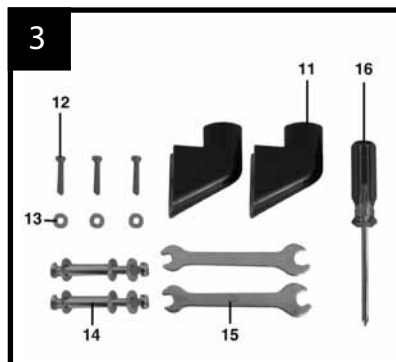
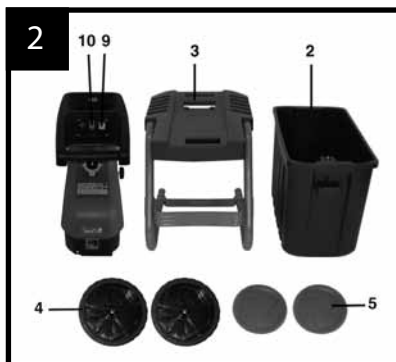
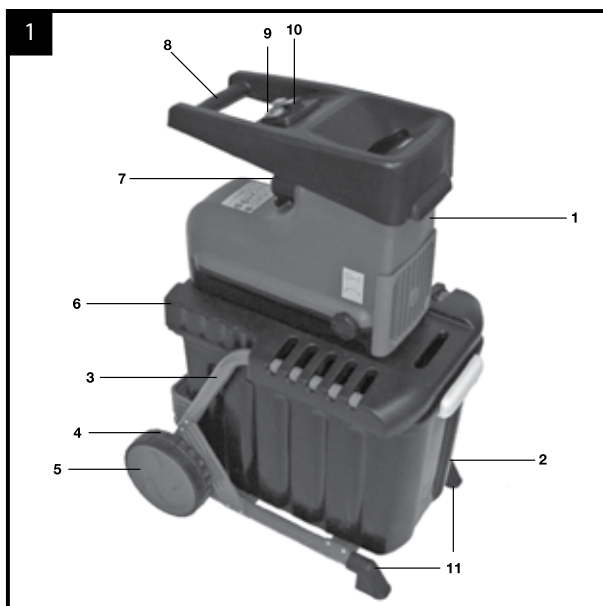


Quick Start Guide for RLH 2540FB Electric Silent Shredder

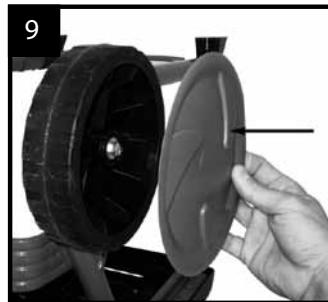
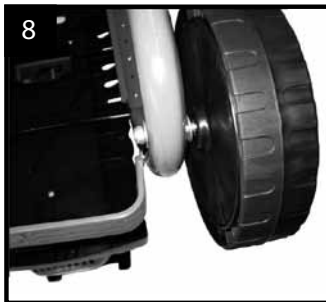
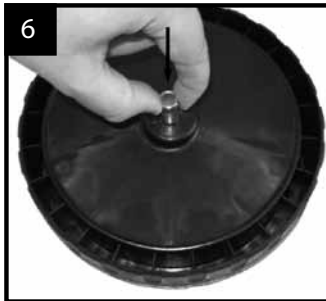
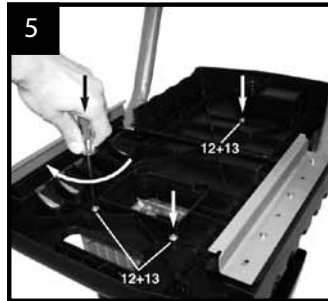
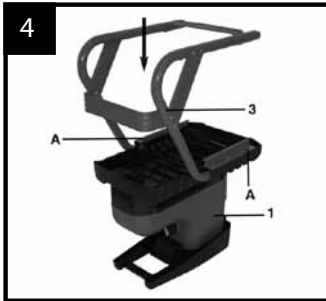
1. Overview

1. Motor unit
2. Shredded material debris box
3. Base frame
4. Wheels
5. Wheel caps
6. Knob for setting the counter blade
7. Power cable connector
8. Transport handle
9. Reverse running switch
10. ON/OFF switch
11. Legs (including fastening screw)
12. 3x screws for fitting the motor unit
13. 3x washers for fitting the motor unit
14. 2x sets of screws for fitting the wheels (including wheel sleeves, washers and nuts)
15. 2x open-ended spanners (10/13 mm)
16. 1x Phillips screwdriver

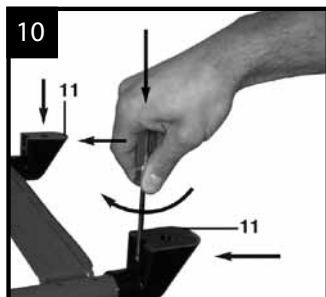


1. Assembly

1. Screw the motor unit (Fig. 4/Item 1) and the base frame (Fig. 4/Item 3) together. Use the screws (Fig. 3/Item 12) and washers (Fig. 3 Item 13) to do so (Fig. 5).
2. Fit the wheels to the base frame. To do so, slide one sleeve each into the hole in each of the wheels (Fig. 6). Then insert one screw with washer through each sleeve (Fig. 7) and screw the wheels to the base frame (Fig. 8). To do so, fit one washer in front of the tubular rod and one behind it. Press the wheel caps onto the wheels (Fig. 9).



3. Fit the legs (Fig. 10/Item 11) to the base frame as shown in Fig. 10.
4. Slide the shredded material debris box into the mount with the safety switch (Fig. 12/Item A) at the front as shown in Fig. 11. Ensure that the shredded material debris box runs above the guide rails (Fig. 4/Item A).
5. Lock the shredded material debris box with safety switch (Fig. 12/Item A) in position by pushing upwards.



2. Operation

Please observe the statutory regulations governing noise abatement during operating times, which may differ from town to town.

Mains connection

Connect the device with an extension lead connected to the integrated power plug (Fig. 13/Item E). Be sure to observe the relevant information in the safety instructions.

ON/OFF switch (Fig. 13/Item B)

- Press the green knob to switch on the shredder.
- Press the red knob to switch it off.

Note: The device has a zero voltage switch. This prevents the device restarting unintentionally after a power failure.

Safety switch (Fig. 12/Item A)

When using the device the shredded material debris box must be securely in position and the safety switch locked as shown in Fig. 12.

Direction selection switch (Fig.13/Item C)

Important! The switch for selecting the direction of rotation can only be moved when the shredder is switched off.

Position “↓”

The material is automatically drawn in by the blade and shredded.

Position “↑”

The blade rotates in the opposite direction to release jammed material. After moving the selector switch to the “↑” position, press and hold the green knob of the ON/OFF switch. The blade will start to rotate in the opposite direction. As soon as you release the ON/OFF switch, the shredder will stop automatically.

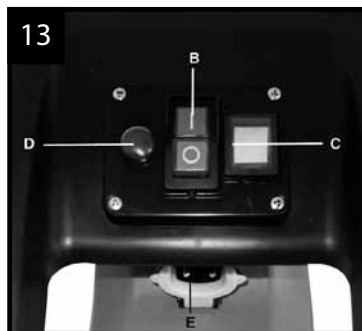
Important! Always wait until the shredder has reached a standstill before you switch it on again.

Large items or pieces of wood will be discharged both in the cutting and in the release direction after the blade has been started and reversed several times.

Motor protection (Fig. 13/Item D)

An overload (for example if the blade is jammed) will cause the machine to cut out after a few seconds. To protect the motor from damage the motor protection switch stops the power supply automatically. Wait for at least one minute before you press the reset knob so that you can restart the machine.

Then press the ON/OFF switch.



If the blade becomes jammed, turn the switch for selecting the direction of rotation to the left to position “↑” before you switch on the shredder again.

Warning - Switch off the machine first and wait for it to come to a complete stop before removing debris. Do not insert your hands or other limbs in these openings.

Important! The material will be crushed, mashed and shredded by the cutting unit, thus accelerating the decomposition process for composting.