



Radial tile cutting machine FSG 2000

Art.-No.: **43.012.51**

Bar code: 4006825506532

Sales unit: 1 pc

The radial tile cutting machine FSG 2000 can be mounted quickly on the serial type support stand and is therefore suitable ideally for mobile as well as stationary service.

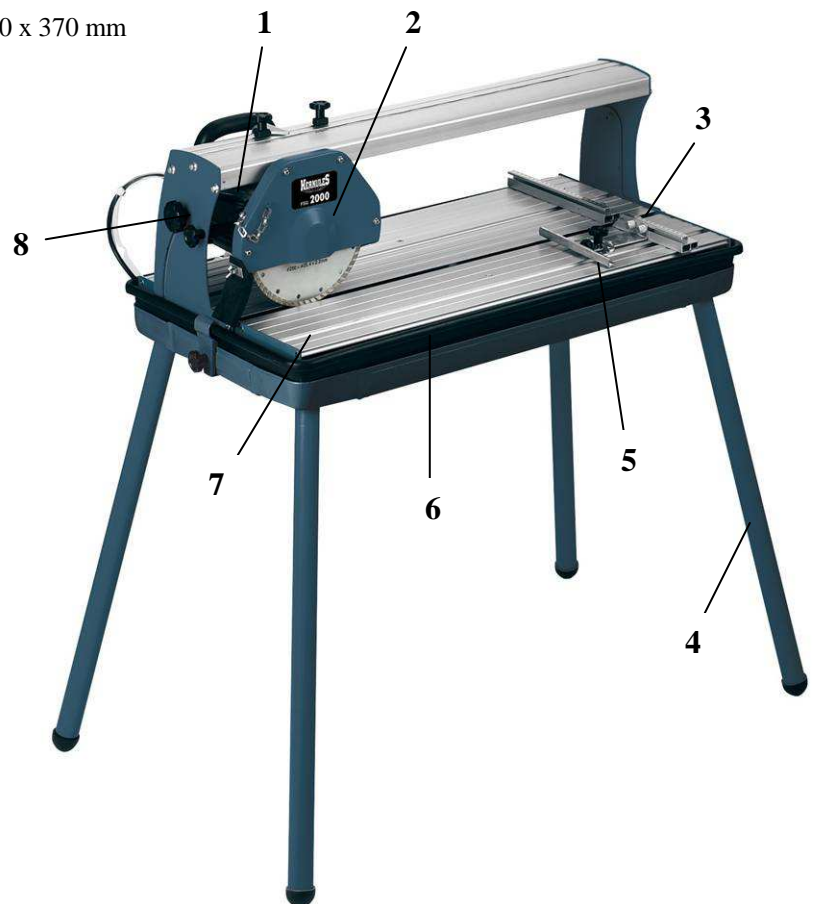
With the unit you can cut wall- and floor tile, split tiles etc. Angle and double mitre cuts are possible and also Jolly cuts. Due to the integrated pump for cooling liquids the diamond cutting disc is optimally cooled and an almost dust free operation is warranted.

Technical data:

- Working table:	790 x 395 mm
- Working height:	700 mm
- 2 -phase motor:	230 V ~ 50 Hz
- Power:	800 watts
- Idle speed n_0 :	2950 min ⁻¹
- Cutting depth max:	90° - 30 mm/45° 25mm
- Cutting length at 15mm thickness:	470 mm
- Cutting length max:	520 mm
- Mitre cut:	0° - 45°
- Size of diamond disc:	Ø 200 x Ø 25.4 mm
- Insulation class:	IP 54
- Weight:	33.4 kg
- Packing dimensions:	890 x 490 x 370 mm

Features:

- Motor slide setting 4-fold on ball bearings (1)
- Sturdy unit housing made of steel (2)
- Aluminium guide rail (3)
- Standard condition base (4)
- Angle stop (5)
- Large water pan (6)
- Aluminium table (7)
- Motor setting from 0° - 45° continuously tiltable (8)
- Integrated water pump



As special accessory available:

Diamond disc
Ø 200 x Ø 25.4 mm

Art.-No.: **43.011.75**
Bar code: 4006825434361

Abbildungen können nicht im Serien-Lieferumfang enthaltenes Zubehör darstellen / Illustrations can contain accessories, which are not included in standard extent of delivery.

Abbildungen ähnlich, produktionsbedingte Abweichung vorbehalten / Illustration similar (in design), production-wise modifications reserved

File: G:\Webshop\T-Produktbeschreibung\60\Originale_Englisch_PA04\4301251_01025.doc

Erstelldatum / create date: 05.01.2006 3:39

Aktualisiert / up dated: 12.01.2006