



LI-ION POWER TOOL SET 5PC

USER GUIDE

Important: retain for future reference - please read carefully.

Now you have purchased a WORKZONE® product you can rest assured in the knowledge that as well as your 3 year parts and labour guarantee you have the added peace of mind of dedicated helplines and web support.

AFTER SALES SUPPORT

 1300 922 271  service.australia@einhell.com

MODEL NO: BT-CK 18 Li, 02/2013

POWER TOOL SET 5PC

What your 3 year warranty means

Great care has gone into the manufacture of these products and they should therefore provide you with years of good service when used properly. In the event of product failure within its intended use over the course of the first 3 year after the date of purchase, we will remedy the problem as quickly as possible once it has been brought to our attention. In the unlikely event of such an occurrence, or if you require any information about the product, please contact us via our after sales support services, details of which can be found in this manual and on the product itself.

Welcome Section

Congratulations on choosing to buy a WORKZONE® product.

All products brought to you by WORKZONE® are manufactured to the highest standards of performance and safety, and, as part of our philosophy of customer service and satisfaction, are backed by our comprehensive 3 Year Warranty.

We hope you will enjoy using your purchase for many years to come.

Table of Contents

| | |
|--|--------|
| 1. General Safety Rules | Pg. 5 |
| 2. Battery Safety Rules | Pg. 6 |
| 3. Charger Operating Instruction | Pg 8 |
| 3.1. Charger Safety Rules | Pg. 9 |
| 3.2. Layout | Pg. 9 |
| 3.3. Technical data | Pg. 9 |
| 3.4. Operation | Pg. 9 |
| 3.5. Cleaning and maintenance | Pg. 10 |
| 3.6. Disposal and recycling | Pg. 10 |
| 4. Cordless Drill Operating Instructions | Pg. 11 |
| 4.1. Cordless Drill Safety Rules | Pg. 13 |
| 4.2. Layout/Items Supplied | Pg. 13 |
| 4.3. Proper Use | Pg. 13 |
| 4.4. Technical data | Pg. 13 |
| 4.5. Before starting the equipment | Pg. 14 |
| 4.6. Operation | Pg. 14 |
| 4.7. Cleaning, maintenance and ordering of spare parts | Pg. 15 |
| 4.8. Disposal and recycling | Pg. 15 |



| | | |
|------|---|--------|
| 4.9 | Storage | Pg. 15 |
| 5. | Cordless Circular Saw Operating Instructions | Pg. 16 |
| 5.1. | Cordless Circular Saw Safety Rules | Pg. 19 |
| 5.2. | Layout/Items Supplied | Pg. 20 |
| 5.3. | Proper Use | Pg. 20 |
| 5.4. | Technical data | Pg. 21 |
| 5.5. | Before starting the equipment | Pg. 21 |
| 5.6. | Operation | Pg. 22 |
| 5.7. | Cleaning, maintenance and ordering of spare parts | Pg. 23 |
| 5.8. | Disposal and recycling | Pg. 23 |
| 5.9 | Storage | Pg. 23 |
| 6. | Cordless Jigsaw Operating Instructions | Pg. 24 |
| 6.1. | Cordless Jigsaw Safety Rules | Pg. 26 |
| 6.2. | Layout/Items Supplied | Pg. 27 |
| 6.3. | Proper Use | Pg. 27 |
| 6.4. | Technical data | Pg. 27 |
| 6.5. | Before starting the equipment | Pg. 28 |
| 6.6. | Operation | Pg. 28 |
| 6.7. | Cleaning, maintenance and ordering of spare parts | Pg. 29 |
| 6.8. | Disposal and recycling | Pg. 30 |
| 6.9 | Storage | Pg. 30 |
| 7. | Cordless Reciprocating Saw Operating Instructions | Pg. 31 |
| 7.1. | Cordless Reciprocating Safety Rules | Pg. 32 |
| 7.2. | Layout/Items Supplied | Pg. 32 |
| 7.3. | Proper Use | Pg. 33 |
| 7.4. | Technical data | Pg. 33 |
| 7.5. | Before starting the equipment | Pg. 33 |
| 7.6. | Operation | Pg. 34 |
| 7.7. | Cleaning, maintenance and ordering of spare parts | Pg. 34 |
| 7.8. | Disposal and recycling | Pg. 34 |
| 7.9 | Storage | Pg. 34 |
| 8. | Cordless Lamp Operating Instructions | Pg. 35 |
| 8.1. | Cordless Lamp Safety Rules | Pg. 37 |
| 8.2. | Layout/Items Supplied | Pg. 37 |
| 8.3. | Technical data | Pg. 37 |
| 8.4. | Before starting the equipment | Pg. 37 |



| | |
|--|--------|
| 8.5. Operation | Pg. 37 |
| 8.6. Cleaning, maintenance and ordering of spare parts | Pg. 37 |
| 8.7. Disposal and recycling | Pg. 38 |
| 8.8. Storage | Pg. 38 |



1. GENERAL SAFETY RULES

WARNING! Read all instructions. Failure to follow all instructions listed below may result in electric shock, fire and/or serious injury. The term "power tool" in all of the warnings listed below refers to your mains-operated (corded) power tool or battery-operated (cordless) power tool.

SAVE THESE INSTRUCTIONS

1. Work area

- Keep work area clean and well lit.** Cluttered and dark areas invite accidents.
- Do not operate power tools in explosive atmospheres, such as in the presence of flammable liquids, gases or dust.** Power tools create sparks which may ignite the dust or fumes.
- Keep children and bystanders away while operating a power tool.** Distractions can cause you to lose control.

2. Electrical safety

- Power tools plugs must match the outlet. Never modify the plug in any way.** Do not use any adapter plugs with earthed (grounded) power tool. Unmodified plugs and matching outlets will reduce risk of electric shock.
- Avoid body contact with earthed or grounded surfaces such as pipes, radiators, ranges and refrigerators.** There is an increased risk of electric shock if your body is earthed or grounded.
- Do not expose power tools to rain or wet conditions.** Water entering a power tool will increase the risk of electric shock.
- Do not abuse the cord. Never use the cord for carrying, pulling or unplugging the power tool. Keep cord away from heat, oil, sharp edges or moving parts.** Damaged or entangled cords increase the risk of electric shock.
- When operating a power tool outdoors, use an extension cord suitable for outdoor use.** Use of a cord suitable for outdoor use reduces the risk of electric shock.
- If operating a power tool in a damp location is unavoidable, use a residual current device (RCD) protected supply.** Use of an RCD reduces the risk of electric shock.

3. Personal safety

- Stay alert, watch what you are doing and use common sense when operating a power tool. Do not use a power tool while you are tired or under the influence of drugs, alcohol or medication.** A moment of inattention while operating power tools may result in serious personal injury.
- Use safety equipment. Always wear eye protection.** Safety equipment such as a dust mask, non-skid safety shoes, hard hat, or hearing protection used for appropriate conditions will reduce the risk of personal injuries.
- Avoid accidental starting. Ensure the switch is in the off-position before plugging in.** Carrying power tools with your finger on the switch or

plugging in power tools that have the switch on invites accidents.

- Remove any adjusting key or wrench before turning the power tool on.** A wrench or a key left attached to rotating part of the power tool may result in personal injury.
- Do not overreach. Keep proper footing and balance at all times.** This enables better control of the power tool in unexpected situations.
- Dress properly. Do not wear loose clothing or jewellery. Keep your hair, clothing and gloves away from moving parts.** Loose clothes, jewellery or long hair can be caught in moving parts.
- If devices are provided for the connection of dust extraction and collection facilities, ensure these are connected and properly used.** Use of these devices can reduce dust-related hazards.

4. Power tool use and care

- Do not force the power tool. Use the correct power tool for your application.** The correct power tool will do the job better and safer at the rate for which it was designed.
- Do not use the power tool if the switch does not turn it on and off.** Any power tool that cannot be controlled with the switch is dangerous and must be repaired.
- Disconnect the plug from the power source and/ or the battery pack from the power tool before making any adjustments, changing accessories, or storing power tools.** Such preventive safety measures reduce the risk of starting the power tool accidentally.
- Store idle power tools out of the reach of children and do not allow persons unfamiliar with the power tool or these instructions to operate the power tool.** Power tools are dangerous in the hands of untrained users.
- Maintain power tools. Check for misalignment or binding of moving parts, breakage of parts and any other condition that may affect the power tools operation. If damaged, have the power tool repaired before use.** Many accidents are caused by poorly maintained power tools.
- Keep cutting tools sharp and clean.** Properly maintained cutting tools with sharp cutting edges are less likely to bind and are easier to control.
- Use the power tool, accessories and tool bits etc. in accordance with these instructions and in the manner intended for the particular type of power tool, taking into account the working conditions and the work to be performed.** Use of the power tool for operations different from those intended could result in a hazardous situation.

5. Service

- Have your power tool serviced by a qualified repair person using only identical replacement parts.** This will ensure that the safety of the power tool is maintained.

6. Recommendation

We recommend that the tool always be supplied via a residual current device with a rated residual current of 30mA or less.



2. BATTERY SAFETY RULES

Battery use and care

a) **Recharge only with the charger specified by the manufacturer.** A charger that is suitable for one type of battery pack may create a risk of fire when used with another battery pack.

b) **Use power tools only with specifically designated battery packs.** Use of any other battery packs may create a risk of injury and fire.

c) **When the battery pack is not in use, keep it away from other metal objects, like paper clips, coins, keys, nails, screws or other small metal objects, that can make a connection from one terminal to another.** Shorting the battery terminals together may cause burns or a fire.

d) **Under abusive conditions, liquid may be ejected from the battery; avoid contact.** If contact accidentally occurs, flush with water. If liquid contacts eyes, seek medical help immediately. Liquid ejected from the battery may cause irritation or burns.

Additional safety instructions

We pay a great deal of attention to the design of every battery pack to ensure that we supply you with batteries which feature maximum power density, durability and safety. The battery cells have a wide range of safety devices. Each individual cell is initially formatted and its electrical characteristic curves are recorded. This data is then used exclusively to be able to assemble the best possible battery packs. **Despite all the safety precautions, caution must always be exercised when handling batteries. The following points must be obeyed at all times to ensure safe use.**

Safe use can only be guaranteed if undamaged cells are used. Incorrect handling can cause cell damage.

Important: Analyses confirm that incorrect use and poor care are the main causes of the damage caused by high performance batteries.

Information about the battery

1. The battery pack supplied with your cordless tool is not charged. The battery pack has to be charged before you use the tool for the first time.
2. For optimum battery performance avoid low discharge cycles. Charge the battery pack frequently.
3. Store the battery pack in a cool place, ideally at 15°C and charged to at least 40%.
4. Lithium-ion batteries are subject to a natural ageing process. The battery pack must be replaced at the latest when its capacity falls to just 80% of its capacity when new. Weakened cells in an aged battery pack are no longer capable of meeting the high power requirements and therefore pose a safety risk.
5. Do not throw battery packs into an open fire. There is a risk of explosion!
6. Do not ignite the battery pack or expose it to fire.

7. **Do not exhaustively discharge batteries.** Exhaustive discharge will damage the battery cells. The most common cause of exhaustive discharge is lengthy storage or non-use of partly discharged batteries. Stop working as soon as the performance of the battery falls noticeably or the electronic protection system triggers. Place the battery pack in storage only after it has been fully charged.
8. **Protect batteries and the tool from overloads.** Overloads will quickly result in overheating and cell damage inside the battery housing without this overheating actually being apparent externally.
9. **Avoid damage and shocks.** Replace batteries which have been dropped from a height of more than one metre or which have been exposed to violent shocks without delay, even if the housing of the battery pack appears to be undamaged. The battery cells inside the battery may have suffered serious damage. In this respect, please also read the waste disposal information.
10. If the battery pack suffers overloading and overheating, the integrated protective cut-off will switch off the equipment for safety reasons. **Important.** Do not press the ON/OFF switch any more if the protective cut-off has actuated. This may damage the battery pack.
11. Use only original battery packs. The use of other batteries may result in injuries, explosion and a fire risk.

Information on chargers and the charging process

1. Please check the data marked on the rating plate of the battery charger. Be sure to connect the battery charger to a power supply with the voltage marked on the rating plate. Never connect it to a different mains voltage.
2. Protect the battery charger and its cable from damage and sharp edges. Have damaged cables repaired without delay by a qualified electrician.
3. Keep the battery charger, batteries and the cordless tool out of children's reach.
4. Do not use damaged battery chargers.
5. Do not use the supplied battery charger to charge other cordless tools.
6. In heavy use the battery pack will become warm. Allow the battery pack to cool to room temperature before commencing with the charging.
7. **Do not over-charge batteries.** Do not exceed the maximum charging times. These charging times only apply to discharged batteries. Frequent insertion of a charged or partly charged battery pack will result in overcharging and cell damage. Do not leave batteries in the charger for days on end.



8. **Never use or charge batteries if you suspect that the last time they were charged was more than 12 months previously.** There is a high probability that the battery pack has already suffered dangerous damage (exhaustive discharge).
9. Charging batteries at a temperature below 10°C will cause chemical damage to the cell and may cause a fire.
10. Do not use batteries which have heated during the charging process, as the battery cells may have suffered dangerous damage.
11. Do not use batteries which have suffered curvature or deformation during the charging process or which show other non-typical symptoms (gassing, hissing, cracking,...)
12. Never fully discharge the battery pack (recommended depth of discharge max. 80%) A complete discharge of the battery pack will lead to premature ageing of the battery cells.
13. Never charge the batteries unsupervised.

Protection from environmental influences

1. Wear suitable work clothes. Wear safety goggles.
2. Protect your cordless tool and the battery charger from moisture and rain. Moisture and rain can cause dangerous cell damage.
3. Do not use the cordless tool or the battery charger near vapors and inflammable liquids.
4. Use the battery charger and cordless tools only in dry conditions and an ambient temperature of 10–40°C.
5. Do not keep the battery charger in places where the temperature is liable to reach over 40°C. In particular, do not leave the battery charger in a car that is parked in the sun.
6. **Protect batteries from overheating.** Overloads, over-charging and exposure to direct sunlight will result in overheating and cell damage. Never charge or work with batteries which have been overheated – replace them immediately if possible.
7. **Storage of batteries, battery chargers and cordless tools.** Store the charger and your cordless tool only in dry places with an ambient temperature of 10–40°C. Store your lithium-ion battery pack in a cool, dry place at a temperature of 10–20°C. Protect them from humidity and direct sunlight. Only place fully charged batteries in storage.
8. Prevent the lithium-ion battery pack from freezing. Battery packs which were stored below 0°C for more than 60 minutes must be disposed of.

9. When handling batteries beware of electrostatic discharge: Electrostatic discharge causes damage of the electronic protection system and the battery cells. Avoid electrostatic discharge by avoiding moist conditions and never touch the battery poles.

Disposal of batteries

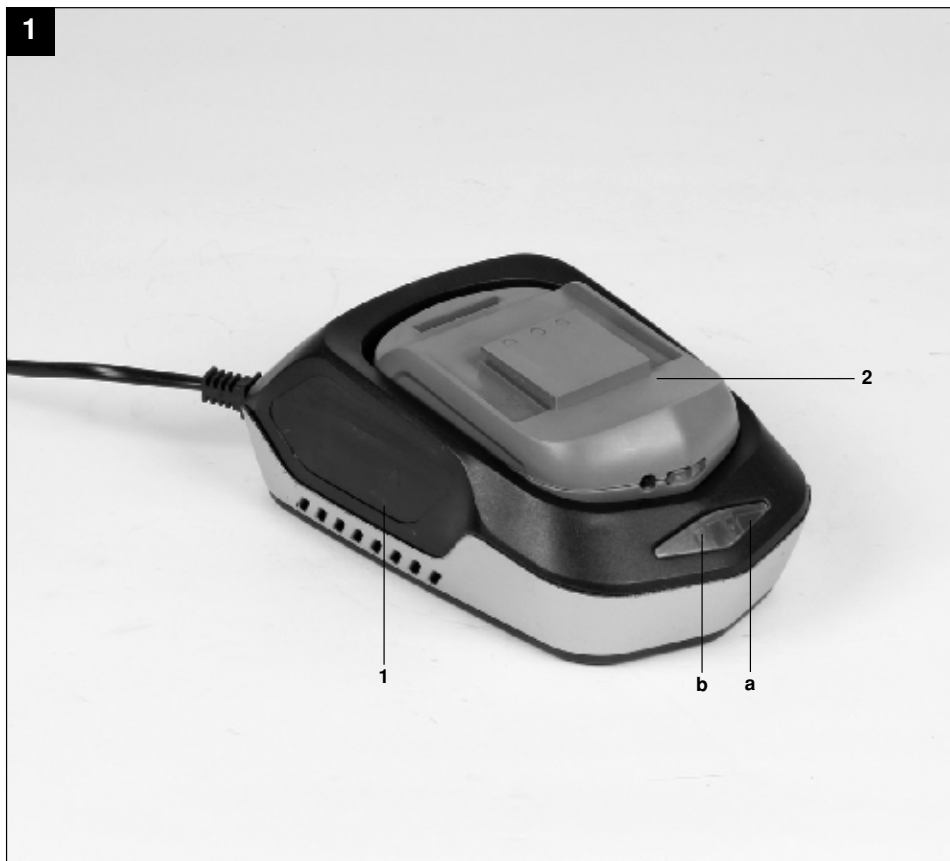
Batteries contain substances harmful to the environment. Never place batteries in your household refuse, in fire or in water. Batteries should be collected, recycled or disposed of in an environmentally friendly way. Seek advice on correct disposal from local waste authorities.



When shipping or disposing of batteries and cordless tools, always ensure that they are packed individually in plastic bags to prevent short circuits and fires.

Do not lose this safety information.

3. CHARGER OPERATING INSTRUCTIONS



8



For use in dry rooms only



Safety Class II



Output connector of the charging unit (direct current): The outer part of the connector is the negative pole and the inner part is the positive pole.



If the temperature of the charging unit rises above 130°C, the overtemperature cut-out will be activated. The supply of current to the output is then interrupted.



Caution – Read the operating instructions to reduce the risk of injury

3.1 CHARGER SAFETY RULES

CAUTION!

Read all safety regulations and instructions.

Any errors made in following the safety regulations and instructions may result in an electric shock, fire and/or serious injury.

Keep all safety regulations and instructions in a safe place for future use.

- The charging unit is not allowed to be used for non-rechargeable, normal batteries.
- Sufficient ventilation is required.
- The current and voltage information on the battery pack must be the same as that on the charging unit.
- Do not expose the charging unit to water or rain.
- Do not throw old or damaged batteries into water or fire. Follow the environmental protection directives.
- A defective or no longer chargeable battery must be treated as special waste. Dispose of it at a special collection point. Do not dispose of it with your normal household waste or throw it into water or fire.
- Place the charging unit away from all sources of heat.
- To reduce the risk of electric shock, pull the power plug out of the socket outlet by the plug itself and not by the cable when you want to disconnect the charging unit from the power supply.
- Do not take the charging unit apart. Take it to an authorized repair center if servicing or repairs are needed. Incorrect assembly can result in an electric shock, fire or even death.
- This equipment is not designed to be used by people (including children) with limited physical, sensory or mental capacities or those with no experience and/or knowledge unless they are supervised by a person who is responsible for their safety or they have received instructions from such a person in how to use the

equipment safely.

- Children must always be supervised in order to ensure that they do not play with the equipment.

3.2 LAYOUT (FIG. 1+3)

- 1 hour charger
- Battery pack
- ON/OFF button for Battery capacity indicator
- Battery capacity indicator

3.3. TECHNICAL DATA

Charging unit:

| | |
|---------|------------------|
| Input: | 240V~50Hz, 50W |
| Output: | 21V d.c., 1800mA |

Lithium-ion battery:

| | |
|------------------|-----------|
| Cell voltage: | 18 Vd.c. |
| Number of cells: | 5 |
| Battery capacity | 1,500 mAh |

3.4 OPERATION (FIG. 1+2)

3.4.1 Charging the Li-Ion battery pack (Fig. 1-2)

- Press the pushlock button (c) and pull the battery pack (2) out of the equipment as shown in Fig. 2.
- Check that your mains voltage is the same as that marked on the rating plate of the battery charger. Insert the power plug of the charger (1) into the mains socket outlet. The green LED (a) will then begin to flash.
- Insert the battery pack into the charger. The red LED (b) will light up to indicate that the battery pack is being charged. When the charging is finished, the green LED (a) will shine with a steady light. Discharged battery packs require approx. 1 hour for charging. The temperature of the battery may rise slightly during the charging. This is normal.

If both LEDs (a, b) flash after the battery pack has been inserted, the battery pack is defective. In this case pull out the charger plug immediately and remove the defective battery pack. Do not use the defective battery pack again. If both LEDs (a, b) light up after the battery pack has been inserted, the charging temperature is either low or too high. In this case, pull out the mains plug of the charger and charge the battery in an environment in which the temperature is either warmer or colder.

If the battery fails to charge, please check

- whether there is voltage at the socket outlet
- whether there is good contact at the charging contacts of the charging unit



If the battery still fails to charge, please call our customer service on 1300 922 271.

Timely recharging of the battery will help it serve you well for a long time. You must recharge the battery when you notice that the power of the cordless product drops.

3.4.2 Battery capacity indicator (Fig. 3/Item 4)

Press the button for the battery capacity indicator (3). The battery capacity indicator (4) indicates the charge state of the battery on 3 colored LEDs.

All LEDs illuminate:

The battery is fully charged.

The yellow and red LED illuminate:

The battery has an adequate remaining charge.

Red LED illuminates:

The battery is empty, recharge the battery.

3.5 CLEANING AND MAINTENANCE

Always pull out the power plug before starting any cleaning work.

The equipment is not allowed to be stored in a damp location or where there are caustic gases. Keep it in a dry place out of the reach of children.

3.5.1 Cleaning

Keep the surface of the equipment clean and wipe it only with a dry cloth.

3.5.2 Maintenance

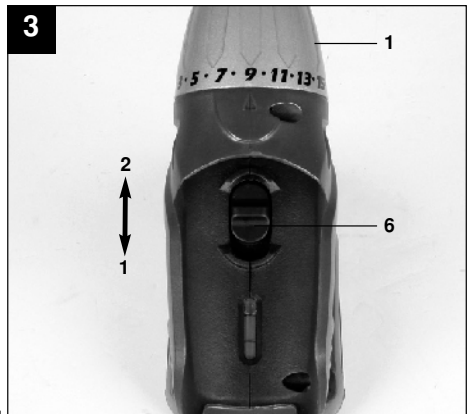
There are no other parts inside the equipment which require maintenance.

The equipment is not allowed to be taken apart. If the equipment is damaged, contact your supplier or the manufacturer.

3.6. DISPOSAL AND RECYCLING

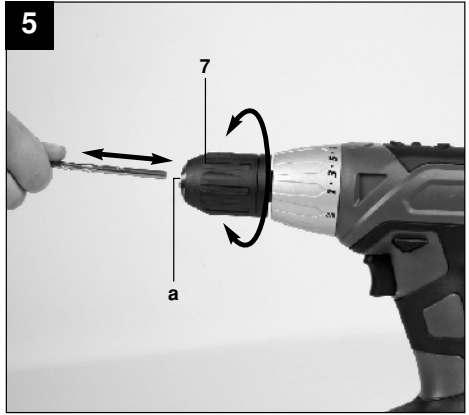
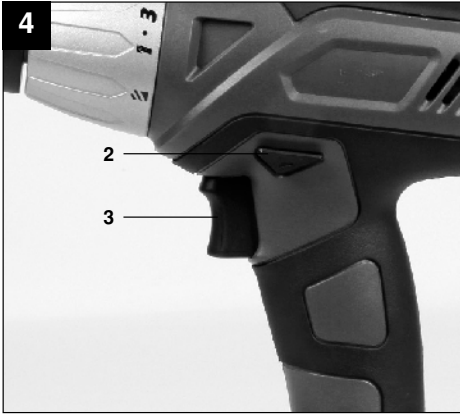
The equipment is supplied in packaging to prevent it from being damaged in transit. The raw materials in this packaging can be reused or recycled. The equipment and its accessories are made of various types of material, such as metal and plastic. Defective components must be disposed of as special waste. Ask your local council.

4. CORDLESS DRILL OPERATING INSTRUCTIONS



11







Caution - Read the operating instructions to reduce the risk of injury



Wear ear-muffs.
The impact of noise can cause damage to hearing.

Wear a breathing mask.



Dust which is injurious to health can be generated when working on wood and other materials.
Never use the device to work on any materials containing asbestos!



Wear Safety goggles.
Sparks generated during working or splinters, chips and dust emitted by the device can cause loss of sight.



Change the gear only when the drill is at a standstill.
If you fail to observe this point, the gearing may be damaged.

4.1. CORDLESS DRILL SAFETY RULES

CAUTION!

Read all safety regulations and instructions.

Any errors made in following the safety regulations and instructions may result in an electric shock, fire and/or serious injury.

Keep all safety regulations and instructions in a safe place for future use.

Hold the equipment by the insulated handles when carrying out work during which the screw or the plug-in tool could strike concealed power cables. Contact with a live cable may also make the metal parts of the equipment live and cause an electric shock.

4.2. LAYOUT / ITEMS SUPPLIED (FIG. 1/2)

4.2.1 Layout

1. Torque selector
2. Forward/Reverse switch
3. ON/OFF switch
4. Battery pack
5. Pushlock button
6. Selector switch for 1st gear to 2nd gear
7. Quick-change drill chuck

4.2.2 Items supplied

- Open the packaging and take out the equipment with care.
- Remove the packaging material and any packaging and/or transportation braces (if available).

- Check to see if all items are supplied.
- Inspect the equipment and accessories for transport damage.
- If possible, please keep the packaging until the end of the guarantee period.

IMPORTANT

The equipment and packaging material are not toys. Do not let children play with plastic bags, foils or small parts. There is a danger of swallowing or suffocating!

- Cordless Drill
- Original operating instructions
- Charger (1 x included in set)
- Battery Pack (2 x included in set)

4.3. PROPER USE

The cordless drill is designed for tightening and undoing screws, as well as for drilling in wood, metal and plastic.

The equipment is to be used only for its prescribed purpose. Any other use is deemed to be a case of misuse. The user / operator and not the manufacturer will be liable for any damage or injuries of any kind caused as a result of this.

Please note that our equipment has not been designed for use in commercial, trade or industrial applications. Our warranty will be voided if the machine is used in commercial, trade or industrial businesses or for equivalent purposes.

4.4. TECHNICAL DATA

| | |
|------------------------------|------------------|
| Voltage supply | 18 V d.c. |
| Idling speed: | 0-400/0-1150 rpm |
| Torque settings: | 25+1 |
| Forward and reverse rotation | yes |
| Chuck capacity | 1-13 mm |
| Weight | 1.2 kg |
| Max. screw diameter: | 6 mm |

Sound and vibration

Sound and vibration values were measured in accordance with EN 60745.

| | |
|-------------------------------|----------|
| L_{pA} sound pressure level | 76 dB(A) |
| K_{pA} uncertainty | 3 dB |
| L_{WA} sound power level | 87 dB(A) |
| K_{WA} uncertainty | 3 dB |

Wear ear-muffs.

The impact of noise can cause damage to hearing.

Total vibration values (vector sum of three directions) determined in accordance with EN 60745.

Drilling in concrete

Vibration emission value $a_n \leq 2.5 \text{ m/s}^2$
K uncertainty = 1.5 m/s^2



Screwing without hammer action

Vibration emission value $a_{rh} \leq 2.5 \text{ m/s}^2$

K uncertainty = 1.5 m/s^2

Additional information for electric power tools

Warning!

The specified vibration value was established in accordance with a standardized testing method. It may change according to how the electric equipment is used and may exceed the specified value in exceptional circumstances.

The specified vibration value can be used to compare the equipment with other electric power tools.

The specified vibration value can be used for initial assessment of a harmful effect.

Keep the noise emissions and vibrations to a minimum.

- Only use appliances which are in perfect working order.
- Service and clean the appliance regularly.
- Adapt your working style to suit the appliance.
- Do not overload the appliance.
- Have the appliance serviced whenever necessary.
- Switch the appliance off when it is not in use.
- Wear protective gloves.

Residual risks

Even if you use this electric power tool in accordance with instructions, certain residual risks cannot be ruled out.

The following hazards may arise in connection with the equipment's construction and layout:

1. Lung damage if no suitable protective dust mask is used.
2. Damage to hearing if no suitable ear protection is used.
3. Health damage caused by hand-arm vibrations if the equipment is used over a prolonged period or is not properly guided and maintained.

4.5 BEFORE STARTING THE EQUIPMENT

Charge the battery pack with the charger supplied. An empty battery pack requires a charging period of approximately 1 hour.

For more details about charging the battery pack please read the operating instructions of the 1-hour charger.

Always remove the battery pack before making adjustments to the equipment.

Mounting and removing the battery pack (Fig. 2/Item 4)

Mounting:

Push the battery pack (4) onto the equipment until it latches in place.

Removing:

Press the pushlock button (5) and pull the battery pack (4) out

of the equipment.

4.6. OPERATION

4.6.1 Torque setting (Fig. 3 / Item 1)

The cordless drill is fitted with a mechanical torque selector.

The torque for a specific size of screw is selected with the torque selector (1). The correct torque depends on several factors:

- on the type and hardness of material in question
- on the type and length screws used
- on the requirements needing to be met by the screwed joint.

The clutch disengages with a grating sound to indicate when the set torque is reached.

Important! The tool must be at a standstill when you set the torque with the setting ring.

4.6.2 Drilling (Fig. 3 / Item 1)

For drilling purposes, move the torque selector (1) to the last step "Drill". In this setting the slip clutch is inactive. The maximum torque is available in drilling mode.

4.6.3 Forward/Reverse switch (Fig. 4 / Item 2)

With the Forward/Reverse switch (2) above the On/Off switch (3) you can select the direction of rotation of the battery-powered drill and secure it against being switched on accidentally. You can choose between clockwise and anticlockwise rotation. To avoid causing damage to the gearing it is advisable to change the direction of rotation only when the tool is at a standstill. The On/Off switch (3) is blocked when the Forward/Reverse switch (2) is in centre position.

4.6.4 On/Off switch (Fig. 4 / Item 3)

Infinitely variable speed control is possible with the On/Off switch (3). The further you press the On/Off switch (3), the higher the speed of the battery powered drill.

4.6.5 Changing the accessory (Fig. 5)

Important. Set the Forward/Reverse switch (2) to its centre position whenever you carry out any work (for example changing the accessory, maintenance work, etc.) on the cordless drill.

- The cordless drill is fitted with a quick change chuck (7) with an automatic spindle stop.
- Open the chuck (7). The chuck opening (a) must be large enough to hold the accessory (drill bit or screwdriver bit).
- Select the suitable accessory. Push the accessory as far as possible into the chuck opening (a).
- Tighten the chuck (7) and then check that the accessory is secure.

4.6.6 Screwdriving

We recommend using self-centering screws (e.g. Torx screws, recessed head screws) designed for reliable working. Be sure

to use a bit that matches the screw in shape and size. Set the torque, as described in section 6.1 in these operating instructions, to suit the size of screw.

4.6.7 Selecting 1st gear to 2nd gear (Fig. 3/Item 6)

By adjusting the selector switch (6), you can work with a faster or slower turning speed. Change the gear only when the drill is at a standstill. If you fail to observe this point, the gearing may be damaged.

4.7. CLEANING, MAINTENANCE AND ORDERING OF SPARE PARTS

Always remove the battery pack before starting any cleaning work!

4.7.1 Cleaning

- Keep all safety devices, air vents and the motor housing free of dirt and dust as far as possible. Wipe the equipment with a clean cloth or blow it with compressed air at low pressure.
- We recommend that you clean the device immediately each time you have finished using it.
- Clean the equipment regularly with a moist cloth and some soft soap. Do not use cleaning agents or solvents; these could attack the plastic parts of the equipment. Ensure that no water can seep into the device.

4.7.2 Maintenance

There are no parts inside the equipment which require additional maintenance.

4.7.3 Ordering spare parts

Contact our After Sales Support on 1300 922 271 and quote the following data when ordering spare parts:

- Type of machine
- Article number of the machine
- Identification number of the machine
- Spare part number of the part required

4.8. DISPOSAL AND RECYCLING

The unit is supplied in packaging to prevent its being damaged in transit. This packaging is raw material and can therefore be reused or can be returned to the raw material system.

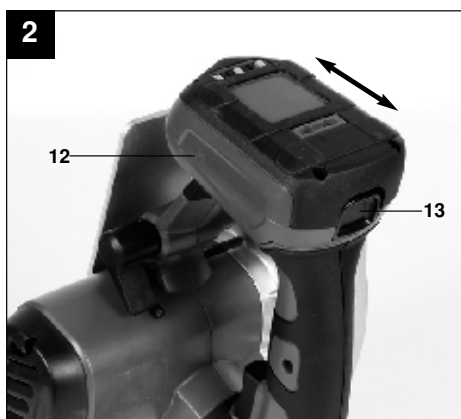
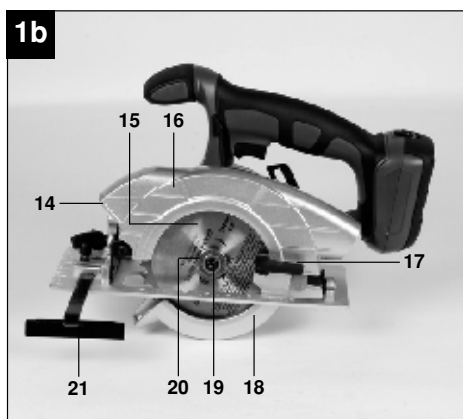
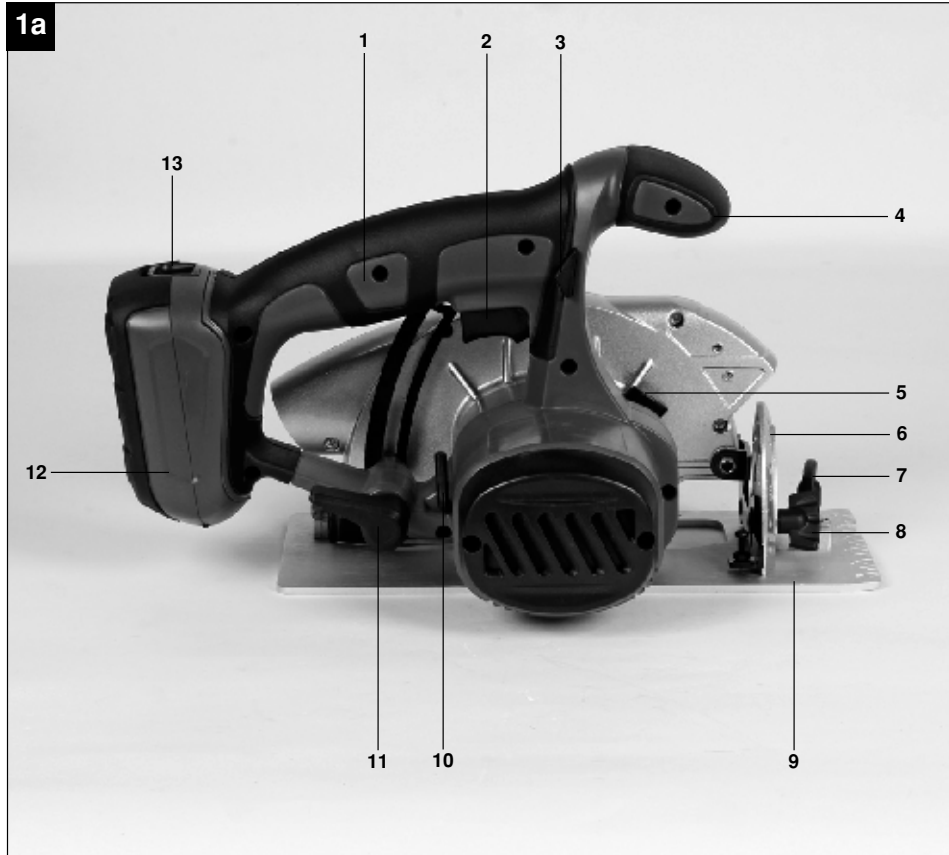
The unit and its accessories are made of various types of material, such as metal and plastic. Defective components must be disposed of as special waste. Ask your local council.

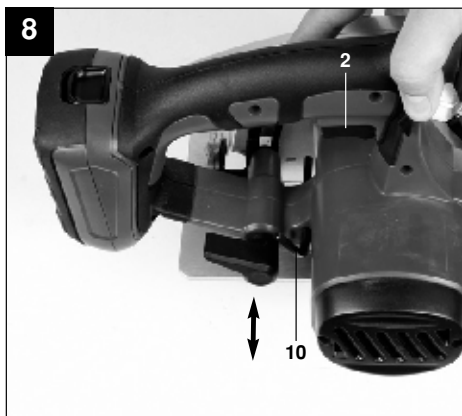
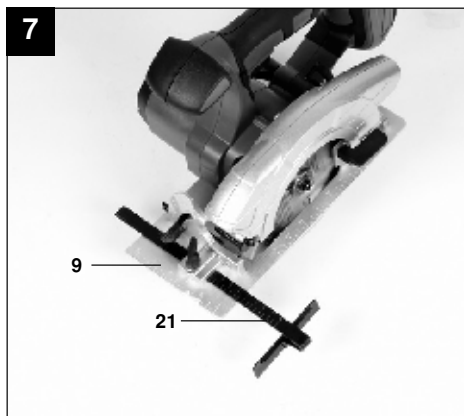
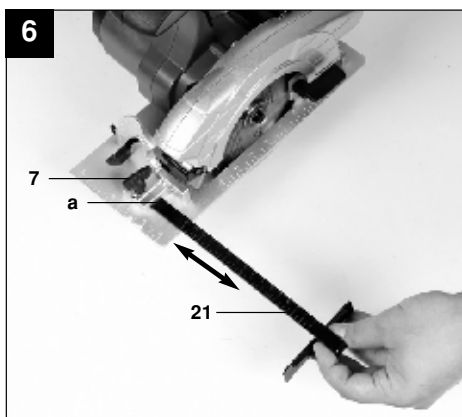
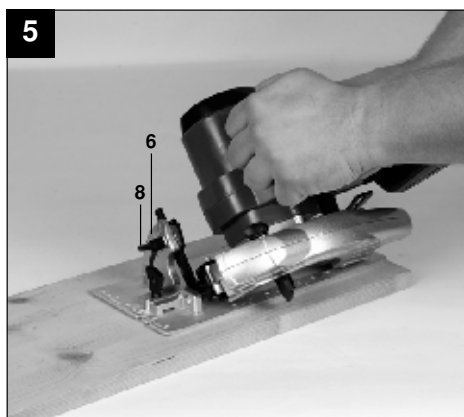
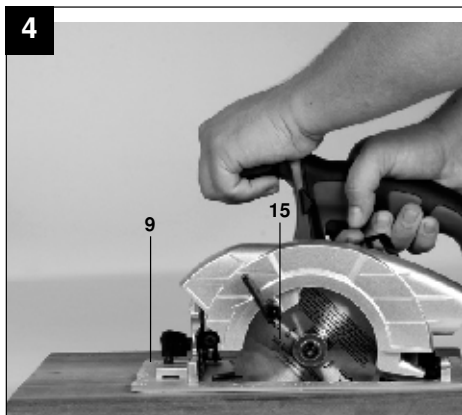
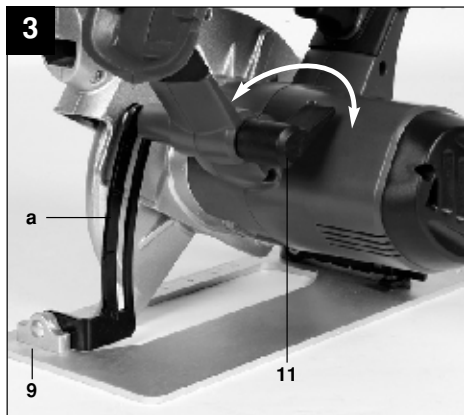
4.9. STORAGE

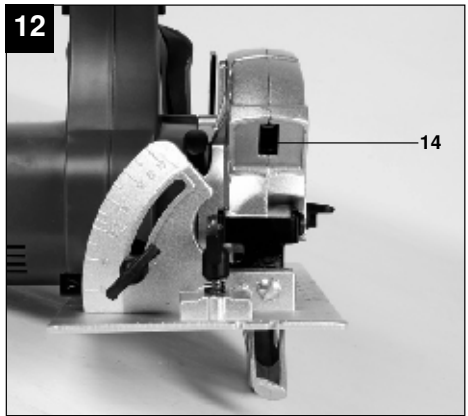
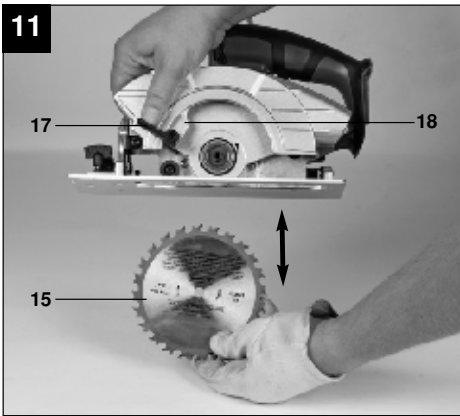
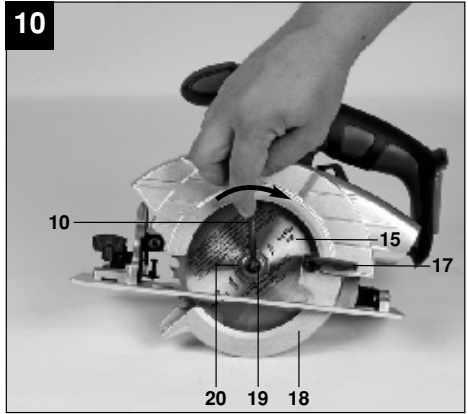
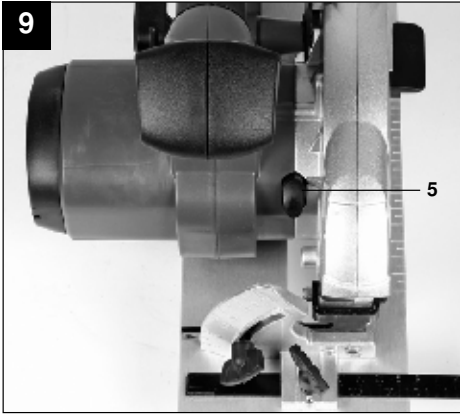
Store the equipment and accessories out of children's reach in

a dark and dry place at above freezing temperature. The ideal storage temperature is between 5 and 30 °C. Store the electric tool in its original packaging.

5. CORDLESS CIRCULAR SAW OPERATING INSTRUCTIONS









Caution - Read the operating instructions to reduce the risk of injury



Wear ear-muffs.
The impact of noise can cause damage to hearing.



Wear a breathing mask.
Dust which is injurious to health can be generated when working on wood and other materials.
Never use the device to work on any materials containing asbestos!



Wear Safety goggles.
Sparks generated during working or splinters, chips and dust emitted by the device can cause loss of sight.

5.1 CORDLESS CIRCULAR SAW SAFETY RULES

CAUTION!

Read all safety regulations and instructions.

Any errors made in following the safety regulations and instructions may result in an electric shock, fire and/or serious injury.

Keep all safety regulations and instructions in a safe place for future use.

Safety instructions for all circular saws

Danger:

a) **Do not reach into the sawing area or touch the saw blade. Hold the additional handle or the motor casing with your other hand.** If you hold the circular saw in both hands, the saw blade cannot injure them.

b) **Do not reach under the workpiece.** The guard hood cannot protect you from the saw blade under the workpiece.

c) **Adjust the cutting depth to the thickness of the workpiece.** Less than one full tooth height should be visible under the workpiece.

d) **Never hold the workpiece you wish to saw in your hand or on your leg.** Secure the workpiece on a sturdy surface. It is important that you secure the workpiece well to minimize the danger of body contact, the saw blade jamming or loss of control.

e) **Hold the appliance only by the insulated handles when carrying out work during which the cutting tool could strike concealed power cables or its own cable.** Contact with a live cable will also make the metal parts of the appliance live and will cause an electric shock.

f) **Always use a stop or a straight edge when carrying out longitudinal cuts.** This will improve your cutting accuracy and reduce the possibility of the saw blade jamming.

g) **Always use saw blades of the correct size and with a suitable mounting hole (diamond shaped or round).** Saw blades that do not match the mounting parts of the saw will not rotate truly and will result in a loss of control.

h) **Never use damaged or incorrect saw blade washers or screws.** The saw blade washers and screws have

been specially designed for your saw to ensure perfect performance and operational safety.

Additional safety instructions for all saws

Causes of and ways to avoid recoil:

- A recoil is the sudden reaction resulting from a caught, jammed or incorrectly aligned saw blade which may result in the saw leaping out of the workpiece out of control and towards the operator.
- If the saw blade becomes caught or jammed in closing saw gap, it will block and the power of the motor will cause the saw to leap backwards towards the operator.
- If the saw blade is twisted or incorrectly aligned in the cut, the teeth in the rear saw blade edge may become caught in the surface of the workpiece, which results in the saw blade leaping out of the saw gap and the saw leaping towards the operator.

A recoil is the result of incorrect or wrong use of the saw. It can be prevented by suitable precautions, as described below.

a) **Hold the saw firmly in both hands and hold your arms in a position in which you can withstand the recoil forces. Always hold the saw blade to one side. Never hold the saw blade in a straight line with your body.** In the event of a recoil the circular saw may leap backwards, but the user can still overcome the recoil forces if he has taken suitable precautions.

b) **If the saw blade jams or the sawing operating is interrupted for another reason, release the ON/OFF switch and hold the saw steady in the workpiece until the saw blade has reached a complete standstill. Never attempt to take the saw out of the workpiece or to pull it backwards whilst the saw blade is moving or there is a possibility of a recoil.** Find the reason for the blade jamming and rectify it by suitable means.

c) **If you wish to restart a saw that is already in the workpiece, center the saw blade in the saw gap and check that the saw's teeth are not caught in the workpiece.** If the saw blade is jammed it may move out of the workpiece or cause a recoil when the saw is restarted.

d) **Support large panels to reduce the risk of a recoil by a jammed saw blade.** Large panels may sag under their own weight. Panels must be supported on both sides both near the saw gap and also at the edge.

e) **Do not use blunt or damaged saw blades.** Saw blades with blunt or incorrectly aligned teeth will create increased friction due to the saw gap being too small. In addition the saw blade may also jam and cause recoil.

f) **Secure the cutting depth and cutting angle settings before starting to saw.** If the settings change as you are sawing, the saw blade may jam and cause recoil.

g) **Be particularly careful when carrying out a "plunge cut" in a concealed area such as an existing wall.** The plunge-cutting saw blade may block when sawing into concealed objects and thus cause recoil.

Safety instructions for saws with a swing guard hood

a) **Check that the bottom safety hood closes perfectly**



before using the appliance. Do not use the saw if the bottom safety hood does not move freely and does not close immediately. Never clamp or tie the bottom guard hood in open position. If you drop the saw by accident the bottom guard hood may become bent. Open the safety hood with the lever and ensure that it moves freely and will not come into contact with the saw blade or other parts regardless of the cutting angle and depth.

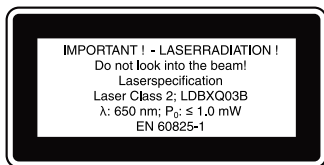
b) Check the function of the spring on the bottom safety hood. Have the appliance serviced before you use it if the bottom safety hood and spring are not in perfect working order. Damaged parts, sticky deposits or accumulations of chips will result in the bottom guard hood working with a delay.

c) Open the bottom safety hood by hand only for special cuts, such as "immersion and angle cuts". Open the bottom safety hood using the lever and release the lever again as soon as the saw blade has engaged in the workpiece. The bottom safety hood must operate automatically for all other sawing work.

d) Do not place the saw on a workbench or on the floor unless the bottom guard hood is covering the blade. An unprotected, moving saw blade will cause the saw to move opposite to the sawing direction and saw through anything in its way. Remember that the saw takes a little time to slow down and stop.



Important: Laser radiation
Do not look into the beam
Laser class 2



Protect yourself and your environment from accidents by taking the appropriate precautionary measures.

- Never look directly into the laser path.
- Never direct the laser beam at reflecting surfaces or persons or animals. Even a low output laser beam can inflict injury on the eye.
- Caution: It is vital to follow the work procedures described in these instructions. Using the equipment in any other way may result in hazardous exposure to laser radiation.
- Never open the laser module.

5.2. LAYOUT / ITEMS SUPPLIED (FIG. 1A/1B)

5.2.1 Layout

1. Handle
2. ON/OFF switch

3. Locking button for ON/OFF switch
4. Additional handle
5. Spindle lock
6. Scale for mitre angle
7. Locking lever for parallel stop
8. Locking lever for mitre setting
9. Soleplate
10. Allen key
11. Locking lever for cutting depth setting
12. Battery pack
13. Pushlock button
14. Laser
15. Saw blade
16. Guard hood
17. Lever for opening the swing guard hood
18. Swing guard hood
19. Screw for securing the saw blade
20. Flange
21. Parallel stop

5.2.2 Items supplied

- Open the packaging and take out the equipment with care.
- Remove the packaging material and any packaging and/or transportation braces (if available).
- Check to see if all items are supplied.
- Inspect the equipment and accessories for transport damage.
- If possible, please keep the packaging until the end of the guarantee period.

IMPORTANT

The equipment and packaging material are not toys. Do not let children play with plastic bags, foils or small parts. There is a danger of swallowing or suffocating!

- Cordless Circular Saw
- Saw blade
- Parallel stop
- Allen key
- Original operating instructions
- Charger (1 x included in set)
- Battery Pack (2 x included in set)

5.3. PROPER USE

The hand-held circular saw is designed for sawing straight cuts in wood, wood-type materials and plastics.

The equipment is to be used only for its prescribed purpose. Any other use is deemed to be a case of misuse. The user / operator and not the manufacturer will be liable for any damage or injuries of any kind caused as a result of this.

Please note that our equipment has not been designed for use in commercial, trade or industrial applications. Our warranty will be voided if the machine is used in commercial, trade or industrial businesses or for equivalent purposes.

5.4. TECHNICAL DATA

| | |
|-----------------------|----------|
| Voltage supply: | 18V d.c. |
| Idling speed: | 3600 rpm |
| Cutting depth at 90°: | 41mm |
| Cutting depth at 45°: | 25mm |
| Saw blade: | Ø 138mm |
| Blade holder: | Ø 10mm |
| Blade thickness: | 1.2 mm |
| Weight: | 2.5 kg |

Sound and vibration

Sound and vibration values were measured in accordance with EN 60745.

| | |
|-------------------------------|----------|
| L_{pA} sound pressure level | 83 dB(A) |
| K_{pA} uncertainty | 3 dB |
| L_{WA} sound power level | 94 dB(A) |
| K_{WA} uncertainty | 3 dB |

Wear ear-muffs.

The impact of noise can cause damage to hearing. Total vibration values (vector sum of three directions) determined in accordance with EN 60745.

Handle

Vibration emission value $a_h = 10.749 \text{ m/s}^2$

K uncertainty = 1.5 m/s^2

Additional handle

Vibration emission value $a_h = 8.259 \text{ m/s}^2$

K uncertainty = 1.5 m/s^2

Additional information for electric power tools

Warning!

The specified vibration value was established in accordance with a standardized testing method. It may change according to how the electric equipment is used and may exceed the specified value in exceptional circumstances.

The specified vibration value can be used to compare the equipment with other electric power tools.

The specified vibration value can be used for initial assessment of a harmful effect.

Keep the noise emissions and vibrations to a minimum.

- Only use appliances which are in perfect working order.
- Service and clean the appliance regularly.
- Adapt your working style to suit the appliance.
- Do not overload the appliance.

- Have the appliance serviced whenever necessary.
- Switch the appliance off when it is not in use.
- Wear protective gloves.

Residual risks

Even if you use this electric power tool in accordance with instructions, certain residual risks cannot be ruled out.

The following hazards may arise in connection with the equipment's construction and layout:

1. Lung damage if no suitable protective dust mask is used.
2. Damage to hearing if no suitable ear protection is used.
3. Health damage caused by hand-arm vibrations if the equipment is used over a prolonged period or is not properly guided and maintained.

5.5. BEFORE STARTING THE EQUIPMENT

Charge the battery pack with the charger supplied. An empty battery pack requires a charging period of approximately 1 hour.

For more details about charging the battery pack please read the operating instructions of the 1-hour charger.

Always remove the battery pack before making adjustments to the equipment.

5.5.1 Mounting and removing the battery pack (Fig. 2/Item 12)

Mounting:

Push the battery pack (12) onto the equipment until it latches in place.

Removing:

Press the pushlock button (13) and pull the battery pack (12) out of the equipment.

5.5.2 Setting the cutting depth (Figure 3)

- Release the lever on the rear of the guard hood for adjusting the cutting depth (11).
- Place the soleplate (9) flat on the surface of the workpiece you wish to saw. Raise the saw until the saw blade (15) is at the required cutting depth (a).
- Refasten the lever for adjusting the cutting depth (11). Check the lever is securely fastened.

5.5.3 Miter stop (Figure 4/5)

- The preset standard angle between the soleplate (9) and saw blade (15) is 90°. You can adjust this angle to carry out angled cuts.
- Release the locking lever for miter setting (8) on the front of the soleplate (9).
- You can now adjust the cutting angle to around 45°. Keep an eye on the cutting angle scale (6) as you do so.
- Refasten the locking lever for miter setting (8). Check the

lever is securely fastened.

5.5.4 Parallel stop (Figure 6/7)

- The parallel stop (21) enables you to saw parallel lines.
- Loosen the locking lever for the parallel stop (7) on the soleplate (9).
- To assemble, slide the parallel stop (21) into the guide (a) on the soleplate (9) (see Figure 6)
- Set the required spacing and then tighten the locking lever (7) again.
- Using the parallel stop: Position the parallel stop (21) flat on the edge of the workpiece and start the cut.

Important! Carry out a trial cut in a piece of waste wood

5.6. OPERATION

Important. For safety reasons the hand-held circular saw must not be operated with the Allen key (10) inserted in it.

5.6.1 Working with the hand-held circular saw

Important. Always remove the battery pack before doing any work on the circular saw!

- Always hold the circular saw firmly.
- The swing guard hood (18) is pushed back automatically by the workpiece.
- Do not use force! Push forwards gently and evenly with the circular saw.
- The work piece should be on the left-hand side of the circular saw so that the wide section of the support bench supports its full area.
- If you are sawing down a line that has been drawn, guide the circular saw along the corresponding notch.
- Clamp small pieces of wood securely before sawing them. Never hold them with your hand.
- Always follow the safety instructions. Wear safety goggles.
- Do not use defective saw blades or blades that are cracked or broken.
- Do not use any flanges / flange nuts whose bore hole is larger or smaller than those in the saw blade.
- The saw blade must not be decelerated by hand or by applying lateral pressure to the blade.
- The swing guard hood must not jam and must return to its initial position after the operation has been completed.
- Before you use the circular saw, check the function of the swing guard hood with the battery disconnected.
- Before you use the machine, ensure that the safety equipment such as the swing guard hood, flanges and adjustment devices are in working order and are correctly adjusted and secure.
- The moving swing guard hood must not be fixed in the retracted guard hood when the saw is in use.

5.6.2 Using the circular saw (Fig. 1a)

- Adjust the cutting depth, cutting angle and parallel stop (see section 5.2, 5.3 and 5.4)
- Ensure that the ON/OFF switch (2) is not depressed. Push on the battery pack.
- Do not switch on the circular saw until you have fitted a saw blade.
- Place the soleplate (9) flat on the workpiece you wish to saw. The saw blade must not be in contact with the workpiece.
- Hold the circular saw firmly with both hands.

5.6.3 Switching ON/OFF (Fig. 1)

To switch on:

Press the locking button (3) and the ON/OFF switch (2) at the same time

- Allow the saw blade to accelerate until it reaches full speed. Then slowly move the saw blade along the cutting line. Only exert gentle pressure on the saw blade as you do so.

To switch off:

Release the locking button (3) and ON/OFF switch (2)

- If you release the ON/OFF switch (2) the equipment will shut down automatically which means that it cannot operate accidentally.
- Ensure that you do not cover or block the ventilation openings whilst working with the tool.
- Do not slow down the saw blade after you switch it off by pressing it sideways.
- **Important!** Do not put down the machine until the saw blade has reached a complete standstill.

Important. Carry out a trial cut in a piece of waste wood

5.6.4 Changing the saw blade (Fig. 8-11)

Important. Always remove the battery pack before doing any work on the circular saw!

- Only use saw blades of the same type as the saw blade supplied with this circular saw. Ask your dealer for advice.
- To change the saw blade (15), use the Allen key (10) supplied with the equipment. The Allen key (10) is stored in the equipment housing. Pull the Allen key (10) out of the housing when you need it. (See Fig. 8)
- Push back and secure the moving swing guard hood (18) using the lever for the swing guard hood (17).
- Undo the screw to secure the saw blade (19) using the Allen key (10).
- Remove the flange (20) and the saw blade (15) in a downwards direction.
- Clean the flange (20) and insert the new saw blade. Pay attention to the running direction (see arrow on the guard hood and saw blade).
- Tighten the screw to secure the saw blade (19), check it

runs smooth.

- Before you press the On/Off switch (2), make sure that the saw blade is correctly fitted and that moving parts run smoothly and the clamping screws are tightened securely.

storage temperature is between 5 and 30 °C. Store the electric tool in its original packaging.

5.6.5 Using the laser (Fig. 12 / Item 14)

The laser (14) switches on automatically when the On/Off switch (2) is pressed.

5.7. CLEANING, MAINTENANCE AND ORDERING OF SPARE PARTS

Always remove the battery pack before starting any cleaning work!

5.7.1 Cleaning

Keep all safety devices, air vents and the motor housing free of dirt and dust as far as possible. Wipe the equipment with a clean cloth or blow it with compressed air at low pressure.

We recommend that you clean the device immediately each time you have finished using it. Clean the equipment regularly with a moist cloth and some soft soap. Do not use cleaning agents or solvents; these could attack the plastic parts of the equipment. Ensure that no water can seep into the device.

5.7.2 Maintenance

There are no parts inside the equipment which require additional maintenance.

5.7.3 Ordering spare parts

Please contact our After Sales Support on 1300 922 271 and quote the following data when ordering spare parts:

- Type of machine
- Article number of the machine
- Identification number of the machine
- Spare part number of the part required

5.8. DISPOSAL AND RECYCLING

The unit is supplied in packaging to prevent its being damaged in transit. This packaging is raw material and can therefore be reused or can be returned to the raw material system.

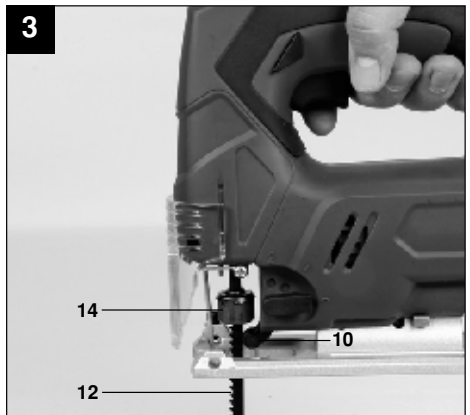
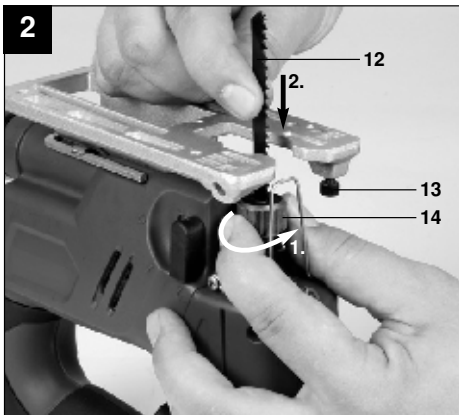
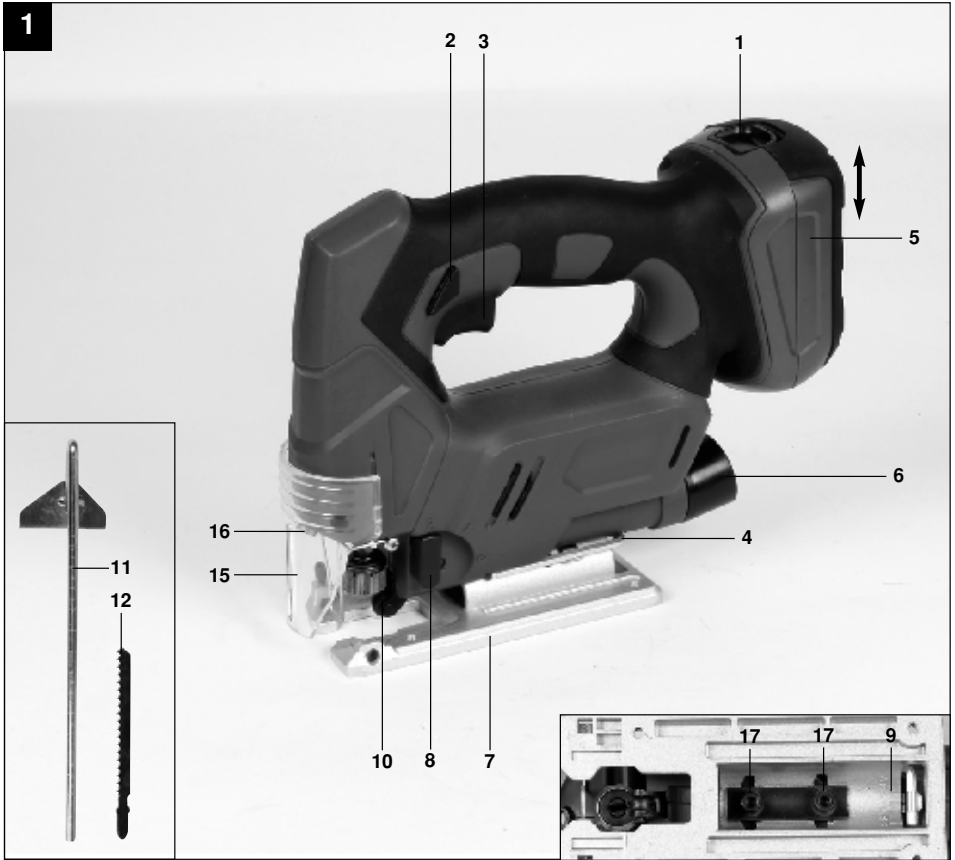
The unit and its accessories are made of various types of material, such as metal and plastic.

Defective components must be disposed of as special waste. Ask your local council.

5.9. STORAGE

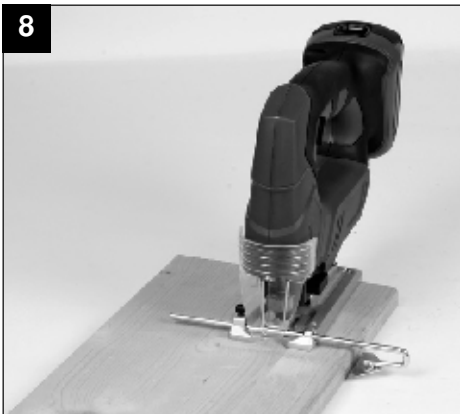
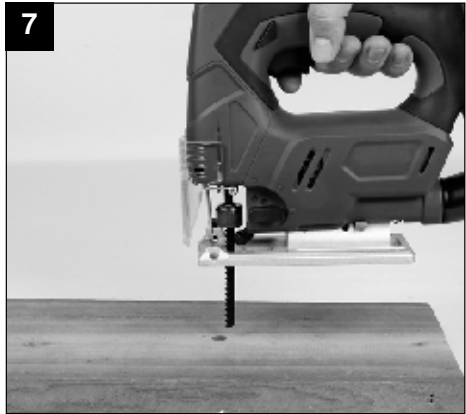
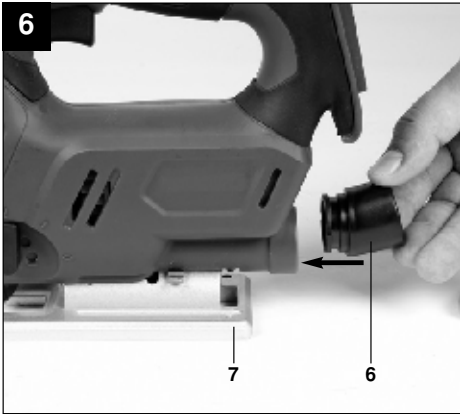
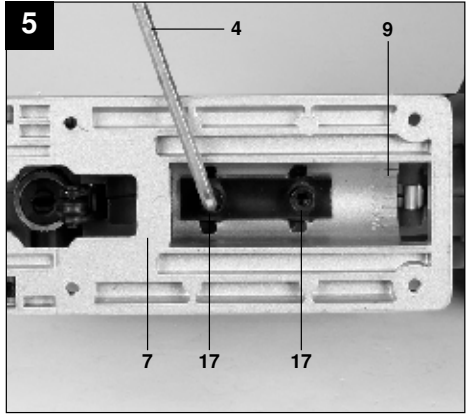
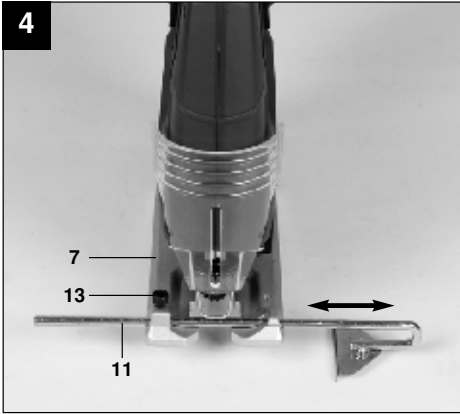
Store the equipment and accessories out of children's reach in a dark and dry place at above freezing temperature. The ideal

6. CORDLESS JIGSAW OPERATING INSTRUCTIONS



24







Caution - Read the operating instructions to reduce the risk of injury



Wear ear-muffs.
The impact of noise can cause damage to hearing.

Wear a breathing mask.



Dust which is injurious to health can be generated when working on wood and other materials.
Never use the device to work on any materials containing asbestos!



Wear Safety goggles.
Sparks generated during working or splinters, chips and dust emitted by the device can cause loss of sight.

6.1. CORDLESS JIGSAW SAFETY RULES

CAUTION!

Read all safety regulations and instructions.

Any errors made in following the safety regulations and instructions may result in an electric shock, fire and/or serious injury.

Keep all safety regulations and instructions in a safe place for future use.

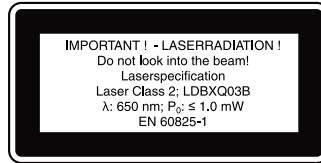
- Always check the saw, the power cable and the plug before use. Only ever use the saw if it is in perfect, undamaged condition. Damaged parts have to be repaired or replaced immediately by a qualified electrician.
- Always remove the battery pack before carrying out any work on the saw, before changing the blade and in periods of non-use.
- Keep the saw in a safe place and out of the reach of children.
- Always wear goggles, safety gloves and ear muffs when sawing. Wear a breathing mask on dusty jobs.
- Never leave any keys or adjustment spanners in position on the saw. Before switching on, check that all keys and adjustment spanners have been removed.
- Secure the workpiece (with a clamp) so that it cannot slip.
- **It is prohibited to use the saw on asbestos materials.** Please note the accident prevention regulations in force in your country.
- Use only original spare parts. Repairs are to be carried out by qualified electricians only.
- The level of noise at the workplace may exceed 85 dB(A). In this case you will need to introduce noise protection measures for the user.
- Make sure of your footing. Avoid abnormal working positions.
- Keep your electric tool out of the rain. Never use electric tools in wet or damp conditions, and never use them near

inflammable liquids.

- Keep your workplace tidy.
- Make sure the power switch is off before inserting the battery pack.
- Wear suitable clothing. Never wear loose-fitting clothes or jewelry. Use a hair-net on long hair.
- For your own safety, use only the manufacturer's accessories and attachments.
- Use only sharp saw blades that are in perfect condition. Replace bent and cracked saw blades immediately.
- After switching off the saw, do not press against the side of the blade to bring it to a halt.
- Always cut at a steady rate of progress. This will prevent accidents and prolong the life of your saw and the blade.
- Use only a damp cloth to clean your saw. Do not use any aggressive agents for cleaning purposes.
- Check your saw to ensure that it is in good working order. If the saw fails to work properly, have it checked. Leave all maintenance and inspection work strictly to a qualified electrician or call our customer service on 1300 922 271.
- **Check the fastening screws**
- Check the fastening screws regularly and make sure that they are all securely tightened. Tighten any loose screws immediately, otherwise there is the risk of serious injuries.
- **Hold the equipment by the insulated handles when carrying out work during which the plug-in tool could strike concealed power cables or its own mains lead.**



Important: Laser radiation
Do not look into the beam
Laser class 2



Contact with a live cable can also make the metal parts of the equipment live and will cause an electric shock.

Protect yourself and your environment from accidents by taking the appropriate precautionary measures.

- Never look directly into the laser path.
- Never direct the laser beam at reflecting surfaces or persons or animals. Even a low output laser beam can inflict injury on the eye.
- Caution: It is vital to follow the work procedures described in these instructions. Using the equipment in any other way may result in hazardous exposure to laser radiation.



- Never open the laser module.

6.2. LAYOUT / ITEMS SUPPLIED (FIG. 1/2)

6.2.1 Layout

1. Pushlock button
2. Locking button for ON/OFF switch
3. ON/OFF switch
4. Allen key
5. Battery Pack
6. Adapter for dust extraction system
7. Adjustable soleplate
8. Selector switch for pendulum action
9. Dial scale for soleplate
10. Guide roller
11. Parallel stop
12. Saw blade
13. Locking screws for parallel stop
14. Blade holder
15. Safety guard
16. Laser
17. Screw for soleplate

6.2.2 Items supplied

- Open the packaging and take out the equipment with care.
- Remove the packaging material and any packaging and/or transportation braces (if available).
- Check to see if all items are supplied.
- Inspect the equipment and accessories for transport damage.
- If possible, please keep the packaging until the end of the guarantee period.

IMPORTANT

The equipment and packaging material are not toys. Do not let children play with plastic bags, foils or small parts. There is a danger of swallowing or suffocating!

- Cordless jigsaw
- Allen key
- Adapter for dust extraction system
- Parallel stop
- Saw blade
- Original operating instructions
- Charger (1 x included in set)
- Battery Pack (2 x included in set)

6.3. PROPER USE

The jigsaw is designed for sawing wood, iron, nonferrous metals and plastics using the appropriate saw blades.

The equipment is to be used only for its prescribed purpose. Any other use is deemed to be a case of misuse. The user / operator and not the manufacturer will be liable for any damage or injuries of any kind caused as a result of this.

Please note that our equipment has not been designed for use in commercial, trade or industrial applications. Our warranty will be voided if the machine is used in commercial, trade or industrial businesses or for equivalent purposes.

6.4. TECHNICAL DATA

| | |
|-------------------------|----------------------------|
| Voltage supply: | 18V d.c. |
| Stroke speed: | 0-3000 rpm |
| Stroke height: | 18mm |
| Cutting depth, wood: | 56mm |
| Cutting depth, plastic: | 18mm |
| Cutting depth, iron: | 8mm |
| Miter cut: | up to 45° (left and right) |
| Weight: | 1.6 kg |

Sound and vibration

Sound and vibration values were measured in accordance with EN 60745.

| | |
|-------------------------------|-----------|
| L_{pA} sound pressure level | 89 dB(A) |
| K_{pA} uncertainty | 3 dB |
| L_{WA} sound power level | 100 dB(A) |
| K_{WA} uncertainty | 3 dB |

Wear ear-muffs.

The impact of noise can cause damage to hearing.

Total vibration values (vector sum of three directions) determined in accordance with EN 60745.

Sawing wood

Vibration emission value $a_h = 11.628 \text{ m/s}^2$

K uncertainty = 1.5 m/s^2

Sawing metal

Vibration emission value $a_h = 11.376 \text{ m/s}^2$

K uncertainty = 1.5 m/s^2

Additional information for electric power tools

Warning!

The specified vibration value was established in accordance with a standardized testing method. It may change according to how the electric equipment is used and may exceed the specified value in exceptional circumstances.

The specified vibration value can be used to compare the equipment with other electric power tools.

The specified vibration value can be used for initial assessment of a harmful effect.

Keep the noise emissions and vibrations to a minimum.

- Only use appliances which are in perfect working order.
- Service and clean the appliance regularly.
- Adapt your working style to suit the appliance.
- Do not overload the appliance.
- Have the appliance serviced whenever necessary.
- Switch the appliance off when it is not in use.
- Wear protective gloves.

Residual risks

Even if you use this electric power tool in accordance with instructions, certain residual risks cannot be ruled out. The following hazards may arise in connection with the equipment's construction and layout:

1. Lung damage if no suitable protective dust mask is used.
2. Damage to hearing if no suitable ear protection is used.
3. Health damage caused by hand-arm vibrations if the equipment is used over a prolonged period or is not properly guided and maintained.

6.5. BEFORE STARTING THE EQUIPMENT

Charge the battery pack with the charger supplied. An empty battery pack requires a charging period of approximately 1 hour.

For more details about charging the battery pack please read the operating instructions of the 1-hour charger.

Always remove the battery pack before making adjustments to the equipment.

6.5.1 Mounting and removing the battery pack (Fig. 1/Item 5)

Mounting:

Push the battery pack (5) onto the equipment until it latches in place.

Removing:

Press the pushlock button (1) and pull the battery pack (5) out of the equipment.

6.5.2 Safety guard (Fig. 1/Item 15)

- The safety guard (15) protects the user from accidentally touching the saw blade (12) and nevertheless enables you a free view of the cutting area.
- The safety guard (15) must always be fitted when carrying out cutting work.

6.5.3 Changing the saw blade (Figs. 2-3/Item 12)

Important!

- You can fit or replace saw blades without using any other tools.
- Remove the battery pack before you fit or replace a saw

blade.

- Set the selector switch for pendulum action (8) to position 2.
- The teeth of the saw blade are very sharp!
- Turn the blade holder (14) and insert the blade (12) into the holder (14) as far as the stop (Fig. 2). The teeth on the saw blade must be pointing forwards.
- Allow the blade holder (14) to slide back to starting position. The saw blade (12) must sit in the guide roller (10) (Figure 3).
- Check that the saw blade (12) is securely mounted in the blade holder.
- Follow the instructions above in reverse order to remove the saw blade.

6.5.4 Installing the parallel stop (Fig. 4/Item 11)

- The parallel stop (11) enables you to saw parallel cuts.
- Loosen the locking screw (13) on the soleplate (7).
- Now slide the parallel stop (11) into the guides on the soleplate (7). You can fit the parallel stop (11) on either the left or right of the equipment.
- The guide strip must always face downwards. Set the required distance using the measurement scale on the parallel stop (11) and retighten the locking screw (13).

6.5.5 Setting the soleplate for miter cuts (Fig 5)

- Use the Allen key (4) to loosen the screws for the soleplate (17) on the bottom of the adjustable soleplate (7) (Figure 5).
- Pull the soleplate (7) slightly forward. The soleplate can now be swiveled a maximum 45° to the left and right.
- Move the soleplate into the required position and refasten the screw securing the soleplate (17).

6.5.6 Adapter for dust extraction system (Fig. 6/Item 6)

- Connect your jigsaw to a vacuum cleaner using the adaptor for dust extraction (6). This will provide excellent dust extraction on the workpiece. The benefits are that you will protect both the equipment and your own health. Your work area will also be cleaner and safer.
- Dust created when working may be dangerous. Refer to the section entitled "Safety instructions".
- Attach the adaptor (6) as shown in Fig. 6, so that it is securely seated in the housing.
- Fit the vacuum tube of the vacuum cleaner onto the adaptor opening (6). Check that the connections are airtight.

6.6. OPERATION

6.6.1 ON/OFF switch (Fig.1 /Item 3)

To switch on:

Press the locking button (2) and the ON/OFF switch (3) at the

same time

- Allow the saw blade to accelerate until it reaches full speed. Then slowly move the saw blade along the cutting line. Only exert gentle pressure on the saw blade as you do so.

To switch off:

Release the locking button (2) and ON/OFF switch (3)

- If you release the ON/OFF switch (3) the equipment will shut down automatically which means that it cannot operate accidentally.
- Ensure that you do not cover or block the ventilation openings whilst working with the tool.
- Do not slow down the saw blade after you switch it off by pressing it sideways.
- Important! Do not put down the machine until the saw blade has reached a complete standstill.

Important. Carry out a trial cut in a piece of waste wood

6.6.2 Setting the pendulum action (Fig. 1/Item 8)

- The strength of the pendulum action of the saw blade (12) can be adjusted using the selector switch for pendulum action (8).
- You can adjust the cutting speed, the cutting performance and the finish to the workpiece you wish to saw.

Set the selector switch for pendulum action (8) to one of the following positions:

Position 0: No pendulum action

Material: Rubber, ceramic, aluminium, steel

Please note: For fine and clean cuts, thin materials (e.g. sheet steel) and hard materials.

Position 1: Small pendulum action

Material: Plastic, wood, aluminium

Please note: For hard materials

Position 2: Large pendulum action

Material: Wood

Please note: For soft materials and sawing along the grain

The best combination of speed and pendulum action depends on the material you wish to saw. We recommend to make a trial cut on a waste piece in order to check the ideal settings.

6.6.3 Using the laser (Fig. 1/Item 16)

- The laser (16) enables you to make precision cuts with your jigsaw.
- The laser light is generated by a laser diode. The laser light is enlarged to form a line and is emitted through the laser emission aperture. You can then use the line as an optical marker for the sawing line for precision cuts. Follow the laser safety instructions.
- The laser (16) switches on automatically when the On/Off switch (3) is pressed.

6.6.4 Making cuts

- Ensure that the ON/OFF switch (3) is not depressed. Only then should you insert the battery pack.
- Do not switch on the jigsaw until you have fitted a saw blade.
- Use only saw blades that are in perfect condition. Replace blunt, bent or cracked saw blades immediately.
- Place the saw foot flat on the workpiece you wish to saw. Switch on the jigsaw.
- Allow the saw blade to accelerate until it reaches full speed. Then slowly move the saw blade along the cutting line. Only exert gentle pressure on the saw blade as you do so.
- When cutting metal, apply a suitable coolant along the line you wish to cut.

6.6.5 Sawing out sections (Fig. 7)

Drill a 10 mm hole in the section you wish to saw out. Insert the saw blade into this hole and start to saw out the required section.

6.6.6 Making parallel cuts

- Mount the parallel stop and adjust as required (see section 5.4).
- Observe the instructions in section 6.4.
- Cut as shown in Figure 8.

6.6.7 Making miter cuts

- Set the angle on the soleplate (see section 5.5).
- Observe the instructions in section 6.4.
- Cut as shown in Fig. 9.

6.7. CLEANING, MAINTENANCE AND ORDERING OF SPARE PARTS

Always remove the battery pack before starting any cleaning work!

6.7.1 Cleaning

- Keep all safety devices, air vents and the motor housing free of dirt and dust as far as possible. Wipe the equipment with a clean cloth or blow it with compressed air at low pressure.
- We recommend that you clean the device immediately each time you have finished using it.
- Clean the equipment regularly with a moist cloth and some soft soap. Do not use cleaning agents or solvents; these could attack the plastic parts of the equipment. Ensure that no water can seep into the device.

6.7.2 Maintenance

There are no parts inside the equipment which require additional maintenance.

6.7.3 Ordering spare parts

Please contact our After Sales Support on 1300 922 271 and quote the following data when ordering spare parts:

- Type of machine
- Article number of the machine
- Identification number of the machine
- Spare part number of the part required

6.8. DISPOSAL AND RECYCLING

The unit is supplied in packaging to prevent its being damaged in transit. This packaging is raw material and can therefore be reused or can be returned to the raw material system.

The unit and its accessories are made of various types of material, such as metal and plastic.

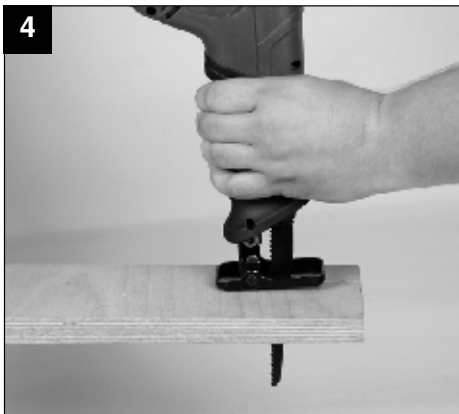
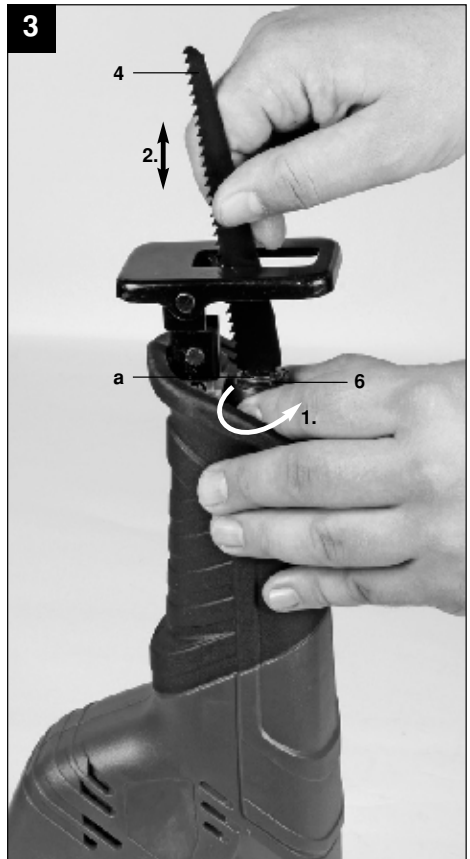
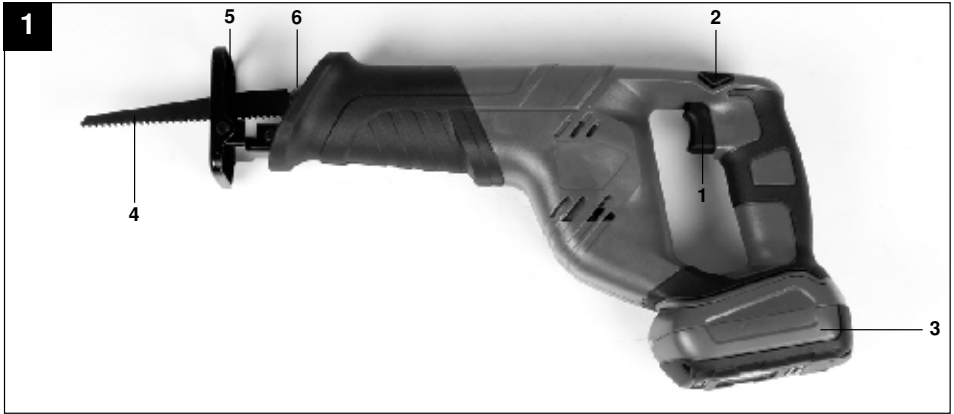
Defective components must be disposed of as special waste. Ask your local council.

6.9. STORAGE

Store the equipment and accessories out of children's reach in a dark and dry place at above freezing temperature. The ideal storage temperature is between 5 and 30 °C. Store the electric tool in its original packaging.



7. CORDLESS RECIPROCATING SAW OPERATING INSTRUCTIONS





Caution - Read the operating instructions to reduce the risk of injury



Wear ear-muffs.
The impact of noise can cause damage to hearing.

Wear a breathing mask.



Dust which is injurious to health can be generated when working on wood and other materials.
Never use the device to work on any materials containing asbestos!



Wear Safety goggles.
Sparks generated during working or splinters, chips and dust emitted by the device can cause loss of sight.

7.1. CORDLESS RECIPROCATING SAW SAFETY RULES

CAUTION!

Read all safety regulations and instructions.

Any errors made in following the safety regulations and instructions may result in an electric shock, fire and/or serious injury.

Keep all safety regulations and instructions in a safe place for future use.

- Always check the saw, the power cable and the plug before use. Only ever use the saw if it is in perfect, undamaged condition. Damaged parts have to be repaired or replaced immediately by a qualified electrician.
- Always remove the battery pack before carrying out any work on the saw, before changing the blade and in periods of non-use.
- Keep the saw in a safe place and out of the reach of children.
- Always wear goggles, safety gloves and ear muffs when sawing. Wear a breathing mask on dusty jobs.
- Never leave any keys or adjustment spanners in position on the saw. Before switching on, check that all keys and adjustment spanners have been removed.
- Secure the workpiece (with a clamp) so that it cannot slip.
- **It is prohibited to use the saw on asbestos materials.** Please note the accident prevention regulations in force in your country.
- Use only original spare parts.
- Repairs are to be carried out by qualified electricians only.
- The level of noise at the workplace may exceed 85 dB(A). In this case you will need to introduce noise protection measures for the user.
- Make sure of your footing. Avoid abnormal working positions.

- Keep your electric tool out of the rain. Never use electric tools in wet or damp conditions, and never use them near inflammable liquids.
- Keep your workplace tidy.
- Make sure the power switch is off before inserting the battery pack.
- Wear suitable clothing. Never wear loose-fitting clothes or jewellery. Use a hair-net on long hair.
- For your own safety, use only the manufacturer's accessories and attachments.
- Use only sharp saw blades that are in perfect condition. Replace bent and cracked saw blades immediately.
- After switching off the saw, do not press against the side of the blade to bring it to a halt.
- Always cut at a steady rate of progress. This will prevent accidents and prolong the life of your saw and the blade.
- Use only a damp cloth to clean your saw. Do not use any aggressive agents for cleaning purposes.
- Check your saw to ensure that it is in good working order. If the saw fails to work properly, have it checked. Leave all maintenance and inspection work strictly to a qualified electrician or call our Customer Service on 1300 922 271.

Hold the equipment by the insulated handles when carrying out work during which the plug-in tool could strike concealed power cables or its own mains lead. Contact with a live cable can also make the metal parts of the equipment live and will cause an electric shock.

7.2. LAYOUT / ITEMS SUPPLIED (FIG. 1/2)

7.2.1 Layout

1. ON/OFF switch
2. Locking button for ON/OFF switch
3. Battery Pack
4. Saw blade
5. Soleplate
6. Blade holder
7. Pushlock button

7.2.2 Items supplied

- Open the packaging and take out the equipment with care.
- Remove the packaging material and any packaging and/or transportation braces (if available).
- Check to see if all items are supplied.
- Inspect the equipment and accessories for transport damage.
- If possible, please keep the packaging until the end of the



guarantee period.

IMPORTANT

The equipment and packaging material are not toys. Do not let children play with plastic bags, foils or small parts. There is a danger of swallowing or suffocating!

- Cordless All Purpose Saw
- Saw blade (1 x)
- Original operating instructions
- Charger (1 x included in set)
- Battery Pack (2 x included in set)

7.3. PROPER USE

The All purpose saw is designed for sawing wood, non-ferrous metals and plastic. It should only be used with the appropriate saw blade.

The equipment is to be used only for its prescribed purpose. Any other use is deemed to be a case of misuse. The user / operator and not the manufacturer will be liable for any damage or injuries of any kind caused as a result of this.

Please note that our equipment has not been designed for use in commercial, trade or industrial applications. Our warranty will be voided if the machine is used in commercial, trade or industrial businesses or for equivalent purposes.

7.4. TECHNICAL DATA

| | |
|----------------------|------------|
| Voltage supply: | 18V d.c. |
| Stroke rate: | 0-3000 rpm |
| Stroke height: | 22mm |
| Cutting depth, wood: | 100mm |
| Weight: | 2.0 kg |

Sound and vibration

Sound and vibration values were measured in accordance with EN 60745.

| | |
|-------------------------------|-----------|
| L_{pA} sound pressure level | 92 dB(A) |
| K_{pA} uncertainty | 3 dB |
| L_{WA} sound power level | 103 dB(A) |
| K_{WA} uncertainty | 3 dB |

Wear ear-muffs.

The impact of noise can cause damage to hearing. Total vibration values (vector sum of three directions) determined in accordance with EN 60745.

Cutting in Wood

Vibration emission value $a_h = 18.708 \text{ m/s}^2$

K uncertainty = 1.5 m/s^2

Additional information for electric power tools

Warning!

The specified vibration value was established in accordance

with a standardized testing method. It may change according to how the electric equipment is used and may exceed the specified value in exceptional circumstances.

The specified vibration value can be used to compare the equipment with other electric power tools.

The specified vibration value can be used for initial assessment of a harmful effect.

Keep the noise emissions and vibrations to a minimum.

- Only use appliances which are in perfect working order.
- Service and clean the appliance regularly.
- Adapt your working style to suit the appliance.
- Do not overload the appliance.
- Have the appliance serviced whenever necessary.
- Switch the appliance off when it is not in use.
- Wear protective gloves.

Residual risks

Even if you use this electric power tool in accordance with instructions, certain residual risks cannot be ruled out. The following hazards may arise in connection with the equipment's construction and layout:

Lung damage if no suitable protective dust mask is used.

Damage to hearing if no suitable ear protection is used.

Health damage caused by hand-arm vibrations if the equipment is used over a prolonged period or is not properly guided and maintained.

7.5. BEFORE STARTING THE EQUIPMENT

Charge the battery pack with the charger supplied. An empty battery pack requires a charging period of approximately 1 hour.

For more details about charging the battery pack please read the operating instructions of the 1-hour charger.

Always remove the battery pack before making adjustments to the equipment.

7.5.1 Mounting and removing the battery pack (Fig. 2/Item 3)

Mounting:

Push the battery pack (3) onto the equipment until it latches in place.

Removing:

Press the pushlock button (7) and pull the battery pack (3) out of the equipment.

7.5.2 Changing the saw blade (Fig. 3)

Always switch off the saw and remove the battery pack before working on the machine or changing the saw blade.

Turn the ring (a) on the blade holder (6) as shown in Fig. 3 until the blade (4) lets itself be slipped into the slot of the blade holder (6).

When you now let go of the ring (a) again, the ring (a) should return to its starting position.

If this fails to happen, try turning the ring (a) by hand into its starting position.

Pull on the blade (4) to check whether it sits tightly in the blade holder (6).

7.6. OPERATION

7.6.1 ON/OFF switch (Fig.1 /Item 1)

To switch on:

Press the locking button (2) and the ON/OFF switch (1) at the same time

- Allow the saw blade (4) to accelerate until it reaches full speed. Then slowly move the saw blade (4) along the cutting line. Only exert gentle pressure on the saw blade as you do so.

To switch off:

Release the locking button (2) and ON/OFF switch (1)

- If you release the ON/OFF switch (1) the equipment will shut down automatically which means that it cannot operate accidentally.
- Ensure that you do not cover or block the ventilation openings whilst working with the tool.
- Do not slow down the saw blade after you switch it off by pressing it sideways.
- Important! Do not put down the machine until the saw blade has reached a complete standstill.

Important. Carry out a trial cut in a piece of waste wood

7.6.2 Use as a jigsaw (Fig. 4)

Place the All purpose saw on the material to be cut as shown in Fig. 4. Switch on the All purpose saw and push it along against the material to be cut. Adapt your cutting speed to the material.

7.7. CLEANING, MAINTENANCE AND ORDERING OF SPARE PARTS

Always remove the battery pack before starting any cleaning work!

7.7.1 Cleaning

- Keep all safety devices, air vents and the motor housing free of dirt and dust as far as possible.
- Wipe the equipment with a clean cloth or blow it with compressed air at low pressure.
- We recommend that you clean the device immediately each time you have finished using it.
- Clean the equipment regularly with a moist cloth and some soft soap. Do not use cleaning agents or solvents; these could attack the plastic parts of the equipment. Ensure that no water can seep into the device.

7.7.2 Maintenance

There are no parts inside the equipment which require additional maintenance.

7.7.3 Ordering spare parts

Please contact our After Sales Support on 1300 922 271 and quote the following data when ordering spare parts:

- Type of machine
- Article number of the machine
- Identification number of the machine
- Spare part number of the part required

7.8. DISPOSAL AND RECYCLING

The unit is supplied in packaging to prevent its being damaged in transit. This packaging is raw material and can therefore be reused or can be returned to the raw material system.

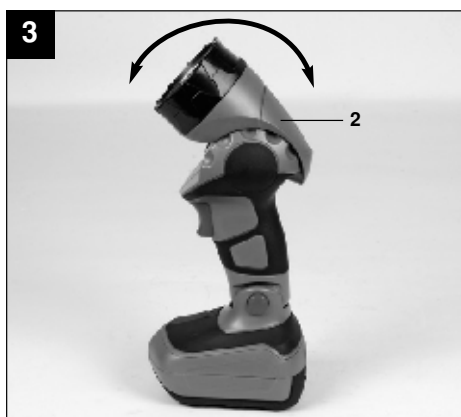
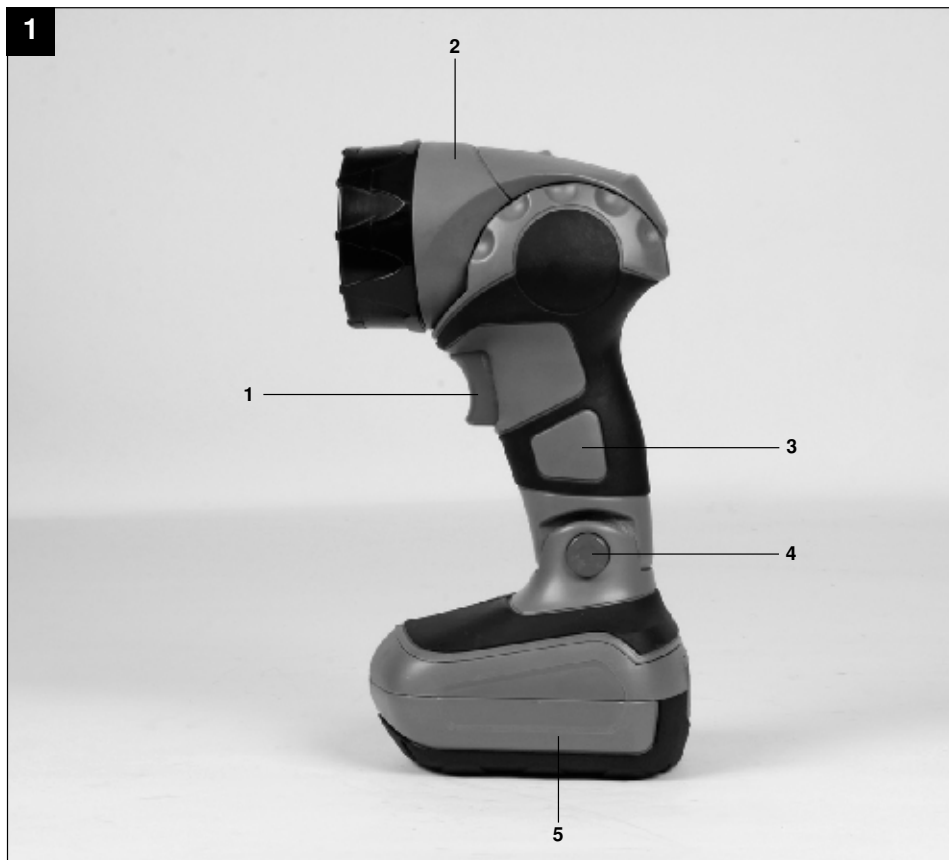
The unit and its accessories are made of various types of material, such as metal and plastic.

Defective components must be disposed of as special waste. Ask your local council.

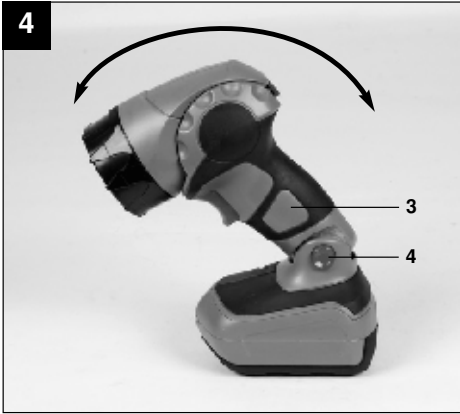
7.9. STORAGE

Store the equipment and accessories out of children's reach in a dark and dry place at above freezing temperature. The ideal storage temperature is between 5 and 30 °C. Store the electric tool in its original packaging.

8. CORDLESS LAMP OPERATING INSTRUCTIONS



35





Caution – Read the operating instructions to reduce the risk of injury

8.1. CORDLESS LAMP SAFETY RULES

CAUTION!

Read all safety regulations and instructions.

Any errors made in following the safety regulations and instructions may result in an electric shock, fire and/or serious injury.

Keep all safety regulations and instructions in a safe place for future use.

8.2. LAYOUT / ITEMS SUPPLIED (FIG. 1/2)

8.2.1 Layout

1. ON/OFF switch
2. Adjustable head
3. Handle
4. Locking button for handle
- 5 Battery pack
6. Pushlock button

8.2.2 Items supplied

- Open the packaging and take out the equipment with care.
- Remove the packaging material and any packaging and/or transportation braces (if available).
- Check to see if all items are supplied.
- Inspect the equipment and accessories for transport damage.
- If possible, please keep the packaging until the end of the guarantee period.

IMPORTANT

The equipment and packaging material are not toys. Do not let children play with plastic bags, foils or small parts. There is a danger of swallowing or suffocating!

- Cordless Lamp
- Original operating instructions
- Charger (1 x included in set)
- Battery Pack (2 x included in set)

8.3. TECHNICAL DATA

| | |
|------------------|----------|
| Voltage supply: | 18V d.c. |
| Number of LED's: | 9 |
| Weight: | 0.3 kg |

8.4. BEFORE STARTING THE EQUIPMENT

Charge the battery pack with the charger supplied. An empty battery pack requires a charging period of approximately 1 hour.

For more details about charging the battery pack please read the operating instructions of the 1-hour charger.

Always remove the battery pack before making adjustments to the equipment.

Important. Looking into the light beam more than briefly may be harmful for your eyes.

Mounting and removing the battery pack (Fig. 2/Item 5)

Mounting:

Push the battery pack (5) onto the equipment until it latches in place.

Removing:

Press the pushlock button (6) and pull the battery pack (5) out of the equipment.

8.5. OPERATION

8.5.1 Switching ON/OFF (Fig. 1/Item 1)

By pressing the ON/OFF button (1) for the first time, 3 LED lights illuminate.

By pressing the ON/OFF button (1) for the second time, 6 LED lights illuminate.

By pressing the ON/OFF button (1) for the third time, 9 LED lights illuminate.

By pressing the ON/OFF button (1) for the fourth time, the equipment is switched off.

8.5.2. Adjustable head (Fig 3/Item2)

The adjustable head (2) can be adjusted back and forth.

8.5.3 Handle adjustment (Fig 4/Item3)

The handle (3) can be adjusted in 6 different positions. To change the handle position press the locking button for the handle (4) and move the handle in the appropriate position.

8.6. CLEANING, MAINTENANCE AND ORDERING OF SPARE PARTS

Always remove the battery pack before starting any cleaning work!

8.6.1 Cleaning

Keep all safety devices, air vents and the motor housing free of dirt and dust as far as possible. Wipe the equipment with a clean cloth or blow it with compressed air at low pressure.

We recommend that you clean the device immediately each time you have finished using it.



Clean the equipment regularly with a moist cloth and some soft soap. Do not use cleaning agents or solvents; these could attack the plastic parts of the equipment. Ensure that no water can seep into the device.

8.6.2 Maintenance

There are no parts inside the equipment which require additional maintenance.

8.6.3 Ordering spare parts

Please contact our After Sales Support on 1300 922 271 and quote the following data when ordering spare parts:

- Type of machine
- Article number of the machine
- Identification number of the machine
- Spare part number of the part required

8.7. DISPOSAL AND RECYCLING

The unit is supplied in packaging to prevent its being damaged in transit. This packaging is raw material and can therefore be reused or can be returned to the raw material system.

The unit and its accessories are made of various types of material, such as metal and plastic.

Defective components must be disposed of as special waste. Ask your local council.

8.8. STORAGE

Store the equipment and accessories out of children's reach in a dark and dry place at above freezing temperature. The ideal storage temperature is between 5 and 30 °C. Store the electric tool in its original packaging.





