



# User Manual

Spend a little Live a lot

WITH  
**QUICK  
START  
GUIDE**



## 2400 W Electric Impact Shredder

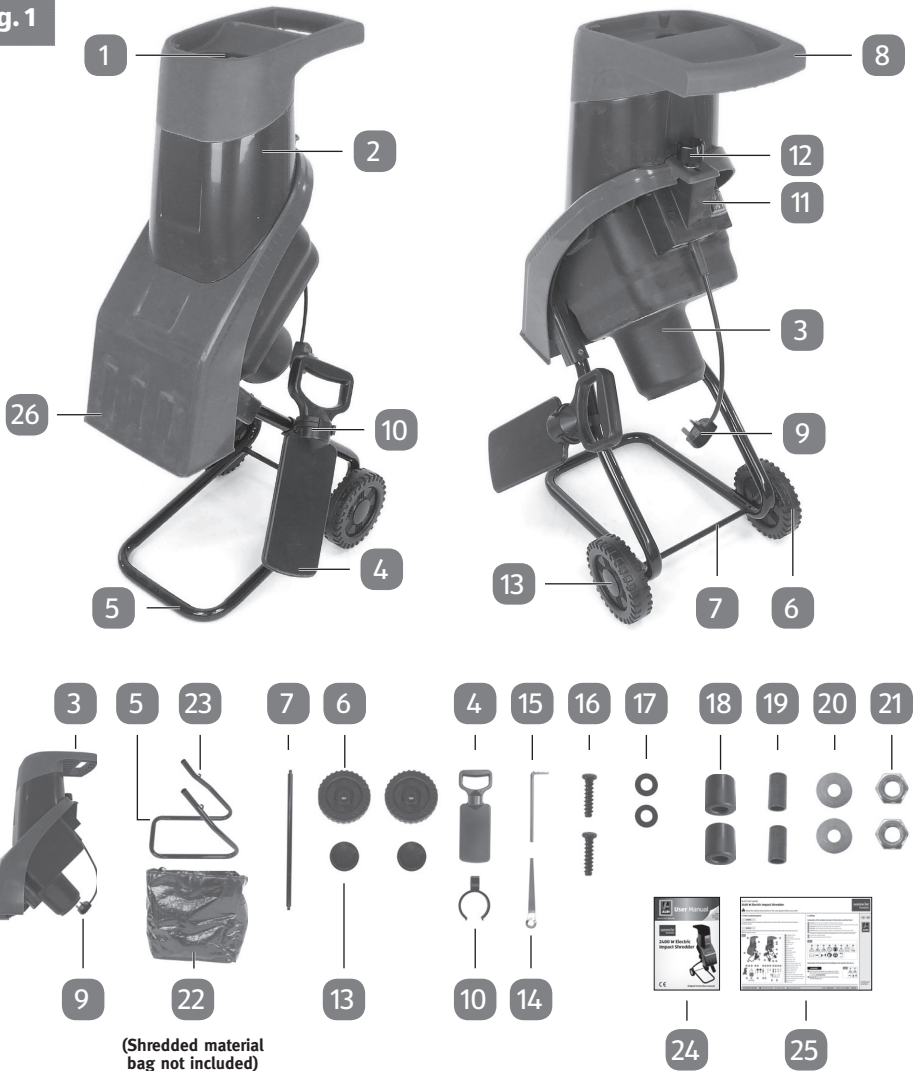


Original instruction manual

# Contents

<b>Pack contents/parts</b> .....	<b>3-4</b>
<b>General information</b> .....	<b>5</b>
Reading and storing the original instruction manual .....	6
Explanation of symbols .....	6
Use and storage of the user guide .....	7
Proper Use .....	7
Reasonably foreseeable misuse .....	8-9
<b>Safety</b> .....	<b>10</b>
Explanation of the symbols and types of instructions used .....	10
Explanation of the pictograms for handling on the machine .....	11
Safety devices .....	12-13
Safety instructions .....	14-29
<b>Set up</b> .....	<b>30-34</b>
<b>Use</b> .....	<b>35-39</b>
Description of the components and control elements .....	35
Operation .....	35-38
Safety .....	39
Malfunction and remedy (FAQ) .....	39
<b>Cleaning</b> .....	<b>40</b>
<b>Maintenance and servicing</b> .....	<b>41-46</b>
Turning the blades .....	42
Storage and transport .....	43
Cleaning .....	44
Ordering replacement parts .....	45
Replacing the power cable .....	46
<b>Technical data</b> .....	<b>47-49</b>
Declaration of conformity .....	49
<b>Warranty</b> .....	<b>50-52</b>
<b>Recycling</b> .....	<b>53</b>

Fig. 1

**Manufacturer's information:**

Einhell UK Ltd, Unit 9, Stadium Court, Wirral International Business Park,  
Plantation Road, Bromborough, CH62 3QG

**AFTER SALES SUPPORT**

[www.einhell.co.uk](http://www.einhell.co.uk)

☎ GB 0151 649 1500 IRE 1890 946244

Model: **GLEKS 2440**

PRODUCT CODE: **66926**

ON-SALE DATE: **08/2016**

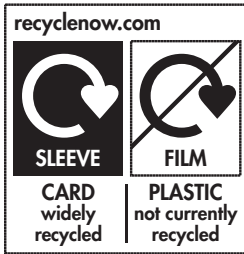
**1**  
YEAR  
WARRANTY

## Pack contents/parts

- 1 Loading tunnel inlet
- 2 Loading tunnel
- 3 Motor housing with cutter plate
- 4 Plunger
- 5 Complete chassis
- 6 Wheels – 2pcs
- 7 Axle
- 8 Transport handle
- 9 Mains plug
- 10 Mounting for plunger
- 11 On/Off switch
- 12 Release screw
- 13 Wheel hubs – 2pcs
- 14 Ring wrench - 12mm
- 15 Hexagon Allen key
- 16 Screw for chassis assembly – 2pcs
- 17 Washer for chassis assembly – 2pcs
- 18 Sleeve (Thick-short) – 2pcs
- 19 Sleeve (Thin-long) – 2pcs
- 20 Washer, outside – 2pcs
- 21 Hexagon Nut – 2pcs
- 22 Shredded material bag (Not included)
- 23 Hooks on chassis for shredder debris bag
- 24 Original operating & safety instructions
- 25 Quick set-up guide
- 26 Ejector chute

## Recycling

The unit is supplied in packaging to prevent it being damaged in transit. This packaging is raw material and can therefore be reused or can be returned to the raw material stream.



**The packaging material is partly recyclable.** Dispose of the packaging in an environmentally friendly way adding to your recyclable waste bin, or by taking it to a public collection centre.

The unit and its accessories are made of various types of material, such as metal and plastic. Defective components must be disposed of as special waste. Ask your dealer or your local council.



### For EU countries only

Never place any electric tools in your household refuse.

To comply with European Directive 2012/19/EU concerning old electric and electronic equipment and its implementation in national laws, old electric tools have to be separated from other waste and disposed of in an environment-friendly fashion, e.g. by taking to a recycling depot.

Recycling alternative to the demand to return electrical devices: As an alternative to returning the electrical device, the owner is obliged to cooperate in ensuring that the device is properly recycled if ownership is relinquished. This can also be done by handing over the used device to a returns centre, which will dispose of it in accordance with national commercial and industrial waste management legislation. This does not apply to the accessories and auxiliary equipment which are included with the used device.

The reprinting or reproduction by any other means, in whole or in part, of documentation and papers accompanying products is permitted only with the express consent of Einhell UK Ltd.

#### AFTER SALES SUPPORT

  0151 649 1500  1890 946244

 [www.einhell.co.uk](http://www.einhell.co.uk)

## Congratulations!

**You have made an excellent choice with the purchase of this quality Gardenline Essentials® product.**

**By doing so you now have the assurance and peace of mind which comes from purchasing a product that has been manufactured to the highest standards of performance and safety, supported by the high quality standards of ALDI.**

**We want you to be completely satisfied with your purchase so this Gardenline Essentials® product is backed by a comprehensive manufacturer's 1 year warranty and an outstanding after sales service through our dedicated Helpline.**

**We hope you will enjoy using your purchase for many years to come.**

**If you require technical support or in the unlikely event that your purchase is faulty please telephone our Helpline for immediate assistance. Faulty product claims made within the 1 year warranty period will be repaired or replaced free of charge provided that you have satisfactory proof of purchase (keep your till receipt safe!). This does not affect your statutory rights. However, be aware that the warranty will become null and void if the product is found to have been deliberately damaged, misused or disassembled.**



Declaration of conformity (see chapter 'Declaration of conformity').  
Products marked with this symbol meet all applicable Community regulations for the European Economic Area.

The Declaration of Conformity for the Gardenline Essentials GLEKS 2440 Electric Impact Shredder is printed on page 49 of this User Manual.

## General information

### Reading and storing the original instruction manual



This instruction manual accompanies this Electric Impact Shredder. It contains important information on start-up and handling.

For improved readability, the 'Original instruction manual' will be referred to only as the 'Instruction manual'.

Before using the Electric Impact Shredder, read the instruction manual carefully. This particularly applies for the safety notes. Failure to heed this instruction manual may result in severe injury or damage to the Electric Impact Shredder.

The instruction manual is based on the standards and rules in force in the European Union. When abroad, you must also observe country-specific guidelines and laws. Store the instruction manual for future use. If you pass the impact shredder on to third parties, please be absolutely sure to include this instruction manual.

### Explanation of symbols

The following symbols and signal words are used in this instruction manual, on the Electric Impact Shredder or on the packaging.

**⚠ DANGER!**

This signal symbol/word indicates a hazard with high risk that, if not avoided, results in death or a severe injury.

**⚠ WARNING!**

This signal symbol/word designates a hazard with moderate degree of risk which may lead to death or severe injury if not avoided.

**⚠ CAUTION!**

This signal symbol/word designates a hazard with low risk that, if not avoided, may result in minor or moderate injury.

**NOTICE!**

This signal symbol/word warns against potential damages to property.



This symbol provides you with useful supplementary information on assembly or operation.

## Use and storage of the user guide

In terms of the electric impact shredder, this instruction manual provides the information necessary to understand how to safely:

- Assemble the wheels & axle to the frame, and fit the motor unit onto the chassis.
- Fitting the holder for the plunger.
- Using the plunger whilst shredding.
- Fitting the shredder debris bag (Available as an optional extra from Einhell UK Ltd).
- The intended use, and how to use it to shred branches, etc.
- How to store it.
- Simple maintenance and fault finding.
- If necessary, contacting about repairs, spare parts and warranty claims.

### WARNING!

Read all safety regulations and instructions. Any errors made in following the safety regulations and instructions may result in fire and/or serious injury. Keep all safety regulations and instructions in a safe place for future use.

## Proper Use

**This electric garden refuse shredder is designed only for shredding organic garden waste. Place biologically degradable material, e.g. leaves, branches, dead flowers etc., into the loading tunnel inlet.** The operating instructions as supplied by the manufacturer must be obeyed to ensure that the equipment is used properly & the manufacturer cannot be held liable for damage or injury caused by improper or incorrect usage.

**The equipment is to be used only for its prescribed purpose & any use which is not expressly permitted in these instructions may result in damage to the equipment and place the user in serious danger.** Be sure to observe the restrictions in the safety information.

**Please note that our equipment has not been designed for use in commercial, trade or industrial applications.** Our warranty will be voided if the equipment is used in commercial, trade or industrial businesses or for equivalent purposes.



**⚠ DANGER!**

**Shred only wood and organic material with this impact shredder. Due to the high risk of physical injury to the user, the equipment must not be used for purposes for which it was not intended.** For example do not use the impact shredder for cutting plastic, metal, or non-organic materials. For safety reasons, the equipment is not allowed to be used as a drive unit for other tools or products of any kind.

**The equipment is allowed to be used only for its intended purpose. Any other use is deemed to be a case of misuse.** The user/operator and not the manufacturer will be liable for any damage or injuries of any kind resulting from such misuse.

**Reasonably foreseeable misuse**

- Not reading the Instructions and Safety advice in this User Guide, before using the product.
- Damage/Injury caused by not switching the electric motor off.
- Damage/Injury caused by the user wearing loose clothing which could get caught on material being shredded and thus go into the cutting chamber and become entrained on the cutter blade.

- Damage/Injury caused by not assembling the impact shredder correctly in line with the instructions.
- Damage/Injury caused by trying to fit material which is too large, into the loading tunnel inlet which could jam the blade in the machine, or the material may then be catapulted away.
- Damage/Injury caused by feeding long pieces of material into the tunnel inlet which might whiplash if the material is still projecting out of the tunnel inlet as it is drawn into the machine.
- Lung damage if no suitable protective dust mask is used.
- Damage to hearing if no suitable ear protection is used.
- Health damage caused by hand-arm vibrations if the equipment is used over a prolonged period.

The reprinting or reproduction by any other means, in whole or in part, of documentation and papers accompanying products is permitted only with the express consent of Einhell UK Ltd.

Subject to technical changes.

---

**AFTER SALES SUPPORT**

  0151 649 1500  1890 946244

 [www.einhell.co.uk](http://www.einhell.co.uk)

# Safety

## Explanation of the symbols and types of instructions used (See Fig. 2)

- 1 **Warning!** Read the user manual and follow the warnings and safety instructions.
- 2 Take care when the blades are rotating. Do not put your hands or feet into openings when the machine is running.
- 3 **Important!** Keep other persons and animals away from the danger zone.
- 4 **Important!** Protect the machine from the damp and never expose it to rain.
- 5 **Important!** Always wear safety goggles, ear defenders, protective gloves and heavy-duty work clothes!
- 6 Always set the ON/OFF switch to OFF and pull the power plug out of the socket-outlet before doing any work on the shredder, e.g. cleaning the shredder and making adjustments, or if the power cable becomes damaged.
- 7 Protection class II; double-insulated
- 8 Noise emission complies with Directive 2000/14/EC!

Fig. 2



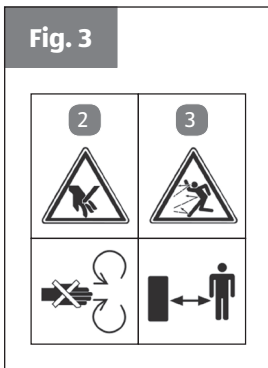
## Explanation of the pictograms for handling on the machine (See Fig. 3)



A safety sign is fitted to the side of impact shredder's motor housing cover. This label, along with the safety instructions on these pages, should be carefully read before attempting to operate this unit.

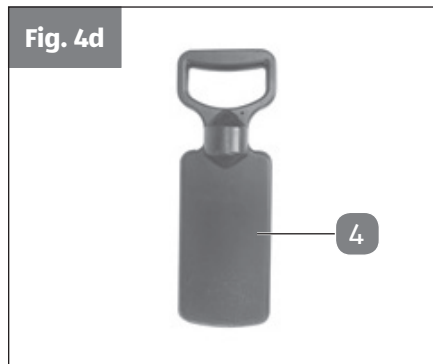
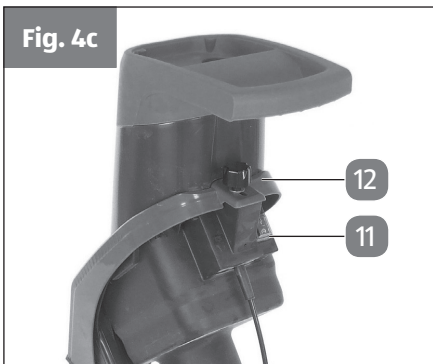
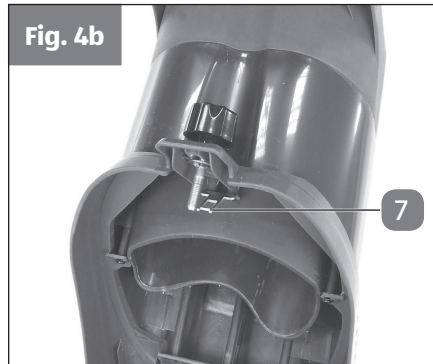
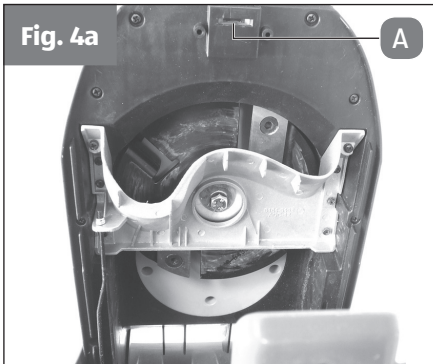
### ⚠ DANGER!

- 2 Take care when the blades are rotating. Do not put your hands or feet into openings when the machine is running.  
**RECOMMENDED!**
- 3 **Important!** Keep other persons and animals away from the danger zone.



## Safety devices (Fig. 4a – 4d)

- A** The shredder has a safety switch (Figure 4a/Item A) in its interior on the motor housing. The control unit for it (Fig. 4b/Item 7) is located on the inside of the loading tunnel. If the release screw (Fig. 4c/Item 12) is loosened, the switch will operate and turn off the power to the motor. If this happens, then tighten the release screw.
- 11** The motor is protected from overloads by an overload switch. In case of overloading the equipment will shut down automatically. To restart the motor, set the On/Off switch to the position 'I' to start or restart the electric motor.
- 4** The plunger (Fig. 4d/Item 4) is used to remove jammed objects from the loading tunnel inlet (Do not use anything else for this function).



**⚠ WARNING!****Before using**

- **Wearing personal protective gear such as, safety gloves, non-slip safety shoes, long trousers, snug fitting clothing, eye protection and ear protection reduces the risk of injury. If you have long hair, wear a hair net. Never use an impact shredder whilst barefoot or in sandals.**
- **Before you connect the equipment to the mains supply make sure that the data on the rating plate matches that of your local supply.** Failure to do this may result in an electric shock, fire and/or serious injury and/or damage to the machine due to an incorrect supply rating.

**⚠ WARNING!**

**Read and follow the operating instructions and safety information before using for the first time.** Failure to follow the safety notes and instructions may result in an electric shock, fire and/or serious injury and/or damage to the machine.

When using equipment, a few safety precautions must be observed to avoid injuries and damage. Please read the complete operating manual with due care. Keep this manual in a safe place, so that the information is available at all times. If you give the equipment to any other person, give them these operating instructions as well. We accept no liability for damage or accidents which arise due to non-observance of these instructions and the safety information.

- This equipment is not designed to be used by people (including children) with limited physical, sensory or mental capacities or those with no experience and/or knowledge unless they are supervised by a person who is responsible for their safety or they have received instructions from such a person in how to use the equipment safely.
- Children must always be supervised in order to ensure that they do not play with the equipment.
- Never allow other persons who are not familiar with the operating instructions to use the equipment. Contact your local governmental agency for information regarding minimum age requirements for the user.
- Never use an impact shredder in the direct vicinity of persons - especially children or animals.

## Safety instructions

### 1. Operation, storage and monitoring

#### WARNING!

- Wear close-fitting work clothing which is in good condition and which offers protection, such as long trousers, sturdy work shoes, hard-wearing gloves, a face mask or goggles to protect your eyes, and good quality ear defenders to reduce the noise.** Wearing personal protective gear such as, safety gloves, non-slip safety shoes, long trousers, snug fitting clothing, eye protection or ear protection reduces the risk of injury. If you have long hair, wear a hair net.
- Never leave the shredder unattended. Store the shredder in a safe place when not in use.**

**⚠ WARNING!**

- c) **If you interrupt your work to move to a different position it is imperative to switch off and unplug the shredder while you are relocating it.** If the machine has not stopped when moving it then there is a risk of material or clothing becoming caught into the loading tunnel inlet causing damage or personal injury. There could also be risk of electrocution if the mains cable is damaged whilst relocating the shredder, if it is not unplugged.

**⚠ DANGER!**

- d) **Never use the shredder in the rain or in moist or wet conditions.** There is a risk of electrocution, or damage to the shredder, if moisture gets inside the shredder.

**⚠ DANGER!**

- e) **Protect the shredder from the damp and rain.** There is a risk of electrocution, or damage to the shredder, if moisture gets inside the shredder.

**⚠ DANGER!**

- f) **Do not use the shredder without an RCD protection device, the maximum operating current must not be greater than 30mA.** There is a risk of electrocution, or damage to the shredder, in the event of a fault, if an RCD is not in the circuit.



**⚠ DANGER!**

- g) **The ON/OFF switch must be set to OFF and the power plug removed from the socket-outlet before cleaning or doing any other work on the shredder and whenever the cable becomes tangled. The shredder will continue to run briefly after it is switched off.** There is a risk of electrocution, or damage to the shredder, if this is not done.
- h) **The operator is responsible for the safety of third parties within the working radius of the shredder.**

**⚠ WARNING!**

- i) **Make sure that the shredder is properly closed (loading tunnel and motor housing) before you start up the motor.** There is a risk of electrocution, or damage to the shredder, if this is not done.

**⚠ WARNING!**

- j) **The shredder must be placed on a flat and firm surface where it can stand securely.** If the shredder is not stable during use and topples over, There is a risk of impact injury, injury from materials being fed into the loading tunnel inlet, injury from material being ejected or catapulted from the ejector chute or damage to the shredder.

**⚠ DANGER!**

- k) **Each time before you leave the shredder, switch off the motor and pull out the power plug.** If the electric motor is left running there is a risk of damage or injury.

**⚠ WARNING!**

- l) **Maintenance and cleaning work on the shredder as well as the removal or adjustment of any safety devices must only be performed when the motor is at a standstill and the power plug has been pulled out.** There is a risk of electrocution, injury or damage to the shredder, if this is not done.

**⚠ WARNING!**

- m) **The safety devices supplied with the shredder (e.g. the plunger) must be used.** There is a risk of injury or damage to the shredder, if this is not done.

**⚠ WARNING!**

- n) **The shredder must be assembled correctly before it is put into operation.** There is a risk of electrocution, injury or damage to the shredder, if this is not done.

**⚠ WARNING!**

- o) **Examine the shredder each time before you use it. Do not use the shredder if any safety devices are damaged or worn. Never put safety devices out of operation.** There is a risk of electrocution, injury or damage to the shredder, if this is done.

**⚠ DANGER!**

- p) **Work only in good visibility.** There is a risk of damage or injury if there is insufficient light in the working area.

**⚠ DANGER!**

- q) **Always make sure of your footing while working.** Risk of accident or injury due to slipping or tripping.

**⚠ DANGER!**

- r) **The guard is vital for your safety and for the safety of others, and it is also essential for the shredder to work correctly.** Failure to observe this instruction will not only create a potential hazard of risk of electrocution, injury or damage to the shredder, it will also result in the loss of your rights under the warranty.
- s) Keep the shredder away from other persons, particularly children and pets.
- t) Use the shredder only for the purpose specified in these instructions.
- u) **The mains voltage of your supply must be the same as the voltage specified on the appliance rating plate.** Risk of fire or electrocution exists if this is not correct.
- v) **Power cables used with the shredder must not be of a lighter duty class than H07RN-F rubber insulated flexible cables according to DIN 57282 / VDE 0282 with a minimum cross sectional area of 1.5 mm<sup>2</sup>.** Risk of fire or electrocution.
- w) **Plug connectors must be equipped with earthing contacts and the coupling must be rain-water protected.** Risk of electrocution.

- x) **If the Power Cord or plug is damaged do not use the machine. Have the cable replaced with an approved part by a qualified electrician or a suitably qualified person.** Risk of fire or electrocution.
- y) **Have repairs carried out only by a qualified electrician or service Engineer.** Risk of fire or electrocution.

## 2. Additional instructions

- a) **Keep the air vents clear of dirt.** Risk of fire if the motor overheats.
- b) After use, unplug the machine and check it for damage.
- c) When you are not using the shredder, keep it in a dry place out of the reach of children.
- d) Check the screws regularly to see that they are properly tightened.
- e) **Examine the shredder for signs of wear or damage each time before you use it and after any impacts.** Have essential repairs carried out without delay.
- f) Use only original replacement parts for repair and maintenance purposes.
- g) Never use replacement parts or accessories which are not approved or recommended by the manufacturer.
- h) Pull out the power plug before carrying out any inspection, cleaning or other work on the shredder and whenever it is not being used.
- i) Before you begin your work, examine the material you want to shred. Remove any foreign bodies.

- j) Continue to watch out for foreign bodies while you are working. If you come across any foreign bodies while shredding, shut down the machine and remove the items in question.
- k) Keep the machine away from other persons, particularly children and pets.
- l) Use the machine only in the way described in these operating instructions.
- m) The electric circuit must be protected at your Distribution Board by at least a 16A fuse.
- n) The efficiency of the machine will be greatly reduced if an extension cord with too small a cross section is used. A conductor cross section of at least  $3 \times 1.5 \text{ mm}^2$  is required for cables up to 25 m long, and one of at least  $3 \times 2.5 \text{ mm}^2$  for cables longer than 25 m. Risk of fire or electrocution.
- o) If the machine has to be lifted for transportation, be sure to switch off the motor first and wait for the cutter to come to a standstill. Each time before you leave the machine, switch off the motor and pull out the power plug. Before you connect the machine to the power supply, make sure that the loading tunnel is properly connected to the motor housing and the release screw tightened.
- p) If the garden refuse shredder vibrates excessively, turn off the motor, pull out the power plug, and find out immediately what is causing the vibrations. Intensive vibration is usually a sign that something is wrong.
- q) Do not wear loose clothing or clothing with hanging belts or cords.
- r) Do not use the machine on a paved area that has been gravelled where discharged material may cause injuries.

- s) **Ensure that the loading tunnel is empty before you start the machine.** Risk of catapulted parts from the loading tunnel or discharge chute.
- t) Keep your head and body away from the in-feed opening.
- u) Do not move your hands, other body parts or clothing into the in-feed chamber of the loading tunnel, ejector chute or near other moving parts.



Damaged or illegible labels must be replaced.

**⚠ WARNING!**

- v) **To detect significant damage or defects, the equipment must be inspected each time before use and each time after being dropped or suffering other shocks. Do not use the impact shredder if any damage has occurred as a result of dropping.** Risk of injury/death.

### 3. Safety of persons

- a) **Be careful, pay attention to what you are doing and approach work with an impact shredder in a reasonable manner. Do not use an impact shredder if you are tired or under the influence of drugs, alcohol or medication.**  
A single moment of inattentiveness when using the impact shredder can result in serious injury.

- b) Always wear personal protective gear and a breathing mask in necessary. Depending on the type of impact shredder and how it is used, wearing personal protective gear such as a dust mask, non-slip safety shoes, plus eye and ear protection reduces the risk of injury. If you have long hair, wear a hair net. Use a breathing mask if performing dusty work.
- c) Do not use the impact shredder if its switch is defective. An impact shredder that can no longer be switched on or off is dangerous and must be repaired.
- d) If the machine is blocked, switch off the motor and pull out the mains plug before you start the cleaning procedure. Ensure that the motor is clear of waste and other accumulations to protect the motor from suffering damage or possibly catching fire.
- e) Avoid an abnormal posture. Maintain a safe position and keep your balance at all times. This will allow you to have better control of the impact shredder in the event of unexpected situations.
- f) Wear suitable clothing. Do not wear any loose-fitting clothing or jewellery. Keep your hair, clothing and gloves away from the moving parts. Loose clothing, jewellery or long hair may get caught in the moving parts.  
It is recommended that you wear impact shredder specific safety gloves, sturdy non-slip footwear ear defenders and protective goggles.
- g) Allow the appliance to cool before carrying out any maintenance work, adjustments, etc.
- h) Never use the machine while other people or animals are nearby.
- i) Never stand higher than the machine when feeding material into it.

- j) Keep away from the discharge zone when you start the machine.
- k) If foreign bodies get into the cutting tool or the machine generates unusual noises or vibrates in a strange way, switch off the motor immediately and allow the machine to come to a standstill. Do not use the machine again until it has been examined for damage and / or any foreign bodies removed.

#### 4. Using and handling the impact shredder

- a) Before starting the machine, check all screws, nuts, bolts and other fastening materials to ensure that they are secure and that all covers and guards are in good working order, and in position. Damaged or illegible labels must be replaced.
- b) Do not tip the machine whilst the motor is running.
- c) Switch off the machine before you fit or remove the collection container.
- d) Children must not be permitted to use the machine.
- e) The appliance must only be used outdoors in a clear open space.
- f) Use the impact shredder, accessories, etc. in accordance with these instructions. At the same time, consider the working conditions and the work to be performed.

Using impact shredders for applications other than the intended ones may result in dangerous situations.

- g) **When inserting material take special care to ensure that it does not contain any metal, stones, bottles, cans or other foreign bodies.** Risk of injury by catapulted material from the loading tunnel inlet or damage to the impact shredder.



- h) **Do not allow processed material to accumulate within the discharge area; this could prevent the machine being able to discharge correctly and result in material recoiling through the in-feed opening of the loading tunnel.** Risk of injury by catapulted material from the loading tunnel inlet.
- i) Connect the equipment to the power supply only via an RCD circuit breaker with max. 30mA tripping current.

## 5. Service

- a) Only have your impact shredder repaired by a qualified professional and only with original spare parts. This will ensure that the safety of the impact shredder is not compromised.
- b) When servicing the cutting tool, remember that it may still be moving due to the starting mechanism, even if the motor is not running because of the cover interlock.
- c) **Pull out the mains plug and carry out the following work:**
- Check the machine for signs of damage.
  - Check that all the parts are secure and tighten them if necessary.
  - Have any damaged parts replaced or repaired, but use only spare parts of the same type and equivalent quality.

### **WARNING!**

Danger for children and persons with impaired physical, sensory or mental capacities (e.g. partially disabled persons, older persons with reduced physical and mental capacities) or lack of experience and knowledge.

- The impact shredder may not be used by children and persons with impaired physical, sensory or mental capacities or lack of experience and knowledge.
- The operator must be at least 18 years of age.
- Children may not play with the impact shredder. Cleaning and user maintenance must not be performed by children.
- Do not allow children to play with the packaging wrapper. They may get caught in it when playing and suffocate.
- Make sure that children do not insert any objects into the impact shredder.

 **WARNING!**

- Never operate the impact shredder in the wet or in the rain as this can increase the risk of electric shock.

 **WARNING!**

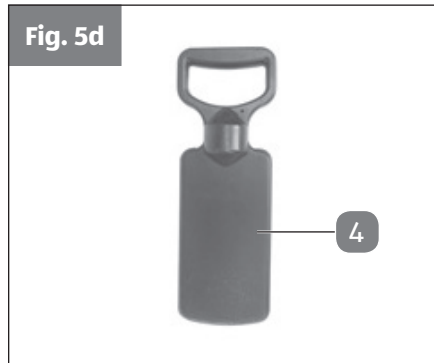
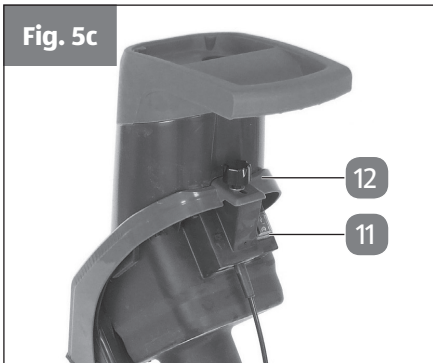
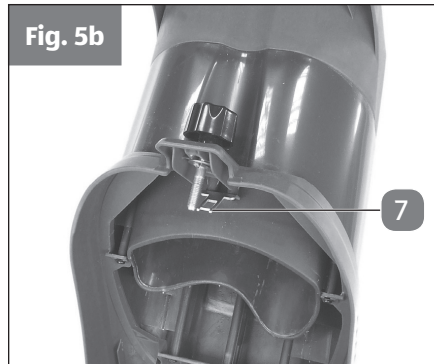
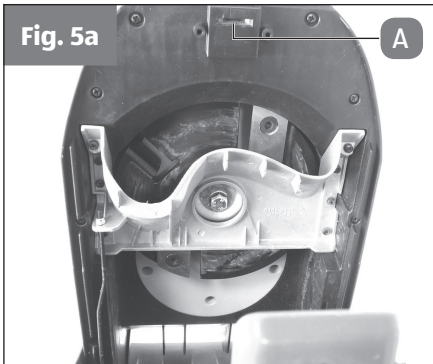
Risks associated with using the impact shredder

If used improperly or in a negligent manner, the impact shredder can inflict serious injury!

- Carefully read through the instructions on proper handling, preparatory steps, maintenance, starting and switching off the impact shredder. Familiarise yourself with all controls and switches as well as proper use of the impact shredder.

## 6. Safety features (Fig. 5a – 5d)

- A** The shredder has a safety switch (Fig. 5a/Item A) in its interior on the motor housing. The control unit for it (Fig. 5b/Item 7) is located on the loading tunnel. If the release screw (Fig. 5c/Item 12) is loosened, the switch will operate and turn off the power to the motor. If this happens, then tighten the release screw.
- 11** The motor is protected from overloads by an overload switch. In case of overloading the equipment will shut down automatically. To restart, set the On/Off switch to the position 'I' to start or restart the electric motor.
- 4** The plunger (Fig. 5d/Item 4) is used to remove jammed objects from the loading tunnel inlet. (Do not use anything else for this function).






Study your Impact Shredder and be familiar with its parts and operation.

## 7. Safe operation

- The safety, working and maintenance notes of the manufacturer as well as the information specified in the technical data must be complied with.
- Applicable accident prevention regulations and other generally recognised safety rules must be complied with.
- The operator must be informed about factors affecting the release of debris and dust, e.g. the type of wood being cut & dust in dry conditions.
- Wear a dust mask in dry conditions to prevent dust inhalation every time you perform any work.
- Before start-up, the protective guard must be correctly fitted and the impact shredder should never be operated without the protective guard.
- Always position yourself in a stable upright position when working with an impact shredder.
- Guide the material into the impact shredder properly.
- Never stress the impact shredder so that it comes to a stop.
- Make sure that any dust and debris are not caught around the outside of the ejector chute <sup>26</sup> and not allowed to accumulate within the discharge area; this could prevent the machine being able to discharge correctly and result in material recoiling through the in-feed opening. Risk of injury by catapulted material from the loading tunnel inlet (See Fig. 1).

- Never remove debris from the machine, while the electric motor is running.
- To remove debris from the chain and chain bar, switch the machine off and pull out the 13A plug. Then unscrew the release screw , to allow the loading tunnel to pivot, thus giving access to the cutting area (See Fig 5a–5d on Page 26).
- All protective and safety devices must be immediately remounted once the repairs or maintenance are complete.

## 8. Residual risks

Despite being used properly, certain residual risk factors cannot be completely ruled out. The following risks associated with the design and construction of the impact shredder may apply:

- Contact with exposed material being drawn into the loading tunnel inlet (cutting hazards).
- Unforeseen, abrupt movement of the material being drawn into the loading tunnel inlet (cutting hazards).
- Flung parts from the ejector chute (cutting/ejection hazards).
- Flung parts of the material being drawn into the loading tunnel inlet (ejection hazards).
- Hearing loss in the event of failure to use the required ear protection.
- Inhaling of work material particles or dust. (Danger of poisoning).
- The appliance must be used correctly.
- The material must be fed into the loading tunnel inlet in the correct way and handled properly.

- The machine must be correctly maintained and adjusted.
- The correct cutting blades must be used. The cutting blades must be in a good condition, with correctly sharpened edges.

## 9. Safety and protective equipment

- Safety switch (Figure 5a/Item A) in the interior on the motor housing.
- Motor overload protector switch. (Operate the ON/OFF switch to OFF & then turn ON again).
- The plunger.

# Set up

## Before starting the equipment

This impact shredder is delivered unassembled and requires complete assembly before use.

### CAUTION!

Check that all parts of the impact shredder are in the box before starting to assemble.

## 1. First Use

### Checking the shredder and product contents

1. Carefully take the impact shredder out of the packaging.
2. Check to make sure that the delivery is complete (see fig. 1).
3. Check whether the impact shredder or the parts exhibit any damage.
4. In the event of damages or missing parts, do not use the impact shredder. Contact the manufacturer via the service address indicated on the warranty card.
5. If possible, please keep the packaging until the end of the guarantee period.

### NOTICE!

The equipment and packaging material are not toys. Do not let children play with plastic bags, foils or small parts. There is a danger of swallowing or suffocating!

## 2. Assembling the Shredder

### **WARNING!**

Before start-up, assemble the shredder properly and completely, including all covers and safety devices.

- Only once you have completed assembly, may you insert the mains plug in the socket.

You will also need the following tools for assembly:

- PH2 star-headed screwdriver

(You may also need one AF 10 open-ended spanner - to hold the axle whilst the nuts are tightened).

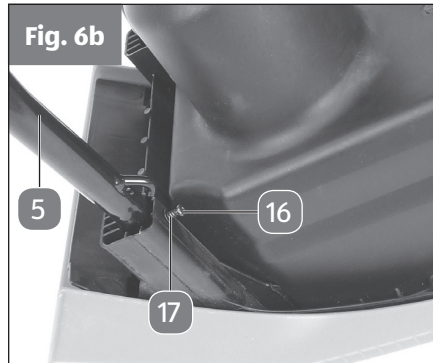
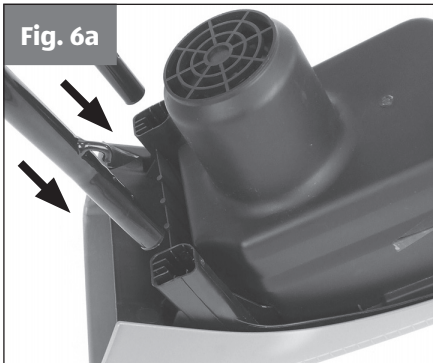
### **Before starting the equipment**

- Before you connect the equipment to the mains supply make sure that the data on the rating plate matches that of your local supply.
- Always pull out the power plug before making adjustments to the equipment.
- The chassis and the wheels must be fitted before use. Follow the operating instructions step-by-step and use the pictures provided as a visual guide to easily assemble the machine.



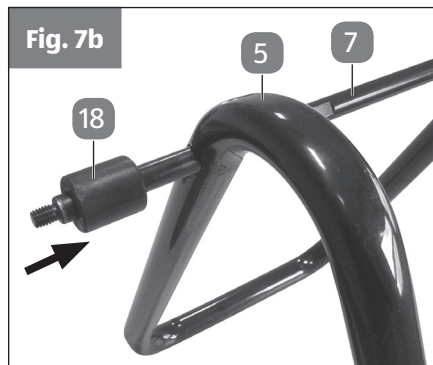
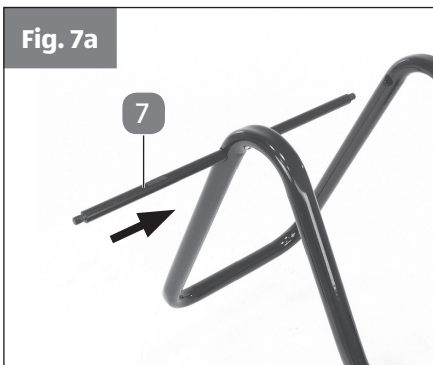
## 1. Assembling the chassis (Fig. 6a/6b)

- Place the motor housing **3** upside down on the floor.
- Insert the tubular chassis **5** into the provided openings as far as the tubes will go.
- Fit the washers **17** under the heads of the screws **16** and then use the screws with the washers to secure the chassis, as shown in Fig. 6b using a PH2 star-headed screwdriver (not included).

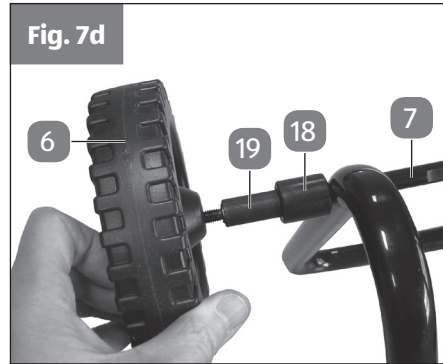
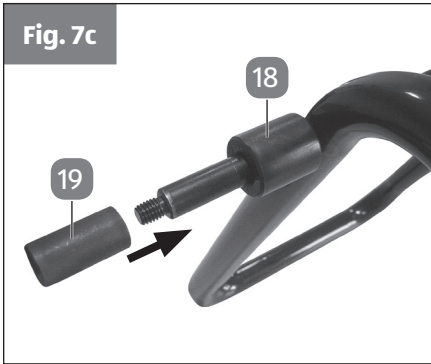


## 2. Assembling the axle and wheels (Figs. 7a-7h)

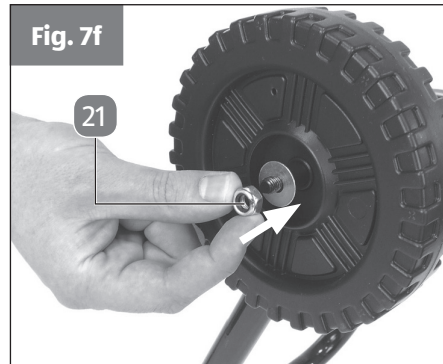
- Remove the sleeves **18** & **19**, nuts **21** and washers **20** from both ends of the axle **5**.
- Mount the axle into the chassis **5** (Fig. 7a)



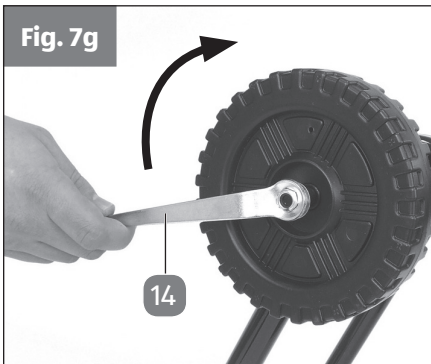
- Refit thick short sleeves **18** & thin long sleeves **19** (Figs. 7b-7d)



- Fit the wheels **6** the washers **20** and then fit the hexagon nuts **21** (Fig. 7d-7f).

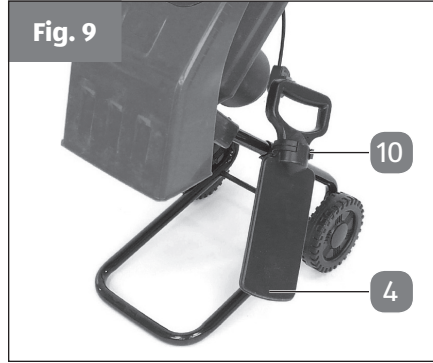
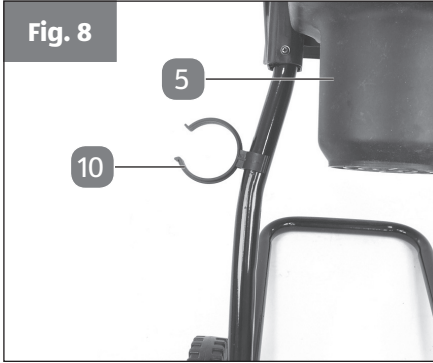


- Tighten the nuts using the supplied ring wrench **14** and fit the wheel hubs **13** (Fig. 7g-7h).



### 3. Fitting the plunger mounting to the chassis (Fig. 8 & Fig. 9)

- Press the small “c” of the plunger mounting 10 onto the chassis 5 as shown in Fig. 8.
- Then the plunger 4 can be fitted into the large “c” of the plunger mounting 10 (Fig. 9).



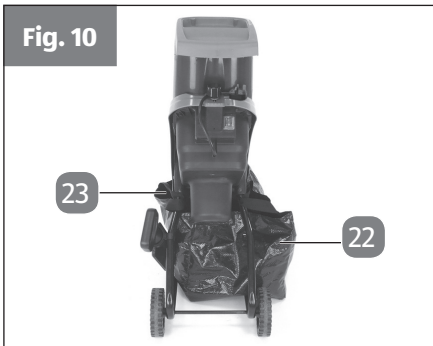
### 4. Fitting the optional debris bag (Not supplied, Fig. 10) to the shredder

As an option you can purchase a debris bag from the manufacturer via the contact information of service address indicated on the warranty card, or the contact information at the foot of the pages.

You will need to provide the product data and part number of the debris bag, from the Ordering replacement parts section on Page 45.

If you purchase a debris bag, then it can be fitted to the shredder as below:

- Fit the debris bag 22 using the loops on the bag, and hang them onto the hooks 23 provided on the chassis 5 as shown in Fig. 10. (See also Fig. 1).



# Use

## Description of components and control elements

### Proper use

This electric garden refuse shredder is designed only for shredding organic garden waste. Place biologically degradable material, e.g. leaves, branches, dead flowers etc., into the loading tunnel inlet.

The equipment is to be used only for its prescribed purpose. Any other use is deemed to be a case of misuse. The user/operator and not the manufacturer will be liable for any damage or injuries of any kind caused as a result of this.

Please note that our equipment has not been designed for use in commercial, trade or industrial applications. Our warranty will be voided if the machine is used in commercial, trade or industrial businesses or for equivalent purposes.

## Operation

Please note that the statutory regulations governing noise abatement may differ from one location to another.

### Each time before use, check the following:

- That the equipment is in perfect condition and that the safety devices are complete.
- That all screws are securely fastened.

### Connecting up the machine and switching it on

- Connect the 13A plug **9** on the shredder power cable (Fig. 11/Item 9) either to a 13A socket on the mains supply or via a 13A, 3-core extension power cable to a 13A socket on the mains supply.
- The shredder can be switched ON (switch position 'I') and OFF (switch position '0') by using the ON/OFF switch **11** (Figure 11/Item 11).

### Overload protection (motor circuit-breaker)

- The motor is protected from overloads by an internal overload switch.
- In case of overloading the equipment will shut down automatically. To restart, set the On/Off switch **11** to the position 'I' (Fig. 11/Item 11).
- If the motor fails to start, clean the ejector chute **26**.

Fig. 11



### Practical tips

- Be sure to observe the safety instructions (see P10-P29).
- Wear work gloves, goggles and ear protection.
- The material is drawn into the shredder automatically.

### CAUTION!

Long pieces of material projecting out of the loading tunnel inlet may whiplash when it is drawn in keep a safe distance between yourself and the machine.

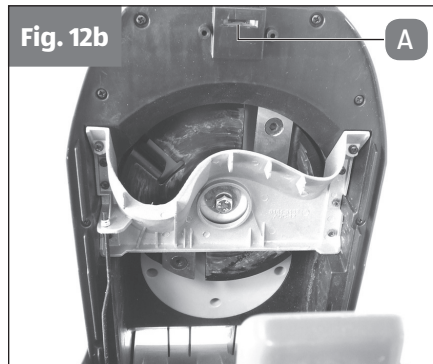
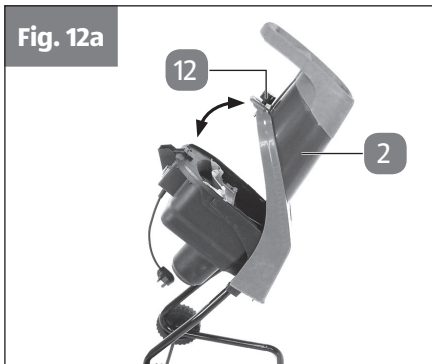
- Judge the quantity of material which you put into the loading tunnel inlet so that the loading tunnel inlet does not clog.
- If you want to shred withered, damp material that has been lying in the garden for several days, alternate between putting in this material and branches. This will help to prevent the loading tunnel becoming clogged with material.
- Do not shred soft waste (e.g. kitchen waste) – put it straight in the compost box.
- Entangled branches and leaves should be thoroughly shredded before loading any more material.
- Do not allow the discharge opening to become clogged with shredded material – risk of pile-ups.
- Do not cover the ventilation slits.
- Do not place heavy material or thick branches into the machine continuously. This may cause the blade to jam.

**Clearing blockages of material from in the shredder (Fig. 11 & 12a–12c)**

- Use the plunger **4** to remove jammed objects from the loading tunnel inlet **1** & use a hook to remove jammed objects from the opening of the ejector chute **26** (See Fig. 11).
- Switch off and unplug the shredder. Then swing open the loading tunnel **2** (Fig. 12a) by opening the release screw **12** (Fig. 12a). You can now remove blockages from the inside of the equipment (Fig. 12b-c).

**NOTICE!**

**Wear work gloves! Risk of injury from the cutting blades.**



## Safety

The shredder has a safety switch **A** (Fig. 12b) in its interior on the motor housing. The control unit for it **7** (Fig. 12c) is located on the inside of the loading tunnel.

If the loading tunnel is not perfectly positioned or if it is not pressed against the motor housing, the safety switch will trip and prevent the motor from working. If this situation occurs, open the loading tunnel as described above. Carefully clean the interior. Close the loading tunnel again as described above and ensure that when you switch on the machine against the loading tunnel is correctly positioned and the safety screw is screwed right in.

### CAUTION!

**NEVER** undo the release screw **12** (Figure 12a) without first switching off the machine at the ON/OFF switch **11** (Figure 11) and disconnecting the shredder 13A plug.

## Malfunction and remedy (FAQ)

Problem	Problem Cause	Corrective Action
<b>The machine does not work</b>	No power at the plug	Check the power at the plug cable and fuse
	Machine is switched off	Switch on machine
	Overload switch has tripped	Set the On/Off switch to the position 'I' to start or restart the electric motor
	Ejector chute is blocked	Clean ejector chute
	Loading tunnel is not secure on the motor housing	Clean interior and tighten safety screw
<b>Shredding performance unsatisfactory</b>	Blades worn	Turn, sharpen or replace blades



# Cleaning

**⚠ CAUTION!**

**Always set the On/Off switch 11- to Stop (0) & disconnect the 13A plug from the mains supply, before starting any cleaning and maintenance work! (See Fig. 1).** Risk of electric shock.

## Carrying out any cleaning work

- Clean the machine regularly. This will help to keep the machine in good working order and is the basis for a long working life.
- Keep the air vent slots clean while you work.
- Clean the plastic body and other plastic parts with a mild household cleaning agent and a damp cloth. Do not use any aggressive agents or solvents for cleaning purposes.
- Never clean the shredder by spraying with water.

**⚠ CAUTION!**

**Prevent water getting inside the machine at all cost.** Risk of electric shock.


# Maintenance and servicing

## Maintenance and Storage

**⚠ CAUTION!**

All maintenance work apart from the work described in this manual may only be carried out by authorised after-sales service personnel such as a qualified electrician or similarly trained person.

**⚠ CAUTION!**

**Always set the On/Off switch  to Stop (0) & disconnect the 13A plug from the mains supply, before starting any cleaning and maintenance work! (See Fig. 1). Risk of electric shock.**

## Maintenance and ordering of spare parts

**⚠ CAUTION!**

**Always set the On/Off switch  to Stop (0) & disconnect the 13A plug from the mains supply, before starting any cleaning and maintenance work! (See Fig. 1). Risk of electric shock.**

## Replace, sharpen and changing blades

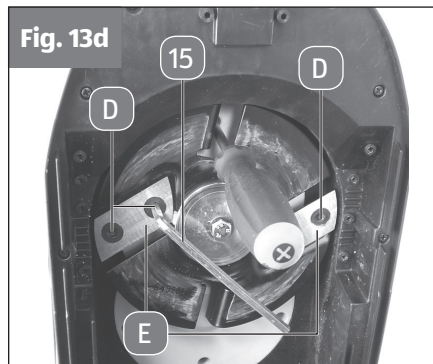
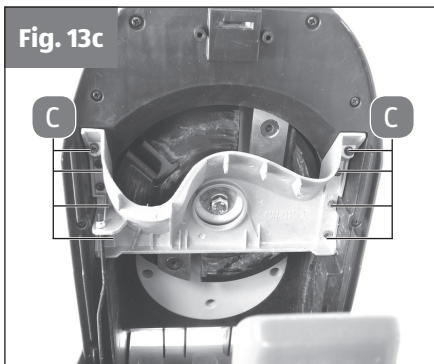
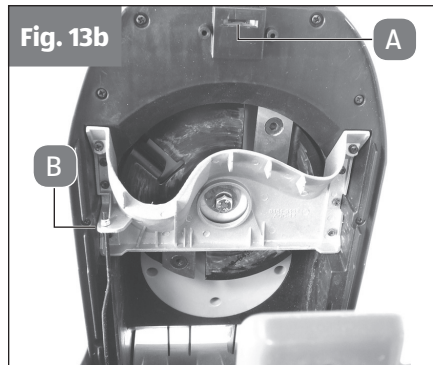
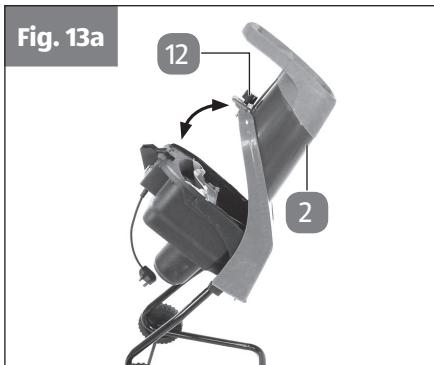
The blades on the blade plate are replaceable. If you have to replace any blade, you must only use genuine blades to ensure that they meet the relevant quality and safety criteria.

**NOTICE!**

For safety we recommend that you have all sharpening and blade replacement is carried out by a specialist workshop.

**Turning the blades****Always wear heavy duty working gloves**

- Swing open the loading tunnel **2** by opening the release screw **12** (See Fig. 13a).
- Undo the fastening nut **B** (See Fig. 13b).
- Undo the eight Philips screws **C** (See Fig. 13c) and remove the cover plate.
- Secure the rotary disk so that it cannot rotate (for example by jamming it with a screwdriver, see Fig. 13d).
- Undo the four blade screws **D** using the hexagon Allen key supplied **15** and remove the blades **E** (See Fig. 13d).
- Each of the blades can be turned once as they are ground sharp on both long edges. (Once they have been turned and the second cutting edges become blunted, then they must be replaced by new blades.) To assemble, proceed in reverse order.



## Storage and transport

### Storing the equipment

- Clean the shredder before storage.
- Store the shredder in a dry room.
- Store the shredder out of reach of children.

### Transport

**⚠ CAUTION!**

**Always set the On/Off switch **11** to Stop (0) & disconnect the 13A plug from the mains supply, before starting any cleaning and maintenance work! (See Fig. 1). Risk of electric shock.**

To transport the shredder, clean it first and then safely support/store the mains cable whilst the shredder is tilted backwards using the handle **8** (See Fig. 1), and wheeled to the new location.

**⚠ CAUTION!**

**Ensure that the 13A plug is clear of the ground and does not drag along the ground or surfaces, during relocation or transport.** Risk of electric shock or fire if the 13A plug is damaged.

## Cleaning

### CAUTION!

**Always set the On/Off switch **11** to Stop (0) & disconnect the 13A plug from the mains supply, before starting any cleaning and maintenance work! (See Fig. 1). Risk of electric shock.**

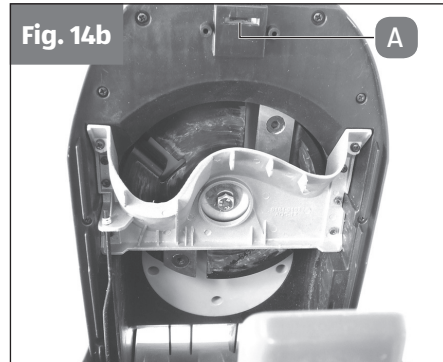
- Clean the machine regularly. This will help to keep the machine in good working order and is the basis for a long working life.
- Check the chassis securing screws and hexagon nuts which secure the wheels, from time to time to ensure that they are tight.
- If you do not intend to use the shredder for a lengthy period, protect it from corrosion using environmentally friendly oil on metal parts.
- When you have finished your work, ensure the shredder is switched off and unplugged. Then swing open the loading tunnel **2** by opening the release screw **12**. You can now clean the inside. Use a brush to remove deposits from metal parts on the inside. Apply a thin coating of oil to the cleaned blade plate and blades (See Fig. 14a-c).

### NOTICE!

**Wear work gloves! Risk of injury from the cutters.**

### NOTICE!

**Before closing the loading tunnel **2**, make sure that the safety switch **A** the control unit for it **7** and the release screw **12** are clean. (See Fig 14a-c).**



## Environmental protection

Dispose of soiled maintenance material and operating materials at the appropriate collection point. Recycle packaging material, metal and plastics.

## Ordering replacement parts

**Please quote the following data when ordering replacement parts:**

- Type of machine (GLEKS 2440).
- Article number of the machine (3430345).
- Identification number of the machine (11026).
- Replacement part number or description of the part required.
- Optional debris bag (343034001077).

For our latest prices and information please go to [www.einhell.co.uk](http://www.einhell.co.uk)

### AFTER SALES SUPPORT


  0151 649 1500  1890 946244

 [www.einhell.co.uk](http://www.einhell.co.uk)

## Replacing the power cable

If the power cable for this equipment is damaged, it must be replaced by the authorised after-sales service personnel such as a qualified electrician or similarly trained person to avoid danger.

 **CAUTION!**

**Always set the On/Off switch  to Stop (0) & disconnect the 13A plug from the mains supply, before starting any cleaning and maintenance work! (See Fig. 1). Risk of electric shock.**

## Technical data

Mains voltage	230 V - 50 Hz
Power input	2400 W (S6-40%) 2000 W (S1)
Idle speed $n_o$	4500 rpm
Branch diameter	max. 40 mm
Sound pressure level $L_{pA}$	85.3 dB
K uncertainty	3 dB (A)
Sound power level $L_{WA}$	LWA 112 dB
Weight	11kg
Protection class	II
Protection type	IPX4

Operating mode S6 40%: Continuous operation with idling (cycle time 10 minutes). To ensure that the motor does not become excessively hot, it may only be operated for 40% of the cycle at the specified rating and must then be allowed to idle for 60% of the cycle.

### Keep the noise emissions and vibrations to a minimum

- Only use appliances which are in perfect working order.
- Service and clean the appliance regularly.
- Adapt your working style to suit the appliance.
- Do not overload the appliance.
- Have the appliance serviced whenever necessary.
- Switch the appliance off when it is not in use.
- Wear protective gloves. Residual risks, even if you use this electric power tool in accordance with instructions, certain residual risks cannot be ruled out.

### CAUTION!

**Wear ear defenders.** The impact of noise can cause damage to your hearing.





Please note that the following parts of this product are subject to normal or natural wear and that the following parts are therefore also required for use as consumables.

Category	Example
Wear parts*	Plunger
Consumables*	Cutter Blades
Missing parts	

\* Not necessarily included in the scope of delivery.

# Declaration of conformity

ISC GmbH · Eschenstraße 6 · D-94405 Landau/Isar



## Declaration of conformity

<b>D</b>	erklärt folgende Konformität gemäß EU-Richtlinie und Normen für Artikel	<b>PL</b>	deklaruje zgodność wymienionego poniżej artykułu z następującymi normami na podstawie dyrektywy WE.
<b>GB</b>	explains the following conformity according to EU directives and norms for the following product	<b>BG</b>	декларира съответното съответствие съгласно Директива на ЕС и норми за артикул
<b>F</b>	déclare la conformité suivante selon la directive CE et les normes concernant l'article	<b>LV</b>	paskaidro šādu atbilstību ES direktīvai un standartiem
<b>I</b>	dichiara la seguente conformità secondo la direttiva UE e le norme per l'articolo	<b>LT</b>	apibūdina šį atitikimą EU reikalavimams ir prekybos normoms
<b>NL</b>	verklaart de volgende overeenstemming conform EU richtlijn en normen voor het product	<b>RO</b>	declară următoarea conformitate conform directivei UE și normelor pentru articolul
<b>E</b>	declara la siguiente conformidad a tenor de la directiva y normas de la UE para el artículo	<b>GR</b>	δηλώνει την ακόλουθη συμμόρφωση σύμφωνα με την Οδηγία ΕΚ και τα πρότυπα για το προϊόν
<b>P</b>	declara a seguinte conformidade, de acordo com as diretiva CE e normas para o artigo	<b>HR</b>	potvrđuje sljedeću usklađenost prema smjernicama EU i normama za artikl
<b>DK</b>	attesterer følgende overensstemmelse i medfør af EU-direktiv samt standarder for artiklet	<b>BIH</b>	potvrđuje sljedeću usklađenost prema smjernicama EU i normama za artikl
<b>S</b>	förklarar följande överensstämmelse enl. EU-direktiv och standarder för artikeln	<b>RS</b>	potvrđuje sledeću usklađenost prema smernicama EZ i normama za artikla
<b>FIN</b>	vakuuttaa, että tuote täyttää EU-direktiivin ja standardien vaatimukset	<b>RUS</b>	следующим удостоверяется, что следующие продукты соответствуют директивам и нормам ЕС
<b>EE</b>	tõendab toote vastavust EL direktiivile ja standarditele	<b>UKR</b>	проголошує про зазначену нижче відповідність виробу директивам та стандартам ЄС на виробі
<b>CZ</b>	vydává následující prohlášení o shodě podle směrnice EU a norem pro výrobek	<b>MK</b>	ja izjavuva slednata soobraznost согласно EU-директивата и нормите за артикли
<b>SLO</b>	potvrjuje sledečo skladnost s smernico EU in standardi za izdelek	<b>TR</b>	Ürünü ile ilgili AB direktifleri ve normları gereğince aşağıda açıklanan uygunluğu belirtir
<b>SK</b>	vydává nasledujúce prehlásenie o zhode podľa smernice EÚ a noriem pre výrobok	<b>N</b>	erklærer følgende samsvar i henhold til EU-direktivet og standarder for artikkel
<b>H</b>	a cikkekhez az EU-irányvonal és Normák szerint a következők konformitást jelent ki	<b>IS</b>	Lýsir uppfyllingu EU-reglna og annarra staðla vöru

## Electric Knife Shredder GLEKS 2440 (Gardening Essentials)

<input type="checkbox"/> 2014/29/EU	<input checked="" type="checkbox"/> 2006/42/EC
<input type="checkbox"/> 2005/32/EC_2009/125/EC	<input type="checkbox"/> Annex IV Notified Body: Notified Body No.: Reg. No.:
<input type="checkbox"/> 2014/35/EU	<input checked="" type="checkbox"/> 2000/14/EC_2005/88/EC
<input type="checkbox"/> 2006/28/EC	<input checked="" type="checkbox"/> Annex V
<input checked="" type="checkbox"/> 2014/30/EU	<input type="checkbox"/> Annex VI Noise: measured $L_{WA} = 102,61$ dB (A); guaranteed $L_{WA} = 112$ dB (A) $P = 2,4$ kW (S6/40%) / 2,0 kW (S1); $L/O = cm$ Notified Body:
<input type="checkbox"/> 2014/32/EU	<input type="checkbox"/> 2004/26/EC Emission No.:
<input type="checkbox"/> 2014/53/EC	
<input type="checkbox"/> 2014/68/EU	
<input type="checkbox"/> 90/396/EC_2009/142/EC	
<input type="checkbox"/> 89/686/EC_96/58/EC	
<input checked="" type="checkbox"/> 2011/65/EU	

Standard references: EN 13683; EN 60335-1; EN 62233;  
EN 55014-1; EN 55014-2; EN 61000-3-2; EN 61000-3-3

Landau/Isar, den 19.02.2016

  
Weichselgartner/General-Manager

  
Liu/Product-Management

First CE: 12  
Art.-No.: 34.303.45 I.-No.: 11026  
Subject to change without notice

Archive-File/Record: NAPR013531  
Documents registrar: Patrick Willnecker  
Wiesenweg 22, D-94405 Landau/Isar

AFTER SALES SUPPORT

  0151 649 1500  1890 946244

 [www.einhell.co.uk](http://www.einhell.co.uk)

49

# Warranty

## Warranty FAQ's

### How do I claim for a warranty matter?

1. Fill in the Warranty card and send to the Einhell UK Ltd Address.
2. Contact Einhell UK Ltd, using one of the Telephone numbers for AFTER SALES SUPPORT.
3. Or contact via the Einhell UK Ltd website.

### How do I obtain spare parts (not covered by the warranty)?

Make sure you have the information from the product data label, or page 45 of this manual, and then: -

1. Contact Einhell UK Ltd, using one of the Telephone numbers for AFTER SALES SUPPORT, and choose the option for Spare Parts.
2. Or contact via the Einhell UK Ltd website, where spares information & prices are available.



# WARRANTY CARD



## 2400 W ELECTRIC IMPACT SHREDDER

### Your details:

Name \_\_\_\_\_

Address \_\_\_\_\_

\_\_\_\_\_

 \_\_\_\_\_ Email: \_\_\_\_\_

Date of purchase\* \_\_\_\_\_

\*We recommend you keep the receipt with this warranty card

Location of purchase \_\_\_\_\_

Description of malfunction:

If after contacting the manufacturer you are requested to return the faulty product please return the completed warranty card together with it.

Einhell UK Ltd  
Unit 9, Stadium Court  
Wirral International Business Park  
Plantation Road  
Bromborough  
CH62 3QG

### AFTER SALES SUPPORT

  0151 649 1500  1890 946244

 [www.einhell.co.uk](http://www.einhell.co.uk)

MODEL: **GLEKS 2440** PRODUCT CODE: **66926 08/2016**

Aftersales support available:  
Monday - Thursday: 8:45am - 5pm  
Friday: 8:45am - 3pm

Please add the Ser.-Nr. in the box below:



You will find the 7 character Ser.-Nr. here →

**1**  
**YEAR**  
**WARRANTY**

# Warranty conditions

Dear Customer,

The **Aldi warranty** offers you extensive benefits in addition to your statutory rights:

**Warranty period:** 1 year from date of purchase.

**Costs:** Free repair/exchange.  
No transport costs.

**Hotline:** 0151 649 1500 (or from Rep. Ireland 1890 946244).

**ADVICE:** Please contact our service hotline by phone or email. This allows us to provide support in the event of possible operator errors.

**In order to make a claim under the warranty, please send us:**

- A copy of the original purchase receipt and the completed warranty card.

**The warranty does not cover** damage caused by:

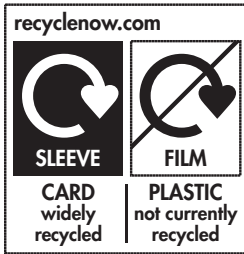
- **Accident** or **unanticipated events** (e.g. lightning, water, fire).
- **Improper use** or **transport**.
- **Disregard of the safety** and **maintenance instructions**.
- Other **improper treatment** or **modification**.

After the expiry of the warranty period, you still have the possibility to have your product repaired at your own expense. If the repair or the estimate of costs is not free of charge you will be informed accordingly in advance.

This warranty does not affect you statutory rights. The period of the warranty can only be extended in accordance with a legal standard. In countries where a (compulsory) warranty and/or spare part storage and/or a system for compensation are/is required by law, the statutory minimum conditions apply. In the event that a product is received for repair, neither the service company nor the seller will assume any liability for data or settings possibly stored on the product by the customer.

## Recycling

The unit is supplied in packaging to prevent it being damaged in transit. This packaging is raw material and can therefore be reused or can be returned to the raw material stream.



**The packaging material is partly recyclable.** Dispose of the packaging in an environmentally friendly way adding to your recyclable waste bin, or by taking it to a public collection centre.

The unit and its accessories are made of various types of material, such as metal and plastic. Defective components must be disposed of as special waste. Ask your dealer or your local council.



### For EU countries only

Never place any electric tools in your household refuse.

To comply with European Directive 2012/19/EU concerning old electric and electronic equipment and its implementation in national laws, old electric tools have to be separated from other waste and disposed of in an environment-friendly fashion, e.g. by taking to a recycling depot.

Recycling alternative to the demand to return electrical devices: As an alternative to returning the electrical device, the owner is obliged to cooperate in ensuring that the device is properly recycled if ownership is relinquished. This can also be done by handing over the used device to a returns centre, which will dispose of it in accordance with national commercial and industrial waste management legislation. This does not apply to the accessories and auxiliary equipment which are included with the used device.

The reprinting or reproduction by any other means, in whole or in part, of documentation and papers accompanying products is permitted only with the express consent of Einhell UK Ltd.

#### AFTER SALES SUPPORT

  0151 649 1500  1890 946244

 [www.einhell.co.uk](http://www.einhell.co.uk)



**Spend a little Live a lot**

Great care has gone into the manufacture of this product and it should therefore provide you with years of good service when used properly. In the event of product failure within its intended use over the course of the first 1 year after date of purchase, we will remedy the problem as quickly as possible once it has been brought to our attention. In the unlikely event of such an occurrence, or if you require any information about the product, please contact us via our helpline support services, details of which are to be found both in this manual and on the product itself.

If you are not entirely satisfied with this product, please return it to the store where it was purchased and we will be pleased to replace or refund it. This does not affect your statutory rights.



**PRODUCED IN CHINA FOR:**

ALDI STORES LTD., PO BOX 26, ATHERSTONE,  
WARWICKSHIRE, CV9 2SH.

ALDI STORES (IRELAND) LTD.  
PO BOX 726, NAAS, CO. KILDARE.  
Visit us at [www.aldi.com](http://www.aldi.com)

**AFTER SALES SUPPORT**



☎ 0151 649 1500  
☎ 1890 946244



[www.einhell.co.uk](http://www.einhell.co.uk)

Model: GLEKS 2440

PRODUCT CODE: 66926

08.2016

