

Original operating Instructions  
Jigsaw

**Einhell®**

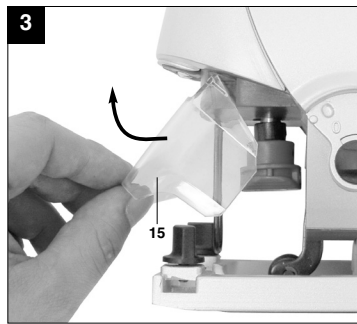
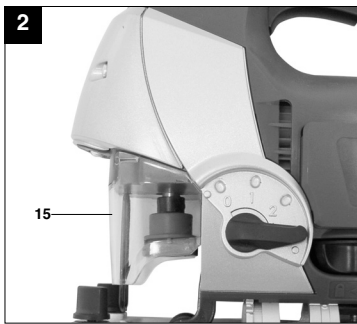
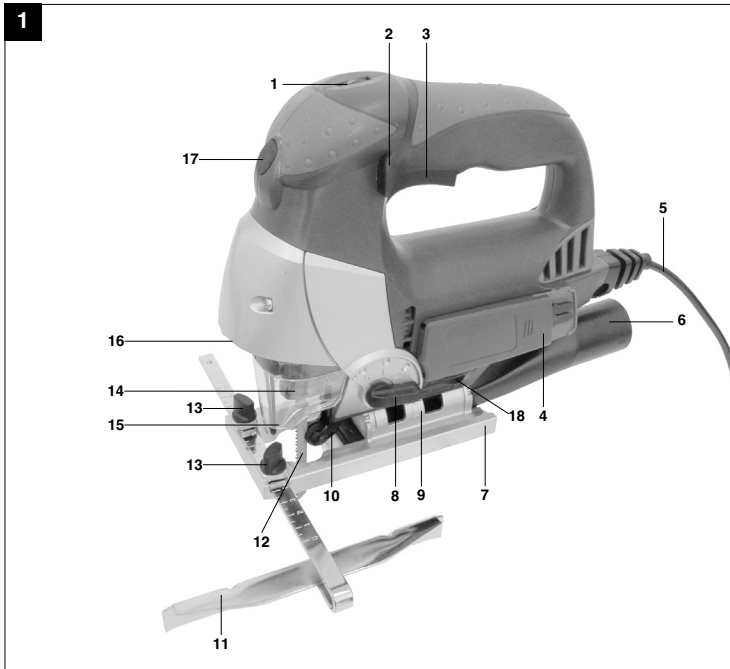
7

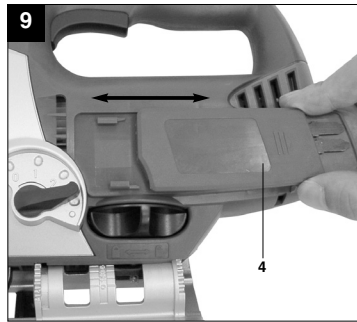
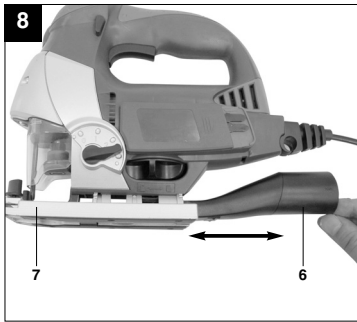
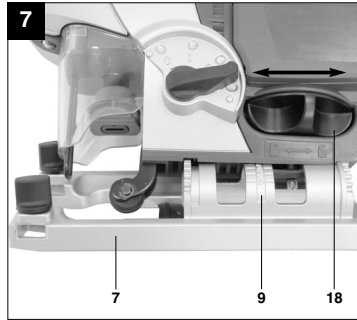
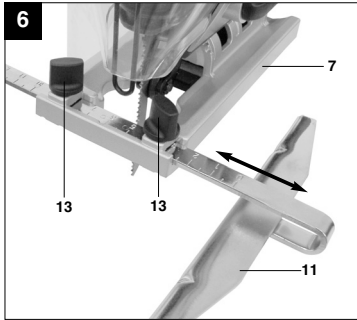
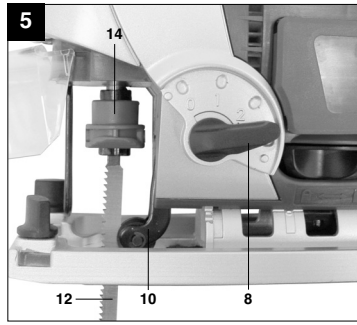
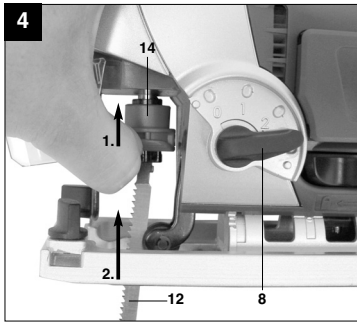
Art.-Nr.: 43.210.83

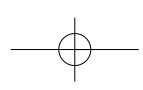
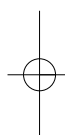
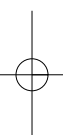
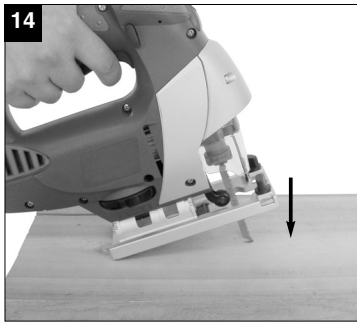
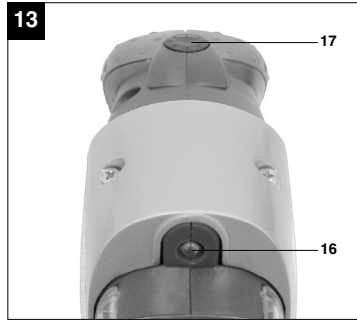
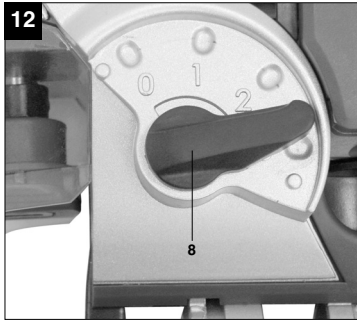
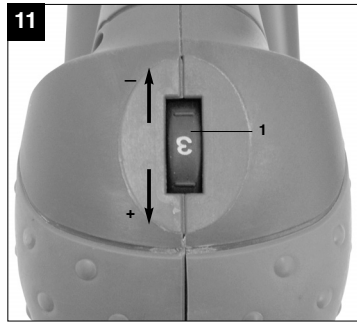
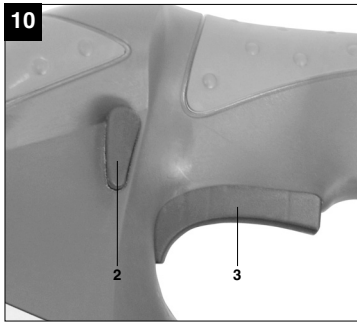
I.-Nr.: 01019

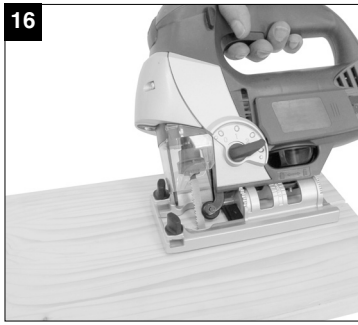


RT-JS **85**









**GB**



"Caution - Read the operating instructions to reduce the risk of injury"



**Wear ear-muffs.**  
The impact of noise can cause damage to hearing.



**Wear a breathing mask.**  
Dust which is injurious to health can be generated when working on wood and other materials.  
Never use the device to work on any materials containing asbestos!



**Wear safety goggles.**  
Sparks generated during working or splinters, chips and dust emitted by the device can cause loss of sight.



### ⚠ Important!

When using the equipment, a few safety precautions must be observed to avoid injuries and damage. Please read the complete operating instructions and safety regulations with due care. Keep this manual in a safe place, so that the information is available at all times. If you give the equipment to any other person, hand over these operating instructions and safety regulations as well. We cannot accept any liability for damage or accidents which arise due to a failure to follow these instructions and the safety instructions.

## 1. Safety information

Please refer to the booklet included in delivery for the safety instructions.

### ⚠ CAUTION!

**Read all safety regulations and instructions.**

Any errors made in following the safety regulations and instructions may result in an electric shock, fire and/or serious injury.

**Keep all safety regulations and instructions in a safe place for future use.**

## 2. Layout (Fig. 1)

1. Knurled screw for speed control
2. Locking button
3. ON/OFF switch
4. Holder for saw blades
5. Power cable
6. Adapter for dust extraction system
7. Adjustable soleplate
8. Selector switch for pendulum action
9. Dial scale for soleplate
10. Guide roller
11. Parallel stop
12. Saw blade
13. Locking screws for parallel stop
14. Blade holder
15. Safety guard
16. LED lamp
17. ON/OFF switch for LED lamp
18. Locking screw for soleplate

## 3. Proper use

The jigsaw is designed for sawing wood, iron, non-ferrous metals and plastics using the appropriate saw blades.

The machine is to be used only for its prescribed purpose. Any other use is deemed to be a case of misuse. The user / operator and not the manufacturer will be liable for any damage or injuries of any kind caused as a result of this.

Please note that our equipment has not been designed for use in commercial, trade or industrial applications. Our warranty will be voided if the machine is used in commercial, trade or industrial businesses or for equivalent purposes.

## 4. Technical data

Mains voltage:	230 V~ 50 Hz
Power input:	750 W
Stroke speed:	800 – 3,000 min <sup>-1</sup>
Stroke height:	23 mm
Cutting depth, wood:	85 mm
Cutting depth, plastic:	12 mm
Cutting depth, iron:	8 mm
Miter cut:	up to 45° (left and right)
Protection class:	II /
Weight:	2.5 kg

## Sound and vibration

Sound and vibration values were measured in accordance with EN 60745.

L <sub>pA</sub> sound pressure level	87,3 dB(A)
K <sub>pA</sub> uncertainty	3 dB
L <sub>WA</sub> sound power level	98,3 dB(A)
K <sub>WA</sub> uncertainty	3 dB

### Wear ear-muffs.

The impact of noise can cause damage to hearing.

Total vibration values (vector sum of three directions) determined in accordance with EN 60745.

**GB****Cutting wood**Vibration emission value  $a_{rh} = 5,573 \text{ m/s}^2$ K uncertainty =  $1,5 \text{ m/s}^2$ **Cutting sheet metal**Vibration emission value  $a_{rh} = 7,136 \text{ m/s}^2$ K uncertainty =  $1,5 \text{ m/s}^2$ **⚠ Important!**

The vibration value changes according to the area of application of the electric tool and may exceed the specified value in exceptional circumstances.

**Keep the noise emissions and vibrations to a minimum.**

- Only use appliances which are in perfect working order.
- Service and clean the appliance regularly.
- Adapt your working style to suit the appliance.
- Do not overload the appliance.
- Have the appliance serviced whenever necessary.
- Switch the appliance off when it is not in use.
- Wear protective gloves.

**5. Before starting the equipment**

Before you connect the equipment to the mains supply make sure that the data on the rating plate are identical to the mains data.

Always pull the power plug before making adjustments to the equipment.

**5.1 Safety guard (Fig. 2-3/Item 15)**

- The safety guard (15) protects the user from accidentally touching the saw blade (12) and nevertheless enables you a free view of the cutting area.
- The safety guard (15) must always be fitted and in position before starting any sawing work.
- The safety guard (15) can be pulled up as shown in Figure 3.

**5.2 Changing the saw blade (Figs. 4-5/Item 12)****⚠ Important!**

- You can fit or replace saw blades without using any other tools.
- Pull the mains plug before you fit or replace a saw blade.
- Set the selector switch for pendulum action (8) to position 3.
- The teeth of the saw blade are very sharp!

- Pull up the safety guard (15) (see point 5.1).
- Press the blade holder (14) and insert the saw blade (12) into the blade holder (14) as far as the stop (Fig. 4). The teeth on the saw blade must be pointing forwards.
- Allow the blade holder (14) to slide back to starting position. The saw blade (12) must sit in the guide roller (10) (Figure 5).
- Check that the saw blade (12) is securely mounted in the blade holder.
- Follow the instructions above in reverse order to remove the saw blade.

**5.3 Installing the parallel stop (Figure 6/Item 11)**

- The parallel stop (11) enables you to saw parallel cuts.
- Undo the two locking screws (13) on the soleplate (7).
- Now slide the parallel stop (11) into the guides on the soleplate (7). You can fit the parallel stop (11) on either the left or right of the equipment.
- The guide strip must always face downwards. Set the required distance using the measurement scale on the parallel stop (11) and tighten the locking screws (13) again.

**5.4 Setting the soleplate for miter cuts (Fig. 7)**

- Undo the locking screw (18) on the soleplate.
- Pull the soleplate (7) slightly forward. The soleplate can now be swiveled a maximum  $45^\circ$  to the left and right.
- If the soleplate (7) is pushed back to the rear again it will only function in the locking positions at  $0^\circ$ ,  $15^\circ$ ,  $30^\circ$  and  $45^\circ$ , which are marked on the graduated scale for the soleplate (9). Move the soleplate into the required position and refasten the locking screw (18).
- However, the soleplate (7) is also easily set to another angle. To do so, slide the soleplate (7) forwards, set the desired angle and refasten the locking screw (18).

**5.5 Adapter for dust extraction system (Figure 8/Item 6)**

- Connect your jigsaw to a vacuum cleaner using the adaptor for dust extraction (6). This will provide excellent dust extraction on the workpiece. The benefits are that you will protect both the equipment and your own health. Your work area will also be cleaner and safer.
- Dust created when working may be dangerous. Refer to the section entitled "Safety instructions".
- Fit the adapter (6) as shown in Figure 8. The adapter (6) must audibly engage to ensure that it is secure in the soleplate (7). The adapter for chip extraction (6) cannot be used for miter cuts.
- Fit the vacuum tube of the vacuum cleaner onto





the adaptor opening (6). Check that the connections are airtight.

#### 5.6 Holder for saw blades (Fig. 9/Item 4)

There is a holder for saw blades on the jigsaw (4). This holder can be taken off the machine. To do this, slide the holder backwards. To secure the holder (4) place it in the appropriate guides and then slide the holder forwards.

## 6. Operation

### 6.1 ON/OFF switch (Fig. 10/Item 3)

#### To switch on:

Press the ON/OFF (3) switch

#### To switch off:

Release the ON/OFF (3) switch

### 6.2 Locking button (Fig. 10/Item 2)

You can lock the ON/OFF switch (3) using the locking button (2) when the equipment is in operation. To lock it, press the ON/OFF switch (3) and slide the locking button (2) to the left or right. To switch off the equipment briefly hold down the ON/OFF switch (3).

### 6.3 Electric speed selector (Fig. 11/Item 1)

You can pre-select the required speed with the speed selector. Turn the speed selector in PLUS direction to increase the speed and turn the speed selector in MINUS direction to reduce the speed. The suitable stroke speed is dependent on the relevant material and working conditions.

General rules for cutting speeds for metal cutting work must be complied with here as well.

You can generally use a higher speed with fine saw blades whilst coarser saw blades require lower speeds.

**Position 1-2** = low stroke speed (for steel)

**Position 3-4** = medium stroke speed (for steel, soft metal, plastic)

**Position 5-6** = high stroke speed (for softwood, hardwood, soft metal, plastic)

### 6.4 Setting the pendulum action (Fig. 12/Item 8)

- The strength of the pendulum action of the saw blade (12) can be adjusted using the selector switch for pendulum action (8).
- You can adjust the cutting speed, the cutting performance and the finish to the workpiece you wish to saw.

Set the selector switch for pendulum action (8) to one of the following positions:

#### Position 0: No pendulum action

**Material:** Rubber, ceramic, aluminium, steel

**Please note:** For fine and clean cuts, thin materials (e.g. sheet steel) and hard materials.

#### Position 1: Small pendulum action

**Material:** Plastic, wood, aluminium

**Please note:** For hard materials

#### Position 2: Medium pendulum action

**Material:** Wood

#### Position 3: Large pendulum action

**Material:** Wood

**Please note:** For soft materials and sawing along the grain

The best combination of speed and pendulum action depends on the material you wish to saw. We recommend you to make a trial cut on a waste piece in order to check the ideal settings.

### 6.5 LED lamp (Fig. 13/Item 16)

The LED lamp (16) can be used in poor lighting conditions to additionally illuminate the cutting position. Press the switch (17) to switch on. To switch off, press the switch (17) again.

### 6.6 Making cuts

- Ensure that the ON/OFF switch (3) is not depressed. Only then should you connect the mains plug to a suitable socket.
- Do not switch on the jigsaw until you have fitted a saw blade.
- Use only saw blades that are in perfect condition. Replace blunt, bent or cracked saw blades immediately.
- Place the saw foot flat on the workpiece you wish to saw. Switch on the jigsaw.
- Allow the saw blade to accelerate until it reaches full speed. Then slowly move the saw blade along the cutting line. Only exert gentle pressure on the saw blade as you do so.
- When cutting metal, apply a suitable coolant along the line you wish to cut.

### 6.7 Sawing out sections (Fig. 14)

Drill a 10 mm hole in the section you wish to saw out. Insert the saw blade into this hole and start to saw out the required section.

**GB**

#### 6.8 Making parallel cuts

- Mount the parallel stop and adjust as required (see section 5.3).
- Observe the instructions in section 6.6.
- Cut as shown in Figure 15.

#### 6.9 Making miter cuts (Fig. 16)

- Set the angle on the soleplate (see section 5.4).
- Observe the instructions in section 6.6.
- Cut as shown in Figure 16.

### 7. Replacing the power cable

If the power cable for this equipment is damaged, it must be replaced by the manufacturer or its after-sales service or similarly trained personnel to avoid danger.

### 8. Cleaning, maintenance and ordering of spare parts

Always pull out the mains power plug before starting any cleaning work.

#### 8.1 Cleaning

- Keep all safety devices, air vents and the motor housing free of dirt and dust as far as possible. Wipe the equipment with a clean cloth or blow it with compressed air at low pressure.
- We recommend that you clean the device immediately each time you have finished using it.
- Clean the equipment regularly with a moist cloth and some soft soap. Do not use cleaning agents or solvents; these could attack the plastic parts of the equipment. Ensure that no water can seep into the device.

#### 8.2 Carbon brushes

- In case of excessive sparking, have the carbon brushes checked only by a qualified electrician. Important! The carbon brushes should not be replaced by anyone but a qualified electrician.

#### 8.3 Maintenance

- There are no parts inside the equipment which require additional maintenance.

#### 8.4 Ordering replacement parts:

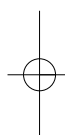
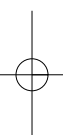
Please quote the following data when ordering replacement parts:

- Type of machine
  - Article number of the machine
  - Identification number of the machine
  - Replacement part number of the part required
- For our latest prices and information please go to [www.isc-gmbh.info](http://www.isc-gmbh.info)

### 9. Disposal and recycling

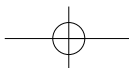
The unit is supplied in packaging to prevent its being damaged in transit. This packaging is raw material and can therefore be reused or can be returned to the raw material system.

The unit and its accessories are made of various types of material, such as metal and plastic. Defective components must be disposed of as special waste. Ask your dealer or your local council.



©  
The reprinting or reproduction by any other means, in whole or in part,  
of documentation and papers accompanying products is permitted only  
with the express consent of ISC GmbH.

• Technical changes subject to change



# **GUARANTEE CERTIFICATE**

## Dear Customer,

All of our products undergo strict quality checks to ensure that they reach you in perfect condition. In the unlikely event that your device develops a fault, please contact our service department at the address shown on this guarantee card. Of course, if you would prefer to call us then we are also happy to offer our assistance under the service number printed below. Please note the following terms under which guarantee claims can be made:

1. These guarantee terms cover additional guarantee rights and do not affect your statutory warranty rights. We do not charge you for this guarantee.
2. Our guarantee only covers problems caused by material or manufacturing defects, and it is restricted to the rectification of these defects or replacement of the device. Please note that our devices have not been designed for use in commercial, trade or industrial applications. Consequently, the guarantee is invalidated if the equipment is used in commercial, trade or industrial applications or for other equivalent activities. The following are also excluded from our guarantee: compensation for transport damage, damage caused by failure to comply with the installation/assembly instructions or damage caused by unprofessional installation, failure to comply with the operating instructions (e.g. connection to the wrong mains voltage or current type), misuse or inappropriate use (such as overloading of the device or use of non-approved tools or accessories), failure to comply with the maintenance and safety regulations, ingress of foreign bodies into the device (e.g. sand, stones or dust), effects of force or external influences (e.g. damage caused by the device being dropped) and normal wear resulting from proper operation of the device. This applies in particular to rechargeable batteries for which we nevertheless issue a guarantee period of 12 months.  
  
The guarantee is rendered null and void if any attempt is made to tamper with the device.
3. The guarantee is valid for a period of 2 years starting from the purchase date of the device. Guarantee claims should be submitted before the end of the guarantee period within two weeks of the defect being noticed. No guarantee claims will be accepted after the end of the guarantee period. The original guarantee period remains applicable to the device even if repairs are carried out or parts are replaced. In such cases, the work performed or parts fitted will not result in an extension of the guarantee period, and no new guarantee will become active for the work performed or parts fitted. This also applies when an on-site service is used.
4. In order to assert your guarantee claim, please send your defective device postage-free to the address shown below. Please enclose either the original or a copy of your sales receipt or another dated proof of purchase. Please keep your sales receipt in a safe place, as it is your proof of purchase. It would help us if you could describe the nature of the problem in as much detail as possible. If the defect is covered by our guarantee then your device will either be repaired immediately and returned to you, or we will send you a new device.

Of course, we are also happy offer a chargeable repair service for any defects which are not covered by the scope of this guarantee or for units which are no longer covered. To take advantage of this service, please send the device to our service address.

Poweron Imports Limited  
17 Lorien Place  
East Tamaki  
Manukau City 2161  
Auckland  
Telephone (09) 2746950