

Hedge Trimmer HEC 551

Art.-No.: 34.035.13

bar code: 4006825507607

sales unit: 4 pcs

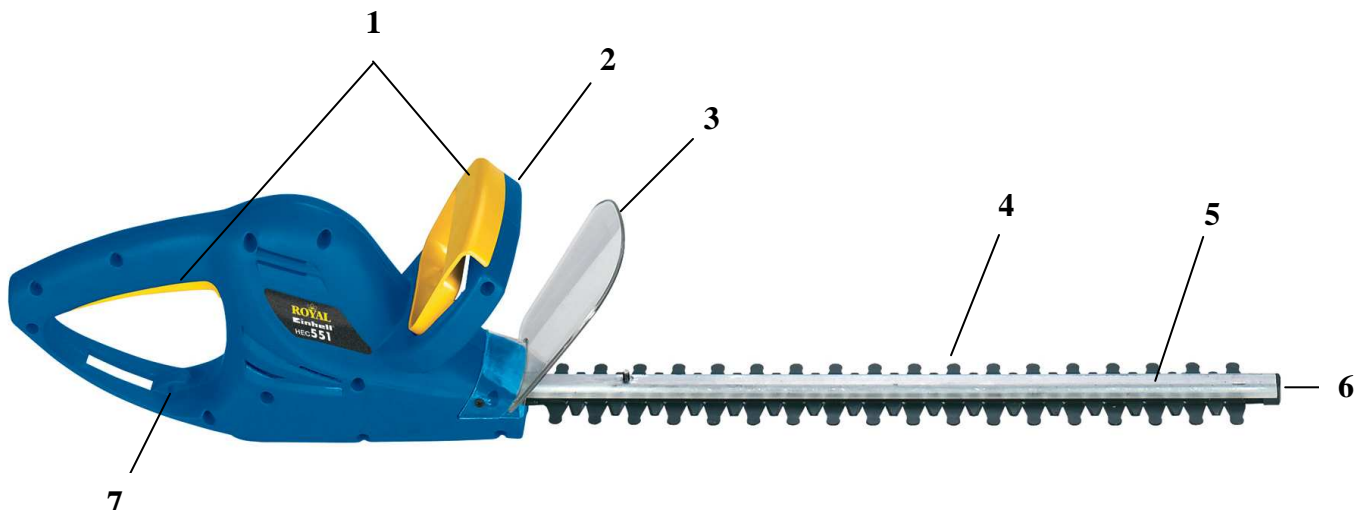
A practical helper to neatly cut even the thickest hedges. Silent, safe and environmentally friendly in its use: The driving gear provides high cutting efficiency and an effective cut-off in case overload. The counter rotating, double bladed cutting knives are made of precision sharpened special steel. The ON/OFF (dead man's) switch and a large hand protection shield warrant a safe operation. Supplied with a sturdy knife protection cover.

Features:

- ON/OFF-dead man's safety switch (1)
- Additional handle for optimal handling (2)
- Large hand protection shield (3)
- Counter rotating, double safety blades made of precise sharpened special steel (4)
- Protection sleeve (not illustrated)
- Aluminium knife cover (5)
- Impact protection (6)
- Cable strain relief (7)
- **Two-hand safety switch with blade stop in less than 0,5 sec.**
- **Metal gearing for long life**

Technical data:

- Mains: 230 V ~ 50 Hz
- Power: 550 watts
- Cutting length: 46.5 cm
- Cutting thickness: 14 mm
- Sword length: 53 cm
- Teeth spacing: 18 mm
- Cuts per minute: 3200
- Weight: 3.5 kg
- Packing dimensions: 1000 x 160 x 190 mm



Abbildungen können nicht im Serien-Lieferumfang enthaltene Zubehör darstellen / Illustrations can contain accessories, which are not included in standard extent of delivery.

Abbildungen ähnlich, produktionsbedingte Abweichung vorbehalten / Illustration similar (in design), production-wise modifications reserved

File: S:\shared-pool\Product-Dokumentation\T-Produktbeschreibung\30_n0t\Originale_Englisch_PA04\3403513_01014.doc

Erstelldatum / create date: 11.08.2004 11:42:00

Aktualisiert / up dated: 28.02.2008