



User Manual

FERREX® ELECTRIC SCARIFIER AND LAWN AERATOR F-EVL 1536-1 UK



Original instructions

Contents

- Package contents** 3
- General information** 8
 - Reading and storing the user manual 8
 - Explanation of symbols 8
- Safety** 10
 - Intended use 10
 - Residual hazards 10
 - Safety information 10
- Using for the first time** 16
 - Checking the scarifier and items supplied 16
 - Assembling the scarifier 17
- Operation** 18
- Cleaning and maintenance** 23
 - Cleaning the scarifier 24
 - Maintenance 24
 - Replacing the power cable 25
 - Inspecting the scarifier 25
- Storage** 26
 - Wall mounting 27
- Spare parts and accessories** 27
- Technical data** 28
- Noise/vibration information** 28
- Disposal** 30
 - Disposing of the packaging 30
 - Disposing of the scarifier 30
- Troubleshooting guide** 31
- Declaration of conformity** 34

Great care has gone into the manufacture of this product and it should therefore provide you with years of good service when used properly. In the event of product failure within its intended use over the course of the first 3 years after date of purchase, we will remedy the problem as quickly as possible once it has been brought to our attention. In the unlikely event of such an occurrence, or if you require any information about the product, please contact us via our helpline support services, details of which are to be found both in this manual and on the product itself.



PRODUCED IN CHINA FOR:

ALDI STORES LTD. PO BOX 26, ATHERSTONE
WARWICKSHIRE, CV9 2SH.

ALDI STORES (IRELAND) LTD.
PO BOX 726, NAAS, CO. KILDARE.
www.aldi.com

AFTER SALES SUPPORT 803586

GB 0151 649 1500 IE 01890 946 244

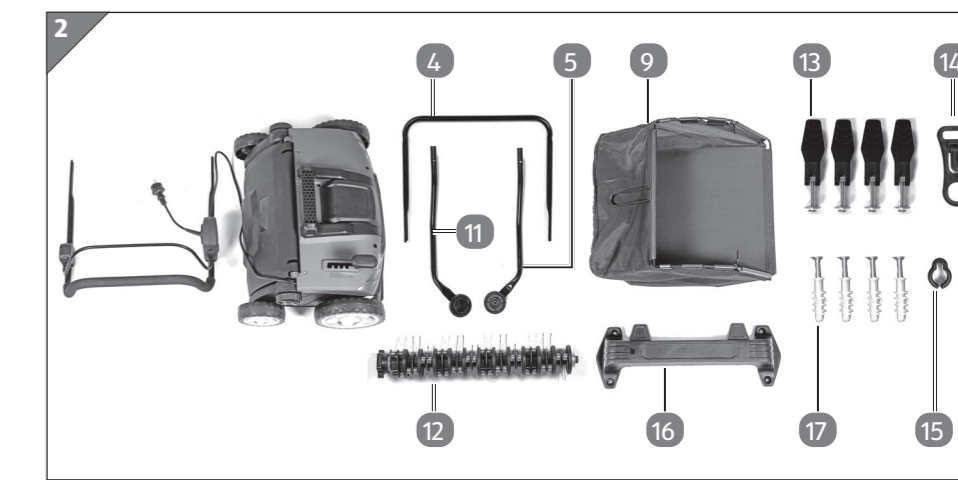
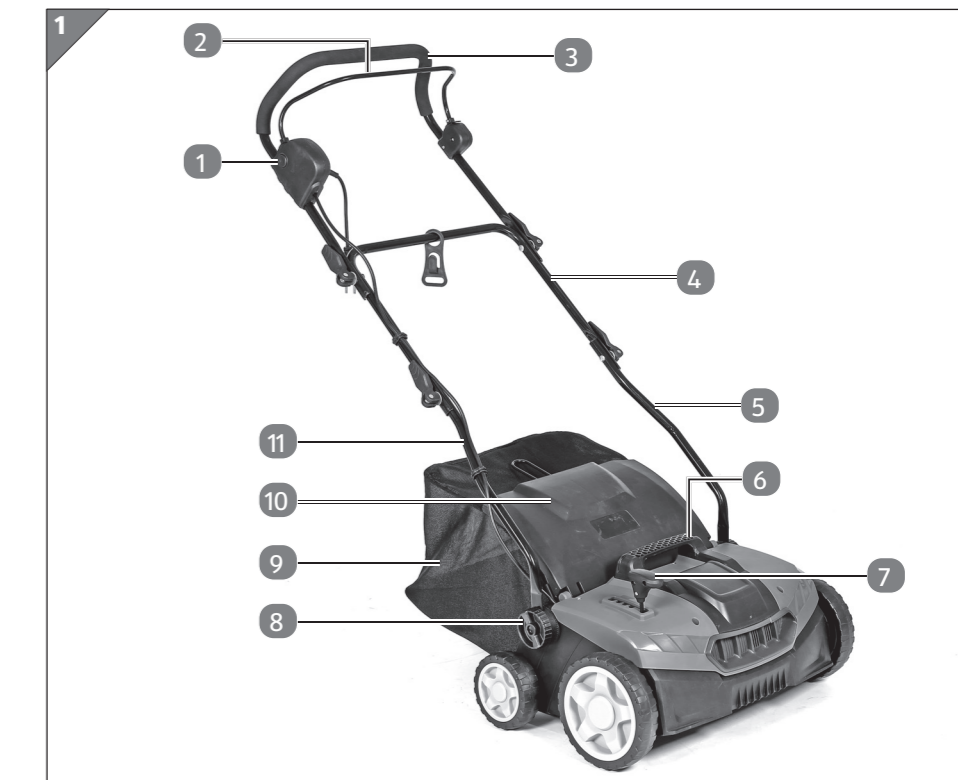
www.einhell.co.uk

MODEL: F-EVL 1536-1 UK 03/2021

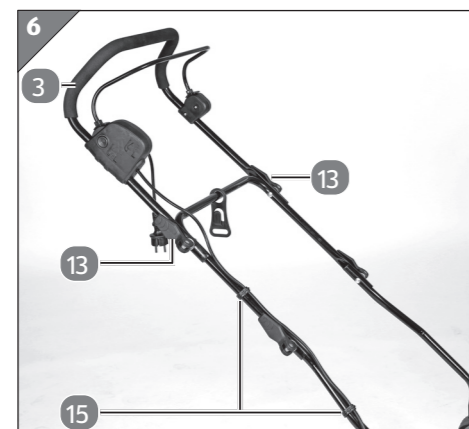
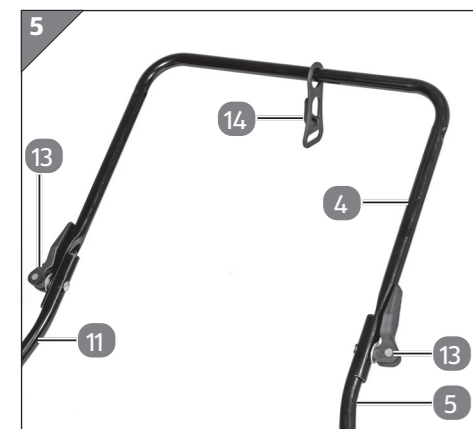
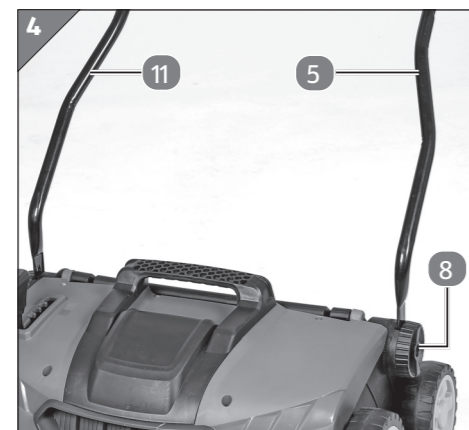
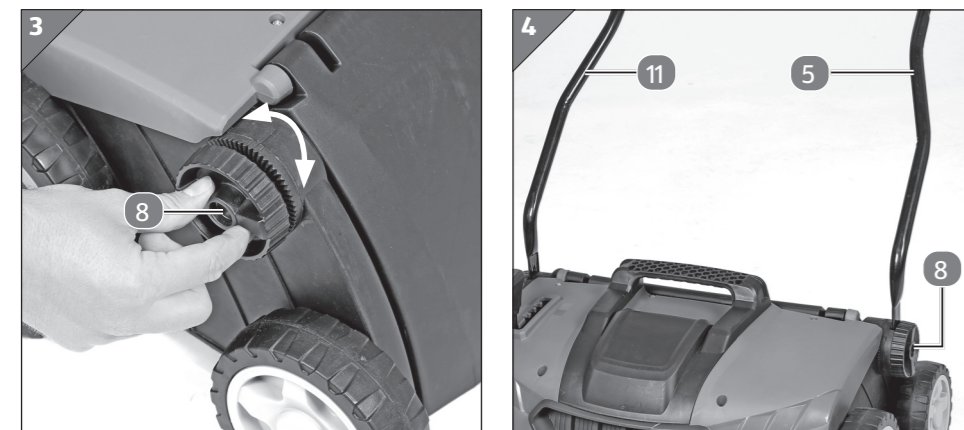
3
YEAR
WARRANTY

EH 09/2020 (01)

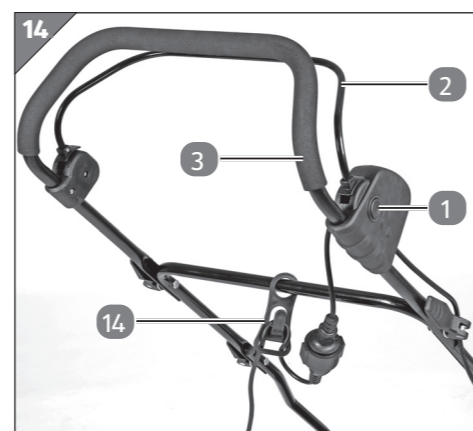
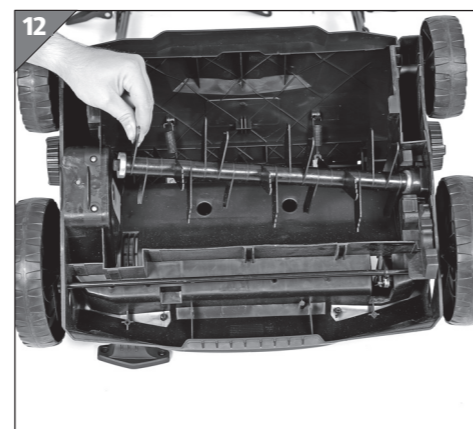
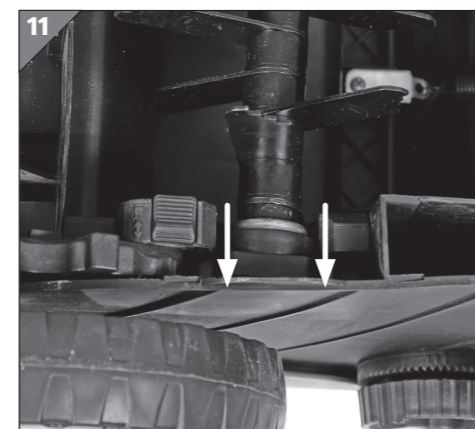
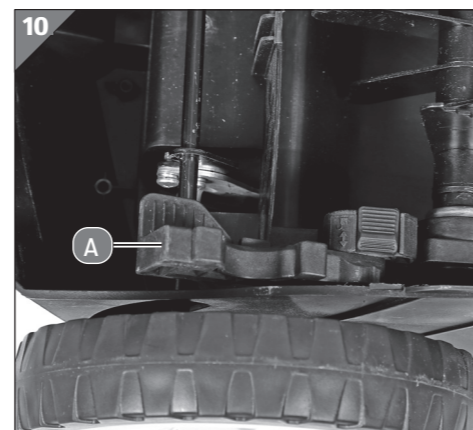
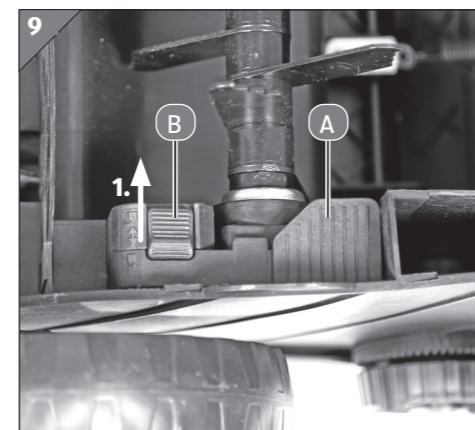
Package contents



Package contents



Package contents



Package contents

