



Einhell

BLUE

BG-DP 7835/1 Dirt water pump

Art.-No. 41.707.60

Powerful and robust dirt water pump to empty garden ponds, flooded basements and construction sites. It takes foreign particles up to Ø 35 mm in size. The pump is equipped with a float switch for automatic ON/OFF – operation for a varying water level. The complete housing is made of an impact resistant material (plastic). High quality standard at materials and constructional design, e. g. a stainless high-grade steel drive shaft warrants a maintenance-free operation and durable application.

Features

- Handle (1)
- Float switch (2)
- Universal connection for 25 mm (1") and 32 mm (1¼") male thread hose connection as well as G1 (ca. 33.3 mm) male thread
- 90 °angel bracket with G1½ (ca. 47.8 mm) x G1½ (ca. 47.8 mm) male thread (3)
- Cable reel (4)
- High quality floating ring seal (5)



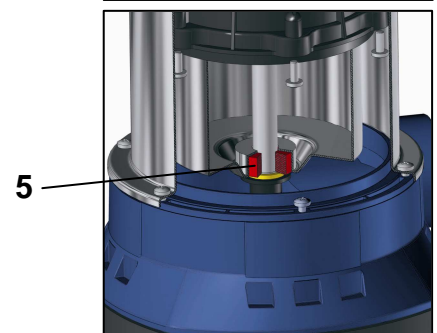
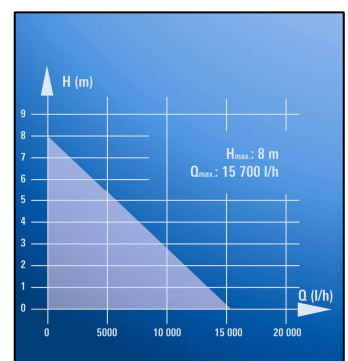
Technical Data

- | | |
|--------------------------------|---------------------------------|
| ■ Mains: | 230 V ~ 50 Hz |
| ■ Power: | 780 W |
| ■ Delivery capacity max.: | 15,700 l/h |
| ■ Delivery height max.: | 8 m |
| ■ Immersion depth: | 8 m |
| ■ Water temperature max.: | 35 °C |
| ■ Hose connection: | G1½ (ca. 47.8 mm) female thread |
| ■ Foreign particle size up to: | Ø 35 mm |
| ■ Mains cable: | 11 m H07RN-F |
| ■ ON function: | approx. 50 cm |
| ■ OFF function: | approx. 5 cm |
| ■ Exhaust height: | approx. 40 mm |
| ■ Product weight: | 5.0 kg |

Logistische Daten

- | | |
|-----------------------|-------------------|
| ■ Net weight: | 5.1 kg |
| ■ Gross weight: | 5.6 kg |
| ■ Packing dimensions: | 225 x 180 x 380mm |
| ■ Bar code: | 4006825 583137 |
| ■ Sales unit: | 4 pcs |

Performance data:



As special accessory available:

PVC-drainage hose 10 m/1"
Einhell Grey

Art.-No.: 41.737.14
Bar code: 4006825 549249

