

# ozito

## CYLINDER PUSH MOWER

### 300MM

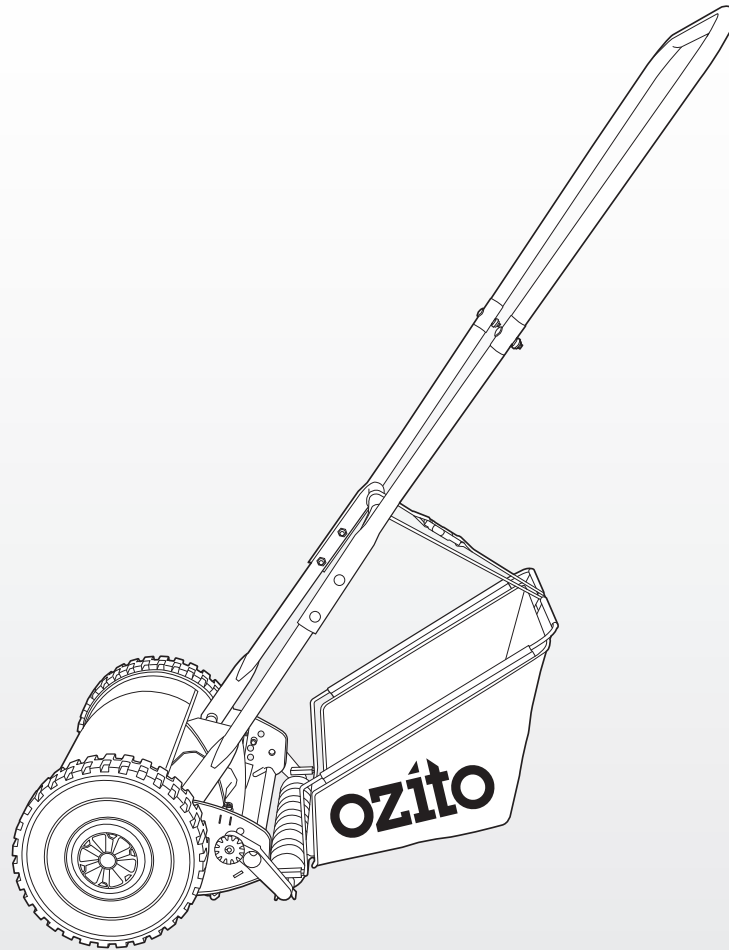
### INSTRUCTION MANUAL

#### SPECIFICATIONS

|                 |                        |
|-----------------|------------------------|
| Cutting Width:  | 300mm                  |
| Cutting Height: | 16 - 38mm, 4 positions |
| Spindle:        | Ø125mm                 |
| Grass Catcher:  | 16 Litres              |
| Weight:         | 6.35kg                 |

ozito.com.au

**3 YEAR**  
REPLACEMENT  
WARRANTY\*



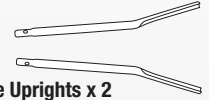
#### STANDARD EQUIPMENT



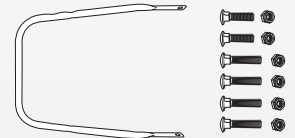
Cylinder Mower



Upper Handle



Handle Uprights x 2



Lower Handle, Bolts & Nuts x 6



Grass Catcher

CPM-300C

## WARRANTY

IN ORDER TO MAKE A CLAIM UNDER THIS WARRANTY YOU MUST RETURN THE PRODUCT TO YOUR NEAREST BUNNINGS WAREHOUSE WITH YOUR BUNNINGS REGISTER RECEIPT. PRIOR TO RETURNING YOUR PRODUCT FOR WARRANTY PLEASE TELEPHONE OUR CUSTOMER SERVICE HELPLINE:

**Australia: 1800 069 486**

**New Zealand: 0508 069 486**

TO ENSURE A SPEEDY RESPONSE PLEASE HAVE THE MODEL NUMBER AND DATE OF PURCHASE AVAILABLE. A CUSTOMER SERVICE REPRESENTATIVE WILL TAKE YOUR CALL AND ANSWER ANY QUESTIONS YOU MAY HAVE RELATING TO THE WARRANTY POLICY OR PROCEDURE.

The benefits provided under this warranty are in addition to other rights and remedies which are available to you at law.

Our goods come with guarantees that cannot be excluded at law. You are entitled to a replacement or refund for a major failure and for compensation for any other reasonably foreseeable loss or damage. You are also entitled to have the goods repaired or replaced if the goods fail to be of acceptable quality and the failure does not amount to a major failure.

Generally you will be responsible for all costs associated with a claim under this warranty, however, where you have suffered any additional direct loss as a result of a defective product you may be able to claim such expenses by contacting our customer service helpline above.

### 3 YEAR REPLACEMENT WARRANTY\*

Your product is guaranteed for a period of **36 months from the original date of purchase**. If a product is defective it will be replaced in accordance with the terms of this warranty. Warranty excludes consumable parts, for example: bearings and accessories.

\*This product is intended for DIY use only and replacement warranty covers domestic use.

### WARNING

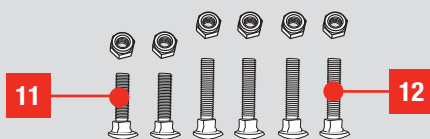
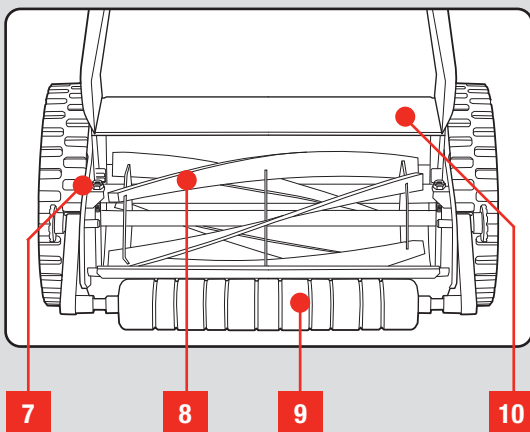
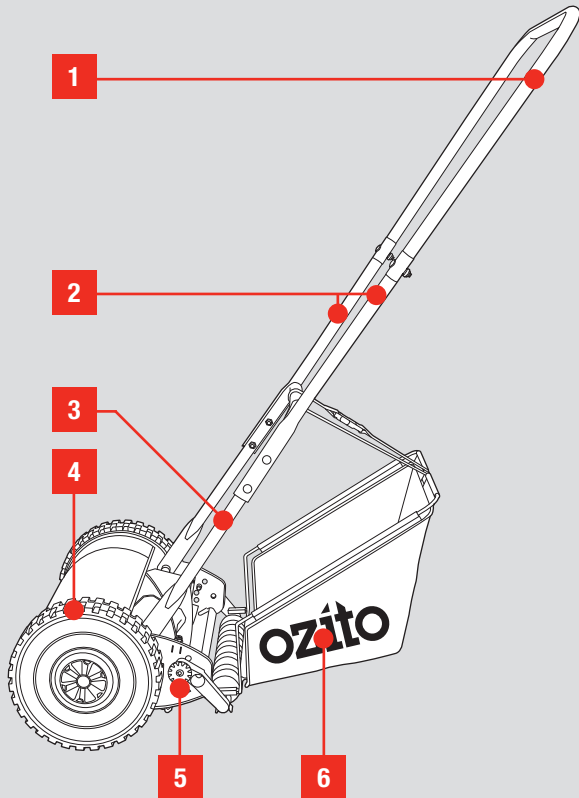
**The following actions will result in the warranty being void.**

- If the tool has been operated on a supply voltage other than that specified on the tool.
- If the tool shows signs of damage or defects caused by or resulting from abuse, accidents or alterations.
- Failure to perform maintenance as set out within the instruction manual.
- If the tool is disassembled or tampered with in any way.
- Professional, industrial or high frequency use.

# KNOW YOUR PRODUCT

## CYLINDER PUSH MOWER

- |                               |                            |
|-------------------------------|----------------------------|
| 1. Upper Handle               | 7. Blade Adjustment x 2    |
| 2. Handle Upright x 2         | 8. Blades                  |
| 3. Lower Handle               | 9. Rear Roller             |
| 4. Wheels                     | 10. Blade Guard            |
| 5. Height Adjustment Knob x 2 | 11. Bolts & Nuts Short x 2 |
| 6. Grass Catcher              | 12. Bolts & Nuts Long x 4  |



### ONLINE MANUAL

Scan this QR Code with your mobile device to take you to the online manual.



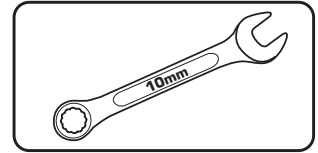
**3 YEAR REPLACEMENT WARRANTY\***

# SETUP & PREPARATION

## 1. ASSEMBLY

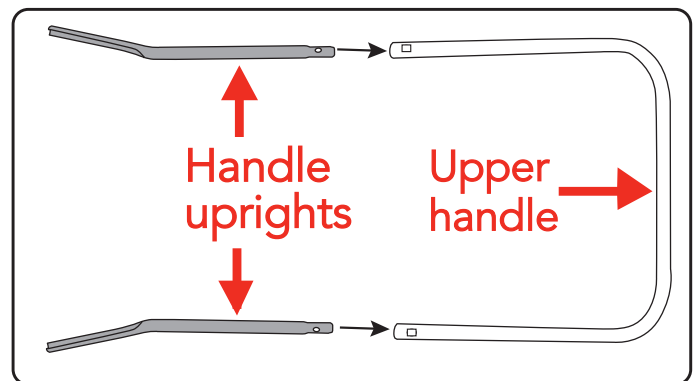
### Tools Required

To assemble the mower handles you will require a 10 mm spanner (not included).

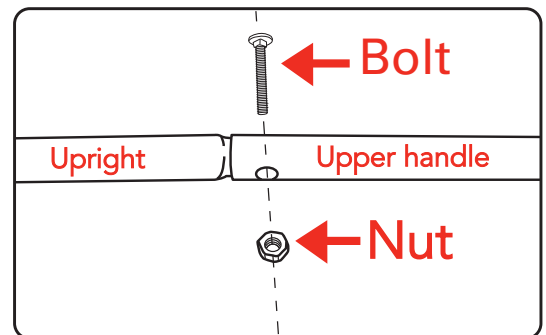


### Fitting the Handle

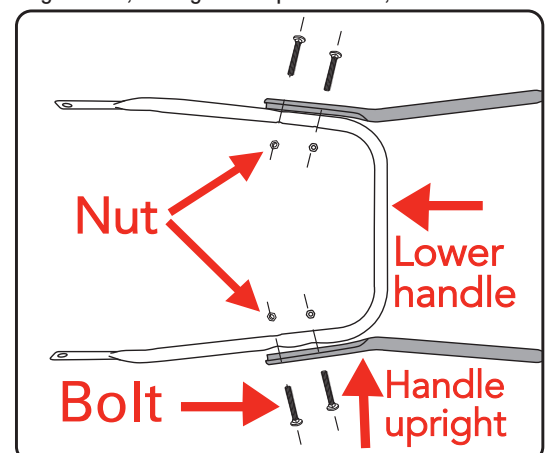
1. First, select the upper handle and the two handle uprights. Insert the two handle uprights into the upper handle.



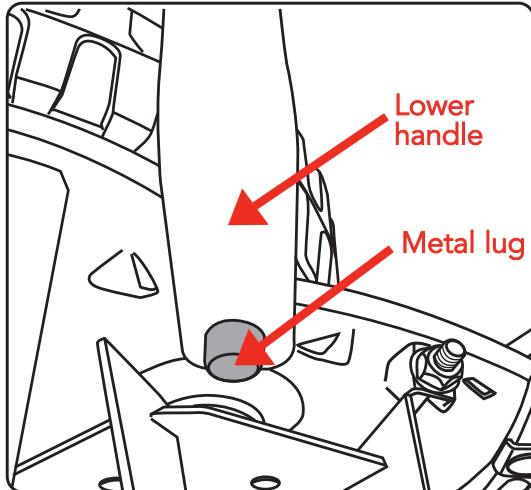
2. Fasten the handle uprights and upper handle together using two shorter bolts, through the square holes, and nuts as shown.



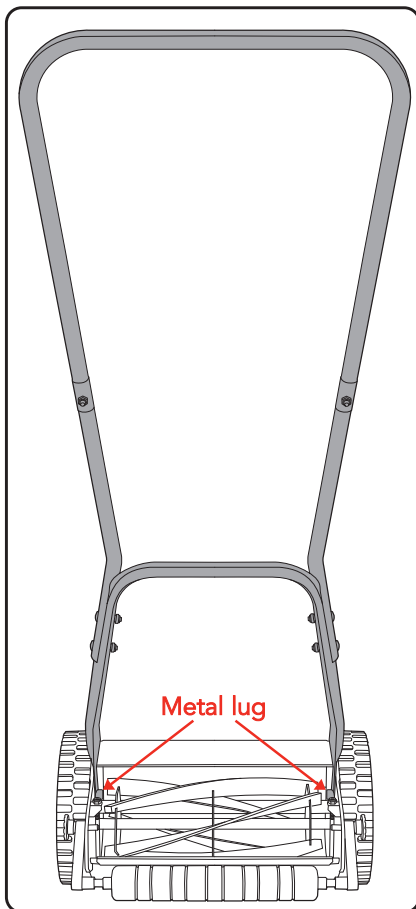
3. Place the handle uprights onto the lower handle and fasten together using the four longer bolts, through the square holes, and nuts as shown.



4. Now the handle is fully assembled and ready to be attached to the mower body.

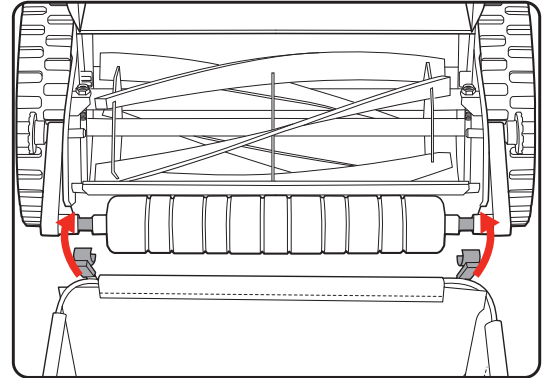


To attach the handle to the mower body, locate the two metal lugs found forward of the cutting bar adjustment lock nuts. Insert one of the large holes in the handle over the lug, then repeat the same process on the other side. It may be necessary to squeeze the two lower handle arms together to allow room for locating the second arm over the remaining metal lug.

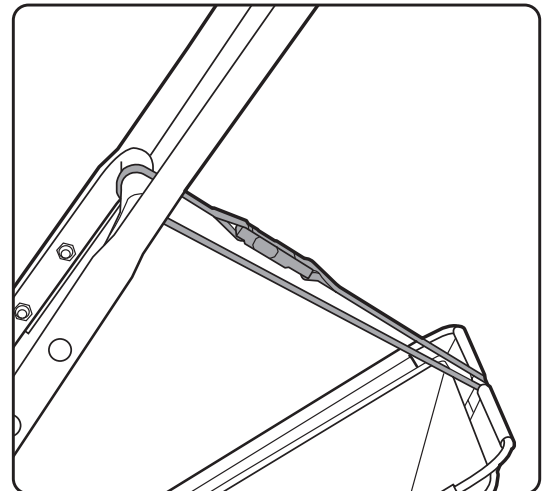


## Fitting the Grass Catcher

1. Hook the grass catcher in place on the left and right side of the roller.



2. Fit the strap over the lower handle and clip together, adjust so the catcher sits flat when mowing.



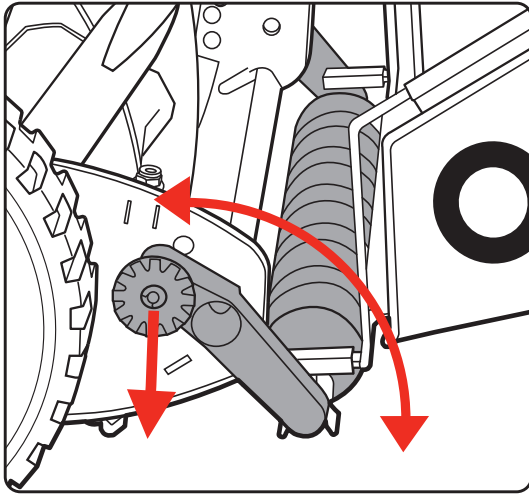
# OPERATION

## 2. ADJUSTMENTS

### Cutting Height Adjustment

The cutting heights can be set between a range of 16 – 38 mm in 4 positions. To obtain the desired cutting height, the left and right height adjustment must be repositioned on the side of the mower housing.

1. Changing the cutting height is quick, easy and requires no tools. Simply pull out the spring-loaded height adjustment knob and adjust until the required height is selected. This enables the roller assembly to slide up or down to place the cutting bar at a different height level.



2. Release height adjustment knob and check that it is securely seated in the required cutting height position.

**Note:** It is essential that the height is the same on both sides of the lawn mower.

## 3. MOWING

**WARNING!** WHILE USING THE PUSH CYLINDER MOWER ALWAYS WEAR NON-SLIP FOOTWEAR, LONG TROUSERS AND SAFETY GLASSES. NEVER USE THE EQUIPMENT BAREFOOT OR IN SANDALS.

- Make sure the lawn is clear of sticks, stones, wire and debris; they could be thrown by the blade.
- Before using the lawn mower and after any impact, check for signs of wear or damage and repair as necessary.

The use of a cylinder push lawn mower can help achieve improved cutting results specifically on ornamental lawns. Mow your lawn 1 – 2 times a week. We recommend that normal home lawns should be mowed when the grass is 60 – 70 mm high, ornamental lawns when the grass is 30 - 40 mm high.

Irrespective of the recommended cutting height, the lawn should only be reduced by one third of the current height each time it is mowed. Before the onset of the first frost, the lawn should be reduced to its recommended height.

Only ever mow the lawn when it is as dry as possible in order to achieve perfect cutting results. To ensure that it can be cut cleanly, the grass should never be over 100 mm high. The mower has a freewheeling facility for when it is pulled back.

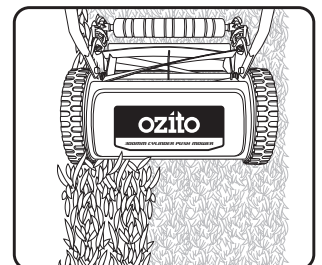
### Walk at a good, steady pace

With a push cylinder mower, the rotation of the wheels turn the blade cylinder. The mower will tend to bind up and skid if it is moving at too slow a pace. The faster the wheels are travelling, the faster the blade cylinder turns. Therefore, moving at a comfortably quick walking pace will achieve the best results.



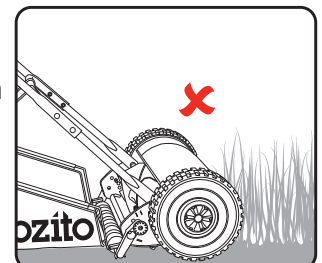
### Overlapping rows

When mowing a lawn, slightly overlap the row that has already been mowed. This will make the force required to move the mower easier because less grass is being mowed at one time. Overlapping rows will also ensure a neat cut by removing grass that may have been missed on the previous row.



### Don't let the grass get too tall

Push cylinder mowers are harder to push when the grass gets too tall, therefore it is recommended to mow on a weekly basis.



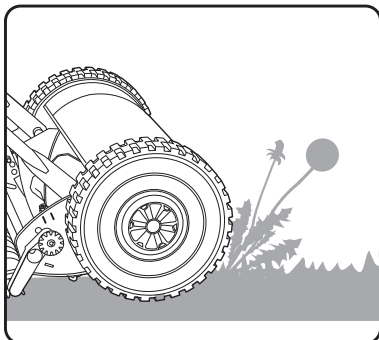
# OPERATION (cont.)

## 3. MOWING (cont.)

### Push cylinder mowers don't mow tall weeds

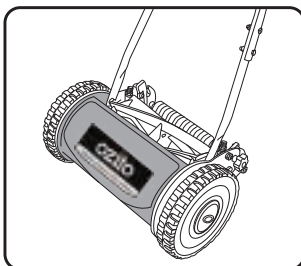
The push cylinder mower will tend to roll over tall weeds without cutting them. This includes tall weeds that are more than six inches, and things like dandelions and docs.

If the lawn to be mowed has a significant weed infestation, enquire at your local Bunnings store how to rectify the problem, or as an alternative, rent a petrol powered mower to gain control of the lawn. Push cylinder mowers are designed to cut lawns in reasonable condition.



### The metal guard protects your garden

The metal guard does not only protect your hands and feet, but also the garden. The push cylinder mower can be pushed right up to flowers and shrubs without damaging them. This feature means the push cylinder mower can cut the edges of the lawn where garden plants exist minimising any potential damage.



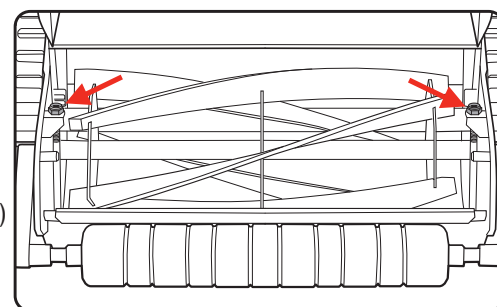
# MAINTENANCE

**WARNING!** ALWAYS USE PROTECTIVE GLOVES WHEN ADJUSTING THE CUTTING BAR OR SHARPENING THE BLADE. SHARP EDGES COULD CAUSE INJURY.

## Adjusting the cutter bar to the blades

The cutting bar should be as close to the blades as possible, when the blades are rotated manually they should make slight contact making a whispery sound (like scissors opening and closing), ensure the bar does not stop the blades from rotating.

To raise or lower the bar, loosen or tighten the adjustment nuts (using a 10 mm spanner, or a shifter, not included) on the ends of the cutting bar (located behind the reel blades, above the roller as pictured).



**Note:** A small 1/16 of a turn is a major adjustment.

To loosen the blades, or move them further away from the cutting bar, loosen the cutting bar adjustment nuts on each side equally by turning them anti-clockwise.

To tighten the blades, or move them closer against the cutting bar, tighten both cutting bar adjustment nuts equally turning them clockwise. If the mower is only cutting on one side, the cutting bar may be out of alignment with the blade cylinder. Therefore, tighten the side of the mower that is not cutting to bring it back into alignment.

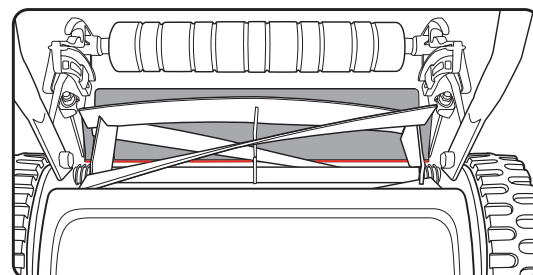
If the mower is hard to push and the blades barely turn, the cutting bar may be over tightened against the blade reel.

If the blade reel spins freely and doesn't make contact against the cutting bar, or the mower isn't cutting grass well, the cutting bar may be too loose against the blade cylinder.

## Sharpening the Blade

Before taking the time and effort to sharpen the blades, make sure that it needs sharpening. Most of all issues can be solved by ensuring the blades are properly adjusted (See **Adjusting the cutter bar to the blades** above).

1. Prop up the push cylinder mower so that the blade reel can be rotated by turning the wheels.
2. Check the blades for nicks and burrs. If any damage is found, it usually can be removed by holding a file flat against the blade and pushing away from the edge.
3. Examine the cutting bar. It should just meet the blades along their entire length. (To make sure the cutting bar is located correctly, grasp a wheel and turn it forward; you should hear a whispery sound as the blades pass the cutting bar).





# SAFETY INSTRUCTIONS

- If the bar is out of alignment, adjust using the adjustment nuts on the ends of the bar (See **Adjusting the cutter bar to the blades**).
- Using off paintbrush, cover the blades with a thin, even coat of automotive valve-grinding compound (available at automotive stores).
- Grasp a wheel and turn it slowly backward so the grinding compound is squeezed between the blades and the cutting bar, thereby sharpening both cutting edges as they pass each other. Be sure that each blade touches the bar as the wheel is rotated.
- Make about a dozen turns, applying more grinding compound when necessary.
- Examine the blade edges. If they look sharp, wash off all the valve compound with soapy water and rinse thoroughly.
- Test for sharpness. Insert a sheet of newspaper between the blades and the cutting bar, and rotate the reel forward. When the blades cut the paper as easily and as cleanly as a sharp pair of scissors would, the task is complete.

**Note:** After each use, hose the mower clean and wipe it dry. Wipe all the metal parts with a thin film of WD-40 or mineral oil.

**WARNING!** SHARPEN BLADES ONLY BY HAND. THE HEAT GENERATED BY A POWER GRINDER OR AN ELECTRIC DRILL WITH A GRINDING WHEEL ATTACHED CAN DESTROY THE TEMPER OF THE METAL. MAKE SLOW, PRECISE MOVEMENTS TO AVOID CUTTING OR JAMMING YOUR FINGERS.

## General Maintenance

- Keep all nuts, bolts and screws tight to be sure the mower is in a safe working condition.
- Replace worn or damaged parts for safety.
- Be careful during adjustments of the hand lawn mower to prevent entrapment of the fingers between moving blade and fixed parts of the machine.
- Check the grass catcher frequently for wear or deterioration.
- When not in use, the mower should be stored in a dry, frost-free location, out of reach of children.

Note: Ozito Industries will not be responsible for any damage or injuries caused by the repair of the lawn mower by an unauthorised person or by mishandling of the lawn mower. This tool is designed for DIY use - use in commercial or industrial environments will void the warranty.

## SPARE PARTS

Spare parts can be ordered from the Special Orders Desk at your local Bunnings Warehouse.

For further information, or any parts not listed here, visit [www.ozito.com.au](http://www.ozito.com.au) or contact Ozito Customer Service:

Australia 1800 069 486

New Zealand 0508 069 486

E-mail: [hello@ozito.com.au](mailto:hello@ozito.com.au)

- Never allow children or people unfamiliar with these instructions to use the mower.
- Only use the mower in the manner and for the functions described here in.
- Never operate the mower when you are tired, ill or under the influence of drugs, alcohol or medicine.
- The operator or user is responsible for accidents or hazards occurring to other people or their property.
- Use the mower only in daylight or good artificial light.
- Avoid operating your mower in wet grass, where feasible.
- Take care in wet grass, you may lose your footing.
- On slopes be extra careful of your footing and wear non-slip footwear.
- Mow across the face of slopes, never up and down.
- Exercise extreme caution when changing direction on slopes. Walk, never run.
- Mowing on banks and slopes can be dangerous. Do not mow on banks or steep slopes.
- Do not walk backwards when mowing, you could trip.
- Never cut grass by pulling the mower towards you.
- Never operate the mower with damaged guards or without guards in place.
- Keep hands and feet away from the blade at all times and especially when the mower is in use.
- Do not put hands near the blades during operation.

## DESCRIPTION OF SYMBOLS

|    |   |  |   |
|----|---|--|---|
| mm | Milimetres  |  | Warning   |
|    | Diameter  |  | Regulatory Compliance Mark (RCM)  |
|    | Wear protective gloves  |  | Safety footwear must be worn  |
|    | Wear eye protection   |  | Cutting width   |
|    | Keep bystanders away. Do not mow whilst people especially children or pets are in the mowing area.  |  | Cutting height adjustment   |
|    | Read Instruction Manual   |  | Clear the area of sticks, stones or other debris; they could be thrown by the blades. |
|    | Beware of severing toes or hands. Do not put hands or feet near the rotating blades.  |  |   |
|    | <b>Warning! Exposed Rotating Blades</b><br>Can cause severe injury. Do Not touch blades when in operation!<br>Always use safety gloves when carrying out maintenance! |  |   |

## CARING FOR THE ENVIRONMENT



Power tools that are no longer usable should not be disposed of with household waste but in an environmentally friendly way. Please recycle where facilities exist. Check with your local council authority for recycling advice.



Recycling packaging reduces the need for landfill and raw materials. Reuse of recycled material decreases pollution in the environment. Please recycle packaging where facilities exist. Check with your local council authority for recycling advice.