



Einhell

BLUE

BT-BD 501 Bench Drill

Art.-No. 42.505.55

Features

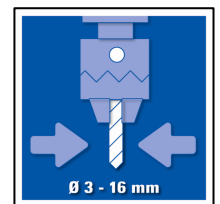
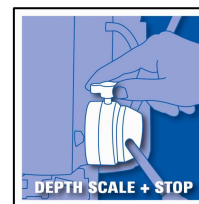
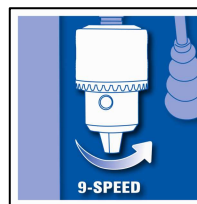
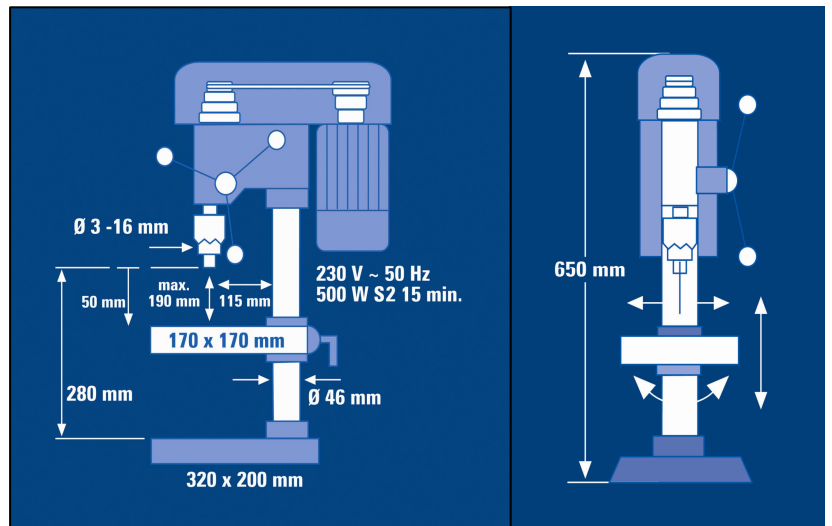
- High-grade gummed handles (1)
- Continuously adjustable table height (2)
- Stable foot with ground plate (3)
- Folding chip guard (4)
- Gear ring drill chuck (5)
- ON/OFF switch with zero voltage releasing
- Twistable graduated collar for precise drilling depth (6)
- Tilttable and pivotable drill table
- 9-fold speed grading from 280 – 2,500 min⁻¹
- Ball bearing drill spindle

Technical Data

- Mains: 230 V ~ 50 Hz
- Power: 500 W S2 15 min
- Spindle speed: 280 – 2,500 min⁻¹ (9 steps)
- Tilt drill table: -45° to +45°
- Drill chuck mount: B16
- Drill diameter: Ø 3 - 16 mm
- Throat: 115 mm
- Max. drilling depth: 50 mm
- Product weight: 18.0 kg

Logistic Data

- Net weight: 18.2 kg
- Gross weight: 19.4 kg
- Packing dimensions: 510 x 385 x 260 mm
- Bar code: 4006825 586817
- Sales unit: 1 pc



As special accessory available:

Bench vice

Art.-No.: 42.257.06

Bar code: 4006825 421002