

Ⓢ Operating Instructions  
Wet and Dry Vacuum Cleaner

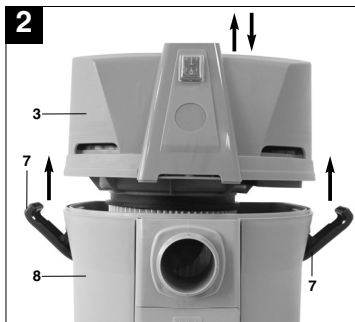
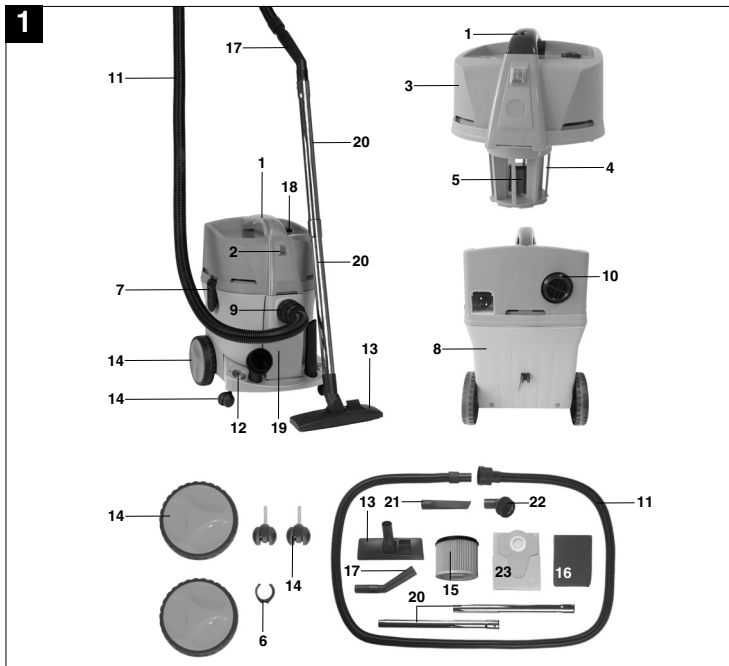
**Einhell**<sup>®</sup>  
NEW GENERATION

7

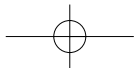
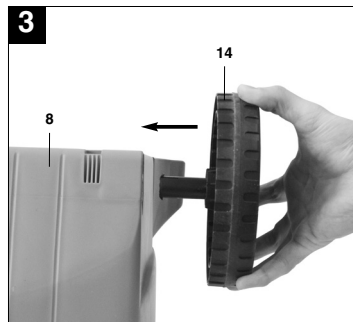
Art.-Nr.: 23.420.42

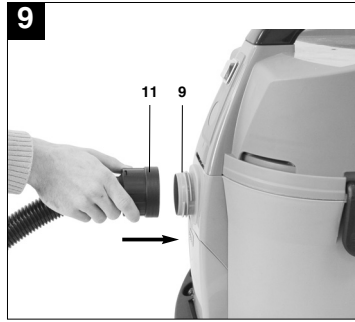
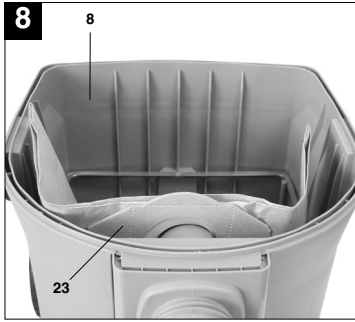
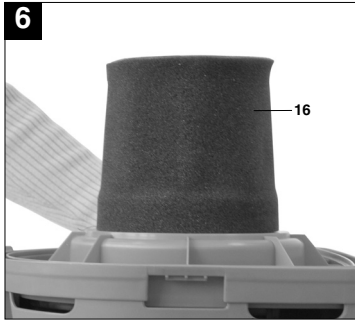
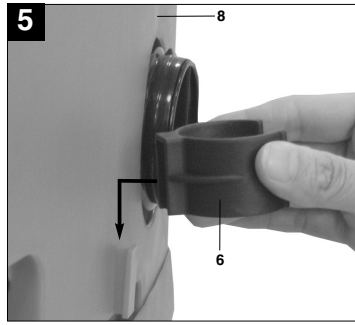
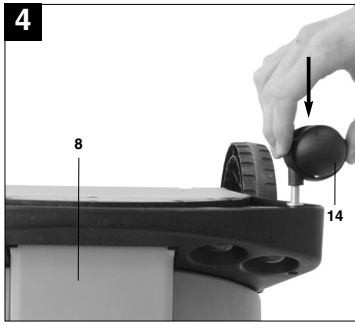
I.-Nr.: 01017

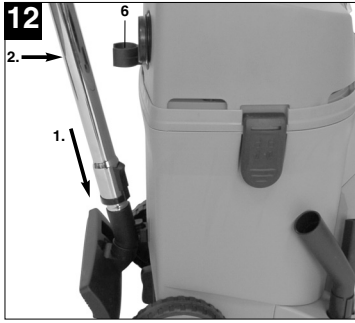
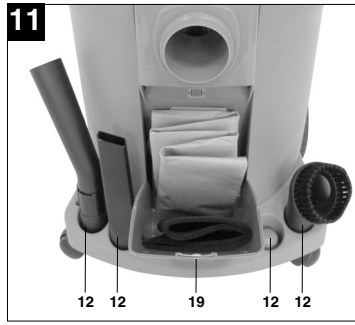
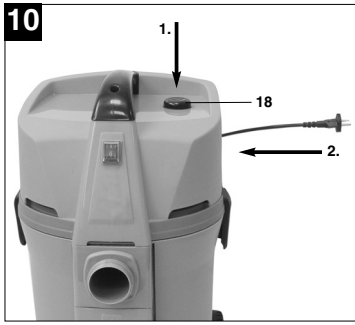
NTS **1500**



2







**⚠ Important!**

When using equipment, a few safety precautions must be observed to avoid injuries and damage. Please read the complete operating manual with due care. Keep this manual in a safe place, so that the information is available at all times. If you give the equipment to any other person, give them these operating instructions as well.  
We accept no liability for damage or accidents which arise due to non-observance of these instructions and the safety information.

**1. Safety information**

- Important: Read the operating instructions before assembling and using the appliance for the first time.
- Check that the mains voltage is the same as the mains voltage specified on the rating plate.
- Only connect the appliance to a properly fitted 220 V, ~ 60 Hz shock-proof socket.
- Minimum 10 A fuse.
- Pull out the power plug in the following circumstances: Whenever the appliance is not in use, before opening the appliance and before all cleaning and maintenance work.
- Never clean the appliance with solvents.
- Never pull the plug out of the socket by pulling the cable.
- Never leave the appliance unattended when operational.
- Keep away from children.
- Take care to ensure that the power cable does not get damaged by being run over, crushed, pulled or suchlike.
- Do not use the machine if the power cable is in a less than perfect condition.
- If the power cable has to be replaced, the replacement must comply with the design specifications of the manufacturer. Power cable: H 05 VV - F 2 x 1.0 mm<sup>2</sup>
- Never vacuum the following: Burning matches, smoldering ash and cigarette butts, combustible, caustic, inflammable or explosive substances, vapor or liquids.
- This appliance is not suitable for vacuuming dust which can be harmful to health.
- Store the appliance in a dry indoor location.
- Never use the appliance if it is damaged.
- Only allow the appliance to be serviced by an authorized after sales service outlet.
- Only use the appliance to carry out work for which has been designed.
- Take extra care when cleaning steps.
- Use only genuine accessories and spare parts.

- **Keep children and other persons away from the electric tool while it is being used.** Allowing yourself to get distracted can cause you to lose control of the tool.
- **Always pull the plug out of the socket outlet before making any adjustments. Exchange accessory parts or put away the tool.**  
This precaution eliminates the possibility of inadvertently starting the tool.
- **When not in use, store electric tools out of the reach of children. Do not allow those persons to use this tool who are unfamiliar with it or who have not read these instructions.**  
Electric tools are dangerous when they are used by inexperienced persons.
- **If the power cable of the electric tool is damaged, it must be replaced by a specially prepared connection lead which can be obtained from the customer service center.**

**2. Layout and items supplied (Fig. 1)**

- 1 Handle
- 2 ON/OFF switch
- 3 Head
- 4 Filter basket
- 5 Safety float valve
- 6 Vacuum tube holder
- 7 Locking hook
- 8 Tank
- 9 Hose connector
- 10 Blow connector
- 11 Flexible hose
- 12 Accessory holder
- 13 Dual purpose nozzle
- 14 Castors
- 15 Pleated filter
- 16 Foamed plastic filter
- 17 Handle with air regulator
- 18 Automatic cable rewind
- 19 Storage compartment
- 20 Vacuum tube
- 21 Crevice nozzle
- 22 Cushion nozzle
- 23 Dirt bag

**GB**

### 3. Intended use

The wet and dry vacuum cleaner is designed for wet and dry vacuuming using the appropriate filter. The appliance is not suitable for the vacuuming of combustible, explosive or harmful substances.

The machine is to be used only for its prescribed purpose. Any other use is deemed to be a case of misuse. The user / operator and not the manufacturer will be liable for any damage or injuries of any kind caused as a result of this.

Please note that our equipment has not been designed for use in commercial, trade or industrial applications. Our warranty will be voided if the machine is used in commercial, trade or industrial businesses or for equivalent purposes.

### 4. Technical data

Mains voltage:	220 V ~ 60 Hz
Power input:	1,550 watts
Container volume:	20 l
Protection class:	II/□
Weight:	5.5 kg

### 5. Before starting

#### ⚠ Important!

- Before you connect the appliance to the mains supply make sure that the data on the rating plate are identical to the mains data.
- The appliance may only be connected to a shock-proof socket.

#### 5.1 Assembling the appliance

##### 5.1 Appliance assembly

##### Fitting the appliance head (Fig. 2/3)

The appliance head (3) is fastened to the container (8) by the locking hook (7). To remove the appliance head (3), open the locking hook (7) and remove the appliance head (3). When fitting the appliance head (3), make sure that the locking hook (7) locks into place correctly.

##### Assembling the wheels (Fig. 1/14)

Fit the wheels in accordance with Fig. 3-4.

##### Assembling the vacuum tube holder (Fig. 1/6)

Fit the vacuum tube holder in accordance with Fig. 5.

#### 5.2 Fitting the filter

##### ⚠ Important!

Never use the wet and dry vacuum cleaner without a filter.

Check that the filter is securely fitted at all times.

##### Fitting the foam filter (Fig. 6/16)

For wet vacuuming, slip the supplied foam filter (16) over the filter basket (Fig. 1/4). The pleated filter (15) already fitted upon delivery is not suitable for wet vacuuming.

##### Fitting the pleated filter (Fig. 7/15)

For dry-vacuuming, slip the pleated filter (Fig. 1/15) over the filter basket (Fig. 1/4). The pleated filter (15) is suitable for dry-vacuuming only.

##### Assembling the dirt bag (Fig. 8/23)

For vacuuming fine, dry dirt it is recommended that you also fit the dirt bag. This will ensure that the pleated filter (15) does not fill up so quickly and therefore help the vacuuming power last longer. In addition, it makes it easier to dispose of the dust. Slip the dirt bag over the vacuuming hole. The dirt bag is suitable for dry-vacuuming only.

#### 5.3 Fitting the suction hose (Fig. 1/11)

Connect the suction hose (11) to the corresponding connector on the wet and dry vacuum cleaner, depending on the application required (Fig. 9).

##### Vacuuming

Connect the suction hose (11) to the suction hose connector (9).

##### Blowing

Connect the suction hose (11) to the blow connector (10).

To extend the vacuum tube (11) fit the vacuum hose (20) onto the tube.

##### Air regulator (Fig. 1/17)

The air regulator (17) can be fitted between the suction hose (11) and the suction tube (20). The suction power of the nozzle can be infinitely adjusted using the air regulator (17).

#### 5.4 Suction nozzles

##### Dual-purpose nozzle (13)

For dry vacuuming surfaces use the dual-purpose nozzle (13).

**Crevice nozzle (Fig. 1/21)**

The crevice nozzle (21) is designed for vacuuming solids and liquids in corners, edges and other areas that are difficult to access.

**Upholstery nozzle (Fig. 1/22)**

For cleaning upholstery use the upholstery nozzle (22).

**5.5 Automatic cable rewind (Fig. 10/18)**

The wet and dry vacuum cleaner is fitted with an automatic cable rewind (18).

**Before using:**

Pull the power cable out of the vacuum cleaner slowly and evenly.

**After using:**

With one hand actuate the pushbutton of the automatic cable rewind (18), with the other hand guide the power cable while it is being pulled into the appliance by the automatic cable rewind.

**5.6 Storage compartment (Fig. 11/19)**

The wet and dry vacuum cleaner is fitted with an storage compartment (19) for accessory equipment. Swing the storage compartment (19) towards the front to open.

**5.7 Accessory holder (Fig. 11/12)**

The wet and dry cleaner is equipped with a holder for the space-saving storage of vacuum nozzles.

**5.8 Vacuum tube holder (Fig. 12/6)**

Insert the vacuum tube into the vacuum tube holder (6) as shown in the illustration.

**6. Operation****6.1 ON/OFF switch (Fig. 1/2)**

Switch position 0: Off  
Switch position I: On

**6.2 Dry vacuuming**

For dry-vacuuming, use the pleated filter (15). In addition, you can also fit the dirt bag. (see point 5.2) Always ensure that the filters are perfectly secure.

**6.3 Wet vacuuming**

For wet-vacuuming, use the foam filter (16) (see point 5.2). Check that the filter is securely fitted at all times.

**⚠ Important!**

When wet vacuuming, the floating safety switch (5) turns off the wet and dry vacuum cleaner automatically when the maximum level is reached.

**⚠ Important!**

The wet and dry vacuum cleaner is not suitable for the vacuuming of combustible liquids. For wet vacuuming, use only the supplied foam filter.

**6.4 Blowing**

Connect the suction hose (11) to the blow connector (10) on the wet and dry vacuum cleaner.

**7. Cleaning, maintenance and ordering of spare parts****⚠ Important!**

Always pull out the mains power plug before starting any cleaning work.

**7.1 Cleaning**

- Keep all safety devices, air vents and the motor housing free of dirt and dust as far as possible.
- We recommend that you clean the appliance immediately after you use it.

**7.2 Cleaning the appliance head (3)**

Clean the appliance regularly with a damp cloth and some soft soap. Do not use cleaning agents or solvents; these may be aggressive to the plastic parts in the appliance.

**7.3 Cleaning the container (8)**

The container can be cleaned with a damp cloth and some soft soap or under running water, depending on the amount of dirt.

**7.4 Cleaning the filters****Cleaning the pleated filter (15)**

Clean the pleated filter (15) regularly by carefully patting it and cleaning it with a fine brush or hand brush.

**Cleaning the foam filter (16)**

Clean the foam filter (16) with a little soft soap under running water and allow it to air-dry.

**7.5 Maintenance**

At regular intervals and before each use, check that the filters in the wet and dry vacuum cleaner are securely fitted.



#### 7.6 Ordering replacement parts

Please quote the following data when ordering replacement parts:

- Type of machine
- Article number of the machine
- Identification number of the machine
- Replacement part number of the part required

For our latest prices and information please go to [www.isc-gmbh.info](http://www.isc-gmbh.info)

#### 8. Disposal and recycling

The unit is supplied in packaging to prevent its being damaged in transit. This packaging is raw material and can therefore be reused or can be returned to the raw material system.

The unit and its accessories are made of various types of material, such as metal and plastic. Defective components must be disposed of as special waste. Ask your dealer or your local council.



# **GUARANTEE CERTIFICATE**

Dear Customer,

All of our products undergo strict quality checks to ensure that they reach you in perfect condition. In the unlikely event that your device develops a fault, please contact our service department at the address shown on this guarantee card. Of course, if you would prefer to call us then we are also happy to offer our assistance under the service number printed below. Please note the following terms under which guarantee claims can be made:

1. These guarantee terms cover additional guarantee rights and do not affect your statutory warranty rights. We do not charge you for this guarantee.
2. Our guarantee only covers problems caused by material or manufacturing defects, and it is restricted to the rectification of these defects or replacement of the device. Please note that our devices have not been designed for use in commercial, trade or industrial applications. Consequently, the guarantee is invalidated if the equipment is used in commercial, trade or industrial applications or for other equivalent activities. The following are also excluded from our guarantee: compensation for transport damage, damage caused by failure to comply with the installation/assembly instructions or damage caused by unprofessional installation, failure to comply with the operating instructions (e.g. connection to the wrong mains voltage or current type), misuse or inappropriate use (such as overloading of the device or use of non-approved tools or accessories), failure to comply with the maintenance and safety regulations, ingress of foreign bodies into the device (e.g. sand, stones or dust), effects of force or external influences (e.g. damage caused by the device being dropped) and normal wear resulting from proper operation of the device.  
  
The guarantee is rendered null and void if any attempt is made to tamper with the device.
3. The guarantee is valid for a period of 2 years starting from the purchase date of the device. Guarantee claims should be submitted before the end of the guarantee period within two weeks of the defect being noticed. No guarantee claims will be accepted after the end of the guarantee period. The original guarantee period remains applicable to the device even if repairs are carried out or parts are replaced. In such cases, the work performed or parts fitted will not result in an extension of the guarantee period, and no new guarantee will become active for the work performed or parts fitted. This also applies when an on-site service is used.
4. In order to assert your guarantee claim, please send your defective device postage-free to the address shown below. Please enclose either the original or a copy of your sales receipt or another dated proof of purchase. Please keep your sales receipt in a safe place, as it is your proof of purchase. It would help us if you could describe the nature of the problem in as much detail as possible. If the defect is covered by our guarantee then your device will either be repaired immediately and returned to you, or we will send you a new device.

Of course, we are also happy offer a chargeable repair service for any defects which are not covered by the scope of this guarantee or for units which are no longer covered. To take advantage of this service, please send the device to our service address.

DISTRIBUTOR & A/S CENTER in Korea :

Kubo-Tech, Inc.  
D Block Room No. 35-310, Guro Machinery & Tools Shopping Center  
604-1, Guro-dong, Guro-gu, Seoul 152-050 Korea  
Tel : 02-2675-0942/0943 Fax : 02-2675-0944  
e-Mail : smakorea@yahoo.co.kr

©

The reprinting or reproduction by any other means, in whole or in part, of documentation and papers accompanying products is permitted only with the express consent of ISC GmbH.

Ⓢ Technical changes subject to change

EH 11/2007