



## Laser – Circular Hand Saw PS-HKS 1600 - Laser

Art.-No.: **44.710.60**

bar code: 4006825507492

sales unit: 2 pcs

Handy and powerful **Laser**- circular saw just right for heavy duty. The PS-HKS 1600 Laser is the ideal power tool by laser beam for precise ripping- and cross-cuts of boards, wooden lumber, hardboard- and chipboards panels. The housing is made of impact resistant plastics. The saw blade – protection hood is made of aluminium. The circular hand saw is equipped with a soft start drive for soft start. With the additional spindle lock you can change the saw blade trouble-free. You need only an Allen key

### Features:

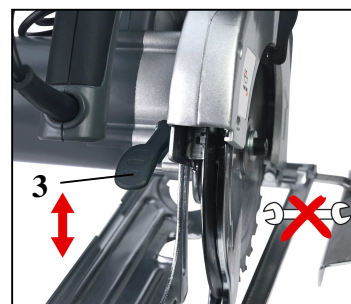
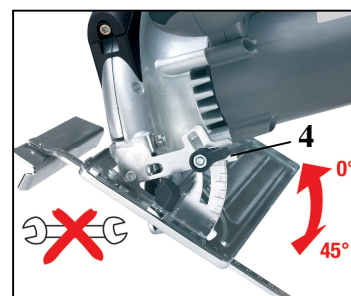
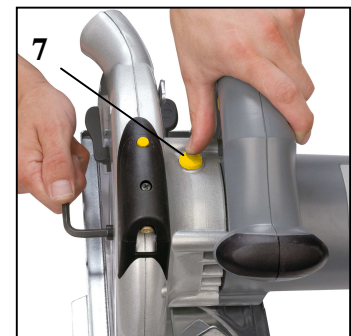
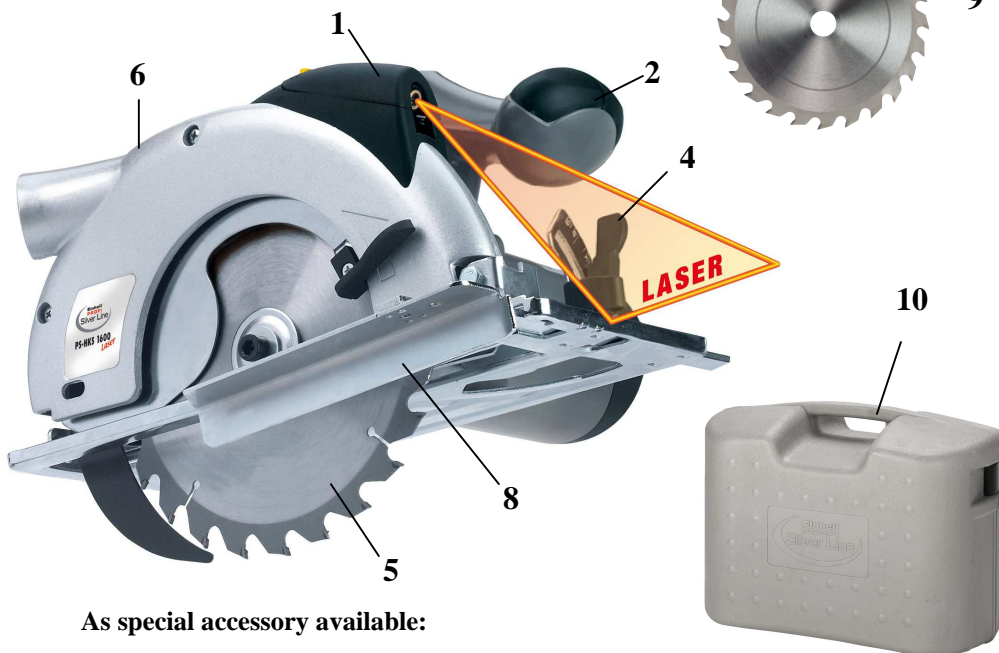
- **Laser module (1)**
- Softstart
- Ergonomical handle (2)
- Tool-less cutting depth adjustment (3)
- Tool-less saw table adjustment (4)
- Carbide tipped saw blade (5)
- Saw blade protection housing made of aluminium (6)
- Spindle lock (7)
- Parallel stop (8)
- **Soft-painted housing surface**

### Technical data:

- Mains: 230 V ~ 50 Hz
- Power: 1600 watts
- Idle speed: 4.500 min<sup>-1</sup>
- Cutting depth at 90°: 66 mm
- Cutting depth at 45°: 47 mm
- Saw blade: Ø 190 x Ø 20 x 2,5 mm, 24 teeth
- Laser class: II
- Main cable length: 3 m
- Weight: 8.7 kg
- Packing dimension: 520 x 300 x 385 mm

### Standard Accessories:

- 2 batteries for laser module
- Additional carbide tipped saw blade, 24 teeth (9)
- transport and storage case (10)



As special accessory available:

**Carbide tipped saw blade**  
Ø 190 x Ø 20 x 2,8mm; 24 teeth

Art.-no.: **45.020.86**  
bar-code: 4006825 506792