



User Manual

Spend a little Live a lot



TABLE SAW

WZTS 2000



Original instructions

Product Info



www.aldi.co.uk



QR codes take you where you want to go quickly and easily

Whether you require **product information, spare parts** or **accessories**, details on **warranties** or **aftersales services**, or if you want to watch a **product demonstration video**, our QR codes will take you there in no time at all.

What is a QR code?

A QR code (QR = Quick Response) is a type of matrix that can be read with a smartphone camera and that contains a link to a website or contact details, for example.

Advantage: You do not need to manually enter a website address or contact details.

This is how it works

To scan the QR code, all you need is a smartphone with QR code reader software and an internet connection.* This type of software can be downloaded for free from your app store.

Try it out now

Just scan the QR code with your smartphone and find out more about the Aldi product you have purchased.*

Your Aldi Service Portal

All details mentioned above can also be found in the Aldi Service Portal at www.aldi.co.uk.

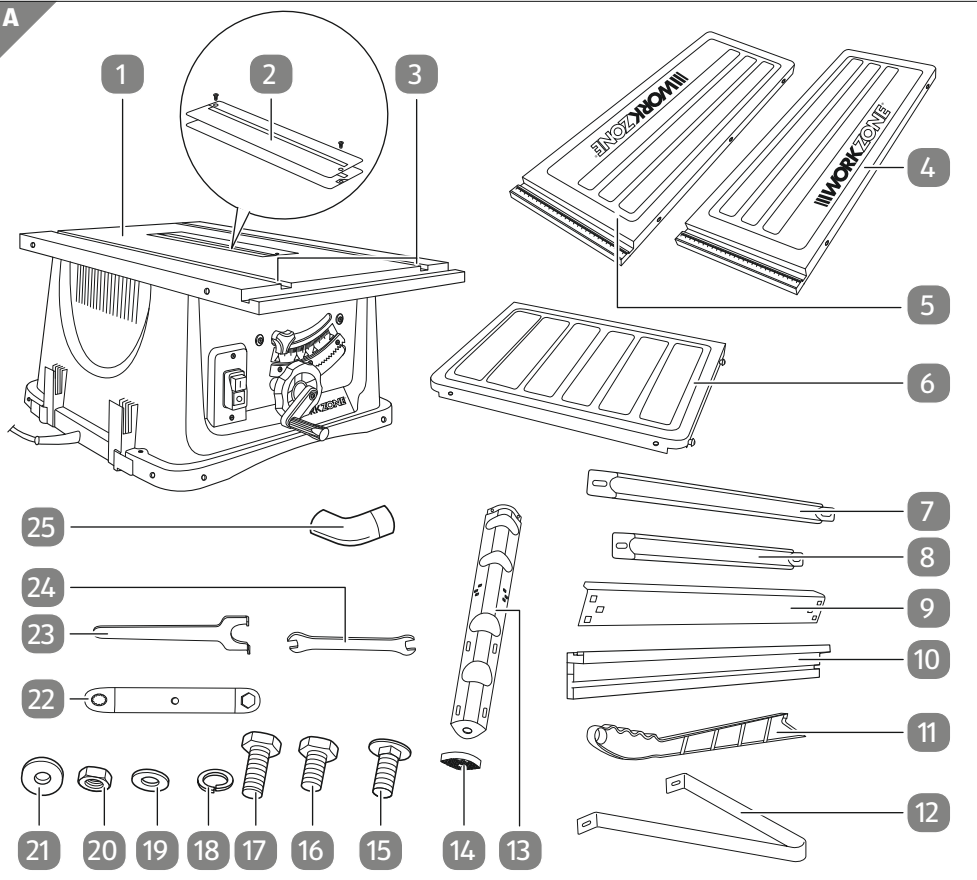


*Depending on your tariff plan you may be charged for the connection.

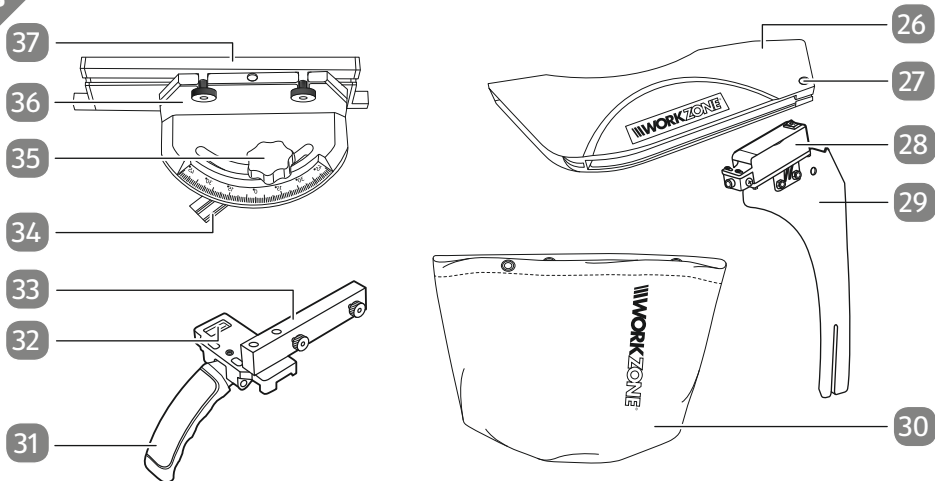
Contents

Overview	4
Scope of delivery/device parts.....	6
General information.....	7
Reading and storing the user manual	7
Explanation of symbols	7
Safety	8
Proper use.....	8
Residual risks.....	9
Safety instructions.....	9
Supplementary safety instructions	12
Checking the saw and pack contents.....	17
Assembly	18
Mounting the table extensions	18
Mounting the support legs	19
Mounting/adjusting the splitting wedge	20
Mounting the saw blade guard.....	22
Mounting the parallel guide	22
Mounting the waste bag	23
Connecting the extraction device.....	23
Operation.....	23
Setting the cutting depth.....	23
Setting the cutting angle	23
Parallel guide	24
Cross guide	25
Laser.....	25
Switching the table saw on and off	26
Sawing.....	27
Removing jammed material	29
Changing the saw blade.....	29
Cleaning.....	31
Maintenance and care.....	32
Storage	33
Transport	33
Troubleshooting.....	34
Technical data	35
Noise information	36
Ordering spare parts.....	36
Disposal.....	37
Disposing of the packaging	37
Disposing of the table saw	37
Declaration of conformity.....	38
Warranty Card.....	39
Warranty conditions.....	40

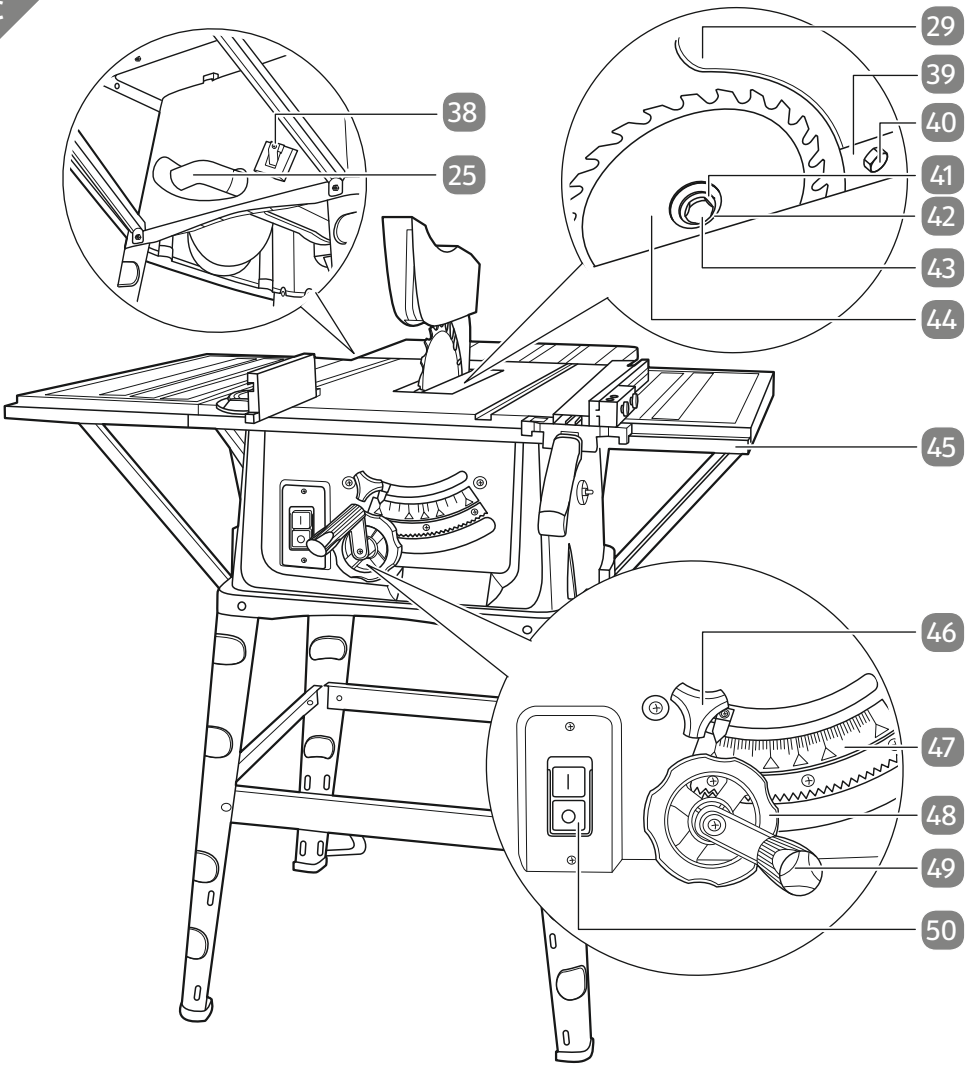
A



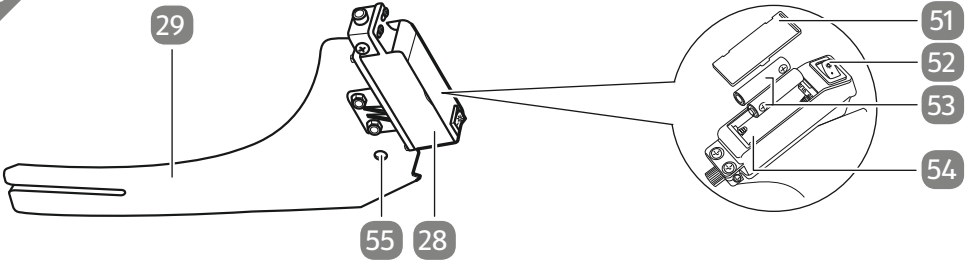
B



C



D



Pack contents/device parts

- | | | | |
|----|--|----|---|
| 1 | Saw table | 29 | Splitting wedge |
| 2 | Table insert (with fixing screws, 2×) | 30 | Waste bag |
| 3 | Guide groove (saw table) | 31 | Eccentric lever (parallel guide) |
| 4 | Right table width extension | 32 | Viewing window (parallel guide) |
| 5 | Left table width extension | 33 | Parallel guide
(with carriage screw and knurled nut, 2×) |
| 6 | Table length extension | 34 | Guide rail (cross guide) |
| 7 | Long table support, 2× | 35 | Knurled knob (cross guide) |
| 8 | Short table support, 4× | 36 | Cross guide
(with carriage bolt and knurled nut, 2×) |
| 9 | Centre brace, 4× | 37 | Stop rail (cross guide) |
| 10 | Stop rail (parallel guide) | 38 | Push stick holder |
| 11 | Push stick | 39 | Clamping plate (for securing the splitting wedge) |
| 12 | Tip guard, 2× | 40 | Clamp bolt (for securing the splitting wedge) |
| 13 | Support leg, 4× | 41 | Pressure disc (saw blade) |
| 14 | Rubber foot, 4× | 42 | Outer saw blade flange |
| 15 | Carriage bolt, 8× | 43 | Hexagon bolt (saw blade) |
| 16 | M6×12 mm hexagon bolt, 10× | 44 | Saw blade |
| 17 | M6×16 mm hexagon bolt, 14× | 45 | Rail with scale (saw table) |
| 18 | Spring washer, 24× | 46 | Locking knob |
| 19 | Flat washer, 34× | 47 | Angle scale (cutting angle) |
| 20 | Hexagon nut, 18× | 48 | Crank wheel |
| 21 | Large washer, 8× | 49 | Crank |
| 22 | Ring spanner | 50 | Power switch (green: I / red: 0) |
| 23 | Saw blade key | 51 | Battery compartment cover (laser) |
| 24 | AF10 spanner | 52 | Laser switch (laser on:  / laser off: 0) |
| 25 | Adapter (extractor connection for the saw table) | 53 | Batteries (laser), 2× 1.5 V  AAA/LR03 |
| 26 | Saw blade guard | 54 | Battery compartment (laser) |
| 27 | Lens head screw (saw blade guard) | 55 | Long hole (splitting wedge) |
| 28 | Laser | | |

General information

Reading and storing the user manual



This user manual accompanies this table saw. It contains important information on safety, usage and care.

Read this user manual carefully before using the table saw. Pay particular attention to the safety instructions and warnings. Failure to follow the instructions in this user manual may result in serious injury or damage to the table saw.

Comply with applicable local or national regulations concerning the use of this product. Keep this user manual in a safe place for future reference. If you pass the table saw on to third parties, please be absolutely sure to include this user manual.

Explanation of symbols

The following symbols and signal words are used in this user manual, on the table saw or on the packaging.



WARNING!

Designates a hazard that may lead to death or severe injury if not avoided.



CAUTION!

Designates a hazard that may lead to minor or moderate injury if not avoided.

NOTICE!

Warns against potential damages to property.



This symbol provides you with useful supplementary information on assembly or operation.



Declaration of conformity (see chapter "Declaration of conformity"): Products marked with this symbol meet all applicable Community regulations for the European Economic Area.



Read the user manual.



Wear protective goggles.



Wear a dust mask.



Wear ear protection.



Attention! Risk of injury due to sharp edges.



This table saw is equipped with a class 2 laser.
Do not look into the laser beam.



This symbol identifies the table saw as a device belonging to protection class II.

Safety

Proper use

The table saw is exclusively designed for private use and for hobby and DIY projects for the following purposes:

- for cutting wood of all kinds lengthwise in accordance with the size of the machine,
- for cutting wood of all kinds (only with the cross guide) crosswise in accordance with the size of the machine.

Round lumber, regardless of the kind, must not be cut.

Only saw blades suitable for the machine (HM or CV saw blades) may be used. The use of HSS saw blades and cutting discs of any kind is prohibited.

Any other applications are expressly prohibited and are deemed improper use.

Neither the manufacturer nor the retailer can accept any responsibility for injury, loss or damage caused by misuse of this product of any kind. Examples of misuse are given in the following non-exhaustive list:

- Using the table saw for other than the intended purposes;
- Failure to observe the safety instructions and warnings as well as the assembly, operating, maintenance and cleaning instructions contained in this user manual;
- Failure to comply with any regulations relating to accident prevention, occupational medicine or safety, which specifically and/or generally apply to the use of this table saw;
- Use of accessories or spare parts that are not suitable for the table saw;

- Modifications to the table saw;
- Repair of the table saw by parties other than the manufacturer or a qualified professional;
- Use of the table saw for commercial or industrial applications;
- Operation or maintenance of the table saw by persons not familiar with how to handle the table saw and/or who are not aware of the related risks.

Residual risks

Despite proper use, inconspicuous residual risks cannot be completely ruled out.

The following risks may arise due to the nature of the table saw:

- Touching the exposed areas of the saw blade.
- Reaching into the rotating saw blade (cut injury).
- Kickback of the work piece and parts of the work piece if used improperly.
- Saw blade breaks.
- Projection of defective hard metal parts of the saw blade.
- Hearing loss in the event of failure to use the required ear protection.
- Damage to the eyes if the required safety goggles are not used.
- Injury to health if the required dust mask is not used.
- Emission of wood dust that is harmful to health if used in enclosed spaces.

Safety instructions

ATTENTION! When using power tools, the following basic safety measures must be taken in order to provide protection against electric shocks, risk of injury and fire.

Read all these notes before using this power tool and keep the safety instructions in a safe place.

Working safely

1. Keep work area clean and well lit.

- Disorganisation in your work area poses a risk of accident.

2. Take any environmental factors into account.

- Do not expose the power tools to rain.
- Do not operate the power tools in wet or damp rooms.
- Ensure that the work area is well lit.
- Do not use the power tools if there is a risk of fire or explosion.

3. Protect yourself against electrical shock.

- Avoid contact between your body and earthed parts (e.g. pipes, radiators, electric stoves, cooling units).

4. Keep other persons away.

- Do not allow other persons, particularly children, to touch the power tool or cable. Keep them away from your work area.

5. Store unused power tools in a safe area.

- Unused power tools should be stored in a dry, elevated or closed off area that is out of the reach of children.

6. Do not overload the power tool.

- It works better and more safely within the specified power range.

7. Use the right power tool.

- Do not use any low-power machines to perform heavy-duty work.
- Do not use the power tool for purposes other than the intended one. Do not use e.g. a handheld circular saw to cut tree branches or wood blocks.

8. Dress properly.

- Do not wear any loose-fitting clothing or jewellery as it could be caught by moving parts.
- It is recommended that you wear firm footwear when working outdoors.
- If you have long hair, wear a hair net.

9. Use protective equipment.

- Wear protective goggles.
- Use a breathing mask when performing dusty work.

10. Connect the dust extraction device.

- If there are any ports for dust extractors and collectors, make sure that they are connected and used properly.

11. Do not use the cable for purposes other than the intended one.

- Do not use the cord to pull the plug out of the socket. Protect the cord against heat, oil and sharp edges.

12. Secure the work piece.

- Use clamping fixtures or a vice to hold the work piece. This will ensure that it is more securely held than it would be with your hand.

13. Do not overreach.

- Keep proper footing and balance at all times.

14. Take good care of your power tools.

- Keep cutting tools sharp and clean so that you can work more effectively and safely.
- Observe the notes for lubricating and changing tools.
- Check the mains connection line of the power tool regularly and have it replaced by a qualified professional in case of damage.
- Check the extension cords regularly and replace them if they are damaged.
- Keep the handles dry, clean and free of oil and grease.

15. Pull the plug out of the socket.

- When not using the power tool, before performing maintenance and when changing tools such as saw blades, drill bits, router bits.

16. Do not leave any tool keys inserted.

- Before you switch the tool on, make sure that keys and adjusting tools have been removed.

17. Prevent accidental start-up.

- Ensure that the switch is off when inserting the plug in the socket.

18. Use an extension cord when working outdoors.

- When outside, only use an extension cord that is approved for such use and which is labelled accordingly.

19. Remain attentive.

- Pay attention to what you are doing. Approach work in a reasonable manner. Do not use any power tool if you are not able to concentrate, are tired or under the influence of drugs, alcohol or medication.

20. Check the power tool for any damages.

- Before you use the power tool, the protective devices or easily damaged parts must be carefully checked to make sure they are functioning properly and as intended.
- Check to make sure that moving parts are fully functional, that they are not jammed and that the parts are not damaged. All parts must be properly mounted and fulfil conditions to ensure proper operation of the power tool.

- Damaged protective devices and parts must be properly repaired or replaced by a qualified workshop before using the table saw.
- Damaged switches must be replaced by a customer service workshop.
- Do not use any power tools if the switch cannot be turned on and off.

21. ATTENTION!

- Using other fitted tools and accessories may pose a risk of injury.

22. Have your power tool repaired by an electrical technician.

- This power tool complies with applicable safety regulations. Repairs may only be performed by an electrician who uses original replacement parts; otherwise, there is a risk of accident for the operator.

Supplementary safety instructions

Supplementary safety instructions for the table saw



Danger for children and persons with impaired physical, sensory or mental capacities (e.g. partially disabled persons, older persons with reduced physical and mental capacities) or lack of experience and knowledge (e.g. older children).

- The table saw must not be used by children and persons with impaired physical, sensory or mental capacities or lack of experience and knowledge.
- The operator must be at least 18 years of age.
- Keep children away from the table saw. Make sure children do not play with the table saw or insert any objects into the table saw.
- Do not allow children to play with the packaging wrapper. They may get caught in it when playing and suffocate.



Risk of injury!

If used improperly or in a negligent manner, the table saw can inflict serious injury and harm your health.

- Set up the table saw on a solid, stable and level surface.
- Safety devices on the table saw must not be removed or dismantled.

- Wear personal protective gear when using the table saw. This may include:
 - Ear protection to reduce the risk of becoming hard of hearing;
 - Eye protection;
 - Respiratory protection to reduce the risk of inhaling dust that is hazardous to health;
 - Gloves when handling saw blades and rough materials. It is recommended to store the saw blades in a container to prevent injury.
- Connect the table saw to a suitable dust extractor when cutting wood.
- Promptly replace a worn or damaged table insert.
- Use a push stick or a push block to safely push the work piece through the saw blade.
- Always keep the push stick or the push block by the machine when not in use.
- Do not try to cut rebates or grooves with the table saw without fitting a suitable protective device, e.g. a tunnel-type device, over the saw table.
- Do not use the table saw to cut slots (a groove ending in the work piece).
- Only use saw blades whose maximum permissible speed is not less than the maximum spindle speed of the table saw and suitable for the material you intend to cut.
- Only use the transport fixtures for transport; never use the protective fixtures for handling or transport.
- During transport, always cover the top part of the saw blade, for example, with the saw blade guard.

 **WARNING!****Risk of electric shock!**

A faulty electrical installation or excessive mains voltage may result in an electric shock.

- Only connect the table saw if the mains voltage of the socket corresponds to the specification on the rating plate.
- Only connect the table saw to an easily accessible socket so that you can quickly disconnect the table saw from the power supply in the event of a fault.

- If an extension cord is required, make sure its diameter is sufficient to accommodate the power consumption of the table saw.
Minimum sectional area 1 mm².
- Only use cable drums if the cable is completely rolled out.
- Check the mains connection line. Do not use any faulty or damaged mains connection lines.
- The table saw is equipped with a safety switch to protect it against reactivation after a voltage drop.
- Never operate the table saw in wet rooms or in the rain.
- If the mains connection line of the table saw is damaged, it must be replaced by the manufacturer, its after sales support or a similarly qualified person in order to prevent risks.
- Never touch the mains plug with damp hands.
- Never pull the mains plug out of the socket by the mains connection line; instead, always do so by taking hold of the mains plug.
- Lay the mains connection line so that it does not pose a tripping hazard.
- Do not kink the mains connection line and do not lay it over sharp edges.

Supplementary safety instructions for the saw blades



Risk of injury!

Using damaged or unsuitable saw blades poses a risk of injury.

- Do not use any damaged or deformed saw blades.
- Do not use any saw blades made of high speed steel.
- Check the condition of the saw blades before you use the table saw.
- Only use saw blades suitable for the material you intend to cut.
- Only use the saw blades specified by the manufacturer.
The saw blades must comply with EN 847-1 if they are intended for cutting wood or similar materials.
- When changing the saw blade, make sure that the cutting width is not less and the thickness of the steel blade is no greater than the thickness of the splitting wedge.
- Only use fitted tools if you are able to use them in a controlled manner.

- Observe the maximum speed. The maximum speed specified on the fitted tool must not be exceeded. Comply with the speed if specified.
- Do not use any fitted tools that are cracked. Dispose of any cracked fitted tools. It is not permissible to repair them.
- Clean any dirt, oil, grease and water off of the clamping surfaces.
- It is not permitted to use loose reducing rings or bushings to reduce bore holes in circular saw blades.
- Make sure that fixed reducing rings for securing the fitted tool have the same diameter and are at least 1/3 of the cutting diameter.
- Make sure that fixed reducing rings are parallel to one another.
- Handle the fitted tools carefully. Ideally, you should store them in the original packaging or special containers.
Wear protective gloves for better grip and to further reduce the risk of injury.
- Before using fitted tools, make sure that all protective devices are properly secured.
- Before use, make sure that the fitted tool complies with the technical requirements of this power tool and that it is properly secured.
- Only use the enclosed saw blade for cutting wood and never use it to cut metals.

Supplementary safety instructions for the laser

- **Do not point the laser beam at reflective surfaces or directly at persons or animals and do not look into the laser beam.** This laser emits a laser beam that falls under laser class 2 in accordance with EN 60825-1:2014. You could blind people with it.
- **A laser is not a toy and does not belong in the hands of children.** Using it incorrectly may result in irreparable damage to the eyes.
- **It is forbidden to manipulate the laser so as to increase its power in any way.** No liability will be assumed for any damages caused as the result of failure to comply with these safety instructions.
- **The laser does not contain any serviceable parts.** Therefore, do not open the housing. Otherwise, you will render the warranty void.
- **Warning! Do not swap the laser with another type of laser. Only the manufacturer of the laser or an authorised representative may perform repairs.**
- **Never switch the laser on or off while the table saw is running.**

Supplementary safety instructions for batteries

⚠ WARNING!**Risk of injury!**

Improperly handling batteries may result in severe injury.

- Attention: Danger of explosion due to improper replacement of the batteries. Only replace the batteries with the same type or an equivalent battery type. Observe the “Technical data”.
- Batteries must not be charged, opened, thrown into fire, short circuited or reactivated by other means.
- Avoid contact with skin, eyes and mucus membranes. In the event of contact with battery acid, the affected area must be rinsed immediately with plenty of clean water and a doctor must be consulted promptly.

NOTICE!**Risk of damage!**

Improper handling may result in damage to the table saw.

- Take the batteries out of the battery compartment if they are flat or if you do not use the table saw for a prolonged period of time. This avoids damage that could be caused by battery leakage.
- Do not expose the batteries to extreme conditions by, for example, placing them on radiators or exposing them to direct sunlight.
- If necessary, clean the contacts of the batteries and device before inserting them, e.g. with a piece of emery cloth.
- Do not use old and new batteries or different types of batteries together.

Checking the saw and pack contents

 **CAUTION!**

Risk of injury!

Improper handling may pose a risk of injury.

- The table saw is very heavy. Have a second person help you lift the table saw out of the packaging.
- When unpacking and assembling it, keep children away. Do not allow children to play with the packaging materials.
- When unpacking the table saw, make sure to place all parts of the table saw so that they are in a stable position and do not tip over or similar.
 1. Carefully take the table saw and all individual parts out of the packaging and remove all packaging materials.
If possible, keep the packaging for further reference.
 2. Check to make sure that the delivery is complete (see **fig. A, B, C and D**).
 3. Check whether the table saw or the individual parts exhibit damages. If this is the case, do not use the table saw. Contact the manufacturer at the service address specified on the warranty card.

Assembly

⚠ WARNING!

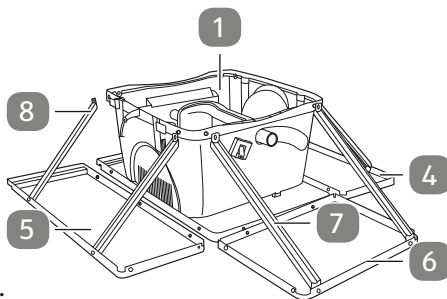
Risk of injury!

Incorrectly assembling the table saw can result in serious injury.

- Before start-up, assemble the table saw properly and completely, including all covers and safety devices.
- Do not in any case insert the mains plug in the socket until you have completed assembly.

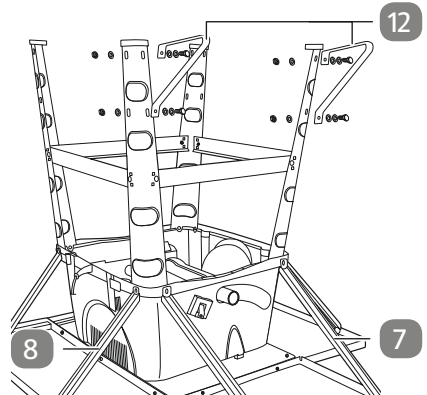
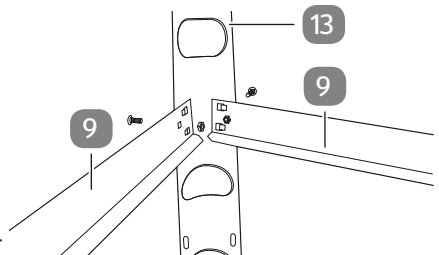
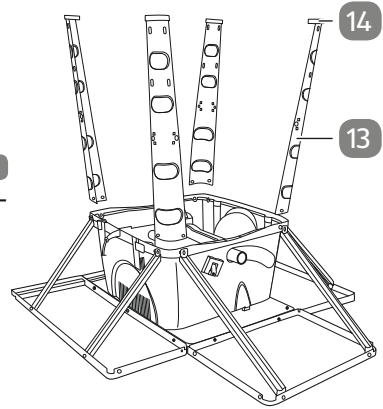
Mounting the table extensions

1. Turn the saw table **1** over and place it on the floor.
2. Loosely attach the two table width extensions **4** / **5** and the table length extension **6** onto the saw table using two M6×16mm hexagon bolts each **17**, two spring washers **18** and two flat washers **19**. Use the corresponding threaded drill holes on the saw table for this.
3. Attach the four short table supports **8** loosely onto the two table width extensions using one M6×12mm hexagon bolt **16** each, one spring washer **18**, two flat washers **19** and a hexagon nut **20**.
4. Attach the two long table supports **7** loosely onto the table length extension using one M6×12mm hexagon bolt **16**, one spring washer **18**, two flat washers **19** and one hexagon nut **20**.
5. Align the table width extensions and the table length extension so that they are level with the saw table and tighten all existing connections.



Mounting the support legs

1. Attach one rubber foot **14** to each of the support legs **13**.
2. Attach the four support legs and the free ends of the six table supports **7** / **8** loosely onto the saw table using two M6×16mm hexagon bolts **17** each and two large washers **21**. Use the corresponding threaded drill holes on the saw table for this.
3. Attach a centre brace **9** between the two support legs by inserting the retaining lugs on the ends of the centre brace through the fixing holes on the support legs and clamping them in place.
4. Use two carriage bolts **15**, two flat washers **19**, two spring washers **18** and two hexagon nuts **20** to secure each of the centre braces on the support legs.
5. Now tighten all existing connections.
6. Mount a tip guard **12** on each of the two back support legs using two M6×12mm hexagon bolts **16** each, two spring washers **18**, four flat washers **19** and two hexagon nuts **20**.
7. Carefully turn the saw table over and set it upright with its support legs on the ground.



Mounting/adjusting the splitting wedge

⚠ WARNING!

Risk of injury!

Unintended activation of the table saw and improper handling of the saw blade could result in serious injury.

- Always pull the mains plug out of the socket before you make any adjustments to the table saw.
- Always wear protective gloves when handling the saw blade or working in its direct vicinity.

Check the splitting wedge **29** every time after you change the saw blade and realign it if necessary.

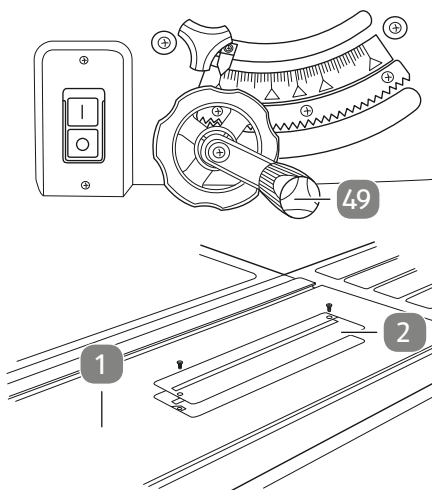
1. Make sure that the saw blade **44** has been lowered all the way into the saw table **1**. If necessary, lower the saw blade by turning the crank **49** counterclockwise up to the stop point.

2. If necessary, remove the saw blade guard **26** from the splitting wedge by loosening the lens head screw **27**, gently pulling the saw blade guard apart and then carefully pulling it over the laser **28** and off of the splitting wedge.

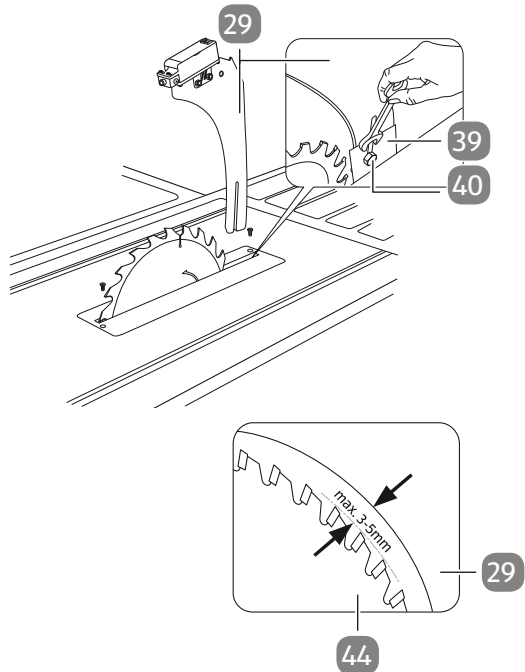
3. Loosen the two fixing screws and remove the table insert **2** from the saw table. Always check the table insert in the process: Immediately replace the table insert if it is damaged or is no longer flush with the saw table.

4. Make sure that the angle of the saw blade is set to 0°. If necessary, set the angle as described in the chapter “Setting the cutting angle”.

5. Rotate the saw blade all the way out of the saw table by turning the crank clockwise up to the stop point.

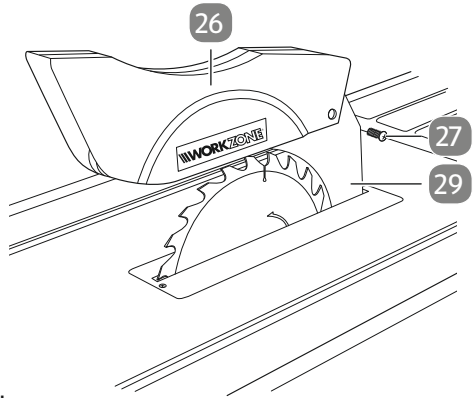


6. Use an AF10 spanner **24** to loosen the clamp bolt **40** behind the saw blade by turning it a few revolutions counterclockwise.
7. Insert the splitting wedge behind the clamping plate and **39** push it all the way down.
8. Tighten the clamp bolt by turning it a few revolutions clockwise.
9. Align the splitting wedge so that there is 3–5 mm of space to the saw blade on all sides.
10. Fix the splitting wedge in place by tightening the clamp bolt by turning it clockwise again.
11. Turn the saw blade all the way into the saw table by turning the crank counterclockwise up to the stop point.
12. Pull the table insert slightly apart and guide it over the laser and splitting wedge again. Run the tab on the back of the table insert into the corresponding groove on the saw table and then lower the front side.
13. Check to make sure that the table insert is properly seated: The table insert must be flush with the saw table.
14. Use the two fixing screws to fix the table insert in place.
15. Mount the saw blade guard as described in the chapter “Mounting the saw blade guard”.



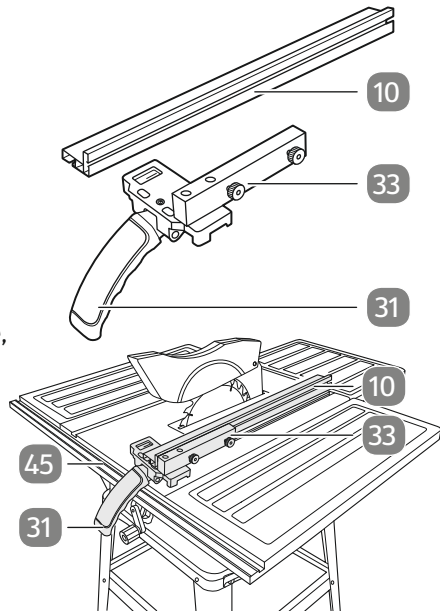
Mounting the saw blade guard

1. Remove the lens head screw **27** on the back part of the saw blade guard **26**.
2. Pull the saw blade guard slightly apart and carefully guide it over the laser **28** and onto the splitting wedge **29**.
3. Position the saw blade guard so that the long hole **55** at the back of the splitting wedge is in line with the screw openings on the saw blade guard.
4. Use the lens head screw to fix the saw blade guard on the splitting wedge. Make sure that you do not overtighten the lens head bolt; it should be easy to lift the saw blade guard up and down.



Mounting the parallel guide

1. Push the stop rail **10** onto the parallel guide **33** so that the squares of the two carriage bolts slide into the profile of the stop rail.
2. Fix the stop rail on the parallel guide by tightening the two knurled nuts.
3. Place the parallel guide with the opened eccentric lever **31** on the rail **45** on the saw table.
4. To adjust the position of the parallel guide, slide the parallel guide with the opened eccentric lever to the right or left.
5. Push the eccentric lever all the way down to fix the parallel guide in the desired position.



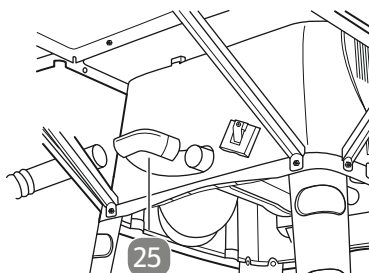
Mounting the waste bag

The waste bag **30** is attached between the left table width extension **5** and the table length extension **6** and serves to collect smaller cutting rests.

- Hold the waste bag between the left table width extension and the table length extension so that the logo on the waste bag is facing the open side.
- Attach the loops on the waste bag to the four premounted screws on the left table width extension and the table length extension so that the waste bag is secure.

Connecting the extraction device

- Connect the adapter **25** to the extractor connection on the back of the table saw.
- Connect the suction hose to a suitable shaving extractor (e.g. a multi-purpose vacuum cleaner) and secure it e.g. with a hose clamp. Observe the following: A normal household vacuum cleaner is not a suitable extraction device.



Operation

Setting the cutting depth

Use the crank **49** to rotate the saw blade **44** out of the saw table **1** or lower it into the saw table. To set the desired cutting depth:

- **Increase the cutting depth:** Turn the crank counterclockwise so that the saw blade is drawn out of the saw table.
- **Reduce the cutting depth:** Turn the crank clockwise so that the saw blade is lowered into the table.

Setting the cutting angle

1. Turn the locking bolt **46** approx. one rotation counterclockwise to loosen it.
2. Use the crank wheel **48** to set the desired cutting angle on the angle scale **47**.
3. Tighten the locking bolt by turning it clockwise to fix the saw blade **44** with the desired angle.

Parallel guide

Stop height

The stop rail **10** for mounting on the parallel guide **33** has two guide surfaces of different heights. Depending on the thickness of the materials to be cut, turn the stop rail into an upright position for thick material (work piece thickness over 25 mm) and into a flat position for thin material (work piece thickness under 25 mm).

To turn the stop rail:

1. Loosen the knurled nuts of the parallel guide by turning them a few revolutions.
2. Pull the stop rail off of the parallel guide.
3. Turn the stop rail to the desired position.
4. Push the stop rail onto the parallel guide so that the squares of the two carriage screws slide into the profile of the stop rail.
5. Tighten the knurled nuts to fix the stop rail on the parallel guide.

Cutting width

When cutting pieces of wood lengthwise, use the parallel guide **33** that should be mounted on the right side of the saw blade to the extent possible.

A scale with black print and a scale with blue print are located on the rail **45** on the front of the saw table. They indicate the distance between the stop rail and the saw blade (cutting width):

- Use the scale in **black print** if you have mounted the **stop rail in an upright position** (for thick material).
- Use the scale in **blue print** if you have mounted the **stop rail in a flat position** (for thin material).

Proceed as follows to set the parallel guide to a certain dimension:

1. Lift the eccentric lever **31**.
2. Push the parallel guide until the desired dimension is visible on the scale in the viewing window **32**.
3. Push the eccentric lever all the way down to lock it.

Setting the stop length

To avoid clamping the material to be cut, the stop rail **10** can be moved lengthwise.

Rule of thumb: The back end of the stop runs into an imaginary line that roughly starts from the middle of the saw blade and runs to the back under 45°.

1. Set the required cutting width.
2. Loosen the knurled nuts on the parallel guide **33** by turning them a few revolutions.

3. Push the stop rail until its back end touches the imaginary 45° line.
4. Tighten the knurled nuts again.

Cross guide




Do not push the stop rail of the cross guide too far towards the saw blade. There should be approx. 2 cm of space between the stop rail and saw blade.

1. Push the stop rail **37** onto the cross guide **36** so that the squares of the two carriage screws slide into the profile of the stop rail.
2. Fix the stop rail on the cross guide by tightening the two knurled nuts.
3. Slide the guide rail **34** of the cross guide into one of the guide grooves **3** of the saw table.
4. Loosen the knurled knob **35** and turn the cross guide until the line on the guide rail is pointing to the desired angle.
5. Tighten the knurled knob again.

Laser

You can use the laser **28** to perform precision cuts with your table saw. The laser light is produced by a laser diode powered by two batteries **53**. The laser light is widened into one line and is emitted through the laser light opening. You can use the line as an optical mark for the cutting line when performing a precision cut. Observe the safety instructions for the laser.

- **Switching the laser on:** Set the laser switch **52** to  (laser on). The laser switch can be accessed through the opening on the top side if the saw blade guard is mounted. A red laser beam will now be emitted out of the laser light opening. Keeping the laser beam along the cutting line mark while sawing will ensure that your cuts are neat.
- **Switching the laser off:** Set the laser switch **52** to **0** (laser off). The laser beam will go out.
To save the battery power, always switch the laser off when it is no longer needed.

Dust and chips that have accumulated may block the laser beam.

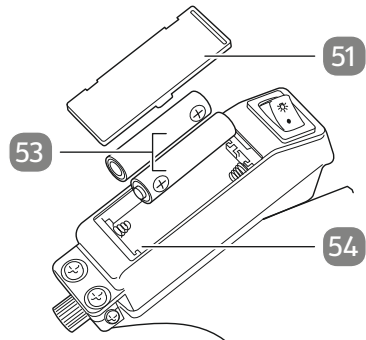
You should therefore remove these particles from the saw blade guard after every use.

Inserting/changing the batteries of the laser

The laser beam shows you exactly where the saw blade **44** will cut next so that you can make very precise cuts.

You will need two type AAA/LR03 1.5 V --- batteries **53** to operate the laser **28** (included in the pack contents). Proceed as follows to insert or change them:

1. Set the laser switch **52** to position **0** (laser off).
2. Remove the saw blade guard **26** from the splitting wedge **29** by loosening the lens head screw **27**, gently pulling the saw blade guard apart and then carefully pulling it over the laser and off of the splitting wedge.
3. Open the battery compartment cover **51** by folding it up and remove it.
4. Remove the old batteries from the battery compartment **54** if necessary. Please observe the notes in the chapter "Disposal".
5. Insert the new batteries. Make sure that the polarity is correct as specified in the battery compartment.
6. Put the battery compartment cover back into place.
7. Mount the saw blade guard as described in the chapter "Mounting the saw blade guard".



Switching the table saw on and off

WARNING!

Risk of injury!

Improper assembly of the table saw can result in serious injury.

- Before start-up, assemble the table saw properly and completely.
- Before switching the table saw on, make sure the saw blade is correctly mounted and that mobile parts move freely.
- To switch the saw on, push the green power switch **I 50**.
The motor will start. Wait until the saw blade **44** has reached the maximum speed before sawing.
- To switch the table saw off, push the red power switch **0 50**.

Caution: The saw blade will continue to rotate for some time. Only leave the table saw unattended once the saw blade has come to a stop.

Sawing

WARNING!

Risk of injury!

Improperly handling the table saw poses a risk of serious injury.

- When performing lengthwise cuts, do not stand directly in front of the table saw, instead stand diagonal to the cutting line.
- When performing bevel cuts, always use the parallel guide.
- Use a push stick or a push block to safely push the work piece through the saw blade. Immediately replace a damaged or worn push stick.
- Secure long work pieces so that they do not tip over at the end of the cut! Use e.g. a roller stand for this.



- Each time after making a new setting, perform a test cut to check the set dimensions.
- After switching on the table saw, wait until the saw blade has reached its maximum speed before you perform the cut.
- Attention when cutting into the workpiece!
- Only operate the table saw with an extraction device.
- Check and clean the suction channels regularly.

Performing lengthwise cuts

A lengthwise cut is applied to cut a work piece lengthwise. Push an edge of the work piece against the parallel guide **33** with the flat side on the saw table **1**.

1. Adjust the parallel guide to the work piece height and the desired width (see chapter “Parallel guide”).
2. Lower the saw blade guard **26** onto the saw table.
The saw blade guard is pushed up by the work piece while sawing.
3. Switch on the dust extractor first and then the table saw.
4. With your fingers closed, place your hands flat on the work piece and push it along the parallel guide into the saw blade **44**.
5. Only guide it laterally to the front edge of the saw blade guard with your left or right hand (depending on the position of the parallel guide).
6. Always push the work piece up to the end of the splitting wedge **29**.
7. Switch the table saw and the dust extractor off.
8. Let the cutting waste rest on the saw table until the saw blade returns to the resting position.

Performing bevel cuts

1. Set the saw blade **44** to the desired angle (see chapter “Setting the cutting angle”).
2. Set the parallel guide **33** corresponding to the width and height of the work piece (see section “Parallel guide”).
3. Perform the cut corresponding to the width of the work piece (see chapter “Performing lengthwise cuts”).

Performing cross cuts



Risk of injury!

Improperly handling the table saw poses a risk of serious injury.

- Always take hold of the guided work piece and never of the unguided work piece that is being cut off.
- Always push the cross guide forward until the work piece has been cut through completely.

1. Set the cross guide **36** as necessary (see chapter “Cross guide”).
If the saw blade **44** is also to be set at an angle, push the cross guide into the right guide groove **3** to prevent your hand and the cross guide from coming into contact with the saw blade guard **26**.
2. Lower the saw blade guard onto the saw table **1**.
The saw blade guard is pushed up by the work piece while sawing.
3. Firmly push the work piece against the cross guide.
4. Switch on the dust extractor first and then the table saw.
5. Push the cross guide and the work piece towards the saw blade to perform the cut.
6. Switch the table saw and the dust extractor off.
7. Let the cutting waste rest on the saw table until the saw blade returns to the resting position.

Cutting particleboards

To prevent raw edges when cutting particleboards, do not set the saw blade **44** higher than 5 mm above the work piece thickness.

When you are finished cutting

1. Switch the table saw off by pushing the red power switch **0 50**.
2. Disconnect the table saw from the power supply by pulling the mains plug out of the socket.
3. Wait until the saw blade **44** has come to a complete stop and then take the work piece off of the saw table **1**.
4. Let the table saw cool off completely.

Removing jammed material



Risk of injury!

Improperly handling the table saw poses a risk of serious injury.

- Immediately switch the table saw off and pull the mains plug out of the socket if the saw blade catches in the work piece or any other blockages occur.
- Use protective gloves. Do not touch the saw blade with your bare hands.

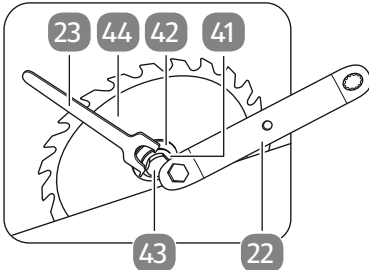
Changing the saw blade



Risk of injury!

Improperly handling the table saw poses a risk of serious injury.

- Use protective gloves. Do not touch the saw blade with your bare hands.
1. Make sure that the saw blade **44** has been lowered all the way into the saw table **1**. If necessary, lower the saw blade by turning the crank **49** counterclockwise up to the stop point.
 2. Remove the saw blade guard **26** from the splitting wedge **29** by loosening the lens head screw **27**, gently pulling the saw blade guard apart and then carefully pulling it over the laser **28** and off of the splitting wedge.
 3. Loosen the two fixing screws and remove the table insert **2** from the saw table. Always check the table insert in the process: Immediately replace the table insert if it is damaged or is no longer flush with the saw table.
 4. Make sure that the angle of the saw blade is set to 0°. If necessary, set the angle as described in the chapter “Setting the cutting angle”.

5. Rotate the saw blade all the way out of the saw table by turning the crank clockwise up to the stop point.
 6. Remove the splitting wedge by loosening the clamp bolt **40** by turning it clockwise a few revolutions and then pulling the splitting wedge up and out.
 7. Use the saw blade key **23** to fix the saw blade:
The retaining lugs on the saw blade key extend into the openings in the middle of the saw blade.
 8. Use the ring spanner **22** to turn the hexagon bolt **43** counterclockwise to loosen it.
 9. Carefully hold the saw blade with one hand and remove the hexagon bolt, the pressure disc **41** and the outer saw blade flange **42** from the drive shaft.
- 
10. Now take the saw blade off of the drive shaft and carefully pull it up and out of the saw table.
 11. Clean the outer and inner saw blade flange thoroughly before mounting a new saw blade.
 12. Mount a new saw blade on the drive shaft. In the process, observe the direction of rotation: the cutting edge of the blade teeth must point in the direction of rotation (to the front). Usually, the direction of rotation is indicated on the saw blade.
 13. Place the outer saw blade flange back on the drive shaft. At the same time, make sure that the outer saw blade flange is correctly aligned.
 14. Run the hexagon bolt through the pressure disc and into the drive shaft and secure it tightly with your hand.
 15. Carefully turn the saw blade in the direction of rotation: It must be exactly centred and must not “wobble”. Check to make sure that the saw blade, outer flange and pressure disc are correctly positioned if the saw blade is not properly centred and realign the parts.
 16. Use the saw blade key to hold the saw blade in place and use the ring spanner to turn the hexagon bolt tight.
 17. Mount the splitting wedge, the table insert and the saw blade guard as described in the chapter “Mounting/adjusting the splitting wedge”.

Cleaning

⚠ WARNING!**Risk of injury!**

Improperly handling the table saw poses a risk of serious injury.

- Before cleaning, switch the table saw off and pull the mains plug out of the socket.
- Wear suitable protective gloves when working on the table saw.

⚠ WARNING!**Burn hazard!**

The saw blade may become hot during operation, you could burn yourself on it.

- Always let the saw blade cool off completely before cleaning.

NOTICE!**Risk of damage**

Water that has penetrated the housing may cause a short circuit, improper cleaning could damage the table saw.

- Do not wash the table saw and also do not spray it off with a water jet.
- Make sure that no water penetrates the housing.
- Do not use any aggressive cleaners, sharp or metallic cleaning utensils such as knives, hard scrapers and the like. They could damage the surfaces.
- Clean the table saw directly after each use.
- Keep the protective devices as free of dust and dirt as possible.
- Rub the table saw off with a clean cloth or blow it off with low-pressure compressed air.
Wear protective goggles when using compressed air.
- Use a damp cloth and a small amount of soft soap if it is heavily soiled.

Maintenance and care

⚠ WARNING!**Risk of injury!**

Improperly handling the table saw poses a risk of serious injury.

- Before maintenance, switch the table saw off and pull the mains plug out of the socket.
- Wear suitable protective gloves when working on the table saw.
- There are no parts that can be repaired by the user inside this table saw. Never attempt to repair the table saw yourself. Always contact a qualified workshop for this.

NOTICE!**Risk of damage**

Water that has penetrated the housing may cause a short circuit.

- Never immerse the table saw in water.
- Make sure that no water penetrates the housing.



Proper, regular care is not only important for safe use, but also helps to extend the service life of the table saw.

Replacing the carbon brushes

The carbon brushes may only be replaced by a specialist workshop or qualified specialist personnel.

Replacing the connector cord

If the mains connection line of the table saw is damaged, it must be replaced by the manufacturer, its after sales support or a similarly qualified person in order to prevent risks.

Checking the table saw

Regularly check the condition of the table saw.

Among other things, check to make sure:

- that the switches are not damaged,
- that the accessories are in proper condition,
- that the mains connection line and the mains plug are not damaged,
- that the vents are unobstructed and clean. If applicable, use a soft brush to clean them.

If you identify any damage, you must have it repaired by a specialist workshop to prevent risks.

Storage

1. Clean the table saw as described in the chapter "Cleaning" before storage.
2. Store the table saw in a dry place that is not accessible for children.
3. Cover the table saw to protect it from dust and other contamination.

Transport



Risk of injury!


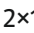
Improper handling may pose a risk of injury.

- The table saw is very heavy. Have a second person help you transport the table saw.
- Completely disassemble the table saw before transporting it.
- Secure the table saw to prevent it from slipping, shocks and vibration when transporting it in a vehicle.
- If possible, use the original packaging for transport.

Troubleshooting

Problem	Possible cause	Solution
The motor of the table saw is not running.	The mains plug has not been inserted.	Insert the mains plug.
	The house fuse or residual current protection switch has triggered.	Check the mains cord and, if applicable, the extension cord for damage. Replace the fuse or switch it back on (circuit breaker).
	The motor overload protection has triggered because the motor is overloaded or overheated.	Let the table saw cool off for 15–20 minutes.
Insufficient cutting power, the saw blade does not run smoothly and/or a large amount of dust is produced while sawing.	The saw blade is dull.	Replace the saw blade with a new one.
The motor produces a large amount of sparks.	The carbon brushes are defective.	Have the table saw checked by a qualified workshop.

Technical data

Model:	WZTS 2000
Supply voltage:	230–240 V~/50 Hz
Output:	2000 W (S6 40%)
Idle speed n_0 :	4250 min ⁻¹
Electrical appliance class:	II 
Hard metal saw blade 24 teeth:	Ø 254×Ø 30×2.8 mm
Hard metal saw blade 48 teeth:	Ø 254×Ø 30×2.8 mm
Max. cutting depth:	80 mm/ 90° 55 mm/ 45°
Height adjustment:	continuously 0–80 mm
Saw blade pivotable:	continuously 0°–45°
Extractor connection:	Ø 35 mm
Net weight:	approx. 24 kg
Sound pressure level L_{pA} :	94.88 dB(A)
Uncertainty K_{pA} :	3 dB(A)
Sound power level L_{WA} :	107.88 dB(A)
Uncertainty K_{WA} :	3 dB(A)
Dimensions of the table saw:	
Working height:	870 mm
Table size:	638×430 mm
Table width extension:	638×250 mm
Table length extension:	430×320 mm
Laser:	
Laser class:	2
Battery:	2×1.5V  AAA/LR03
Article number:	93709

S6 type of operation: Continuous operation

To prevent the motor from heating up to an impermissible extent, the table saw may only be used as follows:

After being operated for a period of 4 minutes (S 6 = 40 %) under a normal permissible load, the table saw must be left in idle operation for 6 minutes.

Noise information



Health hazard!

- Wear ear protection and suitable protective clothing when working with the device.

Noise emission values

Measured in accordance with EN 61029-1. The noise at your workplace may exceed 85 dB (A); protective measures are necessary in this case (wear suitable ear protection).

- Sound pressure level: L_{pA} 94.88 dB(A)
- Sound power level: L_{wA} 107.88 dB(A)
- Uncertainty K 3 dB(A)

The aforementioned values are noise emission values and therefore, do not necessarily represent safe values for the workplace at the same time. The correlation between emission and immission levels cannot reliably provide for a conclusion as to whether additional cautionary measures are necessary or not.

Factors that could affect the respective immission level present at the workplace involve the specification of the work area, the surrounding area, the duration of exposure, other noise sources etc.

You must also observe any divergences in national regulations with respect to the permissible workplace levels. The aforementioned information does, however, allow the user to better assess dangers and risks.

Ordering spare parts

The following data should be provided when ordering spare parts:

- Device type: WZTS 2000
- Article number (Einhell): 43.405.72
- Ident number: 11016
- Spare part number of the required spare part

You can find current prices and information at www.einhell.co.uk

Disposal

Disposing of the packaging



Dispose of the packaging separated into single type materials. Dispose of cardboard and carton as waste paper and foils via the recyclable material collection service.

Disposing of the table saw

Dispose of the table saw in accordance with the regulations in your country.



Old devices must not be disposed of with household waste!

This symbol indicates that this product must not be disposed of together with domestic waste in compliance with the Directive (2012/19/EU) pertaining to waste electrical and electronic equipment (WEEE). This product must be disposed of at a designated collection point. This can occur, for example, by handing it in at an authorised collecting point for the recycling of waste electrical and electronic equipment. Improper handling of waste equipment may have negative consequences for the environment and human health due to potentially hazardous substances that are often contained in electrical and electronic equipment. By properly disposing of this product, you are also contributing to the effective use of natural resources. You can obtain information on collection points for waste equipment from your municipal administration, public waste disposal authority, an authorised body for the disposal of waste electrical and electronic equipment or your waste disposal company.



Batteries and rechargeable batteries must not be disposed of with household waste!

As a consumer, you are required by law to turn in all batteries and rechargeable batteries, regardless whether they contain harmful substances* or not, at a collection point in your community/ borough or in a retail outlet so that they can be disposed of in an environmentally-friendly manner.

* labelled with: Cd = cadmium, Hg = mercury, Pb = lead

Declaration of conformity

Einhell Germany AG · Wiesenweg 22 · D-94405 Landau/Isar



Konformitätserklärung

D erklårt folgende Konformität gemäß EU-Richtlinie und Normen für Artikel
GB explains the following conformity according to EU directives and norms for the following product
F déclare la conformité suivante selon la directive CE et les normes concernant l'article
I dichiara la seguente conformità secondo la direttiva UE e le norme per l'articolo
NL verklaart de volgende overeenstemming conform EU richtlijn en normen voor het product
E declara la siguiente conformidad a tenor de la directiva y normas de la UE para el artículo
P declara a seguinte conformidade, de acordo com as diretiva CE e normas para o artigo
DK attesterer følgende overensstemmelse i medfør af EU-direktiv samt standarder for artikel
S förklarar följande överensstämmelse enl. EU-direktiv och standarder för artikeln
FIN vakuuttaa, että tuote täyttää EU-direktiivin ja standardien vaatimukset
EE tõendab toote vastavust EL direktiivile ja standarditele
CZ vydává následující prohlášení o shodě podle směrnice EU a norem pro výrobek
SLO potrjuje sledečo skladnost s smernico EU in standardi za izdelek
SK vydáva nasledujúce prehlásenie o zhode podľa smernice EU a noriem pre výrobok
H a cikkekhez az EU-irányvonal és Normák szerint a következő konformitást jelenti ki

PL deklaruje zgodność wymienionego ponizej artykułu z następującymi normami na podstawie dyrektywy WE.
BG декларира съответното съответствие съгласно Директива на ЕС и норми за артикул
LV paskaidro šādu atbilstību ES direktīvai un standartiem
LT apibūdina šį atitikimą EU reikalavimams ir prekės normoms
RO declară următoarea conformitate conform directivei UE și normelor pentru articolul
GR δηλώνει την ακόλουθη συμμόρφωση σύμφωνα με την Οδηγία ΕΚ και τα πρότυπα για το προϊόν
HR potvrđuje sljedeću usklađenost prema smjernicama EU i normama za artikl
BIH potvrđuje sljedeću usklađenost prema smjernicama EU i normama za artikl
RS potvrđuje sledeću usklađenost prema smernicama EZ i normama za artikal
RUS следующим удостоверяется, что следующие продукты соответствуют директивам и нормам ЕС
UKR проголошує про зазначену нижче відповідність виробу директивам та стандартам ЄС на виріб
MK ja izjavуva следната сообразност согласно EY-direktivata и нормите за артикли
TR Ürünü ile ilgili AB direktifleri ve normları gereğince aşağıda açıklanan uygunluğu belirtir
N erklærer følgende samsvar i henhold til EU-direktivet og standarder for artikkel
IS Lýsir uppfyllingu EU-reglna og annarra staða vöru

Table Saw WZTS 2000 (Workzone)

- 2014/29/EU
- 2005/32/EC_2009/125/EC
- 2014/35/EU
- 2006/28/EC
- 2014/30/EU
- 2014/32/EU
- 2014/53/EC
- 2014/68/EU
- 90/396/EC_2009/142/EC
- 89/686/EC_96/58/EC
- 2011/65/EU
- 2006/42/EC
- Annex IV
 Notified Body: TÜV Rheinland LGA Product Safety GmbH
 Notified Body No.: 0197
 Reg. No.: BM 50344377 0001
- 2000/14/EC_2005/88/EC
- Annex V
- Annex VI
 Noise: measured L_{WA} = dB (A); guaranteed L_{WA} = dB (A)
 P = KW; L/Ø = cm
 Notified Body:
- 2004/26/EC
 Emission No.:

**Standard references: EN 61029-1; EN 61029-2-1;
 EN 55014-1; EN 55014-2; EN 61000-3-2; EN 61000-3-3; EN 60825-1**

Landau/Isar, den 17.05.2016

Weichselgartner/General-Manager

Schunk/Product-Management

First CE: 16
 Art.-No.: 43.405.72 I.-No.: 11016
 Subject to change without notice

Archive-File/Record: NAPR014108
 Documents registrar: Daniel Laubmeier
 Wiesenweg 22, D-94405 Landau/Isar

WORKZONE® WARRANTY CARD

TABLE SAW WZTS 2000

Your details:

Name _____

Address _____

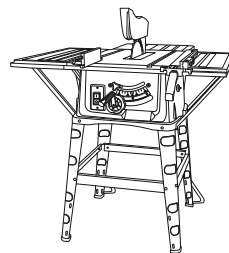
 _____ E-mail _____

Date of purchase* _____

* We recommend you keep the receipt with this warranty card.

Location of purchase _____

Description of malfunction:



If after contacting the manufacturer you are requested to return the faulty product please return the completed warranty card together with it.

Einhell UK Ltd
Unit 9 Stadium Court
Wirral International Business Park
Plantation Road
Bromborough
Wirral CH62 3QG
UNITED KINGDOM
info@einhell.co.uk

AFTER SALES SUPPORT



GB 0044 151 649 1500

IRE 0044 1890 946 244



www.einhell.co.uk

MODELL: WZTS 2000

PRODUCT CODE: 93709

10/2016

Hotline:

Call charges from your regular landline operator.

3

YEARS
WARRANTY



Warranty conditions

Dear Customer,

The **ALDI warranty** offers you extensive benefits:

Warranty period: **3 years** from date of purchase.

Costs: Free repair/exchange.
No transport costs.

ADVICE: Please contact our service hotline by phone, e-mail or fax before sending in the device. This allows us to provide support in the event of possible operator errors.

In order to make a claim under the warranty, please send us:

- the faulty item together with the original purchase receipt and the completed warranty card.
- the product with all components included in the packaging.

The warranty does not cover damage caused by:

- **Accident** or **unanticipated events** (e.g. lightning, water, fire).
- **Improper use** or **transport**.
- **Disregard of the safety** and **maintenance instructions**.
- Other **improper treatment** or **modification**.

After the expiry of the warranty period, you still have the possibility to have your product repaired at your own expense. If the repair or the estimate of costs is not free of charge you will be informed accordingly in advance.

This warranty does not affect your statutory rights.



Spend a little Live a lot

Great care has gone into the manufacture of this product and it should therefore provide you with years of good service when used properly. In the event of product failure within its intended use over the course of the first 3 years after date of purchase, we will remedy the problem as quickly as possible once it has been brought to our attention. In the unlikely event of such an occurrence, or if you require any information about the product, please contact us via our helpline support services, details of which are to be found both in this manual and on the product itself.



PRODUCED IN CHINA FOR:

ALDI STORES LTD. PO BOX 26, ATHERSTONE
WARWICKSHIRE, CV9 2SH

ALDI STORES (IRELAND) LTD.
PO BOX 726, NAAS, CO. KILDARE.
Visit us at www.aldi.com

AFTER SALES SUPPORT



GB 0044 151 649 1500
IRE 0044 1890 946 244



www.einhell.co.uk

MODEL: WZTS 2000

PRODUCT CODE: 93709

10/2016

3

**YEARS
WARRANTY**