

PARKSIDE

PSE 2800 A1



GB CY

GENERATOR

Operation and Safety Notes
Original operating instructions

HR

GENERATOR STRUJE

Upute za posluživanje i za Vašu sigurnost
Originalne upute za uporabu

BG

ГЕНЕРАТОР

Указания за обслужване и безопасност
Оригинална работна инструкция

GR CY

ΓΕΝΗΤΡΙΑ

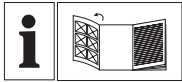
Υποδείξεις χειρισμού και ασφαλείας
Πρωτότυπες Οδηγίες χρήσης

DE AT CH

STROMERZEUGER

Bedienungs- und Sicherheitshinweise
Originalbetriebeanleitung

7+



GB CY

Before reading, unfold the page containing the illustrations and familiarise yourself with all functions of the device.

HR

Prije nego što pročitate tekst, otvorite stranicu sa slikama i upoznajte se na osnovu toga sa svim funkcijama uređaja.

BG

Преди прочита отворете страницата с изображенията и се запознайте след това с всички функции на уреда.

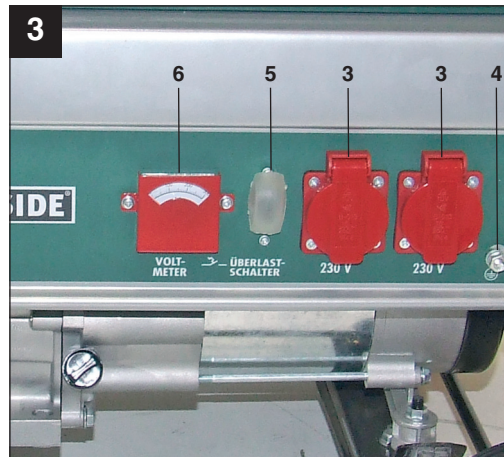
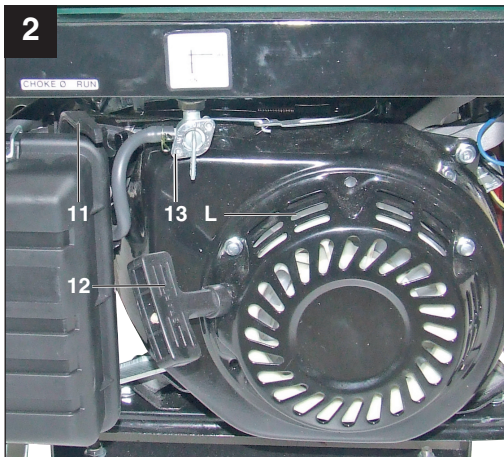
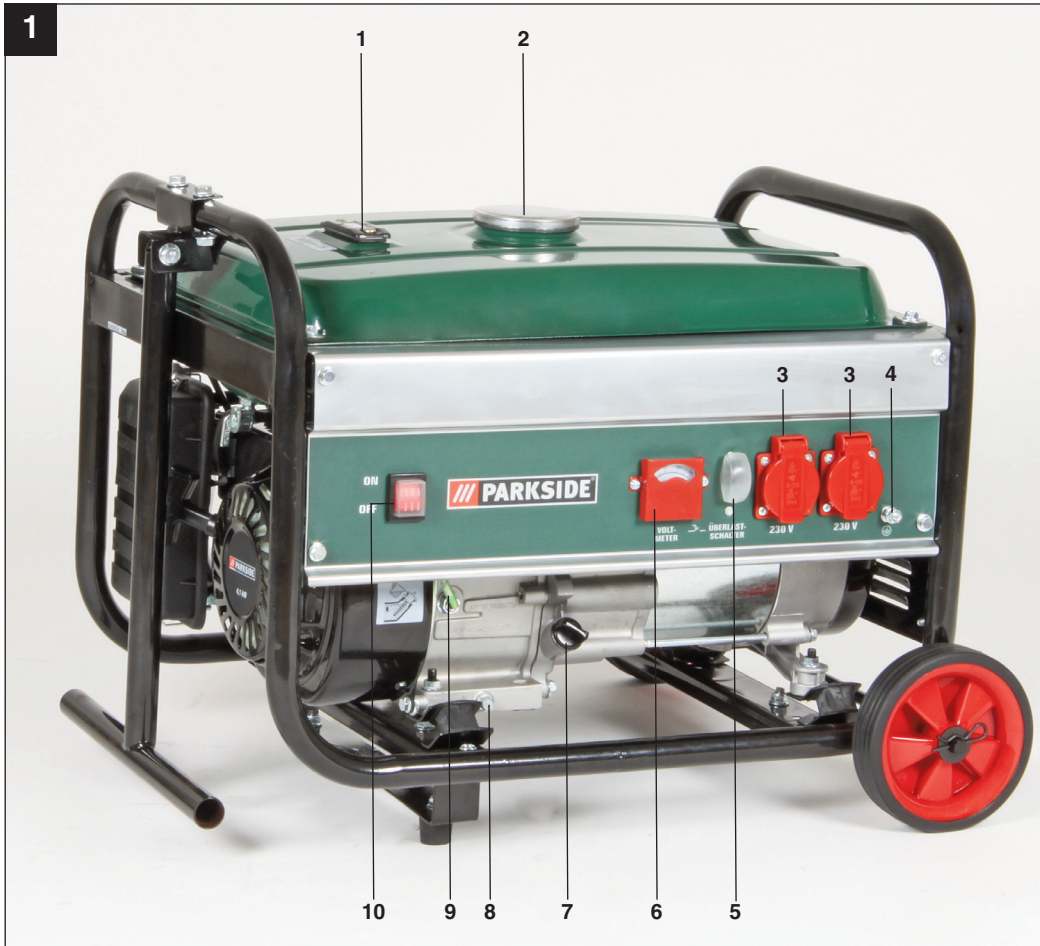
GR CY

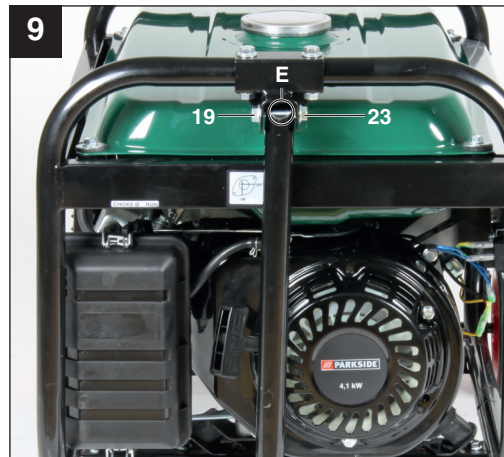
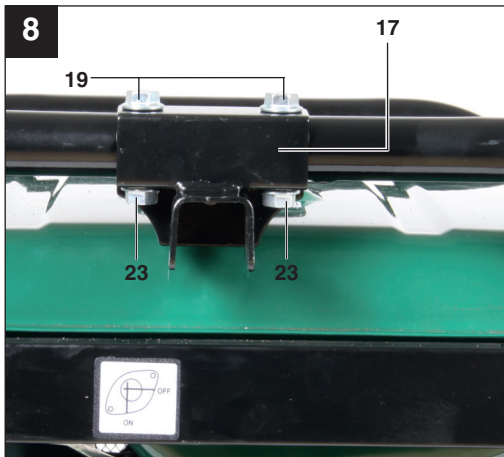
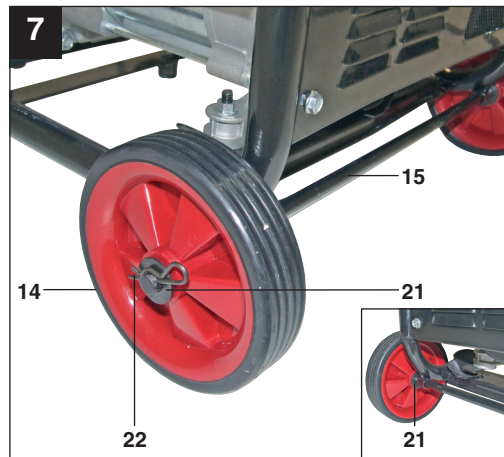
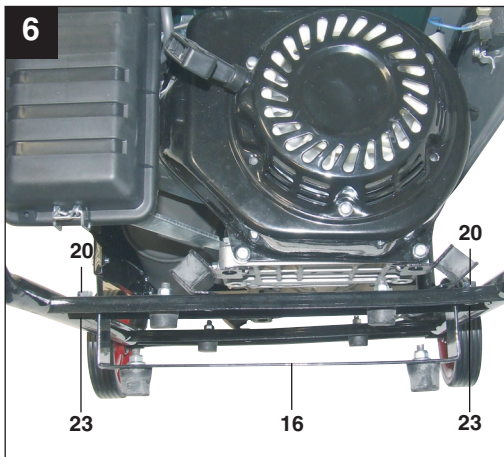
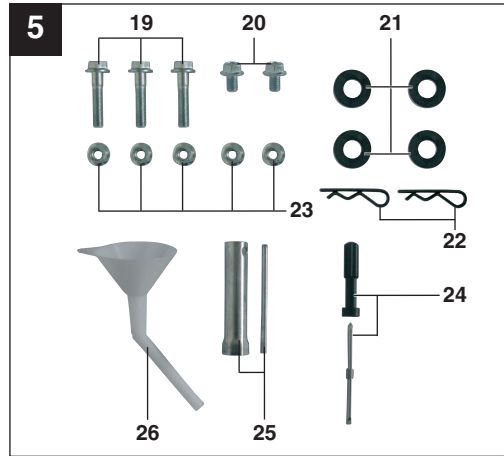
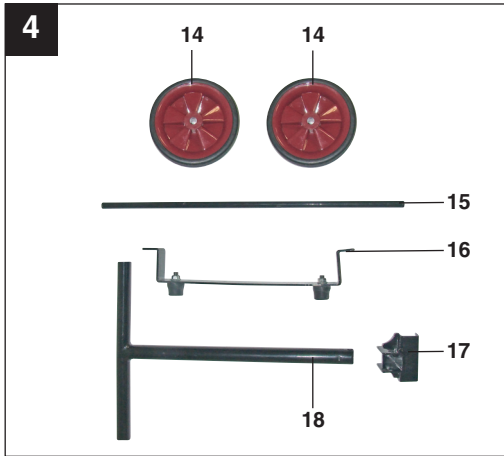
Πριν ξεκινήσετε την ανάγνωση, ανοίξτε τη σελίδα με τις εικόνες και εξοικειωθείτε με όλες τις λειτουργίες της συσκευής.

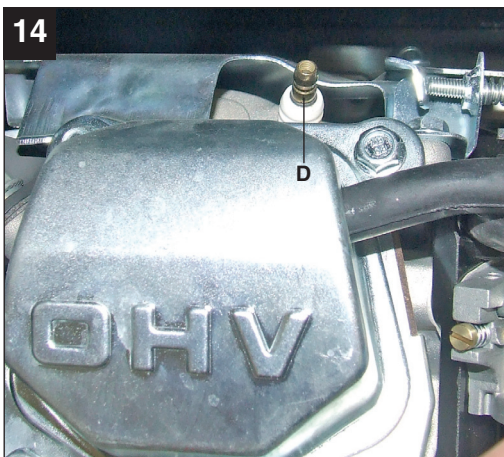
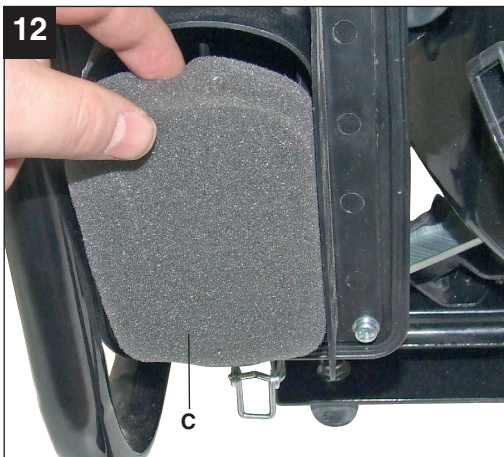
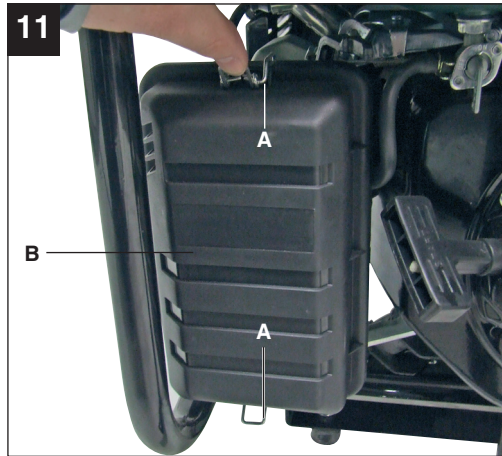
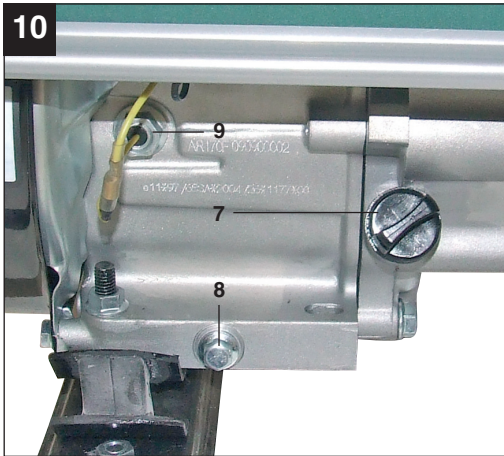
DE AT CH

Klappen Sie vor dem Lesen die Seite mit den Abbildungen aus und machen Sie sich anschließend mit allen Funktionen des Gerätes vertraut.

GB/MT	Operation and Safety Notes	Page	7
HR	Upute za posluživanje i za Vašu sigurnost	Stranica	18
BG	Указания за обслужване и безопасност	Страница	29
GR/CY	Υποδείξεις χειρισμού και ασφαλείας	Σελίδα	41
DE/AT/CH	Bedienungs- und Sicherheitshinweise	Seite	53





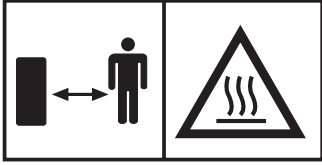


GB/
CY

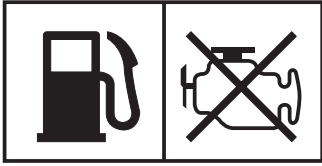
15



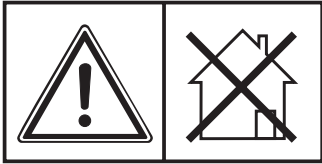
1



2



3



4

Table of contents	Page
1. Introduction	8
2. Safety Information	8-9
3. Layout	9
4. Intended use	9
5. Technical data.....	10
6. Before starting the equipment	10
7. Operation	11
8. Cleaning, maintenance, storage, transport and ordering of spare parts	12-13
9. Disposal and recycling	13
10. Troubleshooting guide	14
11. Maintenance schedule	15
12. Declaration of conformity	16
13. Guarantee certificate	17

The reprinting or reproduction by any other means, in whole or in part, of documentation and papers accompanying products is permitted only with the express consent of ISC GmbH.

Technical changes subject to change

1. Introduction

⚠ Important.

When using the equipment, a few safety precautions must be observed to avoid injuries and damage. Please read the complete operating instructions and safety information with due care. Keep this manual in a safe place so that the information is available at all times. If you give the equipment to any other person, hand over these operating instructions and the safety information as well. We cannot accept any liability for damage or accidents which arise due to a failure to follow these instructions and the safety information.

2. Safety Information

- No changes may be made to the generator.
- Only original parts may be used for maintenance and accessories.
- Important: Danger of poisoning. Emissions, fuels and lubricants are toxic. Do not inhale emissions.
- Children are to be kept away from the generator.
- Important: Risk of burns. Do not touch the exhaust system or drive unit.
- Wear suitable ear protection when in the vicinity of the equipment.
- Important: Petrol and petrol fumes are highly combustible or explosive.
- Never operate the generator in non-ventilated rooms or in a highly inflammable environment. If you intend to operate the generator in rooms with good ventilation, the exhaust gases must be channeled directly outdoors through an exhaust hose. Important: Toxic exhaust gases can escape despite the exhaust hose. Due to the fire hazard, never direct the exhaust hose towards inflammable materials.
- Risk of explosion: Never operate the generator in rooms with combustible materials.
- The speed preset by the manufacturer is not allowed to be changed. The generator or connected equipment may be damaged.
- Secure the generator against shifting and toppling during transport.
- Place the generator at least 1 m away from walls and equipment connected to them.
- Place the generator in a secure, level position. Do not turn, tip or change the generator's position while it is working.
- Always switch off the engine when transporting and refueling the generator.
- Make sure that when you refuel the generator no fuel is spilt on the engine or exhaust pipe.
- Never operate the generator in rain or snow.
- Never touch the generator with wet hands.
- Guard against electric danger.
- When working outdoors, use only extension cables that are approved for outdoor use and which are marked accordingly (H07RN..).
- The overall length of the extension cables used is not allowed to exceed 50 m for 1.5 mm² and 100 m for 2.5 mm².
- No changes may be made to the settings of the motor or generator.
- Repairs and adjustment work may only be carried out by authorized trained personnel.
- Do not refuel or empty the tank near open lights, fire or sparks. Do not smoke!
- Do not touch any mechanically driven or hot parts. Do not remove the safety guards.
- Do not expose the equipment to damp or dust. Permissible ambient temperature -10 to +40°, altitude: 1000 m above sea level, relative humidity: 90 % (non-condensing)
- The generator is driven by a combustion engine, which produces heat in the range of the exhaust (on the opposite side of the socket) and exhaust outlet. You should therefore avoid coming near these surfaces because of risk of skin burns.
- The values quoted in the technical data under sound power level (LWA) and sound pressure level (LpA) are emission values and not necessarily reliable workplace values. As there is a correlation between emission and immission levels, the values cannot be taken to reliably determine the possible need for additional precautions. Factors influencing the current immission level of the user/operator include the

properties of the work area, other sound sources etc., e.g. the number of machines and other neighboring processes, and the time span over which the user/operator is subjected to the noise. Also, the permitted immission level can vary from country to country. Nevertheless, this information makes it possible for the user to be able to make a better assessment of the dangers and risks involved.

Important: Use only normal, unleaded petrol as fuel.

⚠ CAUTION

Read all the safety regulations and instructions. Any errors made in following the safety regulations and instructions may result in an electric shock, fire and/or serious injury.
Keep all safety regulations and instructions in a safe place for future use.

Explanation of the warning signs on the equipment (Fig. 15)

1. **Important.** Read the operating instructions.
2. **Important.** Hot parts. Keep your distance.
3. **Important.** Switch off the engine before refueling.
4. **Important.** Never operate in non-ventilated rooms.

3. Layout (Fig. 1-5)

- 1 Tank indicator
- 2 Tank cover
- 3 2 x 230 V~ socket-outlets
- 4 Earth connection
- 5 Overload cut-out
- 6 Voltmeter
- 7 Oil filler screw
- 8 Oil drainage screw
- 9 Oil shortage cut-out
- 10 On/Off switch
- 11 Choke lever
- 12 Reversing starter
- 13 Petrol cock
- 14 Wheels
- 15 Axle

- 16 Foot
- 17 Push bar holder
- 18 Push bar
- 19 Screws size M8 x 40
- 20 Screws size M8 x 16
- 21 Washers for wheels
- 22 Securing split pins for wheels
- 23 Nuts M8
- 24 Screwdriver
- 25 Spark plug wrench
- 26 Oil filler funnel

4. Intended use

The device is designed for applications operated with a 230 V alternating current source.

Be sure to observe the restrictions in the safety instructions. The generator is intended to provide electric power tools and light sources with electricity. When using the device with household appliances, please check their suitability in accordance with the relevant manufacturer's instructions. In case of doubt, ask an authorized dealer of the respective equipment.

The equipment is to be used only for its prescribed purpose. Any other use is deemed to be a case of misuse. The user/operator and not the manufacturer will be liable for any damage or injuries of any kind caused as a result of this.

Please note that our equipment has not been designed for use in commercial, trade or industrial applications. Our warranty will be voided if the equipment is used in commercial, trade or industrial businesses or for equivalent purposes.

GB/
CY

5. Technical data

Generator:	Synchronous
Protection type:	IP23
Continuous rated power P_{rated} (S1):	2600 W
Maximum power P_{max} (S2 2 min):	2800 W
Rated voltage U_{rated} :	2 x 230V~
Rated current I_{rated} :	11.3 A
Frequency F_{rated} :	50 Hz
Drive engine design:	4-stroke, air-cooled
Displacement:	207.7 cm ³
Fuel:	Petrol
Tank capacity:	15 l
Engine oil:	approx. 0.6 l (15W40)
Consumption at 2/3 load:	approx. 1.36 l/h
Weight:	42.5 kg
L_{pA} sound pressure level:	76 dB(A)
L_{WA} sound power level	96 dB(A)
K uncertainty:	1.4 dB(A)
Power factor $\cos \varphi$:	1
Power class:	G1
Max. temperature:	40°C
Max. altitude (above mean sea level):	1,000 m
Spark plug:	F7 RTC

Operating mode S1 (continuous operation)

The equipment can be continuously operated with the quoted power output.

Operating mode S2 (temporary operation)

The equipment may be temporarily operated with the quoted power output (2 min).

6. Before starting the equipment

6.1 Assembly

The installation of the equipment requires two open-ended wrenches (size 12).

- Assemble the foot (16), wheels (14) and push bar (18) as shown in Figures 6-9.
- Assemble all parts before filling in fuel and oil in order to prevent the fluids from leaking out.
- To mount the wheels, first slide the axle (15) through the mountings on the bottom of the generator and fit the wheels (14) as shown on Figure 7.
- When fitting the push bar (18) check that the angled side (Fig. 9/Item E) is pointing outwards to ensure that the swing up function works properly.

6.2 Electrical safety

- Electric supply cables and connected equipment must be in perfect condition.
- The generator is to be operated only with equipment whose voltage specifications conform to the generator's output voltage.
- Never connect the generator to the power supply (socket-outlet).
- Keep the cable length to the consumer as short as possible.

6.3 Environmental protection

- Dispose of soiled maintenance material and operating materials at the appropriate collection point.
- Recycle packaging material, metal and plastics.

6.4 Connecting to earth

The housing must be connected to earth in order to discharge static electricity. To do this, connect one end of a cable to the earth connection on the generator (Fig. 3/Item 4) and the other end to an external earth (for example an earthing rod).

7. Operation

Important. You must fill up with engine oil (approx. 0.6 l) and fuel before you can start the engine.

- Check the fuel and engine oil levels and top up if necessary.
- Make sure that the generator has sufficient ventilation
- Make sure that the ignition cable is secured to the spark plug.
- Inspect the immediate vicinity of the generator.
- Disconnect any electrical equipment which may already be connected to the generator.

7.1 Starting the engine

Important.

When starting with the reserve starter (12), the motor may recoil suddenly as it starts up, resulting in hand injuries. Wear protective gloves when starting the equipment.

- Open the petrol cock (13) by turning it down
- Set the ON/OFF switch (10) to the "ON" position
- Move the choke lever (11) to position I Ø I.
- Start the engine with the reversing starter (12), by pulling forcefully on the handle. If the engine does not start, pull the handle again.
- Push the choke lever (11) back after the engine has started.

7.2 Connecting consumers to the generator

- Connect the equipment you want to use to the 230 V~sockets (3).

Important: These sockets may be loaded continuously (S1) with 2600W and temporarily (S2) for a maximum of 2 minutes with 2800W.

- The generator is suitable for 230 V~ AC appliances only.
- Do not connect the generator to the household mains system as this may result in damage to the generator itself or to other electrical appliances in your home.

Note: Some electrical appliances (power jigsaws, drills, etc.) may have a higher level of power consumption when used in difficult conditions

7.3 Switching off the engine

- Before you switch off the generator, allow it to run briefly with no consumers so that it can "cool down".
- Set the ON/OFF switch (10) to the "OFF" position.
- Close the petrol cock (13).

7.4 Overload cut-out 2 x 230 V socket-outlets

Important. The generator is fitted with an overload cut-out.

This shuts down the sockets (3). You can restart the sockets (3) by pressing the overload cut-out (5).

Important. If this happens, reduce the electric power you are taking from the generator or remove any defective connected appliances.

Important. Defective overload cut-outs must be replaced only by overload cut-outs of identical design and with the same performance data. If repairs are necessary, please contact your customer service center.

GB/
CY

8. Cleaning, maintenance, storage, transport and ordering of spare parts

Switch off the motor and pull the spark plug boot from the spark plug before doing any cleaning and maintenance work on the equipment.

Important: Switch off the equipment immediately and contact your service station:

- In the event of unusual vibrations or noise
- If the engine appears to be overloaded or misfires

8.1 Cleaning

- Keep all safety devices, air vents (Fig. 2/Item L) and the motor housing free of dirt and dust as far as possible. Wipe the equipment with a clean cloth or blow it down with compressed air at low pressure.
- We recommend that you clean the equipment immediately after you use it.
- Clean the equipment regularly with a damp cloth and some soft soap. Do not use cleaning agents or solvents; these may be aggressive to the plastic parts in the equipment. Ensure that no water can get into the interior of the equipment.

8.2 Air filter

In this connection, please also read the service information.

- Clean the air filter at regular intervals, and replace it if necessary.
- Open both clips (Fig. 11/A) and remove the air filter cover (Fig. 11/B).
- Remove the filter elements (Fig. 12/C)
- Do not use abrasive cleaning agents or petrol to clean the elements.
- Clean the elements by tapping them on a flat surface. In cases of stubborn dirt first clean with soapy water, then rinse with clear water and air-dry.
- Assemble in reverse order.

8.3 Spark plug (Fig. 13-14)

Check the spark plug for dirt and grime after 20 hours of operation and if necessary clean it with a copper wire brush. Thereafter service the spark plug after every 50 hours of operation.

- Pull off the spark plug boot (Fig. 13) by twisting.
- Remove the spark plug (Fig. 14/D) with the supplied spark plug wrench (25).
- Assemble in reverse order.

8.4 Changing the oil and checking the oil level (before using the equipment)

The motor oil is best changed when the motor is at working temperature.

- Only use motor oil (15W40).
- Place the generator on a slightly inclined surface so that the oil drainage screw (8) is at the lower end.
- Open the oil filler screw (7).
- Open the oil drainage screw and let the hot engine oil drain out into a drip tray.
- After the old oil has drained out, close the oil drainage screw and place the generator on a level surface again
- Fill in engine oil up to the top mark on the oil dip stick (approx. 0.6 liters).
- Important: Do not screw the dipstick (oil filler screw) in to check the oil level, simply insert it up to the thread.
- Dispose of the waste oil properly.

8.5 Automatic oil cut-out

The automatic oil cut-out responds if there is too little oil in the engine. In this case it will not be possible to start the engine or it will cut out automatically after a short period of time. It cannot be started again until the engine oil has been topped up (see point 8.4).

8.6 Preparing the equipment for long-term storage

Warning: Do not empty the petrol tank in enclosed areas, near fire or when smoking. Petrol fumes can cause explosions and fire.

- Empty the petrol tank using a petrol suction pump.
- Start the engine and run it until the tank and fuel line are completely empty and the engine stalls.
- Change the oil after each season. To do so, remove the used engine oil when the engine is warm and refill new oil.
- Remove the spark plug (Fig. 14/Item D). Use an oil can to fill the cylinder with approx. 20 ml of oil. Slowly pull back the starter cord, which will bathe the cylinder wall with oil. Screw the spark plug back in.
- Be sure to clean the entire equipment to protect the paint.
- Store the equipment in a well-ventilated place or location.

8.7 Preparing the equipment for transport

- Empty the petrol tank using a petrol suction pump.
- Always let the engine run until it has used up the remainder of petrol in the tank.
- Empty the engine oil from the warm engine.
- Remove the spark plug boot (Fig. 13) from the spark plug.
- Secure the equipment, e.g. with straps, against shifting.

8.8 Ordering replacement parts

Please provide the following information on all orders for spare parts:

- Model/type of the equipment
- Article number of the equipment
- ID number of the equipment

For our latest prices and information please go to www.isc-gmbh.info

9. Disposal and recycling

The equipment is supplied in packaging to prevent it from being damaged in transit. The raw materials in this packaging can be reused or recycled. The equipment and its accessories are made of various types of material, such as metal and plastic. Defective components must be disposed of as special waste. Ask your dealer or your local council.

For EU countries only

Never place any electric power tools in your household refuse.

To comply with European Directive 2002/96/EC concerning old electric and electronic equipment and its implementation in national laws, old electric power tools have to be separated from other waste and disposed of in an environment-friendly fashion, e.g. by taking to a recycling depot.

Recycling alternative to the return request: Instead of returning the equipment to the manufacturer, the owner of the electrical equipment is obliged to ensure that the equipment is properly disposed of if he abandons ownership. The old equipment can be returned to a suitable collection point, that will dispose of the equipment in accordance with the national recycling and waste disposal regulations. This does not apply to any accessories or aids without electrical components supplied with the old equipment .

GB/
CY

10. Troubleshooting guide

Fault	Cause	Remedy
Engine does not start	Automatic oil cut-out has not responded	Check oil level, top up engine oil
	Spark plug fouled	Clean or replace spark plug (electrode spacing 0.6 mm)
	No fuel	Refuel / have the petrol cock checked
Generator has too little or no voltage	Controller or capacitor defective	Contact your dealer
	Overcurrent circuit-breaker has triggered	Actuate the circuit-breaker and reduce the consumers
	Air filter dirty	Clean or replace the filter

11. Maintenance schedule

Please adhere to the following maintenance periods in order to ensure a failure-free operation.

Important. The equipment must be filled with engine oil and fuel before it is started.

	Before each use	After an operating period of 20 hours	After an operating period of 50 hours	After an operating period of 100 hours	After an operating period of 300 hours
Checking the engine oil	X				
Changing the engine oil		For the first time, then every 50 hours	X		
Checking the air filter	X				Change the filter insert if necessary
Cleaning the air filter			X		
Cleaning the petrol filter				X	
Visual inspection of the equipment	X				
Cleaning the spark plug			Distance: 0.6 mm, replace if necessary		
Checking and readjusting the throttle valve on the carburetor					X*
Cleaning the cylinder head					X*
Set the valve play					X*

Important: The positions marked with "x*" should only be carried out by an authorized dealer.

GB/
CY

12. Declaration of conformity

Einhell Germany AG · Wiesenweg 22 · D-94405 Landau/Isar



Konformitätserklärung

- (C)** erklärt folgende Konformität gemäß EU-Richtlinie und Normen für Artikel
- (EN)** explains the following conformity according to EU directives and norms for the following product
- (F)** déclare la conformité suivante selon la directive CE et les normes concernant l'article
- (I)** dichiara la seguente conformità secondo la direttiva UE e le norme per l'articolo
- (NL)** verklaart de volgende overeenstemming conform EU richtlijn en normen voor het product
- (E)** declara la siguiente conformidad a tenor de la directiva y normas de la UE para el artículo
- (P)** declara a seguinte conformidade, de acordo com a directiva CE e normas para o artigo
- (DK)** atterer følgende overensstemmelse i medfør af EU-direktiv samt standarder for artikel
- (S)** förklarar följande överensstämmelse enl. EU-direktiv och standarder för artikeln
- (FIN)** vakuuttaa, että tuote täyttää EU-direktiivin ja standardien vaatimukset
- (EL)** төэндab тооте vastavust EL дирекtiivile ja standarditele
- (CZ)** vydává následující prohlášení o shodě podle směrnice EU a norem pro výrobek
- (SK)** potvrduje sledečo skladnosť s smernico EU in standardi za izdelek
- (HU)** vydáva nasledujúce prehlásenie o zhode podľa smernice EÚ a noriem pre výrobok
- (H)** a cikkekez az EU-irányvonal és Normák szerint a következő konformitást jelenti ki
- (PL)** deklaruje zgodność wymienionego poniżej artykułu z następującymi normami na podstawie dyrektywy WE.
- (BG)** декларира съответното съответствие съгласно Директива на ЕС и норми за артикул
- (LV)** paskaidro šādu atbilstību ES direktīvai un standartiem
- (LT)** apibūdina šį atitikimą EU reikalavimams ir prekės normoms
- (RO)** declară următoarea conformitate conform directivei UE și normelor pentru articolul
- (GR)** δηλώνει την ακόλουθη συμμόρφωση σύμφωνα με την Οδηγία ΕΚ και τα πρότυπα για το προϊόν
- (HR)** potvrđuje sljedeću usklađenost prema smjernicama EU i normama za artikl
Izjava o sukladnosti za ovaj proizvod dostupna je na internet stranici www.lidl.hr.
- (SI)** potrđuje sljedeću usklađenost prema smjernicama EU i normama za artikl
- (RS)** potvrđuje sledeću usklađenost prema smernicama EZ i normama za artikal
- (SL)** sledujočim udostoverjasta, čto sledujoče produkte sootvetstvujot direktivam i normam EC
- (UKR)** проголошує про зазначену нижче відповідність виробу директивам та стандартам ЄС на виріб
- (LT)** Ūrūnū ile ilgili AB direktifleri ve normlari geređince aŗađıda ađıklanan uygunluđu belirtir
- (I)** erklærer følgende samsvar i henhold til EU-direktivet og standarder for artikkel
- (IS)** Lýsir uppfyllingu EU-reglna og annarra stađa vöru

Stromerzeuger PSE 2800 A1 (Parkside)

- 87/404/EC_2009/105/EC
- 2005/32/EC_2009/125/EC
- 2006/95/EC
- 2006/28/EC
- 2004/108/EC
- 2004/22/EC
- 1999/5/EC
- 97/23/EC
- 90/396/EC_2009/142/EC
- 89/686/EC_96/58/EC
- 2006/42/EC
- Annex IV
Notified Body:
Notified Body No.:
Reg. No.:
- 2000/14/EC_2005/88/EC
- Annex V
- Annex VI
Noise: measured $L_{WA} = 94,6$ dB (A); guaranteed $L_{WA} = 96$ dB (A)
P = KW; LØ = cm
Notified Body: TÜV SÜD Industrie Service GmbH, Westendstrasse 199,
80686 München, Deutschland (Notified Body 0036)
- 2004/26/EC
Emission No.: e11*97/68SA*2004/26*1338*00

Standard references: EN 12601; EN 55012; EN 61000-6-1

Landau/Isar, den 01.09.2010

Weichselgartner/General Manager

Hongjie/Product-Management

First CE: 09
Art.-No.: 41.524.15 I.-No.: 11020
Subject to change without notice

Archive-File/Record: 4152410-06-4155050-09
Documents registrar: Robert Mayn
Wiesenweg 22, D-94405 Landau/Isar

13. GUARANTEE CERTIFICATE

Dear Customer,

All of our products undergo strict quality checks to ensure that they reach you in perfect condition. In the unlikely event that your device develops a fault, please contact our service department at the address shown on this guarantee card. Of course, if you would prefer to call us then we are also happy to offer our assistance under the service number printed below. Please note the following terms under which guarantee claims can be made:

1. These guarantee terms cover additional guarantee rights and do not affect your statutory warranty rights. We do not charge you for this guarantee.
2. Our guarantee only covers problems caused by material or manufacturing defects, and it is restricted to the rectification of these defects or replacement of the device. Please note that our devices have not been designed for use in commercial, trade or industrial applications. Consequently, the guarantee is invalidated if the equipment is used in commercial, trade or industrial applications or for other equivalent activities. The following are also excluded from our guarantee: compensation for transport damage, damage caused by failure to comply with the installation/assembly instructions or damage caused by unprofessional installation, failure to comply with the operating instructions (e.g. connection to the wrong mains voltage or current type), misuse or inappropriate use (such as overloading of the device or use of non-approved tools or accessories), failure to comply with the maintenance and safety regulations, ingress of foreign bodies into the device (e.g. sand, stones or dust), effects of force or external influences (e.g. damage caused by the device being dropped) and normal wear resulting from proper operation of the device. This applies in particular to rechargeable batteries for which we nevertheless issue a guarantee period of 12 months.

The guarantee is rendered null and void if any attempt is made to tamper with the device.
3. The guarantee is valid for a period of 3 years starting from the purchase date of the device. Guarantee claims should be submitted before the end of the guarantee period within two weeks of the defect being noticed. No guarantee claims will be accepted after the end of the guarantee period. The original guarantee period remains applicable to the device even if repairs are carried out or parts are replaced. In such cases, the work performed or parts fitted will not result in an extension of the guarantee period, and no new guarantee will become active for the work performed or parts fitted. This also applies when an on-site service is used.
4. In order to assert your guarantee claim, please send your defective device postage-free to the address shown below. Please enclose either the original or a copy of your sales receipt or another dated proof of purchase. Please keep your sales receipt in a safe place, as it is your proof of purchase. It would help us if you could describe the nature of the problem in as much detail as possible. If the defect is covered by our guarantee then your device will either be repaired immediately and returned to you, or we will send you a new device.

Of course, we are also happy offer a chargeable repair service for any defects which are not covered by the scope of this guarantee or for units which are no longer covered. To take advantage of this service, please send the device to our service address.

EINHELL Hellas A. E.
Lasithiou Str. 4
14342 Nea Philadelphia
Tel. 0210 2776871 · Fax 0210 2776871

HR**Sadržaj****Stranica**

1. Uvod	19
2. Sigurnosne napomene	19-20
3. Opis uređaja	20
4. Namjenska uporaba	20
5. Tehnički podaci	21
6. Prije puštanja u rad	21
7. Rukovanje	22
8. Čišćenje, održavanje, skladištenje, transport i narudžba rezervnih dijelova	23-24
9. Zbrinjavanje u otpad i recikliranje	24
10. Plan traženja grešaka	25
11. Plan održavanja	26
12. Izjava o usklađenosti	27
13. Jamstveni list	28

Naknadno tiskanje ili slična umnožavanja dokumentacije i pratećih papira ovih proizvoda, čak i djelomično kopiranje, moguće je samo uz izričito dopuštenje tvrtke ISC GmbH.

Zadržavamo pravo na tehničke izmjene.

1. Uvod

⚠ Pozor!

Prilikom uporabe uređaja morate se pridržavati sigurnosnih propisa kako biste spriječili nastanak ozljeda i šteta. Zato pažljivo pročitajte ove upute za uporabu/sigurnosne napomene. Dobro ih sačuvajte tako da vam informacije u svako doba budu na raspolaganju. Ako biste ovaj uređaj trebali predati drugim osobama, molimo da im prosljedite i ove upute za uporabu/sigurnosne napomene. Ne preuzimamo jamstvo za štete nastale zbog nepridržavanja ovih uputa za uporabu i sigurnosnih napomena.

2. Sigurnosne napomene

- Na generatoru el. struje ne smiju se provoditi nikakve izmjene.
- Za održavanje i pribor smiju se koristiti samo originalni dijelovi.
- Pozor: Opasnost od trovanja. Ispušni plinovi, goriva i maziva su otrovni. Ne udišite ispušne plinove.
- Djecu držite podalje od generatora el. struje.
- Pozor: Opasnost od opekline. Ne dodirujte ispušni sustav i pogonski agregat.
- Ako se nalazite u blizini uređaja, nosite prikladnu zaštitu za sluh.
- Pozor: Benzin i benzinske pare lako su zapaljivi tj. eksplozivni.
- Ne pogonite generator el. struje u neprozračenim prostorijama ili lako zapaljivoj okolini. Ako se generator koristiti u dobro prozračenim prostorijama, ispušni plinove treba izravno odvoditi putem crijeva za ispušne plinove na otvoreno. Pozor: Čak i kod korištenja crijeva mogu se oslobađati otrovni plinovi. Zbog opasnosti od nastanka požara crijevo za ispušne plinove nikad se ne smije usmjeriti na zapaljive materijale.
- Opasnost od eksplozije: Generator el. struje nikad nemojte koristiti u prostorijama s lako zapaljivim tvarima.
- Broj okretaja koji je podesio proizvođač ne smije se mijenjati. Mogli bi se oštetiti generator el. struje ili priključeni uređaji.
- Tijekom transporta generator treba osigurati od klizanja i prevrtanja.
- Generator el. struje postavite najmanje 1m od zidova ili priključenih uređaja.
- Postavite ga na sigurno i ravno mjesto. Zabranjeno je okretanje, prevrtanje ili promjena lokacije tijekom rada uređaja.
- Kod transporta ili punjenja goriva uvijek isključite motor.
- Pripazite na to da kod punjenja ne prolijete gorivo na motor ili ispušnu cijev.
- Generator el. struje ne rabite kad kiši ili sniježi.
- Nikad ne dodirujte generator mokrim rukama.
- Zaštitite se od udara električne struje.
- Na otvorenom koristite samo za to dopuštene i na odgovarajući način označene produžne kabele (H07RN..).
- Ukupna dužina korištenih produžnih kabela ne smije biti veća od 50 m za 1,5 mm² i 100 m za 2,5 mm².
- Ne smijete mijenjati podešene vrijednosti na generatoru i motoru.
- Popravke i podešavanja smije provesti samo ovlašteno, kvalificirano osoblje.
- Tank nemojte puniti odnosno prazniti u blizini otvorenog svjetla, vatre ili iskrenja. Nemojte pušiti!
- Ne dodirujte mehanički pokretne ili vruće dijelove. Nemojte ukloniti zaštitne poklopce.
- Uređaji se ne smiju izlagati vlazi ni prašini. Dopuštena temperatura okoline -10 do +40°, visina: 1000 m iznad nadmorske visine, rel. vlaga zraka: 90 % (nema kondenziranja).
- Generator pogoni motor s unutrašnjim sagorijevanjem koji u području ispušnog sustava (na suprotnoj strani od utičnice) i izlaza iz ispušne cijevi stvara visoku temp. Izbjegavajte blizinu ovih površina zbog opasnosti od opekline na koži.
- Tehnički podaci o intenzitetu buke (LWA) i zvučnog tlaka (LpA) predstavljaju vrijednost emisije i nisu obavezno sigurne radne vrijednosti. Budući da postoji ovisnost između vrijednosti emisije i imisije, ne mogu se pouzdano poduzeti eventualno potrebne mjere opreza na temelju navedenih

vrijednosti. Faktori koji utječu na aktualnu razinu imisije radne snage obuhvaćaju svojstva radnog mjesta, ostalih izvora buke, itd, kao npr. broj strojeva i ostalih susjednih procesa i vremenskih intervala kojima je izložen korisnik uređaja. Isto tako dopuštena razina imisije ovisi o zemlji korištenja. Ova informacija ipak nudi korisniku stroja mogućnost bolje procjene rizika i opasnosti.

Pozor: Kao gorivo koristite isključivo normalni, bezolovni benzin.

⚠ UPOZORENJE

Pročitajte sve sigurnosne napomene i upute. Posljedica nepridržavanja sigurnosnih napomena i uputa može biti električni udar, požar i/ili teške ozljede.

Sačuvajte sve sigurnosne napomene i upute za ubuduće.

Tumačenje znakova s napomenama na uređaju (slika 15)

1. **Pozor!** Pročitajte upute za uporabu.
2. **Pozor!** Vrući dijelovi. Održavajte razmak.
3. **Pozor!** Dok puniti tank gorivom, isključite motor.
4. **Pozor!** Ne pogonite uređaj u neprozračanim prostorijama.

3. Opis uređaja (sl. 1- 5)

- 1 Pokazivač goriva na tanku za benzin
- 2 Poklopac tanka
- 3 2 x 230 V~ utičnice
- 4 Uzemljenje
- 5 Zaštita od preopterećenja
- 6 Voltmetar
- 7 Vijak na otvoru za punjenje ulja
- 8 Vijak na otvoru za ispuštanje ulja
- 9 Osigurač od pomanjkanja ulja
- 10 Sklopka za uključivanje/isključivanje
- 11 Poluga čoka
- 12 Naprava za reverzivno pokretanje
- 13 Pipac za benzin
- 14 Kotači
- 15 Osovina kotača

- 16 Nogar
- 17 Držać drške za guranje
- 18 Drška za guranje
- 19 Vijci M8x40
- 20 Vijci M8x16
- 21 Podložne pločice za kotače
- 22 Sigurnosna rascjepka za kotače
- 23 Matice M8
- 24 Odvijač
- 25 Ključ za svjećicu
- 26 Lijevak za punjenje ulja

4. Namjenska uporaba

Uređaj je konstruiran za napon od 230 V izvora izmjenične struje.

Obavezno obratite pozornost na ograničenja u sigurnosnim napomenama. Svrha generatora je pogon elektroalata i opskrba izvora svjetlosti energijom. Kod kućanskih aparata molimo da provjerite prikladnost prema dotičnim podacima proizvođača. U slučaju sumnje posavjetujte se u ovlaštenoj specijaliziranoj trgovini.

Stroj se smije koristiti samo namjenski. Svaka drugačija uporaba nije namjenska. Za štete ili ozljeđivanja svih vrsta koji bi nastali zbog takve uporabe odgovoran je korisnik/rukovatelj, a nikako proizvođač.

Molimo da obratite pažnju na to da naši uređaji nisu prikladni za uporabu u komercijalne, obrtničke ili industrijske svrhe. Ne preuzimamo jamstvo ako se uređaj koristi u komercijalne i industrijske svrhe kao i u sličnim djelatnostima.

5. Tehnički podaci

Generator:	sinkroni
Vrsta zaštite:	IP23
Trajna snaga P_{naz} (S1):	2600 W
Maksimalna snaga P_{maks} (S2 2 min):	2800 W
Nazivni napon U_{naz} :	2 x 230 V~
Nazivna struja I_{naz} :	11,3 A
Frekvencija F_{naz} :	50 Hz
Izvedba pogonskog motora:	4-taktni hlađen zrakom
Zapremnina:	207,7 cm ³
Gorivo:	benzin
Sadržaj tanka:	15 l
Motorno ulje:	oko 0,6 l (15W40)
Potrošnja kod 2/3 opterećenja:	oko 1,36 l/h
Težina:	42,5 kg
Razina zvučnog tlaka L_{pA} :	76 dB (A)
Intenzitet buke L_{WA} :	96 dB (A)
Nesigurnost K:	1,4 dB (A)
Faktor snage $\cos \varphi$:	1
Klasa snage:	G1
Temperatura maks.:	40 °C
Visina postavljanja (i.r.m.):	1000 m
Svjecica:	F7 RTC

Vrsta pogona S1 (trajni pogon)

Stroj može s navedenom snagom raditi stalno.

Vrsta pogona S2 (kratkotrajni pogon)

Stroj smije s navedenom snagom raditi kratkotrajno (2 min).

6. Prije puštanja u rad

6.1 Montaža

Za montažu uređaja potrebna su dva viljuškasta ključa (veličina ključa 12)

- Montirajte nogar (16), kotače (14) i dršku za guranje (18) kao što je prikazano na slikama 6-9.
- Prije nego ćete napuniti gorivo i ulje, montirajte sve dijelove kako bi se spriječilo istjecanje tekućine.
- Za montažu kotača prvo gurnite osovinu kotača (15) kroz držače na donju stranu generatora i montirajte kotače (14) kao što je prikazano na slici 7.
- Prilikom montaže drške za guranje (18) pazite da kosa strana (sl. 9/poz. E) bude usmjerena prema van kako bi se zajamčila ispravna funkcija preklapanja.

6.2 Električna sigurnost:

- Električni dovodni kabeli i priključeni uređaji moraju biti u besprijekornom stanju.
- Smiju se priključivati samo uređaji čiji podaci o naponu odgovaraju podacima navedenima na generatoru struje.
- Generator struje nikad nemojte spajati na strujnu mrežu (utičnicu).
- Dužine kabela prema potrošaču trebaju biti što kraće.

6.3 Zaštita okoliša

- Zaprljani materijal za održavanje i pogonske materijale otpremite na za to predviđeno sabiralište.
- Ambalažu, metal i plastiku otpremite na mjesto za reciklažu.

6.4 Uzemljenje

Za odvođenje statičkih naboja potrebno je uzemljenje uređaja. U tu svrhu na jednoj strani spojite kabel na priključak za uzemljenje generatora (sl. 3/poz. 4), a na drugoj strani ga spojite s vanjskom masom (npr. štapasti uzemljivač).

7. Rukovanje

Pozor! Kod prvog puštanja u rad morate napuniti motorno ulje (oko 0,6 l) i gorivo.

- Provjerite stanje goriva i motornog ulja, eventualno dopunite.
- Osigurajte dostatno prozračivanje uređaja.
- Provjerite je li kabel za paljenje pričvršćen na svjećici.
- Procijenite neposrednu okolinu generatora struje.
- Odspojite eventualno priključen električni uređaj s generatora.

7.1 Pokretanje motora

Pozor!

Kod pokretanja reverzivnim pokretačem (12) može doći do ozljeđivanja ruke zbog iznenadnog povratnog udara kojeg uzrokuje motor koji se pokreće. Zbog toga prilikom pokretanja nosite zaštitne rukavice.

- Otvorite pipac za benzin (13); za to okrenite pipac prema dolje.
- Sklopku za uključivanje/isključivanje (10) stavite u položaj "ON".
- Polugu čoka (11) postavite u položaj I Ø I.
- Pokrenite motor reverzivnim pokretačem (12); za to snažno povucite za ručku. Ako motor ne bi upalio, povucite ručku još jednom.
- Nakon pokretanja motora ponovno vratite polugu čoka (11).

7.2 Opterećivanje generatora struje

Uređaje koje treba pogoniti priključite na utičnice 230 V~ (3).

Pozor: Ove utičnice smijete trajno opteretiti (S1) s 2600 W i kratkotrajno (S2) na maks. 2 minute s 2800 W.

- Generator je namijenjen za uređaje koji rade s izmjeničnim naponom od 230 V~.
- Ne priključujte generator na mrežu za kućanstvo jer to može uzrokovati oštećenje generatora ili ostalih elektryuređaja u kući.

Napomena: Neki elektryuređaji (motorne ubodne pile, bušilice itd.) mogu imati veću potrošnju struje, ako se koriste u otežanim uvjetima.

7.3 Isključivanje motora

- Prije nego ćete isključiti generator pustite da nakratko radi bez opterećenja, tako da se agregat može "ohladiti".
- Sklopku za uključivanje/isključivanje (10) stavite u položaj "OFF".
- Zatvorite pipac za benzin (13).

7.4 Zaštita od preopterećenja, utičnice 2x 230 V

Pozor! Generator struje opremljen je zaštitom od preopterećenja.

Ona isključuje utičnice (3). Pritiskom na tipku zaštite od preopterećenja (5) možete staviti utičnice (3) u pogon.

Pozor! Ako bi došlo do toga, smanjite elektryičnu snagu koju ćete uzeti od generatora ili uklonite neispravne priključene uređaje.

Pozor! Neispravna sklopka za zaštitu od preopterećenja smije se zamijeniti samo istovrsnom s jednakim parametrima. U tom slučaju obratite se za pomoć našoj servisnoj službi.

8. Čišćenje, održavanje, skladištenje, transport i narudžba rezervnih dijelova

Prije svih radova čišćenja i održavanja ugasiite motor i izvucite utikač svjećeice.

Pozor: Odmah isključite uređaj i obratite se servisnoj službi:

- U slučaju neobičnih vibracija ili buke.
- Kad izgleda da je motor preopterećen ili radi nepravilno.

8.1 Čišćenje

- Zaštitne naprave, prolazi za zrak (sl. 2/poz. L) i kućište motora moraju uvijek biti očišćeni od prašine i prljavštine. Istrljajte uređaj čistom krpom ili ga ispušite komprimiranim zrakom pod niskim pritiskom.
- Preporučujemo da očistite uređaj odmah nakon svake uporabe.
- Redovito čistite uređaj vlažnom krpom i s malo kalijevog sapuna. Ne koristite otapala ni sredstva za čišćenje; ona bi mogla oštetiti plastične dijelove uređaja. Pripazite na to da u unutrašnjost uređaja ne dospije voda.

8.2 Filtar za zrak

Obratite pažnju na servisne informacije.

- Redovito čistite filtari za zrak, po potrebi ga zamijenite
- Otpustite obje stezaljke (sl. 11/A) i uklonite poklopac filtra za zrak (sl. 11/B)
- Izvadite filtarske elemente (sl. 12/C).
- Za čišćenje elemenata ne smijete koristiti agresivna otapala ni benzin.
- Elemente čistite lupkanjem iznad ravne površine. U slučaju jače zaprljanosti operite ga sapunicom, na kraju isperite čistom vodom i ostavite na zraku da se osuši.
- Montaža slijedi obrnutim redoslijedom.

8.3 Svjećica (sl. 13-14)

Prvi put provjerite zaprljanost svjećice nakon 20 sati rada i po potrebi je očistite pomoću četke od bakrene žice. Nakon toga održavajte svjećicu svakih 50 radnih sati.

- Okretom izvucite utikač svjećice (sl. 13).
- Priloženim ključem (25) odvrnite svjećicu (sl. 14/D).
- Montaža slijedi obrnutim redoslijedom.

8.4 Zamjena ulja, kontrola količine ulja (prije svake uporabe)

Zamjenu ulja obavite dok je motor topao.

- Koristite samo motorno ulje (15W40)
- Agregat za proizvodnju struje položite na prikladnu podlogu malo ukoso u smjeru vijka za ispuštanje ulja (8).
- Odvrnite vijak na otvoru za punjenje ulja (7).
- Odvrnite vijak na otvoru za ispuštanje ulja i ispuštite toplo motorno ulje u prikladnu posudu.
- Kad isteče staro ulje, uvrnite vijak za ispuštanje ulja i opet postavite generator struje vodoravno.
- Napunite motorno ulje do gornje oznake na mjernoj šipci (oko 0,6 l).
- Pozor: Za provjeru razine ulja nemojte do kraja uvrtni šipku (vijak na otvoru za punjenje), već je utaknite samo do navoja.
- Staro ulje morate zbrinuti u skladu s važećim propisima.

8.5 Automatika za isključivanje u slučaju premale količine ulja

Automatika za isključivanje reagira ako ima premalo ulja. U tom slučaju nećete moći pokrenuti motor ili će se on automatski ugasiiti nakon kraćeg vremena. Pokretanje motora moguće je tek kad napunite motorno ulje (vidi točku 8.4).

HR

8.6 Priprema za skladištenje

Upozorenje: Ne ispušćavajte benzin u zatvorenoj prostoriji, u blizini vatre ili ako pušite. Isparavanja mogu izazvati eksploziju ili vatru.

- Ispraznite tank za benzin pomoću usisne pumpe.
- Pokrenite motor i pustite ga da radi tako dugo dok se ne potroši preostali benzin.
- Nakon svake sezone zamijenite ulje. U tu svrhu uklonite staro ulje iz toplog motora i napunite novu motorno ulje.
- Uklonite svjećicu (sl. 14/poz. D). Natočite pomoću posude oko 20 ml ulja u cilindar. Polako povlačite sajlu pokretača tako da ulje zašiti cilindar iznutra. Ponovno uvrnite svjećicu.
- Očistite cijeli uređaj kako biste zaštitili lak.
- Čuvajte uređaj na dobro prozračenom mjestu.

8.7 Priprema za transport

- Ispraznite tank za benzin pomoću usisne pumpe.
- Pustite da motor radi tako dugo dok se ne potroši sav preostali benzin.
- Ispraznite motorno ulje iz toplog motora.
- Uklonite utikač (sl. 13) sa svjećice.
- Osigurajte uređaj od klizanja npr. pomoću steznih remena.

8.8 Naručivanje rezervnih dijelova

Kod naručivanja rezervnih dijelova trebali biste navesti sljedeće podatke:

- Tip uređaja
- Kataloški broj uređaja
- Identifikacijski broj uređaja

Aktualne cijene nalaze se na web stranici www.isc-gmbh.info

9. Zbrinjavanje u otpad i recikliranje

Uređaj je zapakiran na način koji sprječava oštećenja tijekom transporta. Ova pakovina je sirovina i može se ponovno upotrijebiti ili predati na reciklažu. Uređaj i njegov pribor sastavljeni su od raznih materijala, kao npr. metal i plastika. Neispravne sklopove odlažite u specijalni otpad. Raspitajte se u specijaliziranoj trgovini ili općinskoj upravi!



Samo za zemlje članice EU

Elektroalate nemojte bacati u kućno smeće!

Prema europskoj odredbi 2002/96/EG o starim električnim i elektroničkim uređajima i njenim prijenosom u nacionalno pravo, istrošeni električni alati trebaju se posebno sakupljati i na ekološki način zbrinuti na mjestu za reciklažu.

Alternativa s recikliranjem nasuprot zahtjevu za povrat:

Vlasnik električnog uređaja alternativno je obavezan da umjesto povrata uređaja u slučaju odricanja vlasništva sudjeluje u stručnom zbrinjavanju uređaja. Stari uređaj može se u tu svrhu predati i mjestu za preuzimanje takvih uređaja koje provodi uklanjanje u smislu državnih zakona o otpadu i recikliranju. Zakonom nisu obuhvaćeni dijelovi pribora ugrađeni u stare uređaje i pomoćni materijali bez električnih elemenata.

10. Plan traženja grešaka

Smetnja	Uzrok	Mjera
Motor neće upaliti.	Reagirala je automatika za premalu količinu ulja.	Provjerite količinu ulja, dopunite ulje.
	Čađava svjećica	Očistite odnosno zamijenite svjećicu. Razmak elektroda 0,6 mm.
	Nema goriva	Dopunite gorivo/provjerite pipac za benzin.
Generator daje premali napon ili ga uopće ne daje.	Neispravn regulator ili kondenzator	Potražite pomoć specijalizirane trgovine.
	Reagirala je sklopka za zaštitu od preopterećenja.	Pritisnite sklopku i smanjite broj potrošača.
	Zaprljan filter za zrak	Očistite ili zamijenite filter.

11. Plan održavanja

Da bi se osigurao nesmetan rad uređaja, obavezno se treba pridržavati sljedećih intervala održavanja. **Pozor! Kod prvog puštanja u rad mora se napuniti motorno ulje i gorivo.**

	Prije svake uporabe	Nakon 20 sati rada	Nakon 50 sati rada	Nakon 100 sati rada	Nakon 300 sati rada
Kontrola motornog ulja	X				
Zamjena motornog ulja		Prvi put, zatim svakih 50 radnih sati	X		
Kontrola filtra za zrak	X				Event. zamjena filtarskog uloška
Čišćenje filtra za zrak			X		
Čišćenje filtra za benzin				X	
Vizualna kontrola uređaja	X				
Čišćenje svjeće			Razmak: 0,6 mm, event. zamijeniti		
Kontrola i ponovno podešavanje prigušne zaklopke na rasplinjaču					X*
Čišćenje glave cilindra					X*
Podešavanje zazora ventila					X*

Pozor: Točke označene s "x*" smije provoditi samo ovlaštena stručna radionica.

12. Izjava o usklađenosti

Einhell Germany AG · Wiesenweg 22 · D-94405 Landau/Isar



Konformitätserklärung

- (C)** erklärt folgende Konformität gemäß EU-Richtlinie und Normen für Artikel
- (EN)** explains the following conformity according to EU directives and norms for the following product
- (F)** déclare la conformité suivante selon la directive CE et les normes concernant l'article
- (I)** dichiara la seguente conformità secondo la direttiva UE e le norme per l'articolo
- (NL)** verklaart de volgende overeenstemming conform EU richtlijn en normen voor het product
- (E)** declara la siguiente conformidad a tenor de la directiva y normas de la UE para el artículo
- (P)** declara a seguinte conformidade, de acordo com a directiva CE e normas para o artigo
- (DK)** atterer følgende overensstemmelse i medfør af EU-direktiv samt standarder for artikel
- (S)** förklarar följande överensstämmelse enl. EU-direktiv och standarder för artikeln
- (FIN)** vakuuttaa, että tuote täyttää EU-direktiivin ja standardien vaatimukset
- (EL)** төэндэб тооге vastavust EL direktiivile ja standarditele
- (CZ)** vydává následující prohlášení o shodě podle směrnice EU a norem pro výrobek
- (SK)** potvrdzuje sledečo skladnosť s smernico EU in standardi za izdelek
- (HU)** yádává nasledujúce prehlásenie o zhode podľa smernice EÚ a noriem pre výrobok
- (H)** a cikkekez az EU-irányvonal és Normák szerint a következő konformitást jelenti ki
- (PL)** deklaruje zgodność wymienionego poniżej artykułu z następującymi normami na podstawie dyrektywy WE.
- (BG)** декларира съответното съответствие съгласно Директива на ЕС и норми за артикул
- (HR)** paskaidro šadu atbilstību ES direktīvai un standartiem
- (IT)** apibūdina šį atitikimą EU reikalavimams ir prekės normoms
- (RO)** declară următoarea conformitate conform directivei UE și normelor pentru articolul
- (GR)** δηλώνει την ακόλουθη συμμόρφωση σύμφωνα με την Οδηγία ΕΚ και τα πρότυπα για το προϊόν
- (SL)** potrđuje sljedeću usklađenost prema smjernicama EU i normama za artikl
Izjava o sukladnosti za ovaj proizvod dostupna je na internet stranici www.lidl.hr.
- (MT)** potrđuje sljedeću usklađenost prema smjernicama EU i normama za artikl
- (LV)** potvrdzuje sledeću usklađenost prema smernicama EZ i normama za artikalu
- (LT)** sledojuoim udostoverjatas, o sleduoiose produoty sootvetstvuoit dierentivam i normam ES
- (UK)** проголошує про зазначену нижче відповідність виробу директивам та стандартам ЄС на виріб
- (HU)** Űrűnű ile ilgili AB direktífleri ve normları geređince ařađıda ađıklanan uygunluđu belirtir
- (C)** erklærer følgende samsvar i henhold til EU-direktivet og standarder for artikkel
- (IS)** Lýsir uppfyllingu EU-reglna og annarra stađa vöru

Stromerzeuger PSE 2800 A1 (Parkside)

- 87/404/EC_2009/105/EC
- 2005/32/EC_2009/125/EC
- 2006/95/EC
- 2006/28/EC
- 2004/108/EC
- 2004/22/EC
- 1999/5/EC
- 97/23/EC
- 90/396/EC_2009/142/EC
- 89/686/EC_96/58/EC
- 2006/42/EC
- Annex IV
Notified Body:
Notified Body No.:
Reg. No.:
- 2000/14/EC_2005/88/EC
- Annex V
- Annex VI
Noise: measured $L_{WA} = 94,6$ dB (A); guaranteed $L_{WA} = 96$ dB (A)
P = KW; LØ = cm
Notified Body: TÜV SÜD Industrie Service GmbH, Westendstrasse 199,
80686 München, Deutschland (Notified Body 0036)
- 2004/26/EC
Emission No.: e11*97/68SA*2004/26*1338*00

Standard references: EN 12601; EN 55012; EN 61000-6-1

Landau/Isar, den 01.09.2010

Weichselgartner/General Manager

Hongjie/Product-Management

First CE: 09
Art.-No.: 41.524.15 I.-No.: 11020
Subject to change without notice

Archive-File/Record: 4152410-06-4155050-09
Documents registrar: Robert Mayn
Wiesenweg 22, D-94405 Landau/Isar

13. JAMSTVENI LIST

Poštovani kupče,

naši proizvodi podliježu strogoj kontroli kvalitete. Žao nam je ako bi ipak došlo do toga da uređaj ne funkcionira besprijekorno i zamolili bismo Vas da se u tom slučaju obratite na adresu naše servisne službe navedenu ispod ovog jamstva. Također smo Vam na raspolaganju na dolje navedenom telefonskom broju servisne službe. Za traženje jamstvenog zahtjeva vrijedi sljedeće:

1. Ovi jamstveni uvjeti reguliraju dodatne jamstvene usluge. Ovo jamstvo ne zadire u Vaše zakonsko pravo zahtjeva za ostvarenje jamstvenih usluga. Realizacija jamstvenih usluga je besplatna.
2. Jamstvena usluga obuhvaća isključivo nedostatke nastale zbog greške na materijalu ili tijekom proizvodnje i ograničen je na uklanjanje tih nedostataka odnosno zamjenu uređaja. Molimo da obratite pažnju na to da naši uređaji nisu konstruirani za korištenje u komercijalne svrhe niti u obrtu i industriji. Prema tome, ugovor o jamstvu ne može se ostvariti ako se uređaj koristi u obrtničkim ili industrijskim pogonima kao i u sličnim djelatnostima. Nadalje su iz jamstva isključene usluge zamjene proizvoda u slučaju transportnih oštećenja, šteta zbog nepridržavanja uputa za montažu ili zbog nestručne instalacije, nepridržavanja uputa za uporabu (kao npr. zbog priključka na pogrešni mrežni napon ili vrstu struje), zbog zlorabe ili nestručnih primjena (kao npr. preopterećenje uređaja ili korištenje nedopuštenih alata ili pribora), u slučaju nepridržavanja uputa za održavanje i sigurnosnih odredbi, zbog prodiranja stranih tijela u uređaj (npr. pijeska, kamenja ili prašine), nasilne primjene ili vanjskih utjecaja (kao npr. oštećenja zbog pada) kao i zbog uobičajenog trošenja tijekom korištenja. To naročito vrijedi za baterije za koje ipak dajemo jamstvo od 12 mjeseci.

Zahtjev za jamstvo prestaje biti valjan ako su na uređaju već izvršeni neki zahvati.

3. Jamstveni rok iznosi 3 godine a započinje s datumom kupnje uređaja. Jamstveni zahtjevi ostvaruju se prije isteka jamstvenog roka unutar dvije godine nakon što ste uočili kvar. Ostvarenje jamstvenog zahtjeva nakon isteka jamstvenog roka je isključeno. Popravkom ili zamjenom uređaja ne produljuje se jamstveni rok niti se tom uslugom ostvaruju novi jamstveni rok za uređaj ili ostale ugrađene rezervne dijelove. To također vrijedi i kod korištenja servisa na licu mjesta.
4. Da biste ostvarili svoj jamstveni zahtjev, molimo Vas da nam pošaljete neispravan uređaj bez plaćanja poštarine na dolje navedenu adresu. Priložite originalni račun za kupnju uređaja ili neki drugi dokaz o kupnji s datumom. Molimo Vas da zbog tog razloga dobro sačuvate račun kao dokaz! Što točnije opišite razlog reklamacije. Ako naša jamstvena usluga obuhvaća kvar nastao na Vašem uređaju, odmah ćemo Vam vratiti popravljenu ili novi uređaj.

Razumljivo je da ćemo za naknadu troškova ukloniti i kvarove koje jamstvena usluga ne obuhvaća. U tom slučaju pošaljite uređaj na adresu našeg servisa.

Einhell Croatia d.o.o.

Velika Ves 2

HR-49224 Lepajci

Tel. 049 342 444 · Fax 049 342 392

Съдържание	страница
1. Увод	30
2. Указания за безопасна работа	30-31
3. Описание на уреда	31-32
4. Целесъобразна употреба	32
5. Технически данни	32
6. Преди пускане в експлоатация	33
7. Обслужване	33-34
8. Почистване, поддръжка, складиране, транспортиране и поръчване на резервни части	34-36
9. Извозване и преработване	36
10. Установяване на повреди	37
11. График за поддръжка	38
12. Декларация за съответствие	39
13. Гаранционна карта	40

Препечатването или друг вид
размножаване на документация и
съпроводителни документи на продуктите,
също така на части е допустимо само с
изричното съгласие на ISC GmbH.

Запазено е правото за технически промени

1. Увод

⚠ Внимание!

При използване на уреди трябва да се спазват някои мерки за безопасност, за да се предотвратят наранявания и възникване на повреди. Прочетете внимателно ръководството за експлоатация/указанията за безопасна работа. Съхранявайте ги добре, за да разполагате с информацията при необходимост. Ако уредът се използва от други лица, трябва да им предадете ръководството за експлоатация/указанията за безопасна работа. Ние не носим отговорност за злополуки или повреди, възникнали поради несъблюдаване на ръководството и на указанията за безопасна работа.

2. Указания за безопасна работа

- Не се допуска извършването на промени по електрогенератора.
- За поддръжката и принадлежностите трябва да се използват само оригинални части.
- Внимание: Опасност от отравяне. Отработените газове, горивата и смазочните вещества са отровни. Отработените газове не трябва да се вдишват.
- Не допускайте деца до електрогенератора.
- Внимание: Опасност от изгаряне. Не докосвайте инсталацията за отработени газове и задвижващия агрегат.
- Използвайте подходящи предпазни средства за слуха, когато сте близо до уреда.
- Внимание: Бензинът и бензиновите изпарения са лесно възпламеними и експлозивни.
- Не използвайте електрогенератора в помещения без вентилация или в лесно възпламенима среда. При използване на електрогенератора в добре проветрени

помещения отработените газове трябва да се отвеждат директно навън през маркуч. Внимание: Дори и при използване на отводен маркуч могат да се отделят отровни газове. Поради опасност от пожар отводният маркуч никога не трябва да се насочва към горими вещества.

- Опасност от експлозия: Никога не използвайте електрогенератора в помещения с лесно запалими вещества.
- Не променяйте настроената от производителя честота на въртене. Електрогенераторът или включените към него уреди могат да се повредят.
- При транспортиране електрогенераторът трябва да се обезопаси срещу преместване и преобръщане.
- Поставете електрогенератора на разстояние не по-малко от 1 м от стените или от включените към него уреди.
- Разположете електрогенератора на безопасно и равно място. Забранено е да завъртате и обръщате електрогенератора, докато работи, както и да променяте разположението му.
- Винаги изключвайте двигателя при транспортиране и при зареждане с гориво.
- Внимавайте при зареждането да не се разлее гориво върху двигателя или върху ауспуха.
- Никога не използвайте електрогенератора при дъждовно време или снеговалеж.
- Никога не хващайте електрогенератора с мокри ръце.
- Пазете се от злополуки с електрически ток.
- На открито използвайте само разрешените за целта удължителни кабели със съответното обозначение (H07RN).
- При използване на удължителни кабели общата им дължина не трябва да надвишава 50 м при 1,5 мм² и 100 м при 2,5 мм².

- Не променяйте настройките на двигателя и на генератора.
- Ремонтните работи и регулирането трябва да се извършват само от оторизиран персонал.
- Не зареждайте резервоара с гориво и не го изпразвайте близо до открит източник на светлина, огън или искри. Не пушете!
- Не докосвайте части с механично задвижване или горещи части. Не отстранявайте защитните покрития.
- Не излагайте уредите на влага или на прах. Допустима околна температура: от -10 до +40 °C, надморска височина: 1000 м над морското равнище, относителна влажност на въздуха: 90% (некондензираща).
- Електрогенераторът се задвижва от двигател с вътрешно горене, който предизвиква нагорещаване в областта на ауспуха (на противоположната страната на контакта) и на ауспухната тръба. Избягвайте близостта до тези повърхности поради опасност от изгаряне на кожата.
- Стойностите, посочени в техническите данни за ниво на звукова мощност (LWA) и ниво на звуково налягане (LpA), отразяват емисионното ниво и не представляват задължително безопасно работно ниво. Тъй като има връзка между емисионното и имисионното ниво, тази зависимост не може категорично да се използва за определяне на евентуалните задължителни и допълнителни предпазни мерки. Към факторите, които оказват влияние върху актуалното имисионно ниво в работната среда, се отнасят характеристиките на работното помещение, други източници на шум и др., например броят на машините и други процеси наблизо, както и времето, през което операторът е изложен на шума. Допустимото ниво на шума варира в зависимост от страната. Въпреки това тази информация дава възможност на оператора на машината да оцени по-добре рисковете и опасностите.

Внимание: Използвайте само обикновен безоловен бензин.

⚠ ВНИМАНИЕ

Прочетете всички указания за безопасна работа и инструкциите.

Неспазването на указанията за безопасна работа и на инструкциите може да предизвика токов удар, пожар и/или тежки наранявания.

Съхранявайте всички указания за безопасна работа и инструкциите.

Разяснение на указателните табелки на уреда (фигура 15)

1. **Внимание!** Прочетете ръководството за експлоатация.
2. **Внимание!** Горещи части. Не се доближавайте в опасна близост.
3. **Внимание!** Изключвайте двигателя, докато зареждате с гориво.
4. **Внимание!** Не използвайте уреда в помещения без вентилация.

3. Описание на уреда (фигура 1 - 5)

- 1 Горивопоказател
- 2 Капак на резервоара
- 3 2 x 230 V~ контакти
- 4 Заземяваща клемма
- 5 Защита от претоварване
- 6 Волтметър
- 7 Резбова пробка за наливане на масло
- 8 Резбова пробка за източване на маслото
- 9 Защита срещу недостиг на масло
- 10 Бутон за включване/изключване
- 11 Лост на карбуратора
- 12 Реверсивен стартер
- 13 Бензинов кран
- 14 Колела
- 15 Ос на колелата
- 16 Стойка
- 17 Държач на лоста за бутане
- 18 Лост за бутане
- 19 Винтове M8x40
- 20 Винтове M8x16
- 21 Подложни шайби за колелата

BG

- 22 Предпазен шплинт за колелата
- 23 Гайки M8
- 24 Отвертка
- 25 Ключ за запалителната свещ
- 26 Фуния за наливане на масло

4. Целесъобразна употреба

Уредът се използва в случаите, когато се предвижда работа при 230 V променливо напрежение. Съблюдавайте задължително ограниченията, посочени в указанията за безопасна работа. Електрогенераторът е предвиден за задвижване на електрически инструменти и за електрозахранване на източници на осветление. При използване на домакински уреди проверете пригодността им съгласно посочените от производителя параметри. При съмнения се консултирайте с оторизиран търговец на съответния уред.

Уредът трябва да се използва само по предназначение. Всяка друга употреба е нецелесъобразна. Отговорността за възникнали в следствие на това щети или наранявания от всякакъв вид се поема от потребителя/оператора, а не от производителя.

Имайте предвид, че нашите уреди не са конструирани за производствена, занаятчийска или промишлена употреба. Няма да уважим гаранцията, ако уредът се използва в производствени, занаятчийски или промишлени предприятия, както и при сходни дейности.

5. Технически данни

Генератор:	синхронен
Вид на защитата:	IP23
Постоянна мощност $P_{\text{нenn}}$ (S1):	2600 W
Максимална мощност P_{max} (S2 2 мин.):	2800 W
Номинално напрежение $U_{\text{нenn}}$:	2 x 230 V~
Номинален ток $I_{\text{нenn}}$:	11,3 A
Честота $F_{\text{нenn}}$:	50 Hz
Вид на двигателя:	4-тактов с въздушно охлаждане
Работен обем:	207,7 см ³
Гориво:	бензин
Вместимост на резервоара:	15 л
Двигателно масло:	около 0,6 л (15W40)
Разход при 2/3 натоварване:	около 1,36 л/час
Тегло:	42,5 кг
Ниво на звуково налягане L_{pA} :	76 dB (A)
Ниво на звукова мощност L_{WA} :	96 dB (A)
Несигурност K:	1,4 dB (A)
Фактор на мощността (cos φ):	1
Клас според мощността:	G1
Максимална температура:	40 °C
Максимална височина на приложение (над морското равнище):	1000 m
Запалителна свещ:	F7 RTC

Работен режим S1 (постоянен режим на работа)

Уредът може да работи продължително време при посочената мощност.

Работен режим S2 (кратковременен режим на работа)

Уредът може да работи кратко време при посочената мощност (2 мин.).

6. Преди пускане в експлоатация

6.1 Монтаж

За монтажа на уреда ще Ви бъдат необходими два гаечни ключа (размер на ключа 12).

- Монтирайте стойката (16), колелата (14) и лоста за бутане (18), както е показано на фигури 6 - 9.
- Монтирайте всички части, преди да налеете гориво и масло, за да предотвратите изтичане на течности.
- За да монтирате колелата, първо прокарайте оста (15) през държачите от долната страна на електрогенератора и монтирайте колелата (14), както е показано на фигура 7.
- При монтажа на лоста за бутане (18) имайте предвид, че косата страна (фигура 9/E) трябва да бъде разположена навън, за да може да се прибира лостът.

6.2 Електрическа безопасност:

- Електрическите захранващи проводници и включените уреди трябва да бъдат в изправно състояние.
- Можете да включвате само уреди, чието напрежение е еднакво с изходящото напрежение на електрогенератора.
- Никога не включвайте електрогенератора към електрическата мрежа (контакт).
- Дължината на проводниците до консуматора трябва да бъде максимално къса.

6.3 Опазване на околната среда

- Предавайте замърсените материали от поддръжката и горивата в предвиден за целта събирателен пункт.
- Предайте опаковъчния материал, металните и пластмасовите части за рециклиране.

6.4 Заземяване

За отвеждане на статичните заряди е необходимо да заземите корпуса. За целта от едната страна на заземяващата клемма на електрогенератора свържете кабел (фигура 3/позиция 4), а от другата страна външна маса (например прътов заземител).

7. Обслужване

Внимание! Преди първото пускане в експлоатация трябва да налеете двигателно масло (около 0,6 л) и гориво.

- Проверете нивото на горивото и двигателното масло и при необходимост долейте.
- Осигурете достатъчна вентилация на уреда.
- Проверете дали кабелът за запалването е свързан към запалителната свещ.
- Проверете терена в непосредствена близост до електрогенератора.
- Изключете електрическите уреди, които са включени към електрогенератора.

7.1 Стартиране на двигателя

Внимание!

При включване на двигателя от реверсивния стартер (12) можете да си нараните ръката поради внезапен реакционен удар, предизвикан от движещия се двигател. При стартиране на двигателя използвайте защитни ръкавици.

- Отворете бензиновия кран (13). За целта завъртете крана надолу.
- Поставете бутона за включване/изключване в положение „ON” („ВКЛ.”).
- Поставете лоста на карбуратора (11) в положение I Ø I.
- Включете двигателя от реверсивния стартер (12). За целта дръпнете силно дръжката. Ако двигателят не се включи, дръпнете дръжката още веднъж.
- След като стартирате двигателя, върнете в обратна позиция лоста на карбуратора (11).

BG**7.2 Натоварване на електрогенератора**

- Включете уредите, които ще използвате, в 230 V~контакти (3).

Внимание: Контактите могат да се натоварват продължително време (S1) с 2600W и за кратко време (S2) с 2800W, но за не повече от 2 мин.

- Електрогенераторът е предназначен за 230 V~ уреди с променливо напрежение.
- Не включвайте генератора в домакинската мрежа. Това може да предизвика повреда на генератора или на други домакински електроуреди.

Указание: Някои електроуреди (моторни триони с тясна лента, бормашини и др.) могат да имат по-голямо потребление на електроенергия, когато се използват при по-трудни условия.

7.3 Изключване на двигателя

- Преди да изключите двигателя, го оставете да работи известно време без натоварване, за да може агрегатът да се „охлади“.
- Поставете бутона за включване/изключване в положение „OFF“ („ИЗКЛ.“).
- Затворете бензиновия кран (13).

7.4 Защита от претоварване, 2 x 230 V контакти

Внимание! Електрогенераторът е оборудван със защита от претоварване. Защитата изключва контактите (3). Чрез натискане на бутона за защита от претоварване (5) можете отново да включите контактите (3).

Внимание! Ако е налице такъв случай, трябва да намалите електрическата мощност, която вземате от генератора или да отстраните включените повредени уреди.

Внимание! Повредените бутони за защита от претоварване трябва да се подменят само със същите бутони със същите мощностни характеристики. За целта се обърнете към Вашия сервиз.

8. Почистване, поддръжка, складиране, транспортиране и поръчване на резервни части.

Изключете двигателя преди да извършите работите по почистването и поддръжката и извадете щекера от запалителната свещ.

Внимание: Изключете веднага уреда и се обърнете към сервиза:

- при необичайни вибрации или шумове;
- ако двигателят изглежда претоварен или има нередовно запалване.

8.1 Почистване

- Почиствайте редовно предпазителите, вентилационните прорези (фигура 2/L) и корпуса на двигателя от прах и замърсявания. Избършете уреда с чиста кърпа или го почистете с въздух под ниско налягане.
- Препоръчваме Ви да почиствате уреда непосредствено след всяко използване.
- Почиствайте уреда периодично с влажна кърпа и малко мек сапун. Не използвайте почистващи препарати или разтворители, тъй като могат да повредят пластмасовите части на уреда. Внимавайте да не попадне вода вътре в уреда.

8.2. Въздушен филтър

Имайте предвид и указанията на сервиза.

- Почиствайте въздушния филтър редовно и при необходимост го сменяйте.
- Отворете двете скоби (фигура 11/A) и отстранете капака на въздушния филтър (фигура 11/B).
- Извадете филтриращите елементи

(фигура 12/С).

- Не почиствайте елементите със силни почистващи препарати или с бензин.
- Почистете елементите, като ги изтупате върху равна повърхност. При силно замърсяване ги измийте със сапунена вода, изплакнете ги с чиста вода и ги оставете да изсъхнат на въздух.
- Сглобяването се извършва в обратна последователност.

8.3 Запалителна свещ (фигура 13 – 14)

Проверете запалителната свещ за замърсявания след първите 20 работни часа и при необходимост я почистете с телена четка. След това извършвайте поддръжка на запалителната свещ на всеки 50 работни часа.

- Извадете щекера на запалителната свещ (фигура 13) с въртеливо движение.
- Извадете запалителната свещ (фигура 14/D) с приложения ключ (25).
- Сглобяването се извършва в обратна последователност.

8.4 Смяна на маслото, проверка на нивото на маслото (преди всяка употреба)

Смяната на маслото трябва да се извърши при загрят двигател.

- Използвайте само двигателно масло (15W40).
- Поставете генератора върху подходяща подложка в леко наклонено положение срещу посоката на резбовата пробка за източване на маслото (8).
- Отворете резбовата пробка за наливане на масло (7).
- Отворете пробката за източване на маслото и източете топлото двигателно масло в съд.
- След като изтече старото масло, затворете пробката за източване на маслото и изправете генератора.
- Налейте двигателно масло до горния маркер на масломерната пръчка (около 0,6 л).
- Внимание: За да проверите нивото на маслото, не завивайте масломерната пръчка (резбовата пробка за наливане

на масло), а само я пъхнете до резбата.

- Изхвърлете старото масло съгласно предписанията.

8.5 Автоматично изключване при недостатъчно количество масло

Автоматичното изключване се задейства, когато е останало много малко количество двигателно масло. В този случай двигателят не може да се включи или след известно време изключва автоматично. Двигателят може да се включи, след като налеете масло (виж точка 8.4).

8.6 Подготовка за съхранение

Предупреждение: Не източвайте бензина в затворени помещения, близо до огън или докато пушите. Газовите изпарения могат да предизвикат експлозия или пожар.

- Изпразнете резервоара с бензинова смукателна помпа.
- Включете двигателя и го оставете да работи, докато свърши останалото количество бензин.
- Сменяйте маслото след всеки сезон. За целта източете старото масло при загрят двигател и налейте ново масло.
- Извадете запалителната свещ (фигура 14/D). С ръчна масльонка налейте около 20 мл масло в цилиндъра. Издърпайте бавно стартовото въже, така че маслото да навлезе вътре в цилиндъра. Завийте отново запалителната свещ.
- Почистете целия уред, за да се запази цветът на лака.
- Съхранявайте уреда на добре вентилирано място.

8.7 Подготовка за транспортиране

- Изпразнете резервоара с бензинова смукателна помпа.
- Оставете двигателя да работи, докато свърши останалото количество бензин.
- Източете маслото при загрят двигател.
- Извадете щекера (фигура 13) от запалителната свещ.
- Обезопасете уреда срещу преместване с колани.

BG

8.8 Поръчване на резервни части

Когато поръчвате резервни части, трябва да посочите следните данни:

- вид на уреда
- артикулен номер на уреда
- идентификационен номер на уреда.

Актуални цени и информация ще намерите на www.isc-gmbh.info.

националните закони за кръговрата в икономиката и за отпадъците. Това не се отнася за принадлежностите и за помощните средства към старите уреди без електрически компоненти.

9. Извозване и преработване

Уредът е опакован с цел предотвратяване на повреди при транспортирането. Самата опаковка е суровина и може да се преработи или да се използва като суровина. Уредът и принадлежностите му се състоят от различни материали, например метал и пластмаса. Изхвърлете повредените части на специално предназначения за целта места. Допълнителна информация можете да получите в специализираните магазини или в общината.



Само за страни-членки на ЕС.

Не изхвърляйте електроуредите заедно с домакинските отпадъци!

Съгласно европейската Директива 2002/96/ЕО относно отпадъците от електрическо и електронно оборудване и приложението ѝ в националното право употребяваните електроуреди трябва да се събират разделно и да се предоставят за природосъобразна преработка.

Алтернатива за рециклиране наред с изискването за връщане на уредите:
В случай че собственикът не желае повече да използва електроуред, той е длъжен вместо да върне уреда като алтернативен вариант да съдейства при правомерното му преработване. За целта старият уред може да бъде предоставен в приемен пункт, който го унищожава по смисъла на

10. Установяване на повреди

Повреда	Причина	Мерни
Двигателят не може да стартира.	<p>Автоматичното изключване при недостатъчно количество на маслото се задейства.</p> <p>Запалителната свещ е покрита с нагар.</p> <p>Няма гориво.</p>	<p>Проверете нивото на маслото. Долейте двигателно масло.</p> <p>Почистете запалителната свещ или я сменете. Разстоянието между електродите трябва да бъде 0,6 мм.</p> <p>Долейте гориво/проверете бензиновия кран.</p>
В генератора няма напрежение или напрежението е недостатъчно.	<p>Регулаторът или кондензаторът са повредени.</p> <p>Максималнотокова защита е активирана.</p> <p>Въздушният филтър е замърсен.</p>	<p>Обърнете се към специализирания търговец.</p> <p>Задействайте прекъсвача и ограничете потреблението.</p> <p>Почистете филтъра или го сменете.</p>

BG**11. График за поддръжка**

Спазвайте задължително посочените по-долу срокове за поддръжка, за да осигурите безавариен режим на работа. **Внимание! Преди първото пускане в експлоатация трябва да налеете двигателно масло и гориво.**

	преди всяко използване	след 20 работни часа	след 50 работни часа	след 100 работни часа	след 300 работни часа
Проверка на двигателното масло	X				
Смяна на двигателното масло		за първи път, след това на всеки 50 часа	X		
Проверка на въздушния филтър	X				Евентуално сменете филтриращия патрон.
Почистване на въздушния филтър			X		
Почистване на бензиновия филтър				X	
Визуална проверка на уреда	X				
Почистване на запалителната свещ			Разстояние: 0,6 мм, евентуално смяна		
Проверка и регулиране на дроселния вентил на карбуратора					X*
Почистване на главата на цилиндъра					X*
Регулиране на хлабината на вентила					X*

Внимание: Дейностите, отбелязани с „X*“, трябва да се извършват само от оторизирана фирма.

12. Декларация за съответствие

Einhell Germany AG · Wiesenweg 22 · D-94405 Landau/Isar



Konformitätserklärung

- (C)** erklärt folgende Konformität gemäß EU-Richtlinie und Normen für Artikel
- (EN)** explains the following conformity according to EU directives and norms for the following product
- (F)** déclare la conformité suivante selon la directive CE et les normes concernant l'article
- (I)** dichiara la seguente conformità secondo la direttiva UE e le norme per l'articolo
- (NL)** verklaart de volgende overeenstemming conform EU richtlijn en normen voor het product
- (E)** declara la siguiente conformidad a tenor de la directiva y normas de la UE para el artículo
- (P)** declara a seguinte conformidade, de acordo com a directiva CE e normas para o artigo
- (DK)** atterer følgende overensstemmelse i medfør af EU-direktiv samt standarder for artikel
- (S)** förklarar följande överensstämmelse enl. EU-direktiv och standarder för artikeln
- (FIN)** vakuuttaa, että tuote täyttää EU-direktiivin ja standardien vaatimukset
- (EL)** төэндэб тооге vastavust EL direktiivile ja standarditele
- (CZ)** vydává následující prohlášení o shodě podle směrnice EU a norem pro výrobek
- (SK)** potvrdzuje sledujúce skladnosť s smernico EU in standardi za izdelek
- (HU)** ydává následující prohlášení o zhode podľa smernice EÚ a noriem pre výrobok
- (H)** a cikkekez az EU-irányvonal és Normák szerint a következő konformitást jelenti ki
- (PL)** deklaruje zgodność wymienionego poniżej artykułu z następującymi normami na podstawie dyrektywy WE.
- (BG)** декларира съответното съответствие съгласно Директива на ЕС и норми за артикул
- (HR)** paskaidro šadu atbilstību ES direktīvai un standartiem
- (LT)** apibūdina šį atitikimą EU reikalavimams ir prekės normoms
- (RO)** declară următoarea conformitate conform directivei UE și normelor pentru articolul
- (GR)** δηλώνει την ακόλουθη συμμόρφωση σύμφωνα με την Οδηγία ΕΚ και τα πρότυπα για το προϊόν
- (SI)** potrđuje sljedeću usklađenost prema smjernicama EU i normama za artikl
Izjava o sukladnosti za ovaj proizvod dostupna je na internet stranici www.lidl.hr.
- (CRO)** potvrđuje sljedeću usklađenost prema smjernicama EU i normama za artikl
- (BGR)** potvrđuje sledeću usklađenost prema smernicama EZ i normama za artikal
- (BUL)** следующим удостоверяется, что следующие продукты соответствуют директивам и нормам ЕС
- (UKR)** проголошує про зазначену нижче відповідність виробу директивам та стандартам ЄС на виріб
- (TUR)** Ürünü ile ilgili AB direktifleri ve normları gereğince aşağıda açıklanan uygunluğu belirtir
- (NOR)** erklærer følgende samsvar i henhold til EU-direktivet og standarder for artikkel
- (LIT)** Lýsir uppfyllingu EU-reglna og annarra staða vöru

Stromerzeuger PSE 2800 A1 (Parkside)

- 87/404/EC_2009/105/EC
- 2005/32/EC_2009/125/EC
- 2006/95/EC
- 2006/28/EC
- 2004/108/EC
- 2004/22/EC
- 1999/5/EC
- 97/23/EC
- 90/396/EC_2009/142/EC
- 89/686/EC_96/58/EC
- 2006/42/EC
- Annex IV
Notified Body:
Notified Body No.:
Reg. No.:
- 2000/14/EC_2005/88/EC
- Annex V
- Annex VI
Noise: measured $L_{WA} = 94,6$ dB (A); guaranteed $L_{WA} = 96$ dB (A)
P = KW; LØ = cm
Notified Body: TÜV SÜD Industrie Service GmbH, Westendstrasse 199,
80686 München, Deutschland (Notified Body 0036)
- 2004/26/EC
Emission No.: e11*97/68SA*2004/26*1338*00

Standard references: EN 12601; EN 55012; EN 61000-6-1

Landau/Isar, den 01.09.2010

Weichselgartner/General Manager

Hongjie/Product-Management

First CE: 09
Art.-No.: 41.524.15 I.-No.: 11020
Subject to change without notice

Archive-File/Record: 4152410-06-4155050-09
Documents registrar: Robert Mayn
Wiesenweg 22, D-94405 Landau/Isar

13. ДОКУМЕНТ ЗА ГАРАНЦИЯ

Уважаеми клиенти,

нашите продукти подлежат на строг качествен контрол. В случай, че въпреки това в даден момент този уред не работи безупречно, изказваме съжалението си и Ви молим, да се обърнете към нашата сервисна служба на посочения на тази гаранционна карта адрес. С удоволствие сме на Ваше разположение и по телефона на посочения телефонен номер в сервиса. За предявяването на претенциите по отношение на гаранцията е в сила следното:

1. Тези гаранционни условия уреждат допълнителни гаранционни услуги. Вашите законни права при недостатъци на престацията не биват засегнати от тази гаранция. Нашата гаранционна услуга е безплатна за Вас.
2. Гаранционната услуга се разпростира изключително върху дефекти, които се дължат на дефекти в суровината или производствени дефекти и се ограничава до отстраняване на тези дефекти, респ. до подмяна на уреда. Моля, обърнете внимание на това, че нашите уреди съгласно предназначението не са конструирани за промишлена, занаятчийска или индустриална употреба. Гаранционен договор при това не се сключва, когато уредът се използва в промишлени, занаятчийски или индустриални предприятия, както и при равностойни на тях дейности. От нашата гаранция се изключват също така допълнителни услуги за транспортни щети, щети поради не съблюдаване на упътването за монтажа или въз основа на не прецизна инсталация, не съблюдаване на упътването за употреба (като напр. поради свързване към неподходящо електрическо напрежение или вид ток), груби или неподходящи за целта приложения (като напр. претоварване на уреда или използване на не позволени инструменти за употреба или оборудване), не спазване на разпоредбите за поддръжка и безопасност, навлизане на чужди тела в уреда (като напр. пясък, камъни или прах), употреба на сила или чужди намеси (като напр. щети, получени чрез падане) както и поради обичайното изхабяване при употребата. Това важи по-специално за акумулатори, за които въпреки това осигуряваме гаранционен срок от 12 месеца.

Правото за гаранция изтича, когато по уреда вече са били извършени намеси.

3. Гаранционният период е 3 години и започва от датата на покупка на уреда. Гаранционните права трябва да се предявят преди изтичане на гаранционния период в рамките на две седмици, след като сте открили дефекта. Предявяването на гаранционните права след изтичане на гаранционния период е изключено. Поправката или подмяната на уреда не води до удължаване на гаранционния период, както и с тази услуга за уреда или за евентуални монтирани резервни части не започва нов гаранционен период. Това важи също и при използване на сервисни услуги на място.
4. За предявяването на Вашето гаранционно право, моля, изпратете дефектния уред на посочения по-долу адрес без заплащане на пощенска такса. Приложете квитанцията в оригинал или друг удостоверяващ покупката документ с дата. Моля, затова пазете добре касовия бон като доказателство! Моля, опишете ни причината за рекламацията възможно най-точно. Ако дефектът на уреда е включен в нашата гаранционна услуга, веднага ще получите обратно поправен или нов уред.

Разбира се, в замяна на възстановяването на разходите ние с удоволствие отстраняваме също и дефекти по уреда, които не са или вече не са включени в обхвата на гаранцията. За целта, моля, изпратете уреда на нашия адрес в сервиса.

Einhell Bulgaria LTD
Blvd. "Tzar Osvoboditel" № 331.
BG-9000 Varna
Tel. 00359 52 739 038

Περιεχόμενα	Σελίδα
1. Εισαγωγή	42
2. Υποδείξεις ασφαλείας	42-43
3. Περιγραφή της συσκευής	43
4. Ενδεδειγμένη χρήση	44
5. Τεχνικά χαρακτηριστικά	44
6. Πριν τη θέση σε λειτουργία	45
7. Χειρισμός	45-46
8. Καθαρισμός, συντήρηση, αποθήκευση, μεταφορά και παραγγελία ανταλλακτικών	46-48
9. Διάθεση στα απορρίμματα και επαναχρησιμοποίηση	48
10. Πίνακας αναζήτησης αιτίας βλάβης	49
11. Συντήρηση	50
12. Δήλωση συμμόρφωσης	51
13. Εγγύηση	52

Η ανατύπωση ή οποιασδήποτε άλλης μορφής αναπαραγωγή της τεκμηρίωσης ή άλλων δικαιολογητικών που αναφέρονται στα προϊόντα, ακόμη και αποσπασματικά, επιτρέπεται μόνο με ρητή συγκατάθεση της ISC GmbH.

Με επιφύλαξη τεχνικών τροποποιήσεων

1. Εισαγωγή

⚠ Προσοχή!

Κατά τη χρήση των συσκευών πρέπει, προς αποφυγή τραυματισμών, να τηρούνται και να λαμβάνονται ορισμένα μέτρα ασφαλείας. Διαβάστε για το λόγο αυτό προσεκτικά τις Οδηγίες χρήσης / Υποδείξεις ασφαλείας. Φυλάξτε τις καλά για να έχετε τις πληροφορίες πάντα στη διάθεσή σας. Εάν παραδώσετε τη συσκευή σε άλλα άτομα, δώστε μαζί και αυτές τις Οδηγίες χρήσης / Υποδείξεις ασφαλείας. Δεν αναλαμβάνουμε καμία ευθύνη για ατυχήματα ή βλάβες που οφείλονται σε μη τήρηση αυτών των Οδηγιών χρήσης και των Υποδείξεων ασφαλείας.

2. Υποδείξεις ασφαλείας

- Δεν επιτρέπονται μεταβολές της γεννήτριας.
- Για συντήρηση και αξεσουάρ επιτρέπεται μόνο η χρήση γνήσιων ανταλλακτικών.
- Προσοχή: Κίνδυνος δηλητηρίασης, τα απαέρια, τα καύσιμα και τα λιπαντικά είναι τοξικά, δεν επιτρέπεται η εισπνοή απαερίων.
- Να κρατάτε τα παιδιά μακριά απ'οτη γεννήτρια.
- Προσοχή: Κίνδυνος εγκαύματος, μην αγγίζετε το σύστημα απαερίων και τη μονάδα μετάδοσης κίνησης
- Να χρησιμοποιείτε κατάλληλη ηχοπροστασία όταν βρίσκεστε κοντά στη συσκευή.
- Προσοχή: Η βενζίνη και οι ατμοί της βενζίνης είναι εύφλεκτοι ή και εκρηκτικοί.
- Μη χρησιμοποιείτε τη γεννήτρια σε μη αεριζόμενους χώρους ή σε εύφλεκτο περιβάλλον. Όταν χρησιμοποιείτε τη γεννήτρια σε καλά αεριζόμενους χώρους, πρέπει τα απέρια να οδηγηθούν με σωλήνα απευθείας στο ύπαιθρο. Προσοχή: Ακόμη και με χρήση σωλήνα απαερίων δεν αποκλείεται η διαφυγή τοξικών απαερίων. Λόγω του κινδύνου πυρκαγιάς δεν επιτρέπεται ποτέ να κατευθυνθεί ο σωλήνας απαερίων προς εύφλεκτα υλικά.

- Κίνδυνος έκρηξης: Η γεννήτρια να μη λειτουργεί ποτέ σε χώρους με εύφλεκτα υλικά.
- Ο από τον κατασκευαστή προρυθμισμένος αριθμός στροφών δεν επιτρέπεται να αλλαχτεί. Μπορεί να υποστούν βλάβη η γεννήτρια ή οι συνδεδεμένες συσκευές.
- Κατά τη διάρκεια της μεταφοράς να ασφαλίσετε τη γεννήτρια κατά ολίσθησης και πτώσης.
- Να τοποθετείτε τη γεννήτρια τουλάχιστον 1 μέτρο μακριά από τοίχους ή συνδεδεμένες συσκευές.
- Να τοποθετείτε τη γεννήτρια σε ασφαλή, επίπεδη θέση. Απαγορεύεται η περιστροφή ή η κλίση της ή η αλλαγή της θέσης της κατά τη διάρκεια της λειτουργίας.
- Κατά τη μεταφορά και την πλήρωση με καύσιμο
- Προσέξτε να μη χυθεί καύσιμο πάνω στον κινητήρα ή την εξάτμιση.
- Μη λειτουργείτε την γεννήτρια ποτέ στη βροχή ή στο χιόνι.
- Ποτέ μη πιάνετε τη γεννήτρια με υγρά χέρια.
- Προστατευθείτε από ηλεκτροπληξία.
- Στο ύπαιθρο να χρησιμοποιείτε μόνο τα για το σκοπό αυτό εγκεκριμένες μπαλαντέζες με την ανάλογη σήμανση (H07RN..)
- Εάν χρησιμοποιείτε μπαλαντέζες, το μήκος τους δεν επιτρέπεται να είναι πάνω από 50m για 1,5mm² και 100m για 2,5mm².
- Δεν επιτρέπονται οποιεσδήποτε μεταβολές στις ρυθμίσεις του κινητήρα ή της γεννήτριας.
- Επισκευές και εργασίες ρύθμισης να εκτελούνται μόνο από εξειδικευμένο προσωπικό συμβεβλημένου συνεργείου.
- Μη συμπληρώνετε ή μην εκκενώνετε καύσιμο κοντά σε ανοικτή πηγή φωτός, κοντά σε φωτιά ή σε σημεία σπινθηροβολίας. Μη καπνίζετε!
- Μην αγγίζετε μηχανικά κινούμενα ή καυτά τμήματα. Αφαιρέστε τα προστατευτικά καλύμματα.
- Οι συσκευές δεν επιτρέπεται να εκτίθενται σε υγρασία ή σκόνη. Επιτρεπτή θερμοκρασία περιβάλλοντος -10 έως +40°,

ύψος: 1000 m άνω NN, σχ. υγρασία: 90% (χωρίς σχηματισμό συμπυκνώματος)

- Η γεννήτρια κινείται με κινητήρα καύσης, ο οποίος δημιουργεί θερμότητα στην περιοχή της εξάτμισης (στην άλλη πλευρά, απέναντι από την πρίζα) και της εξόδου της εξάτμισης. Να αποφεύγετε να πλησιάζετε τις επιφάνειες αυτές λόγω του κινδύνου δερματικών εγκαυμάτων.
- Στα τεχνικά χαρακτηριστικά αναφέρονται τιμές εκπομπής θορύβων για στάθμη ηχητικής πίεσης (LWA) και στάθμη ακουστικής ισχύος (LpA) που δεν παριστάνουν οπωσδήποτε ασφαλείς τιμές στάθμης στον τόπο εργασίας. Επειδή σχετίζονται οι τιμές εκπομπής θορύβου και οι τιμές εισροής θορύβου, η τιμή αυτή δεν μπορεί να αποτελέσει αξιόπιστη βάση για τον προσδιορισμό ενδεχόμενων απαραίτητων πρόσθετων μέτρων προστασίας. Παράγοντες που επιδρούν στην επικρατούσα στάθμη εισροής θορύβων κατά την εργασία περιλαμβάνουν τις ιδιότητες του χώρου εργασίας, άλλες πηγές θορύβων, κλπ. όπως π.χ. τον αριθμό των μηχανών και άλλων γειτονικών διαδικασιών, και το χρονικό διάστημα έκθεσης του χειριστή στο θόρυβο. Επίσης μπορεί η επιτρεπτή τιμή εισροής θορύβων να διαφέρει από χώρα σε χώρα. Παρ'όλα αυτά η πληροφορία αυτή παρέχει στην επιχείρηση, στην οποία λειτουργεί η μηχανή, τη δυνατότητα καλύτερης εκτίμησης των κινδύνων.

Προσοχή: Να χρησιμοποιείτε μόνο αμόλυβδη βενζίνη σαν καύσιμο.

⚠ ΠΡΟΕΙΔΟΠΟΙΗΣΗ

Διαβάστε όλες τις Υποδείξεις ασφαλείας και τις Οδηγίες. Σε περίπτωση παραλείψεων κατά την τήρηση των Υποδείξεων ασφαλείας η συνέπεια μπορεί να είναι ηλεκτροπληξία, πυρκαγιά και/ή σοβαροί τραυματισμοί.

Φυλάξτε για μελλοντική χρήση όλες τις Υποδείξεις ασφαλείας και τις οδηγίες.

Εξήγηση των πινακίδων με υποδείξεις επάνω στη συσκευή (εικ. 15)

- 1. Προσοχή!** Διαβάστε τις Οδηγίες χρήσης.
- 2. Προσοχή!** Καυτά τμήματα. Να κρατάτε απόσταση.
- 3. Προσοχή!** Όταν βάζετε βενζίνη να σβήνετε τον κινητήρα.
- 4. Προσοχή!** Μη χρησιμοποιείτε τη γεννήτρια σε μη αεριζόμενους χώρους.

3. Περιγραφή της συσκευής (εικ. 1-5)

- 1 Ένδειξη ντεπόζιτου
- 2 Καπάκι ντεπόζιτου
- 3 2 x 230 V~ πρίζες
- 4 Σύνδεση γείωσης
- 5 Ασφάλεια υπερφόρτωσης
- 6 Βολτόμετρο
- 7 Βίδα πλήρωσης λαδιού
- 8 Βίδα εκκένωσης λαδιού
- 9 Ασφάλεια έλλειψης λαδιού
- 10 Διακόπτης ενεργοποίησης/απενεργοποίησης
- 11 Μοχλός τσοκ
- 12 Σύστημα σχοινού εκκίνησης
- 13 Βαλβίδα βενζίνης
- 14 Τροχοί
- 15 Άξονας τροχού
- 16 Βάση
- 17 Στήριγμα βραχίονα ώθησης
- 18 Βραχίονας ώθησης
- 19 Βίδες M8x40
- 20 Βίδες M8x16
- 21 Ροδέλες για τροχούς
- 22 Ασφαλιστικές περόνες για τροχούς
- 23 Παξιμάδια M8
- 24 Κατσαβίδι
- 25 Κλειδί για μπουζί
- 26 Χωνί πλήρωσης λαδιού

4. Ενδεδειγμένη χρήση

Η συσκευή είναι κατάλληλη για τις χρήσεις που προβλέπουν λειτουργία σε πηγή εναλλασσόμενης τάσης 230V.

Να προσέχετε οπωσδήποτε τους περιορισμούς στις υποδείξεις ασφαλείας. Σκοπός της γεννήτριας είναι η κίνηση ηλεκτρικών εργαλείων και η τροφοδότηση φωτιστικών πηγών. Στις οικιακές συσκευές παρακαλούμε να ελέγχετε πρώτα την καταλληλότητα βάσει των στοιχείων του κατασκευαστή. Σε περίπτωση αμφιβολιών ρωτήστε το για την εκάστοτε συσκευή ειδικό συμβεβλημένο κατάστημα.

Η μηχανή να χρησιμοποιείται μόνο για το σκοπό για τον οποίο προορίζεται. Κάθε πέραν τούτου χρήση δεν είναι ενδεδειγμένη. Για ζημιές ή τραυματισμούς παντός είδους που οφείλονται σε μη ενδεδειγμένη χρήση ευθύνεται ο χρήστης / χειριστής και όχι ο κατασκευαστής.

Παρακαλούμε να προσέξετε, πως οι συσκευές μας δεν έχουν κατασκευαστεί για επαγγελματική, βιοτεχνική και βιομηχανική χρήση. Δεν αναλαμβάνουμε καμία εγγύηση, εάν η συσκευή χρησιμοποιηθεί σε βιοτεχνίες ή βιομηχανίες ή σε παρόμοιες εργασίες.

5. Τεχνικά χαρακτηριστικά

Γεννήτρια:	σύγχρονη
Είδος προστασίας:	IP23
Διαρκής ισχύς P_{nenn} (S1):	2600 W
Μέγιστη ισχύς P_{max} (S2 2 min):	2800 W
Ονομαστική τάση U_{nenn} :	2 x 230V~
Ονομαστικό ρεύμα: I_{nenn} :	11,3 A
Συχνότητα F_{nenn} :	50 Hz
Είδος κατασκευής κινητήριας μηχανής: κινητήρας τετράχρονος, υδρόψυκτος	
Κυβισμός:	207,7 cm ³
Καύσιμο:	Βενζίνη
Χωρητικότητα ντεπόζιτου:	15 l
Λάδι κινητήρα:	περ. 0,6 l (15W40)
Κατανάλωση σε 2/3 φορτίου:	περ. 1,36 l/h
Βάρος:	42,5 kg
Στάθμη ηχητικής πίεσης L_{pA} :	76 dB (A)
Στάθμη ακουστικής ισχύος L_{WA} :	96 dB (A)
Αβεβαιότητα K	1,4 dB (A)
Συντελεστής ισχύος $\cos \varphi$:	1
Κλάση ισχύος:	G1
Μέγιστη θερμοκρασία:	40°C
Μέγ. ύψος τοποθέτησης (υψόμετρο):	1000 m
Μπουζί:	F7 RTC

Είδος λειτουργίας S1 (συνεχής λειτουργία)

Η μηχανή μπορεί να λειτουργήσει συνεχώς με την αναφερόμενη ισχύ.

Είδος λειτουργίας S2 (σύντομη λειτουργία)

Η μηχανή επιτρέπεται να λειτουργήσει μόνο για ένα σύντομο χρονικό διάστημα με την αναφερόμενη ισχύ (2 λεπτά).

6. Πριν τη θέση σε λειτουργία

6.1. Συναρμολόγηση

Για την συναρμολόγηση της συσκευής χρειάζεστε δύο διπλά κλειδιά (μέγεθος κλειδιού 12)

- Συναρμολογήστε το πόδι (16), τους τροχούς (14) και τον βραχίονα ώθησης (18) όπως παριστάνεται στις απεικονίσεις 6-9.
- Συναρμολογήστε όλα τα τμήματα πριν γεμίσετε καύσιμο και λάδι για να αποφύγετε την εκροή υγρών.
- Για τη συναρμολόγηση των τροχών σπρώξτε πρώτα τον άξονα του τροχού (15) από τα στηρίγματα στην κάτω πλευρά της γεννήτριας και συναρμολογήστε τους τροχούς (14) όπως φαίνεται στην εικόνα 7.
- Προσέξτε κατά τη συναρμολόγηση του βραχίονα (18) να δείχνει η λοξή πλευρά (εικ. 9/αρ. Ε) προς τα έξω, ώστε να μπορεί να αναδιπλωθεί σωστά.

6.2 Ηλεκτρική ασφάλεια:

- Τα ηλεκτρικά καλώδια και οι συνδεδεμένες συσκευές πρέπει να είναι σε άψογη κατάσταση.
- Επιτρέπεται μόνο η σύνδεση συσκευών των οποίων συμφωνεί η τάση με την τάση εξόδου της γεννήτριας.
- Ποτέ μη συνδέετε τη γεννήτρια με το δίκτυο (πρίζα).
- Τα καλώδια προς τον καταναλωτή να είναι όσο λιγότερο μακριά γίνεται.

6.3 Προστασία περιβάλλοντος

- Να παραδίσετε ακάθαρτα υλικά εργασιών συντήρησης και βοηθητικές ύλες στα για το σκοπό αυτό λειτουργούντα κέντρα συλλογής.
- Να παραδίσετε τα υλικά συσκευασίας, μέταλλα και πλαστικά υλικά για ανακύκλωση.

6.4 Γείωση

Για την απαγωγή στατικού ηλεκτρισμού επιβάλλεται η γείωση του περιβλήματος. Για το σκοπό αυτό συνδέστε ένα καλώδιο στη μία πλευρά στη σύνδεση γείωσης της γεννήτριας (εικ. 3/αρ. 4) και στην άλλη πλευρά με εξωτερική γείωση (π. χ. με γείωση στη γη).

7. Χειρισμός

Προσοχή! Κατά την πρώτη θέση σε λειτουργία πρέπει να γεμίσετετε λάδι κινητήρα (περ. 0,6 λίτρα) και καύσιμο.

- Να ελέγχετε τη στάθμη καυσίμου και λαδιού κινητήρα και ενδεχομένως να συμπληρώνετε
- Να φροντίζετε για επαρκή αερισμό της συσκευής.
- Σιγουρευτείτε πως το καλώδιο έναυσης έχει στερεωθεί στο μπουζί.
- Να παρατηρείτε τον χώρο κοντά στη γεννήτρια.
- Αποσυνδέστε από τη γεννήτρια ενδεχομένως συνδεδεμένες ηλεκτρικές συσκευές.

7.1 Εκκίνηση κινητήρα

Προσοχή!

Κατά την εκκίνηση με το κορδόνι (12) μπορεί να προκληθεί δυνατή αντίκρουση από τον εκκινούμενο κινητήρα και να προκληθούν έτσι τραυματισμοί στο χέρι. Κατά την εκκίνηση να φοράτε πάντα προστατευτικά γάντια.

- Ανοίξτε τη βαλβίδα της βενζίνης (13) στρίβοντας την προς τα κάτω.
- Φέρτε τον διακόπτη ενεργοποίησης/απενεργοποίησης (10) στη θέση „ON“.
- Βάλτε το τσοκ (11) στη θέση I Ø I.
- Βάλτε μπροστά τον κινητήρα με το κορδόνι (12) τραβώντας δυνατά από τη λαβή. Εάν δεν πάρει μπροστά η μηχανή, ξανατραβήξτε από τη λαβή.
- Σπρώξτε το τσοκ (11) πάλι πίσω μετά την εκκίνηση του κινητήρα.

GR/
CY

7.2 Φόρτωση της γεννήτριας

- Συνδέστε τις συσκευές στις πρίζες 230 V~ (3)

Προσοχή: Για αυτές τις πρίζες επιτρέπεται συνεχές φορτίο (S1) 2600 W και για περιορισμένο χρονικό διάστημα (S2) επί μέγιστου 2 λεπτά με 2800W.

- Η γεννήτρια προορίζεται για συσκευές εναλλασσόμενης τάσης 230 V~
- Μη συνδέετε τη γεννήτρια σε οικιακό δίκτυο, διότι έτσι μπορεί να προκληθεί η βλάβη της γεννήτριας ή άλλων ηλεκτρικών συσκευών στο σπίτι.

Υπόδειξη: Μερικές ηλεκτρικές συσκευές (πριόνια, τρυπάνια κλπ.) μπορεί να καταναλώνουν περισσότερο ρεύμα, όταν λειτουργούν υπό δυσχερείς συνθήκες.

7.3 Σβήστε τον κινητήρα

- Αφήστε τη γεννήτρια να λειτουργήσει σύντομα χωρίς φορτίο πριν την απενεργοποιήσετε, για να κρυώσει λίγο το μηχανήμα.
- Βάλτε τον διακόπτη ενεργοποίησης/απενεργοποίησης (10) στη θέση „OFF“.
- Κλείστε τη βάνα για τη βενζίνη (13).

7.4 Προστασία υπερφόρτωσης πρίζες 2x 230 V

Προσοχή! Η συσκευή είναι εξοπλισμένη με σύστημα προστασίας από υπερφόρτωση.

Το σύστημα αυτό απενεργοποιεί τις πρίζες (3). Με πίεση του συστήματος προστασίας από υπερφόρτωση (5) μπορούν να επαναλειτουργήσουν οι πρίζες (3).

Προσοχή! Στην περίπτωση αυτή μειώστε την ηλεκτρική ισχύ που απορροφάτε από τη γεννήτρια ή απομακρύντε τις ελαττωματικές συνδεδεμένες συσκευές.

Προσοχή! Οι ελαττωματικοί διακόπτες προστασίας από υπερφόρτωση επιτρέπεται να αντικατασταθούν μόνο

46

από διακόπτες με τα ίδια στοιχεία ισχύος. Σε περίπτωση αποριών να αποτανθείτε προς το τμήμα εξυπηρέτησης.

8. Καθαρισμός, συντήρηση, αποθήκευση, μεταφορά και παραγγελία ανταλλακτικών

Πριν από όλες τις εργασίες καθαρισμού και συντήρησης να σβήνετε τον κινητήρα και να βγάζετε το βύσμα του μπουζί από το μπουζί.

Προσοχή: Απενεργοποιήστε αμέσως τη συσκευή και αποτανθείτε προς το συνεργείο οσέρβις:

- Σε περίπτωση πριεργων δονήσεων ή θορύβων
- Εάν νομίζετε πως υπερφορτώνεται ο κινητήρας ή παρουσιάζει αστοχίες

8.1 Καθαρισμός

- Να διατηρείτε τα συστήματα προστασίας, τις σχισμές αερισμού (εικ. 2/αρ. L) και το κέλυφος του κινητήρα όσο πιο καθαρά και ελεύθερα από σκόνη γίνονται. Σκουπίζετε τη συσκευή με ένα καθαρό πανί, ή καθαρίστε το με πεπαισμένο αέρα σε χαμηλή πίεση.
- Συνιστούμε να καθαρίζετε τη συσκευή αμέσως μετά από κάθε χρήση.
- Να καθαρίζετε τη συσκευή τακτικά με ένα νωπό πανί και λίγο μαλακό σαπούνι. Μη χρησιμοποιείτε καθαριστικά ή διαλύτες, γιατί δεν αποκλείεται να καταστρέψουν την επιφάνεια της συσκευής. Προσέξτε να μην περάσει νερό στο εσωτερικό της συσκευής.

8.2 Φίλτρο αέρα

Προσέξτε τις πληροφορίες σέρβις.

- Να καθαρίζετε τακτικά το φίλτρο του αέρα, εάν χρειαστεί να το αντικαταστήσετε.
- Ανοίξτε και τους δύο συνδετήρες (εικ. 11/A) και αφαιρέστε το καπάκι του φίλτρου του αέρα (εικ. 11 /B).
- Αφαιρέστε τα στοιχεία του φίλτρου (εικ. 12/C)

- Για τον καθαρισμό των στοιχείων δεν επιτρέπεται να χρησιμοποιηθούν διαβρωτικά καθαριστικά ή βενζίνη.
- Καθαρίστε τα στοιχεία με ελαφρό κτύπημα σε επίπεδη επιφάνεια. Σε περίπτωση επίμονων ακαθαρσιών να πλυθούν με σαπουνόνερο, κατόπιν να ξεπλυθούν με καθαρό νερό και να τα αφήσετε να στεγνώσουν στον αέρα.
- Η συναρμολόγηση εκτελείται στην αντίστροφη σειρά.

8.3 Μπουζί (εικ. 13-14)

Να ελέγξετε για πρώτη φορά το μπουζί μετά από 20 ώρες λειτουργίας για ακαθαρσίες και καθαρίστε το ενδεχομένως με χάλκινη σφραματόβουρτσα. Κατόπιν η συντήρηση του μπουζί να γίνεται κάθε 50 ώρες λειτουργίας.

- Για το σκοπό αυτό τραβήξτε το βύσμα του μπουζί (εικ. 13) με περιστροφική κίνηση.
- Απομακρύντε το μπουζί (εικ. 14/D) με το συμπαραδιδόμενο κλειδί για το μπουζί (25).
- Η συναρμολόγηση εκτελείται στην αντίστροφη σειρά.

8.4 Αλλαγή λαδιού, έλεγχος στάθμης λαδιού (πριν από κάθε χρήση)

Η αλλαγή του λαδιού του κινητήρα να εκτελείται σε θερμό κινητήρα.

- Να χρησιμοποιείτε μόνο λάδι για κινητήρες (15W40)
- Τοποθετήστε τη γεννήτρια σε κατάλληλη επιφάνεια, ελαφριά λοξά προς τη βίδα εκκένωσης λαδιού (8).
- Ανοίξτε τη βίδα πλήρωσης λαδιού (7)
- Ανοίξτε τη βίδα εκκένωσης λαδιού και εκκενώστε το θερμό λάδι σε δοχείο περισυλλογής.
- Αφού εκκενωθεί το μεταχειρισμένο λάδι, κλείστε τη βίδα εκκένωσης λαδιού και επαναστήστε τη γεννήτρια στα ίσια.
- Γεμίστε λάδι κινητήρα μέχρι το επάνω σημάδι της ράβδου μέτρησης λαδιού (περ. 0,6 l).
- Προσοχή: Μη βιδώνετε το μπαστούνακι μέτρησης λαδιού (βίδα στομίου πλήρωσης λαδιού) για τον έλεγχο της στάθμης του λαδιού, αλλά να το βάζετε μέσα μέχρι το σπειρώμα.

- Το μεταχειρισμένο λάδι πρέπει να διατεθεί στα απορρίμματα σύμφωνα με τις ισχύουσες διατάξεις.

8.5 Αυτόματο σύστημα απενεργοποίησης σε χαμηλή στάθμη λαδιού

Το αυτόματο σύστημα απενεργοποίησης ενεργοποιείται σε περίπτωση χαμηλής στάθμης λαδιού στον κινητήρα. Στις περιπτώσεις αυτές δεν μπορεί να εκκινηθεί ο κινητήρας ή σβήνει μετά από σύντομο χρονικό διάστημα. Η εκκίνηση του κινητήρα είναι δυνατή μόνο αφού γεμιστεί πάλι λάδι (βλέπε εδάφιο 8.4).

8.6 Προετοιμασία για την αποθήκευση

Προειδοποίηση: Μην αφαιρείτε τη βενζίνη σε κλειστούς χώρους, κοντά σε φωτιά ή όταν καπνίζετε. Οι ατμοί του αερίου μπορεί να προκαλέσουν εκρήξεις ή πυρκαγιά.

- Να αδειάζετε το ρεζερβουάρ βενζίνης με αντλία για αναρρόφηση βενζίνης.
- Βάλτε μπροστά τον κινητήρα και αφήστε τον να λειτουργήσει μέχρι να καταναλωθεί η υπόλοιπη βενζίνη.
- Σε κάθε σαιζόν να κάνετε αλλαγή λαδιού. Για το σκοπό αυτό αφαιρείτε το παλιό λάδι από τον θερμό κινητήρα και γεμίστε νέο λάδι.
- Απομακρύντε το μπουζί (εικ. 14/αρ. D). Γεμίστε με μία κανάτα λαδιού περ. 20ml λάδι κινητήρα στον κύλινδρο. Τραβήξτε αργά τη λαβή εκκίνησης, έτσι ώστε το λάδι να προστατεύει εσωτερικά τον κύλινδρο. Επαναβιδώστε το μπουζί.
- Καθαρίστε όλη τη συσκευή για να προστατέψετε το βερνίκι.
- Να φυλάγετε τη μηχανή πάντα σε καλά αεριζόμενο μέρος.

8.7 Προετοιμασία για μεταφορά

- Να αδειάζετε το ρεζερβουάρ βενζίνης με αντλία για αναρρόφηση βενζίνης.
- Αφήστε τον κινητήρα να λειτουργήσει μέχρι να καταναλωθεί η υπόλοιπη βενζίνη.
- Αδειάστε το λάδι από τον θερμό κινητήρα.
- Για το σκοπό αυτό τραβήξτε το βύσμα του μπουζί (εικ. 13) από το μπουζί.
- Ασφαλίστε τη συσκευή, για παράδειγμα με

GR/
CY

ζώνες σύσφιξης, κατά ενδεχόμενης ολίσθησης.

8.8 Παραγγελία ανταλλακτικών:

Κατά την παραγγελία ανταλλακτικών να αναφέρετε τα εξής:

- Τύπος της συσκευής
- Αριθμός είδους της συσκευής
- Αριθμός ταύτισης της συσκευής

Θα βρείτε τις ισχύουσες τιμές και πληροφορίες στην ιστοσελίδα www.isc-gmbh.info

περίπτωση που δεν συνεχίζει να χρησιμοποιεί τη συσκευή. Η παλιά συσκευή μπορεί να παραχωρηθεί σε κέντρο επιστροφής ηλεκτρικών συσκευών με την έννοια των εθνικών νόμων ανακύκλωσης και διαχείρισης αποβλήτων. Δεν συμπεριλαμβάνονται τα τμήματα παλιών συσκευών και τα βοηθητικά στοιχεία χωρίς ηλεκτρικά εξαρτήματα.

9. Διάθεση στα απορρίμματα και επαναχρησιμοποίηση

Η συσκευή βρίσκεται σε μία συσκευασία προς αποφυγή ζημιών κατά τη μεταφορά. Αυτή η συσκευασία αποτελείται από πρώτες ύλες και έτσι μπορεί να επαναχρησιμοποιηθεί ή να ανακυκλωθεί. Η συσκευή και τα εξαρτήματά της αποτελούνται από διάφορα υλικά, όπως π.χ. μέταλλο και πλαστικά υλικά. Να παραδίδετε τα ελαττωματικά εξαρτήματα σε κέντρα συλλογής ειδικών απορριμμάτων. Ενημερωθείτε στα ειδικά καταστήματα ή στην διοίκηση της κοινότητας!



Μόνο για κράτη-μέλη της Ε.Ε.

Μη πετάτε τις ηλεκτρικές συσκευές στα οικιακά απορρίμματα!

Σύμφωνα με την ευρωπαϊκή Οδηγία 2002/96/ΕΚ για απόβλητα ειδών ηλεκτρικού και ηλεκτρονικού εξοπλισμού και την ενσωμάτωσή της σε εθνικό δίκαιο, πρέπει η παλιές ηλεκτρικές συσκευές να συγκεντρώνονται και να παραδίδονται για ανακύκλωση φιλική για το περιβάλλον.

Εναλλακτική λύση ανακύκλωσης αντί για επιστροφή

Ο ιδιοκτήτης της ηλεκτρικής συσκευής υποχρεούται αντί της επιστροφής να συμβάλει στη σωστή ανακύκλωση σε

10. Πίνακας αναζήτησης αιτίας βλάβης

Βλάβη	Αιτία	Αποκατάσταση
Δεν παίρνει μπροστά ο κινητήρας	Αποκρίνεται το σύστημα απενεργοποίησης σε χαμηλή στάθμη λαδιού Καπνισμένο μπουζί δεν υπάρχει καύσιμο	Έλεγχος στάθμης λαδιού, συμπλήρωση λαδιού κινητήρα Καθαρισμός του μπουζί, ή αντικατάστασή του. Απόσταση ηλεκτροδίων 0,6mm Συμπληρώστε καύσιμο / να ελεγχθεί η βαλβίδα βενζίνης
Η γεννήτρια έχει πολύ χαμηλή ή καθόλου τάση	Ελαττωματικός ρυθμιστής ή συμπυκνωτής Αποκρίθηκε ο διακόπτης ασφαλείας Ακάθαρτο φίλτρο αέρα	Συμβουλευθείτε ειδικό κατάστημα Πιέστε το διακόπτη και μειώστε τους καταναλωτές Καθαρίστε ή αντικαταστήστε το

11. Συντήρηση

Να τηρούνται οπωσδήποτε οι επόμενες προθεσμίες συντήρησης ώστε να εξασφαλιστεί μία ομαλή λειτουργία. **Προσοχή! Κατά την πρώτη θέση σε λειτουργία πρέπει να γεμίσετε λάδι κινητήρα και καύσιμο.**

	Πριν από κάθε χρήση	Μετά από λειτουργία 20 ωρών	Μετά από λειτουργία 50 ωρών	Μετά από λειτουργία 100 ωρών	Μετά από λειτουργία 300 ωρών
Έλεγχος λαδιού του κινητήρα	X				
Αλλαγή λαδιού του κινητήρα		Πρώτη φορά μετά κάθε 50 ώρες	X		
Έλεγχος του φίλτρου αέρα	X				Ενδεχ. αλλά στοιχείου φίλτρου
Καθαρισμός του φίλτρου του αέρα			X		
Καθαρισμός του φίλτρου της βενζίνης				X	
Οπτικός έλεγχος της συσκευής	X				
Καθαρισμός του μπουζί			Απόσταση 0,6 mm, ενδεχ. αντικατάσταση		
Έλεγχος και επαναρύθμιση της στραγγαλιστικής βαλβίδας στο καρμπυρατέρ					X*
Καθαρισμός της κυλινδροκεφαλής					X*
Ρύθμιση ανοχής βαλβίδας					X*

Προσοχή: Οι εργασίες που σημειώνονται με „X*“ πρέπει να εκτελούνται από συμβεβλημένο συνεργείο.

12. Δήλωση Συμμόρφωσης

Einhell Germany AG · Wiesenweg 22 · D-94405 Landau/Isar



Konformitätserklärung

- erklärt folgende Konformität gemäß EU-Richtlinie und Normen für Artikel
 explains the following conformity according to EU directives and norms for the following product
 déclare la conformité suivante selon la directive CE et les normes concernant l'article
 dichiara la seguente conformità secondo la direttiva UE e le norme per l'articolo
 verklaart de volgende overeenstemming conform EU richtlijn en normen voor het product
 declara la siguiente conformidad a tenor de la directiva y normas de la UE para el artículo
 declara a seguinte conformidade, de acordo com a directiva CE e normas para o artigo
 atterer følgende overensstemmelse i medfør af EU-direktiv samt standarder for artikel
 förklarar följande överensstämmelse enl. EU-direktiv och standarder för artikeln
 vakuuttaa, että tuote täyttää EU-direktiivin ja standardien vaatimukset
 tõendab toote vastavust EL direktiivile ja standarditele
 vydává následující prohlášení o shodě podle směrnice EU a norem pro výrobek
 potrjuje sledečo skladnost s smernico EU in standardi za izdelek
 vydáva nasledujúce prehlásenie o zhode podľa smernice EÚ a noriem pre výrobok
 a cikkekez az EU-irányvonal és Normák szerint a következő konformitást jelenti ki
 deklaruje zgodność wymienionego poniżej artykułu z następującymi normami na podstawie dyrektywy WE.
 декларира съответното съответствие съгласно Директива на ЕС и норми за артикул
 paskaidro šādu atbilstību ES direktīvai un standartiem
 apibūdina šj atitikimą EU reikalavimams ir prekės normoms
 declară următoarea conformitate conform directivei UE și normelor pentru articolul
 δηλώνει την ακόλουθη συμμόρφωση σύμφωνα με την Οδηγία ΕΚ και τα πρότυπα για το προϊόν
 potvrđuje sljedeću usklađenost prema smjernicama EU i normama za artikl
 Izjava o sukladnosti za ovaj proizvod dostupna je na internet stranici www.lidl.hr.
 potvrđuje sljedeću usklađenost prema smjernicama EU i normama za artikl
 potvrđuje sledeću usklađenost prema smernicama EZ i normama za artikal
 следующим удостоверяется, что следующие продукты соответствуют директивам и нормам ЕС
 проголошує про зазначену нижче відповідність виробу директивам та стандартам ЄС на виріб
 Ürünü ile ilgili AB direktifleri ve normları gereğince aşağıda açıklanan uygunluğu belirtir
 erklærer følgende samsvar i henhold til EU-direktivet og standarder for artikkel
 Lýsir uppfyllingu EU-reglna og annarra staða vöru

Stromerzeuger PSE 2800 A1 (Parkside)

- 87/404/EC_2009/105/EC
 2005/32/EC_2009/125/EC
 2006/95/EC
 2006/28/EC
 2004/108/EC
 2004/22/EC
 1999/5/EC
 97/23/EC
 90/396/EC_2009/142/EC
 89/686/EC_96/58/EC
- 2006/42/EC
 Annex IV
 Notified Body:
 Notified Body No.:
 Reg. No.:
- 2000/14/EC_2005/88/EC
 Annex V
 Annex VI
 Noise: measured $L_{WA} = 94,6$ dB (A); guaranteed $L_{WA} = 96$ dB (A)
 P = KW; LØ = cm
 Notified Body: TÜV SÜD Industrie Service GmbH, Westendstrasse 199,
 80686 München, Deutschland (Notified Body 0036)
- 2004/26/EC
 Emission No.: e11*97/68SA*2004/26*1338*00

Standard references: EN 12601; EN 55012; EN 61000-6-1

Landau/Isar, den 01.09.2010

Weichselgartner/General Manager

Hongjie/Product-Management

First CE: 09
 Art.-No.: 41.524.15 I.-No.: 11020
 Subject to change without notice

Archive-File/Record: 4152410-06-4155050-09
 Documents registrar: Robert Mayn
 Wiesenweg 22, D-94405 Landau/Isar

13. ΕΓΓΥΗΣΗ

Αξιότιμη πελάτισσα, αξιότιμε πελάτη,

Τα προϊόντα μας υπόκεινται σε αυστηρούς ελέγχους ποιότητας. Εάν παρ'όλα αυτά κάποτε δεν λειτουργήσουν άψογα, λυπούμαστε πολύ και σας παρακαλούμε να αποτανθείτε προς το τμήμαμας Εξυπηρέτησης Πελατών, στη διεύθυνση που αναφέρετε σε αυτή την εγγύηση. Ευχαρίστως σας βοηθούμε και τηλεφωνικώς στον αριθμό που αναφέρετε πιο κάτω. Για την κατίσχυση των αξιώσεων εγγύησης ισχύουν τα εξής:

1. Αυτοί οι όροι εγγύησης ρυθμίζουν πρόσθετες παροχές εγγύησης. Από την εγγύηση αυτή δεν θίγονται οι νόμιμες αξιώσεις σας για εγγύηση. Η παροχή της εγγύησής μας είναι για σας δωρεάν.
2. Η εγγύηση καλύπτει αποκλειστικά και μόνο βλάβες που οφείλονται σε ελαττώματα υλικών ή παραγωγής και περιορίζονται στην αποκατάσταση αυτών των ελαττωμάτων ή την αντικατάσταση της συσκευής. Παρακαλούμε να προσέξετε πως οι συσκευές μας δεν προορίζονται για τη βιομηχανία, τη βιοτεχνία και την επαγγελματική χρήση. Για το λόγο αυτό δεν υφίσταται σύμβαση εγγύησης σε περίπτωση χρήσης της συσκευής στη βιομηχανία, βιοτεχνία, για επαγγελματικό ή άλλο παρόμοιο σκοπό. Από την εγγύησή μας αποκλείονται πέραν τούτου αποζημιώσεις για βλάβες μεταφοράς, βλάβες οφειλόμενες σε μη τήρηση της Οδηγίας συναρμολόγησης, ή σε εσφαλμένη εγκατάσταση, μη τήρηση της Οδηγίας χρήσης (π.χ. σύνδεση σε λάθος τάση δικτύου ή είδος ρεύματος), καταχρηστική ή όχι ορθή χρήση (π.χ. υπερφόρτωση ή χρήση μη εγκεκριμένων ανταλλακτικών εργαλείων ή εξαρτημάτων), μη τήρηση των Υποδείξεων συντήρησης και ασφαλείας, είσοδος ξένων αντικειμένων στη συσκευή (όπως π.χ. άμμος ή σκόνη), χρήση βίας ή εξωτερική επίδραση (όπως π.χ. βλάβες από πτώση) καθώς και βλάβες που οφείλονται σε κοινή φθορά.
3. Η αξίωση εγγύησης εκπίπτει σε περίπτωση που έγιναν ήδη ξένες επεμβάσεις στη συσκευή.
4. Η διάρκεια της εγγύησης ανέρχεται σε 3 έτη και αρχίζει από την ημερομηνία αγοράς της συσκευής. Οι αξιώσεις εγγύησης πρέπει να κατισχυθούν πριν την πάροδο της προθεσμίας της εγγύησης εντός δύο εβδομάδων από την διαπίστωση του ελαττώματος. Αποκλείεται η κατίσχυση αξιώσεων εγγύησης μετά την πάροδο της προθεσμίας της εγγύησης. Η επισκευή ή η αντικατάσταση της συσκευής δεν συνεπάγεται ούτε την επέκταση της διάρκειας της εγγύησης ούτε την έναρξη νέας προθεσμίας εγγύησης για τη συσκευή ή τα ενδεχομένως τοποθετηθέντα εξαρτήματα. Το ίδιο ισχύει και σε περίπτωση σέρβις επί τόπου.
5. Για την κατίσχυση της αξίωσης της εγγύησης σας παρακαλούμε να μας αποστείλετε τη συσκευή, χωρίς επιβάρυνσή μας με ταχυδρομικά τέλη, στην πιο κάτω αναφερόμενη διεύθυνση. Μη ξεχάσετε να επισυνάψετε το πρωτότυπο της απόδειξης αγοράς ή άλλο ισχύον αποδεικτικό αγοράς. Για το λόγο αυτό σας παρακαλούμε να φυλάξετε καλά την απόδειξη του ταμείου! Παρακαλούμε επίσης να μας περιγράψετε την αιτία για την διαμαρτυρία σας όσο πιο αναλυτικά γίνεται. Εάν το ελάττωμα της συσκευής σας καλύπτεται από την εγγύησή μας, είτε θα σας επιστραφεί ταχύτατα η επισκευασμένη συσκευή σας, είτε θα λάβετε μία νέα συσκευή.

Φυσικά επισκευάζουμε ευχαρίστως έναντι αμοιβής και ελαττώματα στη συσκευή σας που δεν καλύπτονται ή δεν καλύπτονται πλέον από την εγγύηση. Για το σκοπό αυτό σας παρακαλούμε να αποστείλετε τη συσκευή σας στη διεύθυνση του τμήματος μας για Εξυπηρέτηση Πελατών.

EINHELL Hellas A. E.

Lasithiou Str. 4

14342 Nea Philadelphia

Tel. 0210 2776871 · Fax 0210 2776871

Inhaltsverzeichnis	Seite
1. Einleitung	54
2. Sicherheitshinweise	54-55
3. Gerätebeschreibung	55
4. Bestimmungsgemäße Verwendung	56
5. Technische Daten	56
6. Vor Inbetriebnahme	57
7. Bedienung	57-58
8. Reinigung, Wartung, Lagerung, Transport und Ersatzteilbestellung	58-60
9. Entsorgung und Wiederverwertung	60
10. Fehlersuchplan	61
11. Wartungsplan	62
12. Konformitätserklärung	63
13. Garantieurkunde	64

Der Nachdruck oder sonstige Vervielfältigung von Dokumentation und Begleitpapieren der Produkte, auch auszugsweise ist nur mit ausdrücklicher Zustimmung der ISC GmbH zulässig.

Technische Änderungen vorbehalten

1. Einleitung

⚠ Achtung!

Beim Benutzen von Geräten müssen einige Sicherheitsvorkehrungen eingehalten werden, um Verletzungen und Schäden zu verhindern. Lesen Sie diese Bedienungsanleitung / Sicherheitshinweise deshalb sorgfältig durch. Bewahren Sie diese gut auf, damit Ihnen die Informationen jederzeit zur Verfügung stehen. Falls Sie das Gerät an andere Personen übergeben, händigen Sie diese Bedienungsanleitung / Sicherheitshinweise bitte mit aus. Wir übernehmen keine Haftung für Unfälle oder Schäden, die durch Nichtbeachten dieser Anleitung und den Sicherheitshinweisen entstehen.

2. Sicherheitshinweise

- Es dürfen keine Veränderungen am Stromerzeuger vorgenommen werden.
- Es dürfen für Wartung und Zubehör nur Originalteile verwendet werden.
- Achtung: Vergiftungsgefahr, Abgase, Kraftstoffe und Schmierstoffe sind giftig, Abgase dürfen nicht eingeatmet werden.
- Kinder sind vom Stromerzeuger fernzuhalten.
- Achtung: Verbrennungsgefahr, Abgasanlage und Antriebsaggregat nicht berühren.
- Benutzen Sie einen geeigneten Gehörschutz, wenn Sie sich in der Nähe des Gerätes befinden.
- Achtung: Benzin und Benzindämpfe sind leicht entzündlich bzw. explosiv.
- Den Stromerzeuger nicht in unbelüfteten Räumen oder in leicht entflammbarer Umgebung betreiben. Wenn der Stromerzeuger in gut belüfteten Räumen betrieben werden soll, müssen die Abgase über einen Abgasschlauch direkt ins Freie geleitet werden. Achtung: Auch beim Betrieb eines Abgasschlauches können giftige Abgase entweichen. Wegen der Brandgefahr, darf der Abgasschlauch niemals auf brennbare Stoffe gerichtet

werden.

- Explosionsgefahr: Den Stromerzeuger niemals in Räumen mit leicht entzündlichen Stoffen betreiben.
- Die voreingestellte Drehzahl des Herstellers darf nicht verändert werden. Stromerzeuger oder angeschlossene Geräte können beschädigt werden.
- Während des Transports ist der Stromerzeuger gegen Verrutschen und Kippen zu sichern.
- Den Stromerzeuger mindestens 1 m entfernt von Wänden oder angeschlossenen Geräten aufstellen.
- Dem Stromerzeuger einen sicheren, ebenen Platz geben. Drehen und Kippen oder Standortwechsel während des Betriebes ist verboten.
- Beim Transport und Auftanken den Motor stets abschalten.
- Darauf achten, dass beim Auftanken kein Kraftstoff auf den Motor oder Auspuff verschüttet wird.
- Stromerzeuger niemals bei Regen oder Schneefall betreiben.
- Den Stromerzeuger nie mit nassen Händen anfassen.
- Schützen Sie sich vor elektrischen Gefahren.
- Verwenden Sie im Freien nur dafür zugelassene und entsprechend gekennzeichnete Verlängerungskabel (H07RN..).
- Bei Verwendung von Verlängerungsleitungen darf deren Gesamtlänge für 1,5 mm² 50 m, für 2,5 mm² 100 m nicht überschreiten.
- An den Motor- und Generatoreinstellungen dürfen keine Veränderungen vorgenommen werden.
- Reparatur- und Einstellarbeiten dürfen nur durch autorisiertes Fachpersonal ausgeführt werden.
- Nicht in der Nähe von offenem Licht, Feuer oder Funkenflug betanken, bzw. den Tank entleeren. Nicht rauchen!
- Berühren Sie keine mechanisch bewegten oder heißen Teile. Entfernen Sie keine Schutzabdeckungen.

- Die Geräte dürfen keiner Feuchtigkeit oder Staub ausgesetzt werden. Zulässige Umgebungstemperatur -10 bis +40°, Höhe: 1000 m über NN, rel. Luftfeuchtigkeit: 90 % (nicht kondensierend).
- Der Stromerzeuger wird von einem Verbrennungsmotor angetrieben, der im Bereich des Auspuffes (auf der gegenüber liegenden Seite der Steckdose) und Auspuffaustritts Hitze erzeugt. Meiden Sie die Nähe dieser Oberflächen wegen der Gefahr von Hautverbrennungen.
- Bei den technischen Daten unter Schalleistungspegel (LWA) und Schalldruckpegel (LpA) angegebene Werte stellen Emissionspegel dar und sind nicht zwangsläufig sichere Arbeitspegel. Da es einen Zusammenhang zwischen Emissions- und Immissionspegeln gibt, kann dieser nicht zuverlässig zur Bestimmung eventuell erforderlicher, zusätzlicher Vorsichtsmaßnahmen herangezogen werden. Einflussfaktoren auf den aktuellen Immissionspegel der Arbeitskraft schließen die Eigenschaften des Arbeitsraumes, andere Geräuschquellen, etc., wie z.B. die Anzahl der Maschinen und anderer angrenzender Prozesse und die Zeitspanne, die ein Bediener dem Lärm ausgesetzt ist, ein. Ebenfalls kann der zulässige Immissionspegel von Land zu Land abweichen. Dennoch wird diese Information dem Betreiber der Maschine die Möglichkeit bieten, eine bessere Abschätzung der Risiken und Gefährdungen durchzuführen.

Achtung: Verwenden Sie ausschließlich bleifreies Normal-Benzin als Kraftstoff.

⚠ WARNUNG

Lesen Sie alle Sicherheitshinweise und Anweisungen. Versäumnisse bei der Einhaltung der Sicherheitshinweise und Anweisungen können elektrischen Schlag, Brand und/oder schwere Verletzungen zur Folge haben.

Bewahren Sie alle Sicherheitshinweise und Anweisungen für die Zukunft auf.

Erklärung der Hinweisschilder auf dem Gerät (Bild 15)

1. **Achtung!** Bedienungsanleitung lesen.
2. **Achtung!** Heiße Teile. Abstand halten.
3. **Achtung!** Während des Tankens Motor abstellen.
4. **Achtung!** Nicht in unbelüfteten Räumen betreiben.

3. Gerätebeschreibung (Abb. 1-5)

- 1 Tankanzeige
- 2 Tankdeckel
- 3 2 x 230 V~ Steckdosen
- 4 Erdungsanschluss
- 5 Überlastungsschutz
- 6 Voltmeter
- 7 Öleinfüllschraube
- 8 Ölablassschraube
- 9 Ölmangelsicherung
- 10 Ein-/Ausschalter
- 11 Chokehebel
- 12 Reversierstarteinrichtung
- 13 Benzinhahn
- 14 Räder
- 15 Radachse
- 16 Standfuß
- 17 Schubbügelhalter
- 18 Schubbügel
- 19 Schrauben M8x40
- 20 Schrauben M8x16
- 21 Unterlegscheiben für Räder
- 22 Sicherungssplinte für Räder
- 23 Muttern M8
- 24 Schraubendreher
- 25 Zündkerzenschlüssel
- 26 Öleinfülltrichter

DE/AT/
CH

4. Bestimmungsgemäße Verwendung

Das Gerät ist für Anwendungen, welche einen Betrieb an einer 230 V

Wechselspannungsquelle vorsehen, geeignet. Beachten Sie unbedingt die Einschränkungen in den Sicherheitshinweisen. Zweck des Generators ist der Antrieb von Elektrowerkzeugen und die Stromversorgung von Beleuchtungsquellen. Bei Haushaltsgeräten prüfen Sie bitte die Eignung nach den jeweiligen Herstellerangaben. Fragen Sie im Zweifel einen autorisierten Fachhändler des jeweiligen Gerätes.

Die Maschine darf nur nach ihrer Bestimmung verwendet werden. Jede weitere darüber hinausgehende Verwendung ist nicht bestimmungsgemäß. Für daraus hervorgerufene Schäden oder Verletzungen aller Art haftet der Benutzer/Bediener und nicht der Hersteller.

Bitte beachten Sie, dass unsere Geräte bestimmungsgemäß nicht für den gewerblichen, handwerklichen oder industriellen Einsatz konstruiert wurden. Wir übernehmen keine Gewährleistung, wenn das Gerät in Gewerbe-, Handwerks- oder Industriebetrieben sowie bei gleichzusetzenden Tätigkeiten eingesetzt wird.

5. Technische Daten

Generator:	Synchron
Schutzart:	IP23
Dauerleistung P_{nenn} (S1):	2600 W
Maximalleistung P_{max} (S2 2 min):	2800 W
Nennspannung U_{nenn} :	2 x 230V~
Nennstrom I_{nenn} :	11,3 A
Frequenz F_{nenn} :	50 Hz
Bauart Antriebsmotor:	4 Takt luftgekühlt
Hubraum:	207,7 cm ³
Kraftstoff:	Benzin
Tankinhalt:	15 l
Motoröl:	ca. 0,6 l (15W40)
Verbrauch bei 2/3 Last:	ca. 1,36 l/h
Gewicht:	42,5 kg
Schalldruckpegel L_{pA} :	76 dB(A)
Schalleistungspegel L_{WA} :	96 dB(A)
Unsicherheit K	1,4 dB (A)
Leistungsfaktor $\cos \varphi$:	1
Leistungsklasse:	G1
Temperatur max:	40°C
Max. Aufstellhöhe (üNN):	1000 m
Zündkerze:	F7 RTC

Betriebsart S1 (Dauerbetrieb)

Die Maschine kann dauerhaft mit der angegebenen Leistung betrieben werden.

Betriebsart S2 (Kurzzeitbetrieb)

Die Maschine darf kurzzeitig mit der angegebenen Leistung betrieben werden (2 min).

6. Vor Inbetriebnahme

6.1 Montage

Zur Montage des Gerätes benötigen Sie zwei Gabelschlüssel (Schlüsselweite 12)

- Montieren Sie den Standfuß (16), die Räder (14) und den Schubbügel (18) wie in den Bildern 6-9 dargestellt.
- Montieren Sie alle Teile bevor Sie Kraftstoff und Öl einfüllen, um ein Auslaufen von Flüssigkeiten zu vermeiden.
- Zum Montieren der Räder schieben Sie zuerst die Radachse (15) durch die Halterungen auf der Unterseite des Stromerzeugers und montieren die Räder (14) wie auf Bild 7 dargestellt.
- Achten Sie bei der Montage des Schubbügels (18) darauf, dass die schräge Seite (Abb. 9/Pos. E) nach außen gerichtet ist, um die korrekte Klappfunktion zu gewährleisten.

6.2 Elektrische Sicherheit:

- Elektrische Zuleitungen und angeschlossene Geräte müssen in einem einwandfreien Zustand sein.
- Es dürfen nur Geräte angeschlossen werden, deren Spannungsangabe mit der Ausgangsspannung des Stromerzeugers übereinstimmt.
- Niemals den Stromerzeuger mit dem Stromnetz (Steckdose) verbinden.
- Die Leitungslängen zum Verbraucher sind möglichst kurz zu halten.

6.3 Umweltschutz

- verschmutztes Wartungsmaterial und Betriebsstoffe in einer dafür vorgesehenen Sammelstelle abgeben.
- Verpackungsmaterial, Metall und Kunststoffe dem Recycling zuführen.

6.4 Erdung

Zur Ableitung statischer Aufladungen ist eine Erdung des Gehäuses nötig. Hierzu ein Kabel auf der einen Seite am Erdungsanschluss des Stromerzeugers (Abb. 3/Pos. 4) und auf der anderen Seite mit einer externen Masse (z. B. Staberder) verbinden.

7. Bedienung

Achtung! Bei Erstinbetriebnahme muss Motorenöl (ca. 0,6 l) und Kraftstoff eingefüllt werden.

- Kraftstoffstand und Motorenöl prüfen, eventuell nachfüllen.
- Für ausreichende Belüftung des Geräts sorgen.
- Vergewissern Sie sich, dass das Zündkabel an der Zündkerze befestigt ist.
- Die unmittelbare Umgebung des Stromerzeugers begutachten.
- Eventuell angeschlossenes elektrisches Gerät vom Stromerzeuger trennen.

7.1 Motor starten

Achtung!

Beim Starten mit dem Reversierstarter (12) kann es durch plötzlichen Rückschlag, verursacht durch den anlaufenden Motor, zu Verletzungen an der Hand kommen. Tragen Sie zum Starten Schutzhandschuhe.

- Benzinhahn (13) öffnen; hierfür den Hahn nach unten drehen.
- Ein-/Ausschalter (10) auf Stellung "ON" bringen.
- Chokehebel (11) auf Stellung I Ø I bringen
- Den Motor mit dem Reversierstarter (12) starten; hierfür am Griff kräftig anziehen. Sollte der Motor nicht gestartet haben, nochmals am Griff anziehen.
- Chokehebel (11) nach dem Starten des Motors wieder zurückschieben.

DE/AT/
CH

7.2 Belasten des Stromerzeugers

- Zu betreibende Geräte an die 230 V~ Steckdosen (3) anschließen.

Achtung: Diese Steckdosen dürfen dauernd (S1) mit 2600W und kurzzeitig (S2) für max. 2 Minuten mit 2800W belastet werden.

- Der Stromerzeuger ist für 230 V~ Wechsellspannungsgeräte geeignet.
- Den Generator nicht an ein Haushaltsnetz anschließen, dadurch kann eine Beschädigung des Generators oder anderer Elektrogeräte im Haus verursacht werden.

Hinweis: Manche Elektrogeräte (Motorstichsägen, Bohrmaschinen usw.) können einen höheren Stromverbrauch haben, wenn sie unter erschwerten Bedingungen eingesetzt werden.

7.3 Motor abstellen

- Den Stromerzeuger kurz ohne Belastung laufen lassen, bevor Sie ihn abstellen, damit das Aggregat "nachkühlen" kann.
- Den Ein- /Ausschalter (10) auf Stellung "OFF" bringen.
- Den Benzinhahn (13) schließen.

7.4 Überlastungsschutz 2x 230 V Steckdosen

Achtung! Der Stromerzeuger ist mit einem Überlastungsschutz ausgestattet.

Dieser schaltet die Steckdosen (3) ab. Durch Drücken des Überlastungsschutzes (5) können die Steckdosen (3) wieder in Betrieb genommen werden.

Achtung! Sollte dieser Fall auftreten so reduzieren Sie die elektrische Leistung, welche Sie dem Stromerzeuger entnehmen oder entfernen Sie defekte angeschlossene Geräte.

Achtung! Defekte Überlastschalter dürfen nur durch baugleiche Überlastschalter mit gleichen Leistungsdaten ersetzt werden. Wenden Sie sich hierfür an Ihren Kundendienst.

8. Reinigung, Wartung, Lagerung, Transport und Ersatzteilbestellung

Stellen Sie vor allen Reinigungs- und Wartungsarbeiten den Motor ab und ziehen Sie den Zündkerzenstecker von der Zündkerze.

Achtung: Stellen Sie das Gerät sofort ab und wenden Sie sich an Ihre Service Station:

- Bei ungewöhnlichen Schwingungen oder Geräuschen.
- Wenn der Motor überlastet scheint oder Fehlzündungen hat.

8.1 Reinigung

- Halten Sie Schutzvorrichtungen, Luftschlitze (Abb. 2/Pos. L) und Motorengehäuse so staub- und schmutzfrei wie möglich. Reiben Sie das Gerät mit einem sauberen Tuch ab oder blasen Sie es mit Druckluft bei niedrigem Druck aus.
- Wir empfehlen, dass Sie das Gerät direkt nach jeder Benutzung reinigen.
- Reinigen Sie das Gerät regelmäßig mit einem feuchten Tuch und etwas Schmierseife. Verwenden Sie keine Reinigungs- oder Lösungsmittel; diese könnten die Kunststoffteile des Gerätes angreifen. Achten Sie darauf, dass kein Wasser in das Geräteinnere gelangen kann.

8.2 Luftfilter

Beachten Sie hierzu auch die Service-Informationen.

- Luftfilter regelmäßig reinigen, wenn nötig tauschen.
- Öffnen Sie die beiden Klammern (Abb. 11/A) und entfernen Sie den Luftfilterdeckel

(Abb. 11/B).

- Entnehmen Sie die Filterelemente (Abb. 12/C).
- Zum Reinigen der Elemente dürfen keine scharfen Reiniger oder Benzin verwendet werden.
- Die Elemente durch Ausklopfen auf einer flachen Fläche reinigen. Bei starker Verschmutzung mit Seifenlauge waschen, anschließend mit klarem Wasser ausspülen und an der Luft trocknen lassen.
- Der Zusammenbau erfolgt in umgekehrter Reihenfolge.

8.3 Zündkerze (Abb. 13-14)

Überprüfen Sie die Zündkerze erstmals nach 20 Betriebsstunden auf Verschmutzung und reinigen Sie diese gegebenenfalls mit einer Kupferdrahtbürste. Danach die Zündkerze alle 50 Betriebsstunden warten.

- Ziehen Sie den Zündkerzenstecker (Abb. 13) mit einer Drehbewegung ab.
- Entfernen Sie die Zündkerze (Abb. 14/D) mit dem beiliegenden Zündkerzenschlüssel (25).
- Der Zusammenbau erfolgt in umgekehrter Reihenfolge.

8.4 Ölwechsel, Ölstand prüfen (vor jedem Gebrauch)

Der Motorölwechsel sollte bei betriebswarmen Motor durchgeführt werden.

- Nur Motorenöl (15W40) verwenden
- Stromerzeuger auf geeigneter Unterlage leicht schräg gegen die Ölablassschraube (8) abstellen.
- Öleinfüllschraube (7) öffnen
- Ölablassschraube öffnen und warmes Motorenöl in einen Auffangbehälter ablassen
- Nach Auslaufen des Altöls Ölablassschraube schließen und Stromerzeuger wieder eben aufstellen.
- Motoröl bis zur oberen Markierung des Ölmesstabs einfüllen (ca. 0,6 l).
- Achtung: Ölmesstab (Öleinfüllschraube) zum Prüfen des Ölstandes nicht einschrauben sondern nur bis zum Gewinde einstecken.
- Das Altöl muss ordentlich entsorgt werden.

8.5 Ölabschaltautomatik

Die Ölabschaltautomatik spricht an, wenn zu wenig Motoröl vorhanden ist. Der Motor kann in diesem Fall nicht gestartet werden oder stellt sich nach kurzer Zeit automatisch ab. Ein Starten ist erst nach Auffüllen von Motoröl (siehe Punkt 8.4) möglich.

8.6 Vorbereitung für das Einlagern

Warnhinweis: Entfernen Sie das Benzin nicht in geschlossenen Räumen, in der Nähe von Feuer oder beim Rauchen. Gasdämpfe können Explosionen oder Feuer verursachen.

- Entleeren Sie den Benzintank mit einer Benzin Absaugpumpe.
- Starten Sie den Motor und lassen Sie den Motor solange laufen bis das restliche Benzin verbraucht ist.
- Machen Sie nach jeder Saison einen Ölwechsel. Dazu entfernen Sie das alte Motoröl vom warmen Motor und füllen neues nach.
- Entfernen Sie die Zündkerze (Abb. 14/Pos. D). Füllen Sie mit einer Ölkanne ca. 20 ml Öl in den Zylinder. Ziehen Sie den Startseilzug langsam, so dass das Öl den Zylinder innen schützt. Schrauben Sie die Zündkerze wieder ein.
- Reinigen Sie das ganze Gerät, um die Lackfarbe zu schützen.
- Bewahren Sie das Gerät an einem gutgelüfteten Platz oder Ort auf.

8.7 Vorbereitung für den Transport

- Entleeren Sie den Benzintank mit einer Benzin Absaugpumpe.
- Lassen Sie den Motor solange laufen bis das restliche Benzin verbraucht ist.
- Entleeren Sie das Motoröl vom warmen Motor.
- Entfernen Sie den Zündkerzenstecker (Abb. 13) von der Zündkerze.
- Sichern Sie das Gerät zum Beispiel mit Spanngurten gegen Verrutschen.

DE/AT/
CH

8.8 Ersatzteilbestellung

Bei der Ersatzteilbestellung sollten folgende Angaben gemacht werden:

- Typ des Gerätes
- Artikelnummer des Gerätes
- Ident- Nummer des Gerätes

Aktuelle Preise und Infos finden Sie unter www.isc-gmbh.info

und Hilfsmittel ohne Elektrobestandteile.

9. Entsorgung und Wiederverwertung

Das Gerät befindet sich in einer Verpackung um Transportschäden zu verhindern. Diese Verpackung ist Rohstoff und ist somit wieder verwendbar oder kann dem Rohstoffkreislauf zurückgeführt werden. Das Gerät und dessen Zubehör bestehen aus verschiedenen Materialien, wie z.B. Metall und Kunststoffe. Führen Sie defekte Bauteile der Sondermüllentsorgung zu. Fragen Sie im Fachgeschäft oder in der Gemeindeverwaltung nach!



Nur für EU-Länder

Werfen Sie Elektrowerkzeuge nicht in den Hausmüll!

Gemäß europäischer Richtlinie 2002/96/EG über Elektro- und Elektronik-Altgeräte und Umsetzung in nationales Recht müssen verbrauchte Elektrowerkzeuge getrennt gesammelt werden und einer umweltgerechten Wiederverwertung zugeführt werden.

Recycling-Alternative zur Rücksendeauforderung:

Der Eigentümer des Elektrogerätes ist alternativ anstelle Rücksendung zur Mitwirkung bei der sachgerechten Verwertung im Falle der Eigentumsaufgabe verpflichtet. Das Altgerät kann hierfür auch einer Rücknahmestelle überlassen werden, die eine Beseitigung im Sinne der nationalen Kreislaufwirtschafts- und Abfallgesetze durchführt. Nicht betroffen sind den Altgeräten beigefügte Zubehörteile

10. Fehlersuchplan

Störung	Ursache	Maßnahme
Motor kann nicht gestartet werden	Ölabschaltautomatik spricht an	Ölstand prüfen, Motoröl auffüllen
	Zündkerze verrußt	Zündkerze reinigen, bzw. tauschen. Elektrodenabstand 0,6 mm
	kein Kraftstoff	Kraftstoff nachfüllen / Benzinhahn überprüfen lassen
Generator hat zu wenig oder keine Spannung	Regler oder Kondensator defekt	Fachhändler aufsuchen
	Überstromschutzschalter ausgelöst	Schalter betätigen und Verbraucher verringern
	Luftfilter verschmutzt	Filter reinigen oder ersetzen

DE/AT/
CH

11. Wartungsplan

Die nachfolgenden Wartungsfristen unbedingt einhalten, um den störungsfreien Betrieb sicherzustellen. **Achtung! bei Erstinbetriebnahme muss Motorenöl und Kraftstoff eingefüllt werden.**

	vor jeden Gebrauch	nach einer Betriebszeit von 20 Stunden	nach einer Betriebszeit von 50 Stunden	nach einer Betriebszeit von 100 Stunden	nach einer Betriebszeit von 300 Stunden
Überprüfung des Motoröls	X				
Wechseln des Motoröls		erstmalig, dann alle 50 Stunden	X		
Überprüfung des Luftfilters	X				Evtl. Filtereinsatz wechseln
Reinigung des Luftfilters			X		
Reinigung des Benzinfilters				X	
Sichtprüfung am Gerät	X				
Reinigen der Zündkerze			Abstand: 0,6 mm, Evtl. erneuern		
Prüfen und Wiedereinstellen der Drosselklappe am Vergaser					X*
Reinigen des Zylinderkopfes					X*
Ventilspiel einstellen					X*

Achtung: Die Punkte "x*" nur bei einem autorisierten Fachbetrieb durchführen lassen.

12. Konformitätserklärung

Einhell Germany AG · Wiesenweg 22 · D-94405 Landau/Isar



Konformitätserklärung

- (C)** erklärt folgende Konformität gemäß EU-Richtlinie und Normen für Artikel
- (EN)** explains the following conformity according to EU directives and norms for the following product
- (F)** déclare la conformité suivante selon la directive CE et les normes concernant l'article
- (I)** dichiara la seguente conformità secondo la direttiva UE e le norme per l'articolo
- (NL)** verklaart de volgende overeenstemming conform EU richtlijn en normen voor het product
- (E)** declara la siguiente conformidad a tenor de la directiva y normas de la UE para el artículo
- (P)** declara a seguinte conformidade, de acordo com a directiva CE e normas para o artigo
- (DK)** atterer følgende overensstemmelse i medfør af EU-direktiv samt standarder for artikel
- (S)** förklarar följande överensstämmelse enl. EU-direktiv och standarder för artikeln
- (FIN)** vakuuttaa, että tuote täyttää EU-direktiivin ja standardien vaatimukset
- (EL)** төэндэб тооге vastavust EL direktiivile ja standarditele
- (CZ)** vydává následující prohlášení o shodě podle směrnice EU a norem pro výrobek
- (SK)** potvrjuje sledečo skladnost s smernico EU in standardi za izdelek
- (HU)** ydává následující prohlášení o zhode podľa smernice EÚ a noriem pre výrobok
- (H)** a cikkekez az EU-irányvonal és Normák szerint a következő konformitást jelenti ki
- (PL)** deklaruje zgodność wymienionego poniżej artykułu z następującymi normami na podstawie dyrektywy WE.
- (BG)** декларира съответното съответствие съгласно Директива на ЕС и норми за артикул
- (HR)** paskaidro šadu atbilstību ES direktīvai un standartiem
- (LV)** apibūdina šj atitikimą EU reikalavimams ir prekės normoms
- (RO)** declară următoarea conformitate conform directivei UE și normelor pentru articolul
- (GR)** δηλώνει την ακόλουθη συμμόρφωση σύμφωνα με την Οδηγία ΕΚ και τα πρότυπα για το προϊόν
- (SI)** potrđuje sljedeću usklađenost prema smjernicama EU i normama za artikl
Izjava o sukladnosti za ovaj proizvod dostupna je na internet stranici www.lidl.hr.
- (MT)** potrđuje sljedeću usklađenost prema smjernicama EU i normama za artikl
- (CY)** potrđuje sledeću usklađenost prema smernicama EZ i normama za artikal
- (BG)** следующим удостоверяется, что следующие продукты соответствуют директивам и нормам ЕС
- (HU)** proglóshuє pro záznačenu nižče vđповідність виробу директивам та стандартам ЄС на виріб
- (TR)** Ürünü ile ilgili AB direktifleri ve normları gereğince aşağıda açıklanan uygunluğu belirtir
- (DK)** erklærer følgende samsvar i henhold til EU-direktivet og standarder for artikkel
- (IS)** Lýsir uppfyllingu EU-reglna og annarra staða vöru

Stromerzeuger PSE 2800 A1 (Parkside)

- 87/404/EC_2009/105/EC
- 2005/32/EC_2009/125/EC
- 2006/95/EC
- 2006/28/EC
- 2004/108/EC
- 2004/22/EC
- 1999/5/EC
- 97/23/EC
- 90/396/EC_2009/142/EC
- 89/686/EC_96/58/EC
- 2006/42/EC
- Annex IV
Notified Body:
Notified Body No.:
Reg. No.:
- 2000/14/EC_2005/88/EC
- Annex V
- Annex VI
Noise: measured $L_{WA} = 94,6$ dB (A); guaranteed $L_{WA} = 96$ dB (A)
P = KW; LØ = cm
Notified Body: TÜV SÜD Industrie Service GmbH, Westendstrasse 199,
80686 München, Deutschland (Notified Body 0036)
- 2004/26/EC
Emission No.: e11*97/68SA*2004/26*1338*00

Standard references: EN 12601; EN 55012; EN 61000-6-1

Landau/Isar, den 01.09.2010

Weichselgartner/General Manager

Hongjie/Product-Management

First CE: 09
Art.-No.: 41.524.15 I.-No.: 11020
Subject to change without notice

Archive-File/Record: 4152410-06-4155050-09
Documents registrar: Robert Mayn
Wiesenweg 22, D-94405 Landau/Isar

13. GARANTIEURKUNDE

Sehr geehrte Kundin, sehr geehrter Kunde,

unsere Produkte unterliegen einer strengen Qualitätskontrolle. Sollte dieses Gerät dennoch einmal nicht einwandfrei funktionieren, bedauern wir dies sehr und bitten Sie, sich an unseren Servicedienst unter der auf dieser Garantiekarte angegebenen Adresse zu wenden. Gern stehen wir Ihnen auch telefonisch über die unten angegebene Servicrufnummer zur Verfügung. Für die Geltendmachung von Garantieansprüchen gilt Folgendes:

1. Diese Garantiebedingungen regeln zusätzliche Garantieleistungen. Ihre gesetzlichen Gewährleistungsansprüche werden von dieser Garantie nicht berührt. Unsere Garantieleistung ist für Sie kostenlos.
2. Die Garantieleistung erstreckt sich ausschließlich auf Mängel, die auf Material- oder Herstellungsfehler zurückzuführen sind und ist auf die Behebung dieser Mängel bzw. den Austausch des Gerätes beschränkt. Bitte beachten Sie, dass unsere Geräte bestimmungsgemäß nicht für den gewerblichen, handwerklichen oder industriellen Einsatz konstruiert wurden. Ein Garantievertrag kommt daher nicht zustande, wenn das Gerät in Gewerbe-, Handwerks- oder Industriebetrieben sowie bei gleichzusetzenden Tätigkeiten eingesetzt wird.
Von unserer Garantie sind ferner Ersatzleistungen für Transportschäden, Schäden durch Nichtbeachtung der Montageanleitung oder aufgrund nicht fachgerechter Installation, Nichtbeachtung der Gebrauchsanleitung (wie durch z.B. Anschluss an eine falsche Netzspannung oder Stromart), missbräuchliche oder unsachgemäße Anwendungen (wie z.B. Überlastung des Gerätes oder Verwendung von nicht zugelassenen Einsatzwerkzeugen oder Zubehör), Nichtbeachtung der Wartungs- und Sicherheitsbestimmungen, Eindringen von Fremdkörpern in das Gerät (wie z.B. Sand, Steine oder Staub), Gewaltanwendung oder Fremdeinwirkungen (wie z. B. Schäden durch Herunterfallen) sowie durch verwendungsgemäßen, üblichen Verschleiß ausgeschlossen. Dies gilt insbesondere für Akkus, auf die wir dennoch eine Garantiezeit von 12 Monaten gewähren
Der Garantieanspruch erlischt, wenn an dem Gerät bereits Eingriffe vorgenommen wurden.
3. Die Garantiezeit beträgt 3 Jahre und beginnt mit dem Kaufdatum des Gerätes. Garantieansprüche sind vor Ablauf der Garantiezeit innerhalb von zwei Wochen, nachdem Sie den Defekt erkannt haben, geltend zu machen. Die Geltendmachung von Garantieansprüchen nach Ablauf der Garantiezeit ist ausgeschlossen. Die Reparatur oder der Austausch des Gerätes führt weder zu einer Verlängerung der Garantiezeit noch wird eine neue Garantiezeit durch diese Leistung für das Gerät oder für etwaige eingebaute Ersatzteile in Gang gesetzt. Dies gilt auch bei Einsatz eines Vor-Ort-Services.
4. Für die Geltendmachung Ihres Garantieanspruches übersenden Sie bitte das defekte Gerät portofrei an die unten angegebene Adresse. Fügen Sie den Verkaufsbeleg im Original oder einen sonstigen datierten Kaufnachweis bei. Bitte bewahren Sie deshalb den Kassenbon als Nachweis gut auf! Beschreiben Sie uns bitte den Reklamationsgrund möglichst genau. Ist der Defekt des Gerätes von unserer Garantieleistung erfasst, erhalten Sie umgehend ein repariertes oder neues Gerät zurück.

Selbstverständlich beheben wir gegen Erstattung der Kosten auch gerne Defekte am Gerät, die vom Garantiefumfang nicht oder nicht mehr erfasst sind. Dazu senden Sie das Gerät bitte an unsere Serviceadresse.



IAN: 61093 PSE 2800 A1

Einhell Germany AG

Wiesenweg 22

D-94405 Landau/Isar

Last Information Update · Stanje informacija

Състояние на информацията · Έκδοση των πληροφοριών

Stand der Informationen: 10/2010 Ident.-No.: 42.583.72 102010 - 7

