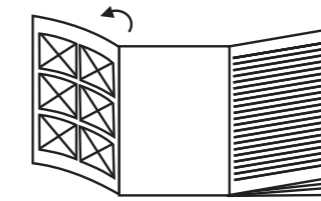


Original operating instructions
Dust Extraction System

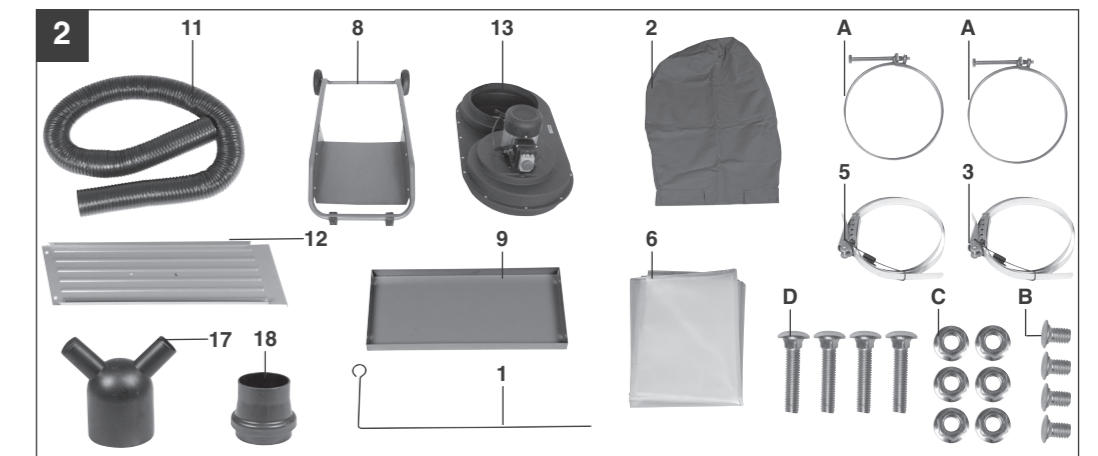
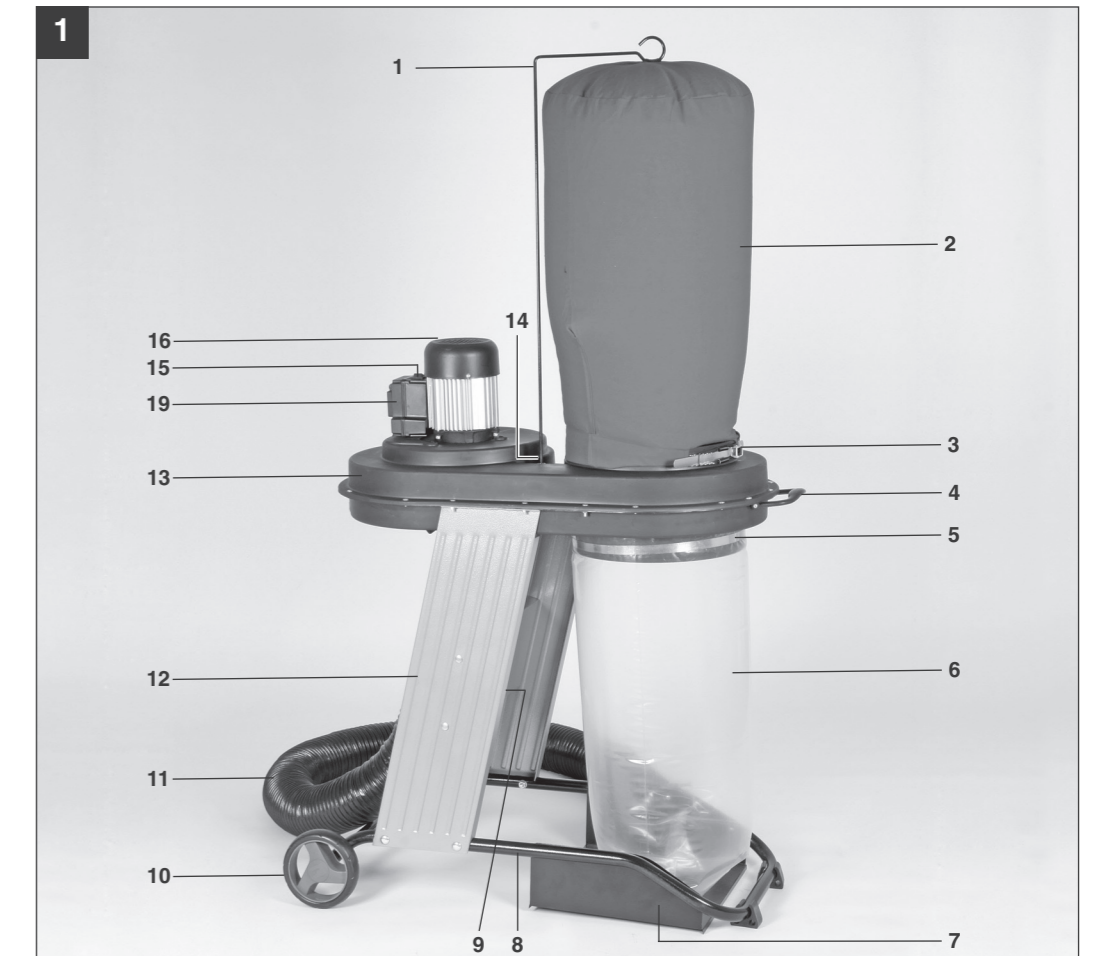
Einhell®



Please fold out page 2 - 5



Read and follow the operating instructions and safety information before using for the first time.



1

EH 02/2011 (01)

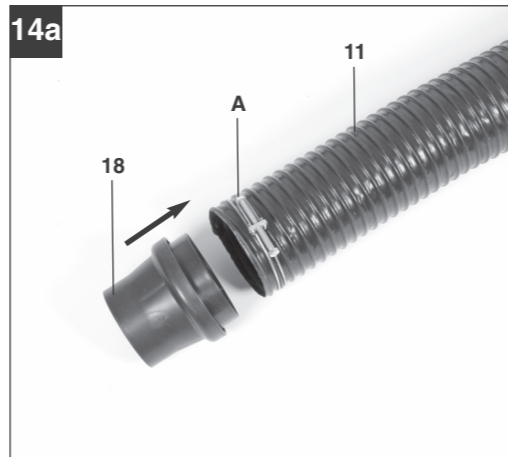
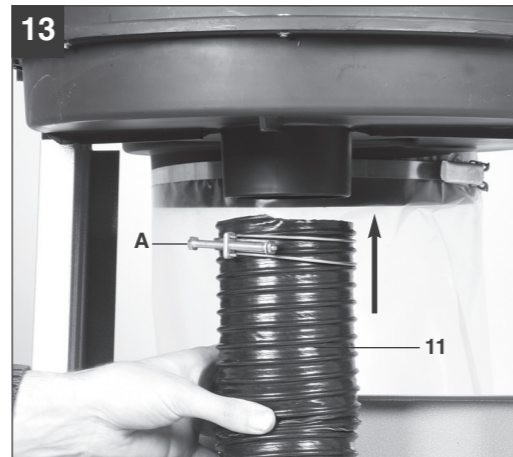
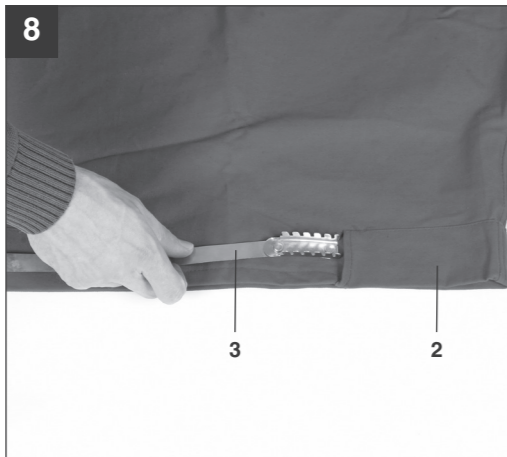
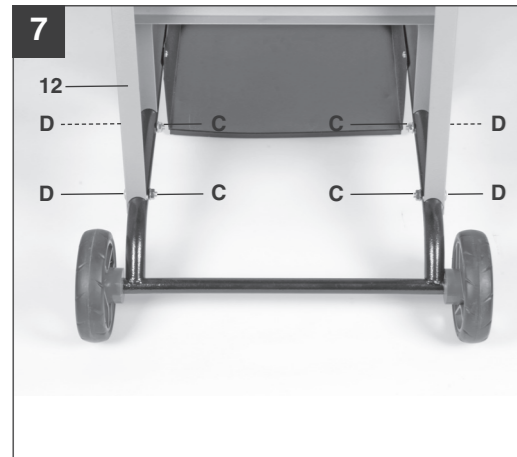
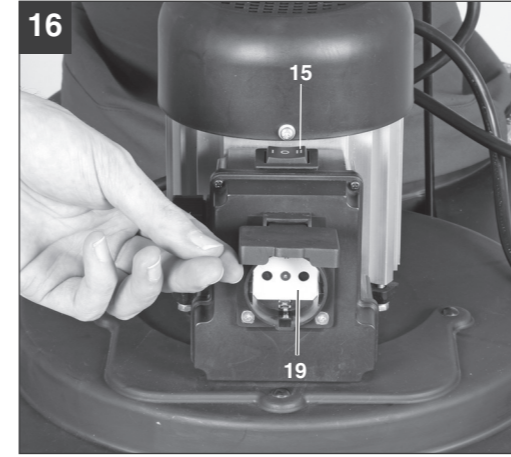
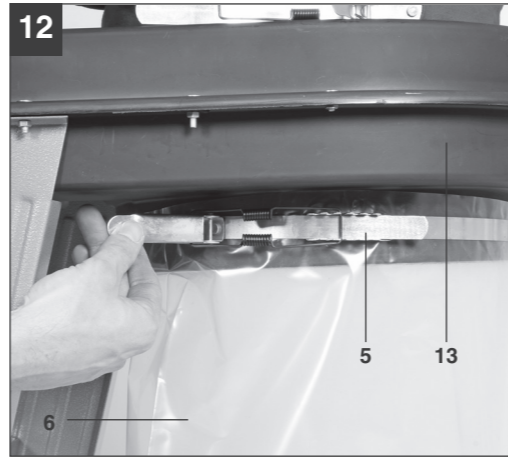
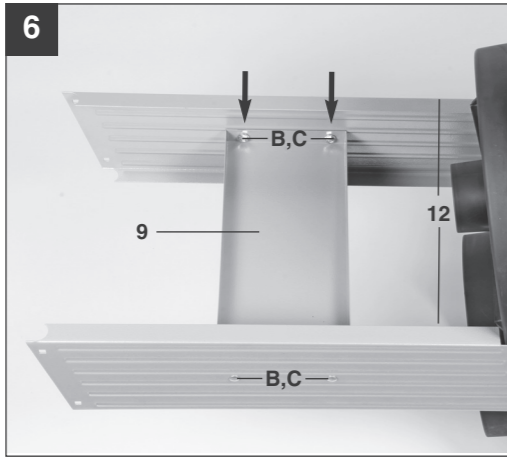
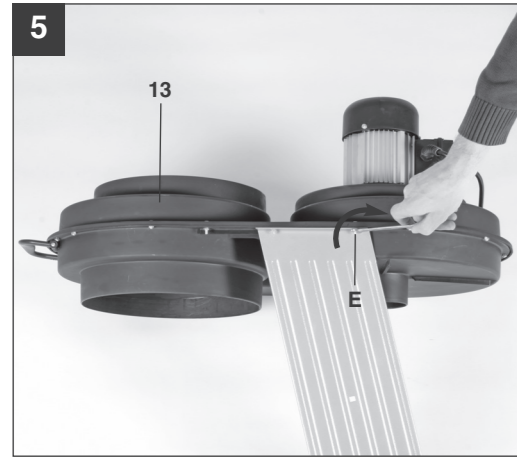
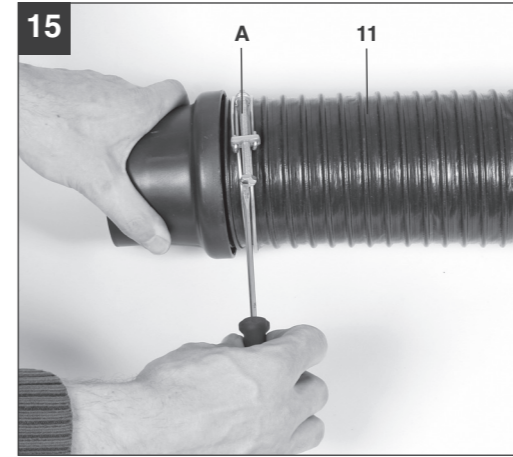
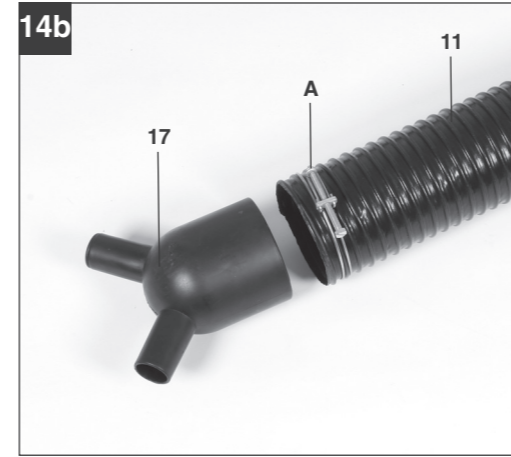
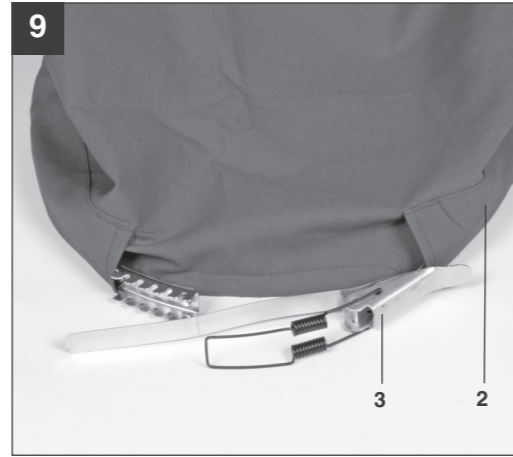
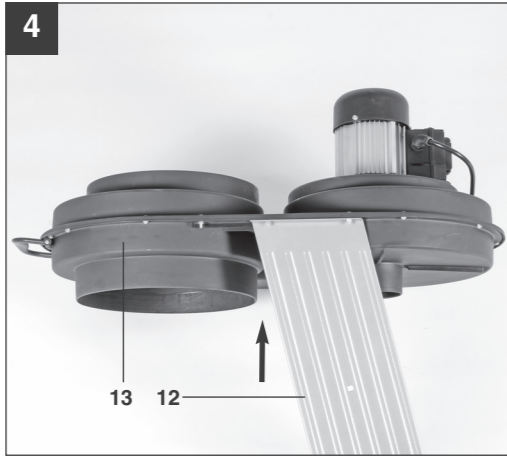
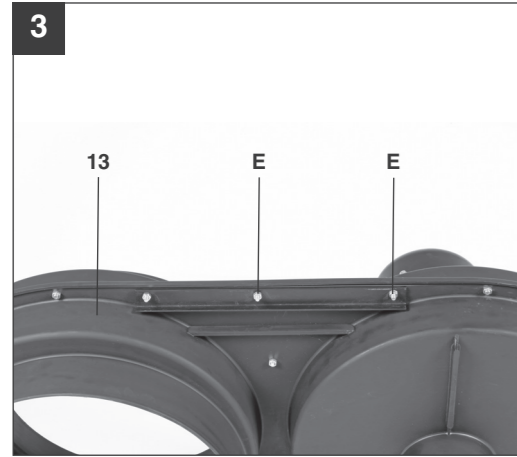
Art.-Nr.: 43.041.51

I.-Nr.: 11011

RT-VE **550 A**

2

3



4

5

6