



**florabest**



## Petrol Grass Trimmer FBS 43 A1

GB

### Petrol Grass Trimmer

Operation and Safety Notes  
Original operating instructions

CZ

### Benzínová kosa

Pokyny pro obsluhu a bezpečnostní pokyny  
Originální návod k obsluze

PL

### Kosa spalinowa

Wskazówki dotyczące obsługi i bezpieczeństwa  
Instrukcję oryginalną

SI

### Bencinska kosilnica z nitjo

Navodila za upravljanje in varnostna opozorila  
Originalna navodila za uporabo

SK

### Benzínový vyžinač

Pokyny pre obsluhu a bezpečnostné pokyny  
Originálny návod na obsluhu

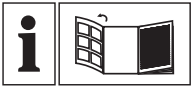
DE AT CH

### Benzin-Sense

Bedienungs- und Sicherheitshinweise  
Originalbetriebsanleitung

IAN 72317

SI CZ  
SK PL



**GB**

Before reading, unfold the page containing the illustrations and familiarise yourself with all functions of the device.

**SI**

Pred branjem stran s slikami odprite navzven in se nato seznanite z vsemi funkcijami naprave.

**CZ**

Před čtením si otevřete stranu s obrázky a potom se seznámte se všemi funkcemi přístroje.

**SK**

Pred čítaním si odklopte stranu s obrázkami a potom sa oboznámte so všetkými funkciami prístroja.

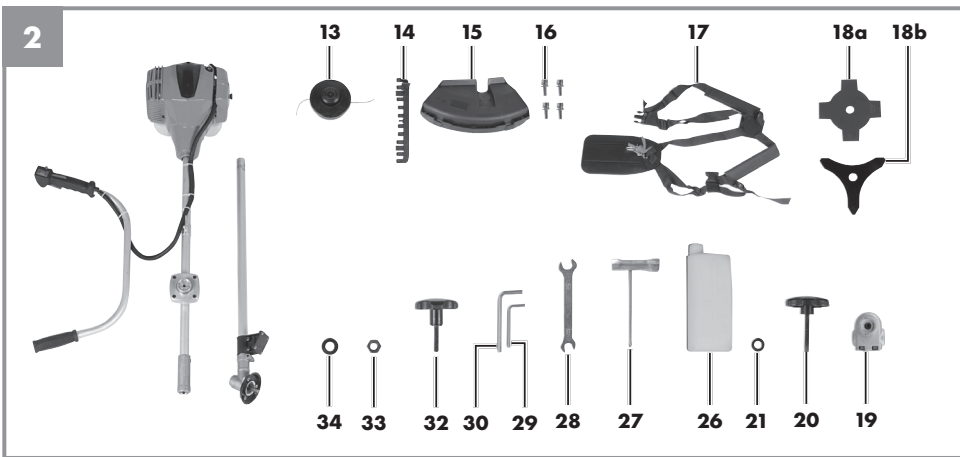
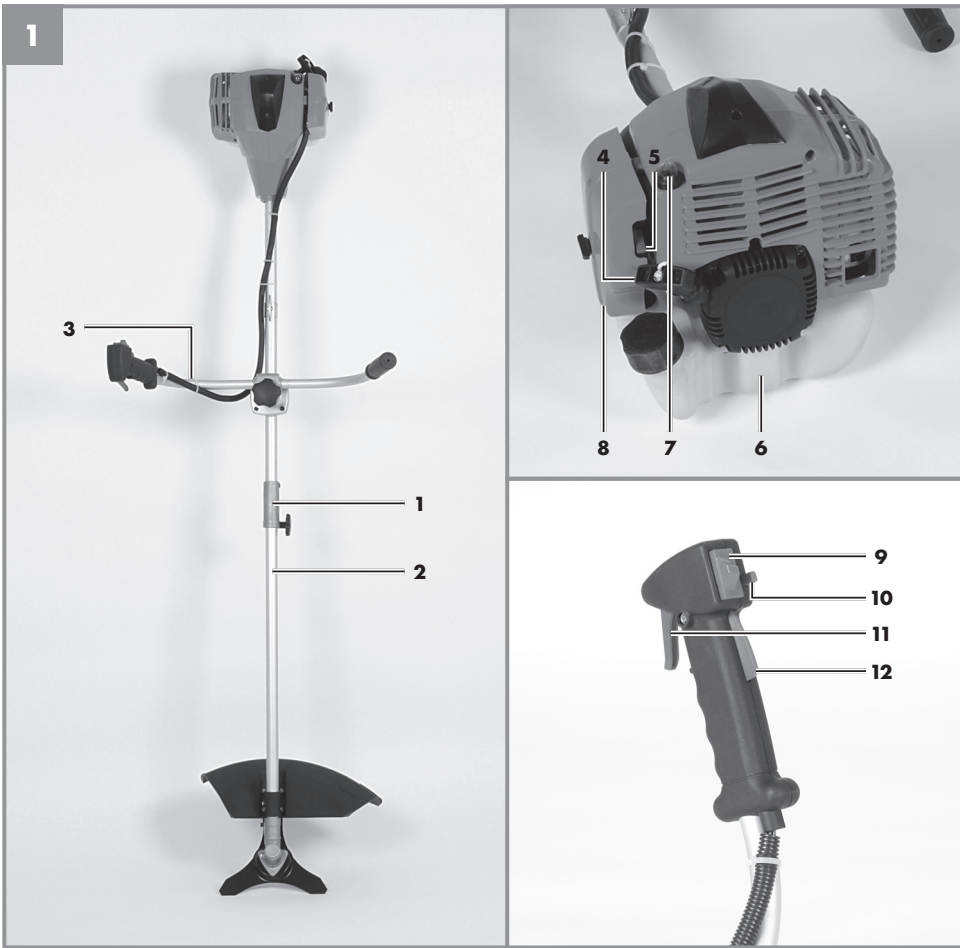
**PL**

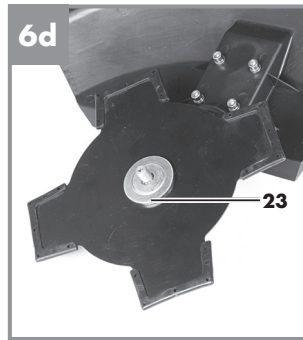
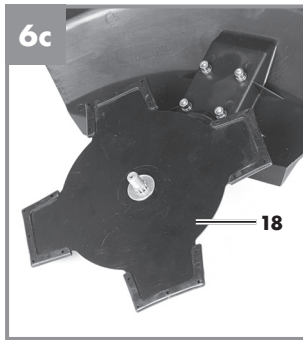
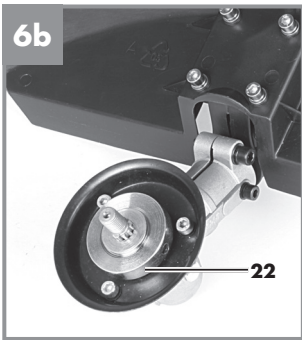
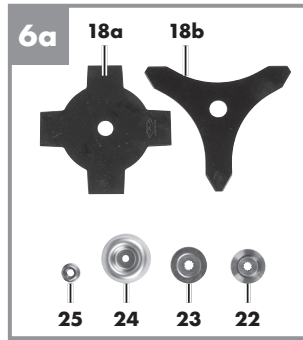
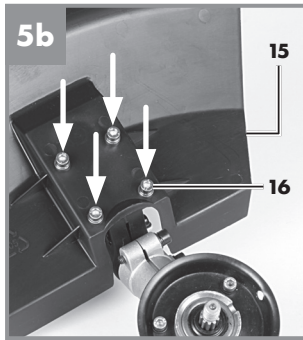
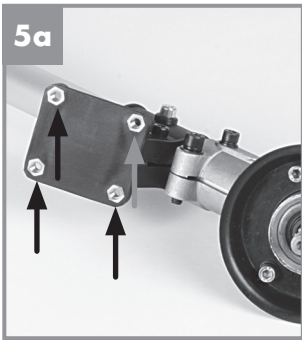
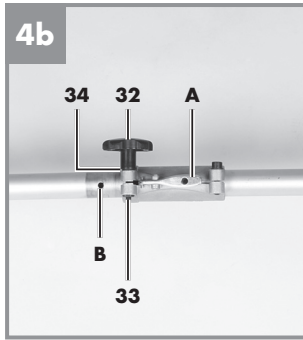
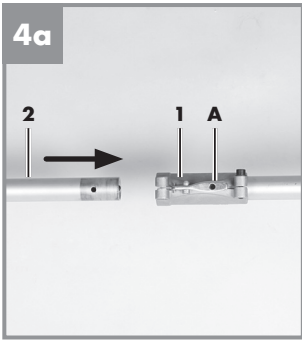
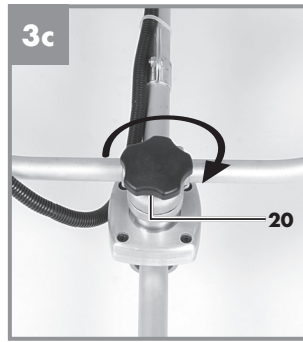
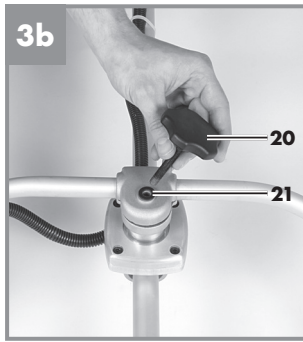
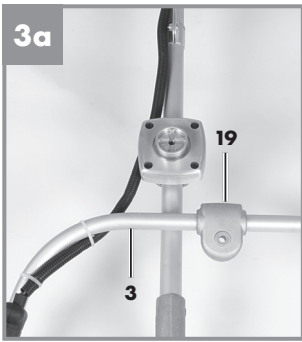
Przed przeczytaniem proszę rozłożyć stronę z ilustracjami, a następnie proszę zapoznać się z wszystkimi funkcjami urządzenia.

**DE AT CH**

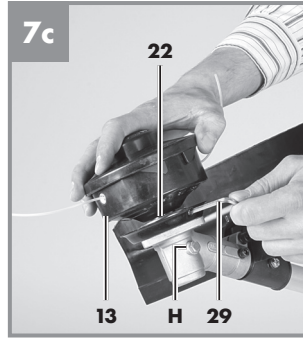
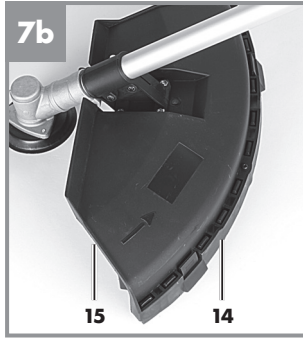
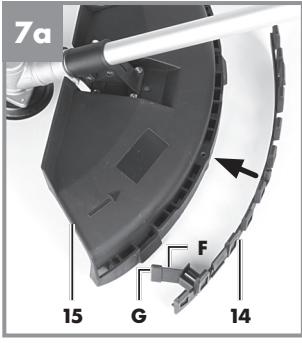
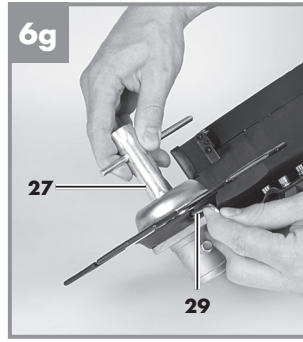
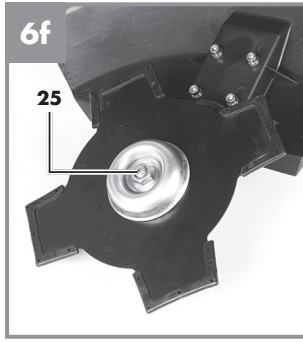
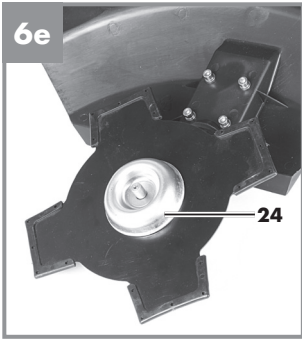
Klappen Sie vor dem Lesen die Seite mit den Abbildungen aus und machen Sie sich anschließend mit allen Funktionen des Gerätes vertraut.

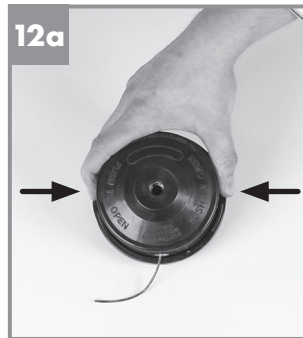
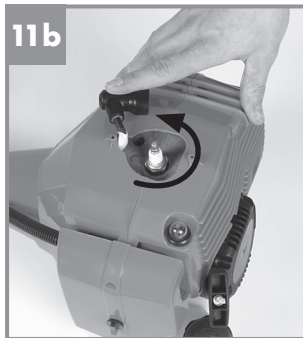
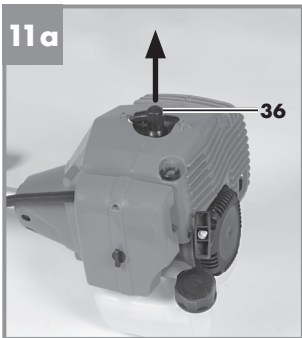
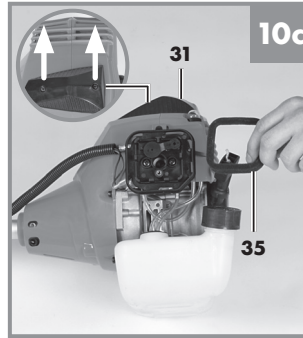
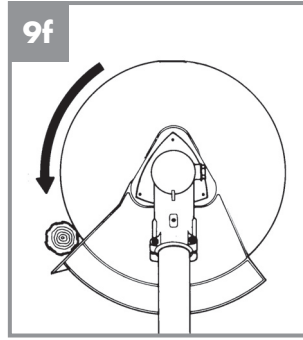
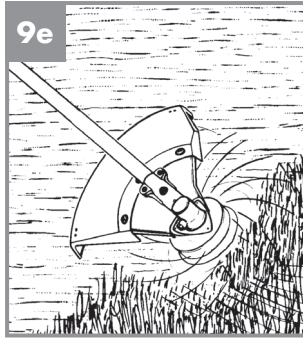
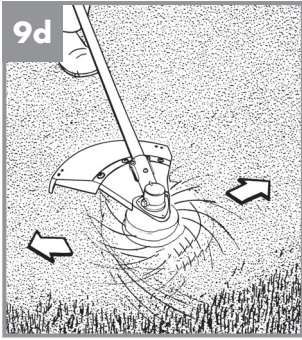
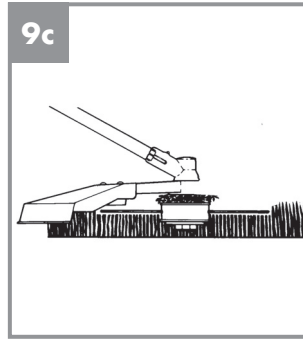
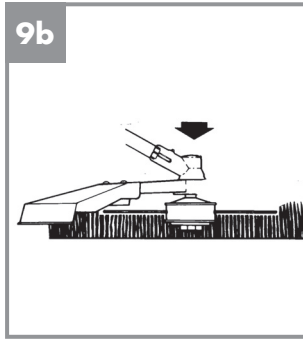
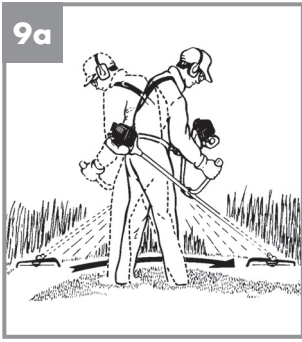
GB	Operation and Safety Notes	Page	8
SI	Navodila za upravljanje in varnostna opozorila	Stran	23
CZ	Pokyny pro obsluhu a bezpečnostní pokyny	Strana	38
SK	Pokyny pre obsluhu a bezpečnostné pokyny	Strana	53
PL	Wskazówki dotyczące obsługi i bezpieczeństwa	Strona	69
DE/AT/CH	Bedienungs- und Sicherheitshinweise	Seite	86





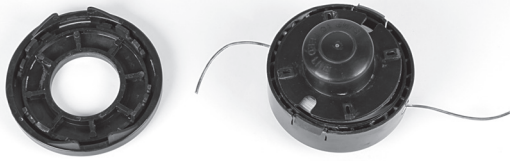




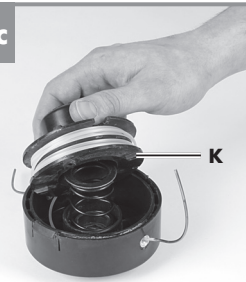




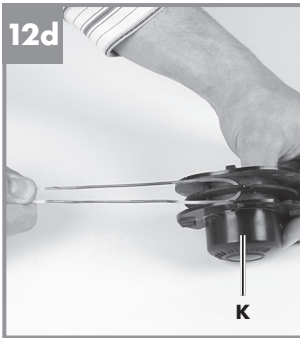
12b



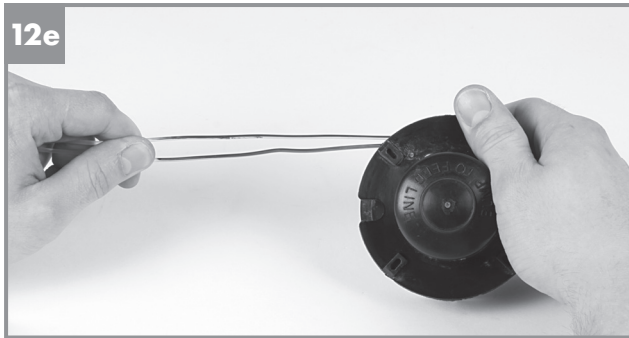
12c



12d



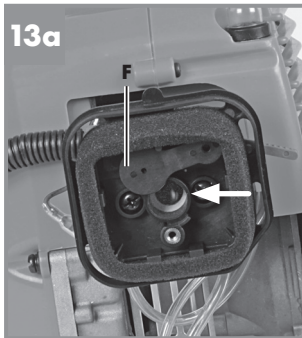
12e



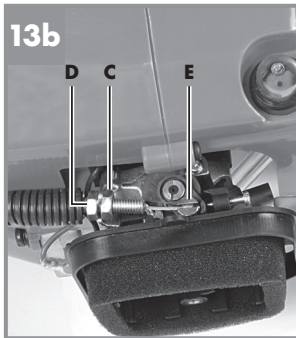
12f



13a



13b



14





## Table of contents

1. Introduction.....	9
2. Safety regulations .....	9
3. Layout and items supplied.....	12
4. Intended use.....	12
5. Technical data.....	13
6. Before starting the equipment .....	13
7. Operation .....	15
8. Maintenance and ordering of spare parts.....	17
9. Storage and transport .....	19
10. Cleaning.....	19
11. Disposal and recycling.....	19
12. Troubleshooting.....	20
13. Declaration of conformity.....	21
14. Warranty certificate.....	22



The reprinting or reproduction by any other means, in whole or in part, of documentation and papers accompanying products is permitted only with the express consent of the iSC GmbH.

Subject to technical changes







## 1. Introduction

Congratulations on your new purchase. You have decided in favor of a high-quality product. The operating instructions are a part of this product. They contain information of importance for your safety, for the use of the product and for its disposal. Before you use the product, acquaint yourself with all the information concerning its operation and safety. Use the product only as described and only for the listed areas of application. If you hand on the product to other people, give them all the documentation as well.

## 2. Safety regulations

### **Caution!**

#### **Read all safety regulations and instructions.**

Any errors made in following the safety regulations and instructions may result in an electric shock, fire and/or serious injury.

#### **Keep all safety regulations and instructions in a safe place for future use.**

### **Safety devices**

When working with the equipment, the appropriate plastic guard hood for cutting blade mode or cutting line mode must be fitted to prevent objects being thrown out by the equipment. The integrated blade in the cutting line guard hood automatically cuts the line to the optimum length.

### **Explanation of the information signs on the equipment (Fig. 14):**

1. Warning!
2. Read the instructions before using for the first time!
3. Wear protective headgear, goggles and ear muffs!
4. Wear sturdy, non-slip footwear!
5. Wear safety gloves!
6. Protect the equipment from rain and damp!
7. Be careful of objects being catapulted away!
8. Always switch off the equipment and pull out the spark boot plug before carrying out any maintenance work!

9. The distance between the equipment and persons in the vicinity must be at least 15 m!
10. The cutting tool (blade/cutting line) continues to rotate after the machine is switched off!
11. Caution: Hot equipment parts. Keep your distance!
12. Add a little grease (gear grease) after every 20 hours in operation!

### **Safety information**

- Read the operating instructions carefully. Familiarize yourself with the settings and with the proper use of the equipment.
- Never allow other persons who are not familiar with the operating instructions to use the equipment. Contact your local governmental agency for information regarding minimum age requirements for the user.
- Never mow in the direct vicinity of persons - especially children - or animals.

### **Warning!**

Maintain a safety distance of 15m. If approached, switch off the equipment immediately. Always keep in mind that the user of the equipment is responsible for accidents involving other persons or their property.

- Important: Danger of poisoning. Emissions, fuels and lubricants are toxic. Do not inhale emissions.

### **Before using**

- Always wear sturdy, non-slip footwear and long trousers when mowing. Never mow barefoot or in sandals.
- Check the ground on which the equipment will be used and remove all objects that could be caught up and catapulted away.
- Warning! Petrol is highly flammable! Therefore:
  - Only store petrol in containers designed to hold petroleum-based liquids.
  - Only refuel out in the open and do not smoke during the refuelling process.
  - Always refuel before starting the engine. Do not open the fuel tank cap and do not refuel while the engine is running or when the equipment is hot.



- If petrol has overflowed, do not under any circumstances attempt to start the engine. Instead, remove the equipment from the affected area. Avoid starting the engine until the petrol fumes have completely evaporated.

- For safety reasons, the petrol tank and the tank cap must be replaced if they are damaged.

- Replace defective silencers.
- Before using the scythe, visually inspect it to ensure that the blade, mounting bolts and the entire cutting apparatus are in good working order (i.e. not worn out or damaged). To prevent any imbalance, replace worn out or damaged blades and mounting bolts as a set only (if applicable).

### Handling (operation, storage, monitoring)

- Wear close-fitting work clothing which is in good condition and which offers protection, such as long trousers, sturdy work shoes, hard-wearing gloves, a helmet, a face mask or goggles to protect your eyes, and good quality cotton wool in your ears or some other ear protectors to reduce the noise.
- Store the equipment in a safe place. Open the petrol tank cap slowly to release any pressure that may have formed in the petrol tank. To prevent the risk of fire, move at least 3 meters from the refueling area before you start the equipment.
- Switch off the equipment before you put it down.
- Always hold the equipment firmly in both hands. Your fingers and thumbs should be wrapped around the handles.
- Ensure that all screws and connecting elements are secure. Never use the equipment if it has not been properly adjusted or has not been fully or safely assembled.
- Make sure that the handles are clean and dry and that there is no petrol mixture on them.
- Set the line spool to the required height. Avoid touching small objects such as stones with the line spool.
- When carrying out mowing work on a slope always stand at a lower level than the cutting tool. Never cut or trim on a smooth, slippery hill or slope.
- Keep all parts of your body and items of clothing away from the line spool when you start the engine and when the engine is running. Before you start the engine ensure that the line spool will not strike an obstacle.
- Always switch off the engine before working on the cutting tool.
- Store the equipment and accessories in a safe place protected from naked flames and heat/spark sources such as gas geyser heaters, tumble driers, oil stoves or portable radiators, etc.
- Keep the guard hood, line spool and engine clear of mowing debris at all times.
- Only adequately trained people and adults may use, adjust and maintain the equipment.
- If you are not familiar with the equipment, practice handling it with the engine off.
- Always check the site you want to mow before you begin your work. Solid objects such as pieces of metal, bottles, stones, etc. can be catapulted away and cause serious injuries and permanent damage to the equipment. If you touch a solid object with the equipment by mistake, switch off the engine immediately and check the equipment for signs of damage. Never use the equipment if it is damaged or defective.
- Always operate the equipment in its high speed range for trimming and cutting. Do not let the engine run at low speed at the start of mowing or during trimming work.
- Only use the equipment for the purpose for which it is intended, such as trimming and mowing weeds.
- Never hold the line spool above knee height when the equipment is in operation.
- Do not use the equipment if other people or animals are in the immediate vicinity. Keep a minimum distance of 15 m between yourself and other people or animals when mowing. Keep a distance of 30 m if you are mowing down to the ground.



### Additional instructions

- Do not use any fuel other than that recommended in the operating instructions. Always follow the instructions in the section „Fuel and oil“. Do not use petrol that has not been mixed correctly with 2-stroke oil. Otherwise there is a risk of causing permanent damage to the engine and of voiding the manufacturer's guarantee.
- Do not smoke while refueling or using the equipment.
- Never use the equipment without the exhaust pipe.
- Do not touch the exhaust pipe with your hands or body. Hold the equipment so that your fingers and thumbs are wrapped around the handle.
- Do not use the equipment in an uncomfortable posture, off balance, with extended arms or with only one hand. Always use both hands on the equipment and wrap your fingers and thumbs around the handles.
- Always keep the line spool on the ground whilst the equipment is in operation.
- Use the equipment only for the purpose for which it is intended, such as trimming and mowing weeds.
- Do not use the equipment over a lengthy period of time - take regular breaks.
- Do not use the equipment when under the influence of alcohol or drugs.
- Use the equipment only when the guard hood is fitted and in good working order.
- Any modifications to the product may place your personal safety at risk and cause the manufacturer's warranty to be voided.
- Never use the equipment near inflammable liquids or gases, neither in enclosed rooms nor outdoors. This may cause explosions and/or fire.
- Do not use any other cutting tools. For your own safety you must use only the accessories and attachments which are listed in the operating instructions or which are recommended or specified by the manufacturer. The use of cutting tools or accessories other than those recommended in the operating instructions or catalog may place your personal safety at risk.

### Safety precautions for handling the blade

- Take note of all warnings and instructions relating to operating and fitting the blade.
- The blade can recoil suddenly from objects if it cannot cut or mow through them.
- This can cause injuries to the arms or legs. Keep bystanders and animals at least 15 m away from where you are working. If the equipment strikes a foreign body, stop the engine immediately and wait for the blade to come to a standstill. Check the blade for signs of damage. Always replace the blade if it is bent or cracked.
- The blade is liable to catapult away objects with high force. This can cause blindness or injuries. Wear protection on your eyes, face and legs. Always remove objects from your working area before you use the blade.
- Carefully check the equipment and its fittings for signs of damage every time before use. Do not use the equipment unless all the blade fittings are installed correctly.
- When you release the throttle lever, the blade will continue to rotate and will only gradually come to a standstill. A blade which is in the process of rotating to a standstill can cause you or bystanders injuries through cutting. Before you start any work on the blade, switch off the engine and ensure that the blade has come to a standstill.
- The danger zone has a radius of 15 meters. Bystanders may suffer blindness or injuries. Keep a distance of 15 meters between yourself and other people or animals.



### 3. Layout and items supplied

#### 3.1 Layout (Fig. 1-13)

1. Connecting piece for long handle
2. Long handle
3. Steady grip
4. Starter line / starter cable
5. Choke lever
6. Petrol tank
7. Fuel pump „primer“
8. Air filter housing cover
9. On/Off switch
10. Throttle lever lock
11. Throttle lever
12. Throttle lock
13. Line spool with cutting line
14. Cutting line guard hood
15. Cutting blade guard hood
16. Screw M5 (4x)
17. Carrying strap
- 18a. Cutting blade (4 teeth)
- 18b. Cutting blade (3 teeth)
19. Holder for steady grip
20. Handle screw M8
21. Washer Ø 8mm
22. Carrier plate
23. Pressure plate
24. Pressure plate cover
25. Nut M10 (left-hand thread)
26. Oil/petrol mixing bottle
27. Spark plug wrench
28. Open-ended wrench 8/10 mm
29. Hex wrench 4 mm
30. Hex wrench 5 mm
31. Protective cap for spark boot plug
32. Handle screw M6
33. Nut M6
34. Washer Ø 6mm
35. Air filter
36. Spark boot plug

The cutting blade (18a/18b) and the line spool (13) are jointly referred to in the text as the cutting tool (generic term).

#### 3.2 Items supplied

- Open the packaging and take out the equipment with care.
- Remove the packaging material and any packaging and/or transportation braces (if available).
- Check to see if all items are supplied.
- Inspect the equipment and accessories for transport damage.
- If possible, please keep the packaging until the end of the guarantee period.

#### Important!

**The equipment and packaging material are not toys. Do not let children play with plastic bags, foils or small parts. There is a danger of swallowing or suffocating!**

### 4. Intended use

The equipment (cutting blade mode) is designed for cutting high grass and sparse scrub with the 4-tooth blade and for cutting dense scrub and slender wood growth with the 3-tooth blade.

The equipment (line spool mode) is designed for cutting lawns and small weeds. The operating instructions as supplied by the manufacturer must be obeyed to ensure that the equipment is used properly.

Any use which is not expressly permitted in these instructions may result in damage to the equipment and place the user in serious danger. Be sure to observe the restrictions in the safety information.

Please note that our equipment has not been designed for use in commercial, trade or industrial applications. Our warranty will be voided if the equipment is used in commercial, trade or industrial businesses or for equivalent purposes.

Caution! Due to the high risk of physical injury to the user, the equipment must not be used to carry out the following work: to clean dirt and debris off walkways, or to chop up tree or hedge clippings. Similarly, the equipment must not be used to level out high areas such as molehills. For safety rea-



sons, the equipment is not allowed to be used as a drive unit for other tools of any kind.

The equipment is allowed to be used only for its intended purpose. Any other use is deemed to be a case of misuse. The user/operator and not the manufacturer will be liable for any damage or injuries of any kind resulting from such misuse.

## 5. Technical data

Engine type .....	2-stroke engine, air-cooled, chrome cylinder
Engine power (max.) .....	1.35 kW/ 1.8 hp
Displacement .....	42.7 ccm
Idle engine speed .....	3000 min <sup>-1</sup>
Max. engine speed	
with blade: .....	9000 min <sup>-1</sup>
with line spool: .....	8400 min <sup>-1</sup>
Max. cutting speed	
with blade: .....	6800 min <sup>-1</sup>
with line spool: .....	6300 min <sup>-1</sup>
Ignition .....	Electronic
Drive .....	Centrifugal clutch
Weight (with empty tank) .....	7.5 kg
Cutting circle diameter of line .....	41 cm
Cutting circle diameter of blade .....	23 cm
Cutting line length .....	8.0 m
Cutting line diameter .....	2.0 mm
Tank capacity .....	0.8 l
Spark plug .....	Champion RCJ6Y
Fuel consumption at	
max. engine power .....	0.6 kg/h
Specific fuel consumption	
at max. engine power .....	446 g/kWh

### Sound and vibration

L <sub>pA</sub> sound pressure level .....	98 dB(A)
K <sub>pA</sub> uncertainty .....	1.5 dB
L <sub>WA</sub> sound power level .....	110 dB(A)
K <sub>WA</sub> uncertainty .....	1.5 dB

### Wear ear-muffs.

The impact of noise can cause damage to hearing.

### Operation

Vibration emission value a<sub>h</sub> = 4.1 m/s<sup>2</sup>  
K uncertainty = 1.5 m/s<sup>2</sup>

### Keep the noise emissions and vibrations to a minimum.

- Only use appliances which are in perfect working order.
- Service and clean the appliance regularly.
- Adapt your working style to suit the appliance.
- Do not overload the appliance.
- Have the appliance serviced whenever necessary.
- Switch the appliance off when it is not in use.
- Wear protective gloves.

## 6. Before starting the equipment

### 6.1 Assembly

#### 6.1.1 Fitting the steady grip (Fig. 3a-3c)

Fit the steady grip (3) as shown in Figures 3a-3c. Do not tighten the screw (20) until you have set the optimum working position with the carrying strap (17) (see also section 6.2). The steady grip should be aligned as shown in Figure 1. To dismantle, proceed in reverse order.

#### 6.1.2 Fitting the long handle (Fig. 4a-4c)

Pass the handle screw (32) through the washer (34) and into the connecting piece of the long handle (1). Secure the handle screw loosely with the nut (33). Now press the locking lever (A) and push the long handle (Fig. 4a/Item 2) carefully into the connecting piece for the long handle. While doing so, ensure that the drive shafts on the inside of the long handle slide into each other (turn the line spool (13) / cutting blade (18a/18b) gently if required). The lug of the locking lever (A) must latch into the hole (B). Now





tighten the handle screw as shown in Figure 4c. To dismantle, simply slacken the handle screw and actuate the locking lever.

### 6.1.3 Fitting the blade guard hood

**Important:** The cutting blade guard hood (15) must be fitted when you want to work with the cutting blade.

The guard hood for the cutting blade must be installed as shown in Figures 5a – 5b.

### 6.1.4 Fitting/Replacing the cutting blade

The procedure for fitting the cutting blade (18a/18b) is shown in Figures 6a-6g. To dismantle, proceed in reverse order.

- Fit the carrier plate (22) onto the spline shaft as shown in Figure 6b.
- Secure the cutting blade (18a/18b) on the carrier plate (Fig. 6c).
- Place the pressure plate (23) over the thread of the spline shaft (Fig. 6d).
- Plug on the cover of the pressure plate (24) (Fig. 6e).
- Look for the hole in the carrier plate, line up with the notch underneath, lock with the supplied hex wrench (29), and then tighten the nut (25) with the spark plug wrench (27) (Fig. 6f/6g). **Important:** Left-hand thread
- The cutting blades (18a/18b) are delivered with plastic protective caps fitted to them. Remove these caps before use and refit them after use.

### 6.1.5 Fitting the cutting line guard hood on the cutting blade guard hood

**Important:** The cutting line guard hood (14) must be fitted in addition when you want to work with the cutting line.

The guard hood for the cutting line must be installed as shown in Figures 7a – 7b. Make sure that the cutting line guard hood engages correctly. A blade (Fig. 7a/ Item F) on the underside of the guard hood automatically cuts the cutting line to the optimum length. It is covered by a guard (Fig. 7a/Item G).

Remove the guard before you start working and replace it when you have finished working.

### 6.1.6 Fitting/Replacing the line spool

The procedure for fitting the line spool (13) is shown in Figure 7c. To dismantle, proceed in reverse order. The line spool is already fitted when the equipment is delivered.

Look for the hole in the carrier plate (22), line up with the notch beneath it, lock with the supplied hex wrench (29), and screw the line spool onto the thread.

**Important:** Left-hand thread

### 6.2 Setting the cutting height

- Fit the carrying strap (17) as shown in Figures 8a-8c.
- Hook the equipment to the carrying belt (Fig. 8d).
- Adjust to the perfect working and cutting position using the various strap adjusters on the carrying strap (Fig. 8e).
- To confirm the optimum length of the carrying strap, make a few swinging movements with the engine off (Fig. 9a).

The carrying strap is fitted with a quick-release mechanism. Pull the red strap section (Fig. 8f) if you need to remove the strap quickly.

**Important:** Always use the strap when working with the equipment. Attach the strap as soon as you have started the engine and it is running in idle mode. Switch off the engine before you take off the carrying strap.

### 6.3 Fuel and oil

Recommended fuels

Use only a mixture of unleaded petrol and special 2-stroke engine oil.

Mix the fuel mixture as indicated in the fuel mixing table.

**Important:** Do not use a fuel mixture which has been stored for longer than 90 days.

**Important:** Never use 2-stroke oil with a recommended mixing ratio of 100:1. The manufacturer's warranty will be voided in case of engine damage due to inadequate lubrication.

**Important:** Only use containers designed and approved for the purpose to transport and store



fuel. Pour the correct quantities of petrol and 2-stroke oil into the mixing bottle (see scale printed on the bottle). Then shake the bottle well.

#### 6.4 Fuel mixing table

Mixing procedure: 40 parts petrol to 1 part oil

Petrol	2-stroke oil
1 liter	25 ml
5 liters	125 ml

## 7. Operation

Please note that the statutory regulations governing noise abatement may differ from one location to another.

Each time before use, check the following :

- That there are no leaks in the fuel system.
- That the equipment is in perfect condition and that the safety devices and cutting devices are complete.
- That all screws are securely fastened.
- That all moving parts move smoothly.

### 7.1 Starting the engine when cold

Fill the tank with the oil/petrol mix. See also „Fuel and oil“.

1. Set the equipment down on a hard, level surface.
2. Press the fuel pump (primer) (Fig. 1/Item 7) 10 times.
3. Move the On/Off switch (Fig. 1/Item 9) to „I“.
4. Secure the throttle lever (Fig. 1 / Item 11). To do this, press the throttle lever lock (Fig. 1/Item 12) and then press the throttle lever (Fig. 1/Item 11) and lock the throttle lever by pressing the lock (Fig. 1/Item 10) at the same time.
5. Set the choke lever (Fig. 1/Item 5) to „I“.
6. Hold the equipment firmly and pull out the starter cable (Fig. 1/Item 4) until you feel it begin to resist. Then tug sharply on the starter cable 4 times. The equipment should start.

**Important:** Never allow the starter line to snap back. This may result in damage.

**Important:** Since the throttle lever is secured, the cutting tool starts to operate when the engine is started.

Then release the throttle lever by actuating it once. Actuating the throttle lever will also release the choke lever. (The engine returns to its idle state).

7. If the engine does not start up, repeat steps 4-6 above.

Please note: If the engine does not start up even after several attempts, read the section „Troubleshooting“.

Please note: Always pull out the starter cable in a straight line. If it is pulled out at an angle, friction will occur on the eyelet.

As a result of this friction, the starter line will become frayed and will wear away faster. Always hold the starter cable when the starter line retracts.

Never allow the starter line to snap back when it has been pulled out.

### 7.2 Starting the engine when warm

(The equipment has been idle for less than 15-20 min.)

1. Set the equipment down on a hard, level surface.
2. Switch the On/Off switch to „I“ (Fig. 1 / Item 9).
3. Secure the throttle lever (Fig. 1 / Item 11) (in the same way as described in “Starting the engine when cold”).
4. Hold the equipment firmly and pull out the starter cable until you feel it start to resist. Then tug sharply on the starter cable. The equipment should start after 1-2 tugs. If the equipment does not start after 6 tugs, repeat steps 1 – 7 of the procedure for starting the engine from cold.



### 7.3 Switching off the engine

#### Emergency Stop procedure:

If it becomes necessary to stop the equipment immediately, set the On/Off switch (9) to "Stop" or "0".

#### Normal procedure:

Let go of the throttle lever (11) and wait until the engine has changed to idling speed. Then set the On/Off switch (9) to "Stop" or "0".

### 7.4 Practical tips

Practice all the work steps with the engine switched off before you start to use the equipment.

**Warning!** Take extreme care during mowing work. When doing such work keep a distance of 30 meters between yourself and other people or animals.

#### Extending the cutting line

Warning! Do not use any kind of metal wire or metal wire encased in plastic in the line spool. This may cause serious injuries to the user.

To extend the cutting line (13), run the engine at full speed and tap the line spool on the ground. This will automatically extend the line. The blade on the guard hood will cut the line to the permissible length (Fig. 9b).

**Important:** Remove all grass and weed remnants at regular intervals to prevent the equipment from overheating.

Grass and weed remnants become trapped under the guard hood (Fig. 9c) and prevent the equipment from cooling sufficiently. Remove the remnants carefully using a screwdriver or the like.

#### Different cutting methods

When the equipment is correctly assembled it will cut weeds and long grass in places which are difficult to access, e.g. along fences, walls and foundations and also around trees. It can also be used for „mowing“ down vegetation so that a garden can be better prepared or a certain area cleared down to the soil.

**Please note:** Even if it is used carefully, cutting around foundations, stone or concrete walls, etc. will result in the line suffering more than the normal level of wear.

#### Trimming/mowing (with line spool/cutting blade)

Swing the equipment from side to side in a scything motion. Always keep the cutting tool parallel to the ground.

Check the site and decide which cutting height you require. Guide and hold the cutting tool at the required height to ensure that you cut evenly (Fig. 9d).

#### Low trimming (with line spool)

Hold the equipment right in front of you at a slight angle so that the underside of the line spool is above the ground and the line strikes the correct target. Always cut away from yourself. Never draw the equipment towards yourself.

#### Cutting along fences/foundations (with line spool)

Approach wire mesh fences, lath fences, natural stone walls and foundations slowly so that you can cut close to them without striking the obstacle with the line. If, for example, the line strikes stones, stone walls or foundations, it will wear or fray. If the line strikes wire fencing, it will break.

#### Trimming around trees (with line spool)

When trimming around tree trunks, approach slowly so that the line does not strike the bark. Walk around the tree and take care not to damage the tree. Approach grass or weeds with the tip of the line and tilt the line spool forwards slightly.

#### Mowing down to the ground (with line spool)

When mowing down to the ground you will cut all the vegetation. To do this, set the line spool at an angle of 30° to the right. Place the handle in the required position (Fig. 9e).

**Caution!** Increased risk of injury to the user, bystanders and animals, and increased risk of damaging property due to objects (e.g. stones) being catapulted away.



**Caution!** Do not use the equipment to remove objects from footpaths, etc.

The petrol scythe is a powerful tool and can catapult small stones and other objects a distance of 15 meters or more, causing injuries and damage to cars, houses and windows.

### Sawing

The equipment is not suitable for sawing.

### Jamming

If the cutting tool jams as a result of attempting to cut vegetation that is too dense, switch off the engine immediately. Remove the grass and scrub from the equipment before you restart it.

### Preventing recoil

When you work with the blade, there is a risk of recoil if it strikes solid objects (tree trunks, branches, tree stumps, stones or the like). This will throw the equipment backwards in the direction opposite to the rotation of the cutting tool. This can cause you to lose control of the equipment. Do not use the blade near fences, metal posts, boundary stones or foundations. For cutting slender wood growth, position the equipment as shown in Fig. 9f in order to prevent recoil.

## 8. Maintenance and ordering of spare parts

Always switch off the equipment and pull out the spark boot plug (36) before carrying out any maintenance work.

### 8.1 Replacing the line spool/cutting line

1. Dismantle the line spool (13) as described in section 6.1.6. Press the spool together (Fig. 12a) and remove one half of the housing (Fig. 12b).
2. Take the spool plate (K) out of the line spool housing (Fig. 12c).
3. Remove any remaining cutting line.
4. Place the new cutting line in the center and hang the loop which has formed into the recess in the spool splitter. (Fig. 12d)
5. Wind up the line counter-clockwise and under

tension. The spool splitter will separate the two halves of the line. (Fig. 12e)

6. Hook the last 15 cm of the two ends of the line onto the opposite lying line holders of the spool plate. (Fig. 12f)
7. Thread the two ends of the line through the metal eyelets in the line spool housing (Fig. 12c).
8. Press the spool plate into the line spool housing (Fig. 12b).
9. Pull the two line ends sharply to release them from the line holders.
10. Join the housing parts together again.
11. Cut the excess line to a length of around 13 cm. This will reduce the load on the engine when starting and warming up.
12. Refit the line spool (see section 6.1.6). If you are replacing the complete line spool, skip points 3-6.

### 8.2 Maintenance of the air filter

Soiled air filters reduce the engine output by supplying too little air to the carburetor.

Regular checks are therefore essential.

The air filter (35) should be checked after every 25 hours of use and cleaned if necessary. If the air contains a lot of dust, the air filter should be checked more frequently.

1. Remove the cover from the air filter housing (Fig. 10a / Item 8)
2. Remove the air filter (Fig. 10b/10c)
3. Clean the air filter by tapping it or blowing it out (with compressed air).
4. Assemble in reverse order.

**Important:** Never clean the air filter with petrol or inflammable solvents.



### 8.3 Maintenance of the spark plug

Electrode gap = 0.6 mm (distance between the electrodes between which the ignition spark is created). Tighten the spark plug with 12 to 15 Nm using a torque wrench (available from your dealer). Check the spark plug for dirt and grime after 10 hours of operation and if necessary clean it with a copper wire brush.

Thereafter service the spark plug after every 50 hours of operation.

1. Dismantle the protective cap (Fig. 10c/Item 31) using a screwdriver.
2. Pull off the spark boot plug (Fig. 11a/Item 36).
3. Remove the spark plug (Fig. 11b) with the supplied spark plug wrench (27).
4. Assemble in reverse order.

### 8.4 Sharpening the guard hood blade

The guard hood blade (Fig. 7a/Item F) can become blunt over time. If you notice this, undo the two screws holding the guard hood blade to the guard hood. Clamp the blade in a vise. Sharpen the blade with a flat file and make sure that the angle of the cutting edge is not altered in the process. File in one direction only.

### 8.5 Carburetor settings

**Important:** Settings on the carburetor are allowed to be made by authorized customer service personnel.

The air filter housing cover must be removed before any work on the carburetor, as shown in Figures 10a and 10b.

#### Setting the throttle cable:

If the maximum speed of the equipment drops over time and you have ruled out all the other possible causes listed in the section „Troubleshooting“, it may be necessary to adjust the throttle cable.

First of all check whether the carburetor opens fully when the throttle lever is pressed right through. This is the case if the carburetor slide (Fig. 13a/Item F) is completely opened when the throttle is fully activated.

Figure 13a shows the correct setting. If the carburetor slide is not completely open, it must be

adjusted.

The following steps are required to adjust the throttle cable:

- Undo the lock nut (Fig. 13b/Item C) a few turns.
- Undo the adjusting screw (Fig. 13b/Item D) until the carburetor slide is completely open when the throttle is fully activated, as shown in Figure 13a.
- Retighten the lock nut.

#### Setting the idling speed:

**Caution!** Set the idling speed when the equipment is warm.

If the engine stalls when the throttle is not pressed and you have ruled out all the other possible causes listed in the section „Troubleshooting“, the idling speed must be adjusted. To do this turn the idling speed screw (Fig. 13b/Item E) clockwise until the equipment runs smoothly at idling speed. If the idling speed is so fast that the cutting tool turns as well, it has to be reduced by turning the idling speed screw for as long as is required for the cutting tool to stop turning as well.

### 8.6 Applying grease to the gear unit

Add a little gear grease (approx. 10 g) after every 20 hours in operation. To do so, open the screw H (Fig. 7c).

### 8.7 Environmental protection

Dispose of soiled maintenance material and operating materials at the appropriate collection point.

Recycle packaging material, metal and plastics.

### 8.8 Ordering replacement parts

Please provide the following information on all orders for spare parts:

- Type of unit
- Article number of the unit
- ID number of the unit

For current prices and information please visit [www.isc-gmbh.info](http://www.isc-gmbh.info)





## 9. Storage and transport

### 9.1 Storage

**Important:** Never put the equipment into storage for longer than 30 days without carrying out the following steps.

#### Storing the equipment

If you intend to store the equipment for longer than 30 days, it must be prepared accordingly. Otherwise the fuel still remaining in the carburetor will evaporate and leave a rubbery sediment. This can cause problems when starting up the equipment and may require expensive repairs.

1. Slowly remove the fuel tank cap to release any pressure that may have formed in the tank. Carefully empty the tank (6).
2. To remove the fuel from the carburetor, start the engine and let it run until the equipment stops.
3. Leave the engine to cool (approx. 5 minutes).
4. Remove the spark plug (see 8.3).
5. Add one teaspoon of 2-stroke engine oil into the combustion chamber. Slowly pull the starter cord several times to apply a layer of oil to all internal components. Fit the spark plug again.

**Note:** Store the equipment in a dry place and far away from possible ignition sources such as an oven, a gas-fired hot water boiler, a gas-fired dryer, etc.

#### Putting the equipment back into operation

1. Remove the spark plug (see 8.3).
2. Quickly tug on the starter line to remove excess oil from the combustion chamber.
3. Clean the spark plug and check that the electrode gap is correct, or insert a new spark plug with the correct electrode gap.
4. Prepare the equipment for operation.
5. Fill the tank with the relevant mixture of fuel and oil. See the section "Fuel and oil".

### 9.2 Transport

To transport the equipment, empty the petrol tank as described in the section "Storage". Clean coarse dirt off the equipment with a brush or hand brush. Dismantle the steady grip and the long handle as described in section 6.1.1 and 6.1.2.

## 10. Cleaning

Always switch off the equipment and pull out the spark boot plug before carrying out any cleaning work.

- The equipment should be cleaned thoroughly every time after it has been used. This applies particularly to the cutting tool and the guard hoods.
- Keep the air vents and the motor housing free of dirt and dust as far as possible. Wipe the equipment with a clean cloth or blow it down with compressed air at low pressure.
- It is easiest to remove dirt and grass immediately after mowing.
- Clean the equipment regularly with a damp cloth and some soft soap. Do not use cleaning agents or solvents; these may be aggressive to the plastic parts in the equipment. Ensure that no water can get into the interior of the equipment.

## 11. Disposal and recycling

The equipment is supplied in packaging to prevent it from being damaged in transit. The raw materials in this packaging can be reused or recycled. The equipment and its accessories are made of various types of material, such as metal and plastic. Defective components must be disposed of as special waste. Fuel and oil must be disposed of only at special refuse collection centers. Ask your dealer or your local council.

## 12. Troubleshooting

Fault	Possible cause	Troubleshooting
The equipment does not start	<ul style="list-style-type: none"> <li>- Correct starting procedure not followed</li> <li>- Sooted or damp spark plug</li> <li>- Incorrect carburetor setting</li> </ul>	<ul style="list-style-type: none"> <li>- Follow the instructions for starting</li> <li>- Clean the spark plug or replace it with a new one</li> <li>- Contact an authorized customer service outlet or send the equipment to ISC-GmbH</li> </ul>
The equipment starts but does not develop its full power	<ul style="list-style-type: none"> <li>- Incorrect choke lever (5) setting</li> <li>- Soiled air filter (35)</li> <li>- Incorrect carburetor setting</li> </ul>	<ul style="list-style-type: none"> <li>- Set the choke lever to "4"</li> <li>- Clean the air filter</li> <li>- Contact an authorized customer service outlet or send the equipment to ISC-GmbH</li> </ul>
The engine does not run smoothly	<ul style="list-style-type: none"> <li>- Incorrect electrode gap on the spark plug</li> <li>- Incorrect carburetor setting</li> </ul>	<ul style="list-style-type: none"> <li>- Clean the spark plug and adjust the electrode gap or fit a new spark plug</li> <li>- Contact an authorized customer service outlet or send the equipment to ISC-GmbH</li> </ul>
Engine smokes excessively	<ul style="list-style-type: none"> <li>- Incorrect fuel mix</li> <li>- Incorrect carburetor setting</li> </ul>	<ul style="list-style-type: none"> <li>- Use the correct fuel mix (see fuel mixing table)</li> <li>- Contact an authorized customer service outlet or send the equipment to ISC-GmbH</li> </ul>

### 13. Declaration of conformity

**Einhell Germany AG · Wiesenweg 22 · D-94405 Landau/Isar**



#### Konformitätserklärung

**D** erklärt folgende Konformität gemäß EU-Richtlinie und Normen für Artikel  
**GB** explains the following conformity according to EU directives and norms for the following product  
**F** déclare la conformité suivante selon la directive CE et les normes concernant l'article  
**I** dichiara la seguente conformità secondo la direttiva UE e le norme per l'articolo  
**NL** verklaart de volgende overeenstemming conform EU richtlijn en normen voor het product  
**E** declara la siguiente conformidad a tenor de la directiva y normas de la UE para el artículo  
**P** declara a seguinte conformidade, de acordo com a directiva CE e normas para o artigo  
**DK** attesterer følgende overensstemmelse i medfør af EU-direktiv samt standarder for artikel  
**S** förklarar följande överensstämmelse enl. EU-direktiv och standarder för artikeln  
**FIN** vakuuttaa, että tuote täyttää EU-direktiivin ja standardien vaatimukset  
**EE** tõendab toote vastavust EL direktiivile ja standarditele  
**CZ** vydává následující prohlášení o shodě podle směrnice EU a norem pro výrobek  
**SLO** potrjuje sledečo skladnost s smernico EU in standardi za izdelek  
**SK** vydáva nasledujúce prehlásenie o zhode podľa smernice EÚ a noriem pre výrobok  
**H** a cikkekhöz az EU-irányvonal és Normák szerinti a következő konformitást jelenti ki

**PL** deklaruje zgodność wymienionego poniżej artykułu z następującymi normami na podstawie dyrektywy WE.  
**BG** декларира съответното съответствие съгласно Директива на ЕС и норми за артикул  
**LV** paskaidro šādu atbilstību ES direktīvai un standartiem  
**LT** apibūdina šį atitikimą EU reikalavimams ir prekės normoms  
**RO** declară următoarea conformitate conform directivei UE și normelor pentru articolul  
**GR** δηλώνει την ακόλουθη συμμόρφωση σύμφωνα με την Οδηγία ΕΚ και τα πρότυπα για το προϊόν  
**HR** potvrđuje sljedeću uskladenost prema smjernicama EU i normama za artikl  
**Izjava o sukladnosti za ovaj proizvod dostupna je na internet stranici www.lidl.hr.**  
**BIH** potvrđuje sljedeću uskladenost prema smjernicama EU i normama za artikl  
**RS** potvrđuje sledeću uskladenost prema smernicama EZ i normama za artikal  
**RUS** следующим удостоверяется, что следующие продукты соответствуют директивам и нормам ЕС  
**UKR** проголошує про зазначену нижче відповідність виробу директивам та стандартам ЄС на виріб  
**MK** ja izjavuva slednata soobrznost согласно EУ-директивата и нормите за артикли  
**TR** Ürünü ile ilgili AB direktifleri ve normlan gereğince aşağıda açıklanan uygunluğu belirtir  
**N** erklærer følgende samsvar i henhold til EU-direktivet og standarder for artikkel  
**IS** Lýsir uppfyllingu EU-reglna og annarra staðla vöru

#### Benzin-Sense FBS 43 A1 (Florabest)

- |                                                 |                                                                                                                                                                         |
|-------------------------------------------------|-------------------------------------------------------------------------------------------------------------------------------------------------------------------------|
| <input type="checkbox"/> 87/404/EC_2009/105/EC  | <input checked="" type="checkbox"/> 2006/42/EC                                                                                                                          |
| <input type="checkbox"/> 2005/32/EC_2009/125/EC | <input type="checkbox"/> Annex IV<br>Notified Body:<br>Notified Body No.:<br>Reg. No.:                                                                                  |
| <input type="checkbox"/> 2006/95/EC             |                                                                                                                                                                         |
| <input type="checkbox"/> 2006/28/EC             | <input checked="" type="checkbox"/> 2000/14/EC_2005/88/EC                                                                                                               |
| <input checked="" type="checkbox"/> 2004/108/EC | <input checked="" type="checkbox"/> Annex V                                                                                                                             |
| <input type="checkbox"/> 2004/22/EC             | <input type="checkbox"/> Annex VI<br>Noise measured: L <sub>WA</sub> = 104,7 dB (A); guaranteed L <sub>WA</sub> = 110 dB (A)<br>P = 1,35 KW; L/Ø = cm<br>Notified Body: |
| <input type="checkbox"/> 1999/5/EC              |                                                                                                                                                                         |
| <input type="checkbox"/> 97/23/EC               | <input checked="" type="checkbox"/> 2006/28/EC<br>Emission No.: e11*97/68SA*2004/26*1181*00                                                                             |
| <input type="checkbox"/> 90/396/EC_2009/142/EC  |                                                                                                                                                                         |
| <input type="checkbox"/> 89/686/EC_96/58/EC     |                                                                                                                                                                         |
| <input type="checkbox"/> 2011/65/EC             |                                                                                                                                                                         |

Standard references: EN ISO 11806; EN ISO 14982

Landau/Isar, den 14.02.2012

Weichselgartner/General-Manager

Frank/Product-Management

First CE: 10  
 Art.No.: 34.019.93 I.No.: 11011  
 Subject to change without notice

Archive-File/Record: NAPR005246  
 Documents registrar: Robert Mayn  
 Wiesenweg 22, D-94405 Landau/Isar



## 14. Warranty certificate

Dear Customer,

All of our products undergo strict quality checks to ensure that they reach you in perfect condition. In the unlikely event that your device develops a fault, please contact our service department at the address shown on this guarantee card. Of course, if you would prefer to call us then we are also happy to offer our assistance under the service number printed below. Please note the following terms under which guarantee claims can be made:

1. These guarantee terms cover additional guarantee rights and do not affect your statutory warranty rights. We do not charge you for this guarantee.
2. Our guarantee only covers problems caused by material or manufacturing defects, and it is restricted to the rectification of these defects or replacement of the device. Please note that our devices have not been designed for use in commercial, trade or industrial applications. Consequently, the guarantee is invalidated if the equipment is used in commercial, trade or industrial applications or for other equivalent activities. The following are also excluded from our guarantee: compensation for transport damage, damage caused by failure to comply with the installation/assembly instructions or damage caused by unprofessional installation, failure to comply with the operating instructions (e.g. connection to the wrong mains voltage or current type), misuse or inappropriate use (such as overloading of the device or use of non-approved tools or accessories), failure to comply with the maintenance and safety regulations, ingress of foreign bodies into the device (e.g. sand, stones or dust), effects of force or external influences (e.g. damage caused by the device being dropped) and normal wear resulting from proper operation of the device. This applies in particular to rechargeable batteries for which we nevertheless issue a guarantee period of 12 months. The guarantee is rendered null and void if any attempt is made to tamper with the device.
3. The guarantee is valid for a period of 3 years starting from the purchase date of the device. Guarantee claims should be submitted before the end of the guarantee period within two weeks of the defect being noticed. No guarantee claims will be accepted after the end of the guarantee period. The original guarantee period remains applicable to the device even if repairs are carried out or parts are replaced. In such cases, the work performed or parts fitted will not result in an extension of the guarantee period, and no new guarantee will become active for the work performed or parts fitted. This also applies when an on-site service is used.
4. In order to assert your guarantee claim, please send your defective device postage-free to the address shown below. Please enclose either the original or a copy of your sales receipt or another dated proof of purchase. Please keep your sales receipt in a safe place, as it is your proof of purchase. It would help us if you could describe the nature of the problem in as much detail as possible. If the defect is covered by our guarantee then your device will either be repaired immediately and returned to you, or we will send you a new device.

Of course, we are also happy offer a chargeable repair service for any defects which are not covered by the scope of this guarantee or for units which are no longer covered. To take advantage of this service, please send the device to our service address.

IAN 72317



## Vsebina

1. Uvod .....	24
2. Varnostni napotki .....	24
3. Opis naprave in obseg dobave .....	26
4. Predpisana namenska uporaba.....	27
5. Tehnični podatki .....	28
6. Pred prvim zagonom .....	28
7. Upravljanje.....	30
8. Vzdrževanje in naročanje nadomestnih delov .....	32
9. Skladiščenje in transport .....	33
10. Čiščenje .....	34
11. Odstranjevanje in ponovna uporaba.....	34
12. Odpravljanje napak.....	35
13. Izjava o skladnosti .....	36
14. Garancijska listina .....	37

Ponatis ali kakršnokoli razmnoževanje dokumentacije in spremljajočih papirjev o proizvodu, tudi po izvlečkih, je dovoljeno samo z izrecnim soglasjem ISC GmbH.

Pridržana pravica do tehničnih sprememb







## 1. Uvod

Čestitamo vam za nakup vaše nove naprave. Odločili ste se za kakovosten izdelek. Navodila za uporabo so sestavni del tega izdelka. Vsebujejo pomembne napotke o varnosti, uporabi in odstranjevanju naprave. Pred uporabo izdelka se seznanite z vsemi napotki za upravljanje in varnost. Izdelek vedno uporabljajte le v skladu z opisom in za navedene namene. Če boste izdelek izročili drugi osebi, ji predajte tudi vso dokumentacijo.

## 2. Varnostni napotki

### ⚠ Opozorilo!

#### **Preberite varnostne napotke in navodila.**

Neupoštevanje varnostnih napotkov in navodil ima lahko za posledico električni udar, požar in/ali hude poškodbe. **Shranite vse varnostne napotke in navodila za kasnejšo uporabo.**

#### **Varnostne naprave**

Pri delu z napravo morajo biti nameščeni ustrezni plastični zaščitni pokrovi za uporabo z noži ali nitko, ki preprečijo izmet predmetov. Vgrajeni noži v zaščitnem pokrovu rezalne nitke samodejno odrežejo nitko na optimalno dolžino.

#### **Opis tabel z napotki na napravi:**

1. Opozorilo!
2. Pred zagonom preberite navodila za uporabo!
3. Nosite zaščito za oči, glavo in sluh!
4. Nosite zaščitne čevlje!
5. Uporabljajte zaščitne rokavice!
6. Napravo zaščitite pred dežjem in vlago!
7. Pazite na dele, ki frčijo naokoli!
8. Pred vzdrževalnimi deli napravo ustavite in izvlecite vtič vžigalne svečke!
9. Razdalja med napravo in osebami, ki stojijo okoli, mora znašati vsaj 15 m!
10. Rezalna orodja (rezalno nož/rezalna nitka) imajo naknadni tek!
11. Pozor, vroči deli. Držite varnostno razdaljo!
12. Vsakih 20 delovnih ur dodajte nekoliko

maščobe (tekoča mast za gonila)!

#### **Varnostni napotki**

- Ta navodila si v celoti skrbno preberite. Seznanite se z nastavitvami in s pravilno uporabo naprave.
- Drugim osebam, ki ne poznajo navodilo za uporabo naprave, ne dovolite uporabe naprave. Krajevna določila pogosto določajo najmanjšo dovoljeno starost uporabnika.
- Nikoli ne kosite, če so v bližini druge osebe, še zlasti otroci, ali živali.

#### **Opozorilo:**

Ohranjajte 15-metrsko varnostno razdaljo.

Če se kdo približuje, takoj ugasnite napravo. Pomislite na to, da je v primeru nesreče, v katero so vpletene druge osebe, odgovoren uporabnik ali lastnik.

- Pozor: Nevarnost zastrupitve, izpušni plini, goriva in maziva so strupeni, ne vdihujte izpušnih plinov.

#### **Pred uporabo**

- Med košnjo vedno nosite čvrsto obutev in dolge hlače. Nikoli ne kosite bosonogi ali v lahkih sandalih.
- Preverite teren, na katerem uporabljate napravo, in odstranite vse predmete, ki jih naprava lahko zajame in zaluča.
- Opozorilo: Bencin je zelo vnetljiv:
  - Bencin hranite le v predvidenih posodah.
  - Tankajte le na prostem in med postopkom polnjenja ne kadite.
  - Bencin napolnite, preden zaženete motor.Med delovanjem motorja ali ko je naprava vroča, ne odpirajte pokrova rezervoarja za bencin in ne dolivajte bencina.
  - Če je bencin iztekel, ne poskušajte zaganjati motorja. Namesto tega napravo odstranite s površine, onesnažene z bencinom. Preprečite vsakršen poskus vžiganja, dokler bencinski hlapi ne izhlapijo.
  - Zaradi varnostnih razlogov morate bencinski rezervoar in pokrov rezervoarja zamenjati, če je poškodovan.
- Zamenjajte okvarjene dušilce zvoka.
- Pred uporabo vizualno preverite, ali niso morda rezalna orodja, pritrdilni zatiči in celotna

rezalna enota obrabljeni ali poškodovani. Preprečite neuravnoteženost in obrabljena ali poškodovana rezalna orodja in pritrdilne zatiče vedno menjajte v parih.

### Ravnanje

#### (Upravljanje, skladičenje, kontrola)

- Nosite tesno prilagajoča se delovna oblačila, ki nudijo zaščito, na primer dolge hlače, varne delovne čevlje, zdržljive delovne rokavice, zaščitno čelado, zaščitno masko za obraz ali zaščitna očala za zaščito oči in glušnike ali podobno zaščito pred hrupom.
- Napravo shranjujte na varnem mestu. Bencinski rezervoar odprite počasi, da spustite tlak, ki se je morebiti izgradil v pokrovu rezervoarja. Da preprečite nevarnost požara, se odstranite vsaj 3 metre od območja vlivanja, preden napravo zaženete.
- Izklopite napravo, preden jo odstavite.
- Napravo vedno držite z obema rokama. Pri tem s palcem in prsti objemite ročaje.
- Pazite, da so vsi vijaki in spojni elementi čvrsto privijačeni. Naprave nikoli ne uporabljajte, če še ni pravilno nastavljena ali povsem oz. varno sestavljena.
- Pazite, da so ročaji suhi in čisti in da se na njih ne drži mešanica bencina.
- Navitek nastavite v zeleno višino. Preprečite, da bi se majhni predmeti (npr. kamni) dotikali navitka.
- Pri košnji na strmini vedno stojte pod rezalnim orodjem. Nikoli ne kosite in ne obrezujte na gladkih, spolzkih gričih ali pobočjih.
- Vse dele telesa in oblačila držite proč od navitka, ko motor zaženete ali pustite, da teče. Preden motor zaženete, se pripravite, da navitek ne pride v stik s kakšno oviro.
- Motor vedno izklopite, preden začnete delati na rezalnem orodju.
- Napravo in opremo shranjujte varno in zaščiteno pred odprtim plamenom in viri vročine/isker kot so plinski pretočni grelniki, sušilniki za perilo, oljne peči, prenosni radiatorji itd.
- Z zaščitnega pokrova, navitka in motorja morate očistite ostanke pokošenega materiala.
- Z napravo smejo upravljati ter jo nastavljati

in vzdrževati le ustrezno izšolane osebe in odrasle osebe.

- Če z napravo niste seznanjeni, vadite ravnanje z njo ob ugasnjem motorju.
- Pred delom preverite predel, ki ga želite pokositi, da na njem ni kovinskih delov, steklenic, kamnov in podobnega, ki bi lahko odfrčali proč in povzročili resne poškodbe uporabnika in trajno poškodovali napravo. Če z napravo nehote naletite na trd predmet, motor takoj izklopite in preglejte napravo, ali se ni poškodovala. Naprave nikoli ne uporabljajte, če je poškodovana ali če kaže napake.
- Vedno obrezujte in kosite v zgornjem območju števila vrtljajev. Motor na začetku košnje ali med obrezovanjem ne sme delovati z nizkim številom vrtljajev.
- Napravo uporabljajte samo za predviden namen, na primer obrezovanje ali košnja plevela.
- Nitka nikoli ne držite nad višino kolena, ko je naprava v uporabi.
- Naprave ne uporabljajte, če so v neposredni bližini gledalci ali živali. Med košnjo ohranjajte minimalno razdaljo 15 m med uporabnikom in drugimi osebami ali živalmi. Pri košnji do tal naj bo varnostna razdalja 30 m.

#### Dodatni napotki

- Ne uporabljajte drugega pogonskega goriva, kot tistega, ki je navedeno v navodilih za uporabo. Vedno upoštevajte navodila v poglavju „Pogonska goriva in olje“. Ne uporabljajte bencina, ki ni pravilno premešan z 2-taktnim motornim oljem. V nasprotnem primeru obstaja nevarnost trajnega poškodovanja motorja, kar povzroči neveljavnost proizvajalčeve garancije.
- Ko napravo polnite ali aktivirate, ne kadite.
- Naprave nikoli ne uporabljajte brez izpuha.
- Izpuha se ne dotikajte niti z rokami niti s telesom. Napravo držite tako, da palcem in prsti objemajo ročaje.
- Naprave ne uporabljajte v neudobnem položaju, če nimate ravnotežja, z iztegnjenimi rokami ali z eno roko. Za upravljanje vedno uporabite obe roki in pri tem ročaje objemite s

- palcem in prsti.
- Navitek vedno držite na tleh, ko je naprava v uporabi.
- Napravo uporabljajte samo za predviden namen, na primer obrezovanje trate ali košnjo.
- Naprave ne uporabljajte predolgo, temveč delajte redne odmore.
- Naprave ne uporabljajte pod vplivom alkohola ali drog.
- Napravo uporabljajte samo, če je nameščen ustrezen zaščitni pokrov in je v dobrem stanju.
- Vsaka sprememba proizvoda lahko ogrozi osebno varnost in izniči veljavnost proizvajalčeve garancije.
- Naprave nikoli ne uporabljajte v bližini gorljivih tekočin ali plinov, niti v zaprtih prostorih niti na prostem. Posledica so lahko eksplozije in/ali požar.
- Ne uporabljajte drugega rezalnega orodja. Zaradi lastne varnosti uporabljajte samo dodatke in dodatne naprave, navedene v navodilih za uporabo ali priporočene ali odobrene s strani proizvajalca. Uporaba drugega orodja ali dodatkov, ki niso priporočeni v navodilih za uporabo, lahko povzroči telesne poškodbe.

### Varnostni ukrepi pri uporabi rezalnega noža

- Upoštevajte vsa opozorila in napotke za uporabo in montažo rezalnega noža.
- Rezalni nož se lahko sunkovito odbije od predmetov, če jih ne more prerezati ali pokositi. To lahko povzroči poškodovanje rok ali nog. Osebe in živali morajo biti od delovnega prostora oddaljeni vsaj 15 m v vseh smereh. Če naprava naleti na tujke, motor takoj ugasnite in počakajte, da se rezalni nož ustavi. Preverite list, da ni poškodovan. Rezalni nož vedno zamenjajte, če je upognjen ali natrgan.
- Rezalni nož sunkovito odbija predmete. To ima lahko za posledico oslepitev ali poškodbe. Nosite zaščito za oči, obraz in noge. Predmete vedno odstranite z delovnega območja, preden uporabite rezalni nož.
- Napravo in montirane dele pred vsako uporabo skrbno preglejte, da niso poškodovani. Naprave ne uporabljajte, če niso vsi sestavni deli rezalnega noža pravilno nameščeni.
- Rezalni nož izstopi, ko spustite ročico za plin. Ko rezalni nož izstopi, lahko povzroči vreznine pri vas ali osebam, ki stojijo v okolici. Preden izvajate kakršna koli dela na rezalnem nožu, motor izklopite in se prepričajte, da so se rezalni noži ustavili.
- Predel nevarnosti ima premera 15 metrov. Osebe, ki stojijo okoli, lahko oslepijo ali se poškodujejo. Ko opravljate taka dela, ohranjajte 15-metrsko varnostno razdaljo med seboj in drugimi osebami ali živalmi v vseh smereh.

## 3. Opis naprave in obseg dobave

### 3.1 Opis naprave (Slike 1-13)

1. Spojnica vodilna prečka
2. Vodilna prečka
3. Vodilni ročaj
4. Zagonska vrstica / zagonski žicovod
5. Ročica za hladni zagon
6. Bencinski rezervoar
7. Črpalka za gorivo „Primer“
8. Pokrov ohišja zračnega filtra
9. Stikalo za vklop/izklop
10. Aretirni mehanizem ročice za plin
11. Ročica za plin
12. Blokada ročice za plin
13. Navite z rezalno nitko
14. Zaščitni pokrov za rezalno nitko
15. Zaščitni pokrov za rezalno nitko
16. 4x vijaki M5
17. Nosilni pas
- 18a. Rezalni nož (4 zobci)
- 18b. Rezalni nož (3 zobci)
19. Držaj vodilnega ročaja
20. Vijak ročaja M8
21. Podložka Ø 8 mm
22. Sojemalna podložka
23. Pritisna plošča
24. Pokrov pritisne plošče
25. Matica M10 (levi navoj)
26. Steklenica za mešanje olja/bencina



27. Ključ za svečke
28. Viličasti ključ 8/10 mm
29. Šestrobni ključ 4 mm
30. Šestrobni ključ 5 mm
31. Zaščitni pokrov za vtič vžigalne svečke
32. Vijak ročaja M6
33. Matica M6
34. Podložka Ø 6 mm
35. Zračni filter
36. Vtič vžigalne svečke

Rezalni nož (18a/18b) in navitek (13) se v besedilu imenujeta tudi rezalno orodje (kot nadrejeni pojem).

### 3.2 Obseg dobave

- Odprite embalažo in previdno vzemite napravo iz embalaže.
- Odstranite embalažni material in embalažne in transportne varovalne priprave (če obstajajo).
- Preverite, če je obseg dobave popoln.
- Preverite morebitne poškodbe naprave in delov pribora, do katerih bi lahko prišlo med transportom.
- Po možnosti shranite embalažo do poteka garancijskega roka.

#### **Pozor!**

**Naprava in embalažni material nista igrača za otroke! Otroci se ne smejo igrati s plastičnimi vrečkami, folijo in malimi deli opreme! Obstaja nevarnost zadušitve in zaužitja takšnih delov materiala!**

## 4. Predpisana namenska uporaba

Naprava (uporaba rezalnih nožev) je primerna za rezanje visoke trave in lahkega grmičevja z nožem s 4 zobci in za gosto grmičevje in šibke drevnine z nožem s 3 zobci. Naprava (uporaba navitka z rezalno nitko) je primerna za rezanje trate, travnih površin in drobnega plevela. Upoštevanje priloženih proizvajalčevih navodil za uporabo je pogoj za pravilno uporabo naprave. Vsakršna druga uporaba, ki v teh navodilih ni izrecno navedena, lahko poškoduje napravo in predstavlja resno nevarnost za uporabnika. Obvezno upoštevajte omejitve v navodilih za varnost.

Prosimo, da upoštevate, da naše naprave niso bile konstruirane za namene uporabe v obrtništvu ali industriji. Ne prevzemamo nobene odgovornosti, če je bila naprava uporabljena v obrtništvu ali industriji ter v podobnih dejavnostih.

**Pozor!** Zaradi telesne nevarnosti za uporabnika naprave ni dovoljeno uporabljati za naslednja dela: za čiščenje poti in kot drobilnik za seklanje odrezanih delov dreves in živih mej. Naprave prav tako ni dovoljeno uporabljati za ravnanje neravnih tal, npr. za odstranjevanje krtin. Zaradi varnostnih razlogov naprave ni dovoljeno uporabljati kot pogonskega agregata za vsakovrstne druge naprave.

Napravo je dovoljeno uporabljati samo skladno z namenom uporabe. Vsaka druga uporaba šteje kot nedovoljena uporaba. Za kakršnekoli poškodbe ali škodo, ki bi nastale zaradi nedovoljene uporabe, nosi odgovornost uporabnik/upravljalac in ne proizvajalec.

## 5. Tehnični podatki

Tip motorja .....	2-taktni motor, zračno hlajen, ..... kromiran valj
Zmogljivost motorja (maks.) .....	1,35 kW/ 1,8 PS
Delovna prostornina .....	42,7 ccm
Število vrtljajev prostega teka motor ...	3000 min <sup>-1</sup>
Maks. število vrtljajev motor	
z nožem: .....	9000 min <sup>-1</sup>
z navitkom: .....	8400 min <sup>-1</sup>
Maks. hitrost rezanja	
z nožem: .....	6800 min <sup>-1</sup>
z navitkom: .....	6300 min <sup>-1</sup>
Vžig .....	elektronski
Pogon .....	centrifugalna sklopka
Teža (prazen rezervoar) .....	7,5 kg
Rezalna krivulja nitke Ø .....	41 cm
Rezalna krivulja nožev Ø .....	23 cm
Dolžina nitke .....	8,0 m
Ø nitke .....	2,0 mm
Vsebina rezervoarja .....	0,8 l
Vžigalna svečka .....	Champion RCJ6Y
Poraba goriva pri maks.	
moči motorja .....	0,6 kg/h
specifična poraba goriva pri	
maks. moči motorja .....	446 g/kWh

### Hrup in vibracije

Nivo zvočnega tlaka $L_{pA}$ .....	98 dB (A)
Negotovost $K_{pA}$ .....	1,5 dB
Nivo zvočne moči $L_{WA}$ .....	110 dB (A)
Negotovost $K_{WA}$ .....	1,5 dB

### Uporabljajte zaščito za ušesa.

Hrup lahko povzroči izgubo sluha.

### Obrotovanje

Emisijska vrednost vibracij  $a_h = 4,1 \text{ m/s}^2$   
Negotovost  $K = 1,5 \text{ m/s}^2$

### Omejite hrupnost in vibracije na minimum!

- Uporabljajte samo brezhibne naprave.
- Redno vzdržujte in čistite napravo.
- Vaš način dela prilagodite napravi.
- Ne preobremenjujte naprave.
- Po potrebi dajte napravo v preverjanje.
- Izključite napravo, ko je ne uporabljate.
- Uporabljajte rokavice.

## 6. Pred prvim zagonom

### 6.1 Montaža

#### 6.1.1 Montaža vodilnih ročajev (sl. 3a-3c)

Vodilni ročaj (3) montirajte, kot je predstavljeno na slikah 3a-3c. Vijak (20) do konca pritegnite šele, ko ste z delovnim pasom (17) nastavili optimalni delovni položaj (glejte poglavje 6.2). Vodilni ročaj naj bo usmerjen tako, kot prikazuje slika 1. Demontaža poteka v nasprotnem vrstnem redu.

#### 6.1.2 Montaža vodilne prečke (sl. 4a - 4c)

Potisnite vijak ročaja (32) skozi podložko (34) v spojnico vodilne prečke (1). Vijake ročaja na rahlo privijate z matico (33). Sedaj pritisnite na aretirno ročico (A) in previdno potisnite vodilno prečko (sl. 4a/poz. 2) v spojnik vodilne prečke. Pri tem pazite, da pogonski gredi v notranjosti vodilne prečke zdrsnejo ena v drugo, po potrebi rahlo obrnite navitek (13) / rezalni nož (18a/18b). Nos aretirne ročice (A) mora zaskočiti v luknjo (B). Sedaj pritegnite vijak ročaja, kot prikazuje slika 4c. Za demontažo morate vijak ročaja le zrahljati in aktivirati aretirno ročico.

#### 6.1.3 Montaža zaščitnega pokrova rezalnega noža

Pozor: pri delu z rezalnimi noži mora biti montiran zaščitni pokrov za rezalne nože (15). Montaža zaščitnega pokrova za rezalne nože poteka, kot je predstavljeno na slikah 5a-5b.





### 6.1.4 Montaža/menjava rezalnih nožev

Montaža rezalnega noža (18a/18b) je predstavljena na slikah 6a-6g. Demontaža poteka v obratnem vrstnem redu.

- Sojemalno podložko (22) natakните na zobato greš, kot prikazuje slika 6b.
- Rezalni nož (18a/18b) aretirajte na sojemalno podložko (sl. 6c)
- Pritisno ploščo (23) natakните prek navoja zobate gredi (sl. 6d)
- Natakните pokrov pritisne ploščice (24) (sl. 6e)
- Poiščite vrtino sojemalne podložke, jo poravnajte z zarezo, ki je pod njo, in pritrdite z dobavljenim šestrobim ključem (29), nato pa pritegnite matico (25) s ključem za vžigalne svečke (27) (sl. 6f/6g). Pozor: levi navoj
- Rezalni noži (18a/18b) so pri dobavi opremljeni s plastičnimi zaščitnimi pokrovi. Pred uporabo jih odstranite in nato ponovno namestite.

### 6.1.5 Montaža zaščitnega pokrova za rezalno nitko na zaščitnem pokrovu rezalnega noža

Pozor: Pri delu z rezalno nitko je treba namestiti tudi zaščitni pokrov za rezalno nitko (14).

Montaža zaščitnega pokrova za rezalno nitko poteka, kot je predstavljeno na slikah 7a - 7b. Pazite, da bo zaščitni pokrov rezalne nitke pravilno zaskočil. Na spodnji strani zaščitnega pokrova se nahaja nož (sl. 7a/poz. F) za avtomatsko uravnavanje dolžine nitke. Ta je prekrita z zaščito (sl. 7a/poz. G).

Zaščito pred začetkom dela odstranite in jo po končanju dela znova namestite.

### 6.1.6 Montaža/ menjava navitka

Montaža navitka (13) je predstavljena na sliki 7c. Demontaža poteka v nasprotnem vrstnem redu. Navitek je ob dobavi že montiran.

Poiščite vrtino sojemalne podložke (22), jo poravnajte z zarezo, ki je pod njo, in pritrdite z dobavljenim šestrobim ključem (29), nato pa navitek privijajte na navoj. **Pozor:** levi navoj

### 6.2 Nastavitev rezalne višine

- Nosilni pas (17) namestite, kot je predstavljeno na slikah 8a-8c.
- Napravo vpnite v nosilni pas (sl. 8d).
- Z različnimi nastavnimi mehanizmi na pasu nastavite optimalen delovni in rezalni položaj (sl. 8e).
- Za nastavitev optimalne nosilne dolžine zanihajte s koso brez prižganega motorja (sl. 9a).

Nosilni pas je opremljen z mehanizmom za hitro odpiranje. Če morate napravo hitro odložiti, povlecite za rdeči del pasu (sl. 8f).

Pozor: Pas uporabljajte vedno, ko delate z napravo. Vžgite motor in si namestite pas, medtem ko je motor v prostem teku. Preden snamete nosilni pas, izklopite motor.

### 6.3 Pogonsko gorivo in olje

Priporočena pogonska goriva

Uporabljajte mešanico neosvinčenega goriva in posebnega 2-taktnega motornega olja.

Mešanico goriva pripravite po tabeli za mešanje goriva.

**Pozor:** Ne uporabljajte mešanic goriva, ki so stare več kot 90 dni.

**Pozor:** ne uporabljajte 2-taktnega olja, ki priporoča razmerje mešanja 100:1.

Izdellovalčeva garancija za motor odpade, če nastane škoda na motorju zaradi nezadostnega mazanja.

**Pozor:** Za transport in skladiščenje goriva uporabljajte le predvidene in odobrene vsebnike.

V priloženo mešalno steklenico vlijte pravilno količino bencina in 2-taktnega olja (glejte natisnjeno lestvico). Vsebnik nato dobro premešajte.

### 6.4 Tabela za mešanje pogonskega goriva

Postopek mešanja: 40 delov bencina na 1 del olja

Bencin	2-taktno olje
1 litrov	25 ml
5 litrov	125 ml

## 7. Upravljanje

Upoštevajte zakonska določila za zaščito pred hrupom, ki se lahko krajevno razlikujejo.

Pred vsakim zagonom naprave preverite naslednje:

- Tesnost sistema s pogonskim gorivom.
- Brezhibno stanje in popolnost zaščitnih naprav in rezalne naprave.
- Čvrsto ležišče vseh privijačenj.
- Gibljivost vseh gibljivih delov.

### 7.1 Zagon pri hladnem motorju

Napolnite rezervoar z mešanico bencin/olje. Glejte tudi goriva in olje.

1. Napravo postavite na trdo in ravno podlago.
2. 10x pritisnite na črpalko za gorivo (Primer) (sl. 1/poz. 7).
3. Stikalo za vklop/izklop (sl. 1/poz. 9) preklopite na „I“.
4. Fiksirajte ročico za plin (sl. 1/poz. 11). V ta namen aktivirajte blokado ročice za plin (sl. 1/poz. 12) in nato ročico za plin (sl. 1/poz. 11) ter s hkratnim pritiskanjem na aretirni mehanizem (sl. 1/poz. 10) pritrdite ročico za plin.
5. Ročico za hladni zagon (sl. 1/poz. 5) prestavite na „0“.
6. Napravo dobro držite in zagonsko vrstico (sl. 1/poz. 4) izvlecite do prvega upora. Sedaj 4x hitro potegnite zagonsko vrstico. Naprava se mora zagnati.

**Pozor:** Ne dovolite, da skoči zagonska vrstica nazaj. Ta lahko povzroči poškodbe.

**Pozor:** S pritrjeno ročico za plin začne rezalno orodje delovati, ko motor zaganjate.

Nato z enostavnim pomikom odpahnite ročico za plin. Hkrati z aktiviranjem ročice za plin odpahnite tudi ročico za hladni zagon. (Motor se vrne v prosti tek).

7. Če se motor ne zažene, ponovite korake 4-6. Upoštevajte: Če se motor po več poskusih ne zažene, preberite poglavje „Odstranjevanje motenj na motorju“. Upoštevajte: Zagonsko vrstico vedno vlecite

naravnost ven. Če ga vlečete pod kotom, prihaja na ušescu to drgnjenja. S tem trenjem se zagonska vrstica guli in se hitreje obrabi. Ko se zagonska vrstica ponovno uvija, vedno držite žicovod. Zagonska vrstica se iz iztegnjenega položaja ne sme uviti nazaj.

### 7.2 Zagon ob toplen motorju

(naprava ni bila ustavljena več kot 15-20 minut)

1. Napravo položite na trdo, ravno površino.
2. Stikalo za vklop/izklop (sl. 1 / poz. 9) preklopite na „I“.
3. Pritrdite ročico za plin (sl. 1 / poz. 11) (analogno kot pri „Zagonu pri hladnem motorju“).
4. Napravo dobro držite in zagonsko vrstico izvlecite do prvega upora. Sedaj hitro pritegnite zagonsko vrstico. Naprava se mora zagnati po 1-2 potegih. Če se naprava po 6 potegih še vedno ne zažene, ponovite korake 1-7 pri „hladnem motorju“.

### 7.3 Ugašanje motorja

#### Vrstni red pri izklopu v sili:

Če je treba napravo takoj ustaviti, prestavite stikalo za vklop/izklop (9) na „Stop“ oz. „0“.

#### Normalni vrstni red:

Izpustite ročico za plin (11) in počakajte, da preide motor na delovanje s hitrostjo prostega teka. Nato stikalo za vklop/izklop (9) prestavite na „Stop“ oz. 0.

### 7.4 Napotki za delo

Pred uporabo naprave vadite vse delovne tehnike ob izklopljenem motorju.

**Opozorilo:** Pri košnji do tal bodite skrajno previdni. Ko opravljate taka dela, ohranjajte 30-metrsko varnostno razdaljo med seboj in drugimi osebami ali živalmi.



### Podaljšanje rezalne nitke

Opozorilo! V navitek nikoli ne dajajte nobene vrste kovinske žice ali kovinske žice, prevlečene s plastičnimi masami. To lahko hudo poškoduje uporabnika.

Za podaljšanje rezalne nitke (13) pustite motor delovati s polnim plinom, medtem ko se navitek dotika tal. Nitka se samodejno podaljša. Nož na zaščitnem pokrovu skrajša vrstico do dopustne dolžine (sl. 9b).

**Previdno:** Redno odstranjujte vse ostanke trave in plevela, da preprečite pregretje naprave. Ostanke ruše/ trave/ plevela se ujamejo pod zaščitnim pokrovom (sl. 9c), kar prepreči hlajenje naprave. Ostanke previdno odstranite z izvijačem ali podobnim predmetom.

### Različni postopki košenja

Če je naprava pravilno sestavljena, reže plevel in visoko travo na težko dostopnih mestih, na primer vzdolž ograj, zidov in temeljev ter okoli dreves. Možno jo je uporabiti tudi za „košnjo do tal“, s katero se pripravi vrt ali za čiščenje določenega predela tik nad tlemi.

**Upoštevajte:** Tudi pri skrbni uporabi se vrstica pri rezanju ob temeljih in kamnitih ali betonskih zidovih ipd. obrabi bolj, kot običajno.

### Obrezovanje/ košnja (z navitkom/ rezalnim nožem)

S polkrožnimi gibi vihtite napravo z ene strani na drugo. Rezalno orodje naj bo vedno vzporedno s tlemi. Preverite teren in določite želeno višino košnje. Rezalno orodje vodite in držite v želeni višini, da dosežete enakomerno košnjo (sl. 9d).

### Nizko obrezovanje (z navitkom)

Napravo držite vedno z rahlim nagibom natančno pred seboj, da se nahaja spodnja stran navitka nad tlemi in da vrstica pride na pravilno mesto rezanja. Vedno režite proč od sebe. Naprave ne vlecite k sebi.

### Rezanje ob ograji/ temeljih (z navitkom)

Počasi se približujte pletenim žičnim ograjam, plotom iz letev, zidom iz naravnega kamna in temeljem, da režete v bližini, a se z nitko ne dotikate ovir. Če se nitka dotakne kamna, kamnitega zidu ali temeljev, se obrabi ali razcefra. Če se nitka dotakne pletene ograje, se zlomi.

### Obrezovanje okoli dreves (z navitkom)

Ob obrezovanju okoli debel se počasi približujte, da se nitka ne dotakne skorje. Hodite okoli drevesa in pazite, da ga ne poškodujete. Travi ali plevelu se približajte s konico nitke in navitek potisnite nekoliko naprej.

### Košnja do tal (z navitkom)

Pri košnji do tal zajamete celotno vegetacijo do zemlje. Nagnite navitek pod kotom 30 stopinj v desno. Ročaj prestavite v želeni položaj (sl. 9e).

**Pozor!** Večja nevarnost poškodovanja uporabnika, gledalcev in živali ter nevarnost materialne škode zaradi letečih predmetov (npr. kamnov).

**Pozor!** Z napravo ne odstranjujte predmetov s poti ali česa podobnega!

Kosa z bencinskim motorjem je močna naprava, ki lahko majhne kamne in druge predmete zaluča 15 metrov daleč in dlje ter poškoduje avtomobile, hiše in okna.

### Žaganje

Naprava ni primerna za žaganje.

### Zatikanje

Če se rezalno orodje zatika zaradi pregoste vegetacije, takoj ugasnite motor. Z naprave očistite travo in goščavo, preden jo ponovno uporabite.



### Preprečevanje povratnega udarca

Pri delu z rezalnim nožem obstaja nevarnost povratnega udarca, če naleti na trde ovire (deblo, veja, štor, kamen ali podobno). Napravo ob tem vrže nazaj smeri, ki je nasprotna smeri obračanja rezalnega orodja. To lahko povzroči izgubo nadzora nad napravo. Rezalnega noža ne uporabljajte v bližini ograj, kovinskih stebrov, mejnikov ali temeljev.

Za rezanje šibkih drevnin postavite napravo, kot prikazuje slika 9f, da preprečite povratne udarce.

## 8. Vzdrževanje in naročanje nadomestnih delov

Napravo pred vzdrževalnimi deli vedno izklopite in izvlecite vtič za svečke (36).

### 8.1 Menjava navitka/rezalne nitke

1. Navitek (13) demontirajte, kot je opisano v poglavju 6.1.6. Navitek stisnite skupaj (sl. 12a) in snemite polovico ohišja (sl. 12b).
2. Krožne plošče (K) odstranite iz ohišja navitka (sl. 12c).
3. Odstranite morebitno nitko.
4. V sredino vstavite novo nitko in nastalo zanko vpnite v odprtino krožne plošče navitka (sl. 12d).
5. Nitko držite napeto in jo navijte v nasprotni smeri urinega kazalca. Krožna plošča ločuje polovici najlonske vrvice (sl. 12e).
6. Zadnjih 15 cm obeh koncev nitke vpnite v krožne plošče na nasprotni strani navitka (sl. 12f).
7. Oba konca nitke napeljite skozi kovinska ušesca v ohišju navitka (sl. 12c).
8. Krožne plošče stisnite v ohišje navitka (sl. 12b).
9. Kratko in močno povlecite oba konca nitke, da ju sprostite iz držala nitke v navitku.
10. Polovici ohišja ponovno spojite.
11. Odvečno nitko skrajšajte na približno 13 cm. S tem zmanjšate obremenjenost motorja med zagonom in ogrevanjem.
12. Navitek ponovno montirajte (glejte poglavje 6.1.6). Ko zamenjate cel navitek, preskočite točke 3-6.

### 8.2 Vzdrževanje zračnega filtra

Onesnažen zračni filter zmanjša moč motorja zaradi premajhnega dotoka zraka do uplinjača.

Redne kontrole so nujne.

Zračni filter (35) preverite približno vsakih 25 delovnih ur in ga po potrebi očistite. Če je zrak zelo prašen, je treba zračni filter pogosteje pregledovati.

1. Odstranite pokrov ohišja zračnega filtra (sl. 10a / poz. 8)
2. Odstranite zračni filter (sl. 10b/10c)
3. Zračni filter očistite tako, da ga stepete ali izpihate (s stisnjenim zrakom).
4. Montaža poteka v obratnem vrstnem redu.

**Pozor:** Zračnega filtra nikoli ne čistite z bencinom ali gorljivimi topili.

### 8.3 Vzdrževanje vžigalne svečke

Razdalja elektrod = 0,6 mm (razdalja med elektrodami, med katerimi nastaja vžigalna iskra).

Vžigalno svečko pritegnite z 12 do 15 Nm z momentnim ključem (na voljo v specializirani prodajalni). Po 10 delovnih urah prvič preverite, ali je vžigalna svečka umazana in jo po potrebi očistite s krtačo iz bakrene žice.

Nato vžigalno svečko vzdržujte vsakih 50 delovnih ur.

1. Demontirajte zaščitni pokrov (sl. 10c/poz. 31) z izvijačem.
2. Vtič za vžigalno svečko (sl. 11a/poz. 36) poptegnite dol.
3. Odstranite vžigalno svečko (sl. 11b) s priloženim ključem za vžigalne svečke (27).
4. Montaža poteka v obratnem vrstnem redu.

### 8.4 Brušenje noža v zaščitnem pokrovu

Nož v zaščitnem pokrovu (sl. 7a / poz. F) lahko sčasoma otopi. Če to ugotovite, odpustite 2 vijaka, s katerima je vpet v zaščitnem pokrovu. Nož vpnite v primež. Nož pobrusite s plosko pilo in pri tem pazite, da ohranite kot rezalnega roba. Brusite samo v eno smer.

## 8.5 Nastavitev uplinjača

**Pozor:** Nastavitve na uplinjaču lahko opravlja samo pooblaščen servis.

Pred vsakim delom na uplinjaču je treba najprej sneti pokrov ohišja zračnega filtra, kot prikazujeta sliki 10a in 10b.

### Nastavitev žicovoda za plin:

Če največjega števila vrtljajev naprave sčasoma več ne dosegate in ste izključili vse ostale vzroke, navedene v poglavju „Odpravljanje napak“, bo morda treba nastaviti žicovod za plin.

Najprej preverite, ali se uplinjač pri povsem stisnjenem ročaju za plin do konca odpre. To se zgodi, če je drsnik uplinjača (sl. 13a/poz. F) pri do konca stisnjenem plinu povsem odprt.

Slika 13a prikazuje pravilno nastavitev.

Če drsnik uplinjača ni povsem odprt, ga je treba nastaviti.

Za nastavitev žicovoda za plin izvedite naslednje korake:

- Odpustite protimatico (sl. 13b/poz. C) za nekaj obratov.
- Nastavni vijak (sl. 13b/poz. D) izvijte tako daleč, da je drsnik uplinjača pri do konca stisnjenem plinu, kot je prikazano na sliki 13a, povsem odprt.
- Ponovno pritegnite protimatico.

### Nastavitev plina za prosti tek:

**Pozor!** Plin za prosti tek nastavljajte, ko je naprava topla.

Če se naprava ugaša, ko ročica za plin ni aktivirana, in ko izključite vse druge možne vzroke, navedene v poglavju „Odpravljanje napak“, je treba nastaviti plin za prosti tek. Vijak za plin za prosti tek (sl. 13b/ poz. E) obračajte v smeri urinega kazalca, da dosežete zanesljivo delovanje naprave v prostem teku. Če je plin za prosti tek tako visok, da se obrača tudi rezalno orodje, ga morate zmanjševati z obračanjem vijaka za plin za prosti tek, dokler se rezalno orodje več ne obrača.

## 8.6 Podmazovanje gonila

Vsakih 20 delovnih ur dodajte nekoliko tekoče masti za gonila (pribl. 10 g). V ta namen odprite vijak H (sl. 7c).

## 8.7 Zaščita okolja

Umazan vzdrževalni material in pogonska sredstva oddajte na mestu zbiranja.

Ovojnino, kovine in plastiko oddajte v reciklažo.

## 8.8 Naročanje nadomestnih delov

Pri naročanju nadomestnih delov je potrebno navesti naslednje navedbe:

- Tip naprave
- Art. številko naprave
- Ident- številko naprave

Aktualne cene in informacije najdete na spletni strani [www.isc-gmbh.info](http://www.isc-gmbh.info)

# 9. Skladiščenje in transport

## 9.1 Skladiščenje

**Previdno:** Naprave ne shranjujte dlje kot 30 dni, če ne izvedete naslednjih korakov.

### Shranjevanje naprave

Če napravo shranite za dlje kot 30 dni, jo morate ustrezno pripraviti. V nasprotnem primeru izhlapeva preostalo gorivo v uplinjaču, ki pusti na dnu gumijasto usedlino.

To lahko oteži zagon ali povzroči potrebo po dragem popravilu.

1. Počasi snemite pokrov rezervoarja za gorivo, da iz rezervoarja spustite morebitni tlak. Rezervoar (6) previdno izpraznite.
2. Zaženite motor in ga pustite teči, dokler se naprava ne ustavi, da iz uplinjača odstranite gorivo.
3. Počakajte, da se motor ohladi (ca. 5 minut).
4. Odstranite vžigalno svečko (glejte 8.3).
5. V izgorevalno komoro dajte 1 čajno žličko čistega 2-taktnega olja. Večkrat potegnite za zagonsko vrvico, da olje doseže notranje komponente. Ponovno vstavite vžigalno svečko.



**Opozorilo:** Napravo shranite na suhem prostoru, proč od možnih virov vžiga, npr. peči, plinskih grelnikov za vodo, plinskih sušilnikov itd.

### Ponovni zagon

1. Odstranite vžigalno svečko (glejte 8.3).
2. Hitro povlecite zagonsko vrstico, da spravite odvečno olje iz izgorevalne komore.
3. Očistite vžigalno svečko in pazite na pravilen odmik med elektrodama na vžigalni svečki ali pa vstavite novo vžigalno svečko s pravilnim odklikom med elektrodama.
4. Pripravite napravo na delovanje.
5. V rezervoar nalijte pravilno mešanico goriva/olja. Glejte tudi poglavje „Pogonsko gorivo in olje“.

### 9.2 Transport

Če želite napravo transportirati, izpraznite rezervoar za bencin, kot je opisano v poglavju „Skladiščenje“. Z naprave odstranite grobo umazanijo s krtačo ali omelcem. Demontirajte vodilni ročaj in vodilno prečko, kot je opisano v poglavjih 6.1.1 in 6.1.2.

## 10. Čiščenje

Napravo pred čiščenjem vedno izklopite in izvlecite vtič za svečke.

- Po vsaki uporabi napravo temeljito očistite. Očistite zlasti rezalno orodje in zaščitne pokrove.
- Zaščitno opremo, zračne reže in ohišje motorja vzdržujte kar se le da v stanju brez prisotnosti prahu in umazanije. Napravo obrišite s suho krpo ali s komprimiranim zrakom pod nizkim pritiskom.
- Najenostavneje boste umazanijo in travo odstranili takoj po košnji.
- Redno čistite napravo z vlažno krpo in nekaj milnice. Ne uporabljajte nobenih čistilnih ali razredčilnih sredstev; le-ta lahko poškodujejo plastične dele naprave. Pazite na to, da ne pride voda v notranjost naprave.

## 11. Odstranjevanje in ponovna uporaba

Naprava se nahaja v embalaži, da ne bi prišlo do poškodb med transportom. Ta embalaža je surovina in s tem ponovno uporabna ali pa jo je možno reciklirati. Naprava in njen pribor sta izdelana iz različnih materialov kot npr. kovine in plastika. Pokvarjene sestavne dele odstranite med posebne odpadke. Gorivo in olje odstranite v ustrezna zbirališča posebnih odpadkov. V ta namen povprašajte v tehnični trgovini ali na občinski upravi!

## 12. Odpravljanje napak

Napaka	Možni vzrok	Odpravljanje napak
Naprava ne vžge.	<ul style="list-style-type: none"> <li>- Napačen postopek pri zagonu.</li> <li>- Sajaste ali vlažne vžigalne svečke.</li> <li>- Napačna nastavitve uplinjača.</li> </ul>	<ul style="list-style-type: none"> <li>- Upoštevajte navodila za zagon.</li> <li>- Očistite ali zamenjajte vžigalno svečko.</li> <li>- Pojdite na pooblaščen servis ali napravo pošljite družbi ISC-GmbH.</li> </ul>
Naprava ne vžge, a ima polno moč.	<ul style="list-style-type: none"> <li>- Napačna nastavitve ročice za hladni zagon (5).</li> <li>- Onesnažen zračni filter (35).</li> <li>- Napačna nastavitve uplinjača.</li> </ul>	<ul style="list-style-type: none"> <li>- Ročico za hladni zagon postavite na „♦“.</li> <li>- Očistite zračni filter</li> <li>- Pojdite na pooblaščen servis ali napravo pošljite družbi ISC-GmbH.</li> </ul>
Motor teče neenakomerno.	<ul style="list-style-type: none"> <li>- Napačna razdalja elektrod na vžigalni svečki.</li> <li>- Napačna nastavitve uplinjača.</li> </ul>	<ul style="list-style-type: none"> <li>- Očistite vžigalno svečko ali vstavite novo vžigalno svečko.</li> <li>- Pojdite na pooblaščen servis ali napravo pošljite družbi ISC-GmbH.</li> </ul>
Motor se prekomerno dimi.	<ul style="list-style-type: none"> <li>- Napačna mešanica goriva.</li> <li>- Napačna nastavitve uplinjača.</li> </ul>	<ul style="list-style-type: none"> <li>- Uporabite pravilno mešanico goriva (glejte tabelo za mešanje goriva).</li> <li>- Pojdite na pooblaščen servis ali napravo pošljite družbi ISC-GmbH.</li> </ul>



## 13. Izjava o skladnosti

**Einhell Germany AG · Wiesenweg 22 · D-94405 Landau/Isar**



### Konformitätserklärung

- D** erklärt folgende Konformität gemäß EU-Richtlinie und Normen für Artikel
- GB** explains the following conformity according to EU directives and norms for the following product
- F** déclare la conformité suivante selon la directive CE et les normes concernant l'article
- I** dichiara la seguente conformità secondo la direttiva UE e le norme per l'articolo
- NL** verklaart de volgende overeenstemming conform EU richtlijn en normen voor het product
- E** declara la siguiente conformidad a tenor de la directiva y normas de la UE para el artículo
- P** declara a seguinte conformidade, de acordo com a directiva CE e normas para o artigo
- DK** attesterer følgende overensstemmelse i medfør af EU-direktiv samt standarder for artikel
- S** förklarar följande överensstämmelse enl. EU-direktiv och standarder för artikeln
- FIN** vakuuttaa, että tuote täyttää EU-direktiivin ja standardien vaatimukset
- EE** tõendab toote vastavust EL direktiivile ja standarditele
- CZ** vydává následující prohlášení o shodě podle směrnice EU a norem pro výrobek
- SLO** potrjuje sledečo skladnost s smernico EU in standardi za izdelek
- SK** vydáva nasledujúce prehlásenie o zhode podľa smernice EÚ a noriem pre výrobok
- H** a cikkekhez az EU-irányvonal és Normák szerint a következő konformitást jelenti ki
- PL** deklaruje zgodność wymienionego poniżej artykułu z następującymi normami na podstawie dyrektywy WE.
- BG** декларира съответното съответствие съгласно Директива на ЕС и норми за артикул
- LV** paskaidro šādu atbilstību ES direktīvai un standartiem
- LT** apibūdina šį atitikimą EU reikalavimams ir prekės normoms
- RO** declară următoarea conformitate conform directivei UE și normelor pentru articolul
- GR** δηλώνει την ακόλουθη συμμόρφωση σύμφωνα με την Οδηγία ΕΚ και τα πρότυπα για το προϊόν
- HR** potvrđuje sljedeću uskladenost prema smjernicama EU i normama za artikl
- Izjava o skladnosti za ovaj proizvod dostupna je na internet stranici [www.lidl.hr](http://www.lidl.hr).
- BIH** potvrđuje sljedeću uskladenost prema smjernicama EU i normama za artikl
- RS** potvrđuje sledeću uskladenost prema smernicama EZ i normama za artikal
- RUS** следующим удостоверяется, что следующие продукты соответствуют директивам и нормам ЕС
- UKR** проголошує про зазначену нижче відповідність виробу директивам та стандартам ЄС на виріб
- MK** ja izjavuва следната сообразност согласно EУ-директивата и нормите за артикли
- TR** Ürünü ile ilgili AB direktifleri ve normlan gereğince aşağıda açıklanan uygunluğu belirtir
- N** erklærer følgende samsvar i henhold til EU-direktivet og standarder for artikkel
- IS** Lýsir uppfyllingu EU-reglna og annarra staðla vöru

### Benzin-Sense FBS 43 A1 (Florabest)

- |                                                 |                                                                                                                                                                         |
|-------------------------------------------------|-------------------------------------------------------------------------------------------------------------------------------------------------------------------------|
| <input type="checkbox"/> 87/404/EC_2009/105/EC  | <input checked="" type="checkbox"/> 2006/42/EC                                                                                                                          |
| <input type="checkbox"/> 2005/32/EC_2009/125/EC | <input type="checkbox"/> Annex IV<br>Notified Body:<br>Notified Body No.:<br>Reg. No.:                                                                                  |
| <input type="checkbox"/> 2006/95/EC             |                                                                                                                                                                         |
| <input type="checkbox"/> 2006/28/EC             | <input checked="" type="checkbox"/> 2000/14/EC_2005/88/EC                                                                                                               |
| <input checked="" type="checkbox"/> 2004/108/EC | <input checked="" type="checkbox"/> Annex V                                                                                                                             |
| <input type="checkbox"/> 2004/22/EC             | <input type="checkbox"/> Annex VI<br>Noise measured: $L_{WA} = 104,7$ dB (A); guaranteed $L_{WA} = 110$ dB (A)<br>$P = 1,35$ KW; $L/\varnothing =$ cm<br>Notified Body: |
| <input type="checkbox"/> 1999/5/EC              |                                                                                                                                                                         |
| <input type="checkbox"/> 97/23/EC               | <input checked="" type="checkbox"/> 2006/28/EC<br>Emission No.: e11*97/68SA*2004/26*1181*00                                                                             |
| <input type="checkbox"/> 90/396/EC_2009/142/EC  |                                                                                                                                                                         |
| <input type="checkbox"/> 89/686/EC_96/58/EC     |                                                                                                                                                                         |
| <input type="checkbox"/> 2011/65/EC             |                                                                                                                                                                         |

Standard references: EN ISO 11806; EN ISO 14982

Landau/Isar, den 14.02.2012

Weichselgartner/General-Manager

Frank/Product-Management

First CE: 10  
Art.No.: 34.019.93 I.No.: 11011  
Subject to change without notice

Archive-File/Record: NAPR005246  
Documents registrar: Robert Mayn  
Wiesenweg 22, D-94405 Landau/Isar

## 14. Garancijska listina

Spoštovana stranka!

Naši proizvodi podležejo strogi kontroli kakovosti. Če ta naprava kljub temu ne bi delovala brezhibno, to zelo obžalujemo in Vas prosimo, da se obrnete na našo servisno službo na naslov, ki je naveden spodaj na tem garancijskem listu. Z veseljem smo Vam na voljo tudi telefonsko na navedeno servisno klicno številko. Za uveljavljanje garancijskih zahtevkov velja sledeče:

1. Le-ti garancijski pogoji urejajo dodatne garancijske storitve. Vaši zakonski garancijski zahtevki ostanejo s to garancijo nespremenjeni. Naše garancijske storitve so za Vas brezplačne.
2. Garancijske storitve obsegajo izključno samo pomanjkljivosti zaradi napak v materialih in izdelavi in so omejene na odpravo takšnih pomanjkljivosti oziroma na zamenjavo naprave. Prosimo, da upoštevate, da naše naprave niso konstruirane za uporabo v obrtništvu ali industriji. Garancijska pogodba zato ne pride v poštev, če se naprava uporablja v obrtništvu ali v industrijskih obratih ali v podobnih dejavnostih. Poleg tega ne obsega naša garancija nadomestil za transportne poškodbe, škodo zaradi neupoštevanja navodil za montažo ali zaradi nestrokovne inštalacije, neupoštevanja navodil za uporabo (kot n. pr. priklop na napačno omrežno napetost ali vrsto toka), pretirana ali nepravilna uporaba (kot n. pr. preobremenitev naprave ali uporaba nedovoljenih orodij ali pribora), neupoštevanje predpisov za vzdrževanje in varnostnih predpisov, vstop tujih predmetov v napravo (kot n. pr. pesek, kamenje ali prah), uporaba sile ali tuji vplivi (kot n. pr. poškodbe zaradi padca naprave) ter običajna obraba naprave zaradi uporabe. To velja še posebej za akumulatorje, za katere vendarle dajemo garancijski rok 12 mesecev. Veljavnost garancijskih zahtevkov ugasne, če so bili na npravi že izvajani posegi.
3. Garancijska doba znaša 3 leti in začne teči z dnevom nakupa naprave. Garancijske zahtevke morate uveljavljati pred potekom garancijske dobe v sveh tednih potem ko ste ugotovili napako. Uveljavljanje garancijskih zahtevkov po poteku garancijske dobe je izključeno. Popravilo ali zamenjava naprave ne privede do podaljšanja garancijske dobe, niti se ne postavi nova garancijska doba zaradi takšnih storitev ali zaradi eventualno vgrajenih nadomestnih delov. To velja tudi za servisne storitve na licu mesta.
4. Za uveljavljanje Vašega garancijskega zahtevka nam pošljite pokvarjeno napravo brez poštnine na spodaj navedeni naslov. Priložite original računa ob nakupu ali drugo potrdilo kot dokazilo o nakupu z datumom nakupa. Zato prosimo, da dobro shranite račun kot dokazilo o nakupu! Prosimo, da nam po možnosti natančno opišete vzroke reklamacije. Če napaka izpolnjuje naše garancijske pogoje, boste nemudoma dobili nazaj popravljeno ali novo napravo.

Seveda bomo proti plačilu stroškov odpravili tudi napake na napravi, katere ne spadajo v obseg garancije ali jih garancija več ne zajema. V takšnem primeru prosimo, da pošljete napravo na naslov naše servisne službe.

### **MEDIA-IMPEKS D.O.O.**

Kicar 11 g  
SI-2250 Ptuj  
Tel.: +386 599 63 540 · Fax: +386 2 796 09 21  
isc@siol.net

IAN 72317



## Obsah

1. Úvod .....	39
2. Bezpečnostní pokyny.....	39
3. Popis přístroje a rozsah dodávky .....	42
4. Použití podle účelu určení .....	42
5. Technická data .....	43
6. Před uvedením do provozu .....	43
7. Obsluha .....	45
8. Údržba a objednání náhradních dílů.....	47
9. Uložení a transport .....	49
10. Čištění .....	49
11. Likvidace a recyklace .....	49
12. Odstranění poruch .....	50
13. Prohlášení o shodě.....	51
14. Záruční list .....	52

Patisk nebo jiné rozmnožování dokumentace a průvodních listin, také ve výtazcích, je přípustný pouze s výslovným souhlasem firmy iSC GmbH.

Technické změny vyhrazeny



## 1. Úvod

Srdečně Vám blahopřejeme ke koupi Vašeho nového přístroje.

Rozhodli jste se tak pro vysoce kvalitní výrobek.

Návod k obsluze je součástí tohoto výrobku.

Obsahuje důležité informace pro bezpečnost, používání a likvidaci. Před použitím výrobku se seznamte se všemi pokyny k obsluze a bezpečnostními pokyny. Používejte přístroj pouze podle popisu a v uvedených oblastech použití. Při odevzdání výrobku předajte všechny podklady třetím osobám.

## 2. Bezpečnostní pokyny

### ⚠ Varování!

**Přečtěte si všechny bezpečnostní pokyny a instrukce.** Zanedbání při dodržování bezpečnostních pokynů a instrukcí mohou mít za následek úder elektrickým proudem, požár a/ nebo těžká zranění. **Všechny bezpečnostní pokyny a instrukce si uložte pro budoucí použití.**

### Bezpečnostní zařízení

Při práci s přístrojem musí být namontován plastový ochranný kryt pro nůž nebo pro provoz se strunou, aby se zabránilo zranění provozovatele vymrštěnými předměty. Nůž integrovaný v ochranném krytu řezné struny automaticky uřezává strunu na optimální délku.

### Vysvětlení štítku s pokyny na přístroji (obr. 14):

1. Varování!
2. Před uvedením do provozu přečíst návod k obsluze!
3. Nosit ochranu zraku, hlavy a sluchu!
4. Nosit pevnou obuv!
5. Nosit ochranné rukavice!
6. Přístroj chránit před deštěm a vlhkem!
7. Dbejte na vymrštěné díly!
8. Před údržbovými pracemi přístroj vypnout a stáhnout kabelovou koncovku zapalovací svíčky!

9. Vzdálenost mezi přístrojem a okolostojícími osobami musí činit minimálně 15 m!
10. Řezné nástroje (nůž/struna) dobíhají!
11. Pozor! Horké díly. Udržovat odstup!
12. Po každých 20 provozních hodinách doplňte trochu tuku (tekutý převodový tuk)!

### Bezpečnostní pokyny

- Přečtěte si pečlivě návod k obsluze. Obeznamte se s nastaveními a správným použitím přístroje.
- Nedovolte nikdy jiným osobám, které nečetly návod k obsluze, používat tento přístroj. Místní předpisy mohou stanovit minimální stáří uživatele.
- Nesekejte nikdy, pokud se v blízkosti nacházejí jiné osoby, obzvlášť děti nebo zvířata.

### Varování:

Dodržujte bezpečnostní vzdálenost 15 m. Při přiblížení přístroj okamžitě zastavte. Myslete na to, že je uživatel zodpovědný za nehody, které utrpí jiné osoby nebo jejich vlastnictví.

- Pozor: Nebezpečí otravy! Zplodiny, paliva a maziva jsou jedovaté, zplodiny nesmějí být vdechovány.

### Před použitím

- Během sekání je třeba vždy nosit pevnou obuv a dlouhé kalhoty. Nikdy nesekejte bosí nebo v sandálech.
- Překontrolujte terén, kde má být přístroj použit, a odstraňte všechny předměty, které by mohly být zachyceny a vymrštěny.
- Varování: Benzín je vysoce zápalný:
  - skladujte benzín pouze v určených nádobách.
  - tankujte pouze venku a během plnění nekuřte.
  - benzín je třeba před spuštěním motoru naplnit. Pokud motor běží nebo pokud je přístroj horký, nesmí být uzávěr nádrže otevřen nebo doplňován benzín.
  - když benzín přeteče, nesmí se nikdo pokoušet motor spustit. Místo toho se musí přístroj odstranit z plochy znečištěné benzinem. Je třeba se vyvarovat veškerých pokusů o spuštění, dokud se výpary benzínu neodpaří.



- z bezpečnostních důvodů je třeba palivovou nádrž a uzávěry nádrže při poškození vyměnit.

- Vyměňte defektní tlumiče výfuku.
- Před použitím je třeba vždy provést vizuální kontrolu, zda nejsou řezné nástroje, upevňovací čep a celá řezná jednotka opotřebená nebo poškozeny. Aby se zabránilo nevyvážení, smí být opotřebené nebo poškozené řezné nástroje a upevňovací čep vyměněny pouze v celé sadě.

### **Manipulace (obsluha, uložení, kontrola)**

- Noste přiléhavé pracovní oblečení, které chrání, jako jsou dlouhé kalhoty, bezpečnou obuv, pracovní rukavice odolné proti opotřebením, ochrannou přilbu, ochrannou masku pro obličej nebo ochranné brýle na ochranu očí a vatu do uší nebo jinou ochranu sluchu proti hluku.
- Uložte přístroj na bezpečném místě. Otevřete pomalu palivovou nádrž, aby se uvolnil případný tlak, který se vytvořil ve víčku nádrže. Na zabránění nebezpečí požáru se vzdalte minimálně 3 metry od oblasti tankování, než přístroj spustíte.
- Přístroj vypněte, než ho uložíte.
- Držte přístroj vždy pevně oběma rukama. Přitom by měly palec a prsty obepínat rukojeť.
- Dbejte na to, aby byly šrouby a spojovací prvky pevně utaženy. Nikdy neobsluhujte přístroj, pokud není správně nastaven, kompletně nebo bezpečně smontován.
- Dbejte na to, aby byly rukojeti suché a čisté a aby na nich nezůstaly jakékoliv zbytky palivové směsi.
- Ved'te cívku se strunou v požadované výšce. Zabraňte kontaktu cívky se strunou s malými předměty (např. kameny).
- Při sekání na svahu stůjte vždy níže než řezný nástroj. Nikdy nesekejte nebo nevyžínajte na hladkém, klouzavém kopci nebo svahu.
- Do blízkosti cívky se strunou nedávejte žádnou část těla nebo část oblečení, pokud motor spouštíte nebo ho necháte běžet. Než motor spustíte, přesvědčte se, že se cívka se strunou nedotýká žádné překážky.
- Před prací na řezném nástroji vždy zastavte motor.
- Přístroj a příslušenství skladujte bezpečně a chráněně před otevřeným ohněm a horkem/zdroji jisker jako jsou plynový průtokový ohříváč, sušičky prádla, olejová topidla nebo přenosné radiátory, atd.
- Při uložení udržujte ochranný kryt, cívku se strunou a motor vždy čisté od zbytků sekání.
- Pouze dostatečně vyškolené osoby a dospělí smějí přístroj obsluhovat, nastavovat ho a udržovat.
- Pokud nejste obeznámeni s přístrojem, vyzkoušejte si zacházení při neběžícím motoru.
- Před prací zkontrolujte terén určený k sekání, pevné předměty jako jsou kovové díly, láhve, kameny apod. mohou být vymršťeny a mohou způsobit vážná zranění uživateli a také trvale poškodit přístroj. Pokud byste se omylem měli přístrojem dotknout pevného předmětu, vypněte ihned motor a zkontrolujte přístroj, zda není případně poškozen. Nikdy nepoužívejte přístroj, pokud je poškozen nebo vykazuje nedostatky.
- Vyžínajte a sekejte vždy v horním rozsahu otáček. Nenechte motor na začátku sekání nebo během vyžínání běžet s nízkým počtem otáček.
- Používejte přístroj pouze k určenému účelu, jako je vyžínání a sekání plevele.
- Nikdy nedržte cívku se strunou nad výškou kolen, když je přístroj v provozu.
- Přístroj nepoužívejte, pokud se v bezprostřední blízkosti pohybují osoby nebo zvířata. Během sekání udržujte minimální vzdálenost 15 m mezi uživatelem a jinými osobami nebo zvířaty. Při vyžínání dohola až k zemi udržujte prosím minimální vzdálenost 30 m.

### Dodatečné pokyny

- Nepoužívejte jiné palivo než to, které je doporučeno v návodu k obsluze. Postupujte vždy podle pokynů v odstavci „Palivo a olej“ v tomto návodu. Nepoužívejte žádný benzín, který není správně smíchán s olejem pro 2dobé motory. V jiném případě hrozí nebezpečí trvalého poškození motoru, čímž zaniká nárok na záruku výrobce.
- Během tankování přístroje nebo jeho používání nekuřte.
- Nikdy přístroj neobsluhujte bez výfuku.
- Nikdy se nedotýkejte výfuku rukama ani tělem. Držte přístroj tak, aby palec a prsty obepínaly rukojeti.
- Přístroj neobsluhovat v nepohodlné poloze, při nedostatečné rovnováze, s nataženými pažemi nebo pouze jednou rukou. Používejte k obsluze vždy obě ruce, a obepněte přitom rukojeti palcem a prsty.
- Držte cívkou se strunou vždy na zemi, když je přístroj v provozu.
- Používejte přístroj pouze k určenému účelu, jako je vyžínání trávníku a sekání.
- Nepoužívejte přístroj po delší dobu, dělejte pravidelné přestávky.
- Přístroj nepoužívat pod vlivem alkoholu nebo drog.
- Přístroj používat pouze, když je upevněný příslušným ochranným kryt a tento je v dobrém stavu.
- Veškeré změny na výrobku mohou ohrozit osobní bezpečnost a způsobit propadnutí záruky výrobce.
- Nikdy přístroj nepoužívejte v blízkosti lehké zápalných kapalin nebo plynů, jak v uzavřených prostorách, tak venku. Následkem může být výbuch a/nebo požár.
- Nepoužívejte žádné jiné rezné nástroje. Z důvodů vlastní bezpečnosti používejte pouze příslušenství nebo přídavné přístroje, které jsou uvedeny v návodu k obsluze nebo byly výrobcem doporučeny nebo uvedeny. Používání jiných rezných nástrojů nebo příslušenství, které nejsou doporučeny v návodu k obsluze nebo katalogu, může pro Vás osobně znamenat nebezpečí zranění.

### Bezpečnostní opatření při manipulaci s nožem

- Dodržujte všechna upozornění a pokyny k provozu a montáži nože.
- Nůž může být prudce vymrštěn předměty, které nemůže proříznout nebo posekat.
- To může vést ke zraněním paží a nohou. Okolostojící osoby a zvířata nepouštějte do blízkosti pracoviště minimálně 15 m ve všech směrech. Pokud přístroj narazí na cizí předmět, zastavte ihned motor a počkejte, až se nůž zastaví. Překontrolujte nůž, zda není poškozen. Nůž vyměňte vždy, když je ohnutý nebo zlomený.
- Nůž prudce vymršťuje předměty. To může způsobit oslepnutí nebo zranění. Noste ochranu zraku, obličej a nohou. Než použijete nůž, odstraňte vždy předměty z pracovní oblasti.
- Před každým použitím pečlivě zkontrolujte Váš přístroj a nastavby, zda nejsou poškozeny. Nepoužívejte přístroj, pokud nejsou všechny nastavby nože řádně instalovány.
- Nůž dobíhá, když se pustí páčka plynu. Dobíhající nůž může Vám nebo okolostojícím způsobit řezná zranění. Než budete na noži provádět jakékoli práce, zastavte motor a přesvědčte se, že se nůž zastavil.
- Zóna nebezpečí o průměru 15 metrů. Okolostojící osoby mohou utrpět oslepnutí nebo zranění. Udržujte ve všech směrech vzdálenost 15 metrů mezi sebou a jinými osobami nebo zvířaty.



### 3. Popis přístroje a rozsah dodávky

#### 3.1 Popis přístroje (obr. 1-13)

1. Spojovací díl vodicí násady
2. Vodicí násada
3. Vodicí rukojeť
4. Šňůra startéru / startovací lanko
5. Páčka sytiče
6. Palivová nádrž
7. Palivové čerpadlo „Primer“
8. Kryt vzduchového filtru
9. Za-/vypínač
10. Aretace páčky plynu
11. Páčka plynu
12. Blokování páčky plynu
13. Cívka s řeznou strunou
14. Ochranný kryt řezné struny
15. Ochranný kryt nože
16. 4x šroub M5
17. Popruh
- 18a. Nůž (4 zuby)
- 18b. Nůž (3 zuby)
19. Držák vodicí rukojeti
20. Šroub pro rukojeť M8
21. Příložka Ø 8mm
22. Unášecí kotouč
23. Přítlačný kotouč
24. Kryt přítlačného kotouče
25. Matice M10 (levý závit)
26. Mísící láhev olej/benzín
27. Klíč na zapalovací svíčky
28. Rozvidlený klíč 8/10mm
29. Šestihranný klíč 4 mm
30. Šestihranný klíč 5 mm
31. Ochranná čepička pro kabelovou koncovku zapalovací svíčky
32. Šroub pro rukojeť M6
33. Matice M6
34. Příložka Ø 6mm
35. Vzduchový filtr
36. Kabelová koncovka zapalovací svíčky

Nůž (18a/18b) a cívka se strunou (13) jsou v textu shrnuty pod pojmem řezný nástroj (nadřazený pojem).

#### 3.2 Rozsah dodávky

- Otevřete balení a přístroj opatrně vyjměte z balení.
- Odstraňte obalový materiál a ochrany balení / dopravní pojistky (jsou-li k dispozici).
- Překontrolujte, zda je rozsah dodávky úplný.
- Zkontrolujte přístroj a příslušenství, zda nebyly při přepravě poškozeny.
- Balení si pokud možno uložte až do uplynutí záruční doby.

#### Pozor!

**Přístroj a obalový materiál nejsou dětská hračka! Děti si nesmějí hrát s plastovými sáčky, fóliemi a malými díly! Hrozí nebezpečí spolknutí a udušení!**

### 4. Použití podle účelu určení

Přístroj (použití nože) je vhodný k sekání vysoké trávy a řídkého křoví se 4zubým nožem a k sekání hustého křoví a slabého dřevěného porostu s 3zubým nožem.

Přístroj (použití cívky s řeznou strunou) je vhodný k sekání trávniku a slabého plevelu. Dodržování výrobcem přiloženého návodu k obsluze je předpokladem pro řádné používání přístroje. Každé jiné použití, které není v tomto návodu vysloveně povoleno, může vést ke škodám na přístroji a představovat vážné nebezpečí pro uživatele. Bezpodmínečně dodržujte výhrady v bezpečnostních pokynech.

Dbejte prosím na to, že naše přístroje nebyly podle svého účelu určení konstruovány pro živnostenské, řemeslnické nebo průmyslové použití. Nepřebíráme proto žádné ručení, pokud je přístroj používán v živnostenských, řemeslných nebo průmyslových podnicích a při srovnatelných činnostech.

Pozor! Z důvodu ohrožení uživatele nesmí být přístroj používán k následujícím pracím: čištění cest a jako drtič na drcení odřezků stromů a keřů. Dále nesmí být přístroj používán na srovnávání půdních nerovností, jako např. krtin. Z bezpečnostních důvodů nesmí být přístroj



používán jako hnací agregát pro jiné nástroje všeho druhu.

Přístroj smí být používán pouze podle svého účelu určení. Každé další, toto překračující použití, neodpovídá použití podle účelu určení. Za z toho vyplývající škody nebo zranění všeho druhu ručí uživatel/obsluhující osoba a ne výrobce.

## 5. Technická data

Typ motoru.....	2taktní, vzduchem chlazený,
.....	válec potažený tvrdochromem
Výkon motoru (max.) .....	1,35 kW/1,8 PS
Obsah válce .....	42,7 ccm
Otáčky motoru naprázdno .....	3000 min <sup>-1</sup>
Max. počet otáček motoru	
s nožem: .....	9000 min <sup>-1</sup>
s cívkou se strunou: .....	8400 min <sup>-1</sup>
Max. řezná rychlost	
s nožem: .....	6800 min <sup>-1</sup>
s cívkou se strunou: .....	6300 min <sup>-1</sup>
Zapalování.....	elektronické
Pohon .....	odstředivá spojka
Hmotnost (prázdná nádrž) .....	7,5 kg
Šířka záběru-struna Ø .....	41 cm
Šířka záběru-nůž Ø .....	23 cm
Délka struny .....	8,0 m
Struna Ø .....	2,0 mm
Obsah nádrže .....	0,8 l
Zapalovací svíčka .....	Champion RCJ6Y
Spotřeba paliva při	
max. výkonu motoru .....	0,6 kg/h
Specifická spotřeba paliva při	
max. výkonu motoru .....	446 g/kWh

### Hluk a vibrace

Hladina akustického tlaku $L_{pA}$ .....	98 dB(A)
Nejistota $K_{pA}$ .....	1,5 dB
Hladina akustického výkonu $L_{WA}$ .....	110 dB(A)
Nejistota $K_{WA}$ .....	1,5 dB

### Noste ochranu sluchu.

Působení hluku může způsobit ztrátu sluchu.

### Provoz

Emisní hodnota vibrací  $a_h = 4,1 \text{ m/s}^2$

Nejistota  $K = 1,5 \text{ m/s}^2$

### Omezte tvorbu hluku a vibrace na minimum!

- Používejte pouze přístroje v bezvadném stavu.
- Pravidelně provádějte údržbu a čištění přístroje.
- Přizpůsobte Váš způsob práce přístroji.
- Nepřetěžujte přístroj.
- V případě potřeby nechte přístroj zkontrolovat.
- Přístroj vypněte, pokud ho nepoužíváte.
- Noste rukavice.

## 6. Před uvedením do provozu

### 6.1 Montáž

#### 6.1.1 Montáž vodící rukojeti (obr. 3a-3c)

Namontujte vodící rukojeť (3) tak, jak je znázorněno na obr. 3a-3c. Utáhněte šroub (20) teprve tehdy, pokud jste nastavili optimální pracovní polohu pomocí popruhu (17) (viz k tomu také odstavec 6.2). Vodicí rukojeť by měla být vyrovnána tak, jak je znázorněno na obr. 1. Demontáž se provádí opačně.

#### 6.1.2 Montáž vodící násady (obr. 4a - 4c)

Zasuňte šroub pro rukojeť (32) příložkou (34) do spojovacího dílu vodící násady (1). Sešroubujte volně šroub pro rukojeť s maticí (33). Stiskněte nyní aretační páčku (A) a opatrně nasuňte vodící násadu (obr. 4a/pol. 2) do spojovacího dílu vodící násady. Dbejte přitom na to, aby hnací hřídele uvnitř vodící násady zapadaly do sebe, popřípadě se lehce točily na cívce se strunou (13) / noži (18a/18b). Výstupek aretační páčky (A) musí zaskočit do otvoru (B). Nyní utáhněte šroub pro rukojeť tak, jak je znázorněno na obr. 4c. K demontáži je potřeba šroub pro rukojeť pouze povolit a aktivovat aretační páčku.



### 6.1.3 Montáž ochranného krytu nože

Pozor: Při práci s nožem musí být namontován ochranný kryt nože (15).

Montáž ochranného krytu nože se provádí tak, jak je znázorněno na obrázcích 5a – 5b.

### 6.1.4 Montáž/výměna nože

Montáž nože (18a/18b) je znázorněna na obrázcích 6a–6g. Demontáž se provádí v opačném pořadí.

- Unášecí kotouč (22) nasadit na ozubenou hřídel tak, jak je znázorněno na obr. 6b.
- Nůž (18a/18b) zaaretovat na unášecím kotouči (obr. 6c).
- Přítlačný kotouč (23) nasadit na závit ozubené hřídele (obr. 6d)
- Nasadit kryt přítlačného kotouče (24) (obr. 6e)
- Vyhledat otvor unášecího kotouče, vyrovnat s pod ním ležícím zářezem a unášecí kotouč aretovat pomocí dodaného šestihřanného klíče (29), abyste nyní mohli utáhnout matici (25) pomocí klíče na zapalovací svíčky (27) (obr. 6f/6g). Pozor: Levý závit
- Nože (18a/18b) jsou při expedici opatřeny plastovými ochrannými čepičkami. Ty je třeba před použitím odstranit a pak opět nasadit.

### 6.1.5 Montáž ochranného krytu řezné struny na ochranném krytu nože

Pozor: Při práci s řeznou strunou musí být dodatečně namontován ochranný kryt řezné struny (14).

Montáž ochranného krytu řezné struny se provádí tak, jak je znázorněno na obrázcích 7a – 7b. Dbejte na to, aby ochranný kryt správně zaskočil. Na spodní straně ochranného krytu je umístěn nůž (obr. 7a/ pol. F) na automatickou regulaci délky struny. Ten je zakryt pomocí ochrany (obr. 7a/ pol. G).

Před začátkem práce tuto ochranu odstraňte a po práci ji opět nasadte.

### 6.1.6 Montáž/výměna cívky se strunou

Montáž cívky se strunou (13) je znázorněna na obr. 7c. Demontáž se provádí opačně. Cívka se strunou je při expedici již namontovaná.

Vyhledat otvor unášecího kotouče (22), vyrovnat s pod ním ležícím zářezem a unášecí kotouč aretovat pomocí dodaného šestihřanného klíče (29), abyste nyní mohli našroubovat cívku se strunou na závit. **Pozor:** Levý závit

### 6.2 Nastavení výšky sekání

- Popruh (17) přehodit přes rameno podle obrázků 8a-8c.
- Přístroj zaháknout na popruhu (obr. 8d).
- Pomocí různých regulátorů na popruhu nastavit optimální pracovní a sekací polohu (obr. 8e).
- Na zjištění optimální délky popruhu proveďte poté pár kmitavých pohybů bez spuštění motoru (obr. 9a).

Popruh je vybaven rychlootvácím mechanismem. Pokud je potřeba přístroj rychle sundat, zatáhněte za červenou část popruhu (obr. 8f).

**Pozor:** Během práce popruh vždy používejte.

Popruh si nasadte ihned poté, co jste motor spustili a tento běží naprázdno. Motor vypněte předtím, než popruh sundáte.

### 6.3 Palivo a olej

Doporučená paliva

Používejte pouze směs z bezolovnatého benzínu a speciálního oleje pro 2dobé motory.

Namíchejte palivovou směs podle tabulky palivových směsí.

**Pozor:** Nepoužívejte žádnou palivovou směs, která byla skladována déle než 90 dní.

**Pozor:** Nepoužívejte žádný olej pro 2dobé motory, u kterého se doporučuje poměr směsi 100:1. Při škodách na motoru na základě nedostatečného mazání odpadá záruka výrobce na motor.

**Pozor:** K transportu a uložení paliva používejte pouze určené a schválené nádoby. Nalijte vždy správné množství benzínu a oleje pro dvoudobé motory do přiložené láhve (viz stupnice na láhvi). Nakonec nádobu dobře protřepte.

## 6.4 Tabulka palivových směsí

Směsný postup: 40 dílů benzínu na 1 díl oleje

Benzín	Olej pro 2dobé motory
1 litr	25 ml
5 litrů	125 ml

## 7. Obsluha

Dodržujte prosím zákonná nařízení na ochranu proti hluku, která se mohou místně odlišovat.

Před každým uvedením do provozu zkontrolujte přístroj na:

- těsnost palivového systému.
- bezvadný stav a úplnost ochranných a řezných zařízení.
- pevnost všech šroubových spojů.
- lehkost chodu všech pohyblivých dílů.

### 7.1 Spuštění motoru ve studeném stavu

Naplňte do nádrže směs benzínu/oleje. Viz také "Palivo a olej".

1. Přístroj postavit na pevný a rovný podklad.
2. Palivové čerpadlo (Primer) (obr. 1/pol. 7) 10x zmáčknout.
3. Za-/vypínač (obr. 1/pol. 9) nastavit do polohy „I“.
4. Zajistit páčku plynu (obr. 1/pol. 11). K tomu zmáčknout blokování páčky plynu (obr. 1/pol. 12) a poté páčku plynu (obr. 1/pol. 11) a současným stisknutím aretace (obr. 1/pol. 10) páčku plynu zajistit.
5. Páčku sytiče (obr. 1/pol. 5) nastavit do polohy „I“.
6. Přístroj pevně držet a zatáhnout za startovací lanko (obr. 1/pol. 4) až po první odpor. Nyní zatáhnout za startovací lanko 4x rychle za sebou. Přístroj by se měl spustit.

**Pozor:** Nenechte startovací lanko vymrštit zpět. To může vést k poškozením.

**Pozor:** Prostřednictvím zajištěné páčky plynu začne řezný nástroj při spuštění motoru pracovat.

Nakonec páčku plynu jednoduše odblokovat. Současně se stlačením páčky plynu odblokuje páčka sytiče. (Motor se vrátí do chodu naprázdno).

7. Pokud motor nenaskočí, opakujte kroky 4-6. Informace: Pokud motor i po několika pokusech nenaskočí, přečtěte si prosím odstavec „Odstranění poruch“. Informace: Startovací lanko vytahujte vždy rovně. Pokud je vytaženo pod úhlem, vznikne na očku tření. Tímto třením se šňůra startéru odírá a rychleji se opotřebuje. Vždy držte startovací lanko, když se šňůra vrací zpět. Nikdy nenechte šňůru startéru z vytaženého stavu rychle vrátit zpět.

### 7.2 Spuštění motoru v teplém stavu

(Přístroj byl zastaven na méně než 15-20 min.)

1. Přístroj postavit na pevný a rovný podklad.
2. Za-/vypínač (obr. 1/pol. 9) nastavit do polohy „I“.
3. Páčku plynu (obr. 1/pol. 11) zajistit (analogicky podle „Spuštění motoru ve studeném stavu“).
4. Přístroj pevně držet a zatáhnout za startovací lanko až po první odpor. Nyní zatáhnout rychle za startovací lanko. Přístroj by se měl po 1-2 zataženích spustit. Pokud by přístroj i po 6 zataženích pořád nenaskočil, opakujte kroky 1-7 pro spuštění motoru ve studeném stavu.

### 7.3 Zastavení motoru

#### Postup při nouzovém vypnutí:

Pokud je nutné přístroj ihned zastavit, nastavte za-/vypínač (9) do polohy „Stop“, resp. „0“

#### Normální postup:

Pusťte páčku plynu (11) a počkejte, až motor přejde do rychlosti chodu naprázdno. Poté nastavte za-/vypínač (9) do polohy „Stop“, resp. „0“.



## 7.4 Pracovní pokyny

Před použitím přístroje si vyzkoušejte veškeré způsoby práce při zastaveném motoru.

**Varování:** Buďte maximálně opatrní při „vyžínání dohola“. Udržujte při těchto pracích vzdálenost 30 metrů mezi sebou a jinými osobami nebo zvířaty.

### Prodloužení řezné struny

Varování! Nepoužívejte v cívce se strunou kovový drát nebo plastifikovaný kovový drát. Toto může vést k těžkým zraněním uživatele.

Na prodloužení struny (13) nechte motor běžet na plný plyn a fukněte cívkou se strunou o zem. Struna se automaticky prodlouží. Nůž na ochranném krytu zkrátí strunu na přípustnou délku (obr. 9b).

**Pozor:** Odstraňujte pravidelně zbytky trávy a plevel, aby se zabránilo přehřátí přístroje. Zbytky trávníku/trávy/plevel se zachycují pod ochranným krytem (obr. 9c), což zabraňuje dostatečnému chlazení přístroje. Opatrně tyto zbytky odstraňte pomocí šroubováku nebo podobného předmětu.

### Různé postupy sekání

Pokud je přístroj správně smontován, seká plevel a vysokou trávu na těžko přístupných místech, jako např. podél plotů, zdí a základů nebo stromů. Je možné ho použít také k „vyžínání dohola“, k odstranění vegetace na lepší přípravu k založení zahrady nebo vyčištění určité oblasti blízko u země.

**Informace:** Také při opatrném použití má sekání okolo základů, kamenných nebo betonových zdí atd. za následek větší opotřebení struny, než v normálním případě.

### Vyžínání / sekání (s cívkou se strunou/nožem)

Pohybuje přístroj před sebou z jedné strany na druhou jako s normální kosou. Řezný nástroj držte během práce vždy paralelně k zemi. Oblast určenou k sekání překontrolujte a stanovte správnou výšku sekání. Držte řezný nástroj v požadované výšce, aby bylo dosaženo stejnoměrné výšky sekání (obr. 9d).

### Nízké vyžínání (s cívkou se strunou)

Držte přístroj lehce nakloněn přesně před sebou tak, aby se spodní strana cívky se strunou nacházela nad zemí a struna zasáhla správné místo sekání. Sekejte vždy směrem od sebe. Nepohybujte přístroj směrem k sobě.

### Sekání u plotů / základů (s cívkou se strunou)

Přibližujte se pomalu k drátěným plotům, dřevěným plotům, zdem z přírodního kamene a základům, abyste mohli sekat blízko nich, ale bez toho, abyste strunou narazili na překážku. Pokud se struna dotkne kamenů, kamenných zdí nebo základů, opotřebí se nebo se roztřepí. Pokud struna narazí na pletivo plotu, ulomí se.

### Vyžínání okolo stromů (s cívkou se strunou)

Pokud vyžínáte okolo kmenů stromů, přibližujte se pomalu, aby se struna nedotkla kůry. Strom obejděte a dbejte přitom na to, abyste strom nepoškodili. Přibližujte se k trávě a plevelu špičkou struny a naklopte cívku se strunou mírně dopředu.

### Vyžínání dohola (s cívkou se strunou)

Při vyžínání dohola odstraníte veškerou vegetaci až na hlínu. Naklopte k tomu cívku se strunou v úhlu cca 30° doprava. Nastavte rukojeť do požadované polohy (obr. 9e).  
Pozor! Zvýšené riziko zranění uživatele, okolostojících osob a zvířat, jakož i poškození majetku vymršťovanými objekty (např. kameny).



**Pozor!** Neodstraňujte přístrojem žádné předměty z cest atd.!

Benzínová kosa je silný přístroj a malé kameny nebo jiné předměty mohou být vymrštěny až do vzdálenosti 15 metrů a více a vést ke zraněním nebo škodám na vozidlech, domech a oknech.

### Řezání

Přístroj není vhodný k řezání.

### Zablokování

Pokud se řezný nástroj kvůli husté vegetaci zablokuje, okamžitě zastavte motor. Odstraňte z přístroje trávu a roští, než ho opět uvedete do provozu.

### Zabránění zpětnému vrhu

Při práci s nožem hrozí nebezpečí zpětného vrhu, pokud se nůž dostane na pevné překážky (kmen stromu, větve, pařezy, kameny nebo podobné předměty). Přístroj je přitom vymrštěn proti směru otáčení řezného nástroje. To může vést ke ztrátě kontroly nad přístrojem. Nepoužívejte nůž v blízkosti plotů, kovových sloupů, hraničních kamenů nebo základů.

K sekání slabého dřevěného porostu polohujte přístroj tak, jak je znázorněno na obr. 9f, aby se zabránilo zpětným vrhům.

## 8. Údržba a objednání náhradních dílů

Před údržbovými pracemi přístroj vždy vypněte a stáhněte kabelovou koncovku zapalovací svíčky (36).

### 8.1 Výměna cívky se strunou/řezné struny

1. Cívku se strunou (13) demontovat tak, jak je znázorněno v odstavci 6.1.6. Cívku stlačit (obr. 12a) a odebrat jednu polovinu krytu (obr. 12b).
2. Držák cívky (K) odebrat z krytu cívky se strunou (obr. 12c).
3. Příp. zbytek struny odstranit.
4. Novou strunu složit uprostřed a vzniklou smyčku zavěsit do otvorů držáku cívky. (obr.

12d)

5. Cívku pod napětím navinout proti směru hodinových ručiček. Držák cívky přitom odděluje obě poloviny struny. (obr. 12e)
6. Posledních 15 cm obou konců struny zaháknout do protilehlých držáků struny v držáku cívky. (obr. 12f)
7. Oba konce struny protáhnout kovovými oky pouzdra cívky se strunou (obr. 12c).
8. Držák cívky zatlačit do pouzdra cívky se strunou (obr. 12b).
9. Krátce a silou zatáhnout za oba konce struny a vytáhnout je tím z držáků struny.
10. Spojte obě poloviny krytu opět dohromady.
11. Přebytečnou strunu uříznout na cca 13 cm. Toto sníží zátěž motoru při spouštění a zahřívání.
12. Cívku se strunou opět namontovat (viz odstavec 6.1.6). Pokud bude vyměněna celá cívka se strunou, je třeba přeskočit body 3-6.

### 8.2 Údržba vzduchového filtru

Znečištěné vzduchové filtry snižují výkon motoru sníženým přívodem vzduchu do karburátoru. Pravidelná kontrola je proto nevyhnutelná.

Vzduchový filtr (35) by měl být kontrolován každých 25 provozních hodin a v případě potřeby vyčištěn. V případě velmi prašného prostředí je třeba vzduchový filtr kontrolovat častěji.

1. Odstraňte kryt vzduchového filtru (obr. 10a/pol. 8)
2. Odeberte vzduchový filtr (obr. 10b/10c)
3. Vyčistěte vzduchový filtr vyklepáním nebo vyfouknutím (stlačeným vzduchem).
4. Montáž se provádí v opačném pořadí.

**Pozor:** Vzduchový filtr nikdy nečistit benzínem nebo hořlavými rozpouštědly.

### 8.3 Údržba zapalovací svíčky

Vzdálenost elektrod = 0,6 mm (vzdálenost mezi elektrodami, mezi kterými vzniká zapalovací jiskra). Utáhněte zapalovací svíčku s 12 až 15 Nm pomocí momentového klíče (k dostání v odborném obchodě). Svíčku poprvé zkontrolujte po 10 provozních hodinách, zda není znečištěna, a v případě potřeby ji vyčistěte pomocí měděného drátěného kartáče.

Poté provádět údržbu každých 50 provozních hodin.

1. Demontujte ochrannou čepičku (obr. 10c/pol. 31) pomocí šroubováku.
2. Stáhněte kabelovou koncovku zapalovací svíčky (obr. 11a/pol. 36).
3. Odeberte zapalovací svíčku (obr. 11b) pomocí příloženého klíče na zapalovací svíčky (27).
4. Montáž se provádí v opačném pořadí.

### 8.4 Broušení nože z ochranného krytu

Nůž z ochranného krytu (obr. 7a/pol. F) se může časem otupit. Pokud toto zjistíte, povolte 2 šrouby, kterými je nůž upevněn na ochranném krytu.

Upněte nůž ve svěráku. Pomocí plochého pilníku nůž nabrušte a dbejte na to, aby byl zachován úhel ostří nože. Pilujte jen jedním směrem.

### 8.5 Nastavení karburátoru

**Pozor:** Nastavení na karburátoru smí být prováděny pouze autorizovaným zákaznickým servisem.

Pro všechny práce na karburátoru musí být nejdříve demontován kryt vzduchového filtru tak, jak je znázorněno na obr. 10a a 10b.

### Nastavení lanka plynu:

Pokud už v průběhu času nebude dosažen maximální počet otáček přístroje a budou vyloučeny všechny jiné příčiny podle odstavce „Odstranění poruch“, je eventuálně potřebné nastavení lanka plynu.

K tomu nejdříve překontrolujte, zda karburátor při zcela zmáčknuté páčce plynu zcela otvírá. To je v případě, když je šoupátko karburátoru (obr. 13a/pol. F) při zcela zmáčknutém plynu úplně otevřeno.

Obrázek 13a ukazuje správné nastavení. Pokud

by šoupátko karburátoru nebylo úplně otevřeno, je nutné dodatečné nastavení.

Na dodatečné nastavení lanka plynu jsou potřebné následující kroky:

- Uvolněte pojistnou matici (obr. 13b/pol. C) o několik otočení.
- Vyšroubujte regulační šroub (obr. 13b/pol. D) tak dalece, až bude šoupátko karburátoru při zcela zmáčknutém plynu úplně otevřeno tak, jak je znázorněno na obr. 13a.
- Pojistnou matici opět utáhněte.

### Nastavení volnoběhu:

**Pozor!** Volnoběh nastavit v teplém provozním stavu.

Pokud se motor při nezmáčknuté páčce plynu zastaví a byly vyloučeny všechny jiné příčiny podle odstavce „Odstranění poruch“, je eventuálně potřebné seřízení volnoběhu. Otočte k tomu šroubek volnoběhu (obr. 13b/pol. E) ve směru otáčení hodinových ručiček, až bude přístroj bezpečně běžet v chodu naprázdno. Pokud je volnoběh tak vysoký, že se řezný nástroj také otáčí, musí být otáčením šroubku volnoběhu dolů snížen tak dalece, až se řezný nástroj zastaví.

### 8.6 Mazání převodovky

Doplňte každých 20 provozních hodin trochu tekutého převodového tuku (cca 10 g). Vyšroubujte k tomu šroub H (obr. 7c).

### 8.7 Ochrana životního prostředí

Znečištěný údržbový materiál a provozní látky odevzdat v příslušné sběrně.

Obalový materiál, kovy a plasty odevzdat k recyklaci.

### 8.8 Objednání náhradních dílů

Při objednávce náhradních dílů je třeba uvést následující údaje:

- Typ přístroje
- Číslo artiklu přístroje
- Identifikační číslo přístroje

Aktuální ceny a informace naleznete na [www.isc-gmbh.info](http://www.isc-gmbh.info)

## 9. Uložení a transport

### 9.1 Uložení

**Pozor:** Nikdy neukládejte přístroj déle než 30 dní, aniž byste prošli následující kroky.

#### Uložení přístroje

Pokud chcete přístroj uložit na déle než 30 dní, musí být na to připraven. V jiném případě se vypaří zbylé palivo, které se nachází v karburátoru, a zanechá v něm pryžovou sedimentinu. To by mohlo ztížit spuštění a mít za následek drahé opravy.

1. Odeberte pomalu víčko nádrže, aby se uvolnil případný tlak v nádrži. Opatrně vyprázdněte nádrž (6).
2. Spusťte motor a nechte ho běžet, dokud se nezastaví, aby mohlo být palivo odstraněno z karburátoru.
3. Nechte motor ochladit (cca 5 minut).
4. Odstraňte zapalovací svíčku (viz 8.3)
5. Naplňte 1 čajovou lžičku čistého oleje pro 2dobé motory do spalovací komory. Zatáhněte několikrát pomalu za startovací lanko, aby se vnitřní komponenty potáhly vrstvou oleje. Zapalovací svíčku opět nasadte.

**Pokyn:** Uložte přístroj na suchém místě a daleko od možných zápalných zdrojů, např. kamen, plynového průtokového ohříváče vody, plynové sušičky, atd.

#### Opětné uvedení do provozu

1. Odstraňte zapalovací svíčku (viz 8.3).
2. Zatáhněte rychle za startovací lanko, aby se odstranil přebytečný olej ze spalovací komory.
3. Vyčistěte zapalovací svíčku a dbejte na správnou vzdálenost elektrod na zapalovací svíčce; nebo nasadte novou zapalovací svíčku se správnou vzdáleností elektrod.
4. Připravte přístroj k provozu.
5. Naplňte do nádrže správnou palivovou směs benzín/olej. Viz odstavec „Palivo a olej“.

### 9.2 Transport

Pokud chcete přístroj transportovat, vyprázdněte palivovou nádrž tak, jak je vysvětleno v odstavci „Uložení“. Vyčistěte přístroj kartáčkem nebo smetáčkem od hrubých nečistot. Demontujte vodící rukojeť a vodící násadu tak, jak je vysvětleno v odstavci 6.1.1 a 6.1.2.

## 10. Čištění

Před čistícími pracemi přístroj vždy vypněte a stáhněte kabelovou koncovku zapalovací svíčky.

- Po každém použití by měl být přístroj důkladně vyčištěn. Obzvláště řezný nástroj a ochranné kryty.
- Udržujte větrací otvory a kryt motoru tak prosté prachu a nečistot, jak jen to je možné. Otřete přístroj čistým hadrem nebo ho profoukněte stlačeným vzduchem při nízkém tlaku.
- Nejlépe odstraníte nečistoty a trávu hned po sekání.
- Pravidelně přístroj čistěte vlhkým hadrem a trochou mazlavého mýdla. Nepoužívejte čistící prostředky nebo rozpouštědla; tyto by mohly narušit plastové díly přístroje. Dbejte na to, aby se do přístroje nedostala voda.

## 11. Likvidace a recyklace

Přístroj je uložen v balení, aby bylo zabráněno poškození při přepravě. Toto balení je surovina a tím znovu použitelné nebo může být dáno zpět do cirkulace surovin. Přístroj a jeho příslušenství jsou vyrobeny z rozdílných materiálů, jako např. kov a plasty. Defektní součástky odevzdejte k likvidaci zvláštních odpadů. Zeptejte se v odborné prodejně nebo na místním zastupitelství!



## 12. Odstranění poruch

Porucha	Možná příčina	Odstranění poruchy
Přístroj nenaskočí.	<ul style="list-style-type: none"> <li>- Chybný postup při startu.</li> <li>- Zakarbonovaná nebo vlhká zapalovací svíčka</li> <li>- Chybné nastavení karburátoru</li> </ul>	<ul style="list-style-type: none"> <li>- Postupujte podle pokynů ke spuštění</li> <li>- Zapalovací svíčku vyčistit nebo vyměnit za novou.</li> <li>- Vyhledat autorizovaný zákaznický servis nebo zaslat přístroj na adresu firmy ISC-GmbH.</li> </ul>
Přístroj naskočí, ale nepodává plný výkon.	<ul style="list-style-type: none"> <li>- Chybné nastavení páčky sytiče (5)</li> <li>- Znečištěný vzduchový filtr (35)</li> <li>- Chybné nastavení karburátoru</li> </ul>	<ul style="list-style-type: none"> <li>- Páčku sytiče nastavit do polohy „♦“.</li> <li>- Vzduchový filtr vyčistit</li> <li>- Vyhledat autorizovaný zákaznický servis nebo zaslat přístroj na adresu firmy ISC-GmbH.</li> </ul>
Motor běží nepravidelně	<ul style="list-style-type: none"> <li>- Chybná vzdálenost elektrod na zapalovací svíčke</li> <li>- Chybné nastavení karburátoru</li> </ul>	<ul style="list-style-type: none"> <li>- Zapalovací svíčku vyčistit a nastavit vzdálenost elektrod nebo namontovat svíčku novou.</li> <li>- Vyhledat autorizovaný zákaznický servis nebo zaslat přístroj na adresu firmy ISC-GmbH.</li> </ul>
Motor nadměrně kouří.	<ul style="list-style-type: none"> <li>- Špatná palivová směs</li> <li>- Chybné nastavení karburátoru</li> </ul>	<ul style="list-style-type: none"> <li>- Použít správnou palivovou směs (viz Tabulka palivových směsí)</li> <li>- Vyhledat autorizovaný zákaznický servis nebo zaslat přístroj na adresu firmy ISC-GmbH.</li> </ul>

## 13. Prohlášení o shodě

Einhell Germany AG · Wiesenweg 22 · D-94405 Landau/Isar



## Konformitätserklärung

- D** erklärt folgende Konformität gemäß EU-Richtlinie und Normen für Artikel
- GB** explains the following conformity according to EU directives and norms for the following product
- F** déclare la conformité suivante selon la directive CE et les normes concernant l'article
- I** dichiara la seguente conformità secondo la direttiva UE e le norme per l'articolo
- NL** verklaart de volgende overeenstemming conform EU richtlijn en normen voor het product
- E** declara la siguiente conformidad a tenor de la directiva y normas de la UE para el artículo
- P** declara a seguinte conformidade, de acordo com a directiva CE e normas para o artigo
- DK** attesterer følgende overensstemmelse i medfør af EU-direktiv samt standarder for artikel
- S** förklarar följande överensstämmelse enl. EU-direktiv och standarder för artikeln
- FIN** vakuuttaa, että tuote täyttää EU-direktiivin ja standardien vaatimukset
- EE** tõendab toote vastavust EL direktiivile ja standarditele
- CZ** vydává následující prohlášení o shodě podle směrnice EU a norem pro výrobek
- SLO** potrjuje sledečo skladnost s smernico EU in standardi za izdelek
- SK** vydáva nasledujúce prehlásenie o zhode podľa smernice EÚ a noriem pre výrobok
- H** a cikkekhez az EU-irányvonal és Normák szerint a következő konformitást jelenti ki
- PL** deklaruje zgodność wymienionego poniżej artykułu z następującymi normami na podstawie dyrektywy WE.
- BG** декларира съответното съответствие съгласно Директива на ЕС и норми за артикул
- LV** paskaidro šādu atbilstību ES direktīvai un standartiem
- LT** apibūdina šį atitikimą EU reikalavimams ir prekės normoms
- RO** declară următoarea conformitate conform directivei UE și normelor pentru articolul
- GR** δηλώνει την ακόλουθη συμμόρφωση σύμφωνα με την Οδηγία ΕΚ και τα πρότυπα για το προϊόν
- HR** potvrđuje sljedeću uskladenost prema smjernicama EU i normama za artikl
- IS** Izjava o sukladnosti za ovaj proizvod dostupna je na internet stranici www.lidl.hr.
- BIH** potvrđuje sljedeću uskladenost prema smjernicama EU i normama za artikl
- RS** potvrđuje sledeću uskladenost prema smernicama EZ i normama za artikal
- RUS** следующим удостоверяется, что следующие продукты соответствуют директивам и нормам ЕС
- UKR** проголошує про зазначену нижче відповідність виробу директивам та стандартам ЄС на виріб
- MK** ja izjavува следната сообразност согласно EУ-директивата и нормите за артикли
- TR** Ürünü ile ilgili AB direktifleri ve normları gereğince aşağıda açıklanan uygunluğu belirtir
- N** erklærer følgende samsvar i henhold til EU-direktiv og standarder for artikkel
- IS** Lýsir uppfyllingu EU-reglna og annarra staðla vöru

## Benzin-Sense FBS 43 A1 (Florabest)

- |                                                 |                                                                                                                                                                         |
|-------------------------------------------------|-------------------------------------------------------------------------------------------------------------------------------------------------------------------------|
| <input type="checkbox"/> 87/404/EC_2009/105/EC  | <input checked="" type="checkbox"/> 2006/42/EC                                                                                                                          |
| <input type="checkbox"/> 2005/32/EC_2009/125/EC | <input type="checkbox"/> Annex IV<br>Notified Body:<br>Notified Body No.:<br>Reg. No.:                                                                                  |
| <input type="checkbox"/> 2006/95/EC             |                                                                                                                                                                         |
| <input type="checkbox"/> 2006/28/EC             | <input checked="" type="checkbox"/> 2000/14/EC_2005/88/EC                                                                                                               |
| <input checked="" type="checkbox"/> 2004/108/EC | <input checked="" type="checkbox"/> Annex V                                                                                                                             |
| <input type="checkbox"/> 2004/22/EC             | <input type="checkbox"/> Annex VI<br>Noise measured: $L_{WA} = 104,7$ dB (A); guaranteed $L_{WA} = 110$ dB (A)<br>$P = 1,35$ KW; $L/\varnothing =$ cm<br>Notified Body: |
| <input type="checkbox"/> 1999/5/EC              |                                                                                                                                                                         |
| <input type="checkbox"/> 97/23/EC               | <input checked="" type="checkbox"/> 2006/28/EC<br>Emission No.: e11*97/68SA*2004/26*1181*00                                                                             |
| <input type="checkbox"/> 90/396/EC_2009/142/EC  |                                                                                                                                                                         |
| <input type="checkbox"/> 89/686/EC_96/58/EC     |                                                                                                                                                                         |
| <input type="checkbox"/> 2011/65/EC             |                                                                                                                                                                         |

Standard references: EN ISO 11806; EN ISO 14982

Landau/Isar, den 14.02.2012

Weichselgartner/General-Manager

Frank/Product-Management

First CE: 10  
Art.No.: 34.019.93 I.No.: 11011  
Subject to change without notice

Archive-File/Record: NAPR005246  
Documents registrar: Robert Mayn  
Wiesenweg 22, D-94405 Landau/Isar

## 14. Záruční list

Vážená zákaznice, vážený zákazníku,  
naše výrobky podléhají přísné kontrole kvality. Pokud i přesto tento přístroj bezvadně nefunguje, velice toho litujeme a prosíme Vás, abyste se obrátili na náš zákaznický servis, jehož adresa je uvedena na tomto záručním listu. Rádi Vám budeme k dispozici také telefonicky na níže uvedeném servisním čísle. Pro uplatňování nároků na záruku platí následující:

1. Tyto záruční podmínky upravují dodatečný záruční servis. Vašich zákonných nároků na záruku se tato záruka netýká. Náš záruční servis je pro Vás bezplatný.
2. Záruční servis se vztahuje výhradně na nedostatky, které lze odvodit z vad materiálu nebo výrobních vad a je také omezen pouze na odstranění těchto nedostatků, resp. výměnu přístroje. Dbejte prosím na to, že naše přístroje nebyly podle svého účelu určeny konstruovány pro živnostenské, řemeslnické nebo průmyslové použití. Záruční smlouva tak není realizována, pokud byl přístroj používán v živnostenských, řemeslných nebo průmyslových podnicích a při srovnatelných činnostech. Z naší záruky je dále vyloučeno poskytnutí náhrady za dopravní škody, škody způsobené nedodržováním montážního návodu nebo z důvodů neodborné instalace, nedodržování návodu k použití (jako např. připojení na chybné síťové napětí nebo druh proudu), nedovoleného nebo neodborného používání (jako např. přetížení přístroje nebo použití neschválených vložných nástrojů nebo příslušenství), nedodržování pokynů pro údržbu a bezpečnostních pokynů, vniknutí cizích těles do přístroje (jako např. písek, kameny nebo prach), použití násilí nebo poškození v důsledku cizích vlivů (jako např. škody způsobené pádem), jakož také běžného opotřebení způsobeného používáním. To platí obzvláště pro akumulátory, na které přesto poskytujeme záruční lhůtu 12 měsíců. Nárok na záruku zaniká, pokud bylo do přístroje již zasahováno.
3. Záruční doba činí 3 roky a začíná datem koupě přístroje. Nároky na záruku před vypršením záruční doby je třeba uplatňovat během dvou týdnů od zjištění defektu. Uplatňování nároků na záruku po vypršení záruční doby je vyloučeno. Oprava nebo výměna přístroje nevede k prodloužení záruční doby, ani k zahájení nové záruční doby za provedený výkon pro přístroj nebo pro případné zamontované náhradní díly. Toto platí také v případě servisu v místě Vašeho bydliště.
4. Při uplatňování Vašeho nároku na záruku zašlete prosím přístroj bez poštovního na níže uvedenou adresu. Přiložte originál prodejního dokladu nebo jiného datovaného potvrzení o koupi. Pokladní lístek si proto dobře uložte jako důkaz! Popište nám prosím pokud možno přesně důvod reklamace. Je-li defekt přístroje v našem záručním servisu obsažen, obdržíte obratem opravený nebo nový přístroj.

Samozřejmě rádi za úhradu nákladů odstraníme defekty na přístroji, které nespadají nebo již nespadají do rozsahu záruky. K tomu nám přístroj prosím zašlete na naši servisní adresu.

**Einhell UNICORE s.r.o.**

Holečkova 4  
CZ-360 17 Karlovy Vary  
Czech Republic  
Tel.: +420 353 440 245 · Fax: +420 359 607 228  
E-Mail: servis@einhell.cz

IAN 72317



## Obsah

1. Úvod .....	54
2. Bezpečnostné pokyny .....	54
3. Popis prístroja a objem dodávky .....	57
4. Správne použitie prístroja .....	57
5. Technické údaje .....	58
6. Pred uvedením do prevádzky .....	58
7. Obsluha .....	60
8. Údržba a objednanie náhradných dielov .....	62
9. Skladovanie a preprava .....	64
10. Čistenie .....	65
11. Likvidácia a recyklácia .....	65
12. Odstraňovanie porúch .....	66
13. Prehlásenie o zhode .....	67
14. Záručný list .....	68

Dodatočná tlač alebo iné reprodukovanie dokumentácie a sprievodných dokladov výrobkov, taktiež ich častí, je prípustná len s výslovným súhlasom spoločnosti iSC GmbH.

Technické zmeny vyhradené



## 1. Úvod

Srdečne blahoželáme ku kúpe Vášho nového prístroja. Rozhodli ste sa tak pre vysoko kvalitný výrobok. Návod na obsluhu je súčasťou tohto výrobku. Obsahuje dôležité pokyny pre bezpečnosť, používanie a likvidáciu. Oboznámte sa pred použitím výrobku so všetkými obslužnými a bezpečnostnými pokynmi. Používajte tento výrobok len podľa popisu a v uvedených oblastiach použitia. Odovzdajte všetky podklady spolu s výrobkom v prípade odovzdania výrobku tretím osobám.

## 2. Bezpečnostné pokyny

### ⚠ Výstraha!

**Prečítajte si všetky bezpečnostné predpisy a pokyny.** Nedostatky pri dodržovaní bezpečnostných predpisov a pokynov môžu mať za následok úraz elektrickým prúdom, vznik požiaru a/alebo ťažké poranenia. **Všetky bezpečnostné predpisy a pokyny si odložte pre budúce použitie.**

### Bezpečnostné prípravky

Pri práci s prístrojom musí byť namontovaný príslušný umelohmotný ochranný kryt pre nože alebo vláknovú prevádzku, aby sa zabránilo odmršteniu predmetov. Nôž integrovaný do ochranného krytu vlákna strihá automaticky rezacie vlákno na optimálnu dĺžku.

### Vysvetlenie výstražných štítkov na prístroji (obr. 14):

1. Výstraha!
2. Prečítajte si pred uvedením do prevádzky návod na obsluhu!
3. Používať ochranu očí/ hlavy a ochranu sluchu!
4. Nosiť pevnú obuv!
5. Používať ochranné rukavice!
6. Chrániť prístroj pred dažďom alebo vlhkom!
7. Dávajte pozor na odletujúce diely!
8. Pred údržbovými prácami vypnúť prístroj a vytiahnuť koncovku zapalovacej sviečky!

9. Odstup medzi prístrojom a okolo stojacimi osobami musí byť minimálne 15 m!
10. Rezací nástroj (rezací nôž/vlákno) dobieha!
11. Pozor, horúce časti. Udržiavať odstup!
12. Každých 20 prevádzkových hodín doplňte mazací tuk (prevodový tekutý tuk)!

### Bezpečnostné pokyny

- Starostlivo si prečítajte návod na obsluhu. Oboznámte sa s nastavením a správnym používaním tohto prístroja.
  - V žiadnom prípade nedovoľte iným osobám, ktoré nepoznajú návod na obsluhu, používať tento prístroj. Miestne predpisy môžu určovať minimálny vek pre používanie tohto prístroja.
  - V žiadnom prípade nekoste pokiaľ sa v blízkosti nachádzajú ďalšie osoby, predovšetkým deti alebo zvieratá.
- Výstraha:  
Dodržujte dostatočný bezpečnostný odstup 15 m. Pri priblížení okamžite prístroj vypnite. Myslite na to, že používateľ je zodpovedný za nehody spôsobené iným osobám, alebo na ich majetku.
- Pozor: Nebezpečenstvo otravy, výfukové plyny, palivá a mazivá sú jedovaté, výfukové plyny nesmú byť vdychované.

### Pred použitím

- Počas kosenia je vždy potrebné použitie pevnej obuvi a dlhých nohavíc. Nikdy nekoste naboso alebo v ľahkých sandáloch.
- Skontrolujte priestranstvo, na ktorom chcete prístroj použiť a odstráňte z priestranstva všetky predmety, ktoré by mohli byť prístrojom zachytené a odvrhnuté.
- Výstraha: Benzín je extrémne horľavý:
  - skladujte benzín len v nádobách, ktoré sú na to určené.
  - plňte palivo vždy len vo vonkajšom prostredí a nefajčite počas procesu plnenia paliva.
  - benzín sa musí naplniť pred naštartovaním motora. Počas prevádzky motora alebo v prípade, že je prístroj horúci, sa nesmie krytka benzínovej nádrže otvárať ani dopĺňať benzín.
  - V prípade, že dôjde k preliatiu benzínu, sa nesmiete pokúšať štartovať motor. Na-

miesto toho je potrebné odstrániť prístroj z plochy znečistenej benzínom. Vyvarujte sa akémukoľvek pokusu o zapálenie, až kým sa neodparia benzínové výpary.

- Z bezpečnostných dôvodov sa musia pri poškodení vymeniť benzínová nádrž a nádržové uzávery.

- Vymeňte defektné tlmiče výfuku.
- Pred použitím sa musí vždy vizuálne skontrolovať, či nie sú opotrebované alebo poškodené rezacie nástroje, upevňovacie čapy a celková rezacia jednotka. Z dôvodu zabránenia nevyváženosti sa smú opotrebované alebo poškodené rezacie nástroje a upevňovacie čapy vymieňať vždy len v celých súpravách.

### Manipulácia (Obsluha, skladovanie, kontrola)

- Noste priliehavé pracovné oblečenie, ktoré poskytuje ochranu, ako dlhé nohavice, bezpečné pracovné topánky, trvanlivé pracovné rukavice, ochrannú prilbu, ochrannú masku na tvár alebo ochranné okuliare na ochranu očí a kvalitnú vatu do uší, alebo inú ochranu sluchu proti hluku.
- Prístroj skladujte na bezpečnom mieste. Benzínovú nádrž otvárajte pomaly, aby ste uvoľnili prípadný tlak, ktorý sa vytvoril v kryte nádrže. Aby ste predišli nebezpečenstvu požiaru, pred naštartovaním prístroja sa vzdialte minimálne 3 metre od priestoru tankovania.
- Vypnite prístroj predtým, než ho odstavíte.
- Prístroj držte vždy pevne obidvomi rukami. Prítom by mali palec a prsty obopínať rukoväť.
- Dbajte na to, aby boli skrutky a spojovacie prvky pevne pritiažené. Prístroj nikdy neobsledujte, ak nie je správne nastavený, nie je kompletný, alebo nie je bezpečne zostavený.
- Dbajte na to, aby boli rukoväť suché a čisté a nebola na nich žiadna benzínová zmes.
- Vláknovú cievku vedte v želanej výške. Vyhnite sa dotyku vláknovej cievky s malými predmetmi (napr. kamene).
- Pri kosení na svahu stojte prosím vždy pod rezacím nástrojom. Nikdy trávu nekoste, ani neupravujte na hladkom, šmyklavom kopci, alebo svahu.
- Keď motor štartujete, alebo ho nechávate bežať, udržiajte všetky časti tela a oblečenia v dostatočnej vzdialenosti od vláknovej cievky. Pred naštartovaním motora sa uistite, že sa vláknová cievka nedotkne žiadnej prekážky.
- Pred prácami na rezacom nástroji motor vždy vypnite.
- Prístroj s príslušenstvom skladujte bezpečne a chránený pred otvoreným ohňom a zdrojmi tepla/iskier ako sú plynový prietokový ohrievač, sušič bielizne, olejová pec, alebo prenosné radiátory, atď.
- Ochranný kryt, vláknovú cievku a motor udržiajte pri dlhom skladovaní vždy očistený od zvyškov kosenia.
- Iba dostatočne vyškolené dospelé osoby smú prístroj obsluhovať, nastavovať a vykonávať jeho údržbu.
- Ak s prístrojom nie ste oboznámený, vyskúšajte si manipuláciu s prístrojom pri vypnutom motore.
- Pred prácami skontrolujte terén, ktorý sa má kosiť, pevné predmety ako kovové predmety, fľaše, kamene apod. môžu byť vymrštené a spôsobiť vážne poranenia používateľa ako aj trvalé poškodenie prístroja. Ak by ste sa prístrojom omylom dotkli pevného predmetu, ihneď vypnite motor a skontrolujte prípadné poškodenie prístroja. Prístroj nikdy nepoužívajte, ak je poškodený, alebo vykazuje nedostatky.
- Trávu upravujte a koste vždy v hornej oblasti otáčok. Na začiatku kosenia, ani počas upravovania motor nenechávajte bežať v nízkych otáčkach.
- Prístroj používajte iba na predpísaný účel, ako je úprava a kosenie buriny.
- Vláknovú cievku nikdy nedržte nad výškou kolien, keď je prístroj v prevádzke.
- Prístroj nepoužívajte, ak sa v bezprostrednej blízkosti nachádzajú zvieratá, alebo prizerajúce sa osoby. Počas kosenia dodržujte minimálny odstup 15 m medzi používateľom a inými osobami alebo zvieratami. Pri kosení úplne pri zemi prosím dodržujte minimálny odstup 30 m.

### Dodatočné pokyny

- Nepoužívajte žiadne iné palivo ako to, ktoré je uvedené v návode na obsluhu. Vždy dodržiavajte pokyny v odseku „Palivo a olej“ tohto návodu. Nepoužívajte benzín, ktorý nie je správne zmiešaný s 2-taktným motorovým olejom. Inak hrozí nebezpečenstvo trvalého poškodenia motora, čím zaniká garancia výrobcu.
- Nefajčite počas naplňovania paliva ani obsluhy prístroja.
- Prístroj neobsluhujte bez výfuku.
- Výfuku sa nedotýkajte, či už rukami alebo telom. Prístroj držte tak, aby palec a prsty obopínali rukoväť.
- Prístroj neobsluhujte v nepohodlnej polohe, ak nie ste v rovnováhe, s vystretými rukami, ani iba jednou rukou. Pri obsluhu vždy používajte obidve ruky, a rukoväť pritom obopínajte palcom a prstami.
- Vláknu cievku držte vždy nad zemou, keď je prístroj v prevádzke.
- Prístroj používajte iba na predpísaný účel, ako je úprava trávnik a kosenie.
- Prístroj nepoužívajte nepretržite dlhší čas, robte pravidelné prestávky.
- Prístroj nepoužívajte pod vplyvom alkoholu alebo iných drog.
- Prístroj používajte iba ak je namontovaný odpovedajúci ochranný kryt a ak je v dobrom stave.
- Akékoľvek zmeny na výrobku môžu ohroziť bezpečnosť osôb a ruší sa pri nich garancia výrobcu.
- Prístroj nikdy nepoužívajte v blízkosti ľahko horľavých kvapalín alebo plynov, v uzatvorených miestnostiach, ani v otvorenom priestore. Následkom môže byť explózia a/ alebo požiar.
- Nepoužívajte žiadne iné rezacie nástroje. Používajte kvôli Vašej vlastnej bezpečnosti vždy len príslušenstvo a prídavné zariadenia, ktoré sú uvedené v návode na obsluhu alebo sú odporúčané a uvádzané výrobcom prístroja. Použitie rezacích nástrojov alebo príslušenstva, ktoré nie sú uvedené v návode na obsluhu môže znamenať vznik eventuálneho nebezpečenstva poranenia osôb.

### Bezpečnostné opatrenia pri manipulácii s rezacím nožom

- Dodržujte všetky upozornenia a pokyny pre prevádzku a montáž rezacích nožov.
- Rezací nôž môže byť od predmetov odrazu vymrštený, ak ich nie je schopný prerezať/ skosiť. Mohlo by to viesť k poškodeniu rúk alebo nôh. Udržujte okolo stojace osoby a zvieratá minimálne vo vzdialenosti 15 m od pracoviska. Ak prístroj trafí na cudzie predmety, ihneď zastavte motor a počkajte kým sa rezací nôž nezastaví. Skontrolujte list, či nie je poškodený. Rezací nôž vymeňte vždy, ak sa zohol alebo praskol.
- Rezací nôž môže prudko vymrštíť predmety. To môže spôsobiť oslepenie alebo poranenia. Noste ochranu očí, tváre a nôh. Pred použitím rezacieho noža vždy z pracovného priestoru odstráňte predmety.
- Pred každým použitím starostlivo skontrolujte poškodenia Vášho prístroja a nastavieb. Prístroj nepoužívajte, ak nie sú správne namontované všetky nadstavby rezacích nožov.
- Rezací nôž dobieha, ak bola uvoľnená plynová páčka. Dobiajúci rezací nôž môže Vám, alebo okolo stojacim osobám spôsobiť rezné poranenia. Pred začatím akýchkoľvek prác na rezacom noži vypnite motor, a uistite sa, že sa rezací nôž zastavil.
- Zóna nebezpečenstva priemeru 15 m. Okolo stojace osoby môžu utrpieť oslepenie alebo poranenia. Medzi sebou a inými osobami a zvieratami udržiavajte vo všetkých smeroch odstup 15 m.



### 3. Popis prístroja a objem dodávky

#### 3.1 Popis prístroja (obr. 1-13)

1. Spojovací kus vodiaceho držadla
2. Vodiace držadlo
3. Vodiaca rukoväť
4. Štartovacia šnúrka/štartovacie lanko
5. Páčka sýtiča
6. Benzínová nádrž
7. Palivové čerpadlo „pumpa“
8. Kryt telesa vzduchového filtra
9. Vypínač zap/vyp
10. Aretácia plynovej páčky
11. Plynová páčka
12. Blokovanie plynovej páky
13. Cievka s rezacím vláknom
14. Ochranný kryt rezacieho vlákna
15. Ochranný kryt rezacieho noža
16. 4x skrutka M5
17. Nosný popruh
- 18a. Rezací nôž (4 zuby)
- 18b. Rezací nôž (3 zuby)
19. Držiak vodiacej rukoväte
20. Ručná skrutka M8
21. Podložka Ø 8 mm
22. Unášač kotúč
23. Prítláčna platňa
24. Kryt prítláčnej platne
25. Matica M10 (ľavotočivý závit)
26. Zmiešavacia fľaša olej/benzín
27. Sviečkový kľúč
28. Vidlicový kľúč 8/10 mm
29. Šesťhranný kľúč 4 mm
30. Šesťhranný kľúč 5 mm
31. Ochranný kryt koncovky zapalovacej sviečky
32. Ručná skrutka M6
33. Matica M6
34. Podložka Ø 6 mm
35. Vzduchový filter
36. Koncovka zapalovacej sviečky

Rezací nôž (18a/18b) a vláknová cievka (13) sa v texte spoločne označujú aj ako rezací nástroj (ako širší pojem).

#### 3.2 Objem dodávky

- Otvorte balenie a opatrne vyberte prístroj von z balenia.
- Odstráňte obalový materiál ako aj obalové/transportné poistky (pokiaľ sú obsiahnuté).
- Skontrolujte, či obsah dodávky kompletný.
- Skontrolujte, či nedošlo k poškodeniu prístroja a príslušenstva transportom.
- Pokiaľ možno, uschovajte si obal až do konca záručnej doby.

#### Pozor!

**Prístroj a obalový materiál nie sú hračky! Deti sa nesmú hrať s plastovými vreckami, fóliami ani malými dielmi! Hrozí nebezpečenstvo prehltnutia a udusenia!**

### 4. Správne použitie prístroja

Prístroj (použitie rezacieho noža) je vhodný na rezanie vysokej trávy a ľahšej húštiny so 4. ozubeným nožom a pre hustú húštinu a slabé drevnaté porasty s 3. ozubeným nožom. Prístroj (použitie vláknovej cievky s rezacím vláknom) je vhodný na kosenie trávnik a ľahšej buriny. Dodržiavanie návodu na obsluhu priloženého výrobcom je predpokladom pre náležité zaobchádzanie s prístrojom. Každý odlišný spôsob použitia, ktorý nie je výslovne povolený v tomto návode na obsluhu, môže viesť k poškodeniam prístroja a zároveň predstavuje vážne nebezpečenstvo pre používateľa. Bezpodmienečne dbajte na obmedzenia v bezpečnostných pokynoch.

Prosím berte ohľad na skutočnosť, že naše prístroje neboli svojím určením konštruované na profesionálne, remeselnícke ani priemyselné použitie. Nepreberáme žiadne záručné ručenie, ak sa prístroj bude používať v profesionálnych, remeselníckych alebo priemyselných prevádzkach ako aj na činnosti rovnocenné s takýmto použitím.

Pozor! Kvôli telesnému ohrozeniu obsluhujúcej osoby sa prístroj nesmie použiť na nasledujúce práce: na čistenie chodníkov alebo ako rezačka na rozdrvovanie odrezkov stromov a živého plota. Ďalej nesmie byť prístroj používaný na

vyrovnávanie nerovností pôdy, ako sú napr. krince. Z bezpečnostných dôvodov nesmie byť prístroj použitý ako hnací agregát pre iné prístroje akéhokoľvek druhu.

Prístroj smie byť použitý len na ten účel, na ktorý bol určený. Akékoľvek iné odlišné použitie sa považuje za nespĺňajúce účel použitia. Za škody alebo zranenia akéhokoľvek druhu spôsobené nesprávnym používaním ručí používateľ/obsluhujúca osoba, nie však výrobca.

## 5. Technické údaje

Typ motora..... 2-taktový motor, chladený  
..... vzduchom, pochrómované valce  
Výkon motora (max.) ..... 1,35 kW/1,8 PS  
Objem valcov ..... 42,7 ccm  
Otáčky pri voľnobehu motora ..... 3 000 min<sup>-1</sup>  
Max. otáčky motora  
s nožom: ..... 9 000 min<sup>-1</sup>  
s vlákňovou cievkou: ..... 8 400 min<sup>-1</sup>  
Max. rýchlosť rezania  
s nožom: ..... 6 800 min<sup>-1</sup>  
s vlákňovou cievkou: ..... 6 300 min<sup>-1</sup>  
Zapaľovanie ..... elektronické  
Pohon ..... centrifugálna spojka  
Hmotnosť (prázdna nádrž) ..... 7,5 kg  
Okruh rezu vlákna Ø ..... 41 cm  
Okruh rezu noža Ø ..... 23 cm  
Dĺžka vlákna ..... 8,0 m  
Vlákno Ø ..... 2,0 mm  
Objem nádrže ..... 0,8 l  
Zapaľovacia sviečka ..... Champion RCJ6Y  
Spotreba paliva pri max.  
výkone motora ..... 0,6 kg/h  
Špecifická spotreba paliva  
pri max. výkone motora ..... 446 g/kWh

### Hlučnosť a vibrácie

Hladina akustického tlaku  $L_{pA}$  ..... 98 dB (A)  
Nepresnosť  $K_{pA}$  ..... 1,5 dB  
Hladina akustického výkonu  $L_{WA}$  ..... 110 dB (A)  
Nepresnosť  $K_{WA}$  ..... 1,5 dB

### Používajte ochranu sluchu.

Pôsobenie hluku môže spôsobiť poškodenie sluchu.

### Prevádzka

Emisná hodnota vibrácie  $a_h = 4,1 \text{ m/s}^2$   
Faktor neistoty  $K = 1,5 \text{ m/s}^2$

### Obmedzte tvorbu hluku a vibráciu na minimum!

- Používajte len prístroje v bezchybnom stave.
- Pravidelne vykonávajte údržbu a čistenie prístroja.
- Prispôbte spôsob práce prístroju.
- Prístroj nepreťažujte.
- V prípade potreby nechajte prístroj skontrolovať.
- Prístroj vypnite, pokiaľ ho nepoužívate.
- Používajte rukavice.

## 6. Pred uvedením do prevádzky

### 6.1 Montáž

#### 6.1.1 Montáž vodiacej rukoväte (obr. 3a-3c)

Vodiacu rukoväť (3) namontujte tak, ako je to znázornené na obrázku 3a-3c. Skrutku (20) pevne dotiahnite až potom, čo ste si nastavili optimálnu pracovnú polohu nosným popruhom (17) (pozri tiež odsek 6.2). Vodiaca rukoväť by sa mala nastaviť tak, ako je to znázornené na obrázku 1. Demontáž prebieha v opačnom poradí.

### 6.1.2 Montáž vodiaceho držadla (obr. 4a - 4c)

Ručnú skrutku (32) presuňte cez podložku (34) do spojovacieho kusu vodiaceho držadla (1). Voľne zoskrutkujte ručnú skrutku s maticou (33). Teraz potlačte aretačnú páčku (A) a opatrne posuňte vodiace držadlo (obr. 4a/pol. 2) do spojovacieho kusu vodiaceho držadla. Prítom dbajte na to, aby sa hnacie hriadele vo vnútri vodiaceho držadla v sebe kĺzali, prípadne zľahka otáčajte vláknovú cievku (13)/ rezací nôž (18a/18b). Nos aretačnej páčky (A) musí zapadnúť do dierky (B). Potom dotiahnite ručnú skrutku, ako je znázornené na obrázku 4c. Pri demontáži je potrebné iba uvoľniť ručnú skrutku a použiť aretačnú páčku.

### 6.1.3 Montáž ochranného krytu rezacieho noža

Pozor: Pri prácach s rezacím nožom musí byť namontovaný ochranný kryt noža (15). Montáž ochranného krytu rezacieho noža prebieha podľa znázornenia na obrázkoch 5a - 5b.

### 6.1.4 Montáž/výmena rezacieho noža

Montáž rezacieho noža (18a/18b) je znázornená na obrázkoch 6a-6g. Demontáž sa uskutoční v opačnom poradí.

- Nasadíte unášací kotúč (22) na ozubený hriadeľ podľa obrázku 6b.
- Rezací nôž (18a/18b) zafixujete na unášacom kotúči (obr. 6c)
- Prítlačnú platňu (23) nasadíte na závit na ozubenom hriadeľi (obr. 6d)
- Nasadíte kryt prítláčnej platne (24) (obr. 6e)
- Nájdite otvor na unášacom kotúči, nastavte ho do rovnakej polohy s drážkou ležiacou pod ním a zafixujete ho pomocou dodaného šesťhranného kľúča (29), aby ste potom pritiahli maticu (25) pomocou kľúča zapalovacej sviečky (27) (obr. 6f/6g). Pozor: ľavotočivý závit
- Rezacie nože (18a/18b) sú pri dodávke opatrené ochrannými plastovými krytkami. Pred použitím ich odstráňte, a potom znova nasadíte.

### 6.1.5 Montáž ochranného krytu rezacieho vlákna na ochrannom kryte rezacieho noža

Pozor: Pri prácach s rezacím vláknom musí byť dodatočne namontovaný ochranný kryt rezacieho vlákna (14).

Montáž ochranného krytu rezacieho vlákna prebieha podľa znázornenia na obrázkoch 7a - 7b. Dbajte na to, aby ochranný kryt rezacieho vlákna správne zapadol. Na spodnej strane ochranného krytu sa nachádza nôž (obr. 7a/pol. F) pre automatickú reguláciu dĺžky vlákna. Je prikrýty krytom (obr. 7a/pol. G).

Odstráňte tento kryt pred začiatkom práce a po ukončení práce ho opäť nasadíte.

### 6.1.6 Montáž/ výmena vláknovej cievky

Montáž vláknovej cievky (13) je znázornená na obrázku 7c. Demontáž prebieha v opačnom poradí. Vláknová cievka je namontovaná už pri dodaní.

Nájdite otvor na unášacom kotúči (22), nastavte ho do rovnakej polohy s drážkou ležiacou pod ním a zafixujete ho pomocou dodaného šesťhranného kľúča (29), aby ste potom naskrutkovali vláknovú cievku na závit.

Pozor: ľavotočivý závit

### 6.2 Nastavenie výšky rezu

- Nosný popruh (17) založte podľa obrázka 8a-8c.
- Prístroj zavesíte na nosný popruh (obr. 8d).
- Pomocou rozdielnych nastavovacích prvkov nosného popruhu nastavte optimálnu pracovnú a strihaciu polohu (obr. 8e).
- Aby sa zistila optimálna dĺžka nosného popruhu, vyskúšajte pri nastavovaní niekoľko otáčavých pohybov bez zapnutého motora (obr. 9a).

Nosný popruh je vybavený rýchlopínacím mechanizmom. Zatiahnete za červený kus popruhu, ak je potrebné prístroj rýchlo odložiť (obr. 8f).

**Pozor:** Používajte popruh vždy vtedy, keď budete pracovať s prístrojom. Popruh si založte vždy hneď po naštartovaní motora, pokiaľ sa motor ešte nachádza vo voľnobežných otáčkach. Motor vypnite ešte predtým, než si dáte nosný popruh dole.

### 6.3 Palivo a olej

Odporúčané palivá

Používajte výlučne len zmes z bezolovnatého benzínu a špeciálneho 2-taktového motorového oleja.

Namiešajte túto palivovú zmes podľa tabuľky miešania paliva.

**Pozor:** Nepoužívajte zmes pohonných látok, ktorá bola skladovaná dlhšie ako 90 dní.

**Pozor:** Nepoužívajte 2-taktový olej, pri ktorom je odporúčaný zmiešavací pomer 100:1. Pri poškodeniach motora kvôli nedostatočnému mazu znižuje záruka výrobcu na motor.

**Pozor:** Na prepravu a skladovanie paliva používajte len také nádoby, ktoré sú na dané použitie určené a atestované. Do priloženej miešacej fľaše pridajte vždy správne množstvo benzínu a 2-taktového oleja (pozri aplikovanú stupnicu). Nakoniec nádobu dostatočne pretrepajte.

### 6.4 Zmiešavacia tabuľka paliva

Postup miešania: 40 dielov benzínu na 1 diel oleja

Benzín	2-taktový olej
1 liter	25 ml
5 litrov	125 ml

## 7. Obsluha

Prosím dbajte na zákonné predpisy o ochrane proti hluku, ktoré sa môžu lokálne odlišovať.

Pred každým uvedením do prevádzky skontrolujte na prístroji:

- Tesnosť palivového systému.
- Bezchybný stav a úplnosť ochranných zariadení a rezacieho zariadenia.
- Pevné usadenie všetkých skrutkových spojov.
- Lhký chod všetkých pohyblivých častí.

### 7.1 Štart pri studenom motore

Nádrž naplňte zmesou benzínu/oleja.

Pozri tiež odsek Palivo a olej.

1. Postavíť prístroj na tvrdú, rovnú plochu.
2. Stlačíť 10x palivové čerpadlo (pumpu) (obr. 1/pol. 7).
3. Vypínač zap/vyp (obr. 1/pol. 9) prepnúť na „I“.
4. Zaisťte plynovú páčku (obr. 1/pol. 11). Za týmto účelom stlačíť aretáciu plynovej páčky (obr. 1/pol. 12) a potom plynovú páčku (obr. 1/pol. 11) a súčasným stlačením aretácie (obr. 1/pol. 10) zablokovať plynovú páčku.
5. Nastaviť páčku sýtiča (obr. 1/pol. 5) na „I“.
6. Prístroj riadne pridržiť a vytiahnuť štartovacie lanko (obr. 1/pol. 4) až po prvý odpor. Teraz 4 x rýchlo potiahnuť za štartovacie lanko. Prístroj by sa mal naštartovať.

**Pozor:** Štartovacie lanko nenechať vymrštiť späť. Mohlo by to viesť k poškodeniam.

**Pozor:** Po zašixovaní plynovej páčky začne pracovať strihací nástroj s naštartovaným motorom.

Potom plynovú páčku uvoľníte jednoduchým potlačením. Súčasne sa potlačením plynovej páčky uvoľní páčka sýtiča. (Motor sa vráti do voľnobehu).

7. Ak sa motor nerozbehne, zopakujte uvedené kroky 4-6.

Upozornenie: Ak motor nenašrtuje ani po viacerých pokusoch, prečítajte si časť „Odstraňovanie porúch“.

Upozornenie: Štartovacie lanko ťahajte vždy rovno von. V prípade, že sa lanko vyfahuje pod uhlom, vzniká trenie na vstupnom oku. Týmto trením sa štartovacie lanko odiera a rýchlejšie sa opotrebuje. Štartovacie lanko držte kým sa štartovacia šnúrka znova nezaťahne. Nikdy nepustíte vyťahnuté štartovacie lanko a nenechajte ho tak vyvrstíť smerom späť.

## 7.2 Štart pri teplom motore

(Prístroj bol vypnutý menej ako 15-20 min)

1. Postavíť prístroj na tvrdú, rovnú plochu.
2. Vypínač zap/vyp (obr. 1/pol. 9) prepnúť na „I“.
3. Zaistíte plynovú páčku (obr. 1/pol. 11) (analogicky ako „Štart pri studenom motore“).
4. Prístroj riadne pridržiť a vyťahnite štartovacie lanko až po prvý odpor. Teraz rýchlo potiahnuť za štartovacie lanko. Prístroj by sa mal naštartovať po 1-2 potiahnutiach. V prípade, že by prístroj nenaštartoval ani po 6 ťahoch, opakujte body 1-7 z odseku štartovania „studeného motora“.

## 7.3 Vypnutie motora

### Postup v prípade núdzového vypnutia:

V prípade, že je potrebné prístroj okamžite zastaviť, prepnite vypínač zap/vyp (9) do polohy „Stop“ resp. „0“.

### Normálny postup:

Pustíte plynovú páčku (11) a počkajte, až kým motor nezačne bežať voľnobežnými otáčkami. Nastavte potom vypínač zap/vyp (9) do polohy „Stop“ resp. „0“.

## 7.4 Pracovné pokyny

Pred použitím prístroja si natrénujte všetky pracovné techniky s vypnutým motorom.

**Výstraha:** Pracujte pri odkosovacích prácach nanajvýš opatrne. Počas takýchto prác udržiavajte odstup od iných osôb a zvierat najmenej 30 metrov.

## Predĺženie rezacieho vlákna

Výstraha! Nepoužívajte kovový drôt, ani kovový drôt obalený plastom akéhokoľvek druhu vo vláknovej cievke. Mohlo by to viesť k ťažkým zraneniam používateľa.

Strihacie vlákno (13) sa predlžuje tak, že sa nechá motor bežať na plné otáčky a vlákno sa zľahka pritlačí na zem. Vlákno sa automaticky predĺži. Nôž na ochrannom kryte skráti vlákno na prípustnú dĺžku (obr. 9b).

**Pozor:** Pravidelne odstraňuje všetky zvyšky trávnik a buriny, aby ste zabránili prehriatiu prístroja.

Zvyšky trávnik / trávy / buriny sa zachytávajú pod ochranným krytom (obr. 9c), to zabraňuje dostatočnému chladeniu prístroja. Odstráňte opatrne zvyšky pomocou skrutkovača alebo podobným nástrojom.

## Rôzne spôsoby kosenia

Ak je prístroj správne namontovaný, strihá burinu a vysokú trávu na ťažko prístupných miestach, ako napr. pozdĺžne plotov, múrov a základov ako aj okolo stromov. Dá sa použiť taktiež na „odkosovacie práce“, aby sa odstránila vegetácia za účelom lepšej prípravy záhrady alebo pri čistení určitej oblasti tesne nad zemou.

**Upozornenie:** Aj pri opatrnom používaní má kosenie v blízkosti základov, kameňa alebo betónových múrov atď. za následok nadmerné opotrebovanie vlákna.

## Úprava/kosenie (s vláknoovou cievkou/rezacím nožom)

Prístroj pohybuje kosákovým spôsobom zo strany na stranu. Rezací nástroj držte vždy paralelne k zemi. Skontrolujte prostredie a určite vhodnú výšku strihania. Rezací nástroj vedzte a držte v želanej výške, kvôli rovnomernému rezu (obr. 9d).

## Nízka úprava (s vláknoovou cievkou)

Držte prístroj s ľahkým naklonením presne pred sebou tak, aby sa spodná strana vláknoovej cievky nachádzala nad zemou a vlákno dosiahlo správnu pozíciu rezania. Koste pritom vždy smerom preč od seba. Prístroj nepríťahujte k sebe.

### Kosenie pri plote/základe (s vlákňovou cievkou)

Približujte sa pomaly k plotom z drôteného pletiva, doskovým plotom, múrom z prírodného kameňa a základom, aby ste strihali blízko pri nich, avšak bez toho, aby sa vlákno udieralo voči zábrane. Ak sa vlákno dostane do kontaktu napr. s kameňmi, kamennými múrmi alebo základmi, tak sa rýchlo opotrebuje alebo sa rozstrapká. Ak sa vlákno dostane do kontaktu s pletivom plotu, tak sa odlomí.

### Úprava okolo stromov (s vlákňovou cievkou)

Ak kosíte okolo stromov, približujte sa k nim pomaly, aby sa vlákno nedotklo kôry. Obchádzajte okolo stromu a dbajte na to, aby ste nepoškodili strom. Približujte sa k tráve alebo burine špičkou vlákna a nakloňte vlákňovú cievku zľahka dopredu.

### Skosenie (s vlákňovou cievkou)

Pri skášaní obsiahnete celkovú vegetáciu až na spodok. Za týmto účelom nakloňte vlákňovú cievku v 30 stupňovom uhle doprava. Rukoväť nastavte do želanej polohy (obr. 9e).

**Pozor!** Zvýšené nebezpečenstvo poranenia používateľa, prizerajúcich sa osôb, zvierat, ako aj nebezpečenstvo materiálnych škôd kvôli odlietajúcim objektom (napr. kamene).

**Pozor!** Pomocou prístroja neodstraňujte žiadne predmety z chodníkov a pod!

Benzínová motorová kosa je výkonný nástroj a malé kamene alebo iné predmety sa môžu odmrštiť do vzdialenosti 15 metrov a viac a spôsobí tak poranenia alebo poškodenie automobilov, domov a okien.

### Pílenie

Prístroj nie je vhodný na pílenie.

### Zaseknutie

Ak by sa strihací nástroj zasekol kvôli príliš hustej vegetácii, ihneď vypnite motor. Uvoľnite prístroj od trávy a porastov predtým, než ho opäť uvediete do prevádzky.

### Zabráňte spätnému úderu

Pri práci s rezacím nožom existuje riziko spätného úderu, ak sa nôž dostane na pevné prekážky (kmeň stromu, konár, peň stromu, kameň alebo podobne). Prístroj sa pritom odmrští proti smeru otáčania rezacieho nástroja. To môže viesť ku strate kontroly nad prístrojom. Nepoužívajte rezací nôž v blízkosti plotov, kovových stĺpov, hraničných kameňov ani základov.

Pri kosení slabého drevnatého porastu uveďte prístroj do polohy podľa obr. 9f, aby ste zabránili spätnému úderu.

## 8. Údržba a objednanie náhradných dielov

Pred údržbovými prácami prístroj najskôr vypnite a vytiahnite koncovku zapalovacej sviečky (36).

### 8.1 Výmena vlákňovej cievky/rezacieho vlákna

1. Demontujte vlákňovú cievku (13) podľa popisu v odseku 6.1.6. Cievku stlačte (obr. 12a) a odoberte jednu stranu telesa (obr. 12b).
2. Tanier cievky (K) vyberte z telesa vlákňovej cievky (obr. 12c).
3. Odstráňte prípadné zvyšné rezacie vlákno.
4. Nové rezacie vlákno preložte na stred a vzniknutú slučku zavesíte do vybrania na tanieri cievky (obr. 12d).
5. Vlákno navinúť pod tlakom proti smeru otáčania hodinových ručičiek. Rozdelenie cievky oddeľuje pritom obidve polovice rezacieho vlákna (obr. 12e).
6. Posledných 15 cm obidvoch koncov vlákna zavesíte do protiahlych držiakov vlákna na tanieri cievky (obr. 12f).
7. Obidva konce vlákna zaviesť cez kovové oká v telesa cievky (obr. 12c).
8. Tanier cievky vtlačíte do telesa cievky (obr. 12b).
9. Obidva konce vlákna krátko a silne zatiahnuť, aby sa uvoľnili z držiakov vlákna na cievke.
10. Obidve časti telesa znova spolu zložte.
11. Nadbytočné vlákno zastrihnúť na približne 13 cm. Zmenší to zaťaženie motora počas štartovania a zahrievania.

12. Znovu namontujte vláknovú cievku (pozri odsek 6.1.6). Ak sa vláknová cievka kompletne vymieňa, body 3-6 sa preskočia.

### 8.2 Údržba vzduchového filtra

Znečistené vzduchové filtre znižujú výkon motora kvôli nedostatočnému prívodu vzduchu do karburátora.

Pravidelná kontrola je preto bezpodmienečne nutná.

Vzduchový filter (35) by mal byť kontrolovaný každých 25 prevádzkových hodín a v prípade potreby čistený. Pri veľmi prašnom vzduchu sa musí vzduchový filter kontrolovať častejšie.

1. Odoberte kryt telesa vzduchového filtra (obr. 10a/pol. 8)
2. Odoberte vzduchový filter (obr. 10b/10c)
3. Vzduchový filter vyčistite vyklepaním, alebo vyfúkaním (stlačeným vzduchom).
4. Opätovná montáž sa uskutoční v opačnom poradí.

**Pozor:** Vzduchový filter nikdy nečistite benzínom ani horľavými rozpúšťadlami.

### 8.3 Údržba zapalovacej sviečky

Vzdialenosť elektród = 0,6 mm (vzdialenosť medzi elektródami, medzi ktorými vzniká zapalovacia iskra). Zapalovaciu sviečku pritiahnite 12 až 15 Nm pomocou momentového kľúča (dostupný v špecializovaných predajniach). Skontrolujte znečistenie zapalovacej sviečky po prvý krát po 10 prevádzkových hodinách a vyčistite ju v prípade potreby medenou drôtenou kefkou.

Potom čistíte zapalovaciu sviečku každých 50 prevádzkových hodín.

1. Demontujte ochranný kryt (obr. 10c/pol. 31) pomocou skrutkovača.
2. Vytiahnite koncovku zapalovacej sviečky (obr. 11a/pol. 36).
3. Odoberte zapalovaciu sviečku (obr. 11b) pomocou priloženého sviečkového kľúča (27).
4. Opätovná montáž sa uskutoční v opačnom poradí.

### 8.4 Brúsenie noža ochranného krytu

Nôž v ochrannom kryte (obr. 7a/pol. F) sa môže časom otupiť. Ak by k tomu malo dôjsť, uvoľnite 2 skrutky, pomocou ktorých je nôž v ochrannom kryte upevnený. Upevnite nôž do zveráku. Nôž brúste pomocou plochého pilníka a dbajte pritom na to, aby ste dodržali uhol reznej hrany. Brúste vždy len v jednom smere.

### 8.5 Nastavenie karburátora

**Pozor:** Nastavovanie karburátora smie

vykonávať len autorizovaný zákaznícky servis.

Pri všetkých prácach na karburátore sa musí najskôr odmontovať kryt telesa vzduchového filtra ako je zobrazené na obrázku 10a a 10b.

#### Nastavenie plynového lanka:

Ak by postupom času na prístroji nebolo možné dosiahnuť maximálne otáčky a všetky ostatné príčiny podľa odseku „Odstraňovanie chýb“ sú vylúčené, je možno potrebné nastavenie plynového lankového vedenia.

Najskôr skontrolujte, či sa karburátor otvorí naplno pri plne stlačenej plynovej páčke. Je to v tom prípade, keď je posúvač karburátora (obr. 13a/pol. F) pri plne stlačení plyne úplne otvorený. Obrázok 13a znázorňuje správne nastavenie.

Ak posúvač karburátora nie je úplne otvorený, je potrebné nastavenie.

Na nastavenie plynového lanka sú potrebné nasledovné kroky:

- Uvoľnite poistnú maticu (obr. 13b/pol. C) o niekoľko otáčok.
- Vyskrutkujte prestavovaciu skrutku (obr. 13b/pol. D) až dotedy, kým posúvač karburátora nebude pri plne stlačení plyne úplne otvorený, ako je zobrazené na obrázku 13a.
- Poistnú maticu potom znovu dotiahnite.

## Nastavenie pokojového plynu:

**Pozor!** Plyn voľnobehu nastavujte pri zohriatom prevádzkovom stave.

Ak sa zariadenie vypína pri nestlačenej plynovej páčke a vylúčili ste všetky ostatné príčiny podľa odseku „Odstraňovanie porúch“, je potrebné urobiť nastavenie množstva pokojového plynu. Povoľujte plynovú skrutku (obr. 13b/pol. E) v smere hodinových ručičiek až dovtedy, kým zariadenie bezpečne nebeží vo voľnobehu. Ak je plyn voľnobehu taký veľký, že sa rezací nástroj otáča, musí sa otáčaním skrutky voľnobehu smerom doľava plyn znížiť tak, aby sa rezací nástroj neotáčal.

## 8.6 Mazanie prevodovky

Každých 20 prevádzkových hodín doplňte prevodový tekutý tuk (cca 10 g). Za týmto účelom otvorte skrutku H (obr. 7c).

## 8.7 Ochrana životného prostredia

Znečistený údržbový materiál a prevádzkové látky odovzdať v zbernom mieste určenom pre tento druh odpadu.

Obalový materiál, kovy a plasty odovzdať do triedeného odpadu k recyklácii.

## 8.8 Objednávanie náhradných dielov

Pri objednávaní náhradných dielov je potrebné uviesť nasledovné údaje:

- Typ prístroja
- Výrobné číslo prístroja
- Identifikačné číslo prístroja

Aktuálne ceny a informácie nájdete na stránke [www.isc-gmbh.info](http://www.isc-gmbh.info)

## 9. Skladovanie a preprava

### 9.1 Skladovanie

**Pozor:** Nikdy neodkladajte prístroj na dobu dlhšiu ako 30 dní bez toho, aby ste vykonali nasledovné kroky.

#### Uskladnenie prístroja

Keď odkladáte prístroj na dobu dlhšiu ako 30 dní, musí byť na to vopred pripravený. V opačnom prípade sa odparí zvyšné palivo, ktoré sa nachádza v karburátore a zanechá na dne usadeninu podobnú gume.

To by mohlo sťažiť naštartovanie a spôsobíť nákladné opravné práce.

1. Pomaly otvárajte palivový uzáver, aby ste vypustili prípadný tlak v nádrži. Opatrne vypúšťajte nádrž (6).
2. Naštartujte motor a nechajte ho bežať tak dlho, kým sa sám nezastaví, aby sa spotrebovalo palivo z karburátora.
3. Nechajte motor vychladnúť (cca 5 minút).
4. Odoberte zapalovaciu sviečku (pozri 8.3).
5. Pridajte 1 čajovú lyžičku čistého 2-taktového oleja do spaľovacej komory. Vytiahnite niekoľko krát pomaly štartovacie lanko, aby sa premazali olejom vnútorné komponenty. Znovu nasadte zapalovaciu sviečku.

**Upozornenie:** Prístroj odkladajte na suchom mieste a v dostatočnej vzdialenosti od možných zápalných zdrojov, napr. pecí, plynových kotlov na ohrev teplej vody, plynových sušičiek a pod.

#### Opätovné uvedenie do prevádzky

1. Odoberte zapalovaciu sviečku (pozri 8.3).
2. Potiahnite prudko štartovacie lanko, aby sa odstránil prebytočný olej zo spaľovacej komory.
3. Vyčistite zapalovaciu sviečku a dbajte na správny odstup elektród na zapalovacej sviečke alebo zapalovaciu sviečku vymeňte za novú so správnym odstupom elektród.
4. Prístroj pripravte na prevádzku.
5. Naplňte palivovú nádrž správnou zmesou paliva a oleja. Pozri tiež odsek „Palivo a olej“.





## 9.2 Transport

Ak prístroj chcete prepravovať, vyprázdňte benzínovú nádrž ako je vysvetlené v odseku „Skladovanie“. Vyčistite prístroj kefou alebo ručnou metličkou od hrubej nečistoty. Demontujte vodiacu rukoväť a vodiace držadlo ako je vysvetlené v odseku 6.1.1 a 6.1.2.

## 10. Čistenie

Pred čistiacimi prácami prístroj najskôr vypnite a vytiahnite koncovku zapalovacej sviečky.

- Po každom použití by sa mal prístroj dôkladne vyčistiť. Najmä rezačí nástroj a ochranné kryty.
- Udržujte vzduchové otvory a teleso motora vždy v čistom stave bez prachu a nečistôt. Utrite prístroj čistou utierkou alebo ho vyčistite vyfúkaním stlačeným vzduchom pri nastavení na nízky tlak.
- Najľahšie sa odstraňuje nečistota a tráva ihneď po kosení.
- Čistite prístroj pravidelne pomocou vlhkej utierky a malého množstva tekutého mydla. Nepoužívajte žiadne agresívne čistiace prostriedky ani riedidlá; tieto prostriedky by mohli napadnúť umelohmotné diely prístroja. Dbajte na to, aby sa do vnútra prístroja nedostala voda.

## 11. Likvidácia a recyklácia

Prístroj sa nachádza v obale za účelom zabránenia poškodeniu pri transporte. Tento obal je vyrobený zo suroviny a tým pádom je ho možné znovu použiť alebo sa môže dať do zberu na recykláciu surovín. Prístroj a jeho príslušenstvo sa skladajú z rôznych materiálov, ako sú napr. kovy a plasty. Poškodené súčiastky odovzdajte na vhodnú likvidáciu špeciálneho odpadu. Informujte sa v odbornej predajni alebo na miestnych úradoch!

## 12. Odstraňovanie porúch

Porucha	Možná príčina	Odstránenie porúch
Prístroj sa nenašartuje	<ul style="list-style-type: none"> <li>- Nesprávny postup pri štartovaní</li> <li>- Zanesená alebo vlhká zapalovacia sviečka</li> <li>- Nesprávne nastavenie karburátora</li> </ul>	<ul style="list-style-type: none"> <li>- Dodržiavajte pokyny pre štartovanie</li> <li>- Vyčistite zapalovaciu sviečku alebo ju vymeňte za novú</li> <li>- Vyhľadajte autorizovaný zákaznícky servis alebo zariadenie zašlite na ISC-GmbH</li> </ul>
Prístroj sa naštartuje, ale nemá plný výkon	<ul style="list-style-type: none"> <li>- Nesprávne nastavenie páčky sýtiča (5).</li> <li>- Znečistený vzduchový filter (35)</li> <li>- Nesprávne nastavenie karburátora</li> </ul>	<ul style="list-style-type: none"> <li>- Páčku sýtiča nastavte na „<math>\downarrow</math>“</li> <li>- Čistenie vzduchového filtra</li> <li>- Vyhľadajte autorizovaný zákaznícky servis alebo zariadenie zašlite na ISC-GmbH</li> </ul>
Motor beží nepravidelne	<ul style="list-style-type: none"> <li>- Nesprávny odstup elektród na zapalovacej sviečke</li> <li>- Nesprávne nastavenie karburátora</li> </ul>	<ul style="list-style-type: none"> <li>- Vyčistite zapalovaciu sviečku a nastavte odstup medzi elektródami alebo nasadte novú zapalovaciu sviečku</li> <li>- Vyhľadajte autorizovaný zákaznícky servis alebo zariadenie zašlite na ISC-GmbH</li> </ul>
Motor nadmerne dymí	<ul style="list-style-type: none"> <li>- Nesprávna zmes paliva</li> <li>- Nesprávne nastavenie karburátora</li> </ul>	<ul style="list-style-type: none"> <li>- Použite správnu palivovú zmes (pozri tabuľku miešania paliva)</li> <li>- Vyhľadajte autorizovaný zákaznícky servis alebo zariadenie zašlite na ISC-GmbH</li> </ul>

## 13. Prehlásenie o zhode

Einhell Germany AG · Wiesenweg 22 · D-94405 Landau/Isar



## Konformitätserklärung

**D** erklärt folgende Konformität gemäß EU-Richtlinie und Normen für Artikel

**GB** explains the following conformity according to EU directives and norms for the following product

**F** déclare la conformité suivante selon la directive CE et les normes concernant l'article

**I** dichiara la seguente conformità secondo la direttiva UE e le norme per l'articolo

**NL** verklaart de volgende overeenstemming conform EU richtlijn en normen voor het product

**E** declara la siguiente conformidad a tenor de la directiva y normas de la UE para el artículo

**P** declara a seguinte conformidade, de acordo com a directiva CE e normas para o artigo

**DK** attesterer følgende overensstemmelse i medfør af EU-direktiv samt standarder for artikel

**S** förklarar följande överensstämmelse enl. EU-direktiv och standarder för artikeln

**FIN** vakuuttaa, että tuote täyttää EU-direktiivin ja standardien vaatimukset

**EE** tõendab toote vastavust EL direktiivile ja standarditele

**CZ** vydává následující prohlášení o shodě podle směrnice EU a norem pro výrobek

**SLO** potrjuje sledečo skladnost s smernico EU in standardi za izdelek

**SK** vydáva nasledujúce prehlásenie o zhode podľa smernice EU a noriem pre výrobok

**H** a cikkekhez az EU-irányvonal és Normák szerint a következő konformitást jelenti ki

**PL** deklaruje zgodność wymienionego poniżej artykułu z następującymi normami na podstawie dyrektywy WE.

**BG** декларира съответното съответствие съгласно Директива на ЕС и норми за артикул

**LV** paskaidro šādu atbilstību ES direktīvai un standartiem

**LT** apibūdina šį atitikimą EU reikalavimams ir prekės normoms

**RO** declară următoarea conformitate conform directivei UE și normelor pentru articolul

**GR** δηλώνει την ακόλουθη συμμόρφωση σύμφωνα με την Οδηγία ΕΚ και τα πρότυπα για το προϊόν

**HR** potvrđuje sljedeću uskladenost prema smjernicama EU i normama za artikl

**HR** Izjava o sukladnosti za ovaj proizvod dostupna je na internet stranici www.lidl.hr.

**BIH** potvrđuje sljedeću uskladenost prema smjernicama EU i normama za artikl

**RS** potvrđuje sledeću uskladenost prema smernicama EZ i normama za artikal

**RUS** следующим удостоверяется, что следующие продукты соответствуют директивам и нормам ЕС

**UKR** проголошує про зазначену нижче відповідність виробу директивам та стандартам ЄС на виріб

**MK** ja izjavuwa slednata soobrznost согласно EU-директивата и нормите за артикли

**TR** Ürünü ile ilgili AB direktifleri ve normlan gereğince aşağıda açıklanan uygunluğu belirtir

**N** erklærer følgende samsvar i henhold til EU-direktivet og standarder for artikkel

**IS** Lýsir uppfyllingu EU-reglna og annarra staðla vöru

## Benzin-Sense FBS 43 A1 (Florabest)

- |                                                 |                                                                                                                                                                         |
|-------------------------------------------------|-------------------------------------------------------------------------------------------------------------------------------------------------------------------------|
| <input type="checkbox"/> 87/404/EC_2009/105/EC  | <input checked="" type="checkbox"/> 2006/42/EC                                                                                                                          |
| <input type="checkbox"/> 2005/32/EC_2009/125/EC | <input type="checkbox"/> Annex IV<br>Notified Body:<br>Notified Body No.:<br>Reg. No.:                                                                                  |
| <input type="checkbox"/> 2006/95/EC             |                                                                                                                                                                         |
| <input type="checkbox"/> 2006/28/EC             | <input checked="" type="checkbox"/> 2000/14/EC_2005/88/EC                                                                                                               |
| <input checked="" type="checkbox"/> 2004/108/EC | <input checked="" type="checkbox"/> Annex V                                                                                                                             |
| <input type="checkbox"/> 2004/22/EC             | <input type="checkbox"/> Annex VI<br>Noise measured: $L_{WA} = 104,7$ dB (A); guaranteed $L_{WA} = 110$ dB (A)<br>$P = 1,35$ KW; $L/\varnothing =$ cm<br>Notified Body: |
| <input type="checkbox"/> 1999/5/EC              |                                                                                                                                                                         |
| <input type="checkbox"/> 97/23/EC               | <input checked="" type="checkbox"/> 2006/28/EC<br>Emission No.: e11*97/68SA*2004/26*1181*00                                                                             |
| <input type="checkbox"/> 90/396/EC_2009/142/EC  |                                                                                                                                                                         |
| <input type="checkbox"/> 89/686/EC_96/58/EC     |                                                                                                                                                                         |
| <input type="checkbox"/> 2011/65/EC             |                                                                                                                                                                         |

Standard references: EN ISO 11806; EN ISO 14982

Landau/Isar, den 14.02.2012

  
Weichselgartner/General-Manager


  
Frank/Product-Management

First CE: 10  
Art.No.: 34.019.93 I.No.: 11011  
Subject to change without notice

Archive-File/Record: NAPR005246  
Documents registrar: Robert Mayn  
Wiesenweg 22, D-94405 Landau/Isar

## 14. Záručný list

Vážená zákazníčka, vážený zákazník,  
naše výrobky podliehajú prísnej kontrole kvality. V prípade, že nebude prístroj napriek tomu bezchybne fungovať, je nám to veľmi ľúto a prosíme Vás, aby ste sa obrátili na našu servisnú službu na adrese uvedenej na tomto záručnom liste. Radi Vám budeme k dispozícii taktiež telefonicky na uvedenom servisnom telefónnom čísle. Pri uplatňovaní nárokov na záručné plnenie platia nasledujúce podmienky:

1. Tieto záručné podmienky upravujú dodatočné záručné plnenie. Vaše zákonné nároky na záruku nie sú touto zárukou dotknuté. Naše záručné plnenie je pre Vás zadarmo.
2. Záručné plnenie sa vzťahuje výlučne len na nedostatky, ktoré sú spôsobené chybami materiálu alebo výrobnými chybami, a je obmedzené na odstránenie týchto nedostatkov resp. výmenu prístroja. Prosím, dbajte na to, že naše prístroje neboli svojím určením konštruované na profesionálne, remeselnícke ani priemyselné použitie. Táto záručná zmluva sa preto neuplatňuje, ak sa prístroj bude používať v profesionálnych, remeselníckych alebo priemyselných prevádzkach ako aj na činnosti rovnocenné s takýmto použitím. Z našej záruky sú okrem toho vylúčené náhradné plnenie za škody pri transporte, škody spôsobené nedodržaním návodu na montáž alebo na základe neodbornej inštalácie, nedodržaním návodu na použitie (ako napr. pripojením na nesprávne sieťové napätie alebo druh prúdu), zneužívaním alebo nesprávnym používaním (ako napr. preťaženie prístroja alebo použitie neprípustných pracovných nástrojov alebo príslušenstva), nedodržaním pokynov pre údržbu a bezpečnostných pokynov, vniknutím cudzích telies do prístroja (ako napr. piesok, kamene alebo prach), použitím násilia alebo cudzieho pôsobenia (napr. škody spôsobené pádom), a taktiež je vylúčené bežné opotrebenie primerané použitiu. To sa týka predovšetkým akumulátorov, na ktoré napriek tomu garantujeme záručnú dobu 12 mesiacov. Nárok na záruku zaniká, ak už boli na prístroji svojvoľne uskutočnené zásahy.
3. Doba záruky je 3 roky a začína sa dátumom nákupu prístroja. Nároky na záruku sa musia uplatniť pred koncom uplynutia záručnej doby do dvoch týždňov od zistenia nedostatku. Uplatnenie nárokov na záruku po uplynutí záručnej doby je vylúčené. Oprava alebo výmena prístroja nevedie k predĺženiu záručnej doby ani nedochádza na základe tohto plnenia ku vzniku novej záručnej doby pre prístroj ani pre akékoľvek inštalované náhradné diely. To platí taktiež pri nasadení miestneho servisu.
4. Pre uplatnenie nároku na záruku nám prosím zašlite defektný prístroj oslobodený od poštovného na dole uvedenú adresu. Priložte predajný doklad v origináli alebo iný doklad o zakúpení s dátumom. Prosím, starostlivo si preto uschovajte pokladničný blok ako doklad o zakúpení! Prosím, popíšte nám čo najpresnejšie dôvod reklamácie. Ak spadá defekt prístroja pod naše záručné plnenie, dostanete obratom naspäť opravený alebo nový prístroj.

Samozrejme Vám radi opravíme závady na prístroji na vaše náklady, ak tieto závady nespádajú alebo už nespádajú do rozsahu záruky. Prosím, pošlite nám v takom prípade prístroj na našu servisnú adresu.

### **Einhell Slovakia s.r.o.**

Diaľničná cesta 18

SK-903 01 Senec

Tel.: + 421 2 209037 87/88 · Fax: +421 2 45241579

E-mail: servissk@einhell.sk

IAN 72317



## Spis treści

1. Przedmowa .....	70
2. Wskazówki bezpieczeństwa .....	70
3. Opis urządzenia i zakres dostawy.....	73
4. Zastosowanie zgodne z przeznaczeniem.....	73
5. Dane techniczne .....	74
6. Przed uruchomieniem .....	75
7. Obsługa.....	76
8. Konserwacja i zamawianie części zamiennych.....	79
9. Przechowywanie i transport.....	81
10. Czyszczenie .....	81
11. Utylizacja i recykling .....	82
12. Usuwanie usterek .....	83
13. Deklaracja zgodności z normami .....	84
14. Gwarancja .....	85

Przedruk lub innego rodzaju powielanie dokumentacji wyrobów oraz dokumentów towarzyszących, nawet we fragmentach dopuszczalne jest tylko za wyraźną zgodą firmy iSC GmbH.

Zmiany techniczne zastrzeżone



## 1. Przedmowa

Gratulujemy Państwu zakupu urządzenia naszej firmy!

Wybrali Państwo produkt wysokiej jakości. W skład zakupionego produktu wchodzi instrukcja obsługi. Zawiera ona ważne wskazówki na temat bezpieczeństwa, użytku i utylizacji urządzenia. Przed użyciem produktu prosimy zapoznać się z treścią instrukcji obsługi i wskazówek bezpieczeństwa. Prosimy stosować produkt tylko zgodnie z instrukcją i w zalecanym zakresie stosowania. W przypadku przekazania produktu osobom trzecim prosimy o wręczenie im również kompletnej dokumentacji urządzenia.

## 2. Wskazówki bezpieczeństwa

### ⚠ Ostrzeżenie

**Przeczytać wszystkie wskazówki bezpieczeństwa i instrukcję.** Nieprzestrzeganie instrukcji i wskazówek bezpieczeństwa może wywołać porażenia prądem, niebezpieczeństwo pożaru lub ciężkie zranienia. **Proszę zachować na przyszłość wskazówki bezpieczeństwa i instrukcję.**

### Urządzenia zabezpieczające

Podczas pracy z urządzeniem musi być zamontowana odpowiednia osłona z tworzywa sztucznego na nóż lub żyłkę, aby zapobiec odrzucaniu przedmiotów przez urządzenie. Zintegrowany z osłoną nóż w osłonie szpuli przycina żyłkę tnącą na odpowiednią długość.

### Objaśnienie tabliczek ze wskazówkami na urządzeniu (rys. 14):

1. Ostrzeżenie!
2. Przed uruchomieniem urządzenia przeczytać instrukcję obsługi!
3. Stosować środki ochrony słuchu, oczu i głowy.
4. Nosić odpowiednie mocne obuwie!
5. Nosić rękawice ochronne!
6. Chronić urządzenie przed deszczem i wilgocią!
7. Uważać na przedmioty wyrzucane z

urządzenia!

8. Przed rozpoczęciem prac konserwacyjnych wyłączyć urządzenie i wyjąć końcówkę świecy zapłonowej!
9. Odstęp między urządzeniem a znajdującymi się w pobliżu osobami nie może być mniejszy niż 15m!
10. Po wyłączeniu urządzenia narzędzie tnące (nóż/żyłka) nadal jest w ruchu!
11. Uwaga! Gorące części! Zachować bezpieczną odległość!
12. Uzupełniać smar co 20 godzin pracy (płynny smar przekładniowy)!

### Wskazówki bezpieczeństwa

- Starannie przeczytać instrukcję obsługi. Zapoznać się z ustawieniem i prawidłowym użytkowaniem urządzenia.
- Nie zezwalać na używanie urządzenia osobom, które nie przeczytały instrukcji obsługi. Minimalny wiek osoby posługującej się tym urządzeniem może podlegać lokalnej regulacji prawnej.
- Nie kosić, jeżeli w pobliżu znajdują się inne osoby, zwłaszcza dzieci, lub zwierzęta.

#### Ostrzeżenie:

- Zachować odstęp bezpieczeństwa (15 m). W przypadku zmniejszenia się odstępu natychmiast wyłączyć urządzenie. Zwracamy uwagę na to, że użytkownik ponosi odpowiedzialność w przypadku wypadków z udziałem innych osób i ich mienia.
- Uwaga: Niebezpieczeństwo zatrucia - spaliny, paliwa i smary są trujące - nie wdychać spalin!

### Przed użyciem urządzenia

- Podczas koszenia zawsze nosić mocne obuwie i długie spodnie. Nigdy nie kosić na bosą lub w lekkich sandałach.
- Sprawdzić teren, na którym ma być używane urządzenie, i usunąć wszelkie przedmioty, które mogłyby zostać pochwycone i odrzucone przez urządzenie podczas pracy.
- Ostrzeżenie: Benzyna jest skrajnie łatwopalną substancją:
  - Benzynę przechowywać wyłącznie w przewidzianych do tego celu pojemnikach.

- Tankować wyłącznie na wolnym powietrzu i nie palić podczas naleniania paliwa.

- Nalać paliwo przed uruchomieniem silnika. Nigdy nie otwierać korka zbiornika paliwa ani nie dolewać benzyny jeżeli silnik pracuje albo urządzeniu jest rozgrzane.

- Jeżeli rozlała się benzyna, w żadnym wypadku nie uruchamiać silnika. Usunąć urządzenie z miejsca zabrudzonego benzyną. Unikać wszelkich prób uruchomienia silnika dopóki nie wyparują całkowicie opary benzyny.

- Z przyczyn bezpieczeństwa, jeżeli zbiornik paliwa lub jego korek zostały uszkodzone, należy je wymienić.

- Wymienić uszkodzone tłumiki
- Przed każdym użyciem przeprowadzić kontrolę wizualną urządzenia, sprawdzając czy narzędzia tnące, sworznie mocujące i całość urządzenia tnącego nie zostały uszkodzone i nie przedstawiają śladów zużycia. Dla uniknięcia niewyrównoważenia urządzenia zużyte lub uszkodzone narzędzia tnące lub sworznie mocujące wymieniać wyłącznie parami.

### **Obchodzenie się z urządzeniem (obsługa, przechowywanie, kontrola)**

- Stosować przylegającą do ciała odzież ochronną, tzn. długie spodnie, odpowiednie obuwie ochronne, mocne rękawice ochronne, kask ochronny, maskę ochronną na twarz lub okulary dla ochrony oczu oraz odpowiednie stopery lub ochronniki słuchu.
- Urządzenie należy przechowywać w bezpiecznym miejscu. Powoli odkręcać korek zbiornika paliwa, aby spuścić nadmiar ciśnienia. Aby zapobiegać pożarom przed uruchomieniem urządzenia oddalić się od miejsca napełniania paliwa o co najmniej 3 metry.
- Przed odstawieniem urządzenia wyłączyć je.
- Urządzenie zawsze pewnie trzymać oburącz, obejmując palcami uchwyty.
- Śruby i elementy łączące zawsze muszą być mocno dokręcone. Nie używać urządzenia, jeśli nie jest odpowiednio wyregulowane oraz całkowicie i bezpiecznie zmontowane.
- Uchwyty zawsze muszą być suche, czyste i

nie mogą być poplamione resztkami paliwa.

- Prowadzić szpulę żyłki na żądanej wysokości. Pracować w taki sposób, aby szpula żyłki nie dotknęła drobnych przedmiotów (np. kamieni).
- Podczas koszenia na pochyłym terenie zawsze stać poniżej narzędzia tnącego. Nigdy nie ciąć lub podkaszac na śliskich wzniesieniach lub zboczach.
- Jeżeli trwa rozruch silnika lub silnik pracuje, nie zbliżać do szpuli części ciała ani odzieży. Przed uruchomieniem silnika upewnić się, że szpula nie dotknie żadnej przeszkody.
- Przed rozpoczęciem wszelkich prac na narzędziach tnących wyłączyć silnik.
- Urządzenie i osprzęt należy przechowywać w bezpiecznym miejscu, z dala od otwartego ognia i źródeł ciepła i iskiei, takich jak przepływowe podgrzewacze gazowe, piece olejowe, przenośne grzejniki itp.
- Przed składowaniem urządzenia usunąć z osłony, szpuli i silnika resztki trawy.
- Na obsługę, regulację i konserwację urządzenia zezwala się wyłącznie odpowiednio przeszkolonym osobom dorosłym.
- Osoby, które nie wiedzą jak obsługiwać urządzenie, powinny nauczyć się obsługi ćwicząc na wyłączonym urządzeniu.
- Przed rozpoczęciem prac należy sprawdzić, czy na terenie który ma być koszony, nie znajdują się twarde przedmioty takie jak metalowe części, butelki, kamienie itp., które mogłyby zostać wyrzucone przez urządzenie i poważnie zranić użytkownika bądź trwale uszkodzić urządzenie. Jeżeli mimo to urządzenie dotknęło twardego przedmiotu, należy natychmiast wyłączyć silnik i sprawdzić, czy urządzenie nie zostało uszkodzone. Nigdy nie używać urządzenia jeżeli jest ono uszkodzone lub wadliwe.
- Podkaszac i ciąć zawsze w górnym zakresie liczby obrotów. Rozpoczynając koszenie lub podczas podkaszania silnik powinien pracować na wysokich obrotach.
- Stosować urządzenie wyłącznie do celu, do którego jest ono przewidziane, np. do podkaszania i koszenia chwastów.
- Przy uruchomionym silniku szpula nie powin-

na się nigdy znajdować powyżej kolan.

- Nie pracować z urządzeniem, jeżeli w pobliżu znajdują się inne osoby lub zwierzęta. Podczas koszenia zachować odstęp co najmniej 15 m między obsługującym urządzenie i innymi osobami lub zwierzętami. W przypadku wykaszania do gruntu odstęp powinien wynosić nie mniej niż 30m.

#### **Dodatkowe wskazówki**

- Nie stosować innego paliwa niż zalecane w instrukcji obsługi. Stosować się do wskazań podanych w punkcie „Paliwo i olej” tej instrukcji. Nie stosować niewymieszanej odpowiednio z olejem do silników dwusuwowych benzyny. W przeciwnym razie istnieje ryzyko trwałego uszkodzenia silnika i wygaśnięcia gwarancji producenta.
- Podczas napełniania paliwa i uruchamiania urządzenia nie palić.
- Nigdy nie pracować z urządzeniem bez rury wydechowej.
- Nigdy nie dotykać rękami ani innymi częściami ciała rury wydechowej. Urządzenie trzymać za uchwyty, obejmując je palcami.
- Nigdy nie obsługiwać urządzenia stojąc w niewygodnej pozycji, przy problemach z równowagą, z wyciągniętymi rękami bądź jedną ręką. Podczas pracy trzymać urządzenie oburącz, obejmując palcami uchwyty.
- Jeżeli urządzenie jest uruchomione, szpula powinna być zawsze na gruncie.
- Stosować urządzenie wyłącznie do celu, do którego jest ono przewidziane, np. do podkaszania trawnika i koszenia.
- Nie pracować z urządzeniem przez dłuższy czas w sposób ciągły - regularnie robić przerwy w pracy.
- Zabrania się pracy z urządzeniem znajdując się pod wpływem alkoholu lub narkotyków.
- Urządzenie może być używane tylko w nienagannym stanie i z zamocowaną odpowiednią osłoną.
- Wprowadzenie jakichkolwiek zmian w urządzeniu zagraża bezpieczeństwu

użytkownika i powoduje wygaśnięcie gwarancji producenta.

- Nigdy nie stosować urządzenia w pobliżu łatwopalnych cieczy lub gazów (zarówno w pomieszczeniach zamkniętych, jak i na wolnym powietrzu). Grozi to wybuchem lub pożarem.
- Nie stosować innych narzędzi tnących. Dla własnego bezpieczeństwa należy używać tylko wyposażenia dodatkowego i osprzętu podanych w poniższej instrukcji obsługi lub zalecanych bądź podanych przez producenta. Używanie innego niż podany w instrukcji obsługi lub w katalogu narzędzia tnącego lub wyposażenia dodatkowego może być przyczyną niebezpieczeństwa obrażeń.

#### **Środki bezpieczeństwa przy pracy z nożami**

- Stosować się do wszystkich ostrzeżeń i wskazań odnośnie obsługi i montażu noży.
- Nóż może zostać gwałtownie odbity od przedmiotów, których nie jest w stanie przeciąć lub skosić. Grozi to zranieniem rąk lub nóg. Znajdujące się w pobliżu osoby lub zwierzęta powinny zachować odstęp co najmniej 15m od miejsca pracy, niezależnie od kierunku. Jeżeli urządzenie natrafi na ciało obce, natychmiast wyłączyć silnik i odczekać do całkowitego zatrzymania się noża. Sprawdzić, czy nóż nie został uszkodzony. Jeżeli nóż jest wygięty lub pęknięty, musi zostać wymieniony.
- Nóż odrzuca przedmioty z dużą szybkością. Grozi to obrażeniami i utratą wzroku. Nosić ochronę oczu, twarzy i nóg. Zawsze przed rozpoczęciem pracy, usunąć wszelkie przedmioty z terenu, na którym ma się pracować z nożami.
- Przed każdym użyciem dokładnie sprawdzić czy urządzenie i wyposażenie nie zostały uszkodzone. Nie stosować urządzenia bez zainstalowanego prawidłowo wyposażenia i osłon noży.
- Po zwolnieniu dźwigni gazu nóż zwalnia aż do całkowitego zatrzymania. Poruszający się nóż grozi zranieniem osoby obsługującej urządzenie lub znajdującym się w pobliżu



osobom. Przed rozpoczęciem wszelkich prac związanych nożami wyłączyć silnik i upewnić się, że nóż się całkowicie zatrzymał.

- Obszar zagrożenia w promieniu 15 metrów. Znajdujące się w pobliżu osoby mogą doznać obrażeń lub utraty wzroku. Zachować zawsze i w każdym kierunku odstęp 15 metrów od innych osób i zwierząt.

### 3. Opis urządzenia i zakres dostawy

#### 3.1 Opis urządzenia (rys. 1-13)

1. Łącznik prowadnicy
2. Prowadnica
3. Uchwyt prowadnicy
4. Linka startowa / ciągnio
5. Dźwignia przepustnicy
6. Zbiornik paliwa
7. Pompa paliwa „primer”
8. Osłona obudowy filtra powietrza
9. Włącznik/ Wyłącznik
10. Zabezpieczenie dźwigni gazu
11. Dźwignia gazu
12. Blokada dźwigni gazu
13. Szpula z żyłką tnącą
14. Osłona szpuli
15. Osłona noża
16. 4 śruby M5
17. Pas nośny
- 18a. Nóż (4 zęby)
- 18b. Nóż (3 zęby)
19. Mocowanie uchwytu prowadnicy
20. Pokrętko ze śrubą M8
21. Podkładka Ø 8mm
22. Tarcza zabierakowa
23. Tarcza dociskowa
24. Pokrywa tarczy dociskowej
25. Nakrętka M10 (gwint lewy)
26. Butelka do mieszania oleju i benzyny
27. Klucz do świec zapłonowych
28. Klucz płaski 8/10mm
29. Klucz imbusowy 4 mm
30. Klucz imbusowy 5 mm
31. Osłona końcówki świecy zapłonowej
32. Pokrętko ze śrubą M6
33. Nakrętka M6

34. Podkładka Ø 6mm
35. Filtr powietrza
36. Końcówka świecy zapłonowej

W tekście pojęcie narzędzie tnące odnosi się zarówno do noża (18a/18b) jaki i szpuli żyłki (13).

#### 3.2 Zakres dostawy

- Otworzyć opakowanie i ostrożnie wyciągnąć urządzenie.
- Zdjąć opakowanie oraz zabezpieczenia do transportu (jeśli jest).
- Sprawdzić, czy dostawa jest kompletna.
- Sprawdzić, czy urządzenie i wyposażenie dodatkowe nie zostały uszkodzone w transporcie.
- W razie możliwości zachować opakowanie, aż do upływu czasu gwarancji.

#### Uwaga!

**Urządzenie i opakowanie nie są zabawkami! Dzieci nie mogą bawić się częściami z tworzywa sztucznego, folią i małymi elementami! Niebezpieczeństwo poślgnięcia i uduszenia się!**

### 4. Zastosowanie zgodne z przeznaczeniem

Urządzenie stosowane z nożem może służyć do cięcia wysokiej trawy i niewielkich zarośli przy użyciu czterozębego noża oraz do cięcia gęstszych zarośli i cienkich gałęzi przy użyciu trójzębego noża.

Urządzenie stosowane ze szpulą z żyłką tnącą nadaje się do cięcia trawnika oraz lekkich chwastów. Do prawidłowego stosowania urządzenia konieczne jest zastosowanie się instrukcji obsługi dostarczonej przez producenta. Wszelkie inne zastosowanie, które nie jest wyraźnie wskazane w tej instrukcji jako dozwolone, może prowadzić do uszkodzenia urządzenia i stanowić poważne zagrożenie dla użytkownika. Ścisłe przestrzegać ograniczeń opisanych we wskazówkach bezpieczeństwa.

Prosimy pamiętać o tym, że nasze urządzenia nie są przeznaczone do zastosowania profesjonalnego, rzemieślniczego lub przemysłowego. Nie przejmujemy odpowiedzialności w razie stosowania urządzenia w zakładach rzemieślniczych, przemysłowych lub do podobnych działalności.

Uwaga! Z powodu zagrożenia dla obsługującego urządzenie nie może być stosowane do następujących prac: do czyszczenia (zdmuchiwania) przedmiotów ze ścieżek i jako rozdrabniacz ściniek z drzewa lub żywopłotu. Urządzenie nie może być używane do wyrównywania nierówności gruntu, np. kopców kretów. Z przyczyn bezpieczeństwa kosa nie może być używana jako napęd dla innych urządzeń.

Urządzenie należy stosować tylko zgodnie z jego przeznaczeniem. Każde użycie odbiegające od opisanego w niniejszej instrukcji jest niezgodne z przeznaczeniem. Za wynikające stąd szkody lub obrażenia odpowiedzialność ponosi użytkownik/właściciel, a nie producent.

## 5. Dane techniczne

Typ silnika .....	Silnik 2-suwowy; chłodzony
.....	powietrzem; cylinder chromowany
Moc silnika (max.) .....	1,35 kW/ 1,8 KM
Pojemność .....	42,7 cm <sup>3</sup>
Prędkość obrotowa biegu	
jałowego silnika .....	3000 obr/min
Max. liczba obrotów silnika	
z nożem: .....	9000 obr/min
ze szpulą: .....	8400 obr/min
Max. prędkość cięcia	
z nożem: .....	6800 obr/min
ze szpulą: .....	6300 obr/min
Zapłon .....	elektryczny
Napęd .....	Sprzęgło odśrodkowe
Waga (pusty zbiornik paliwa).....	7,5 kg
Obszar cięcia żyłki Ø .....	41 cm
Obszar cięcia noża Ø .....	23 cm
Długość żyłki .....	8,0 m
Ø żyłki .....	2,0 mm
Pojemność zbiornika .....	0,8 l
Świeca zapłonowa .....	Champion RCJ6Y
Zużycie paliwo przy	
max. mocy silnika .....	0,6 kg/h
Specyficzne zużycie paliwa	
przy max. mocy silnika .....	446 g/kWh

### Hałas i wibracje

Poziom ciśnienia akustycznego L <sub>PA</sub> .....	98 dB(A)
Odchylenie K <sub>PA</sub> .....	1,5 dB
Poziom mocy akustycznej L <sub>WA</sub> .....	110 dB(A)
Odchylenie K <sub>WA</sub> .....	1,5 dB

### Nosić nauszники ochronne.

Oddziaływanie hałasu może spowodować utratę słuchu.

### Praca

Wartość emisji drgań  $a_h = 4,1 \text{ m/s}^2$   
 Odchylenie  $K = 1,5 \text{ m/s}^2$

## Ograniczać powstawanie hałasu i wibracji do minimum!

- Używać wyłącznie urządzeń bez uszkodzeń.
- Regularnie czyścić urządzenie.
- Dopasować własny sposób pracy do urządzenia.
- Nie przeciążać urządzenia.
- W razie potrzeby kontrolować urządzenie.
- Nie włączać urządzenia, jeśli nie będzie używane.
- Nosić rękawice ochronne.

## 6. Przed uruchomieniem

### 6.1 Montaż

#### 6.1.1 Montaż uchwytu prowadnicy (rys. 3a-3c)

Zamontować uchwyt prowadnicy (3) tak jak pokazano na rys. 3a-3c. Dokręcić śrubę (20) dopiero po ustawieniu odpowiedniej pozycji roboczej wraz z pasem nośnym (17) (patrz również punkt 6.2). Uchwyt prowadnicy powinien zostać ustawiony tak jak pokazano na rys. 1. Demontaż wykonuje się w odwrotnej kolejności.

#### 6.1.2 Montaż prowadnicy (rys. 4a – 4c)

Wsunąć pokrętkę ze śrubą (32) przez podkładkę (34) w łącznik prowadnicy (1). Lekko skrócić ze sobą pokrętkę ze śrubą i nakrętkę (33). Nacisnąć dźwignię zabezpieczającą (A) i ostrożnie wsunąć prowadnicę (rys. 4a/poz. 2) w łącznik prowadnicy. Zwrócić przy tym uwagę na to, aby wały napędowe we wnętrzu prowadnicy mogły się w sobie przesuwać; w razie konieczności lekko przekręcić lekko szpulę (13) / nóż (18a/18b). Przedni wypust dźwigni zabezpieczającej (A) musi zatrzasknąć się w otworze (B). Następnie dokręcić pokrętkę ze śrubą (patrz rys. 4c). Aby zdemontować prowadnicę wystarczy poluzować pokrętkę i uruchomić dźwignię blokującą.

#### 6.1.3 Montaż osłony noża

Uwaga: Podczas pracy z nożem, osłona noża (15) musi być zamontowana.

Montaż osłony noża przeprowadzić zgodnie z rys. 5a-5b.

#### 6.1.4 Montaż/wymiana noża

Montaż noża (18a/18b) odbywa się zgodnie z rysunkami 6a-6g. Demontaż należy wykonać w odwrotnej kolejności.

- Nasadzić tarczę zbierakową (22) na wał zębaty zgodnie z rys. 6b.
- Zablokować nóż (18a/18b) na tarczy zbierakowej (rys. 6c).
- Nałożyć tarczę dociskową (23) na gwint wału zębatego (rys. 6d)
- Nałożyć pokrywę tarczy dociskowej (24) (rys. 6e)
- Znaleźć otwór w tarczy zbierakowej, dopasować jego położenie do znajdującej się poniżej wypustki i zablokować przy użyciu dostarczonego klucza imbusowego (29), a następnie przy użyciu klucza do świece zapłonowych (27) dokręcić nakrętkę (25) (rys. 6f/6g). Uwaga: Gwint lewy
- Noże (18a/18b) dostarczane są z plastikowymi futerałami na ostrza. Należy je zdjąć przed użyciem i po zakończeniu założyć z powrotem.

#### 6.1.5 Montaż osłony szpuli na osłonie noża

Uwaga: Podczas pracy z żyłką musi być dodatkowo założona osłona szpuli (14).

Montaż osłony szpuli przeprowadzić zgodnie z rys. 7a-7b. Zwrócić uwagę na to, aby osłona szpuli odpowiednio zaskoczyła. Na dolnej stronie osłony znajduje się nóż (rys. 7a/poz. F) do automatycznej regulacji długości żyłki. Jest on przykryty osłoną (rys. 7a/poz. G)

Usunąć tę osłonę przed rozpoczęciem pracy i założyć ją z powrotem po jej zakończeniu.

### 6.1.6 Montaż/wymiana szpuli

Montaż szpuli żyłki (13) pokazany jest na rysunku 7c. Demontaż wykonuje się w odwrotnej kolejności. Urządzenie dostarczane jest ze zmontowaną szpulą.

Znaleźć otwór w tarczy zbierakowej (22), dopasować jego położenie do znajdującej się poniżej wypustki i zablokować przy użyciu dostarczonego klucza imbusowego (29), a następnie nakręcić szpulę na gwint.

**Uwaga:** Gwint lewy

### 6.2 Ustawienie wysokości cięcia

- Założyć pas nośny (17) tak jak pokazano na rys. 8a-8c.
- Powiesić urządzenie na pasie (rys. 8b) przymocowując je do haczyka.
- Za pomocą regulacji pasa (rys. 8e) ustawić pas nośny w optymalnej pozycji pracy i cięcia.
- Aby upewnić się, że długość pasa jest optymalna, wykonać kilka ruchów wahadłowych urządzeniem bez włączenia silnika (rys. 9a).

Pas nośny jest wyposażony w mechanizm szybkiego otwierania. Jeśli zachodzi konieczność natychmiastowego odłożenia urządzenia, pociągnąć za czerwony element na pasie nośnym (rys. 8f).

**Uwaga:** W czasie pracy z urządzeniem zawsze używać pasa nośnego. Założyć pas nośny natychmiast po włączeniu silnika i gdy pracuje na biegu jałowym. Pas nośny zdjąć dopiero po wyłączeniu silnika.

### 6.3 Paliwo i olej

Zalecane paliwa

Używać wyłącznie mieszanki benzyny bezołowiowej i specjalnego oleju do silników dwusuwowych.

Wymieszać paliwo w proporcjach podanych w tabeli mieszania paliwa.

**Uwaga:** Nie używać mieszanki paliwa składowanej przez dłużej niż 90 dni.

**Uwaga:** Nie używać oleju do silników dwusuwowych, przy którym zaleca się stosunek mieszania

100:1. W razie uszkodzenia silnika z powodu niewystarczającego smarowania wygasa gwarancja producenta.

**Uwaga:** Do transportu i przechowywania paliwa stosować wyłącznie przeznaczone do tego i dopuszczone pojemniki. Każdorazowo przy mieszanii paliwa nalać odpowiednią ilość benzyny i oleju do silników dwusuwowych do załączonej butelki (zwrócić uwagę na wydrukowaną skalę). Dobrze potrząsnąć pojemnikiem.

### 6.4 Tabela mieszania paliwa

Proporcja mieszanki: 40 części benzyny na 1 część oleju

Benzyna	Olej do silników dwusuwowych
1 litr	25 ml
5 litrów	125 ml

## 7. Obsługa

Przestrzegać obowiązujących przepisów prawa dotyczących hałasu. Mogą one różnić się w zależności od kraju i regionu.

Przed każdym uruchomieniem urządzenia sprawdzić czy spełnione są następujące warunki: Szczelność układu paliwowego.

Nienaganny stan i kompletność urządzeń zabezpieczających i narzędzi tnących.

Silne dokręcenie wszystkich śrub.

Swoboda poruszania się wszystkich części ruchomych.


### 7.1 Uruchamianie urządzenia z nierozgrzanym silnikiem

Napełnić zbiornika mieszanką benzyny i oleju.

Patrz również punkt „Paliwo i olej”

1. Postawić urządzenie na twardej, równej powierzchni.
2. 10 razy nacisnąć pompę paliwa (primer) (rys. 1/poz.7).
3. Ustawić włącznik/wyłącznik w położenie „I” (rys. 1/poz.9).
4. Unieruchomić dźwignię gazu (rys. 1/poz.11). W tym celu uruchomić blokadę gazu (rys.1/

poz. 12) i dźwignię gazu (rys. 1/poz. 11) i przez jednoczesne wciśnięcie zabezpieczenia (rys. 1/poz. 10) unieruchomić dźwignię gazu.

5. Ustawić dźwignię przepustnicy w położenie „” (rys. 1/poz. 5).
6. Trzymając mocno urządzenie pociągnąć za linkę startową (rys. 1/poz. 4) aż do pierwszego oporu. Następnie pociągnąć ciągną szybko 4 razy. Urządzenie powinno się załączyć.  
**Uwaga:** Nie puszczać linki startowej. Może to prowadzić do uszkodzeń.  
**Uwaga:** Dzięki unieruchomionej dźwigni gazu przy uruchomionym silniku urządzenie tnące zaczyna pracować.

Następnie odblokować dźwignię gazu przez uruchomienie jej. Uruchomienie dźwigni gazu jednocześnie odblokowuje dźwignię przepustnicy. (Silnik wraca na bieg jałowy).

7. Jeżeli silnik nie zapalił powtórzyć czynności podane w punktach 4-6.  
**Ważne:** Jeśli silnik nie zaskoczy również po kilku próbach, przeczytać akapit „Ustawianie usterek”.  
**Ważne:** Ciągną z linką wyciągać zawsze na wprost. Jeśli jest wyciągana pod kątem, dochodzi do tarcia na oczku. Przez tarcie linka przeciera się i szybciej się zużywa.  
Zawsze podczas cofania się linki trzymać ciągną.  
Po wyciągnięciu nie puszczać linki, by się za szybko nie cofała.

## 7.2 Uruchamianie urządzenia z rozgrzanym silnikiem

(Urządzenie było wyłączone przez nie dłużej niż 15-20 min.)

1. Postawić urządzenie na twardej, równej powierzchni.
2. Ustawić włącznik/wyłącznik w położenie „I” (rys. 1/poz. 9).
3. Unieruchomić dźwignię gazu (rys. 1/poz. 11) (Analogicznie do punktu „Uruchamianie urządzenia z nierozgrzanym silnikiem”).
4. Mocno trzymając urządzenie pociągnąć za linkę startową aż do pierwszego oporu.

Następnie szybko pociągnąć ciągną.  
Urządzenie powinno się załączyć po 1-2 pociągnięciach. Jeśli urządzenie nie załączy się po 6 pociągnięciach, powtórzyć kroki 1-7 załączania zimnego silnika.

## 7.3 Wyłączanie silnika

### Postępowanie w razie awaryjnego wyłączenia:

Jeśli konieczne jest natychmiastowe wyłączenie urządzenia, przełączyć włącznik/wyłącznik (9) na położenie „STOP” lub „0”.

### Postępowanie w normalnej sytuacji:

Puścić dźwignię gazu (11) i odczekać aż silnik zacznie pracować na biegu jałowym. Ustawić włącznik/wyłącznik (9) w pozycji „Stop” wzgl. „0”.

## 7.4 Wskazówki użytkownika

Przed rozpoczęciem pracy wypróbować różne techniki pracy bez włączania silnika.

**Ostrzeżenie:** Zachować szczególną ostrożność przy wykaszaniu do gruntu. Podczas prac tego rodzaju zawsze zachować odstęp 30 metrów od innych osób i zwierząt.

### Przedłużanie żyłki

**Ostrzeżenie!** Nie używać jako w szpuli jako żyłki tnącej metalowych drutów ani metalowych drutów w izolacji. Może to prowadzić do ciężkich obrażeń użytkownika.

Aby wydłużyć żyłkę (13), ustawić silnik na maksymalną moc i krótko dotknąć szpulą podłoża. Żyłka zostanie automatycznie wydłużona. Nóż na osłonie skraca żyłkę do odpowiedniej długości (rys. 9b).

**Zachować ostrożność:** Regularnie usuwać resztki trawy lub chwastów, aby uniknąć przegrzania urządzenia.

Resztki skoszonoj trawy i chwastów gromadzą się pod osłoną (rys. 9c), co uniemożliwia odpowiednie chłodzenie urządzenia. Ostrożnie usunąć resztki za pomocą np. śrubokręta lub innego odpowiedniego narzędzia.



### Sposoby cięcia

Jeśli urządzenie jest właściwie zmontowane, można ciąć nim chwasty i wysoką trawę w trudnodostępnych miejscach np. wzdłuż ogrodzeń, murów, fundamentów i wokół drzew. Można go również używać do wykaszania do gruntu w celu lepszego przygotowania ogrodu lub wykoszenia danego obszaru blisko podłoża.

**Ważne:** Również przy bardzo ostrożnym cięciu przy fundamentach, murach z kamienia lub betonu zużycie żyłki jest wyższe niż w normalnych warunkach.

### Podkaszanie/koszenie (ze szpulą/z nożem)

Poruszać urządzenie ruchem wahadłowym, z jednej strony na drugą. Szpulę żyłki utrzymywać w pozycji równoległej do podłoża.

Sprawdzić obszar, który ma być koszony i wybrać żądaną wysokość koszenia. Ustawić i prowadzić narzędzie na wybranej wysokości, aby zapewnić równomierne cięcie (rys.9d).

### Niskie podkaszanie (ze szpulą)

Trzymać urządzenie dokładnie przed sobą, ustawione pod lekkim kątem, tak aby spód szpuli znajdował się tuż nad podłożem i żyłka mogła ciąć w odpowiednim miejscu. Ciąć zawsze w kierunku od siebie. Nie przyciągać urządzenia do siebie.

### Cięcie przy ogrodzeniu/fundamencie (ze szpulą)

Przy cięciu przy ogrodzeniach z siatki drucianej, drewnianych płotach, kamiennych murach, fundamentach, urządzenie zbliżać do nich powoli, aby ciąć nie uderzając żyłką o przeszkody. Kontakt żyłki z przeszkodami takimi jak np. kamienie, mur lub fundament, powoduje zużycie się lub wystrzępienie żyłki. Jeśli żyłka uderzy o ogrodzenie, może się odłamać.

### Podkaszanie przy drzewach (ze szpulą)

W razie podkaszania przy drzewach, zbliżać się do nich powoli, tak aby żyłka nie dotknęła kory. Obejść drzewo dookoła i uważać, aby go nie uszkodzić podczas pracy z urządzeniem.

Urządzenie zbliżać do trawy i chwastów końcówką żyłki, pochylając szpulę żyłki lekko ku przodowi.

### Wykaszanie do gruntu (ze szpulą)

Wykaszanie do gruntu polega na wykaszaniu całej roślinności aż do ziemi. W tym celu pochylić szpulę żyłki pod kątem ok. 30 stopni na prawo. Ustawić odpowiednio uchwyt na odpowiednie położenie (rys. 9e).

**Uwaga!** Zwiększone niebezpieczeństwo obrażeń użytkownika, osób postronnych i zwierząt oraz niebezpieczeństwo szkód rzeczowych przez wyrzucane z urządzenia przedmioty (np. kamienie).

**Uwaga!** Nie stosować urządzenia do usuwania przedmiotów ze ścieżek itp.!

Kosa spalinowa jest urządzeniem o wysokiej mocy, które może wyrzucać małe kamienie lub inne przedmioty na odległość powyżej 15 m, co może powodować obrażenia osób i szkody mienia, np. samochodów, domów, okien itp.

### Piłowanie

Urządzenie nie nadaje się do piłowania.

### Zablokowanie

Jeśli nóż zablokuje się z powodu zbyt grubej roślinności, należy bezzwłocznie wyłączyć silnik. Wyjąć urządzenie z trawy i zarośli przed jego ponownym użyciem.

### Unikanie odbicia

Podczas pracy z nożem istnieje niebezpieczeństwo odbicia, jeśli natrafi on na twarde przeszkody (pień, konar, kłodę, kamień itp.). Urządzenie zostanie wtedy odrzucone w kierunku przeciwnym do obrotów urządzenia. To może prowadzić do utraty kontroli nad urządzeniem. Nie używać noża w pobliżu ogrodzeń, metalowych słupków, kamieni granicznych i fundamentów.

Aby uniknąć odbić w czasie cięcia cienkich gałęzi należy ułożyć urządzenie jak przedstawiono na rys. 9f.

## 8. Konserwacja i zamawianie części zamiennych

Przed rozpoczęciem prac konserwacyjnych zawsze wyłączyć urządzenie i wyjąć końcówkę świecy zapłonowej (36).

### 8.1 Wymiana szpuli żyłki/żyłki

1. Zdemontować szpulę (13) tak jak opisano w punkcie 6.1.6. Ścisnąć szpulę (rys. 12a) i zdjąć jedną połowę obudowy (rys. 12b).
2. Wyjąć krążek (K) z obudowy szpuli (rys. 12c).
3. Jeżeli na krążku znajduje się stara żyłka, to należy ją usunąć.
4. Złożyć w połowie nową żyłkę i zahaczyć powstałą w ten sposób pętlę o rowek w krążku. (rys. 12d)
5. Napinając żyłkę nawinąć ją w kierunku przeciwnym do ruchu wskazówek zegara. Przegroda szpuli rozdziela obie połowy żyłki. (rys. 12e)
6. Zahaczyć ostatnie 15 cm każdej z żyłek w przeciwległe uchwyty żyłki na krążku. (rys. 12f)
7. Przewlec obie końcówki żyłki przez metalowe oczka na obudowie szpuli (rys. 12c).
8. Wcisnąć krążek w obudowę szpuli (rys. 12b).
9. Krótko mocno pociągnąć za obie końcówki żyłki, aby poluzować je z uchwytów.
10. Złożyć z powrotem obie połowy obudowy.
11. Przyciąć żyłkę na długość ok. 13 cm. Dzięki temu obniża się obciążenie silnika podczas rozruchu i rozgrzewania.
12. Z powrotem zamontować szpulę (patrz punkt 6.1.6). Jeżeli szpula wymieniana jest całkowicie na nową, to opuszcza się punkty 3-6.

### 8.2 Konserwacja filtra powietrza

Zabrudzone filtry powietrza zmniejszają moc silnika z powodu zbyt małego dopływu powietrza do gaźnika.

Z tego powodu konieczna jest regularna kontrola. Filtr powietrza (35) powinien być poddawany kontroli co 25 godzin pracy i w razie konieczności oczyszczany. W przypadku wysokiej zawartości pyłu w powietrzu filtr powietrza powinien być kontrolowany częściej.

1. Zdjąć osłonę filtra powietrza (rys. 10a / poz. 8)
2. Zdjąć filtr powietrza (rys. 10b/10c)
3. Wyczyścić filtr przez wytrzepanie lub przedmuchanie sprężonym powietrzem.
4. Złożyć filtr postępując w odwrotnej kolejności.

**Uwaga:** Filtrów powietrza nigdy nie czyścić benzyną lub łatwopalnymi rozpuszczalnikami.

### 8.3 Konserwacja świecy zapłonowej

Odstęp między elektrodami = 0,6 mm (Odległość między elektrodami, gdzie przeskakuje iskra)  
Dokręcić świecę zapłonową siłą 12 do 15 Nm przy pomocy klucza dynamometrycznego (dostępny w sklepach specjalistycznych). Po pierwszych 10 godzinach pracy sprawdzić czy świeca nie jest zabrudzona i w razie konieczności wyczyścić ją za pomocą miedzianej szczotki. Potem świecę zapłonową konserwować co 50 godzin pracy.

1. Odkręcić śrubokrętem osłonę (rys. 10c/ poz. 31) .
2. Wyjąć końcówkę świecy zapłonowej (rys. 11a/poz. 36).
3. Usunąć świecę zapłonową (rys. 11b) za pomocą dołączonego klucza do świec zapłonowych (27).
4. Złożyć filtr postępując w odwrotnej kolejności.

### 8.4 Ostrzenia noża na osłonie

Nóż na osłonie (rys. 7a/ poz. F) z czasem może się stępić. Jeżeli stwierdzi się, że nóż się stępił, należy odkręcić dwie śruby, za pomocą których nóż zamocowany jest na osłonie. Zamocować nóż w imadle. Ostrzyć nóż płaskim pilnikiem i zwrócić uwagę, aby zachować kąt ostrza. Ostrzyć tylko w jednym kierunku.

### 8.5 Ustawienia gaźnika

**Uwaga:** Regulacja gaźnika może być wykonywana wyłącznie w autoryzowanym serwisie. Przed rozpoczęciem wszelkich prac przy gaźniku należy najpierw zdjąć osłonę filtra powietrza zgodnie z rys. 10a i 10b.

### Ustawienie linki gazu:

Jeśli z czasem urządzenie przestaje osiągać maksymalną liczbę obrotów i wszelkie przyczyny podane w rozdziale „Usuwanie usterek” zostały wykluczone, wówczas może być konieczne wyregulowanie linki gazu.

W tym celu najpierw sprawdzić, czy gaźnik otwiera się całkowicie przy całkowite wciśniętej dźwigni gazu. Dzieje się tak, jeśli zasuwą gaźnika (rys. 13a/poz. F) przy pełnym gazie jest całkowicie otwarta.

Rys. 13a pokazuje poprawne ustawienie. Jeśli zasuwą gaźnika nie otwiera się całkowicie, konieczna jest korekta ustawienia.

Aby wyregulować linkę gazu, wykonać poniższe czynności:

- Odkręcić przeciwnakrętkę (rys. 13/poz. C) o kilka obrotów.
- Wykręcić śrubę regulacji (rys. 13b/poz. D), aż zasuwą gaźnika przy pełnym gazie otwiera się całkowicie jak pokazano na rys. 13a.
- Dokręcić z powrotem przeciwnakrętkę.

### Ustawienie gazu postojowego:

**Uwaga!** Regulować gaz postojowy, gdy urządzenie jest rozgrzane.

Jeśli urządzenie wyłącza się przy wyłączonej dźwigni gazu i inne przyczyny podane w rozdziale „Usuwanie usterek” zostały wykluczone, należy na nowo ustawić gaz postojowy. W tym celu przekręcić śrubę gazu postojowego (rys. 13b/poz. E) zgodnie z ruchem wskazówek zegara, aż urządzenie będzie stabilnie pracować na biegu jałowym. Jeśli gaz postojowy jest tak silny, że powoduje kręcenie się narzędzia tnącego, należy zmniejszyć gaz postojowy przez przekręcenie śruby gazu postojowego w lewo aż narzędzie przestanie się kręcić.

### 8.6 Smarowanie przekładni

Uzupełniać co 20 godzin pracy niewielką ilość płynnego smaru przekładniowego (ok. 10g). W tym celu odkręcić śrubę H (rys. 7c).

### 8.7 Ochrona środowiska

Zanieczyszczone materiały konserwacyjne i materiały eksploatacyjne oddawać do odpowiednich punktów zbiórki odpadów.

Opakowania, metal i tworzywa sztuczne oddać do recyklingu.

### 8.8 Zamawianie części zamiennych

Zamawiając części zamienne należy podać następujące informacje:

- Typ urządzenia
- Numer artykułu urządzenia
- Numer identyfikacyjny urządzenia

Aktualne ceny i informacje można znaleźć na stronie internetowej: [www.isc-gmbh.info](http://www.isc-gmbh.info)



## 9. Przechowywanie i transport

### 9.1 Przechowywanie

**Zachować ostrożność:** Nie przechowywać urządzenia dłużej niż 30 dni bez wykonania następujących czynności.

#### Przechowywanie urządzenia

Jeśli urządzenie będzie przechowywane dłużej niż 30 dni, należy je odpowiednio przygotować. W przeciwnym razie ulatniają się znajdujące się w gaźniku pozostałości paliwa, pozostawiając gumowy osad.

To może utrudnić uruchomienie urządzenia i być przyczyną kosztownych napraw.

1. Powoli odkręcić korek zbiornika paliwa, aby spuścić powstałe ciśnienie.

Ostrożnie opróżnić zbiornik paliwa (6).

2. W celu usunięcia paliwa z gaźnika należy włączyć silnik i pozwolić mu pracować, aż sam się zatrzyma.
3. Zostawić silnik do schłodzenia (ok. 5 minut).
4. Wyjąć świecę zapłonową (rys. 8.3).
5. Do komory spalania wlać 1 łyżeczkę czystego oleju 2-suwowego. Powoli pociągnąć kilka razy za linkę, aby rozprowadzić olej po wewnętrznych częściach urządzenia.

Wkręcić z powrotem świecę zapłonową.

**Wskazówka:** Przechowywać urządzenie w suchym miejscu, z dala od możliwych źródeł zapłonu, np. pieca, gazowego bojlera na ciepłą wodę, suszarki gazowej itp.

#### Ponowne uruchamianie

1. Wyjąć świecę zapłonową (rys. 8.3).
2. Pociągnąć szybko linkę startową, aby usunąć z nadmiar oleju z komory spalania.
3. Wyczyścić świecę zapłonową i sprawdzić właściwy odstęp elektrod na świecy zapłonowej lub włożyć nową świecę z właściwym odstępem elektrod.
4. Przygotować urządzenie do pracy.
5. Napęłnić zbiornik właściwą mieszanką paliwa i oleju. Patrz również punkt „Paliwo i olej”.

### 9.2 Transport

Jeśli urządzenie ma być transportowane, opróżnić zbiornik paliwa tak jak opisano w rozdziale „Przechowywanie”. Oczyszczyć urządzenie z większych zabrudzeń za pomocą szczotki lub zmiotki. Zdemontować prowadnicę i uchwyt prowadnicy wg punktów 6.1.1 i 6.1.2.

## 10. Czyszczenie

Przed rozpoczęciem czyszczenia zawsze wyłączyć urządzenie i wyjąć końcówkę świecy zapłonowej.

- Po każdym użyciu dokładnie oczyścić urządzenie, zwłaszcza narzędzie tnące i osłony.
- Szczeliny wentylacyjne i obudowa silnika powinny być w miarę możliwości wolne od pyłu i zanieczyszczeń. Urządzenie wytrzeć czystą ściereczką lub przedmuchać sprężonym powietrzem o niskim ciśnieniu.
- Zabrudzenia i resztki trawy najłatwiej jest usuwać natychmiast po zakończeniu koszenia.
- Urządzenie czyścić regularnie wilgotną ściereczką z niewielką ilością szarego mydła. Nie używać żadnych środków czyszczących ani rozpuszczalników; mogą one uszkodzić części urządzenia wykonane z tworzywa sztucznego. Należy uważać, aby do wnętrza urządzenia nie dostała się woda.



## 11. Utylizacja i recykling

Sprzęt umieszczony jest w opakowaniu zapobiegającym uszkodzeniom w czasie transportu. Opakowanie jest surowcem i nadaje się do powtórnego użytku lub do recyklingu. Urządzenie oraz jego osprzęt składają się z różnych rodzajów materiałów, jak np. metal i tworzywa sztuczne. Uszkodzone części należy oddać do punktu zbiórki odpadów specjalnych. Paliwo i smary muszą zostać oddane do odpowiedniego punktu zbiórki odpadów specjalnych. Prosimy poinformować się na ten temat w handlu specjalistycznym lub w administracji komunalnej!



## 12. Usuwanie usterek

Usterka	Możliwa przyczyna	Usuwanie usterek
Urządzenie nie uruchamia się.	<ul style="list-style-type: none"> <li>- Nieprawidłowo przeprowadzone załączenie urządzenia.</li> <li>- Zardzewiała lub wilgotna świeca zapłonowa</li> <li>- Nieprawidłowo wyregulowany gaźnik</li> </ul>	<ul style="list-style-type: none"> <li>- Postępować według wskazówek uruchamiania urządzenia</li> <li>- Oczyszczyć świecę lub wymienić na nową.</li> <li>- Zwrócić się do autoryzowanego serwisu lub przestać urządzenie na adres firmy ISC-GmbH.</li> </ul>
Urządzenie uruchamia się, ale nie osiąga maksymalnej mocy	<ul style="list-style-type: none"> <li>- Nieprawidłowe ustawienie dźwigni przepustnicy (5)</li> <li>- Zabrudzony filtr powietrza (35)</li> <li>- Nieprawidłowo wyregulowany gaźnik</li> </ul>	<ul style="list-style-type: none"> <li>- Ustawić dźwignię przepustnicy w położeniu „4”.</li> <li>- Oczyszczyć filtr powietrza.</li> <li>- Zwrócić się do autoryzowanego serwisu lub przestać urządzenie na adres firmy ISC-GmbH.</li> </ul>
Silnik pracuje nierówno	<ul style="list-style-type: none"> <li>- Nieprawidłowy odstęp między elektrodami świecy zapłonowej</li> <li>- Nieprawidłowo wyregulowany gaźnik</li> </ul>	<ul style="list-style-type: none"> <li>- Oczyszczyć świecę i wyregulować odstęp między elektrodami albo wymienić świecę na nową.</li> <li>- Zwrócić się do autoryzowanego serwisu lub przestać urządzenie na adres firmy ISC-GmbH.</li> </ul>
Silnik za mocno dymi	<ul style="list-style-type: none"> <li>- Nieprawidłowa mieszanka paliwa</li> <li>- Nieprawidłowo wyregulowany gaźnik</li> </ul>	<ul style="list-style-type: none"> <li>- Użyć właściwej mieszanki paliwa (patrz tabela mieszania paliwa)</li> <li>- Zwrócić się do autoryzowanego serwisu lub przestać urządzenie na adres firmy ISC-GmbH.</li> </ul>

### 13. Deklaracja zgodności z normami

**Einhell Germany AG · Wiesenweg 22 · D-94405 Landau/Isar**



#### Konformitätserklärung

**D** erklärt folgende Konformität gemäß EU-Richtlinie und Normen für Artikel  
**GB** explains the following conformity according to EU directives and norms for the following product  
**F** déclare la conformité suivante selon la directive CE et les normes concernant l'article  
**I** dichiara la seguente conformità secondo la direttiva UE e le norme per l'articolo  
**NL** verklaart de volgende overeenstemming conform EU richtlijn en normen voor het product  
**E** declara la siguiente conformidad a tenor de la directiva y normas de la UE para el artículo  
**P** declara a seguinte conformidade, de acordo com a directiva CE e normas para o artigo  
**DK** atterer følgende overensstemmelse i medfør af EU-direktiv samt standarder for artikel  
**S** förklarar följande överensstämmelse enl. EU-direktiv och standarder för artikeln  
**FIN** vakuuttaa, että tuote täyttää EU-direktiivin ja standardien vaatimukset  
**EE** tõendab toote vastavust EL direktiivile ja standarditele  
**CZ** vydává následující prohlášení o shodě podle směrnice EU a norem pro výrobek  
**SLO** potrjuje sledečo skladnost s smernico EU in standardi za izdelek  
**SK** vydáva nasledujúce prehlásenie o zhode podľa smernice EÚ a noriem pre výrobok  
**H** a cikkekhez az EU-irányvonal és Normák szerint a következő konformitást jelenti ki

**PL** deklaruje zgodność wymienionego poniżej artykułu z następującymi normami na podstawie dyrektywy WE.  
**BG** декларира съответното съответствие съгласно Директива на ЕС и норми за артикул  
**LV** paskaidro šādu atbilstību ES direktīvai un standartiem  
**LT** apibūdina šį atitikimą EU reikalavimams ir prekės normoms  
**RO** declară următoarea conformitate conform directivei UE și normelor pentru articolul  
**GR** δηλώνει την ακόλουθη συμμόρφωση σύμφωνα με την Οδηγία ΕΚ και τα πρότυπα για το προϊόν  
**HR** potvrđuje sljedeću uskladenost prema smjernicama EU i normama za artikl  
**Izjava o sukladnosti za ovaj proizvod dostupna je na internet stranici www.lidl.hr.**  
**BIH** potvrđuje sljedeću uskladenost prema smjernicama EU i normama za artikl  
**RS** potvrđuje sledeću uskladenost prema smernicama EZ i normama za artikal  
**RUS** следующим удостоверяется, что следующие продукты соответствуют директивам и нормам ЕС  
**UKR** проголошує про зазначену нижче відповідність виробу директивам та стандартам ЄС на виріб  
**MK** ja izjavuва следната сообразност согласно ЕУ-директивата и нормите за артикли  
**TR** Ürünü ile ilgili AB direktifleri ve normlan gereğince aşağıda açıklanan uygunluğu belirtir  
**N** erklærer følgende samsvar i henhold til EU-direktivet og standarder for artikkel  
**IS** Lýsir uppfyllingu EU-reglna og annarra staðla vöru

#### Benzin-Sense FBS 43 A1 (Florabest)

- |                                                 |                                                                                                                                                                         |
|-------------------------------------------------|-------------------------------------------------------------------------------------------------------------------------------------------------------------------------|
| <input type="checkbox"/> 87/404/EC_2009/105/EC  | <input checked="" type="checkbox"/> 2006/42/EC                                                                                                                          |
| <input type="checkbox"/> 2005/32/EC_2009/125/EC | <input type="checkbox"/> Annex IV<br>Notified Body:<br>Notified Body No.:<br>Reg. No.:                                                                                  |
| <input type="checkbox"/> 2006/95/EC             |                                                                                                                                                                         |
| <input type="checkbox"/> 2006/28/EC             | <input checked="" type="checkbox"/> 2000/14/EC_2005/88/EC                                                                                                               |
| <input checked="" type="checkbox"/> 2004/108/EC | <input checked="" type="checkbox"/> Annex V                                                                                                                             |
| <input type="checkbox"/> 2004/22/EC             | <input type="checkbox"/> Annex VI<br>Noise measured: $L_{WA} = 104,7$ dB (A); guaranteed $L_{WA} = 110$ dB (A)<br>$P = 1,35$ KW; $L/\varnothing =$ cm<br>Notified Body: |
| <input type="checkbox"/> 1999/5/EC              |                                                                                                                                                                         |
| <input type="checkbox"/> 97/23/EC               | <input checked="" type="checkbox"/> 2006/28/EC<br>Emission No.: e11*97/68SA*2004/26*1181*00                                                                             |
| <input type="checkbox"/> 90/396/EC_2009/142/EC  |                                                                                                                                                                         |
| <input type="checkbox"/> 89/686/EC_96/58/EC     |                                                                                                                                                                         |
| <input type="checkbox"/> 2011/65/EC             |                                                                                                                                                                         |

Standard references: EN ISO 11806; EN ISO 14982

Landau/Isar, den 14.02.2012

Weichselgartner/General-Manager

Frank/Product-Management

First CE: 10  
 Art.No.: 34.019.93 I.No.: 11011  
 Subject to change without notice

Archive-File/Record: NAPR005246  
 Documents registrar: Robert Mayn  
 Wiesenweg 22, D-94405 Landau/Isar

## 14. Gwarancja

Na opisywane w instrukcji obsługi urządzenie udzielamy 3-letniej gwarancji, na wypadek wadliwości naszego produktu. 3-letni okres gwarancyjny zaczyna obowiązywać w momencie przejścia ryzyka lub przejęcia urządzenia przez klienta.

Warunkiem skorzystania z uprawnień gwarancyjnych jest prawidłowa konserwacja urządzenia, zgodnie z instrukcją obsługi oraz użytkowanie zgodne z przeznaczeniem. Odnosi się to szczególnie do akumulatorów, na które udzielamy jednak 12-miesięcznej gwarancji.

Oczywiście w okresie tych 3 lat przysługują Państwu również uprawnienia gwarancyjne w ramach ustawowej rękojmi.

Gwarancja obowiązuje na terenie Republiki Federalnej Niemiec lub w kraju generalnego przedstawiciela handlowego, jako uzupełnienie obowiązujących lokalnie przepisów ustawowych. Prosimy zwrócić się do odpowiedzialnego pracownika w regionalnym dziale obsługi klienta lub pod podany poniżej adres serwisu technicznego.

**Einhell Polska sp. z o.o.**

Ul. Wymysłowskiego 1  
PL-55-080 Nowa Wieś Wrocłaska  
tel. +48 71 3603071, 76, 77, 78, 81, 85  
fax +48 71 3603066  
e-mail: serwis@einhell.pl

IAN 72317



## Inhaltsverzeichnis

1. Einleitung .....	87
2. Sicherheitshinweise.....	87
3. Gerätebeschreibung und Lieferumfang .....	90
4. Bestimmungsgemäße Verwendung .....	90
5. Technische Daten .....	91
6. Vor Inbetriebnahme .....	92
7. Bedienung .....	93
8. Wartung und Ersatzteilbestellung .....	96
9. Lagerung und Transport.....	97
10. Reinigung.....	98
11. Entsorgung und Wiederverwertung .....	98
12. Fehlersuchplan .....	99
13. Konformitätserklärung .....	100
14. Garantiekunde.....	101



Der Nachdruck oder sonstige Vervielfältigung von Dokumentation und Begleitpapieren der Produkte, auch auszugsweise, ist nur mit ausdrücklicher Zustimmung der iSC GmbH zulässig.

Technische Änderungen vorbehalten



## 1. Einleitung

Herzlichen Glückwunsch zum Kauf Ihres neuen Gerätes.

Sie haben sich damit für ein hochwertiges Produkt entschieden. Die Bedienungsanleitung ist Bestandteil dieses Produkts. Sie enthält wichtige Hinweise für Sicherheit, Gebrauch und Entsorgung. Machen Sie sich vor der Benutzung des Produkts mit allen Bedien- und Sicherheitshinweisen vertraut. Benutzen Sie das Produkt nur wie beschrieben und für die angegebenen Einsatzbereiche. Händigen Sie alle Unterlagen bei Weitergabe des Produkts an Dritte mit aus.

## 2. Sicherheitshinweise

### ⚠ Warnung

**Lesen Sie alle Sicherheitshinweise und Anweisungen.** Versäumnisse bei der Einhaltung der Sicherheitshinweise und Anweisungen können elektrischen Schlag, Brand und/oder schwere Verletzungen verursachen.

**Bewahren Sie alle Sicherheitshinweise und Anweisungen für die Zukunft auf.**

### Sicherheitsvorrichtungen

Beim Arbeiten mit dem Gerät muss die entsprechende Kunststoffschutzhaube für Messer- oder Fadenbetrieb montiert sein, um das Wegschleudern von Gegenständen zu verhindern. Das integrierte Messer in der Schnitfadenschutzhaube schneidet den Faden automatisch auf die optimale Länge ab.

### Erklärung der Hinweisschilder auf dem Gerät (Abb. 14):

1. Warnung!
2. Vor Inbetriebnahme Bedienungsanleitung lesen!
3. Augen-/ Kopf- und Gehörschutz tragen!
4. Festes Schuhwerk tragen!
5. Schutzhandschuhe tragen!
6. Gerät vor Regen oder Nässe schützen!
7. Achten Sie auf weggeschleuderte Teile!
8. Vor Wartungsarbeiten Gerät abstellen und Zündkerzenstecker abziehen!

9. Der Abstand zwischen Gerät und umstehenden Personen muss mindestens 15 Meter betragen!
10. Schneidwerkzeug (Schnittmesser/Schnitffaden) läuft nach!
11. Achtung, heiße Teile. Abstand halten!
12. Ergänzen Sie alle 20 Betriebsstunden etwas Fett (Getriebefießfett)!

### Sicherheitshinweise

- Lesen Sie die Bedienungsanleitung sorgfältig. Machen Sie sich mit den Einstellungen und dem richtigen Gebrauch des Gerätes vertraut.
- Erlauben Sie niemals anderen Personen, welche die Bedienungsanleitung nicht kennen, das Gerät zu benutzen. Örtliche Bestimmungen können das Mindestalter des Benutzers festlegen.
- Mähen Sie niemals während andere Personen, insbesondere Kinder oder Tiere, in der Nähe sind.

### Warnung:

- Halten Sie einen Sicherheitsabstand von 15 m ein. Bei Annäherung stellen Sie das Gerät unverzüglich ab. Denken Sie daran, dass der Benutzer für Unfälle mit anderen Personen oder deren Eigentum verantwortlich ist.
- Achtung: Vergiftungsgefahr, Abgase, Kraftstoffe, und Schmierstoffe sind giftig, Abgase dürfen nicht eingeatmet werden.

### Vor dem Gebrauch

- Während des Mähens sind immer festes Schuhwerk und lange Hosen zu tragen. Mähen Sie nicht barfuß oder in leichten Sandalen.
- Überprüfen Sie das Gelände, auf dem das Gerät eingesetzt wird und entfernen Sie alle Gegenstände, die erfasst und weggeschleudert werden können.
- Warnung: Benzin ist hochgradig entflammbar:
  - bewahren Sie Benzin nur in den dafür vorgesehenen Behältern auf.
  - tanken Sie nur im Freien und rauchen Sie nicht während des Einfüllvorganges.
  - Benzin ist vor dem Starten des Motors einzufüllen. Während der Motor läuft oder bei heißem Gerät darf der Tankverschluss nicht



geöffnet oder Benzin nachgefüllt werden.

- Falls Benzin übergelaufen ist, darf kein Versuch unternommen werden, den Motor zu starten. Stattdessen ist das Gerät von der benzinverschmutzten Fläche zu entfernen.

Jeglicher Zündversuch ist zu vermeiden, bis sich die Benzindämpfe verflüchtigt haben.

- Aus Sicherheitsgründen sind Benzintank und Tankverschlüsse bei Beschädigung auszutauschen.

- Ersetzen Sie defekte Schalldämpfer.
- Vor dem Gebrauch ist immer durch Sichtkontrolle zu prüfen, ob die Schneidwerkzeuge, Befestigungsbolzen und die gesamte Schneideinheit abgenutzt oder beschädigt sind. Zur Vermeidung einer Unwucht dürfen abgenutzte oder beschädigte Schneidwerkzeuge und Befestigungsbolzen nur satzweise ausgetauscht werden.

## Handhabung

### (Bedienung, Lagerung, Kontrolle)

- Tragen Sie anliegende Arbeitskleidung, die Schutz bietet, wie eine lange Hose, sichere Arbeitsschuhe, strapazierfähige Arbeitshandschuhe, einen Schutzhelm, eine Schutzmaske für das Gesicht oder eine Schutzbrille zum Schutz der Augen und gute Ohrwatte oder einen anderen Gehörschutz gegen den Lärm.
- Bewahren Sie das Gerät an einem sicheren Platz auf. Öffnen Sie den Benzintank langsam, um eventuellen Druck abzulassen, der sich im Tankdeckel gebildet hat. Um Brandgefahr vorzubeugen, entfernen Sie sich mindestens 3 Meter vom Auftankbereich, bevor Sie das Gerät anlassen.
- Schalten Sie das Gerät ab, bevor Sie es abstellen.
- Halten Sie das Gerät stets mit beiden Händen fest. Dabei sollen Daumen und Finger die Griffe umschließen.
- Achten Sie darauf, dass Schrauben und Verbindungselemente fest angezogen sind. Bedienen Sie das Gerät nie, wenn es nicht richtig eingestellt, nicht vollständig oder sicher zusammengesetzt ist.
- Achten Sie darauf, dass die Griffe trocken und sauber sind und keinerlei Benzingemisch daran haftet.
- Führen Sie die Fadenspule in der gewünschten Höhe. Vermeiden Sie es kleine Gegenstände (z. B. Steine) mit der Fadenspule zu berühren.
- Bei Mäharbeiten am Hang stehen Sie bitte stets unterhalb des Schneidwerkzeugs. Schneiden oder trimmen Sie niemals an einem glatten, rutschigen Hügel oder Abhang.
- Halten Sie jedes Körperteil und Kleidungsstück fern von der Fadenspule, wenn Sie den Motor anlassen oder laufen lassen. Bevor Sie den Motor anlassen, vergewissern Sie sich, dass die Fadenspule mit keinem Hindernis in Berührung kommt.
- Stellen Sie den Motor immer vor Arbeiten an dem Schneidwerkzeug ab.
- Lagern Sie das Gerät und Zubehör sicher und geschützt vor offenen Flammen und Hitze-/Funkenquellen, wie Gasdurchlauferhitzer, Wäschetrockner, Ölofen oder tragbare Radiatoren, etc..
- Halten Sie die Schutzhaube, die Fadenspule und den Motor bei der Lagerung immer frei von Mährückständen.
- Nur ausreichend geschulte Personen und Erwachsene dürfen das Gerät bedienen, einstellen und warten.
- Sind Sie mit dem Gerät nicht vertraut, üben Sie den Umgang bei nicht laufendem Motor.
- Vor dem Arbeiten das zu mähende Gelände überprüfen, feste Gegenstände wie Metallteile, Flaschen, Steine o.ä. können weggeschleudert werden und ernste Verletzungen beim Benutzer verursachen sowie das Gerät dauerhaft beschädigen. Sollten Sie aus Versehen einen festen Gegenstand mit dem Gerät berühren, schalten Sie den Motor sofort aus und untersuchen Sie das Gerät auf eventuelle Schäden. Benutzen Sie das Gerät niemals, wenn es beschädigt ist oder Mängel aufweist.
- Trimmen und schneiden Sie immer im oberen Drehzahlbereich. Lassen Sie den Motor zu Beginn des Mähens oder während des Trimmens nicht in niedriger Drehzahl laufen.
- Benutzen Sie das Gerät nur zum vorgesehenen Zweck, wie trimmen und Unkraut mähen.
- Halten Sie die Fadenspule niemals über Knie-





höhe, wenn das Gerät in Betrieb ist.

- Benutzen Sie das Gerät nicht, wenn Zuschauer oder Tiere sich in unmittelbarer Nähe befinden. Halten Sie während der Mäharbeiten einen Mindestabstand von 15 Meter zwischen Benutzer und anderen Personen oder Tieren. Bei Abmäharbeiten bis zum Boden halten Sie bitte einen Mindestabstand von 30 Meter.

### Zusätzliche Hinweise

- Keinen anderen Treibstoff verwenden als den in der Bedienungsanleitung empfohlenen. Befolgen Sie stets die Anweisungen im Abschnitt „Treibstoff und Öl“ dieser Anleitung. Verwenden Sie kein Benzin, das nicht richtig mit 2-Takt-Motoröl gemischt ist. Es besteht sonst die Gefahr eines bleibenden Schadens am Motor, wodurch die Garantie des Herstellers entfällt.
- Nicht rauchen, während Sie das Gerät auf-tanken oder betätigen.
- Bedienen Sie das Gerät nicht ohne Auspuff.
- Den Auspuff nicht berühren, weder mit den Händen noch mit dem Körper. Halten Sie das Gerät so, dass Daumen und Finger die Griffe umschließen.
- Das Gerät nicht in unbequemer Stellung, nicht bei fehlendem Gleichgewicht, mit aus-gestreckten Armen oder nur mit einer Hand bedienen. Nehmen Sie zur Bedienung stets beide Hände, und umschließen Sie dabei die Griffe mit Daumen und Fingern.
- Halten Sie die Fadenspule stets auf dem Bo-den, wenn das Gerät in Betrieb ist.
- Benutzen Sie das Gerät nur zum vorgesehe-nen Zweck, wie Rasentrimmen und Mäharbei-ten.
- Benutzen Sie das Gerät nicht über einen längeren Zeitraum, machen Sie regelmäßig Pausen.
- Das Gerät nicht unter Alkohol- oder Drogen-einfluss betätigen.
- Das Gerät nur benutzen, wenn die entspre-chende Schutzhaube installiert und in gutem Zustand ist.
- Jegliche Veränderungen an dem Produkt kön-nen die persönliche Sicherheit gefährden und lassen die Herstellergarantie verfallen.

- Benutzen Sie das Gerät niemals in der Nähe von leicht entflammaren Flüssigkeiten oder Gasen, weder in geschlossenen Räumen noch im Freien. Explosionen und/ oder Brand kön-nen die Folge sein.
- Verwenden Sie keine anderen Schneidwerk-zeuge. Zu Ihrer eigenen Sicherheit verwenden Sie nur Zubehör und Zusatzgeräte, die in der Bedienungsanleitung angegeben oder vom Hersteller empfohlen oder angegeben werden. Der Gebrauch anderer als der in der Bedienungsanleitung empfohlenen Schneid-werkzeuge oder Zubehöre kann eine persö-nliche Verletzungsgefahr für Sie bedeuten.

### Sicherheitsmaßnahmen beim Umgang mit dem Schnittmesser

- Befolgen Sie alle Warnungen und Anweisun-gen zu Betrieb und Schnittmesser-Montage.
- Das Schnittmesser kann ruckartig von Gegen-ständen weggeschleudert werden, wenn es diese nicht Durchschneiden/-mähen kann. Dies kann zu Verletzungen von Armen oder Beinen führen. Halten Sie umstehende Per-sonen und Tiere mindestens 15 Meter in alle Richtungen vom Arbeitsplatz entfernt. Sollte das Gerät auf Fremdkörper treffen, stoppen Sie den Motor sofort und warten Sie bis das Schnittmesser zum Stillstand gekommen ist. Überprüfen Sie das Schnittmesser auf Schä-den. Ersetzen Sie das Schnittmesser immer, wenn es verbogen oder gerissen ist.
- Das Schnittmesser schleudert Gegenstände heftig weg. Dies kann Erblindung oder Ver-letzungen verursachen. Tragen Sie Augen-, Gesichts- und Beinschutz. Entfernen Sie Ge-genstände immer aus dem Arbeitsbereich, bevor Sie das Schnittmesser einsetzen.
- Kontrollieren Sie Ihr Gerät und Anbauten vor jedem Benutzen sorgfältig auf Beschädigun-gen. Benutzen Sie das Gerät nicht, wenn nicht alle Schnittmesseranbauten ordnungsgemäß installiert sind.
- Das Schnittmesser läuft aus, wenn der Gas-hebel losgelassen wurde. Ein auslaufendes Schnittmesser kann Ihnen oder Umstehenden Schnittverletzungen zufügen. Bevor Sie am Schnittmesser irgendwelche Arbeiten vorneh-

men, stellen Sie den Motor ab, und vergewissern Sie sich, dass das Schnittmesser zum Stillstand gekommen ist.

- Gefahrenzone von 15 Metern Durchmesser. Umstehende Personen können Erblindung oder Verletzungen erleiden. Halten Sie in allen Richtungen einen Abstand von 15 Metern zwischen sich und anderen Personen oder Tieren ein.

### 3. Gerätebeschreibung und Lieferumfang

#### 3.1 Gerätebeschreibung (Abb. 1-13)

1. Verbindungsstück Führungsholm
2. Führungsholm
3. Führungshandgriff
4. Starterleine / Startseilzug
5. Choke-Hebel
6. Benzintank
7. Kraftstoffpumpe „Primer“
8. Abdeckung Luffiltergehäuse
9. Ein-/Aus- Schalter
10. Arretierung Gashebel
11. Gashebel
12. Gashebelsperre
13. Fadenspule mit Schnitffaden
14. Schnitffaden-Schutzhaube
15. Schnittmesser-Schutzhaube
16. 4x Schraube M5
17. Tragegurt
- 18a. Schnittmesser (4 Zahn)
- 18b. Schnittmesser (3 Zahn)
19. Halterung Führungshandgriff
20. Griffschraube M8
21. Beilagscheibe Ø 8mm
22. Mitnehmerscheibe
23. Druckplatte
24. Abdeckung Druckplatte
25. Mutter M10 (Linksgewinde)
26. Öl/Benzinmischflasche
27. Zündkerzenschlüssel
28. Gabelschlüssel 8/10mm
29. Sechskantschlüssel 4 mm
30. Sechskantschlüssel 5 mm
31. Schutzkappe für Zündkerzenstecker
32. Griffschraube M6

33. Mutter M6
34. Beilagscheibe Ø 6mm
35. Luffilter
36. Zündkerzenstecker

Schnittmesser (18a/18b) und Fadenspule (13) werden im Text auch als Schneidwerkzeug (als Oberbegriff) zusammengefasst.

#### 3.2 Lieferumfang

- Öffnen Sie die Verpackung und nehmen Sie das Gerät vorsichtig aus der Verpackung.
- Entfernen Sie das Verpackungsmaterial sowie Verpackungs- / und Transportsicherungen (falls vorhanden).
- Überprüfen Sie, ob der Lieferumfang vollständig ist.
- Kontrollieren Sie das Gerät und die Zubehörteile auf Transportschäden.
- Bewahren Sie die Verpackung nach Möglichkeit bis zum Ablauf der Garantiezeit auf.

#### Achtung

**Gerät und Verpackungsmaterial sind kein Kinderspielzeug! Kinder dürfen nicht mit Kunststoffbeuteln, Folien und Kleinteilen spielen! Es besteht Erstickungsgefahr!**

### 4. Bestimmungsgemäße Verwendung

Das Gerät (Verwendung des Schnittmessers) eignet sich zum Schneiden von hohem Gras und leichtem Gestrüpp mit dem 4-Zahn-Messer und für dichtes Gestrüpp und schwache Holzgewächse mit dem 3-Zahn-Messer.

Das Gerät (Verwendung der Fadenspule mit Schnitffaden) eignet sich zum Schneiden von Rasen und leichtem Unkraut. Die Einhaltung der vom Hersteller beigefügten Bedienungsanleitung ist Voraussetzung für den ordnungsgemäßen Gebrauch des Gerätes. Jede andere Verwendung, die in dieser Anleitung nicht ausdrücklich zugelassen wird, kann zu Schäden am Gerät führen und eine ernsthafte Gefahr für den Benutzer darstellen. Beachten Sie unbedingt die Einschränkungen in den Sicherheitshinweisen.

Bitte beachten Sie, dass unsere Geräte bestimmungsgemäß nicht für den gewerblichen, handwerklichen oder industriellen Einsatz konstruiert wurden. Wir übernehmen keine Gewährleistung, wenn das Gerät in Gewerbe-, Handwerks- oder Industriebetrieben, sowie bei gleichzusetzenden Tätigkeiten eingesetzt wird.

Achtung! Wegen körperlicher Gefährdung des Benutzers darf das Gerät nicht zu folgenden Arbeiten eingesetzt werden: zum Reinigen von Gehwegen und als Häcksler zum Zerkleinern von Baum- und Heckenabschnitten. Ferner darf das Gerät nicht zum Einebnen von Bodenerhebungen, wie z.B. Maulwurfshügel verwendet werden. Aus Sicherheitsgründen darf das Gerät nicht als Antriebsaggregat für andere Geräte jeglicher Art verwendet werden.

Das Gerät darf nur nach seiner Bestimmung verwendet werden. Jede weitere darüber hinausgehende Verwendung ist nicht bestimmungsgemäß. Für daraus hervorgerufene Schäden oder Verletzungen aller Art haftet der Benutzer/Bediener und nicht der Hersteller.

## 5. Technische Daten

Motortyp .....	2-Takt-Motor, luftgekühlt, Chromzylinder
Motorleistung (max.) .....	1,35 kW/ 1,8 PS
Hubraum .....	42,7 ccm
Leerlaufdrehzahl Motor.....	3000 min <sup>-1</sup>
Max. Drehzahl Motor	
mit Messer: .....	9000 min <sup>-1</sup>
mit Fadenspule: .....	8400 min <sup>-1</sup>
Max. Schnittgeschwindigkeit	
mit Messer: .....	6800 min <sup>-1</sup>
mit Fadenspule: .....	6300 min <sup>-1</sup>
Zündung.....	Elektronisch
Antrieb .....	Zentrifugalkupplung
Gewicht (leerer Tank) .....	7,5 kg
Schnittkreis-Faden Ø .....	41 cm
Schnittkreis-Messer Ø .....	23 cm
Fadenlänge .....	8,0 m
Faden-Ø .....	2,0 mm
Tankinhalt.....	0,8 l
Zündkerze.....	Champion RCJ6Y
Kraftstoffverbrauch bei	
max. Motorleistung .....	0,6 kg/h
spezifischer Kraftstoffverbrauch	
bei max. Motorleistung .....	446 g/kWh

### Geräusch und Vibration

Schalldruckpegel L <sub>pA</sub> .....	98 dB(A)
Unsicherheit K <sub>pA</sub> .....	1,5 dB
Schalleistungspegel L <sub>WA</sub> .....	110 dB(A)
Unsicherheit K <sub>WA</sub> .....	1,5 dB

### Tragen Sie einen Gehörschutz.

Die Einwirkung von Lärm kann Gehörverlust bewirken.

### Betrieb

Schwingungsemissionswert a<sub>h</sub> = 4,1 m/s<sup>2</sup>  
 Unsicherheit K = 1,5 m/s<sup>2</sup>

### **Beschränken Sie die Geräusentwicklung und Vibration auf ein Minimum!**

- Verwenden Sie nur einwandfreie Geräte.
- Warten und reinigen Sie das Gerät regelmäßig.
- Passen Sie Ihre Arbeitsweise dem Gerät an.
- Überlasten Sie das Gerät nicht.
- Lassen Sie das Gerät gegebenenfalls überprüfen.
- Schalten Sie das Gerät aus, wenn es nicht benutzt wird.
- Tragen Sie Handschuhe.

## **6. Vor Inbetriebnahme**

### **6.1 Montage**

#### **6.1.1 Montage des Führungshandgriffes (Abb. 3a-3c)**

Montieren Sie den Führungshandgriff (3) wie in den Abbildungen 3a-3c dargestellt. Ziehen Sie die Schraube (20) erst dann ganz fest, wenn Sie die optimale Arbeitsposition mit dem Tragegurt (17) eingestellt haben (siehe hierzu auch Abschnitt 6.2). Der Führungshandgriff sollte wie in Abbildung 1 dargestellt ausgerichtet werden. Die Demontage erfolgt umgekehrt.

#### **6.1.2 Montage Führungsholm (Abb. 4a – 4c)**

Schieben Sie die Griffschraube (32) durch die Beilagscheibe (34) in das Verbindungsstück des Führungsholms (1). Verschrauben Sie die Griffschraube locker mit der Mutter (33). Drücken Sie nun den Arretierhebel (A) und schieben Sie vorsichtig den Führungsholm (Abb. 4a/ Pos. 2) in das Verbindungsstück des Führungsholms. Achten Sie dabei darauf, dass die Antriebswellen im Inneren des Führungsholms ineinander gleiten, gegebenenfalls leicht an der Fadenspule (13) / dem Schnittmesser (18a/18b) drehen. Die Nase des Arretierhebels (A) muss in das Loch (B) einrasten. Ziehen Sie nun die Griffschraube, wie in Abbildung 4c an. Zur Demontage braucht die Griffschraube nur gelockert und der Arretierhebel betätigt werden.

#### **6.1.3 Montage der Schnittmesser-Schutzhaube**

Achtung: Beim Arbeiten mit dem Schnittmesser muss die Schnittmesser-Schutzhaube (15) montiert sein.

Die Montage der Schnittmesser-Schutzhaube erfolgt wie in den Abbildungen 5a-5b dargestellt.

#### **6.1.4 Montage/Ersetzen des Schnittmessers**

Die Montage des Schnittmessers (18a/18b) ist auf den Bildern 6a-6g zu sehen. Die Demontage erfolgt in umgekehrter Reihenfolge.

- Mitnehmerscheibe (22), wie in Abbildung 6b, auf die Zahnwelle stecken.
- Schnittmesser (18a/18b) auf der Mitnehmerscheibe arretieren (Abb. 6c)
- Druckplatte (23) über das Gewinde der Zahnwelle stecken (Abb. 6d)
- Abdeckung Druckplatte (24) aufstecken (Abb. 6e)
- Die Bohrung der Mitnehmerscheibe suchen, mit der darunter liegenden Kerbe überein bringen und mit dem mitgelieferten Sechskantschlüssel (29) arretieren, um nun die Mutter (25) mit dem Zündkerzenschlüssel (27) anzuziehen (Abb. 6f/6g). Achtung: Linksgewinde
- Die Schnittmesser (18a/18b) sind bei der Auslieferung mit Plastikschutzkappen versehen. Diese vor dem Gebrauch entfernen und danach wieder anbringen.

#### **6.1.5 Montage der Schnitffaden-Schutzhaube an der Schnittmesser-Schutzhaube**

Achtung: Beim Arbeiten mit dem Schnitffaden muss zusätzlich die Schnitffaden-Schutzhaube (14) montiert werden.

Die Montage der Schnitffaden-Schutzhaube erfolgt wie in den Abbildungen 7a – 7b dargestellt. Achten Sie darauf, dass die Schnitffaden-Schutzhaube richtig einrastet. An der Unterseite der Schutzhaube befindet sich ein Messer (Abb. 7a/ Pos. F) für die automatische Fadenlängengulierung. Dieses ist mit einem Schutz (Abb. 7a/ Pos.G) abgedeckt.

Entfernen Sie diesen Schutz vor Arbeitsbeginn und bringen Sie diesen nach dem Arbeiten wieder an.

### 6.1.6 Montage/ Ersetzen der Fadenspule

Die Montage der Fadenspule (13) ist auf dem Bild 7c zu sehen. Die Demontage erfolgt umgekehrt. Die Fadenspule ist bei der Auslieferung bereits montiert.

Die Bohrung der Mitnehmerscheibe (22) suchen, mit der darunter liegenden Kerbe überein bringen und mit dem mitgelieferten Sechskantschlüssel (29) arretieren, um nun die Fadenspule auf das Gewinde zu schrauben. **Achtung:** Linksgewinde

### 6.2 Einstellen der Schnitthöhe

- Tragegurt (17) wie in Abbildung 8a-8c dargestellt anlegen.
- Das Gerät am Tragegurt einhaken (Abb. 8d).
- Mit den verschiedenen Gurtverstellern am Tragegurt optimale Arbeits- und Schnittposition einstellen (Abb. 8e).
- Um die optimale Tragegurtlänge festzustellen, machen Sie anschließend einige Schwingbewegungen ohne den Motor anzulassen (Abb. 9a).

Der Tragegurt ist mit einem Schnellöffnungsmechanismus ausgestattet. Ziehen Sie, falls es notwendig ist das Gerät schnell abzulegen, an dem roten Gurtstück (Abb. 8f).

**Achtung:** Benutzen Sie den Gurt immer, wenn Sie mit dem Gerät arbeiten. Bringen Sie den Gurt an, sobald Sie den Motor gestartet haben und er im Leerlauf läuft. Schalten Sie den Motor aus, bevor Sie den Tragegurt abnehmen.

### 6.3 Treibstoff und Öl

Empfohlene Treibstoffe

Benutzen Sie nur ein Gemisch aus bleifreiem Benzin und speziellem 2-Takt-Motoröl. Mischen Sie das Treibstoffgemisch nach der Treibstoff-Mischtabelle an.

**Achtung:** Verwenden Sie kein Treibstoffgemisch, welches mehr als 90 Tage gelagert wurde.

**Achtung:** Verwenden Sie kein 2-Takt-Öl das ein Mischverhältnis von 100:1 empfiehlt. Bei Moto-

renschäden auf Grund ungenügender Schmierung entfällt die Motorgarantie des Herstellers.

**Achtung:** Verwenden Sie zum Transport und zur Lagerung von Kraftstoff nur dafür vorgesehene und zugelassene Behälter.

Geben Sie jeweils die richtige Menge Benzin und 2-Takt-Öl in die beiliegende Mischflasche (siehe aufgedruckte Skala). Schütteln Sie anschließend den Behälter gut durch.

### 6.4 Treibstoff-Mischtabelle

Mischverfahren: 40 Teile Benzin auf 1 Teil Öl

Benzin	2-Takt-Öl
1 Liter	25 ml
5 Liter	125 ml

## 7. Bedienung

Beachten Sie bitte die gesetzlichen Bestimmungen zur Lärmschutzverordnung, die örtlich unterschiedlich sein können.

Prüfen Sie das Gerät vor jeder Inbetriebnahme auf:


- Dichtheit des Treibstoffsystems.
- Einwandfreien Zustand und Vollständigkeit der Schutzeinrichtungen und der Schnittvorrichtung.
- Festen Sitz sämtlicher Verschraubungen.
- Leichtgängigkeit aller beweglichen Teile.

### 7.1 Starten bei kaltem Motor

Füllen Sie den Tank mit Benzin/Öl-Gemisch. Siehe auch "Treibstoff und Öl".

1. Gerät auf eine harte, ebene Fläche stellen.
2. Kraftstoffpumpe (Primer) (Abb. 1/Pos. 7) 10x drücken.
3. Ein-/ Aus-Schalter (Abb. 1/Pos. 9) auf „I“ schalten.
4. Gashebel (Abb. 1/Pos. 11) feststellen. Hierzu Gashebelsperre (Abb. 1/Pos. 12) und anschließend Gashebel (Abb. 1/Pos. 11) betätigen und durch gleichzeitiges Drücken der Arretierung (Abb. 1/Pos. 10) den Gashebel feststellen.



5. Choke-Hebel (Abb. 1/Pos. 5) auf „“ stellen.
6. Das Gerät gut festhalten und die Starterleine (Abb. 1/Pos. 4) bis zum ersten Widerstand herausziehen. Jetzt den Startseilzug 4x rasch anziehen. Das Gerät sollte starten.

**Achtung:** Die Starterleine nicht zurückschleudern lassen. Dies kann zu Beschädigungen führen.

**Achtung:** Durch den festgestellten Gashebel beginnt das Schneidwerkzeug bei startendem Motor zu arbeiten.

Anschließend Gashebel durch einfaches Betätigen entriegeln. Gleichzeitig wird durch das Betätigen des Gashebels der Choke-Hebel entriegelt. (Der Motor kehrt in den Leerlauf zurück).

7. Sollte der Motor nicht starten, wiederholen Sie die Schritte 4-6.  
Zur Beachtung: Springt der Motor auch nach mehreren Versuchen nicht an, lesen Sie den Abschnitt „Fehlerbehebung“.  
Zur Beachtung: Ziehen Sie den Startseilzug stets gerade heraus. Wird dieser in einem Winkel herausgezogen, entsteht Reibung an der Öse. Durch diese Reibung wird die Starterleine durchgescheuert und nutzt sich schneller ab. Halten Sie stets den Startseilzug, wenn sich die Starterleine wieder einzieht. Lassen Sie die Starterleine nie aus dem ausgezogenen Zustand zurückschnellen.

## 7.2 Starten bei warmem Motor

(Das Gerät stand für weniger als 15-20 Minuten still)

1. Gerät auf harte, ebene Fläche stellen.
2. Ein-/Aus-Schalter auf (Abb. 1 / Pos. 9) „I“ schalten.
3. Gashebel (Abb. 1 / Pos. 11) feststellen (analog „Starten bei kaltem Motor“).
4. Gerät gut festhalten und die Starterleine bis zum ersten Widerstand herausziehen. Jetzt die Starterleine rasch anziehen. Das Gerät sollte nach 1-2 Zügen starten. Falls das Gerät nach 6 Zügen immer noch nicht startet, wiederholen Sie die Schritte 1-7 unter „kalten Motor“ starten.

## 7.3 Motor abstellen

### Not-Aus Schrittfolge:

Falls es notwendig ist, das Gerät sofort anzuhalten, stellen Sie hierzu den Ein-/Aus-Schalter (9) auf „Stop“ bzw. „0“

### Normale Schrittfolge:

Lassen Sie den Gashebel (11) los und warten Sie bis der Motor in Leerlaufgeschwindigkeit übergegangen ist. Stellen Sie dann den Ein-/ Aus-Schalter (9) auf „Stop“ bzw. „0“.

## 7.4 Arbeitshinweise

Trainieren Sie vor Einsatz des Gerätes sämtliche Arbeitstechniken bei abgestelltem Motor.

**Warnung:** Seien Sie überaus vorsichtig bei Abmäharbeiten. Halten Sie bei solchen Arbeiten einen Abstand von 30 Metern zwischen sich und anderen Personen oder Tieren ein.

### Verlängerung des Schnitfadens

Warnung! Benutzen Sie keinen Metalldraht oder kunststoffumhüllten Metalldraht irgendeiner Art in der Fadenspule. Dies kann zu schweren Verletzungen beim Benutzer führen.

Zur Verlängerung des Schnitfadens (13) lassen Sie den Motor auf Vollgas laufen und tippen Sie die Fadenspule auf den Boden. Der Faden wird automatisch verlängert. Das Messer an der Schutzhaube kürzt den Faden auf die zulässige Länge (Abb. 9b).

**Vorsicht:** Entfernen Sie regelmäßig alle Rasen- und Unkrautreste um ein Überhitzen des Gerätes zu vermeiden.

Rasen-/ Gras-/ Unkrautreste verfangen sich unterhalb der Schutzhaube (Abb. 9c), dies verhindert eine ausreichende Kühlung des Gerätes. Entfernen Sie die Reste vorsichtig mit einem Schraubenzieher oder dergleichen.

### Verschiedene Schnittverfahren

Ist das Gerät richtig montiert, schneidet es Unkraut und hohes Gras an schwer zugänglichen Stellen, wie z.B. entlang von Zäunen, Mauern und Fundamenten sowie um Bäume herum. Es lässt sich auch für „Abmäharbeiten“ einsetzen, um Vegetation zur besseren Vorbereitung eines Gartens oder zum Ausputzen eines bestimmten Bereiches bodennah zu entfernen.

**Zur Beachtung:** Auch bei sorgfältiger Anwendung hat das Schneiden an Fundamenten, Stein- oder Betonmauern usw. eine über der normal liegende Abnutzung des Fadens zur Folge.

### Trimmen/ Mähen (mit Fadenspule/Schnittmesser)

Schwingen Sie das Gerät in sichelartiger Bewegung von Seite zu Seite. Halten Sie das Schneidwerkzeug stets parallel zum Boden. Überprüfen Sie das Gelände und legen Sie die gewünschte Schnitthöhe fest. Führen und halten Sie das Schneidwerkzeug in der gewünschten Höhe, zwecks gleichmässigem Schnitt (Abb. 9d).

### Niedriges Trimmen (mit Fadenspule)

Halten Sie das Gerät mit einer leichten Neigung genau vor sich, so dass sich die Unterseite der Fadenspule über dem Boden befindet und der Faden die richtige Schnittstelle trifft. Schneiden Sie immer von sich weg. Ziehen Sie das Gerät nicht zu sich hin.

### Schneiden an Zaun/ Fundament (mit Fadenspule)

Nähern Sie sich langsam Maschendraht-zäunen, Lattenzäunen, Natursteinmauern und Fundamenten, um nah daran zu schneiden, ohne jedoch mit dem Faden gegen das Hindernis zu schlagen. Kommt der Faden z.B. mit Steinen, Steinmauern oder Fundamenten in Berührung, nutzt er sich ab oder franst aus. Schlägt der Faden gegen Zaungeflecht, bricht er ab.

### Trimmen um Bäume (mit Fadenspule)

Trimmen Sie um Baumstämme, nähern Sie sich langsam, damit der Faden die Rinde nicht berührt. Gehen Sie um den Baum herum und achten Sie darauf den Baum nicht zu beschädigen. Nähern Sie sich Gras oder Unkraut mit der Spitze des Fadens, und kippen Sie die Fadenspule leicht nach vorn.

### Abmähen (mit Fadenspule)

Beim Abmähen erfassen Sie die gesamte Vegetation bis zum Grund. Dazu neigen Sie die Fadenspule im 30 Grad Winkel nach rechts. Stellen Sie den Handgriff in die gewünschte Position (Abb. 9e).

**Achtung!** Erhöhte Verletzungsgefahr des Benutzers, der Zuschauer und Tiere, sowie die Gefahr der Sachbeschädigung durch weggeschleuderte Objekte (z.B. Steine).

**Achtung!** Entfernen Sie mit dem Gerät keine Gegenstände von Fußwegen usw.!

Die Benzinmotor-Sense ist ein kraftvolles Gerät und kleine Steine oder andere Gegenstände können 15 Meter und mehr weggeschleudert werden und zu Verletzungen oder Beschädigungen an Autos, Häusern und Fenstern führen.

### Sägen

Das Gerät ist nicht zum Sägen geeignet.

### Verklemmen

Sollte das Schneidwerkzeug wegen zu dichter Vegetation blockieren stellen Sie unverzüglich den Motor ab. Befreien Sie das Gerät von Gras und Gestrüpp, bevor Sie es erneut in Betrieb nehmen.

### Vermeiden von Rückschlag

Beim Arbeiten mit dem Schnittmesser besteht die Gefahr des Rückschlages, wenn dieses auf feste Hindernisse (Baumstamm, Ast, Baumstumpf, Stein oder dergleichen) trifft. Das Gerät wird dabei gegen die Drehrichtung des Schneidwerkzeugs zurückgeschleudert. Dies kann zum Verlust der Kontrolle über das Gerät führen. Benutzen Sie das Schnittmesser nicht in der Nähe von Zäunen, Metallpfosten, Grenzsteinen oder Fundamenten. Zum Schneiden von schwachem Holzgewächs

positionieren Sie das Gerät wie in Abb. 9f dargestellt, um Rückschläge zu vermeiden.

## 8. Wartung und Ersatzteilbestellung

Schalten Sie das Gerät vor Wartungsarbeiten immer aus und ziehen Sie den Zündkerzenstecker (36) ab.

### 8.1 Ersetzen von Fadenspule/Schnittfaden

1. Die Fadenspule (13), wie in Abschnitt 6.1.6 beschrieben, demontieren. Die Spule zusammendrücken (Abb. 12a) und eine Gehäusehälfte abnehmen (Abb. 12b).
2. Spulenteller (K) aus dem Fadenspulengehäuse entnehmen (Abb. 12c).
3. Evtl. noch vorhandenen Schnittfaden entfernen.
4. Neuen Schnittfaden in der Mitte zusammenlegen und die entstandene Schlaufe in die Ausparung des Spulentellers einhängen. (Abb. 12d)
5. Faden unter Spannung gegen den Uhrzeigersinn aufwickeln. Der Spulenteiler trennt dabei die beiden Hälften des Schnittfadens. (Abb. 12e)
6. Die letzten 15 cm der beiden Fadenenden in die gegenüberliegenden Fadenhalter des Spulentellers einhaken. (Abb. 12f)
7. Die beiden Fadenenden durch die Metallösen im Fadenspulen-Gehäuse führen (Abb. 12c).
8. Spulenteller in das Fadenspulen-Gehäuse drücken (Abb. 12b).
9. Kurz und kräftig an beiden Fadenenden ziehen um diese aus den Fadenhaltern zu lösen.
10. Fügen Sie die Gehäusehälften wieder zusammen.
11. Überschüssigen Faden auf etwa 13 cm zurückschneiden. Das verringert die Belastung auf den Motor während des Startens und Aufwärmens.
12. Fadenspule wieder montieren (siehe Abschnitt 6.1.6). Wird die komplette Fadenspule erneuert sind, die Punkte 3-6 zu überspringen.

### 8.2 Wartung des Luftfilters

Verschmutzte Luftfilter verringern die Motorleistung durch zu geringe Luftzufuhr zum Vergaser. Regelmäßige Kontrolle ist daher unerlässlich. Der Luftfilter (35) sollte alle 25 Betriebsstunden kontrolliert werden und bei Bedarf gereinigt werden. Bei sehr staubiger Luft ist der Luftfilter häufiger zu überprüfen.

1. Entfernen Sie die Abdeckung des Luftfiltergehäuses (Abb. 10a / Pos. 8)
2. Entnehmen Sie den Luftfilter (Abb. 10b/10c)
3. Reinigen Sie den Luftfilter durch Ausklopfen oder Ausblasen (mit Druckluft).
4. Der Zusammenbau erfolgt in umgekehrter Reihenfolge.

**Achtung:** Luftfilter nie mit Benzin oder brennbaren Lösungsmitteln reinigen.

### 8.3 Wartung der Zündkerze

Elektrodenabstand = 0,6 mm (Abstand zwischen den Elektroden, zwischen welchen der Zündfunke erzeugt wird). Ziehen Sie die Zündkerze mit 12 bis 15 Nm mit einem Drehmomentschlüssel (erhältlich im Fachhandel) an. Überprüfen Sie die Zündkerze erstmals nach 10 Betriebsstunden auf Verschmutzung und reinigen Sie diese gegebenenfalls mit einer Kupferdrahtbürste.

Danach die Zündkerze alle 50 Betriebsstunden warten.

1. Demontieren Sie die Schutzkappe (Abb. 10c/Pos. 31) mit einem Schraubendreher.
2. Ziehen Sie den Zündkerzenstecker (Abb. 11a/Pos. 36) ab.
3. Entfernen Sie die Zündkerze (Abb. 11b) mit dem beiliegenden Zündkerzenschlüssel (27).
4. Der Zusammenbau erfolgt in umgekehrter Reihenfolge.

### 8.4 Schleifen des Schutzhaubennessers

Das Schutzhaubennesser (Abb. 7a / Pos. F) kann mit der Zeit stumpf werden. Sollten Sie dies feststellen, lösen Sie die 2 Schrauben mit denen das Schutzhaubennesser an der Schutzhaube befestigt ist. Befestigen Sie das Messer in einem Schraubstock. Schleifen Sie das Messer mit einer Flachfeile und achten Sie darauf, den Winkel der Schnittkante beizubehalten. Feilen Sie nur in eine Richtung.



## 8.5 Vergaser-Einstellungen

**Achtung:** Einstellungen am Vergaser dürfen nur durch einen autorisierten Kundendienst vorgenommen werden.

Zu allen Arbeiten am Vergaser muss zuerst die Abdeckung des Luffiltergehäuses, wie in Abbildung 10a und 10b gezeigt, demontiert werden.

### Einstellen des Gasseilzuges:

Sollte die Maximaldrehzahl des Geräts mit der Zeit nicht mehr erreicht werden und sämtliche andere Ursachen nach Abschnitt „Fehlerbehebung“ ausgeschlossen sein, könnte eine Einstellung des Gasseilzuges erforderlich sein.

Überprüfen Sie hierfür zunächst, ob der Vergaser bei voll durchgedrücktem Gashebel ganz öffnet. Dies ist der Fall, wenn der Vergaserschieber (Abb. 13a/Pos. F) bei voll betätigtem Gas vollständig geöffnet ist. Abbildung 13a zeigt die korrekte Einstellung. Sollte der Vergaserschieber nicht vollständig geöffnet sein, ist eine Nachjustierung notwendig.

Um den Gasseilzug nachzustellen sind folgende Schritte erforderlich:

- Lösen Sie die Kontermutter (Abb. 13b/Pos. C) einige Umdrehungen.
- Drehen Sie die Verstellerschraube (Abb. 13b/Pos. D) heraus, bis der Vergaserschieber bei voll betätigtem Gas, wie in Abbildung 13a gezeigt, vollständig geöffnet ist.
- Ziehen Sie die Kontermutter wieder fest.

### Einstellen des Standgases:

**Achtung!** Standgas bei warmem Betriebszustand einstellen.

Sollte das Gerät bei nicht betätigtem Gashebel ausgehen und sämtliche andere Ursachen nach Abschnitt „Fehlerbehebung“ ausgeschlossen sein, ist ein Nachjustieren des Standgases notwendig. Drehen Sie hierzu die Standgasschraube (Abb. 13b/Pos. E) im Uhrzeigersinn bis das Gerät im Leerlauf sicher läuft. Ist das Standgas so hoch, dass sich das Schneidwerkzeug mitdreht, muss dies durch Linksdrehen der Standgasschraube soweit verringert werden, bis sich das Schneidwerkzeug nicht mehr mitdreht.

## 8.6 Fetten des Getriebes

Ergänzen Sie alle 20 Betriebsstunden etwas Getriebefließfett (ca. 10 g). Öffnen Sie hierzu die Schraube H (Abb. 7c).

## 8.7 Umweltschutz

Verschmutztes Wartungsmaterial und Betriebsstoffe in einer dafür vorgesehenen Sammelstelle abgeben.

Verpackungsmaterial, Metall und Kunststoffe dem Recycling zuführen.

## 8.8 Ersatzteilbestellung

Bei der Ersatzteilbestellung sollten folgende Angaben gemacht werden:

- Typ des Gerätes
- Artikelnummer des Gerätes
- Ident-Nummer des Gerätes

Aktuelle Preise und Infos finden Sie unter [www.isc-gmbh.info](http://www.isc-gmbh.info)

## 9. Lagerung und Transport

### 9.1 Lagerung

**Vorsicht:** Verstauen Sie das Gerät nie länger als 30 Tage, ohne folgende Schritte zu durchlaufen.

#### Verstauen des Gerätes

Wenn Sie das Gerät länger als 30 Tage verstauen, muss es hierfür hergerichtet werden. Andernfalls verdunstet der im Vergaser befindliche, restliche Treibstoff und lässt einen gummiartigen Bodensatz zurück. Dies könnte den Start erschweren und teure Reparaturarbeiten zur Folge haben.

1. Nehmen Sie den Tankdeckel langsam ab, um eventuellen Druck im Tank abzulassen. Entleeren Sie vorsichtig den Tank (6).
2. Starten Sie den Motor und lassen Sie ihn laufen, bis dieser stoppt, um den Treibstoff aus dem Vergaser zu entfernen.
3. Lassen Sie den Motor abkühlen (ca. 5 Minuten).
4. Entfernen Sie die Zündkerze (siehe 8.3)
5. Geben Sie 1 Teelöffel sauberes 2-Takt-Öl in die Verbrennungskammer. Ziehen Sie mehrere Male langsam an der Starterleine, um die internen Komponenten mit Öl zu benetzen.



Setzen Sie die Zündkerze wieder ein.

**Hinweis:** Verstauben Sie das Gerät an einem trockenen Ort und weit entfernt von möglichen Entzündungsquellen, z.B. Ofen, Heißwasserboiler mit Gas, Gastrockner, etc.

### Erneutes Inbetriebnehmen

1. Entfernen Sie die Zündkerze (siehe 8.3).
2. Ziehen Sie rasch an der Starterleine, um überschüssiges Öl aus der Verbrennungskammer zu entfernen.
3. Reinigen Sie die Zündkerze und achten Sie auf den richtigen Elektrodenabstand an der Zündkerze; oder setzen Sie eine neue Zündkerze mit richtigem Elektrodenabstand ein.
4. Bereiten Sie das Gerät für den Betrieb vor.
5. Füllen Sie den Tank mit der richtigen Treibstoff-/ Ölmischung auf. Siehe Abschnitt „Treibstoff und Öl“.

### 9.2 Transport

Wenn Sie das Gerät transportieren möchten, entleeren Sie den Benzintank wie im Abschnitt „Lagerung“ erklärt. Reinigen Sie das Gerät mit einer Bürste oder einem Handfeger von grobem Schmutz. Demontieren Sie den Führungshandgriff und Führungsholm wie unter Abschnitt 6.1.1 und 6.1.2 erklärt.

## 10. Reinigung

Schalten Sie das Gerät vor Reinigungsarbeiten immer aus und ziehen den Zündkerzenstecker ab.

- Nach jedem Gebrauch sollte das Gerät gründlich gereinigt werden. Besonders das Schneidwerkzeug und die Schutzhauben.
- Halten Sie Luftschlitze und Motorengehäuse so staub- und schmutzfrei wie möglich. Reiben Sie das Gerät mit einem sauberen Tuch ab oder blasen Sie es mit Druckluft bei niedrigem Druck aus.
- Am leichtesten entfernen Sie Schmutz und Gras gleich nach dem Mähen.
- Reinigen Sie das Gerät regelmäßig mit einem feuchten Tuch und etwas Schmierseife. Verwenden Sie keine Reinigungs- oder Lösungs-

mittel; diese könnten die Kunststoffteile des Gerätes angreifen. Achten Sie darauf, dass kein Wasser in das Geräteinnere gelangen kann.

## 11. Entsorgung und Wiederverwertung

Das Gerät befindet sich in einer Verpackung um Transportschäden zu verhindern. Diese Verpackung ist Rohstoff und ist somit wieder verwendbar oder kann dem Rohstoffkreislauf zurückgeführt werden. Das Gerät und dessen Zubehör bestehen aus verschiedenen Materialien, wie z.B. Metall und Kunststoffe. Führen Sie defekte Bauteile der Sondermüllentsorgung zu. Treibstoff und Öle dürfen nur bei entsprechenden Sondermüllstellen entsorgt werden. Fragen Sie im Fachgeschäft oder in der Gemeindeverwaltung nach!

## 12. Fehlersuchplan

Störung	Mögliche Ursache	Störungsbehebung
Das Gerät springt nicht an.	<ul style="list-style-type: none"> <li>- Fehlerhaftes Vorgehen beim Starten.</li> <li>- Verrußte oder feuchte Zündkerze</li> <li>- Falsche Vergasereinstellung</li> </ul>	<ul style="list-style-type: none"> <li>- Folgen Sie den Anweisungen zum Starten</li> <li>- Zündkerze reinigen oder durch neue ersetzen.</li> <li>- Autorisierten Kundendienst aufsuchen, oder das Gerät an die ISC-GmbH senden.</li> </ul>
Das Gerät springt an, hat aber nicht die volle Leistung.	<ul style="list-style-type: none"> <li>- Falsche Einstellung des Chokehebels (5)</li> <li>- Verschmutzter Luftfilter (35)</li> <li>- Falsche Vergasereinstellung</li> </ul>	<ul style="list-style-type: none"> <li>- Chokehebel auf „<math>\uparrow</math>“ stellen.</li> <li>- Luftfilter reinigen</li> <li>- Autorisierten Kundendienst aufsuchen, oder das Gerät an die ISC-GmbH senden.</li> </ul>
Der Motor läuft unregelmäßig	<ul style="list-style-type: none"> <li>- Falscher Elektrodenabstand der Zündkerze</li> <li>- Falsche Vergasereinstellung</li> </ul>	<ul style="list-style-type: none"> <li>- Zündkerze reinigen und Elektrodenabstand einstellen oder neue Zündkerze einsetzen.</li> <li>- Autorisierten Kundendienst aufsuchen, oder das Gerät an die ISC-GmbH senden.</li> </ul>
Motor raucht übermäßig	<ul style="list-style-type: none"> <li>- Falsche Treibstoffmischung</li> <li>- Falsche Vergasereinstellung</li> </ul>	<ul style="list-style-type: none"> <li>- Richtige Treibstoffmischung verwenden (siehe Treibstoff-Mischtabelle)</li> <li>- Autorisierten Kundendienst aufsuchen, oder das Gerät an die ISC-GmbH senden.</li> </ul>

### 13. Konformitätserklärung

**Einhell Germany AG · Wiesenweg 22 · D-94405 Landau/Isar**



#### Konformitätserklärung

**D** erklärt folgende Konformität gemäß EU-Richtlinie und Normen für Artikel  
**GB** explains the following conformity according to EU directives and norms for the following product  
**F** déclare la conformité suivante selon la directive CE et les normes concernant l'article  
**I** dichiara la seguente conformità secondo la direttiva UE e le norme per l'articolo  
**NL** verklaart de volgende overeenstemming conform EU richtlijn en normen voor het product  
**E** declara la siguiente conformidad a tenor de la directiva y normas de la UE para el artículo  
**P** declara a seguinte conformidade, de acordo com a directiva CE e normas para o artigo  
**DK** attesterer følgende overensstemmelse i medfør af EU-direktiv samt standarder for artikel  
**S** förklarar följande överensstämmelse enl. EU-direktiv och standarder för artikeln  
**FIN** vakuuttaa, että tuote täyttää EU-direktiivin ja standardien vaatimukset  
**EE** tõendab toote vastavust EL direktiivile ja standarditele  
**CZ** vydává následující prohlášení o shodě podle směrnice EU a norem pro výrobek  
**SLO** potrjuje sledečo skladnost s smernico EU in standardi za izdelek  
**SK** vydáva nasledujúce prehlásenie o zhode podľa smernice EU a noriem pre výrobok  
**H** a cikkekhez az EU-irányvonal és Normák szerint a következő konformitást jelenti ki

**PL** deklaruje zgodność wymienionego poniżej artykułu z następującymi normami na podstawie dyrektywy WE.  
**BG** декларира съответното съответствие съгласно Директива на ЕС и норми за артикул  
**LV** paskaidro šādu atbilstību ES direktīvai un standartiem  
**LT** apibūdina šį atitikimą EU reikalavimams ir prekės normoms  
**RO** declară următoarea conformitate conform directivei UE și normelor pentru articolul  
**GR** δηλώνει την ακόλουθη συμμόρφωση σύμφωνα με την Οδηγία ΕΚ και τα πρότυπα για το προϊόν  
**HR** potvrđuje sljedeću uskladenost prema smjernicama EU i normama za artikl  
**Izjava o sukladnosti za ovaj proizvod dostupna je na internet stranici www.lidl.hr.**  
**BIH** potvrđuje sljedeću uskladenost prema smjernicama EU i normama za artikl  
**RS** potvrđuje sledeću uskladenost prema smernicama EZ i normama za artikal  
**RUS** следующим удостоверяется, что следующие продукты соответствуют директивам и нормам ЕС  
**UKR** проголошує про зазначену нижче відповідність виробу директивам та стандартам ЄС на виріб  
**MK** ja izjavuva slednata soobrznost согласно EU-direktivata i normite za artikli  
**TR** Ürünü ile ilgili AB direktifleri ve normlan gereğince aşağıda açıklanan uygunluğu belirtir  
**N** erklærer følgende samsvar i henhold til EU-direktivet og standarder for artikkel  
**IS** Lýsir uppfyllingu EU-reglna og annarra staðla vöru

#### Benzin-Sense FBS 43 A1 (Florabest)

- |                                                 |                                                                                                                                                                         |
|-------------------------------------------------|-------------------------------------------------------------------------------------------------------------------------------------------------------------------------|
| <input type="checkbox"/> 87/404/EC_2009/105/EC  | <input checked="" type="checkbox"/> 2006/42/EC                                                                                                                          |
| <input type="checkbox"/> 2005/32/EC_2009/125/EC | <input type="checkbox"/> Annex IV<br>Notified Body:<br>Notified Body No.:<br>Reg. No.:                                                                                  |
| <input type="checkbox"/> 2006/95/EC             |                                                                                                                                                                         |
| <input type="checkbox"/> 2006/28/EC             | <input checked="" type="checkbox"/> 2000/14/EC_2005/88/EC                                                                                                               |
| <input checked="" type="checkbox"/> 2004/108/EC | <input checked="" type="checkbox"/> Annex V                                                                                                                             |
| <input type="checkbox"/> 2004/22/EC             | <input type="checkbox"/> Annex VI<br>Noise measured: $L_{WA} = 104,7$ dB (A); guaranteed $L_{WA} = 110$ dB (A)<br>$P = 1,35$ KW; $L/\varnothing =$ cm<br>Notified Body: |
| <input type="checkbox"/> 1999/5/EC              |                                                                                                                                                                         |
| <input type="checkbox"/> 97/23/EC               | <input checked="" type="checkbox"/> 2006/28/EC<br>Emission No.: e11*97/68SA*2004/26*1181*00                                                                             |
| <input type="checkbox"/> 90/396/EC_2009/142/EC  |                                                                                                                                                                         |
| <input type="checkbox"/> 89/686/EC_96/58/EC     |                                                                                                                                                                         |
| <input type="checkbox"/> 2011/65/EC             |                                                                                                                                                                         |

Standard references: EN ISO 11806; EN ISO 14982

Landau/Isar, den 14.02.2012

Weichselgartner/General-Manager

Frank/Product-Management

First CE: 10  
 Art.No.: 34.019.93 I.No.: 11011  
 Subject to change without notice

Archive-File/Record: NAPR005246  
 Documents registrar: Robert Mayn  
 Wiesenweg 22, D-94405 Landau/Isar

## 14. Garantieurkunde

Sehr geehrte Kundin, sehr geehrter Kunde,  
unsere Produkte unterliegen einer strengen Qualitätskontrolle. Sollte dieses Gerät dennoch einmal nicht einwandfrei funktionieren, bedauern wir dies sehr und bitten Sie, sich an unseren Servicedienst unter der auf dieser Garantiekarte angegebenen Adresse zu wenden. Gern stehen wir Ihnen auch telefonisch über die unten angegebene Servicenummer zur Verfügung. Für die Geltendmachung von Garantieansprüchen gilt folgendes:

1. Diese Garantiebedingungen regeln zusätzliche Garantieleistungen. Ihre gesetzlichen Gewährleistungsansprüche werden von dieser Garantie nicht berührt. Unsere Garantieleistung ist für Sie kostenlos.
2. Die Garantieleistung erstreckt sich ausschließlich auf Mängel, die auf Material- oder Herstellungsfehler zurückzuführen sind und ist auf die Behebung dieser Mängel bzw. den Austausch des Gerätes beschränkt. Bitte beachten Sie, dass unsere Geräte bestimmungsgemäß nicht für den gewerblichen, handwerklichen oder industriellen Einsatz konstruiert wurden. Ein Garantievertrag kommt daher nicht zustande, wenn das Gerät in Gewerbe-, Handwerks- oder Industriebetrieben sowie bei gleichzusetzenden Tätigkeiten eingesetzt wird. Von unserer Garantie sind ferner Ersatzleistungen für Transportschäden, Schäden durch Nichtbeachtung der Montageanleitung oder aufgrund nicht fachgerechter Installation, Nichtbeachtung der Gebrauchsanleitung (wie durch z.B. Anschluss an eine falsche Netzspannung oder Stromart), missbräuchliche oder unsachgemäße Anwendungen (wie z.B. Überlastung des Gerätes oder Verwendung von nicht zugelassenen Einsatzwerkzeugen oder Zubehör), Nichtbeachtung der Wartungs- und Sicherheitsbestimmungen, Eindringen von Fremdkörpern in das Gerät (wie z.B. Sand, Steine oder Staub), Gewaltanwendung oder Fremdeinwirkungen (wie z. B. Schäden durch Herunterfallen) sowie durch verwendungsgemäßen, üblichen Verschleiß ausgeschlossen. Dies gilt insbesondere für Akkus, auf die wir dennoch eine Garantiezeit von 12 Monaten gewähren. Der Garantieanspruch erlischt, wenn an dem Gerät bereits Eingriffe vorgenommen wurden.
3. Die Garantiezeit beträgt 3 Jahre und beginnt mit dem Kaufdatum des Gerätes. Garantieansprüche sind vor Ablauf der Garantiezeit innerhalb von zwei Wochen, nachdem Sie den Defekt erkannt haben, geltend zu machen. Die Geltendmachung von Garantieansprüchen nach Ablauf der Garantiezeit ist ausgeschlossen. Die Reparatur oder der Austausch des Gerätes führt weder zu einer Verlängerung der Garantiezeit noch wird eine neue Garantiezeit durch diese Leistung für das Gerät oder für etwaige eingebaute Ersatzteile in Gang gesetzt. Dies gilt auch bei Einsatz eines Vor-Ort-Services.
4. Für die Geltendmachung Ihres Garantieanspruches übersenden Sie bitte das defekte Gerät portofrei an die unten angegebene Adresse. Fügen Sie den Verkaufsbeleg im Original oder einen sonstigen datierten Kaufnachweis bei. Bitte bewahren Sie deshalb den Kassenbon als Nachweis gut auf! Beschreiben Sie uns bitte den Reklamationsgrund möglichst genau. Ist der Defekt des Gerätes von unserer Garantieleistung erfasst, erhalten Sie umgehend ein repariertes oder neues Gerät zurück.

Selbstverständlich beheben wir gegen Erstattung der Kosten auch gerne Defekte am Gerät, die vom Garantiumfang nicht oder nicht mehr erfasst sind. Dazu senden Sie das Gerät bitte an unsere Serviceadresse.

**iSC GmbH • Eschenstraße 6 • 94405 Landau/Isar (Deutschland)**

Telefon: +49 [0] 180 5 687 484 • Telefax +49 [0] 180 5 687 485

(Festnetzpreis: 14 ct/min, Mobilfunkpreise maximal: 42 ct/min)

Außerhalb Deutschlands fallen stattdessen Gebühren für ein reguläres Gespräch ins dt. Festnetz an.

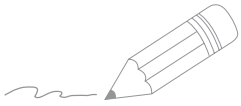
E-Mail: [lidl@isc-gmbh.info](mailto:lidl@isc-gmbh.info) • Internet: [www.isc-gmbh.info](http://www.isc-gmbh.info)

IAN 72317



Handwriting practice lines consisting of 20 horizontal lines. The top two lines are slightly indented from the left margin, and the rest of the lines are evenly spaced across the page.





Handwriting practice lines consisting of 20 horizontal lines. The first two lines are pre-filled with a pencil icon and a wavy line, respectively. The remaining 18 lines are blank.





Handwriting practice lines consisting of 20 horizontal lines. The top two lines are slightly wider than the others, and a pencil icon is positioned at the start of the first line.







Handwriting practice lines consisting of 20 horizontal lines. The first two lines are pre-filled with a pencil icon and a wavy line, respectively. The remaining 18 lines are blank.





CE

IAN: 72317 FBS 43 A1

**Einhell Germany AG**

Wiesenweg 22

D-94405 Landau/Isar

Last Information Update · Stanje informacij · Stav informací  
Stav informácií · Stan informacjij · Stand der Informationen:  
03/2012 · Ident.-No.: 34.019.93 032012 - 4

IAN 72317

4