

GB Operating Instructions
Metal Cutting-Off Machine

Einhell[®]

7



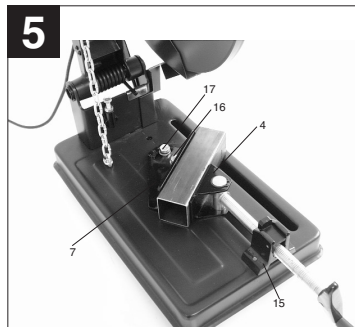
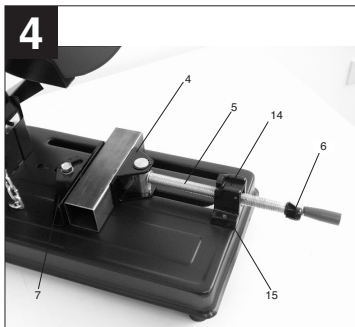
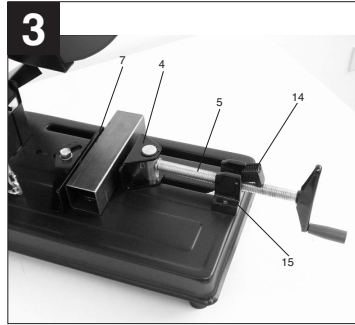
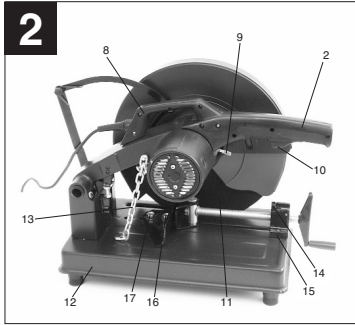
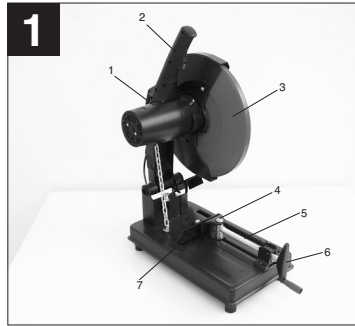
Art.-Nr.: 45.031.21

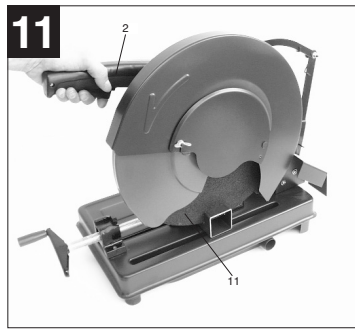
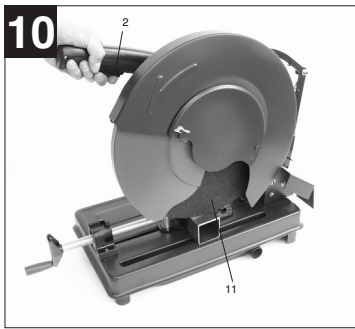
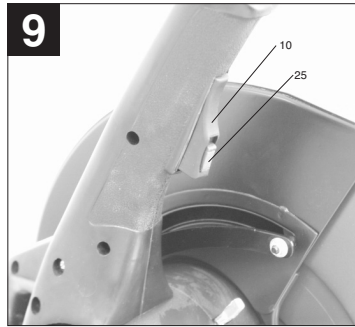
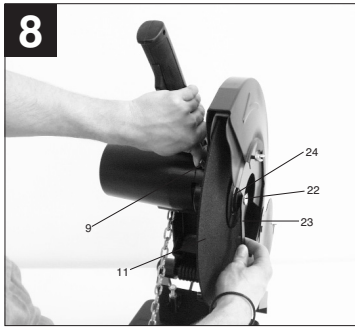
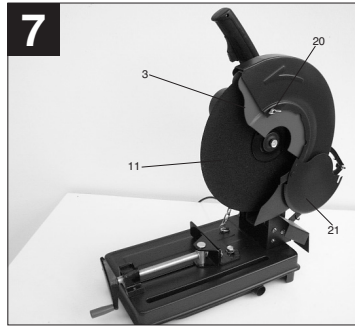
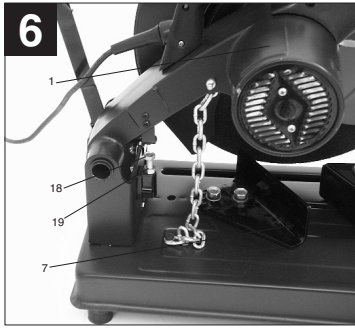
I.-Nr.: 01013

MKS 355/1



Ⓢ Important: Read and note the operating instructions and safety regulations before using!





GB**1. Layout (Fig. 1/2)**

- 1 Saw head
- 2 Handle
- 3 Adjustable guard for the cutting-off wheel
- 4 Adjustable clamping face
- 5 Spindle
- 6 Hand crank
- 7 Stationary clamping face
- 8 Carry handle
- 9 Shaft lock
- 10 ON/OFF switch
- 11 Cutting-off wheel
- 12 Table
- 13 Chain
- 14 Hinged nut
- 15 Vise
- 16 Lock screw
- 17 Lock screw

2. Items supplied

- Metal cutting-off machine
- Cutting-off wheel for steel
- Open-ended wrench

3. Proper use

The MKS 355/1 metal cutting-off machine is designed for cutting metal commensurate with the machine's size.

The machine is to be used only for its prescribed purpose.

Any other use is deemed to be a case of misuse. The user/operator and not the manufacturer will be held liable for damage and/or injuries of any kind that result from such misuse.

The machine is to be operated only with suitable cutting-off wheels. It is prohibited to use any kind of saw blade made of HSS, HM, CV, etc.

To use the machine properly you must also observe the safety regulations, the assembly instructions and the operating instructions to be found in this manual.

All persons who use and service the machine have to be acquainted with this manual and must be informed about the machine's potential hazards.

It is also imperative to observe the accident prevention regulations in force in your area.

The same applies for the general rules of occupational health and safety.

The manufacturer shall not be liable for any changes made to the machine nor for any damage resulting from such changes.

Even when the machine is used as prescribed it is still impossible to eliminate certain residual risk

factors. The following hazards may arise in connection with the machine's construction and design:

- Contact with the cutting-off wheel in the uncovered cutting zone.
- Reaching into the cutting-off wheel while it is running (injuries through cutting).
- Kick-back of workpieces and parts of workpieces.
- Broken cutting-off wheels.
- Catapulting of damaged or cutting-off wheels.
- Damage to hearing if ear-muffs are not used as necessary.

4. Important information

Please read the directions for use carefully and observe the information provided. It is important to consult these instructions in order to acquaint yourself with the machine, its proper use and safety precautions.

**Safety information**

- Warning: When using electric tools it is imperative to take the following basic safety precautions in order to reduce the risk of electric shock, injury and fire.
 - Take due note of all this information before and while working with the cutting-off machine.
1. For your own safety, read these safety instructions before you put the electric tool into operation. Familiarize yourself with the tool's operating range and limits, as well as the special hazards involved in its operation.
 2. Do not remove any safety devices..
 3. Use personal safety equipment. Wear safety goggles. Normal spectacles are not safety goggles. Use a dust mask when working on dusty jobs
 4. Always remove keys and wrenches after use. Before switching on, make sure that all keys and wrenches have been removed from the tool.
 5. Keep your work area tidy. An untidy work area invites accidents.
 6. Avoid hazardous ambient conditions. Never use electric tools in damp or wet locations, and never expose them to rain. Keep your work area clean. Ensure that there is sufficient space at your place of work.
 7. Keep children away. Do not allow other persons, particularly children, to touch the electric tool or

- its cables. Keep them away from your work area.
8. Make the machine child-proof. Fit a pad-lock, deactivate the main switch or remove the start key.
 9. Do not overload your electric tool. Electric tools work better and safer when used within their quoted capacity range.
 10. Use the right electric tool. Do not use electric tools to perform work for which they were not intended.
 11. Wear suitable work clothes. Do not wear loose clothing or jewelry as they may get caught in moving parts. Non-slip shoes are recommended. Wear a hair net if you have long hair.
 12. Secure your workpiece. Use clamps or a vise to hold the workpiece securely. This is safer than using your hand.
 13. Take care of your electric tools. Keep mounted attachments such as cutting-off wheels, blades and bits sharp and clean to enable you to work well and safely. Follow the maintenance regulations and the instructions for changing mounted attachments such as cutting-off wheels, blades and bits. Check the electric tool's cable regularly and have it replaced by an authorized specialist if damaged. Check your extension cables regularly and replace them if damaged. Keep handles dry and free from oil and grease.
 14. Always pull out the power plug. This is essential when not using the electric tool, prior to maintenance, and when changing mounted attachments such as cutting-off wheels, blades and bits.
 15. Use only recommended accessories. Recommended accessories are listed in the directions for use. Follow the instructions issued for the accessories. It may be dangerous to use unsuitable accessories.
 16. Do not climb on your electric tool. The tool may topple and cause an injury.
 17. Check the electric tool for damage. Each time before re-using the electric tool, carefully check that the safety devices or any slightly damaged parts are working as intended. Check that the moving parts are in good working order, that they do not jam, and that no parts are damaged. All parts must be correctly assembled and meet all the conditions required to ensure that the electric tool works correctly. Unless otherwise stated in the operating instructions, damaged safety devices and parts have to be repaired or replaced by an authorized service center. Have damaged switches replaced by a customer service workshop. Never use an electric tool with a switch that cannot be turned on and off.
 18. **Direction of operation:** Make sure that the direction arrow points toward the workpiece.
 19. Never leave an electric tool unattended when it is running. Always switch off your electric tool before leaving it. Wait until the tool stops moving completely.
 20. Connect your electric tool to earth. An electric tool with a PE conductor may only be connected to a matching socket-outlet.
 11. Make allowance for ambient conditions. Do not expose electric tools to rain. Never use electric tools in damp or wet locations. Provide good lighting. Do not use electric tools near flammable liquids or gases.
 22. Guard against electric shock. Avoid body contact with earthed components.
 23. Keep your electric tools in a safe place. When equipment is not being used it should be kept in a dry, closed place out of children's reach.
 24. Connect up a dust extraction system. If there are provisions for connecting up a dust extraction and collection system, make sure that such a system is connected and in use.
 25. Use the cable for its intended purpose only. Do not use the cable to pull the plug out of the socket-outlet. Protect cables from heat, oil and sharp edges.
 26. Avoid abnormal working postures. Make sure you stand squarely and keep your balance at all times.
 27. Avoid unintentional starting. Make sure that the switch is OFF when inserting the plug in the socket-outlet.
 28. When working outdoors, use only extension cables that are approved for outdoor use and which are marked accordingly.
 29. Be alert at all times. Concentrate on what you are doing. Use common sense. Never use the electric tool when you are distracted.
 30. **CAUTION!** The use of mounted attachments and accessories other than those intended may put you at risk of injury.
 31. Have repairs carried out only by a qualified electrician. This electric tool complies with the pertinent safety regulations. Repairs have to be carried out by a qualified electrician using original replacement parts. If not, the user may suffer an accident.
 32. Do not lose these safety regulations.

Additional safety rules for cutting-off machines

1. **CAUTION!** Never use your cutting-off machine unless it is fully assembled and installed as described in this manual.

GB

2. If you are not acquainted with the use of a cutting-off machine, get advice from a supervisor, trainer or other qualified person.
3. Wear safety goggles, a visor, a breathing mask, an apron, safety shoes, long tight sleeves and gloves.
4. Use only recommended, reinforced cutting-off wheels.
5. Securely tighten the shaft screw and all clamps before beginning your work.
6. Make sure that the shaft lock is released before starting.
7. Always leave the safety devices in position and make sure that they are in good working order.
8. Keep your hands away from the cutting-off wheel.
9. Secure the workpiece carefully. It has to be securely clamped in a straight position in order to prevent it from moving and skewing while the cut is being made.
10. Never cut free-handed.
11. Never reach behind or near the cutting-off wheel.
12. Make sure that the cutting-off wheel stops completely before you remove the workpiece, clamp in a new workpiece, or adjust the angle.
13. Make sure that there are no foreign bodies on the cutting-off wheel and flange.
14. When you fit a cutting-off wheel, take care to tighten the shaft screw just enough to hold the wheel in place and prevent it from spinning. Overtightening the shaft screw may damage the cutting-off wheel or cause it to break off the wheel flange.
15. Use only recommended cutting-off wheels that are suitable for 3400/min or higher and are marked accordingly.
16. Always check the cutting-off wheel for cracks or other signs of damage. Replace cracked or damaged cutting-off wheels immediately.
17. Use only the cutting-off wheel flanges specified for your machine.
18. Before you switch on, make sure that the cutting-off wheel does not touch the machine.
19. Allow the motor to reach top speed before you begin to cut.
20. After you have switched on, lower the cutting-off wheel slowly until it comes into contact with the workpiece. Then carry out a smooth cut. Avoid causing the cutting-off wheel to jump or chatter. This will only lead to premature wear and result in poor cuts or a broken cutting-off wheel.
21. Workpieces are best cut when their angle in relation to the cutting-off wheel is kept as small as possible.
22. The number of cuts per cutting-off wheel and their quality may vary considerably with the time taken to make the cuts. Fast cuts may accelerate wheel wear, but they also prevent discoloring of the workpiece and the formation of burr. This requires particular attention when cutting thin-walled tubes. Do not reduce the cutting speed toward the end of the cut, but cut right through to the end with full power. This will help to prevent the material from overheating and forming burr.
23. Always use the guard over cutting-off wheel.
24. Never use the machine in the vicinity of combustible liquids or gases.
25. To avoid electric shocks, never use the machine in damp or wet locations, and never expose it to rain.
26. This electric tool was developed exclusively for cutting ferrous metals. Do not try to cut wood, brick or magnesium on this machine.
27. Do not stand in the cutting direction after a new cutting-off wheel has been fitted. Allow the machine to run for approximately one minute before you begin with the cutting. If the cutting-off wheel has an invisible fracture or defect, it will burst in less than one minute.
28. Switch off the power supply before you carry out any maintenance or adjustment work on the machine.
29. Should any part of your machine be missing, damaged or out of order in any way, or should any electrical components fail to work correctly, switch off the machine and pull the power plug out of the socket-outlet. Replace the missing, damaged or defective part before you carry on with your work.
30. In the case of cutting-off wheels with straight-sided flanges, be sure to observe the recommend values for thickness and hole diameter.



Wear safety goggles



Wear ear-muffs



Wear a breathing mask

Noise emission values

Sound pressure level, LPA	98 dB (A)
Sound power level, LWA	111 dB (A)

5. Technical data

AC motor	230 V ~ 50 Hz
Power P	2000 watts
Idle speed n_0	3900 min ⁻¹
Cutting-off wheel	Ø 355 x Ø 25.4 x 3.2 mm
Footprint	445 x 245 mm
Swiveling range	0 - 45° mm
Vise clamping range max.	0 - 240 mm
Saw width at 90°	Ø 100 / 70 x 170 mm
Saw width at 45°	100 x 70 mm
Weight	19.6 kg

6. Before putting the machine into operation

- Unpack the metal cutting-off machine and check it for damage which may have occurred in transit.
- The machine has to be set up where it can stand firmly, e.g. on a work bench, or it must be bolted to a strong base.
- All covers and safety devices have to be properly fitted before the machine is switched on.
- It must be possible for the cutting-off wheel to run freely.
- Before you actuate the ON/OFF switch, make sure that the cutting-off wheel is correctly fitted and that the machine's moving parts run smoothly.
- Before you connect the machine to the power supply, make sure the data on the rating plate is the same as that for your mains.

7. Assembly

Caution! Pull out the power plug before carrying out any maintenance, resetting or assembly work on the cutting-off machine!

7.1 Transport brace / carry-handle (Fig. 1 / 2)

- The saw head (1) is anchored in its lower position with a chain (13). (Fig. 2)
- Push down the saw head (1) by the handle (2)

and unhook the chain (13).

- Slowly raise the saw head (1).
Caution! The resetting spring lifts the saw head (1) automatically. Therefore, do not simply let go of the handle (2) after cutting, but allow the saw head (1) to rise slowly by applying slight counterpressure.
- Fig.1 shows the saw head (1) in its upper position.
- Whenever you want to transport the machine you should use the chain (13) to anchor the saw head (1) again in its lower position.
- The saw is equipped with a carry-handle (8) to make it easier to transport.

7.2. Vise (Fig. 3 / 4)

Every workpiece has to be fastened in the vise (15) before it is cut.

- Flip up the top half of the nut (14).
- Pull out the spindle (5) far enough for the workpiece to be clamped between the clamping faces (4/7) of the vise (15).
- **Note:** You do not have to turn the spindle (5) when the top half of the nut (14) has been flipped up. The spindle (5) can be pulled out or pushed in to the exact amount required.
- Push forward the spindle (5) to the point where the clamping face (4) touches the workpiece.
- Flip down the top half of the nut (14) again so that the spindle (5) and both halves of the nut engage with each other.
- Turn the hand crank (6) to safely secure the workpiece in the vise (15).

7.3. Miter cuts (Fig. 5)

The vise can be swiveled from 0° to 45° in order to make miter cuts.

- Slacken the two screws (16/17).
- Turn the clamping face (7) of the vise (15) to the required angle.
- Retighten the screws (16/17).
- When you clamp the workpiece, the front clamping face (4) will automatically swing into the correct position and align itself with the workpiece in order to ensure that the workpiece is safely fastened.

7.4. Adjusting the stop screw (Fig. 6)

The downward movement of the cutting-off wheel can be adjusted with the stop screw (18). This is necessary to compensate wheel wear – as the cutting-off wheel becomes smaller in diameter it would no longer be able to cut right through the workpiece.

GB

- Undo the lock nut (19).
- Turn the stop screw (18) in or out as required.
- Lower the saw head (1) to check whether the cutting off wheel (11) reaches the clamping face (7) of the vise (15).
- Retighten the lock nut (19).

7.5. Replacing the cutting-off wheel (Fig. 7 / 8)

- **Pull out the power plug.**
- Move the saw head (1) to its upper position of rest.
- Swing up the adjustable guard (3) for the cutting-off wheel.
- Open the wing nut (20) and turn the side guard (21) for the cutting-off wheel to the rear.
- Push the shaft lock (9) to the right and turn the cutting-off wheel (11) slowly with the other hand until the shaft lock (9) engages.
- Use the supplied open-ended wrench (23) to turn out the shaft screw (22) in counterclockwise direction.
- Remove the shaft screw (22), washer, outer flange (24) and worn cutting-off wheel (11).
- Install the new cutting-off wheel in reverse order and tighten.
Important! The flanges have to be thoroughly cleaned prior to mounting the cutting-off wheel.
- Note the direction arrow!
- Use only recommended, reinforced cutting-off wheels and take care to tighten the shaft screw (22) just enough to hold the wheel (11) securely in place and prevent it from spinning. Overtightening the shaft screw (11) may damage the cutting-off wheel.
- Turn the side guard (21) for the cutting-off wheel back to the front and fasten in place with the thumb screw (20).
- Push down the saw head (1) by the handle so that the cutting-off wheel guard (3) can be flipped forward again.

8.0 Using the cutting-off machine**8.1. ON/OFF switch (Fig. 9)**

The MKS 355/1 metal cutting-off machine is equipped with a safety switch to prevent accidental starting.

- Push the locking button (25) up.
- Only now can the cutting-off machine be activated with the switch (10).
- To deactivate the cutting-off machine again, let go of the switch (10).

8.2. Making a cut (Fig. 10 / 11)

- Clamp the workpiece securely in the vise.
- Switch on the machine and wait for the motor to reach its top speed.
- Push down the saw head (1) by the handle (2) until the cutting-off wheel makes slight contact with the workpiece.
- Move the cutting-off wheel (11) smoothly through the material you want to cut.
Important! Avoid causing the cutting-off wheel to jump or chatter. This will only result in cuts of poor quality or a broken wheel.
- Press down the handle (2) firmly and evenly during the cutting operation.
- To prevent overheating of the workpiece and excessive formation of burr, you should not reduce cutting speed at the end of the cutting operation.
Note: The number of cuts per cutting-off wheel and their quality may vary considerably with the time taken to make the cuts. Fast cuts may accelerate wheel wear, but they also prevent discoloring of the workpiece and the formation of burr.

9.0. Maintenance

- **Caution!** Pull out the power plug first.
- Remove dust and dirt regularly from the machine. Cleaning is best carried out with a fine brush or a cloth.
- Never use caustic agents to clean plastic parts.

10.0. Ordering replacement parts

Please quote the following data when ordering replacement parts:

- Type of machine
- Article number of the machine
- Identification number of the machine
- Replacement part number of the part required

For our latest prices and information please go to www.isc-gmbh.info

Ersatzteilliste MKS 355/1**Art.-Nr.: 45.031.21 I.-Nr.: 01013**

(siehe Abbildung 1/2)

Pos.	Beschreibung	Ersatzteilnr.
03	Trennscheibenschutz beweglich	45.031.20.71
04	Spannvorrichtung beweglich (Pos. 4 – Pos. 6)	45.031.20.72
07	Spannfläche feststehend	45.031.20.73
10	Ein- Ausschalter	45.031.20.74
11	Trennscheibe	45.020.22
12	Auffagetisch	45.031.20.75
13	Haltekette	45.031.20.53
14	Schraubstock komplett (Pos. 14 – Pos. 15)	45.031.20.76
o. B.	Netzleitung	44.316.60.59
o. B.	Kohlebürsten-Set	45.031.20.77
o. B.	Gabel-Ringschlüssel	45.031.20.57

- (D) EG Konformitätserklärung
- (GB) EC Declaration of Conformity
- (F) Déclaration de Conformité CE
- (NL) EC Conformiteitsverklaring
- (E) Declaracion CE de Conformidad
- (P) Declaração de conformidade CE
- (S) EC Konformitetsförklaring
- (FIN) EC Yhdenmukaisuusilmoitus
- (N) EC Konfirmitetserklæring
- (BIS) EC Заявление о конформности
- (HR) Dichiarazione di conformità CE
- (RO) Declarație de conformitate CE
- (TR) AT Uygunluk Deklarasyonu

Einhell®

CE

- (GR) EC Δήλωση περι της ανταπόκρισης
- (I) Dichiarazione di conformità CE
- (DK) EC Overensstemmelseerklæring
- (CZ) EU prohlášení o konformitě
- (H) EU Konformitjekijelentés
- (SLU) EU Izjava o skladnosti
- (PL) Oświadczenie o zgodności z normami Europejskiej Wspólnoty
- (SK) Vyhlásenie EU o konformite
- (BG) Декларация за съответствие на ЕО

Metalltrenmaschine MKS 355/1

Der Unterzeichnende erklärt in Namen der Firma die Übereinstimmung des Produktes.

The undersigned declares in the name of the company that the product is in compliance with the following guidelines and standards.

Le soussigné déclare au nom de l'entreprise la conformité du produit avec les directives et normes suivantes.

De ondertekenaar verklaart in naam van de firma dat het product overeenstemt met de volgende richtlijnen en normen.

El abajo firmante declara, en el nombre de la empresa, la conformidad del producto con las directrices y normas siguientes.

O signatário declara em nome da firma a conformidade do produto com as seguintes directivas e normas.

Undertecknad förklarar i firmans namn att produkten överensstämmer med följande direktiv och standarder.

Allekirjoittanut ilmoittaa liikkeen nimissä, että tuote vastaa seuraavia direktiivejä ja standardeja:

Undertegnede erklærer på vegne av firmaet at produktet samsvarer med følgende direktiver og normer.

Лодлисавашиися лодтверждаеа от имени фирмы б что настоящее изделие соответствует требованиям следующих нормативных документов.

Az aláíró kijelenti, a cég nevében a termék megegyezését a

következő irányvonalakkal és normákkal.

Subsemnatul declară în numele firmei că produsul core-spunde următoarelor directive și standarde.

Imzalayan kisi, firma adına urunün aşagıda anılan yönetme-liklere ve normlara uygun olduğuna beyan eder.

En ondëmati της εταιρείας δηλώνει ο υπογεγραμμένος την συμφώνια του προϊόντος προς τους ακόλουθους κανονισμούς και τα ακόλουθα πρότυπα.

Il sottoscritto dichiara a nome della ditta la conformità del prodotto con le direttive e le norme seguenti.

På firmaets vegne erklærer undertegnede, at produktet imø-dekammer kravene i følgende direktiver og normer.

Niže podepsany jménem firmy prohlášuje, že výrobek odpov-ídá následujícím směrnicím a normám.

Az aláíró kijelenti, a cég nevében a termék megegyezését a

következő irányvonalakkal és normákkal.

Podpisani izjavjam v imenu podjetja, da je proizvod v sklad-nosti s sledečimi smernicami in standardi.

Niżej podpisany oświadcza w imieniu firmy, że produkt jest zgodny z następującymi wytycznymi i normami.

Podpisujući zázavne prehlasuje v mene firme, že tento výrobok je v súlade s nasledovnými smernicami a normami.

Долуподписаният декларира от името на фирмата съответствието на продукта.

<input checked="" type="checkbox"/>	98/37/EG	<input type="checkbox"/>	89/686/EWG	ISC GmbH Eschenstraße 6 D-94405 Landau/Isar
<input checked="" type="checkbox"/>	73/23/EWG	<input type="checkbox"/>	87/404/EWG	
<input type="checkbox"/>	97/23/EG	<input type="checkbox"/>	R&TTED 1999/5/EG	
<input checked="" type="checkbox"/>	89/336/EWG	<input type="checkbox"/>	2000/14/EG: L_{WM}..... dB(A); L_{WA}.....dB(A)	
<input type="checkbox"/>	90/396/EWG			

EN 61029-1; EN 55014-1; EN 55014-2; EN 61000 3-2; EN 61000 3-3

Landau/Isar, den 16.01.2004

Brunhölzl

Brunhölzl
Leiter Produkt-Management

Kraus

Kraus
Produkt-Management

Archivierung / For archives: **4503120-38-4175500-E**

GARANTIEURKUNDE

Auf das in der Anleitung bezeichnete Gerät geben wir 2 Jahre Garantie, für den Fall, dass unser Produkt mangelhaft sein sollte. Die 2-Jahres-Frist beginnt mit dem Gefahrenübergang oder der Übernahme des Gerätes durch den Kunden. Voraussetzung für die Geltendmachung der Garantie ist eine ordnungsgemäße Wartung entsprechend der Bedienungsanleitung sowie die bestimmungsgemäße Benutzung unseres Gerätes.

Selbstverständlich bleiben Ihnen die gesetzlichen Gewährleistungsrechte innerhalb dieser 2 Jahre erhalten. Die Garantie gilt für den Bereich der Bundesrepublik Deutschland oder der jeweiligen Länder des regionalen Hauptvertriebspartners als Ergänzung der lokal gültigen gesetzlichen Vorschriften. Bitte beachten Sie Ihren Ansprechpartner des regional zuständigen Kundendienstes oder die unten aufgeführte Serviceadresse.

ISC GmbH · International Service Center
Eschenstraße 6 · D-94405 Landau/Isar (Germany)
Info-Tel. 0180-5 120 509 · Telefax 0180-5 835 830
Service- und Infoserver: <http://www.isc-gmbh.info>

WARRANTY CERTIFICATE

The product described in these instructions comes with a 2 year warranty covering defects. This 2-year warranty period begins with the passing of risk or when the customer receives the product.

For warranty claims to be accepted, the product has to receive the correct maintenance and be put to the proper use as described in the operating instructions.

Your statutory rights of warranty are naturally unaffected during these 2 years.

This warranty applies in Germany, or in the respective country of the manufacturer's main regional sales partner, as a supplement to local regulations. Please note the details for contacting the customer service center responsible for your region or the service address listed below.

Einhell UK Ltd

Unit 5 Morpeth Wharf

Twelve Quays

Birkenhead, Wirral

CH 41 1NG

Tel. 0151 6491500, Fax 0151 64915

Technical changes subject to change



Ⓔ For EU countries only

Never place any electric tools in your household refuse.

To comply with European Directive 2002/96/EC concerning old electric and electronic equipment and its implementation in national laws, old electric tools have to be separated from other waste and disposed of in an environment-friendly fashion, e.g. by taking to a recycling depot.

Recycling alternative to the demand to return electrical devices:

As an alternative to returning the electrical device, the owner is obliged to cooperate in ensuring that the device is properly recycled if ownership is relinquished. This can also be done by handing over the used device to a returns center, which will dispose of it in accordance with national commercial and industrial waste management legislation. This does not apply to the accessories and auxiliary equipment without any electrical components which are included with the used device.

Ⓔ

The reprinting or reproduction by any other means, in whole or in part, of documentation and papers accompanying products is permitted only with the express consent of ISC GmbH.

EH 03/2006