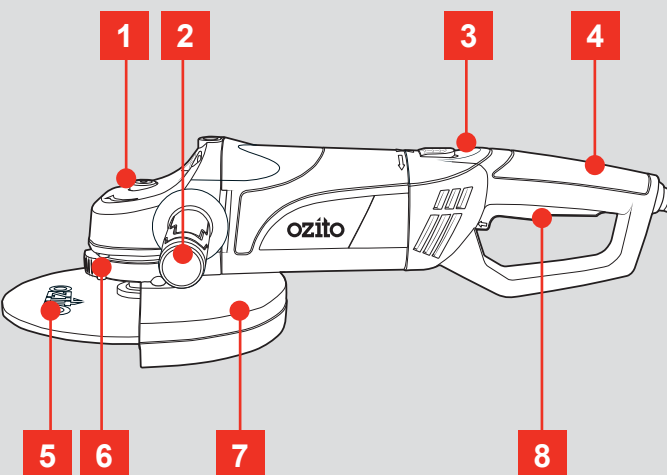




# KNOW YOUR PRODUCT

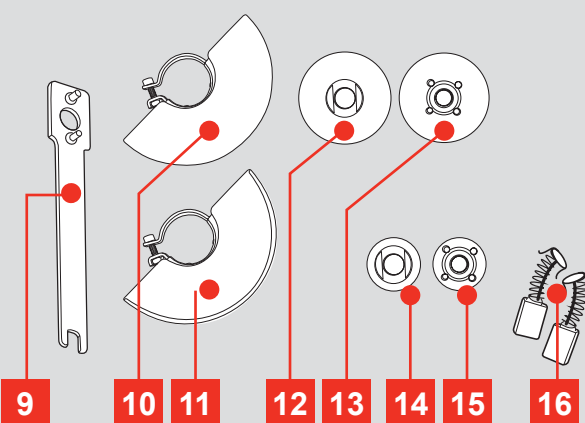
## ANGLE GRINDER

- |                          |                           |
|--------------------------|---------------------------|
| 1 Spindle Lock           | 5 Grinding Disc           |
| 2 Side Handle            | 6 Guard Locking Lever     |
| 3 Handle Rotation Button | 7 Grinding Guard          |
| 4 Rear Handle            | 8 Safety Lock Off Trigger |



## ACCESSORIES

- |                                |                                |
|--------------------------------|--------------------------------|
| 9 Pin Spanner                  | 13 Cutting Outer Flange (80mm) |
| 10 Cutting Guard               | 14 Grinding Inner Flange       |
| 11 Grinding Guard              | 15 Grinding Outer Flange       |
| 12 Cutting Inner Flange (80mm) | 16 Carbon Brushes              |



## ONLINE MANUAL

Scan this QR Code with your mobile device to take you to the online manual.



# SETUP & PREPARATION

## 1. BEFORE USE

### Items Supplied

Please check that the article is complete as specified in the scope of delivery. If parts are missing, please contact our service center or the sales outlet where you made your purchase at the latest within 5 working days after purchasing the product and upon presentation of a valid bill of purchase. Also, refer to the warranty table in the service information at the end of the operating instructions.

- Open the packaging and take out the equipment with care.
- Remove the packaging material and any packaging and/or transportation braces (if available).
- Check to see if all items are supplied.
- Inspect the equipment and accessories for transport damage.
- If possible, please keep the packaging until the end of the guarantee period.

### Danger!

The equipment and packaging material are not toys. Do not let children play with plastic bags, foils or small parts. There is a danger of swallowing or suffocating!

### Proper Use

The angle grinder is designed for grinding metal and stone when using the appropriate grinding wheel and guard.

**Warning!** To cut metal and stone the grinder/sander may only be used when the guard (available as an accessory) is mounted.

The equipment is to be used only for its prescribed purpose. Any other use is deemed to be a case of misuse. The user / operator and not the manufacturer will be liable for any damage or injuries of any kind caused as a result of this.

Please note that our equipment has not been designed for use in commercial, trade or industrial applications. Our warranty will be voided if the machine is used in commercial, trade or industrial businesses or for equivalent purposes.

### Caution! Residual risks

Even if you use this electric power tool in accordance with instructions, certain residual risks cannot be ruled out. The following hazards may arise in connection with the equipment's construction and layout:

1. Lung damage if no suitable protective dust mask is used.
2. Damage to hearing if no suitable ear protection is used.
3. Health damage caused by hand-arm vibrations if the equipment is used over a prolonged period or is not properly guided and maintained.

## 2. HANDLES

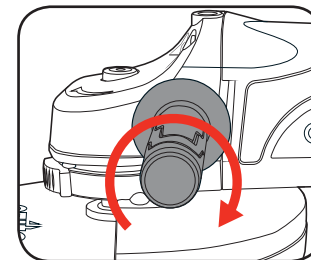
**CAUTION! ENSURE THE TOOL IS SWITCHED OFF AND DISCONNECTED FROM THE POWER SUPPLY BEFORE PERFORMING ANY OF THE FOLLOWING TASKS.**

### Side Handle

The side handle can be fitted on both sides and the top of your grinder. The correct position will be determined by your preferred hand and the task.

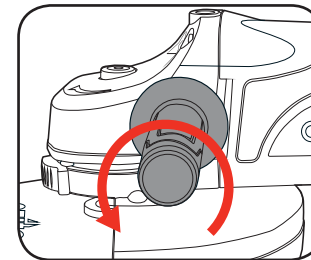
### Attaching

- 1 Firmly attach the side handle on the desired side of the grinder. Thread in clockwise.



### Removing

- 2 Remove side handle by turning anti-clockwise.

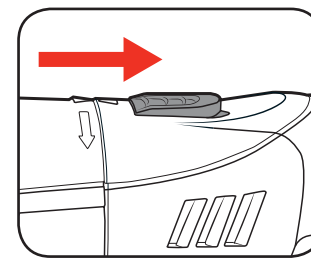


### Rear Handle

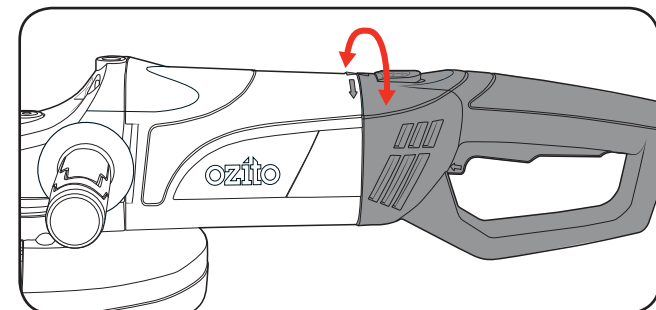
**WARNING! NEVER START THE TOOL WITH THE REAR HANDLE LOOSE. ENSURE IT IS SECURELY LOCKED IN POSITION BEFORE OPERATING.**

The rear handle can be rotated to increase user comfort and to gain better access to hard to reach or confined places.

- 1 Pull back the handle rotation button.



- 2 Rotate the rear handle 90° until it clicks into place.

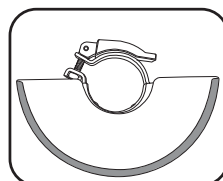


# OPERATION

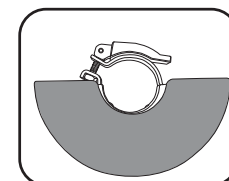
## 3. SAFETY GUARDS

### Safety Guard

A safety guard should be used at all times whilst operating the angle grinder.



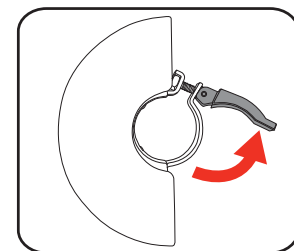
Use ONLY the semi-open Grinding Guard with a grinding disc.



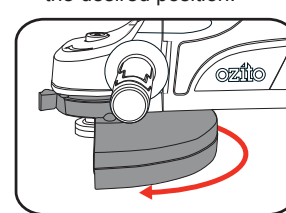
Use ONLY the fully enclosed Cutting Guard with a cutting disc.

### Attaching

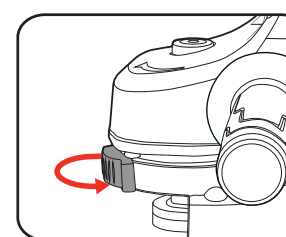
- 1 Release the guard lever and loosen guard nut.



- 2 Place guard on spindle neck by aligning the notches. Then rotate into the desired position.



- 3 Tighten guard nut then close the guard lever.

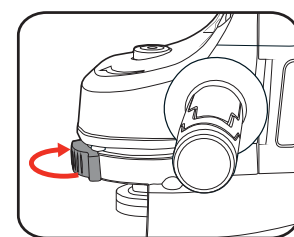


**NOTE: IF THE GUARD NUT IS OVER-TIGHTENED, THE GUARD LEVER WILL NOT BE ABLE TO CLOSE PROPERLY.**

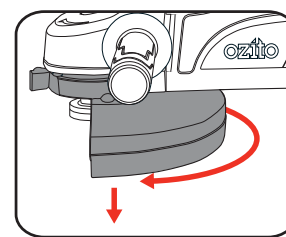
**IF THE GUARD NUT IS TOO LOOSE, THE GUARD LEVER WILL CLOSE BUT WILL NOT SECURELY FASTEN THE GUARD TO THE SPINDLE NECK.**

### Removing

- 1 Release the guard lever and loosen guard nut.



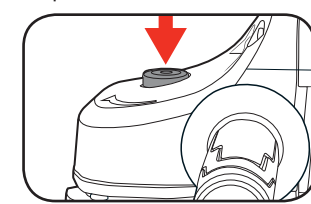
- 2 Align tabs on the guard with slots on the guard collar and then remove guard.



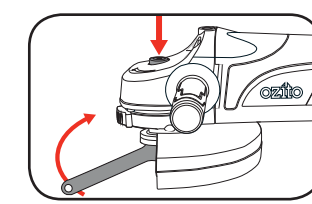
## 4. CHANGING DISCS

### Removing

- 1 Depress and hold spindle lock button. Rotate the spindle to locate the lock position.



- 2 Use pin spanner to loosen the outer flange. Remove the inner and outer flange.

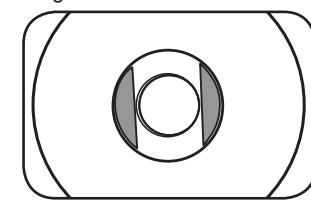


### Fitting a Disc

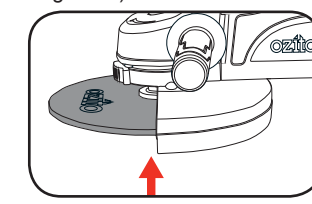
Two sets of flanges are provided with your angle grinder to enable the fitting of a cutting or grinding disc. Ensure you use the correct flanges for the application. Paper washers are for use with cutting discs to prevent the outer flange from self tightening during operation.

**CAUTION! INSPECT THE DISC BEFORE FITMENT TO ENSURE IT IS NOT CRACKED OR DEFORMED. THE GRINDING DISC IS SUITABLE FOR GRINDING TASKS ONLY. ONLY USE DISCS WITH A DIAMETER OF 230MM.**

- 1 Place the inner flange onto the spindle, ensuring the notches align with the grooves.



- 2 For grinding, insert the provided disc with the label facing up, (facing the grinder).



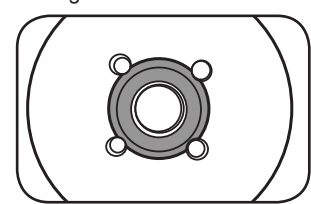
**NOTE: FOR CUTTING, ENSURE A PAPER WASHER IS PLACED BETWEEN THE INNER FLANGE AND CUTTING DISC TO PREVENT SELF TIGHTENING DURING OPERATION.**

- 3 Screw the outer flange onto the spindle. The direction of the outer flange differs for the cutting and grinding disc as shown below.

**Note: Outer flanges are threaded, Inner flanges are not.**

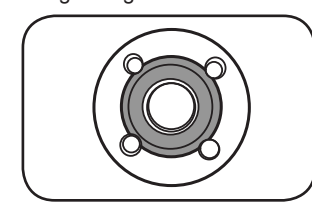
### Cutting Disc:

The raised ring on the flange must face away from the cutting disc.

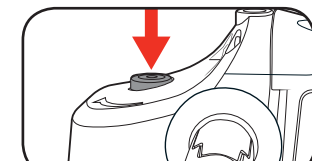


### Grinding Disc:

The raised ring on the flange must locate within the hole on the grinding disc.



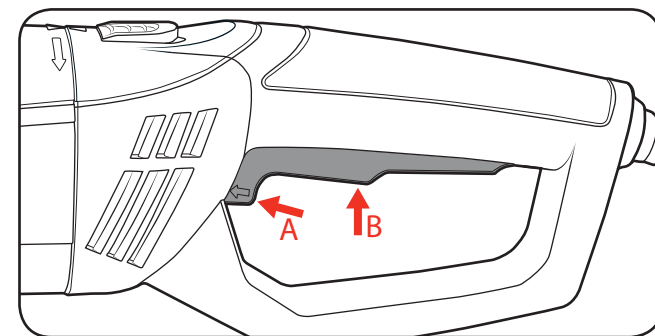
- 4 Depress and hold spindle lock button. Firmly tighten the outer flange with the pin spanner.



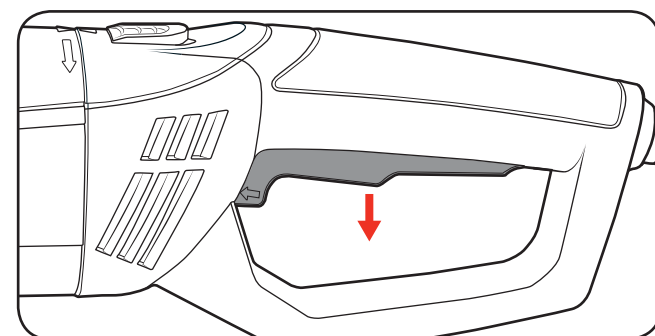
## 5. ON/OFF SWITCH

**CAUTION! TO REDUCE THE RISK OF ELECTRICAL SHOCK, THE USE OF A RESIDUAL CURRENT DEVICE (RATED 30mA OR LESS) IS RECOMMENDED.**

- 1 To turn the grinder on, first push safety lock off trigger forward, then depress trigger. Hold the trigger switch in this position for continuous use.



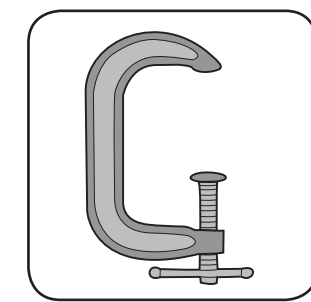
- 2 To turn the grinder off, release the trigger switch.



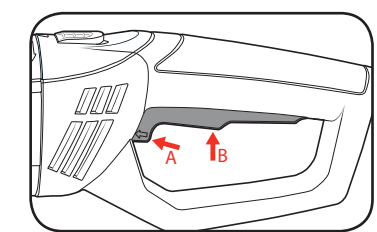
**Note: The grinder is fitted with a soft-start switch for added safety.**

## 6. GRINDING & CUTTING

- 1 Ensure the workpiece is securely held down.

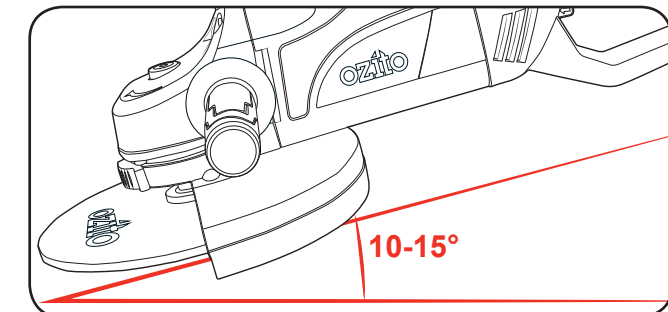


- 2 Turn on the angle grinder.



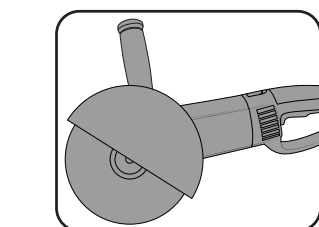
### 3a For grinding

The optimum angle is 10-15° to the workpiece. Do not apply excessive pressure. Allow the tool to do the work. This will prevent deep gouging.



### 3b For cutting

The optimum angle is 90° to the workpiece. Do not apply excessive pressure. Allow the tool to do the work.



**CAUTION! REGULARLY CHECK THAT THE OUTER FLANGE HAS NOT BECOME LOOSE DURING OPERATION.**