

**GARDENLINE®**

# 36v Cordless Lawn Mower User Guide



## **After Sales Support**

Now you have purchased a Gardenline® product you can rest assured in the knowledge that as well as your 3 year parts and labour guarantee you have the added peace of mind of dedicated helplines and web support.



# GARDENLINE<sup>®</sup>

Cordless Lawn Mower

## Warranty Details

The product is guaranteed to be free from defects in workmanship and parts for a period of 36 months from the date of purchase. Defects that occur within this warranty period, under normal use and care, will be repaired, replaced or refunded at our discretion. There will be no returns accepted with products containing fuel. The benefits conferred by this warranty are in addition to all rights and remedies in respect of the product that the consumer has under the Competition and Consumer Act and similar state and territory laws.

Our goods come with guarantees that cannot be excluded under the Australian Consumer Law. You are entitled to a replacement or refund for a major failure and for compensation for any other reasonably foreseeable loss or damage. You are also entitled to have the goods repaired or replaced if the goods fail to be acceptable quality and the failure does not amount to a major failure.

### After Sales Support

Telephone: 1300 922 271  
Email: [service.australia@isc-gmbh.info](mailto:service.australia@isc-gmbh.info)



### AFTER SALES SUPPORT



1300 922 271



[service.australia@isc-gmbh.info](mailto:service.australia@isc-gmbh.info)

# Contents

---

6	<b>Safety Information</b>
9	<b>Layout</b>
9	<b>Items Supplied</b>
9	<b>Intended Use</b>
10	<b>Technical Data</b>
10	<b>Before Starting The Equipment</b>
11	<b>Operations</b>
12	<b>Cleaning, Maintenance and Ordering Spare Parts</b>
12	<b>Storage and Transport</b>
13	<b>Disposal and Recycling</b>
14	<b>Troubleshooting</b>

## What your 3 year warranty means

Congratulations on choosing to buy a Gardenline® product. By doing so you now have the assurance and peace of mind that comes with purchasing a product made by one of Australia's leading suppliers.

All products brought to you by Gardenline® are manufactured to the highest standards of performance and safety, and, as part of our philosophy of customer service and satisfaction, are backed by our comprehensive 3 Year Guarantee.

Please fill in and return the Guarantee Card to the address provided.

We hope you will enjoy using your purchase for many years to come.

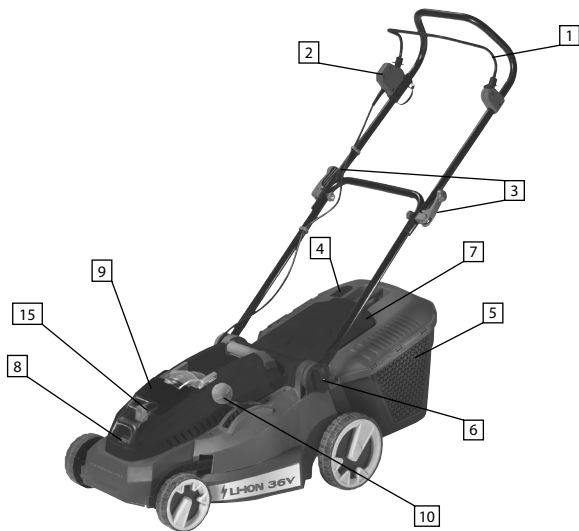
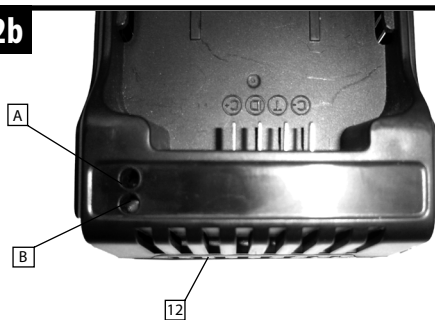
## AFTER SALES SUPPORT



1300 922 271



service.australia@isc-gmbh.info

**1****2a****2b****AFTER SALES SUPPORT**

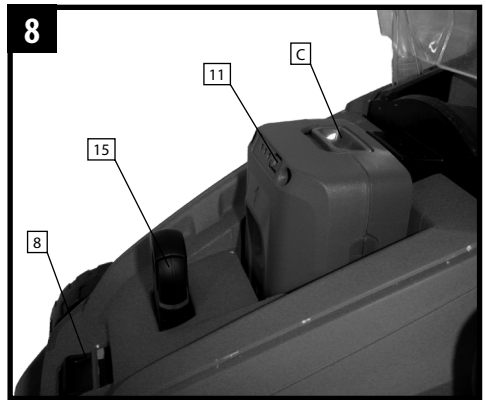
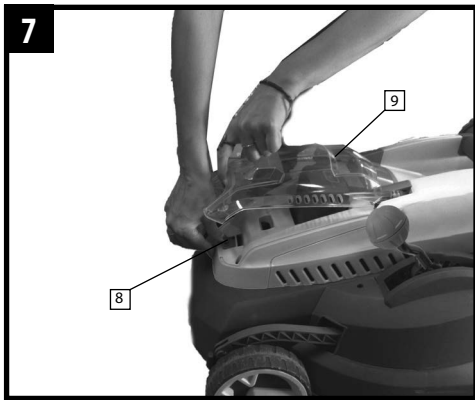
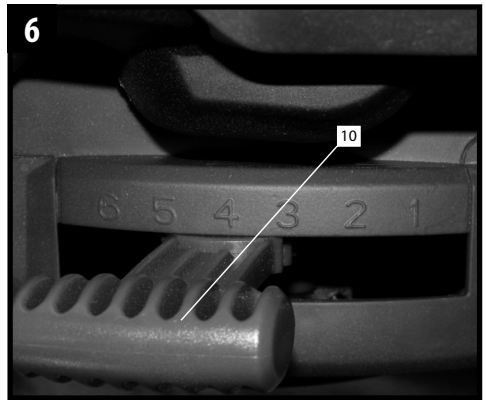
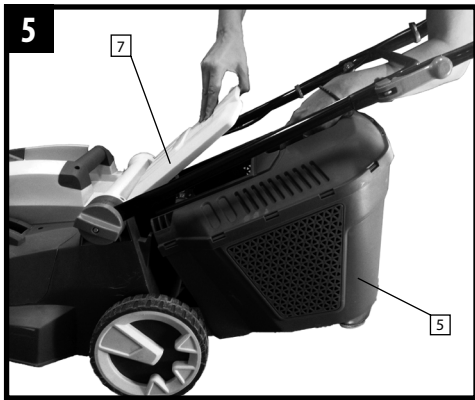
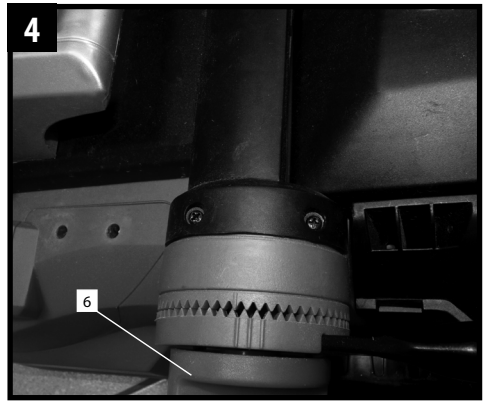
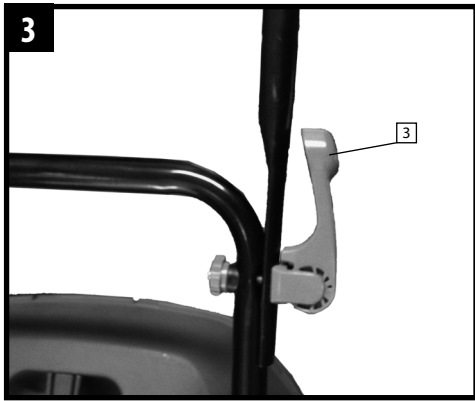
1300 922 271



service.australia@isc-gmbh.info

4

**MODEL NUMBER: GL-CM 36 Li, 02/14**



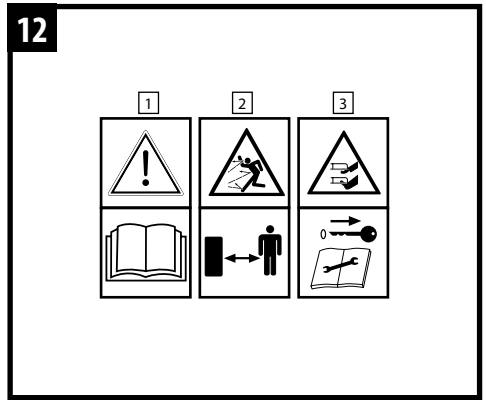
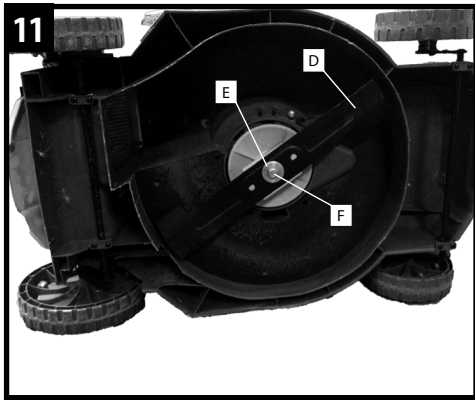
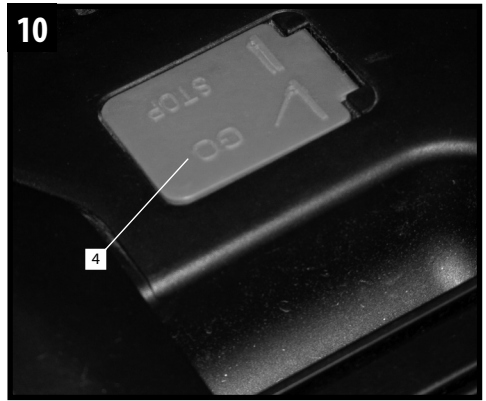
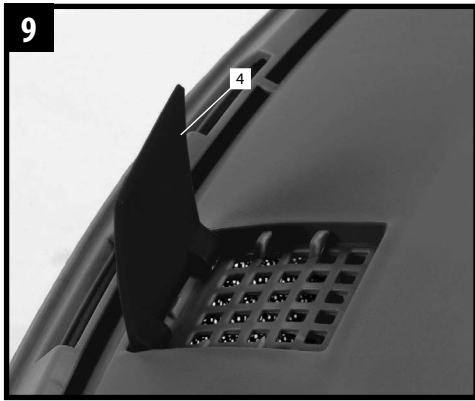
## AFTER SALES SUPPORT



1300 922 271



service.australia@isc-gmbh.info



**AFTER SALES SUPPORT**



1300 922 271



service.australia@isc-gmbh.info

### Important!

When using equipment, a few safety precautions must be observed to avoid injuries and damage. Please read the complete operating manual with due care. Keep this manual in a safe place, so that the information is available at all times. If you give the equipment to any other person, give them these operating instructions as well.

We accept no liability for damage or accidents which arise due to non-observance of these instructions and the safety information.

## Safety Information

# 1

### CAUTION!

**Read all safety regulations and instructions.** Any errors made in following the safety regulations and instructions may result in an electric shock, fire and/or serious injury.

**Keep all safety regulations and instructions in a safe place for future use.**

### Explanation of the warning signs on the equipment (see Fig. 12)

1. Read the operating instructions before operating the equipment.
2. Keep other people out of the danger area!
3. Caution: Sharp blades! Take out the battery before carrying out any repair work. The blades will continue to rotate after the motor is switched off.

### General safety regulations for this electrical tool

- This equipment is not designed to be used by people (including children) with limited physical, sensory or mental capacities or those with no experience and/or knowledge unless they are supervised by a person who is responsible for their safety or they have received instructions from such a person in how to use the equipment safely.
- Children must always be supervised in order to ensure that they do not play with the equipment.

### Safety instructions for lawn mower

- Check the machine for signs of damage before use. Repairs may only be carried out by our service workshop. If unusual vibrations occur during use, switch the machine off immediately and remove the battery. Check the cutters

and clean them if necessary. If the machine continues to vibrate, switch it off, and remove the battery. Call the customer service centre on 1300922271.

- The machine must not be tipped whilst it is being started. Both hands must be on the handle when you start the machine.
- Worn parts may only be replaced by our service workshop. If necessary contact the service address provided.

### WARNINGS

- Do not touch the cutters until the battery has been removed from the machine and the cutters have reached a complete standstill.
- Remove the battery from the machine:
  - whenever you leave the machine unattended;
  - before released a blocked cutter;
  - before inspecting or cleaning and before working on the machine;
  - if a foreign body has been struck;
  - whenever the machine starts to vibrate oddly.
- Carefully read the instructions for how to operate the machine safely.

### Note

- a. Read the directions with due care. Familiarise yourself with the operator controls and proper operation of the machine.
- e. Never allow children or other persons who are not familiar with the operating instructions to use the mower. Contact your local government agency for information regarding minimum age requirements for the user.
- f. Never mow in the direct vicinity of persons - especially children - or animals.
- g. Always keep in mind that the operator or user of the equipment is responsible for accidents involving other persons and/or their property.

### Preliminary measures

- a. Always wear sturdy, non-slip footwear and long trousers when mowing. Never mow barefoot or in sandals.
- b. Check the ground on which the equipment will be used and remove all objects that could be caught up or violently flung out.
- c. Before using the mower, visually inspect it to ensure that the blade, mounting bolts and the entire cutting apparatus are in good working order (i.e. not worn out or damaged). To prevent any imbalance, replace worn out or damaged



blades and mounting bolts as a set only (if applicable).

- d. Remember that if the machine has several cutting tools, the movement of one cutting tool may result in the other cutting tools starting to rotate.

### Handling

- a. Only mow in broad daylight or in well-lit conditions.
- b. Do not use the machine on wet grass.
- c. Always maintain good footing on inclines.
- d. Only operate the machine at a walking pace.
- e. Always mow across hills i.e. never straight up or straight down.
- f. Be particularly careful when you change direction on a slope.
- g. Do not mow on overly steep inclines.
- h. Always be extra careful when turning the mower around and when pulling it towards you.
- i. Switch the mower off, remove the battery and wait until the cutters have reached a complete standstill if you need to tip the mower over, transport it over surfaces other than grass and if the mower has to be moved from and to the area you wish to mow.
- j. Never use the lawn mower if the guards are damaged or without the attached guards, e.g. deflectors and/or grass catching devices.
- k. Use the ON/OFF switch carefully as described in the manufacturer's instructions. Make sure that your feet are far enough away from the mower blade!
- l. The lawn mower should not be tilted when the motor is switch on unless it has to be raised for starting purposes. In this case, tilt it as little as absolutely necessary and only raise the side opposite to that of the user.
- m. Do not switch on the mower if you are positioned in front of the chute.
- n. Never move your hands or feet toward or under any rotating parts. Keep clear of the chute opening at all times.
- o. Never lift or carry a lawn mower with the engine running.
- p. Switch off the motor and remove the battery: before you dislodge any blockages or clogs in the chute. Before carrying out any checks, cleaning, maintenance or other work on the lawn mower

if you have struck a foreign object. Examine the mower for signs of damage and carry out any necessary repairs before restarting and continuing to work with the mower. If the lawn mower begins to experience exceptionally strong vibrations, immediately switch it off and check it.

- q. Switch off the mower and remove the battery whenever you leave the mower.

### Maintenance and storage

- a. Make sure that all nuts, bolts and screws are tightened securely and that the machine is in safe working condition.
- b. Allow the mower to cool before you put it into an enclosed area.
- c. To avoid the risk of fire, keep the motor housing and ventilation slots clear of grass, leaves, oil and grease.
- d. Routinely check the grass catcher for signs of wear and impaired functionality.
- e. For your own safety, have worn or damaged parts replaced without delay.
- f. Take care not to jam your fingers between moving blades and stationary parts of the equipment while you are adjusting the equipment.
- g. While you are carrying out maintenance work on the blades, remember that the blades can still be moved even if the power source has been switched off.

### CAREFUL HANDLING AND USE OF CORDLESS EQUIPMENT

- Ensure that the equipment is switched off before you insert the battery.
- Inserting a battery into an electric tool that is switched on can cause accidents.
- Only charge the batteries in chargers that are recommended by the manufacturer. A charger that is designed for a certain type of batteries may pose a fire risk if it is used with other types of batteries.
- Use only the correct batteries in the electric tools. The use of other batteries may result in injuries and a fire risk.
- Keep unused batteries away from paper clips, coins, keys, nails, screws and other metallic objects that could cause a short circuit between the contacts. A short circuit between the battery contacts may cause burns or a fire.
- In case of incorrect use, fluid may escape from the battery. Avoid contact with it. If you touch it by mistake, rinse the affected area with water. If you get the fluid in your eyes, also seek medical advice. Leaking battery fluid can cause skin irritation or burns.

## AFTER SALES SUPPORT



1300 922 271



service.australia@isc-gmbh.info



### Additional safety instructions

We pay a great deal of attention to the design of every battery pack to ensure that we supply you with batteries which feature maximum power density, durability and safety. The battery cells have a wide range of safety devices. Each individual cell is initially formatted and its electrical characteristic curves are recorded. These data are then used exclusively to be able to assemble the best possible battery packs.

**Despite all the safety precautions, caution must always be exercised when handling batteries.**

**The following points must be obeyed at all times to ensure safe use. Safe use can only be guaranteed if undamaged cells are used. Incorrect handling can cause cell damage.**

**Important:** Analyses confirm that incorrect use and poor care are the main causes of the damage caused by high performance batteries.

### Information about the battery

1. The battery pack supplied with your cordless tool is not charged. The battery pack has to be charged before you use the tool for the first time.
2. For optimum battery performance avoid low discharge cycles. Charge the battery pack frequently.
3. Store the battery pack in a cool place, ideally at 15°C and charged to at least 40%.
4. Lithium-ion batteries are subject to a natural ageing process. The battery pack must be replaced at the latest when its capacity falls to just 80% of its capacity when new. Weakened cells in an aged battery pack are no longer capable of meeting the high power requirements and therefore pose a safety risk.
5. Do not throw battery packs into an open fire. There is a risk of explosion!
6. Do not ignite the battery pack or expose it to fire.
7. **Do not exhaustively discharge batteries.** Exhaustive discharge will damage the battery cells. The most common cause of exhaustive discharge is lengthy storage or non-use of partly discharged batteries. Stop working as soon as the performance of the battery falls noticeably or the electronic protection system triggers. Place the battery pack in storage only after it has been fully charged.
8. **Protect batteries and the tool from overloads.** Overloads will quickly result in overheating and cell damage inside the battery housing without this overheating actually being apparent externally.

9. **Avoid damage and shocks.** Replace batteries which have been dropped from a height of more than one metre or which have been exposed to violent shocks without delay, even if the housing of the battery pack appears to be undamaged. The battery cells inside the battery may have suffered serious damage. In this respect, please also read the waste disposal information.
10. If the battery pack suffers overloading and overheating, the integrated protective cut-off will switch off the equipment for safety reasons.  
**Important.** Do not press the ON/OFF switch any more if the protective cut-off has actuated. This may damage the battery pack.
11. Use only original battery packs. The use of other batteries may result in injuries, explosion and a fire risk.

### Information on chargers and the charging process

1. Please check the data marked on the rating plate of the battery charger. Be sure to connect the battery charger to a power supply with the voltage marked on the rating plate. Never connect it to a different mains voltage.
2. Protect the battery charger and its cable from damage and sharp edges. Have damaged cables repaired without delay by a qualified electrician.
3. Keep the battery charger, batteries and the cordless tool out of children's reach.
4. Do not use damaged battery chargers.
5. Do not use the supplied battery charger to charge other cordless tools.
6. In heavy use the battery pack will become warm. Allow the battery pack to cool to room temperature before commencing with the charging.
7. Do not over-charge batteries.  
**Do not exceed the maximum charging times.** These charging times only apply to discharged batteries. Frequent insertion of a charged or partly charged battery pack will result in over-charging and cell damage. Do not leave batteries in the charger for days on end.
8. Never use or charge batteries if you suspect that the last time they were charged was more than 12 months previously. There is a high probability that the battery pack has already suffered dangerous damage (exhaustive discharge).



9. Charging batteries at a temperature below 10°C will cause chemical damage to the cell and may cause a fire.
10. Do not use batteries which have heated during the charging process, as the battery cells may have suffered dangerous damage.
11. Do not use batteries which have suffered curvature or deformation during the charging process or which show other non-typical symptoms (gassing, hissing, cracking, etc).
12. **Never fully discharge the battery pack** (recommended depth of discharge max. 80%) A complete discharge of the battery pack will lead to premature ageing of the battery cells.
13. Never charge the batteries unsupervised.

#### Protection from environmental influences

1. Wear suitable work clothes. Wear safety goggles.
2. Protect your cordless tool and the battery charger from moisture and rain. Moisture and rain can cause dangerous cell damage.
3. Do not use the cordless tool or the battery charger near vapors and inflammable liquids.
4. Use the battery charger and cordless tools only in dry conditions and an ambient temperature of 10-40°C.
5. Do not keep the battery charger in places where the temperature is likely to reach over 40°C. In particular, do not leave the battery charger in a car that is parked in the sunshine.
6. Protect batteries from overheating. Overloads, over-charging and exposure to direct sunlight will result in overheating and cell damage. Never charge or work with batteries which have been overheated – replace them immediately if possible.
7. Storage of batteries, battery chargers and cordless tools. Store the charger and your cordless tool only in dry places with an ambient temperature of 10-40°C. Store your lithium-ion battery pack in a cool, dry place at a temperature of 10-20°C. Protect them from humidity and direct sunlight. Only place fully charged batteries in storage (charged at least 40%).
8. Prevent the lithium-ion battery pack from freezing. Battery packs which were stored below 0°C for more than 60 minutes must be disposed of.
9. When handling batteries beware of electrostatic charge: Electrostatic discharges cause damage of the electronic protection system and the battery cells. Avoid electrostatic charging and never touch the battery poles.



Batteries contain substances harmful to the environment. Never place batteries in your household refuse, in fire or in water. Batteries should be collected, recycled or disposed of in an environmentally friendly way. Seek advice on correct disposal from local waste authorities.

Do not lose this safety information.

## Layout (Fig. 1/2)

# 2

1. On/Off handle
2. Safety lock-off
3. Quick lock lever for upper push bar
4. Indicator for grass catcher
5. Grass catcher
6. Quick lock wheel for lower push bar
7. Ejector flap
8. Locking button for battery cover
9. Battery cover
10. Height adjustment lever
11. Battery
12. Charger
13. Pushbutton for battery indicator
14. Battery indicator
15. Safety Plug

## Items Supplied

# 3

- Open the packaging and take out the equipment with care.
- Remove the packaging material and any packaging and/or transportation braces (if applicable).
- Check to see if all items are supplied.
- Inspect the equipment and accessories for transport damage.
- If possible, please keep the packaging until the end of the warranty period.

## AFTER SALES SUPPORT



1300 922 271



service.australia@isc-gmbh.info

10

MODEL NUMBER: GL-CM 36 Li, 02/14

### Important!

**The equipment and packaging material are not toys. Do not let children play with plastic bags, foils or small parts.**

**There is a danger of swallowing or suffocating!**

- Cordless Lawn Mower
- Push bar
- 36V; 2.6Ah Battery
- Charger
- Grass catcher
- Instruction Guide
- Quick Start Guide
- Warranty Certificate
- Warranty Sticker

## Intended Use

# 4

The equipment may only be used for the tasks it is designed to handle. Any other use is deemed to be a case of misuse. The user/operator and not the manufacturer will be liable for any damage or injuries of any kind caused as a result of this.

The lawn mower is intended for private use i.e. for use in home and gardening environments.

Private use of the lawn mower refers an annual operating time generally not exceeding that of 50 hours, during which time the machine is primarily used to maintain small-scale, residential lawns and home/hobby gardens. Public facilities, sporting halls, and agricultural/forestry applications are excluded. Please note that our equipment has not been designed for use in commercial, trade or industrial applications. Our warranty will be voided if the machine is used in commercial, trade or industrial businesses or for equivalent purposes.

The operating instructions as supplied by the manufacturer must be kept and referred to in order to ensure that the lawn mower is properly used and maintained. The instructions contain valuable information on operating, maintenance and servicing conditions.

**Important!** Due to the high risk of bodily injury to the user, the lawn mower may not be used to trim bushes, hedges or shrubs, to cut scaling vegetation, planted roofs, or balcony-grown grass, to clean (suck up) dirt and debris off walkways, or to chop up tree or hedge clippings. Moreover, the lawn mower may not be used as a power cultivator to level out high areas such as molehills.

For safety reasons, the lawn mower may not be used as a drive unit for other work tools or toolkits of any kind.

## Technical Data

# 5

Battery Voltage	36V DC
Capacity	2.6 Ah
Charger output voltage	42V DC
Charger current voltage	2 A
No load speed	3500 rpm
Cutting width	38 cm
Cutting height adjustment	20-70 cm, 6 levels
Volume of grass catcher	35 L
Weight	16.8 kg
Charging time	100 min

### Sound and Vibration

Sound pressure level LpA	80 dB(A)
Uncertainty KpA	3 dB
Sound power level LWA	96 dB(A)
Uncertainty KWA	3 dB

Wear ear-protection.

The impact of noise can cause damage to hearing.

### Functions

Vibration emission value ah: 1.48 m/s<sup>2</sup>

K uncertainty = 1.5 m/s<sup>2</sup>

### Reduce noise generation and vibration to a minimum!

- Use only equipment that is in perfect condition.
- Maintain and clean the equipment regularly.
- Adopt your way of working to the equipment.
- Do not overload the equipment.
- Have the equipment checked if necessary.
- Switch off the equipment when not in use.
- Wear gloves.

## AFTER SALES SUPPORT



1300 922 271



service.australia@isc-gmbh.info

# Before starting the equipment **6**

## 6.1 Assembly

### 6.1.1 Fitting the push bar (Fig. 3 & 4)

The push bar is fully pre-assembled and must only be swung out and adjusted to the required height. To do so, undo the quick lock levers for the upper push bar (Figure 3/Item 3) and unfold the top push bar. Then secure the top push bar again with the quick lock levers. Now release the quick-lock wheels for the lower push bar (Figure 4/Item 6) by turning them, move the push bar to the required position and secure by turning the wheels in the opposite direction.

### 6.1.2 Fitting the grass catcher (Fig. 5)

To assemble the grass catcher, insert the lugs of the left side of the grass catcher carefully into the openings on the right side of the grass catcher and push the two parts together. Then insert the lugs of the upper part of the catcher carefully into the openings on the just assembled lower part of the catcher and push the two parts together. Before you fit the grass catcher (Fig. 5/Item 5) you must ensure that the motor is switched off and the blade is not rotating. Lift the ejector flap (Fig. 5/Item 7) with one hand. With the other hand, hold the grass catcher (Fig. 5/Item 5) by the handle and hook it in from above (Fig. 5).

### 6.1.3 Setting the cutting height ( Fig. 6)

**Important.** Adjust the cutting height only when the motor is switched off and the safety plug (Fig. 8/Item 15) has been pulled. The cutting height is adjusted as shown in Figure 6.

To do so, pull the lever of the cutting height adjustment (Figure 6/Item 10) out, select the required cutting height by moving the lever to the left or right and push back the lever to one of the six graduations (Figure 6). Make sure that the lever engages properly.

- **Position 1**  
Cutting height: 20 mm
- **Position 2**  
Cutting height: 30 mm
- **Position 3**  
Cutting height: 40 mm
- **Position 4**  
Cutting height: 50 mm
- **Position 5**  
Cutting height: 60 mm
- **Position 6**  
Cutting height: 70 mm

Before you begin to mow, check to ensure that the blade is not blunt and that none of the fasteners are damaged. To prevent any imbalance replace blunt and/or damaged blades (contact our customer service centre on 1300 922 271). To carry out this check, first switch off the motor and pull out the safety plug.

### 6.2 Battery (Fig. 2a/ Item 11)

The equipment is fitted with a lithium-ion battery. The battery pack is completely closed and maintenance free.

#### 6.2.1 Battery charge level indicator (Fig. 2a/Item 14)

The battery pack is equipped with a pushbutton for checking the charge level. Simply press the pushbutton (Figure 2a/Item 13) to read off the battery level from the LEDs of the battery indicator (Fig. 2a/ Item 14):

- All 3 level monitoring LEDs are lit: Battery charge level is high.
- 2 level monitoring LEDs are lit: Battery charge level is decreasing. Stop work as soon as possible.
- 1 level monitoring LED is lit: Battery is flat. Stop work IMMEDIATELY and charge the battery. Otherwise the battery's service life will be greatly shortened.

#### 6.2.2 Charging the battery

- Open the battery cover (Figure 7/Item 9) by pressing the locking button on (Fig. 7/ Item 8) of the compartment and swinging up the cover (Figure 7)
- Pull the pushlock button (Fig. 8/ Item c) and pull the battery pack (11) up and out of the equipment.
- Check that your mains voltage is the same as that marked on the rating plate of the battery charger. Insert the power plug of the charger into the mains socket outlet. The LED A (Fig. 2b) will then illuminate in green.
- Push the battery onto the charger as shown in Fig. 2a. The LED B will illuminate in red while LED A is still green (Fig. 2b).
- The battery is fully charged when LED A and B (Fig. 2b) are illuminated in green.
- Pull the pushlock button (Fig. 2a/ Item c) and pull the battery pack (11) out of the charger.

If the rechargeable battery pack fails to charge, check whether there is voltage at the socket outlet. If you still fail to charge the battery pack, please call our customer service centre on 1300 922 271. Timely recharging of the battery will help it serve you well for a long time. You must recharge the battery pack when you notice that the power of the equipment drops.



Never allow the battery pack to become fully discharged. This will cause it to develop a defect.

### 6.3 Filling level indicator of the grass catcher (Figure 9 & 10)

The grass catcher is equipped with a filling level indicator (Fig. 9/Item 4) which is opened by the airflow that the lawn mower generates during operation. If the flap closes during mowing (Fig. 10), the grass catcher is full and must be emptied. To ensure the proper functioning of the filling level indicator, the holes under the flap must always be kept clean and permeable.

## Operations

# 7

### 7.1 Starting the Lawn Mower

#### Important.

The lawn mower is equipped with a safety circuit to prevent unauthorised use. Directly before starting up the lawn mower insert the safety plug (Figure 8/Item 15) and remove the safety plug again whenever you interrupt or terminate your work.

To prevent the equipment switching on accidentally, the lawn mower is equipped with a safety lock-off (Figure 1/Item 2) which must be pressed before the ON/OFF handle (Figure 1/Item 1) can be activated. The lawn mower switches itself off when the ON/OFF handle is released (Fig.1/Item 1). Repeat this process several times so that you are sure that the equipment functions properly.

Before you perform any repair or maintenance work on the equipment, ensure that the blade is not rotating and that the safety plug is disconnected.

**Important. Never open the ejector flap when the grass catcher has been detached (to be emptied) and the motor is still running. A rotating blade can cause serious injuries!**

Always carefully fasten the ejector flap and grass catcher. Switch off the motor before emptying the grass catcher. Always ensure that a safe distance (provided by the length of the long handles) is maintained between the user and the mower housing. Be especially careful when mowing and changing direction on slopes and inclines. Maintain a solid footing and wear sturdy, non-slip footwear and long trousers.

Always mow along the incline (not up and down). For safety reasons, the lawn mower may not be used to mow inclines whose gradient exceeds 15 degrees. Use special caution when backing up and pulling the lawn mower. Tripping hazard!

## Cleaning, Maintenance and Ordering Spare Parts

# 8

**Pull the safety plug before carrying out any cleaning work (Figure 8/Item 15).**

### 8.1 Cleaning

- Keep all safety devices, air vents and the motor housing free of dirt and dust as far as possible.
- Wipe the equipment with a clean cloth or blow it down with compressed air at low pressure.
- We recommend that you clean the equipment immediately after you use it.
- Clean the equipment regularly with a damp cloth and some soft soap. Do not use cleaning agents or solvents; these may be aggressive to the plastic parts in the equipment. Ensure that no water can get into the interior of the equipment.
- Do not clean the lawn mower with running water, particularly with high-pressure water.
- At the end of the season, perform a general inspection of the lawn mower and remove any grass and dirt which may have accumulated.
- At the start of each season, ensure that you check the condition of the blade. If repairs are necessary, please contact our customer service centre on 1300 922 271.

### 8.2 Servicing

- Ensure that all mounting components (i.e. screws, bolts, nuts etc.) are always tightened so that the equipment can be safely operated at all times.
- Frequently check the grass catch assembly for signs of wear.
- Replace excessively worn or damaged parts immediately.
- In order to ensure that you enjoy your equipment for many years to come, all screwed parts, as well as the wheels and axles, should be cleaned and lubricated.
- There are no parts inside the equipment which require additional maintenance.

### 8.3 Replacing the blade

- The cutting components - i.e. the knife cage and lower knife blade - are subjected to more wear and tear than any other component of the unit. Therefore, routinely check the condition of the blade and make sure that it is tightly fastened. If the blade is completely worn out, it must be immediately replaced or ground sharp again. An excessively vibrating mower means that the blade is not properly balanced or has become deformed from striking an object. In this case, the blade must be repaired or replaced.
- For safety reasons, we recommend having the blade replaced by an authorised professional.



**Important. Wear work gloves! Only replace the blade with a suitable Einhell replacement blade, as this will ensure top performance and safety under all conditions.**

**Carry out the following steps to change the blade:**

1. Undo the fastening screw (Figure 11/Item F).
2. Remove the blade and replace with a new one.
3. When fitting the blade (Figure 11/Item D), make sure it is installed in the right direction. The blade's air vanes must jut into the motor compartment (see Fig. 11).
4. Now fit the washer (Figure 11/Item E) onto the axle and insert the fastening screw. (Fig.11/Item F)
5. Then retighten the fastening screw with the universal wrench. The tightening torque should be approx. 25 Nm.

#### **8.4 Ordering replacement parts**

Please call our customer service centre on 1300 922 271 and provide the following information on all orders for spare parts:

- Model/type of the equipment
- Article number of the equipment
- ID number of the equipment
- Spare part number of the required spare part

## **Storage and Transport**

# 9

Store the equipment and accessories out of children's reach in a dark and dry place at above freezing temperature. The ideal storage temperature is between 0-40°C for the cordless tool and charger and between 10 and 20°C for the Li-Ion battery. Store the electric tool in its original packaging.

## **Disposal and Recycling**

# 10

The equipment is supplied in packaging to prevent it from being damaged in transit. The raw materials in this packaging can be reused or recycled. The equipment and its accessories are made of various types of material, such as metal and plastic. Defective components must be disposed of as special waste. Ask your local council.

## **AFTER SALES SUPPORT**



1300 922 271



service.australia@isc-gmbh.info

Fault	Possible Causes	Remedy
Motor does not start	<ul style="list-style-type: none"> <li>a) Capacitor defective</li> <li>b) battery pack empty</li> <li>c) Cable defective</li> <li>d) Switch/plug block defective</li> <li>e) Motor terminals or capacitor disconnected</li> <li>f) Mower standing in high grass</li> <li>g) The mower housing is clogged</li> <li>h) Safety plug is not inserted</li> <li>i) Battery is not correctly inserted</li> </ul>	<ul style="list-style-type: none"> <li>a) By customer service centre</li> <li>b) Charge battery pack</li> <li>c) Check the cable</li> <li>d) By customer service center</li> <li>e) By customer service center</li> <li>f) Start motor on shorter grass or already mowed area; change cutting height if necessary</li> <li>g) Clean housing so that the blade can run freely (ensure safety plug is removed)</li> <li>h) Insert safety switch (see 7.)</li> <li>i) Remove the battery and reinsert</li> </ul>
Motor performance drops	<ul style="list-style-type: none"> <li>a) Grass too tall or damp</li> <li>b) The mower housing is clogged</li> <li>c) Blades badly worn</li> <li>d) Battery performance decreasing</li> </ul>	<ul style="list-style-type: none"> <li>a) Correct the cutting height</li> <li>b) Clean housing</li> <li>c) Replace blades</li> <li>d) Check the battery performance and charge the battery if necessary (see 6.2)</li> </ul>
Unclean cuts	<ul style="list-style-type: none"> <li>a) Blades worn</li> <li>b) Wrong cutting height</li> </ul>	<ul style="list-style-type: none"> <li>a) Replace or sharpen the blade</li> <li>b) Correct the cutting height</li> </ul>

Important. For protection, the motor is equipped with a thermal switch which cuts out when the motor is overloaded and switches on again automatically after a short cooling period.



GARDENLINE® is a registered trademark of ALDI Stores.

**ALDI Guarantee**

Specially made for ALDI Stores to our stringent quality specifications. If you are not entirely satisfied with this product, please return it to your nearest ALDI Store, within 60 days from the date of purchase, for a full refund or replacement, or take advantage of our after sales support by calling the Customer Service Hotline.

ALDI STORES  
1 SARGENTS ROAD  
MINCHINBURY NSW 2770  
[www.aldi.com.au](http://www.aldi.com.au)

02/2014  
Art.Nr: 34.130.70-11013

**AFTER SALES SUPPORT**



1300 922 271



[service.australia@isc-gmbh.info](mailto:service.australia@isc-gmbh.info)