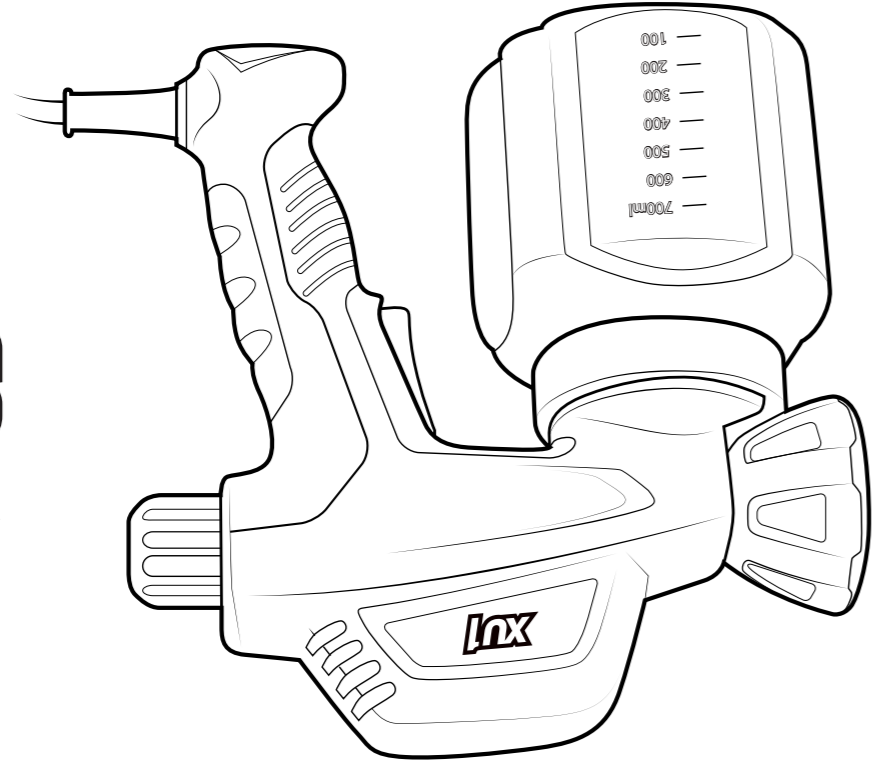


Original Instructions

XSG-100U



**REPLACEMENT WARRANTY
12 MONTHS HOME USE**



ISC GmbH · Eschenstraße 6 · D-94405 Landau/Isar

explains the following conformity according to EU directives and norms for the following product



Spray Gun XSG-100U (XU1)

- | | |
|---|---|
| <input type="checkbox"/> 2014/29/EU | <input checked="" type="checkbox"/> 2006/42/EC |
| <input type="checkbox"/> 2005/32/EC_2009/125/EC | <input type="checkbox"/> Annex IV |
| <input type="checkbox"/> 2014/35/EU | Notified Body: |
| <input type="checkbox"/> 2006/28/EC | Notified Body No.: |
| <input checked="" type="checkbox"/> 2014/30/EU | <input type="checkbox"/> 2000/14/EC_2005/88/EC |
| <input type="checkbox"/> 2014/32/EU | <input type="checkbox"/> Annex V |
| <input type="checkbox"/> 2014/53/EC | <input type="checkbox"/> Annex VI |
| <input type="checkbox"/> 2014/68/EU | Noise: measured L _{WA} = dB (A); guaranteed L _{WA} = dB (A) |
| <input type="checkbox"/> 90/396/EC_2009/142/EC | P = KW; L/O = cm |
| <input type="checkbox"/> 89/686/EC_96/58/EC | Notified Body: |
| <input checked="" type="checkbox"/> 2011/65/EU | <input type="checkbox"/> 2012/46/EU |
| | Emission No.: |

**Standard references: EN 60745-1; EN 50580; EN 62321;
EN 55014-1; EN 55014-2; EN 61000-3-2; EN 61000-3-3**

Landau/Isar, den 01.08.2017

Weichselgartner/Geschäfts-Manager

Dong/Product-Management

First CE: 17
Art.-No.: 30.001.62 L-No.: 11017
Subject to change without notice

Archive-File/Record: NAPR017202
Documents registrar: R. Gehard
Wiesenweg 22, D-94405 Landau/Isar

XU1 Power tools

Telephone: GB: 0151 294 4488 / IRL: 1850 882711

SAFETY INSTRUCTIONS

ALWAYS WEAR EYE, FACE AND EAR PROTECTION

When operating the tool

Check that the switch is in the "OFF" position before connecting to the power supply. Switch to "OFF" immediately after completion of the task.

Keep the mains cable away from any moving parts or accessories.

Never cover the ventilation slots in the tool.

Electrical safety

Before you connect the charger to the mains supply make sure that the data on the rating plate are identical to the mains data.

This tool is double insulated; therefore no earth wire is required.

Using an extension lead

Always use an approved extension lead suitable for the power input of this tool. Before use, inspect the extension lead for signs of damage, wear and ageing. Replace the extension lead if damaged or defective.

When using an extension lead on a reel, always unwind the lead completely. Use of an extension lead not suitable for the power input of the tool or which is damaged or defective may result in a risk of fire and electric shock.

The power supply for this product should be protected by a residual current device (rated at 30mA or less). A residual current device reduces the risk of electric shock.

If the supply cord is damaged, it must be replaced by the manufacturer, its service agent or similarly qualified persons in order to avoid a hazard.

Description of symbols

Danger! - Read the operating instructions to reduce the risk of injury

Caution! Wear ear-muffs. The impact of noise can cause damage to hearing.

Caution! Wear a breathing mask. Dust which is injurious to health can be generated when working on wood and other materials. Never use the device to work on any materials containing asbestos!

Wear eye protection

Caution! Wear gloves.

Note! Disassemble and clean the equipment immediately after each use. This is the only way to keep the wetted parts clean and prevent clogging. Parts that are not cleaned can become clogged, causing an equipment fault.

Double insulated (Protection Class II)

General Power Tool Safety Warnings

WARNING! Read all safety warnings and all instructions. Failure to follow the warnings and instructions may result in electric shock, fire and/or serious injury. **Save all warnings and instructions for future reference.** The term "power tool" in all of the warnings refers to your mains-operated (corded) power tool or battery-operated (cordless) power tool.

1. Work area safety

- Keep work area clean and well lit.** Cluttered or dark areas invite accidents.
- Do not operate power tools in explosive atmospheres, such as in the presence of flammable liquids, gases or dust.** Power tools create sparks which may ignite the dust or fumes.
- Keep children and bystanders away while operating a power tool.** Distractions can cause you to lose control.

2. Electrical safety

- Power tool plugs must match the outlet. Never modify the plug in any way. Do not use any adapter plugs with earthed (grounded) power tools.** Unmodified plugs and matching outlets will reduce risk of electric shock.
- Avoid body contact with earthed or grounded surfaces, such as pipes, radiators, ranges and refrigerators.** There is an increased risk of electric shock if your body is earthed or grounded.
- Do not expose power tools to rain or wet conditions.** Water entering a power tool will increase the risk of electric shock.
- Do not abuse the cord. Never use the cord for carrying, pulling or unplugging the power tool. Keep cord away from heat, oil, sharp edges or moving parts.** Damaged or entangled cords increase the risk of electric shock.
- When operating a power tool outdoors, use an extension cord suitable for outdoor use.** Use of a cord suitable for outdoor use reduces the risk of electric shock.
- If operating a power tool in a damp location is unavoidable, use a residual current device (RCD) protected supply.** Use of an RCD reduces the risk of electric shock.

3. Personal safety

- Stay alert, watch what you are doing and use common sense when operating a power tool. Do not use a power tool while you are tired or under the influence of drugs, alcohol or medication.** A moment of inattention while operating power tools may result in serious personal injury.
- Use personal protective equipment. Always wear eye protection.** Protective equipment such as dust mask, non-skid safety shoes, hard hat, or hearing protection used for appropriate conditions will reduce personal injuries.
- Prevent unintentional starting. Ensure the switch is in the off-position before connecting to power source and/or battery pack, picking up or carrying the tool.** Carrying power tools with your finger on the switch or energising power tools that have the switch on invites accidents.
- Remove any adjusting key or wrench before turning the power tool on.** A wrench or a key left attached to a rotating part of the power tool may result in personal injury.
- Do not overreach. Keep proper footing and balance at all times.** This enables better control of the power tool in unexpected situations.

- Dress properly. Do not wear loose clothing or jewellery. Keep your hair, clothing and gloves away from moving parts.** Loose clothes, jewellery or long hair can be caught in moving parts.
- If devices are provided for the connection of dust extraction and collection facilities, ensure these are connected and properly used.** Use of dust collection can reduce dust-related hazards.
- Do not let familiarity gained from frequent use of tools allow you to become complacent and ignore tool safety principles.** A careless action can cause severe injury within a fraction of a second.

4. Power tool use and care

- Do not force the power tool. Use the correct power tool for your application.** The correct power tool will do the job better and safer at the rate for which it was designed.
- Do not use the power tool if the switch does not turn it on and off.** Any power tool that cannot be controlled with the switch is dangerous and must be repaired.
- Disconnect the plug from the power source and/or remove the battery pack, if detachable, from the power tool before making any adjustments, changing accessories, or storing power tools.** Such preventive safety measures reduce the risk of starting the power tool accidentally.
- Store idle power tools out of the reach of children and do not allow persons unfamiliar with the power tool or these instructions to operate the power tool.** Power tools are dangerous in the hands of untrained users.
- Maintain power tools and accessories. Check for misalignment or binding of moving parts, breakage of parts and any other condition that may affect the power tool's operation. If damaged, have the power tool repaired before use.** Many accidents are caused by poorly maintained power tools.
- Keep cutting tools sharp and clean.** Properly maintained cutting tools with sharp cutting edges are less likely to bind and are easier to control.
- Use the power tool, accessories and tool bits etc. in accordance with these instructions, taking into account the working conditions and the work to be performed.** Use of the power tool for operations different from those intended could result in a hazardous situation.
- Keep handles and grasping surfaces dry, clean and free from oil and grease.** Slippery handles and grasping surfaces do not allow for safe handling and control of the tool in unexpected situations.
- Service**
 - Have your power tool serviced by a qualified repair person using only identical replacement parts.** This will ensure that the safety of the power tool is maintained.

Spray Gun Safety Warnings

- Always disconnect the mains plug before doing any work on the equipment.
- You may only spray materials such as paint, lacquer, varnish, etc. which have a flash point above 55°C, without additional heating. (Hazard Class A II or A III, refer to material tin)
- Be aware of the hazards associated with the material you are spraying. Read the hazard information on the tin or the information provided by the manufacturer.
- Follow the manufacturer's safety precautions when working with the material you are spraying.
- Do not spray any materials if you do not know how hazardous they are.
- Use personal protective equipment (face mask) which filters the air to avoid inhalation of spray mist.
- Wear gloves and protective clothing to avoid skin contact with the paint.
- Wear suitable eye protection (goggles).
- The work area must exceed 30m³, and sufficient ventilation must be ensured during spraying and drying.
- Be aware that paint and lacquer can be highly inflammable and potentially explosive. There must be no ignition sources such as fireplaces, open flames, burning cigarettes or machines that generate sparks.
- The paint spray gun may not be used in premises where the explosion protection directive applies.
- When you are spraying, there must be no ignition sources nearby such as open flames, cigarette smoking, sparks, hot glowing wires, hot surfaces, etc.
- The paint spray gun must not be used to spray flammable substances.
- Flammable solvents must not be used to clean the paint spray gun.
- INJURY RISK! Never point the paint spray gun at yourself, other people or animals.
- Properly dispose of residual paint and cleaning agents in accordance with local laws and regulations.
- Residual paint must be taken to a suitable collection point. If you are not sure, ask the local council where the nearest collection point is.
- Do not allow children to handle the gun.
- Never open the gun to carry out electrical repairs.
- Spraying into the skin can introduce toxins into the body. Call a doctor immediately if the jet causes a skin injury or penetrates the skin.
- Children are not allowed to use this equipment. Children should be supervised so that they do not play with the equipment. Children are not allowed to carry out cleaning or maintenance.
- This equipment must not be used by persons with reduced physical, sensory or mental capacities or those with a lack of experience and knowledge.

Materials to be used:

1. Paints and varnishes containing solvents, acrylic enamel paints, water-soluble varnishes, glazes, polishes, wood preservatives, disinfectants, plant protectives, saturants, as well as oils and other watery liquids.

The following spray substances are not suitable for use:

Dispersion and latex paints, materials containing strong abrasives, glazes with coarse particles, strippers and caustic solutions, silicate paints.

Use of these spray materials can lead to increased wear or corrosion damage in the pump area.

SOUND AND VIBRATION

Danger!

Sound and vibration

Sound and vibration values were measured in accordance with EN 60745.

L _{PA} Sound Pressure Level:	87.0dB(A)
K _{PA} Uncertainty:	3 dB
L _{WA} Sound Power Level:	10.0dB(A)
K _{WA} Uncertainty:	3 dB

Wear ear-muffs.

The impact of noise can cause damage to hearing. Total vibration values (vector sum of three directions) determined in accordance with EN 60745.

Vibration Emission Value a _{h1} :	3.61m/s ²
K Uncertainty:	1.5m/s ²

The specified vibration value was established in accordance with a standardized testing method. It may change according to how the electric equipment is used and may exceed the specified value in exceptional circumstances. The specified vibration value can be used to compare the equipment with other electric power tools. The specified vibration value can be used for initial assessment of a harmful effect.

Keep the noise emissions and vibrations to a minimum.

- Only use appliances which are in perfect working order.
- Service and clean the appliance regularly.
- Adapt your working style to suit the appliance.
- Do not overload the appliance.
- Have the appliance serviced whenever necessary.
- Switch the appliance off when it is not in use.
- Wear protective gloves.



For EU countries only

Never place any electric power tools in your household refuse.

To comply with European Directive 2012/19/EC concerning old electric and electronic equipment and its implementation in national laws, old electric power tools have to be separated from other waste and disposed of in an environment-friendly fashion, e.g. by taking to a recycling depot.

Recycling alternative to the return request:

As an alternative to returning the equipment to the manufacturer, the owner of the electrical equipment must make sure that the equipment is properly disposed of if he no longer wants to keep the equipment. The old equipment can be returned to a suitable collection point that will dispose of the equipment in accordance with the national recycling and waste disposal regulations. This does not apply to any accessories or aids without electrical components supplied with the old equipment.

Subject to technical changes

MAINTENANCE

WARNING! Ensure the tool is disconnected from the power supply before performing any of the following operations.

CLEANING

Caution: The spray gun must not be cleaned by using flammable liquids with a flash point of less than 21°C.

After every use it is essential that you clean the gun thoroughly. This will prevent any blockages occurring and provide constant performance when you next come to use it.

When you have finished using the gun, empty any remaining liquid out of the paint pot. Rinse the pot with paint thinners and spray through the gun onto cardboard or newspaper.

Remove the paint pot and suction tube, nozzle and valve (the spring and piston will be attached to the cylinder). Lubricate the cylinder, piston, valve and suction tube with drops of a low-viscosity oil.

Assemble the parts back on the gun and briefly switch on (1-2 secs) to disperse the oil around the piston and cylinder. This practise will help prevent corrosion and keep parts lubricated for next use.

- If the housing of the gun requires cleaning dip a cloth in the paint thinners, ensuring the cloth is not dripping, wipe the exterior of the spray gun.
- Please be aware that certain parts of this spray gun will wear, eventually requiring replacement and that these parts are not covered by warranty. These parts include the atomiser valve, spray nozzles, piston and spring.
- Prior to storing the spray gun, ensure that it is completely dry. This will minimise residue build-up for the next use.

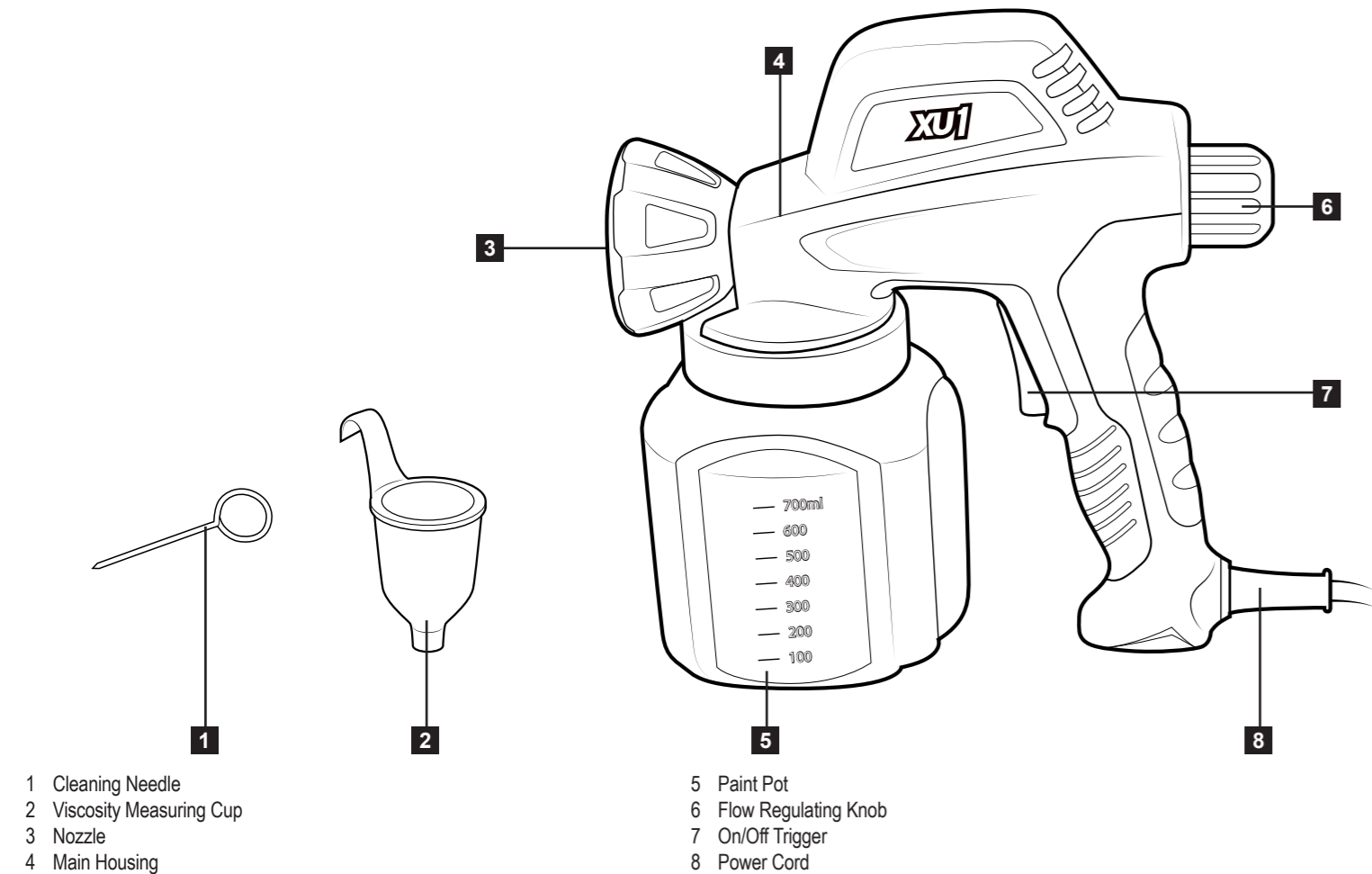
Note: XU1 will not be responsible for any damage or injuries caused by the repair of the tool by an unauthorised person or by mishandling of the tool.

SERVICE INFORMATION

Please note that the following parts of this product are subject to normal or natural wear and that the following parts are therefore also required for use as consumables.

Category	Example
Wear parts*	
Consumables*	Nozzle
Missing parts	

* Not necessarily included in the scope of delivery!



- 1 Cleaning Needle
- 2 Viscosity Measuring Cup
- 3 Nozzle
- 4 Main Housing

- 5 Paint Pot
- 6 Flow Regulating Knob
- 7 On/Off Trigger
- 8 Power Cord

SPECIFICATIONS

Input Voltage:	230-240V~50Hz
Maximum Output:	60W
Flow Rate (Water):	220ml/min
Max. Working Pressure:	130bar
Max. Viscosity:	30DIN-s
Nozzle Size:	0.8mm
Container Volume:	700ml
Protection Class:	II
Weight (Tool Only):	1.11kg

Items Supplied

Please check that the article is complete as specified in the scope of delivery. If parts are missing, please contact our service center or the sales outlet where you made your purchase at the latest within 5 working days after purchasing the product and upon presentation of a valid bill of purchase. Also, refer to the warranty table in the service information at the end of the operating instructions.

- Open the packaging and take out the equipment with care.
- Remove the packaging material and any packaging and/or transportation braces (if available).
- Check to see if all items are supplied.
- Inspect the equipment and accessories for transport damage.
- If possible, please keep the packaging until the end of the guarantee period.

Danger!

The equipment and packaging material are not toys. Do not let children play with plastic bags, foils or small parts. There is a danger of swallowing or suffocating!

Caution! Residual risks

Even if you use this electric power tool in accordance with instructions, certain residual risks cannot be ruled out. The following hazards may arise in connection with the equipment's construction and layout:

1. Lung damage if no suitable protective dust mask is used.
2. Damage to hearing if no suitable ear protection is used.
3. Health damage caused by hand-arm vibrations if the equipment is used over a prolonged period or is not properly guided and maintained.

USING YOUR SPRAY GUN

Suitable for spraying paints and lacquers.

The equipment is to be used only for its prescribed purpose. Any other use is deemed to be a case of misuse. The user / operator and not the manufacturer will be liable for any damage or injuries of any kind caused as a result of this.

Please note that our equipment has not been designed for use in commercial, trade or industrial applications. Our warranty will be voided if the machine is used in commercial, trade or industrial businesses or for equivalent purposes.

Before attempting to operate the machine, familiarise yourself with the controls and make sure you know how to stop the machine quickly in an emergency.

Save these instructions and other documents supplied with this machine for future reference.

PREPARATION

Thinning

Caution: The spray gun is to be used only for paints and solvents with a 21°C flashpoint or higher.

Thinning is particularly important when spraying. Most paints are supplied ready for brush application and need to be diluted sufficiently for spraying purposes.

Follow the manufacturer's guide for thinning in conjunction with a spray gun. If in doubt please consult the manufacturer of the paint. The viscosity cup supplied will help you determine the correct thickness of the paint. As some paints, wood preservatives and other sprayable materials contain particles and have different qualities, please ensure that when filling the paint pot on your spray gun, the paint is filtered through either a funnel with a filter on it, or through nylon tights or stockings. This will ensure no large particles enter the paint pot, therefore preventing blockages and providing you with trouble free spraying.

Ensure that a face mask, gloves, goggles and ear protectors are worn at all times when spraying.

Floetrol® is an acrylic paint conditioner that you can add to the paint pot which is for easy, trouble-free spraying. It helps thin your paint however also reduces wear and replacement cost of parts within the spray gun. It also reduces tip clogging avoiding freeze up in the trigger which gives you a professional finish. Floetrol® is available from Bunnings Warehouse.

Determining Viscosity

It is vital to determine the viscosity of the coating material to see if it is suitable to be used in the spray gun. Using a material that is of too high a viscosity may result in a chamber blockage which will prevent the spray gun from working effectively.

To determine the viscosity, the provided viscosity cup and a timer will be needed.

1. Stir the coating material thoroughly. Then dip the viscosity cup into the material and submerge to completely fill the cup.
2. Raise the cup back out of the tin and start timing as soon as the bottom of the cup is above the surface of the coating material.
3. Time how long it takes for the cup to empty.

The number of seconds it takes to empty directly equates to the viscosity; this measurement is referred to as DIN seconds (DIN-S). **FIG A**

If the spraying material is determined to be anything above 30 DIN-S the material will need to be thinned and tested again until a viscosity of 30 DIN-S or less is achieved. Refer to the container of the coating material for the manufacturer's instructions on how to thin the material and follow accordingly.

OPERATION

WARNING! Ensure the spray gun is disconnected from the mains power supply before removing the paint pot.

Filling the Paint Pot

Unscrew the paint pot from the spray gun. **FIG B**

While filling the pot with paint, filter the paint through a piece of nylon stocking or a funnel which incorporates a filter to remove any lumps or particles.

DO NOT OVERFILL. Fill up to the 700ml marking on the paint pot. Carefully screw the paint pot into the spray gun ensuring it is secure.

WARNING! The power supply for this product should be protected by a residual current device (rated at 30mA or less).

Switching On and Off

To turn on, squeeze the on/off trigger. **FIG C**

To turn off, release the on/off trigger.

Regulating the Spray Pattern

Before you start spraying, connect the unit to a power source and turn the regulating knob counter-clockwise to its maximum position. **FIG D**

Aim the spray gun at a scrap piece of material or cardboard and squeeze the on/off trigger. Wait for the unit to start spraying, then turn the regulating knob clockwise until the best spray pattern is reached. Rotating the regulating knob counterclockwise increases the output spray pattern.

A good spray pattern is achieved with a fine spray throughout the pattern. If you cannot obtain a good spray pattern then the paint being sprayed probably still requires further thinning.

Spraying Technique

Note: Do not operate the spray gun without any liquid in the pot otherwise the pump will sustain excessive wear and will void the warranty.

The spraying result depends considerably on how smooth and clean the surface is, before spraying has begun. For this reason the surface should be carefully prepared and kept free of dust. Surfaces and parts not to be sprayed should be masked by covering with sticky tape and newspaper. It is advisable to carry out a trial spraying onto cardboard or a similar surface to find the most suitable spray gun adjustments.

Note: Start spraying outside the surface to be sprayed and avoid stopping in the middle of the surface being sprayed.

1. To obtain the best results always keep the spray gun upright to prevent air from being sucked into the pump, which would result in an uneven spray.
2. Work from side to side keeping the spray gun at an even distance from the workpiece. The right distance will vary depending on the type of paint being sprayed, 20cm is suggested to start with and adjust if necessary. **FIG E**
3. The movement of the spray gun should be by the arm rather than the wrist to ensure that the space between the spray gun and surface remains the same throughout the operation. **FIG F** Uneven movement of the spray gun will produce an uneven finish.
4. Do not tip the spray gun more than a 45° angle. Material could flow into the motor housing and damage the sprayer. Always refill the paint pot before the paint level becomes lower than the pump intake.

Helpful Hints

- Do not spray outdoors on a windy day as the results may be unsatisfactory.
- Evenly control the speed of movement of the spray gun. A fast speed will give a thin coat and a slow speed will give a heavy coat.
- Only apply one coat at a time. If a further coat is required follow the paint manufacturer's instructions for re-coating and drying times.
- If spraying small areas or objects keep the output setting low as this will avoid excessive use of paint and will minimise overspray.
- When spraying large areas or objects, it is best to use a crisscross pattern, either from left to right then up or down or vice-versa. This will ensure maximum coverage.
- Avoid stopping and starting when spraying as this can lead to too much or not enough paint on a surface.
- To ensure edges are covered, commence spraying just to the side of an area being sprayed, continue and do not stop until the spray has gone past the opposite edge.

WARRANTY

All of our products undergo strict quality checks to ensure that they reach you in perfect condition. In the unlikely event that your device develops a fault, please contact our service department at the address shown on this guarantee card. You can also contact us by telephone using the customer service number shown. Please note the following terms under which guarantee claims can be made:

1. These warranty terms regulate additional warranty services, which the manufacturer mentioned below promises to buyers of its new products in addition to their statutory guarantee claims are not affected by this guarantee. Our guarantee is free of charge to you.
2. The warranty services only covers defects due to material or manufacturing faults on a product which you have bought from the manufacturer mentioned below are limited to either the rectification of said defects on the product or the replacement of the product, whichever we prefer. Please note that our devices are not designed for use in commercial, trade or professional applications. A guarantee contract will not be created if the device has been used by commercial, trade or industrial business or has been exposed to similar stresses during the guarantee period.

3. The following are not covered by our guarantee:
 - Damage to the device caused by a failure to follow the assembly instructions or due to incorrect installation, a failure to follow the operating instructions (for example connecting it to an incorrect mains voltage or current type) or a failure to follow the maintenance and safety instructions or by exposing the device to abnormal environmental conditions or by lack of care and maintenance.
 - Damage to the device caused by abuse or incorrect use (for example overloading the device or the use of unapproved tools or accessories), ingress of foreign bodies into the device (such as sand, stones or dust, transport damage), the use of force or damage caused by external forces (for example by dropping it).
 - Damage to the device or parts of the device caused by normal or natural wear or tear or by normal use of the device.

4. Your Product is guaranteed for a period of 12 months from the original date of purchase and is intended for DIY (Do It Yourself) use only. Warranty excludes consumable parts, for example: cutting blade. Guarantee claims should be submitted before the end of the guarantee period within two weeks of the defect being noticed. No guarantee claims will be accepted after the end of the guarantee period. The original guarantee period remains applicable to the device even if repairs are carried out or parts are replaced. In such cases, the work performed or parts fitted will not result in an extension of the guarantee period, and no new guarantee will become active for the work performed or parts fitted. This also applies if an on-site service is used.

IN ORDER TO MAKE A CLAIM UNDER THIS WARRANTY YOU MUST RETURN THE PRODUCT TO THE PLACE OF PURCHASE WITH YOUR REGISTER RECEIPT.

Please refer to the restrictions of this warranty concerning wearing parts, consumables and missing parts as set out in the service information in these operating instructions.

CUSTOMER SERVICE HELPLINE
GB: 0151 294 4488
IRL: 1850 882711

XU1
Unit 9 Stadium Court, Wirral International Business Park, Plantation Road, Bromborough, Wirral, CH62 3QG