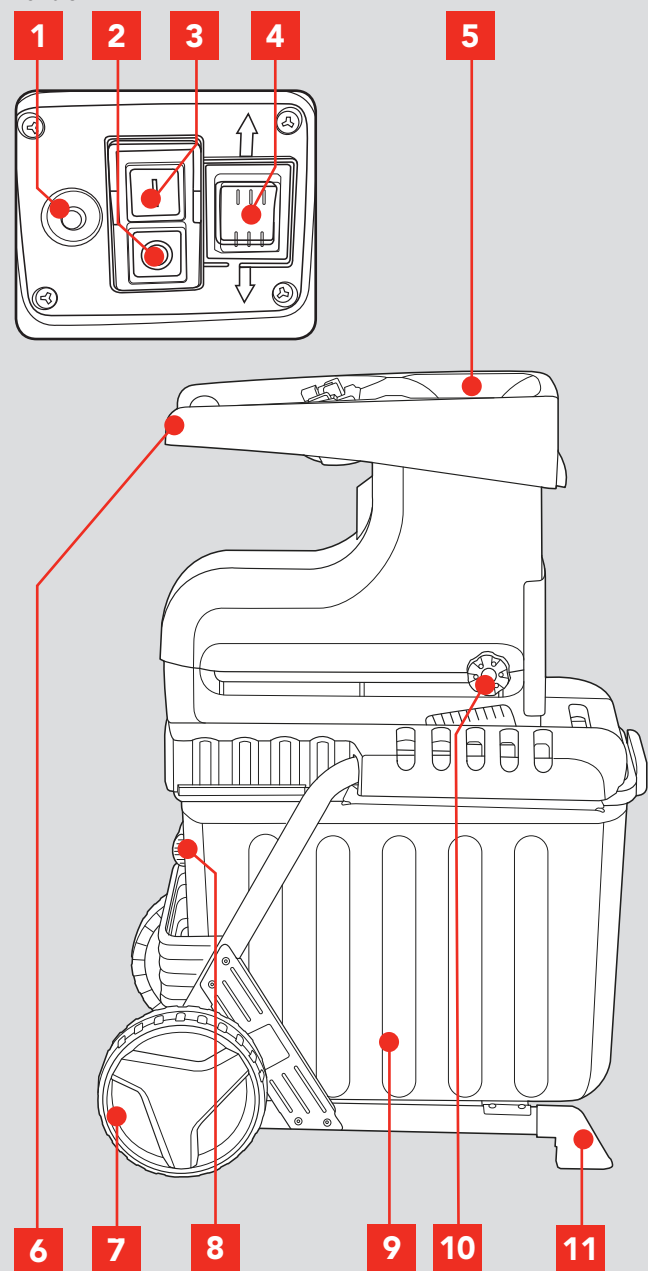


KNOW YOUR PRODUCT

SILENT SHREDDER

1. Reset button
2. Off button
3. On button
4. Direction control switch
5. Hopper
6. Handle
7. Wheel
8. Safety Switch
9. Shredded material debris box
10. Counter blade adjustment knob
11. Foot



ONLINE MANUAL

Scan this QR Code with your mobile device to take you to the online manual.



ASSEMBLY

1. BEFORE USE

Items Supplied

WARNING! YOU MAY REQUIRE ASSISTANCE LIFTING THE SHREDDER OUT OF THE CARTON.

Please check that the article is complete as specified in the scope of delivery. If parts are missing, please contact our service centre or the sales outlet where you made your purchase at the latest within 5 working days after purchasing the product and upon presentation of a valid bill of purchase. Also, refer to the warranty table in the service information at the end of the operating instructions.

- Open the packaging and take out the equipment with care.
- Remove the packaging material and any packaging and/or transportation braces (if available).
- Check to see if all items are supplied.
- Inspect the equipment and accessories for transport damage.
- If possible, please keep the packaging until the end of the guarantee period.

Danger!

The equipment and packaging material are not toys. Do not let children play with plastic bags, foils or small parts. There is a danger of swallowing or suffocating!

Proper Use

This electric garden refuse shredder is designed only for shredding organic garden waste. Place biologically degradable material, e.g. leaves, branches, dead flowers etc., into the loading funnel inlet.

The equipment is to be used only for its prescribed purpose. Any other use is deemed to be a case of misuse. The user / operator and not the manufacturer will be liable for any damage or injuries of any kind caused as a result of this.

Please note that our equipment has not been designed for use in commercial, trade or industrial applications. Our warranty will be voided if the machine is used in commercial, trade or industrial businesses or for equivalent purposes.

Caution!

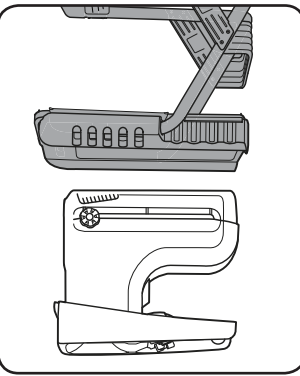
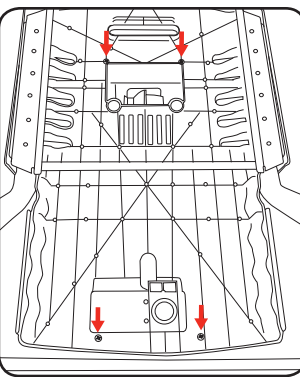
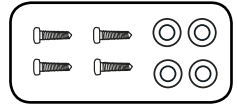
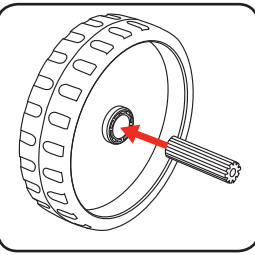
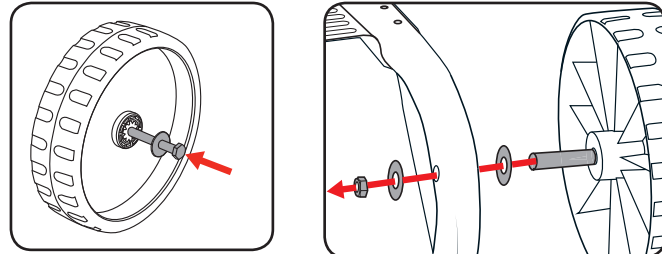
Residual risks

Even if you use this electric power tool in accordance with instructions, certain residual risks cannot be ruled out. The following hazards may arise in connection with the equipment's construction and layout:

1. Lung damage if no suitable protective dust mask is used.
2. Damage to hearing if no suitable ear protection is used.
3. Health damage caused by hand-arm vibrations if the equipment is used over a prolonged period or is not properly guided and maintained.

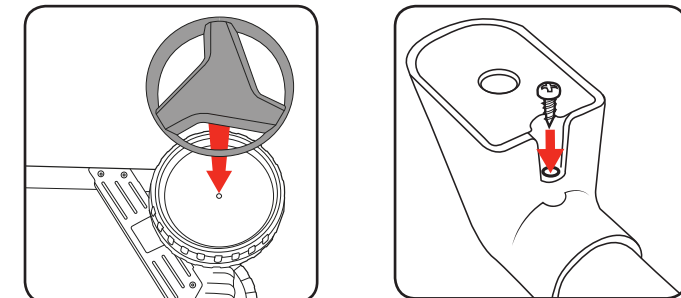
2. ASSEMBLY

WARNING! ENSURE THE TOOL IS DISCONNECTED FROM THE POWER SUPPLY BEFORE ASSEMBLY.

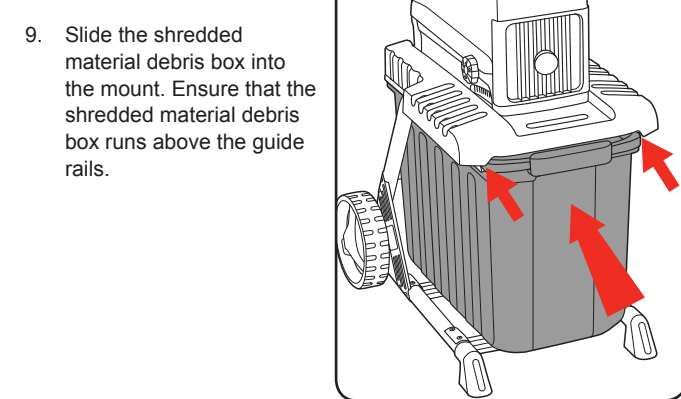
1. Carefully place the shredder housing upside down on a flat surface.
 
2. Position the base frame to the underside of the motor unit aligning the four screw holes.
 
3. Screw the motor unit and the base frame together using the four small screws and washers provided.
 
4. To fit the wheels to the base frame first slide one sleeve into the hole in each of the wheels.
 
5. Then insert one bolt with washer through each sleeve. Place a washer on the end of the bolt, then insert through the hole in the base frame, secure with washer and nut.
 

3. DIRECTION

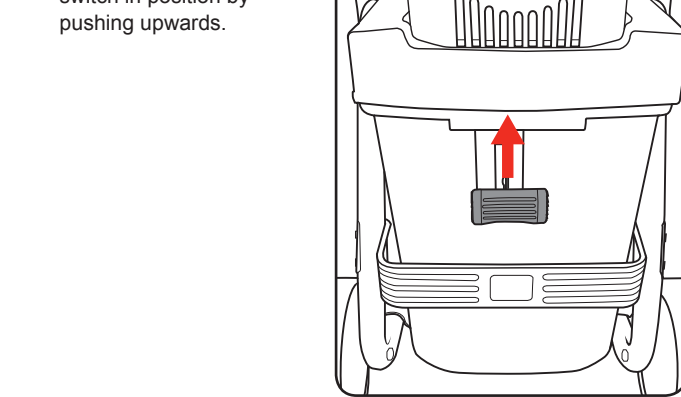
6. Press the wheel caps onto the wheels.
7. Fit the feet to the base frame as shown



8. Carefully turn the shredder over onto its stand.



9. Slide the shredded material debris box into the mount. Ensure that the shredded material debris box runs above the guide rails.



10. Lock the shredded material debris box with safety switch in position by pushing upwards.



SETUP & PREPARATION

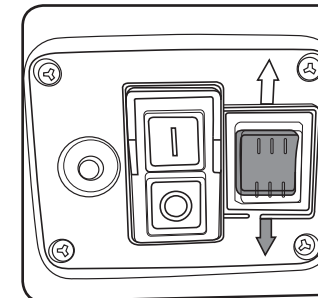
3. DIRECTION

Direction Control Switch

IMPORTANT! THE SWITCH FOR SELECTING THE DIRECTION OF ROTATION CAN ONLY BE MOVED WHEN THE SHREDDER IS SWITCHED OFF

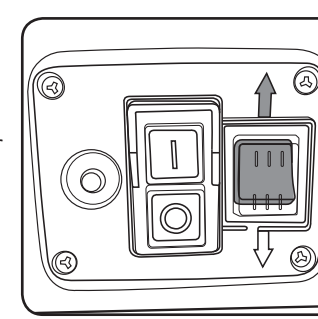
Position (down arrow)

The material is automatically drawn in by the blade and shredded.



Position (up arrow)

The blade rotates in the opposite direction to release jammed material. After moving the selector switch to the "up" position, press and hold the green knob of the ON/OFF switch. The blade will start to rotate in the opposite direction. As soon as you release the ON/OFF switch, the shredder will stop automatically.



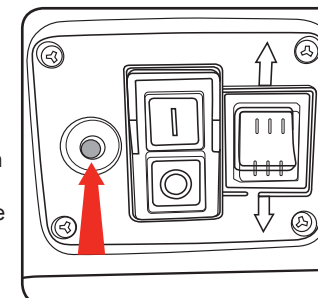
IMPORTANT! THE ALWAYS WAIT UNTIL THE SHREDDER HAS REACHED A STANDSTILL BEFORE YOU SWITCH IT ON AGAIN

Note: If the switch for selecting the direction of rotation is in its centre position, the motor will not start.

Large items or pieces of wood will be discharged both in the cutting and in the release direction after the blade has been started and reversed several times

Motor Protection

An overload (for example if the blade is jammed) will cause the machine to cut out after a few seconds. To protect the motor from damage the motor protection switch stops the power supply automatically. Wait for at least one minute before you press the reset button so that you can restart the machine.



Then press the ON/OFF switch.

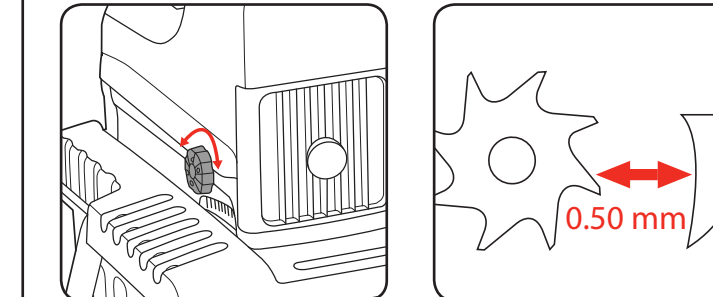
If the blade becomes jammed, turn the switch for selecting the direction of rotation to the "up" position before you switch on the shredder again.

4. PLATE ADJUSTMENT

The shredder operates by using a rolling cutter head, the cutter head rotates and pulls the material past a metal cutting plate which grinds and cuts the material.

The cutter head and cutting plate are perfectly adjusted at the factory. Only if it suffers wear does the plate require adjustment (switch the machine on for this purpose).

To ensure the best possible results from your shredder, the gap between the cutter head and cutting plate should be approx. 0.50mm. There is an adjustment device on the right-hand side of the plastic housing for this purpose. Turn the knob clockwise so that the screw moves towards the shredding cutter head. After a half turn the cutting plate will have moved 0.50mm closer to the shredding cutter head. After completing this adjustment check whether the cutter head produces the desired results.



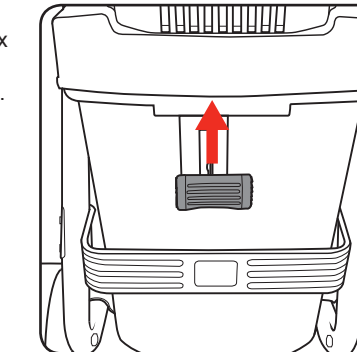
IMPORTANT! IF THE SHREDDING BLADE TOUCHES THE PLATE, IT WILL CUT IT AND SMALL METAL CHIPS MAY FALL OUT OF THE DISCHARGE OPENING. THIS IS NOT A FAULT, BUT IT MUST ONLY BE ADJUSTED AS MUCH AS NECESSARY SINCE OTHERWISE THE PLATE WILL SUFFER PREMATURE WEAR.

OPERATION

5. STARTING

Safety Switch

When using the device the shredded material debris box must be securely in position and the safety switch locked.

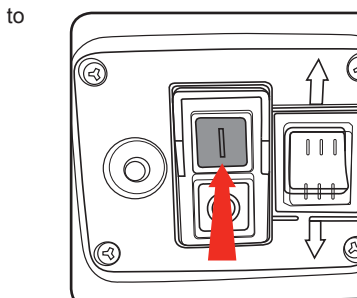


ON/OFF Switch

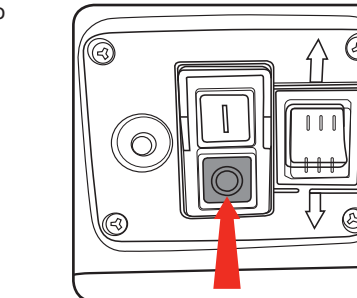
CAUTION! TO REDUCE THE RISK OF ELECTRICAL SHOCK, WE RECOMMEND THE USE OF A RESIDUAL CURRENT DEVICE (RATED 30mA OR LESS).

Note: The device has an internal zero voltage switch. This prevents the device restarting unintentionally after a power failure.

1. Press the green (I) button to switch on the shredder.



2. Press the red (O) button to switch it off.



6. SHREDDING

WARNING! THE SHREDDER IS NOT RECOMMENDED FOR MATERIALS INCLUDING GLASS, METAL, PLASTIC BAGS, STONES, FABRIC, EARTH COVERED ROOTS, SOFT LEAFY MATERIAL AND WASTE WITHOUT A FIRM CONSISTENCY (EG. KITCHEN WASTE).

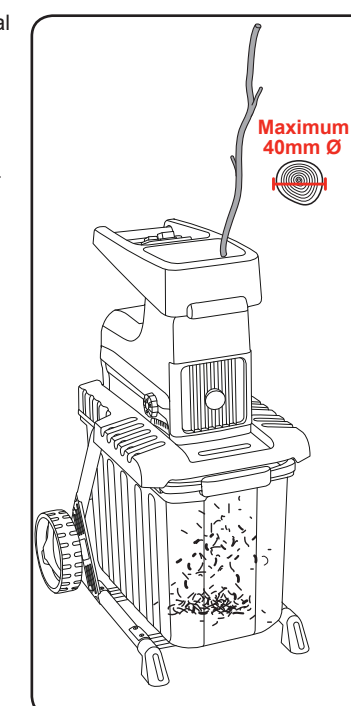
WARNING! TO PREVENT DAMAGE TO THE MACHINE IT IS RECOMMENDED THAT GARDEN MATERIAL GREATER THAN 40MM IS NOT FED INTO THE SHREDDER.

The following types of material can be used in the shredder:

- Twigs.
- Branches.
- Waste from cut bushes.
- Waste from hedge trimming.

1. Feed the material to be shredded into the feeding hopper.

2. The shredder will automatically pull the material through the rolling cutter head, shred it and extract it through the discharge chute.



Practical Tips

- Branches and twigs should be shredded shortly after they are cut. They become extremely hard once dry and the maximum cutting diameter is reduced.
- Garden waste such as fresh foliage, creepers and vines contain a lot of moisture, this can result in material sticking to the cutter head. Such material should be allowed to dry for a few days before being fed into the shredder.
- Always check material before shredding, ensure it does not contain any stones or nails as this may severely damage the shredder.
- Judge the quantity of material which you put into the hopper so that the funnel does not clog.
- Do not shred soft waste (e.g. kitchen waste) – put it straight in the compost box.
- Entangled branches and leaves should be thoroughly shredded before loading any more material.
- Do not allow the discharge opening to become clogged with shredded material – risk of pile-ups.
- Do not cover the ventilation slits.
- Do not place heavy material or thick branches into the machine continuously. This may cause the blade to jam.
- Always store the shredder indoors in a dry place.