



Table cross cut saw FKS 2201

Art.-No.: **43.406.72**

Bar code: 4006825534054

Sales unit: 1 pc

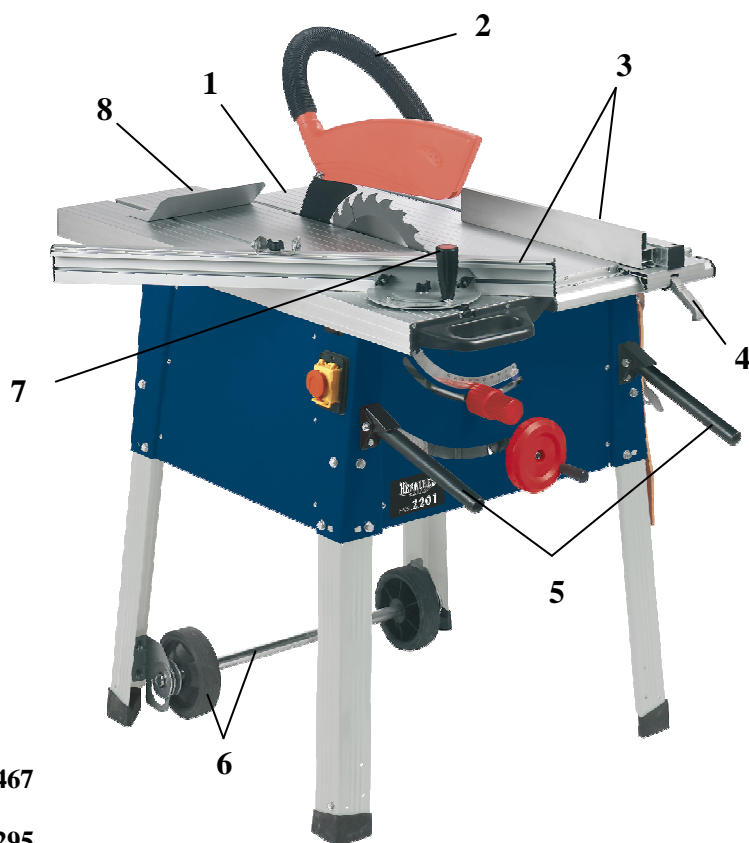
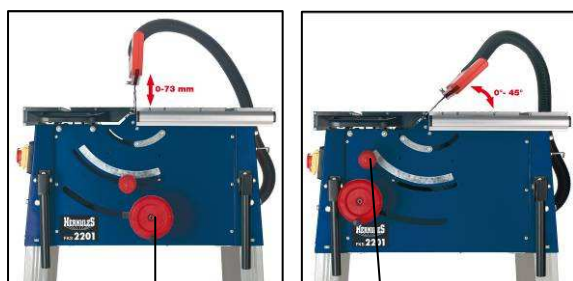
The FKS 2201 is a strong cross cut saw, comfortable to handle and suitable for multipurpose application. Ideal for ripping of hard woods and precise cross cutting of work pieces. Equipped with a precise operating slide, parallel guide rail with eccentric locking lever, angle settings and twin dust extraction adaptor. The precise adjustment of the cutting height as well as the magnifier glass (easier reading of the scale) make a definite easier and accurate working with the table cross cut saw possible. For mobile application, the FKS 2201 is equipped with an undercarriage and handles, which make it possible that the saw can be transported by one person.

Features:

- Saw table and slide table of anodised aluminium (1)
- Saw blade protection with extraction hose (2)
- Aluminium guide rails (3)
- Parallel guide with eccentric clamp (4)
- Incl. handles (5), undercarriage and wheels (6)
- Cross fence with angle scale (7)
- Guide rail for parallel cuttings (8)
- Motor rotation 0 to 45° (9)
with angle scale
- Saw blade height setting (10)
- Magnifying glass on scale setting
- Integrated dust extraction

Technical data:

- Mains: 230V ~ 50 Hz
- Power: 2200 watts S6 20%
- Rev./min.: 2860 min⁻¹
- No. of teeth: 24
- Saw blade: Ø 315 x Ø 30 x 3.6 mm
- Cutting height max: 73 mm/90°, 49 mm/45°
- Height adjustment: continuously 0 – 73 mm
- Table size: 800 x 350 mm
- Size of slide table: 1000 x 300 mm
- Slide length: 600 mm
- Saw blade rotation: 0 – 45°
- Weight: 70 kg
- Packing dimension: 1130 x 710 x 440 mm



As special accessory available:

- Carbide tipped saw blade** Art.-No.: **45.020.60**
Ø 315 x Ø 30 mm 24 teeth Bar code: 4006825505467
- Carbide tipped saw blade** Art.-No.: **45.020.11**
Ø 315 x Ø 30 mm 48 teeth Bar code: 4006825456295

Abbildungen können nicht im Serien-Lieferumfang enthaltenes Zubehör darstellen // Illustrations can contain accessories, which are not included in standard extent of delivery.

Abbildungen ähnlich, produktionsbedingte Abweichung vorbehalten // Illustration similar (in design), production-wise modifications reserved

File: S:\shared-pool\Product-Dokumentation\T-Produktbeschreibung\30_n0t\Originale_Englisch_PA04\4340672_01016.doc

Erstelldatum / create date: 16.11.2006 15:58:00

Aktualisiert / up dated: 29.11.2006