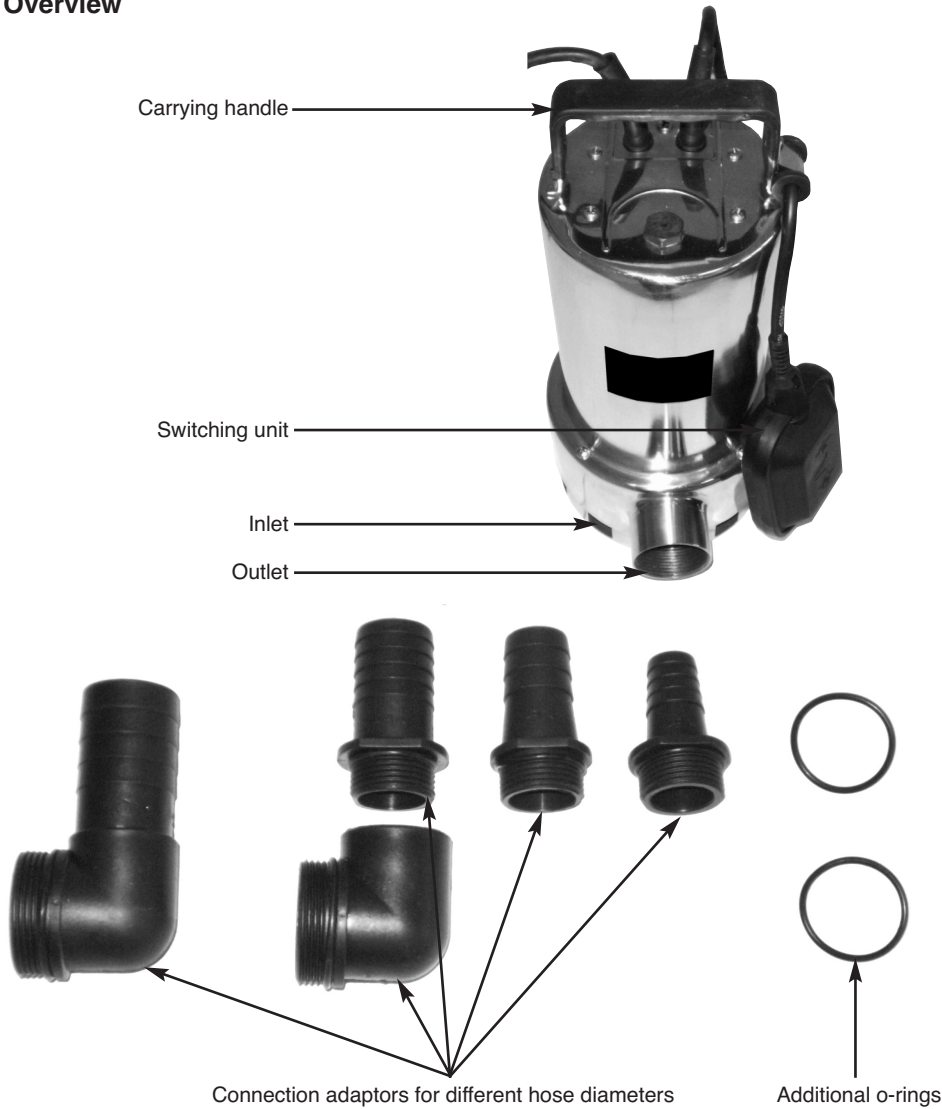




# Quick Guide for GLSP 1002 Dirty Water Pump

## 1. Overview



**PLEASE READ ALL INSTRUCTIONS BEFORE USING THE PUMP**

## 2. Pump operation



Insert the connection adaptor into the pump body tightly. Use one of the four adaptors included according to the diameter of hose you want to use.



Clamp for connection

Connect the delivery hose to the adaptor. The hose should be fixed tightly by a clamp, with no leakage of hose or connection.

The hose and clamp are not included in packaging.

Put the pump into **water**. Don't use the power cable or the delivery hose to insert the pump to the water. Only use the handle or fix a rope to the handle. Please make sure the water is deep enough and there is enough space around the pump so that the switching unit can move properly to ON- and OFF-position.

Never let the pump run dry or it will be damaged.

Never run the pump with outlet closed or the pump will be damaged.

Do not fix the switching unit in ON-position, otherwise it is not secured against running dry and will get damaged.

EH 06/2008 (01)

**PLEASE READ ALL INSTRUCTIONS BEFORE USING THE PUMP**