



CinHELL

HOME

TH-MS 2112 T

Mitre saw with upper table

Art.-Nr. 43.003.17

Features

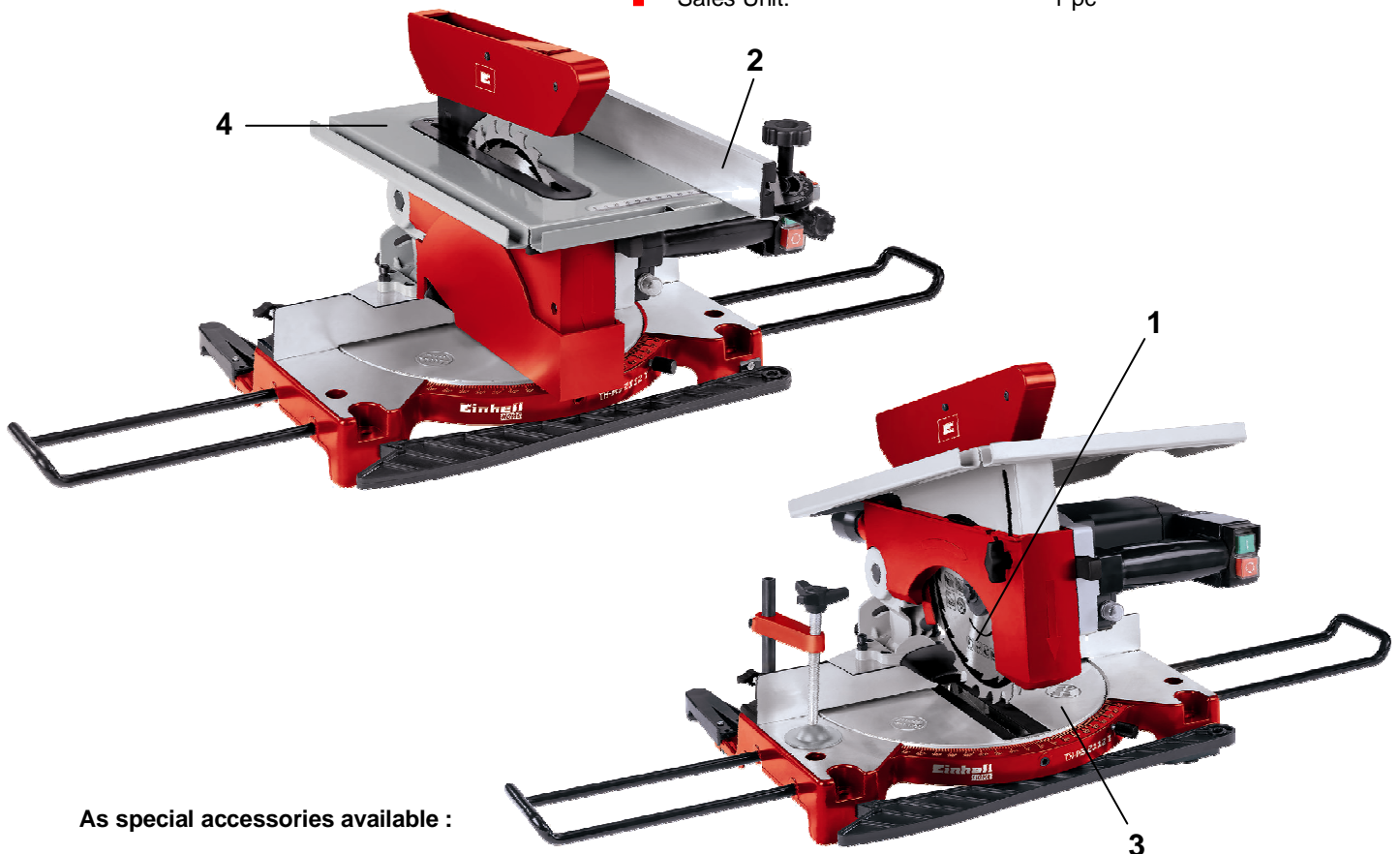
- Carbide tipped saw blade (1)
- Guide fence continuously adjustable in parallel and square position from -30° to +30° (2)
- Rotating table as mitre saw continuously from -45° to +45° adjustable (3)
- Saw table for working as table saw continuously adjustable in height from 0 to 33 mm (4)
- Motor head as mitre saw continuously tiltable to the left from 0° to 45°
- Connection for dust extraction Ø 36 mm

Technical Data

- Mains: 230 V ~ 50 Hz
- Power: 1,200 W
- Idle speed n_0 : 4,500 min⁻¹
- TCT saw blade / teeth: Ø 210 x Ø 30 mm / 24 teeth
- Max saw width 90°/ 45°: 120 x 55 mm / 65 x 55 mm
- Max saw width 2 x 45°: 40 x 23 mm
- Cutting width max: 120 mm
- Product weight: 10.0 kg

Logistic Data

- Net weight: 13.2 kg
- Gross weight: 14.2 kg
- Packing dimensions: 420 x 400 x 300 mm
- Bar code: 4006825 584950
- Sales Unit: 1 pc



As special accessories available :

- | | |
|--------------------------------|--------------------------|
| TCT saw blade | Art.-No.: 45.020.48 |
| Ø 210 x Ø 30 x 2.8mm; 24 teeth | Bar code: 4006825 456004 |
| TCT saw blade | Art.-No.: 45.020.34 |
| Ø 210 x Ø 30 x 2.8mm; 48 teeth | Bar code: 4006825 456110 |