

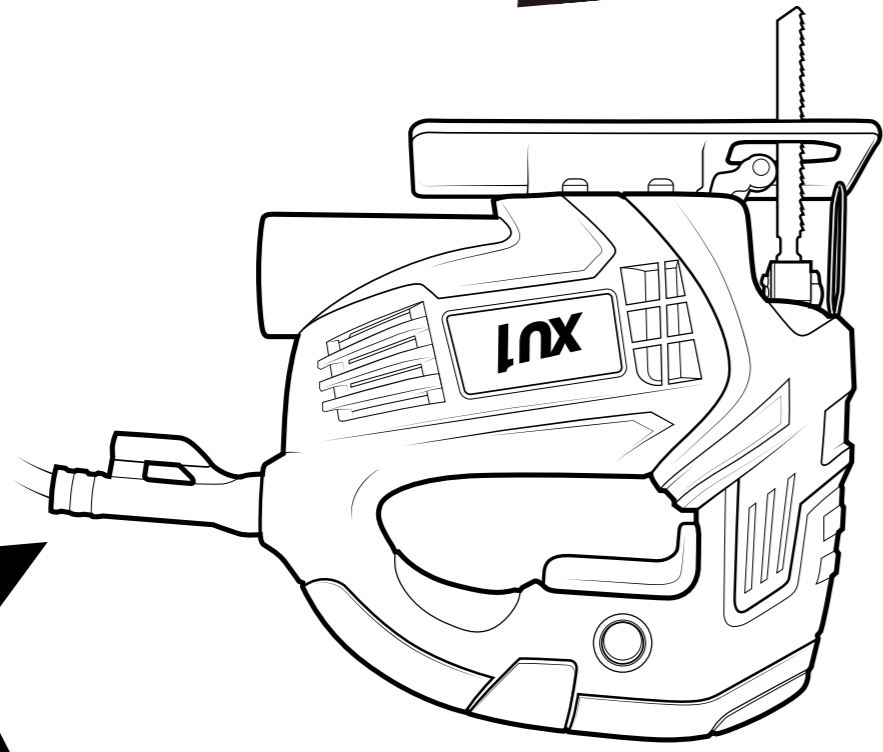
Original instructions

XJS-350U



350W
Mesşip

LOX



REPLACEMENT WARRANTY
12 MONTHS HOME USE

ISC GmbH · Eschenstraße 6 · D-94405 Landau/Isar

explains the following conformity according to EU directives and norms for the following product



EU

Jigsaw XJS-350U (XU1)

<input type="checkbox"/> 2014/29/EU	<input checked="" type="checkbox"/> 2006/42/EC
<input type="checkbox"/> 2005/32/EC_2009/125/EC	<input type="checkbox"/> Annex IV
<input type="checkbox"/> 2014/35/EU	Notified Body:
<input type="checkbox"/> 2006/28/EC	Notified Body No.:
<input checked="" type="checkbox"/> 2014/30/EU	Reg. No.:
<input type="checkbox"/> 2014/32/EU	<input type="checkbox"/> 2000/14/EC_2005/88/EC
<input type="checkbox"/> 2014/53/EC	<input type="checkbox"/> Annex V
<input type="checkbox"/> 2014/68/EU	<input type="checkbox"/> Annex VI
<input type="checkbox"/> 90/396/EC_2009/142/EC	Noise: measured L _{WA} = dB (A); guaranteed L _{WA} = dB (A)
<input type="checkbox"/> 89/686/EC_96/58/EC	P = KW; L/O = cm
<input checked="" type="checkbox"/> 2011/65/EU	Notified Body:
	<input type="checkbox"/> 2012/46/EU
	Emission No.:

**Standard references: EN 60745-1; EN 60745-2-11;
EN 55014-1; EN 55014-2; EN 61000-3-2; EN 61000-3-3**

Landau/Isar, den 01.08.2017

 Weichselgartner/General-Manager
 Yang/Product-Management

First CE: 17
Art.-No.: 30.001.77 I.-No.: 11017
Subject to change without notice

Archive-File/Record: NAPR017307
Documents registrar: R. Gehard
Wiesenweg 22, D-94405 Landau/Isar

XU1 Power tools

Telephone: GB: 0151 294 4488 / IRL: 1850 882711

SAFETY INSTRUCTIONS

 ALWAYS WEAR EYE, FACE AND EAR PROTECTION

When operating the tool


Check that the switch is in the "OFF" position before connecting to the power supply. Switch to "OFF" immediately after completion of the task.

Keep the mains cable away from any moving parts or accessories.

Never cover the ventilation slots in the tool.

Electrical safety

Before you connect the charger to the mains supply make sure that the data on the rating plate are identical to the mains data.

 This tool is double insulated; therefore no earth wire is required.

Using an extension lead


Always use an approved extension lead suitable for the power input of this tool. Before use, inspect the extension lead for signs of damage, wear and ageing. Replace the extension lead if damaged or defective.


When using an extension lead on a reel, always unwind the lead completely. Use of an extension lead not suitable for the power input of the tool or which is damaged or defective may result in a risk of fire and electric shock.


The power supply for this product should be protected by a residual current device (rated at 30mA or less). A residual current device reduces the risk of electric shock.


If the supply cord is damaged, it must be replaced by the manufacturer, its service agent or similarly qualified persons in order to avoid a hazard.

Description of symbols

 **Danger!** - Read the operating instructions to reduce the risk of injury


 **Caution! Wear ear-muffs.** The impact of noise can cause damage to hearing.

 **Caution! Wear a breathing mask.** Dust which is injurious to health can be generated when working on wood and other materials. Never use the device to work on any materials containing asbestos!

 Wear eye protection

 Double insulated (Protection Class II)

General Power Tool Safety Warnings

 **WARNING! Read all safety warnings and all instructions.** Failure to follow the warnings and instructions may result in electric shock, fire and/or serious injury. **Save all warnings and instructions for future reference.** The term "power tool" in all of the warnings refers to your mains-operated (corded) power tool or battery-operated (cordless) power tool.

1. Work area safety

a. **Keep work area clean and well lit.** Cluttered or dark areas invite accidents.

b. **Do not operate power tools in explosive atmospheres, such as in the presence of flammable liquids, gases or dust.** Power tools create sparks which may ignite the dust or fumes.

c. **Keep children and bystanders away while operating a power tool.** Distractions can cause you to lose control.

2. Electrical safety

a. **Power tool plugs must match the outlet. Never modify the plug in any way. Do not use any adapter plugs with earthed (grounded) power tools.** Unmodified plugs and matching outlets will reduce risk of electric shock.

b. **Avoid body contact with earthed or grounded surfaces, such as pipes, radiators, ranges and refrigerators.** There is an increased risk of electric shock if your body is earthed or grounded.

c. **Do not expose power tools to rain or wet conditions.** Water entering a power tool will increase the risk of electric shock.

d. **Do not abuse the cord. Never use the cord for carrying, pulling or unplugging the power tool. Keep cord away from heat, oil, sharp edges or moving parts.** Damaged or entangled cords increase the risk of electric shock.

e. **When operating a power tool outdoors, use an extension cord suitable for outdoor use.** Use of a cord suitable for outdoor use reduces the risk of electric shock.

f. **If operating a power tool in a damp location is unavoidable, use a residual current device (RCD) protected supply.** Use of an RCD reduces the risk of electric shock.

3. Personal safety

a. **Stay alert, watch what you are doing and use common sense when operating a power tool. Do not use a power tool while you are tired or under the influence of drugs, alcohol or medication.** A moment of inattention while operating power tools may result in serious personal injury.

b. **Use personal protective equipment. Always wear eye protection.** Protective equipment such as dust mask, non-skid safety shoes, hard hat, or hearing protection used for appropriate conditions will reduce personal injuries.

c. **Prevent unintentional starting. Ensure the switch is in the off-position before connecting to power source and/or battery pack, picking up or carrying the tool.** Carrying power tools with your finger on the switch or energising power tools that have the switch on invites accidents.

d. **Remove any adjusting key or wrench before turning the power tool on.** A wrench or a key left attached to a rotating part of the power tool may result in personal injury.

e. **Do not overreach. Keep proper footing and balance at all times.** This enables better control of the power tool in unexpected situations.

f. **Dress properly. Do not wear loose clothing or jewellery. Keep your hair, clothing and gloves away from moving parts.** Loose clothes, jewellery or long hair can be caught in moving parts.

g. **If devices are provided for the connection of dust extraction and collection facilities, ensure these are connected and properly used.** Use of dust collection can reduce dust-related hazards.

h) **Do not let familiarity gained from frequent use of tools allow you to become complacent and ignore tool safety principles.** A careless action can cause severe injury within a fraction of a second.

4. Power tool use and care

a. **Do not force the power tool. Use the correct power tool for your application.** The correct power tool will do the job better and safer at the rate for which it was designed.

b. **Do not use the power tool if the switch does not turn it on and off.** Any power tool that cannot be controlled with the switch is dangerous and must be repaired.

c. **Disconnect the plug from the power source and/or remove the battery pack, if detachable, from the power tool before making any adjustments, changing accessories, or storing power tools.** Such preventive safety measures reduce the risk of starting the power tool accidentally.

d. **Store idle power tools out of the reach of children and do not allow persons unfamiliar with the power tool or these instructions to operate the power tool.** Power tools are dangerous in the hands of untrained users.

e. **Maintain power tools and accessories. Check for misalignment or binding of moving parts, breakage of parts and any other condition that may affect the power tool's operation. If damaged, have the power tool repaired before use.** Many accidents are caused by poorly maintained power tools.

f. **Keep cutting tools sharp and clean.** Properly maintained cutting tools with sharp cutting edges are less likely to bind and are easier to control.

g. **Use the power tool, accessories and tool bits etc. in accordance with these instructions, taking into account the working conditions and the work to be performed.** Use of the power tool for operations different from those intended could result in a hazardous situation.

h) **Keep handles and grasping surfaces dry, clean and free from oil and grease.** Slippery handles and grasping surfaces do not allow for safe handling and control of the tool in unexpected situations.

5. Service

a. **Have your power tool serviced by a qualified repair person using only identical replacement parts.** This will ensure that the safety of the power tool is maintained.

ADDITIONAL SAFETY INSTRUCTIONS FOR JIGSAWS

The tool is recommended for use with a residual current device with a rated residual current of 30mA or less

- **Hold power tool by insulated gripping surfaces, when performing an operation where the cutting accessory may contact hidden wiring or its own cord.** Cutting accessory contacting a "live" wire may make exposed metal parts of the power tool "live" and could give the operator an electric shock.

- Remove all nails in the work piece before the jigsaw. Cutting nails may damage your tool.

- Do not cut hollow pipe with the jigsaw
- Do not cut material thicker or wider diameter than the specified limits.

- Always allow enough clearance underneath the work piece to ensure the blade does not touch the floor or work bench, etc.

- Do not cut through wall cavities without first checking for hidden electrical wires.
- Ensure that you have tightened the lade prior to starting the machine.

- When you have finished the cut, wait until the saw blade has stopped moving prior to removing it from the work piece

- Do not touch the saw blade immediately after use. Allow time for the blade to cool, as it may burn due to the heat generated during sawing.

- Always check accessories to ensure that they are suitable for the operating speeds of this tool.
- Incorrect accessories can break apart at high speed and cause serious damage or injury.

- **This appliance is not intended for use by persons (including children) with reduced physical, sensory or mental capabilities or lack of experience and knowledge, unless they have been given supervision or instruction concerning use of the appliance by a person responsible for their safety.**

- **Young children should be supervised to ensure that they do not play with the appliance.**

SOUND AND VIBRATION Danger!

Sound and vibration
Sound and vibration values were measured in accordance with EN 60745.

L_{pA} Sound Pressure Level: 87.30 dB(A)

K_{pA} Uncertainty: 3 dB

L_{wA} Sound Power Level: 98.30 dB(A)

K_{wA} Uncertainty: 3 dB

Wear ear-muffs.

The impact of noise can cause damage to hearing. Total vibration values (vector sum of three directions) determined in accordance with EN 60745.

Cutting wood

Vibration Emission Value a_n: 7.96m/s²

K Uncertainty: 1.5m/s²

Cutting sheet metal

Vibration Emission Value a_n: 9.0m/s²

K Uncertainty: 1.5m/s²

The specified vibration value was established in accordance with a standardized testing method. It may change according to how the electric equipment is used and may exceed the specified value in exceptional circumstances.

The specified vibration value can be used to compare the equipment with other electric power tools. The specified vibration value can be used for initial assessment of a harmful effect.

Keep the noise emissions and vibrations to a minimum.

- Only use appliances which are in perfect working order.
- Service and clean the appliance regularly.
- Adapt your working style to suit the appliance.
- Do not overload the appliance.
- Have the appliance serviced whenever necessary.
- Switch the appliance off when it is not in use.
- Wear protective gloves.

MAINTENANCE

Your tool has been designed to operate over a long period of time with a minimum of maintenance.

Continuous satisfactory operation depends upon proper tool care and regular cleaning.

Warning! Before performing any maintenance, switch off and remove the electrical plug from the outlet.

- After each use, blow air through the tool housing to ensure it is free from all dust particles that may build up. Build up of dust particles may cause the tool to overheat and fail.

- If the body of the tool requires cleaning do not use solvents but moist soft only. Never let any liquid get inside the tool; never immerse any part of the tool into a liquid.

- When the carbon brushes wear out the tool with spark and/or stop. The brushes are a wearing component of the tool and should be replaced prior to the carbon wearing out fully. Brushes will wear out after many uses but before they do take the tool to an electrician or power tool repairer for a quick and low cost replacement. Always replace both brushes at the same time.

Note. Ozito Industries will not be responsible for any damage or injuries caused by the repair of the tool by an unauthorised person or by mishandling of the tool.

- If the supply cord of this power tool is damaged, it must be replaced by a specially prepared cord available through the service organization.

SERVICE INFORMATION

Please note that the following parts of this product are subject to normal or natural wear and that the following parts are therefore also required for use as consumables.

Category	Example
Wear parts*	Guide roller, Carbon brushes
Consumables*	Saw blade
Missing parts	

* Not necessarily included in the scope of delivery!



For EU countries only

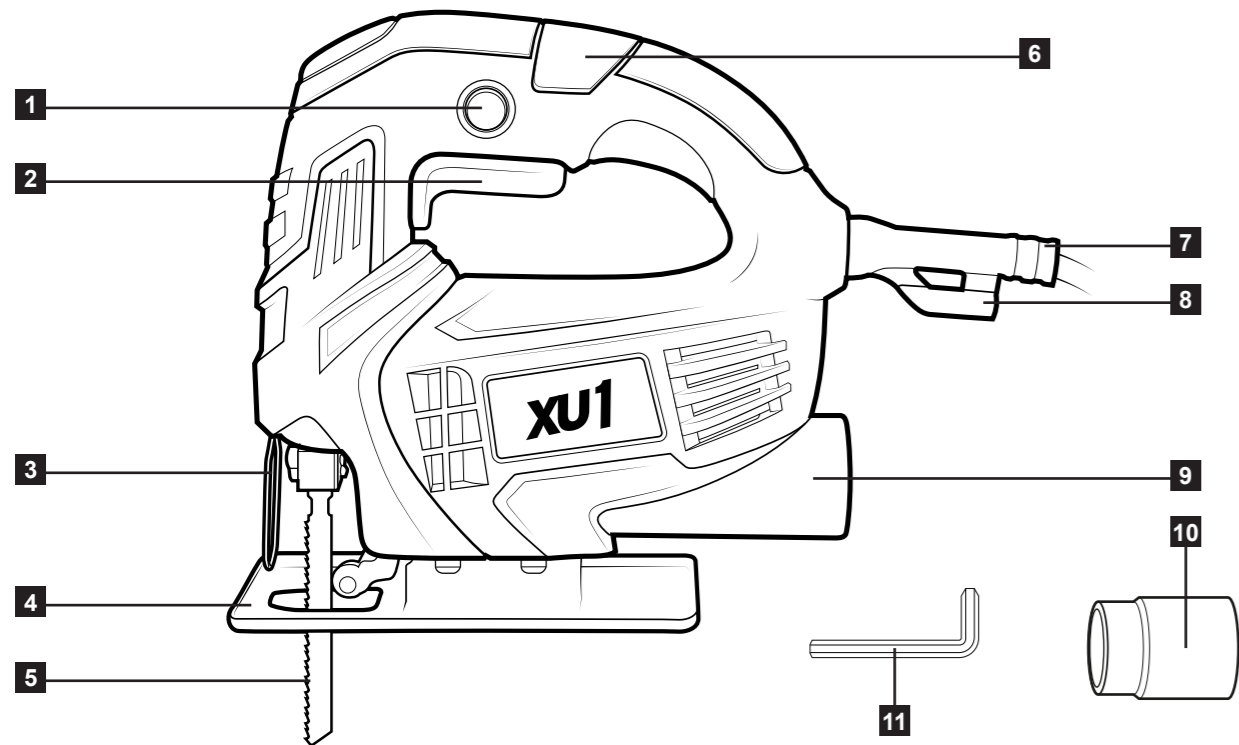
Never place any electric power tools in your household refuse.

To comply with European Directive 2012/19/EC concerning old electric and electronic equipment and its implementation in national laws, old electric power tools have to be separated from other waste and disposed of in an environment-friendly fashion, e.g. by taking to a recycling depot.

Recycling alternative to the return request:

As an alternative to returning the equipment to the manufacturer, the owner of the electrical equipment must make sure that the equipment is properly disposed of if he no longer wants to keep the equipment. The old equipment can be returned to a suitable collection point that will dispose of the equipment in accordance with the national recycling and waste disposal regulations. This does not apply to any accessories or aids without electrical components supplied with the old equipment.

Subject to technical changes



- | | | |
|-------------------------|------------------------|----------------------------|
| 1 Lock-On Button | 5 Timber Cutting Blade | 9 Dust Extraction Port |
| 2 On/Off Trigger | 6 Soft Grip Handle | 10 Dust Extraction Adaptor |
| 3 Blade Guard | 7 Power Cord | 11 Hex Key |
| 4 Adjustable Base Plate | 8 Hex Key Holder | |

SPECIFICATIONS

Input power:	350W
Input voltage:	220-240V~50/60Hz
No load speed:	3,000/min
Stroke length:	18mm
Cutting capacity at 90°:	55mm (Timber) 10mm (Plastic) 6mm (Steel)
Protection class:	II

Items Supplied

Please check that the article is complete as specified in the scope of delivery. If parts are missing, please contact our service center or the sales outlet where you made your purchase at the latest within 5 working days after purchasing the product and upon presentation of a valid bill of purchase. Also, refer to the warranty table in the service information at the end of the operating instructions.

- Open the packaging and take out the equipment with care.
- Remove the packaging material and any packaging and/or transportation braces (if available).
- Check to see if all items are supplied.
- Inspect the equipment and accessories for transport damage.
- If possible, please keep the packaging until the end of the guarantee period.

Danger!

The equipment and packaging material are not toys. Do not let children play with plastic bags, foils or small parts. There is a danger of swallowing or suffocating!

Caution!

Residual risks

Even if you use this electric power tool in accordance with instructions, certain residual risks cannot be ruled out. The following hazards may arise in connection with the equipment's construction and layout:

1. Lung damage if no suitable protective dust mask is used.
2. Damage to hearing if no suitable ear protection is used.
3. Health damage caused by hand-arm vibrations if the equipment is used over a prolonged period or is not properly guided and maintained.

USING YOUR JIGSAW

The jigsaw is designed for sawing wood, metals, non-ferrous metals and plastics using the appropriate saw blade.

The equipment is to be used only for its prescribed purpose. Any other use is deemed to be a case of misuse. The user / operator and not the manufacturer will be liable for any damage or injuries of any kind caused as a result of this.

Please note that our equipment has not been designed for use in commercial, trade or industrial applications. Our warranty will be voided if the machine is used in commercial, trade or industrial businesses or for equivalent purposes.

Before attempting to operate the machine, familiarise yourself with the controls and make sure you know how to stop the machine quickly in an emergency.

Save these instructions and other documents supplied with this machine for future reference.

Selecting the right jigsaw blade

Your Jigsaw has the ability to use a number of different types of interchangeable blades. The type of material cut, along with the desired quality of finish, typically determines the type of blade used.

Blade fitment type

There are basically two types of Jigsaw blade fitments: T-shaped (or bayonet) and U-shaped (or universal). Your XU1 Jigsaw utilises T-shaped fitments. Please ensure that you purchase only this type, as U-shaped fitments blades cannot be securely attached.

Blade material

Two basic types of materials are used for Jigsaw blades. High-speed steel blades are usually the best choice for cutting all types of wood products. Cobalt steel blades hold up better when cutting metal products.

Teeth Per Inch

Jigsaw blades are frequently rated in teeth per inch. A general rule is that blades with a lower number of teeth per inch are better for quick, rough cuts on soft materials. Blades with a higher number of teeth per inch are designed for harder materials. Blades with a higher number of teeth per inch make a finer cut but also cut more slowly than blades with fewer teeth per inch. Before purchasing new blades, please check on the blade packaging for suitability of the blade for the job at hand.

Inserting a blade

1. Before performing any adjustments ensure the tool has been switched off and is disconnected from any power supply.
2. Turn the Jigsaw upside down and remove the hex key from its holder.
3. Loosen the 2 blade securing bolts using the hex key. The bolts can be accessed through the gap in the blade guard.
4. Insert the shaft end of the blade through the shoe into the blade holder. Ensure the teeth of the blade face towards the front of the saw
5. When the blade is inserted as far as it will go, secure it in place by tightening the bolts clockwise. **FIG.A**
6. Check that the back edge (non-serrated edge) of the blade is within the groove of the blade guide wheel. If not, use the hex key to loosen the two bolts that secure the shoe and adjust the position of the guide wheel so that the back of the blade is supported by the blade guide wheel.
7. Tighten the shoe locking screws
8. Connect the Jigsaw to the power supply, switch on and check that the blade runs correctly. Switch off.

Removing a blade

1. Before performing any adjustments ensure the tool has been switched off and is disconnected from any power supply.
2. Turn the Jigsaw upside down and use the hex key to loosen the two blade securing bolts.
3. Remove the blade through the gap in the shoe.

Adjusting the angle of the shoe

The shoe can be tilted to angles between 0° - 45° left or right so that you can cut bevel angles in a work piece.

1. Before performing any adjustments ensure the tool has been switched off and is disconnected from any power supply.
2. Turn the Jigsaw upside down and use the hex key to loosen the shoe locking screws that secure the shoe.
3. Slide the shoe backwards away from the blade
4. Tilt the shoe between 0 and 45° left or right **FIG.B**

Note: Bevel angles of 0, 15, 30 and 45° are marked on the bevel scale.

5. Once the angle has been set, slide the shoe forwards again and tighten the shoe locking screws.

If an accurate bevel is required, it is best to check the setting with a protractor or by making a trial cut in a piece of scrap material and re-adjusting the setting if necessary.

Operation

1. The shoe should always be kept flat against the work piece when performing a cut.
2. Take care to always select the correct blade for the job at hand.

Cutting on a straight or curved line

Note: A range of blades are available from your local Bunnings Warehouse. Narrow blades are better suited for curved cuts.

1. Mark your cutting line with a pencil or other suitable marker.
2. Start the tool by squeezing the on/off switch trigger and wait a few seconds until the blade achieves maximum speed **FIG.C**
3. Place the shoe on the work piece and move forward slowly along the cutting line. Take extra care and time when cutting curved lines in order to reduce stress on the blade and chance of breaking it. Let the tool work at its own pace. Do not overload the tool by pushing hard into the cut.
4. For sustained cutting you can press the lock-on switch to keep the trigger switch engaged. **FIG.D** To release the lock on switch press the trigger switch then release it.

Cutting metal

1. Your Jigsaw can be used for cutting light gauge ferrous sheet and non-ferrous metals such as copper, brass and aluminium.
2. When cutting sheet metal, clamp it to a backing sheet of soft wood or plywood. The metal and its wood backing are then cut together. This gives a clean cut without vibration and prevents the metal from tearing.
3. Do not force the cutting blade into the metal as this will reduce the life of the blade and possibly damage the motor.
4. Cutting thin metal takes longer than cutting even a relatively thick piece of wood, so do not be tempted to speed up the operation by forcing the saw.
5. Spread a thin film of oil along the proposed cutting line before commencing to cut metal.

Pocket and round cutting

1. When you need to make a cut in the middle of a work piece without cutting into the edge, first drill a hole inside the marked line of the cut using a 12mm drill bit. This allows the blade to pass through the hole in order to begin the cut.

When cutting tight curves reduce the speed of the Jigsaw.

Dust Extraction

The tool can be attached to most portable vacuum cleaners via dust extraction port.

1. Attach the dust extraction adaptor to the dust port. **FIG.E**
2. Attach a dust extractor or vacuum to the dust extraction adaptor to help remove dust while operating.

WARRANTY

All of our products undergo strict quality checks to ensure that they reach you in perfect condition. In the unlikely event that your device develops a fault, please contact our service department at the address shown on this guarantee card. You can also contact us by telephone using the customer service number shown. Please note the following terms under which guarantee claims can be made:

1. These warranty terms regulate additional warranty services, which the manufacturer mentioned below promises to buyers of its new products in addition to their statutory guarantee claims are not affected by this guarantee. Our guarantee is free of charge to you.

2. The warranty services only covers defects due to material or manufacturing faults on a product which you have bought from the manufacturer mentioned below are limited to either the rectification of said defects on the product or the replacement of the product, whichever we prefer. Please note that our devices are not designed for use in commercial, trade or professional applications. A guarantee contract will not be created if the device has been used by commercial, trade or industrial business or has been exposed to similar stresses during the guarantee period.

3. The following are not covered by our guarantee:

- Damage to the device caused by a failure to follow the assembly instructions or due to incorrect installation, a failure to follow the operating instructions (for example connecting it to an incorrect mains voltage or current type) or a failure to follow the maintenance and safety instructions or by exposing the device to abnormal environmental conditions or by lack of care and maintenance.
- Damage to the device caused by abuse or incorrect use (for example overloading the device or the use of unapproved tools or accessories), ingress of foreign bodies into the device (such as sand, stones or dust, transport damage), the use of force or damage caused by external forces (for example by dropping it).
- Damage to the device or parts of the device caused by normal or natural wear or tear or by normal use of the device.

4. Your Product is guaranteed for a period of 12 months from the original date of purchase and is intended for DIY (Do It Yourself) use only. Warranty excludes consumable parts, for example: cutting blade. Guarantee claims should be submitted before the end of the guarantee period within two weeks of the defect being noticed. No guarantee claims will be accepted after the end of the guarantee period. The original guarantee period remains applicable to the device even if repairs are carried out or parts are replaced. In such cases, the work performed or parts fitted will not result in an extension of the guarantee period, and no new guarantee will become active for the work performed or parts fitted. This also applies if an on-site service is used.

IN ORDER TO MAKE A CLAIM UNDER THIS WARRANTY YOU MUST RETURN THE PRODUCT TO THE PLACE OF PURCHASE WITH YOUR REGISTER RECEIPT.

Please refer to the restrictions of this warranty concerning wearing parts, consumables and missing parts as set out in the service information in these operating instructions.

CUSTOMER SERVICE HELPLINE

GB: 0151 294 4488
IRL: 1850 882711

XU1

Unit 9 Stadium Court, Wirral International Business Park, Plantation Road, Bromborough, Wirral, CH62 3QG