

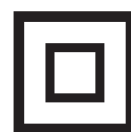


Operating Instructions Hedge Trimmer

**" WARNING! PLEASE READ THESE INSTRUCTIONS
BEFORE OPERATING THIS UNIT"**

"KEEP THIS MANUAL FOR FUTURE REFERENCE"

7





Read and follow the operating instructions and safety information before using for the first time.



Always wear PPE (Personal Protective Clothing).



Wear eye protection!



Wear ear protection!

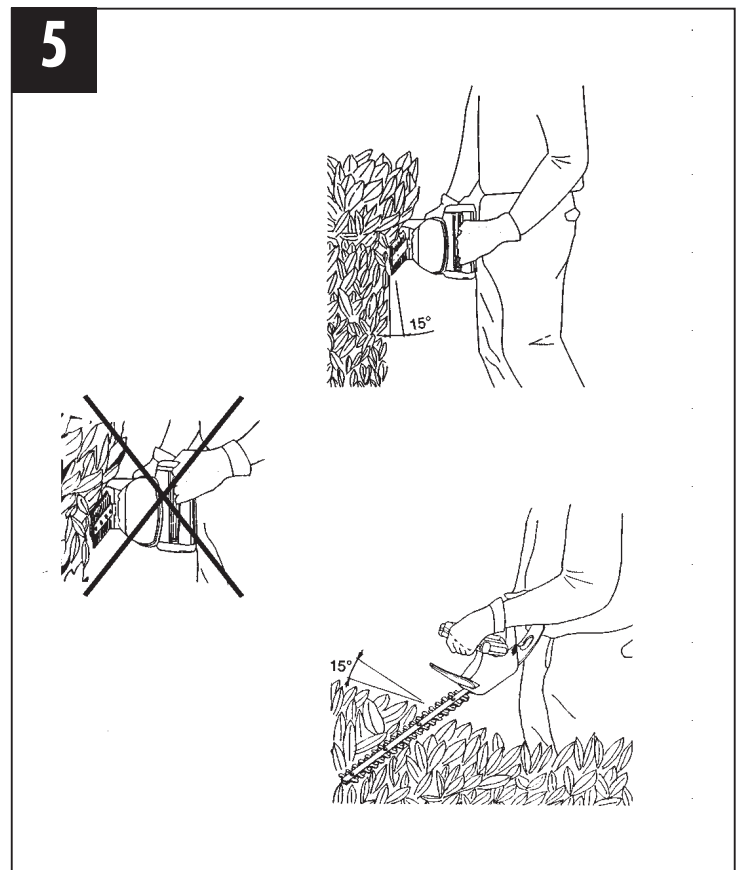
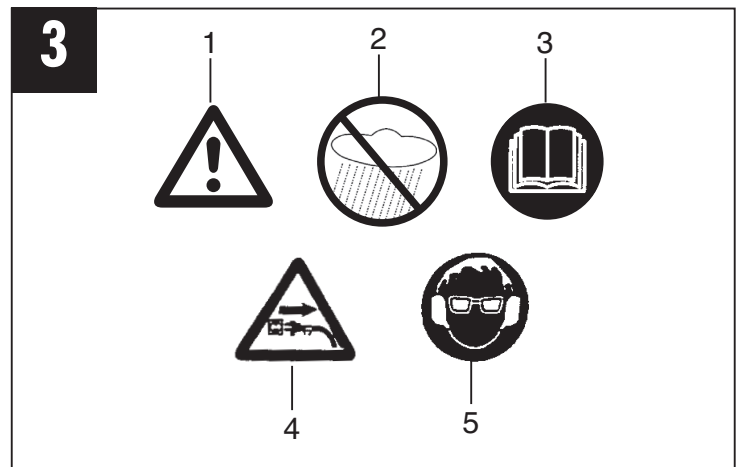
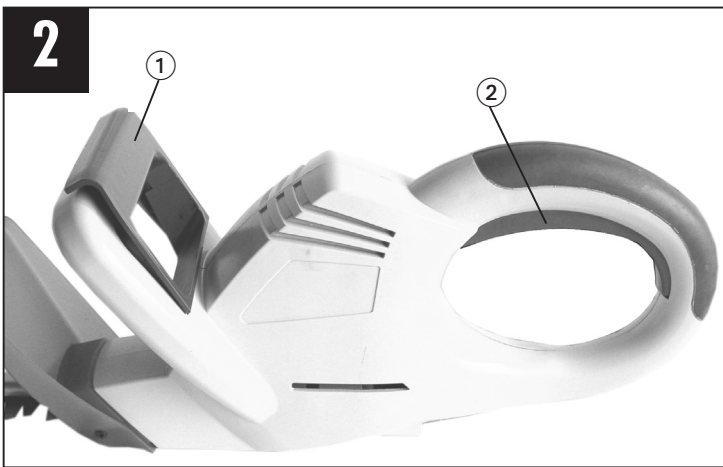
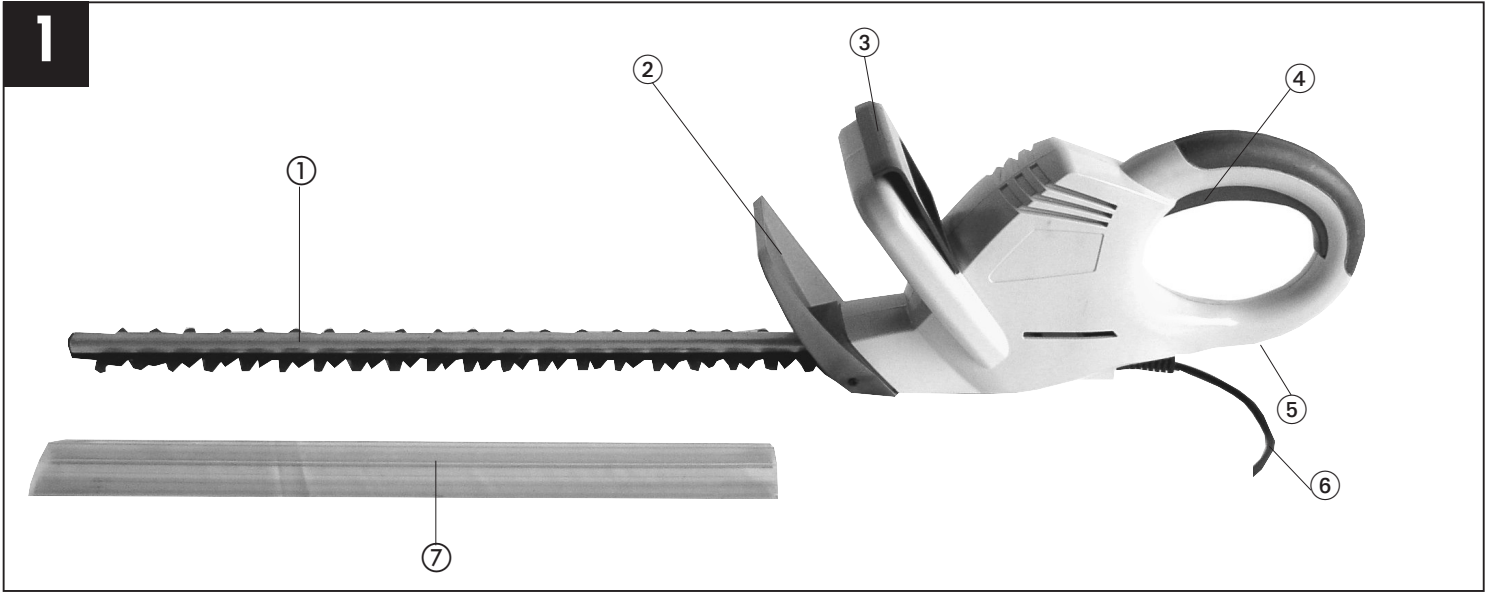


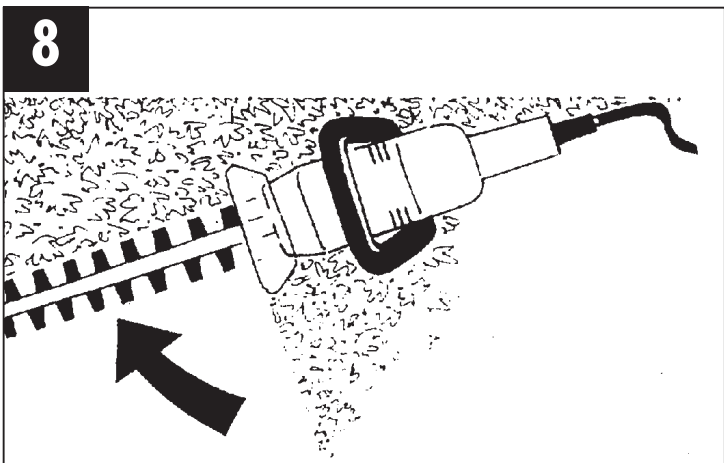
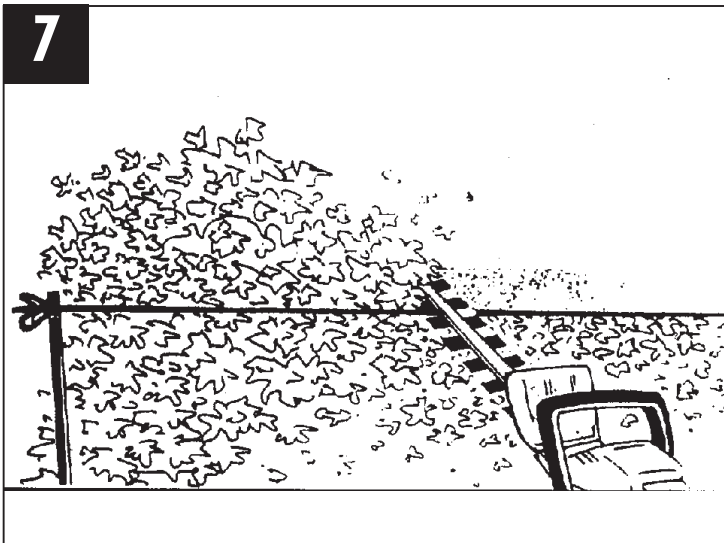
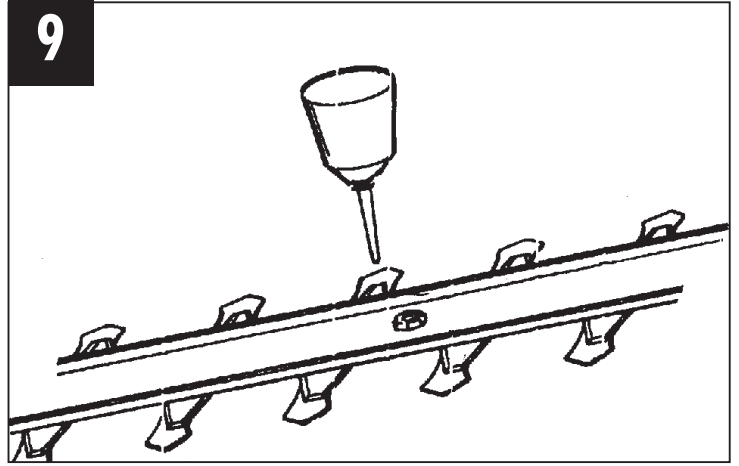
Beware of electrical voltage



Read the complete operating manual with due care and keep it in a safe place. If you give the unit to any other person, hand over this operating manual as well!

Table of contents	page
1. General safety regulations	6
2. Layout	8
3. Explanation of the sign	8
4. Technical data	8
5. Mains connection	8
6. Start-up and operation	8
7. Notes on working practice	8
8. Maintenance, care and storage	9
9. Troubleshooting	9
10. Waste disposal	9
11. Ordering replacement parts	9





General safety regulations for electric tools

⚠ CAUTION: Read all safety regulations and instructions.

Any failures made in following the safety regulations and instructions may result in an electric shock, fire and/or serious injury.

Keep all safety regulations and instructions in a safe place for future use.

The term “electric tool” used in the safety regulations refers to electric tools operated from the mains power supply (with a power cable) and to battery operated electric tools (without a power cable).

1. Workplace safety

- **Keep your work area clean and well illuminated.** Untidy or unlit work areas can result in accidents.
- **Do not use this tool in a potentially explosive environment containing combustible liquids, gases or dust.**
Electric tools generate sparks, which can in turn ignite dust or vapors.
- **Keep children and other persons away from the electric tool while it is being used.**
Allowing yourself to get distracted can cause you to lose control of the tool.

2. ELECTRICAL SAFETY

- **The tool’s connector plug must be able to fit into the socket outlet. Do not modify the plug in any way! Do not use adapter plugs in conjunction with electrically grounded tools.**
Unmodified plugs and matching socket outlets reduce the risk of an electric shock.
- **Avoid touching grounded surfaces, such as those of pipes/tubes, heaters, cookers and refrigerators.**
There is an increased risk of getting an electric shock if you are electrically grounded.
- **Keep the tool away from rain and moisture/wet conditions.**
Penetration of water into an electric tool increases the risk of an electric shock.
- **Do not use the cable to carry the tool, hang it up or pull the plug out of the socket. Keep the cable away from sources of heat, oil, sharp edges and moving tool parts.**
Damaged or tangled cable increases the risk of an electric shock.

- **If you intend to use an electric tool outdoors, ensure that you only use extension cable that is approved for outdoor applications.**
Using extension cable that is approved for outdoor applications reduces the risk of an electric shock.
- **If operation of the electric tool in a damp environment can not be avoided, use a earth-leakage circuit-breaker.** The earth-leakage circuit-breaker reduces the risk of an electric shock.

3. PERSONAL SAFETY

- **Be alert, work conscientiously and exercise appropriate caution when using the electric tool. Do not use the tool if you are tired or are under the influence of drugs/medication or alcohol.**
One moment of carelessness or lack of attention when using the electric tool can cause serious bodily injury!
- **Always wear personal protective equipment (PPE), including safety goggles.**
Wearing personal protective equipment such as a dust mask, non-slip footwear, protective headgear and ear muffs (depending upon the type of electric tool and the particular application) reduces the risk of sustaining injury.
- **Make sure that the tool cannot start up accidentally. Ensure that the electric tool is switched off before you connect the tool to the power supply and/or insert the battery, or pick up or carry the tool.**
Physically touching the switch with your finger when carrying the tool or connecting the tool to the power supply switched on can lead to accidents.
- **Remove adjusting tools/wrench(es) prior to switching on the power tool.**
A tool or wrench that is positioned inside a rotating power tool part can cause injury.
- **Avoid abnormal working postures. Make sure you stand squarely and keep your balance at all times.**
This way, you will be able to have better control over the tool in unexpected situations.
- **Wear suitable clothes. Never wear loose fitting clothes or jewelry. Keep hair, clothes and gloves away from moving parts.**
Loose clothing, dangling jewelry and long hair can be caught by moving parts.
- **If dust extraction and dust collection devices can be mounted, ensure that these are connected and are properly used.**
The use of a dust extraction system can reduce the danger posed by dust.

4. Using the treatment of electric tools

- **Do not overload your tool. Only use suitable electric tools to perform your work.**

Using the right electric tool allows you to work better and safer within the tool's quoted capacity range.

- **Do not use an electric tool whose switch is defective.**

An electric tool that no longer can be switched on or off is dangerous and must be repaired.

- **Pull the plug out of the socket and/or remove the battery before making any adjustments to the tool, changing accessories or put the tool down.**

This precaution eliminates the possibility of inadvertently starting the tool.

- **When not in use, store electric tools out of the reach of children. Do not allow those persons to use this tool who are unfamiliar with it or who have not read these instructions.**

Electric tools are dangerous when they are used by inexperienced persons.

- **Take good care of your tool. Check that moving parts properly function and do not jam, that parts are not broken off or damaged in any way and that the tool can be used to its full capacity. Have damaged parts repaired prior to using the tool.**

The cause of many accidents can be traced back to poorly maintained electric tools.

- **Keep your blades sharp and clean.**

Properly maintained blades with sharp edges jam less frequently and are easier to use.

- **Make sure to use electric tools, accessories, attachments, etc. in accordance with these instructions. Take the conditions in your work area and the job in hand into account.**

Using electric tools for applications other than those intended can lead to dangerous situations.

5. SERVICE

- **Have your tool repaired only by authorized specialists using original replacement parts.**

This will ensure that your tool remains safe to use.

Safety instructions for hedge trimmers

Read the safety instructions and operating instructions carefully and follow them.

1. Before carrying out any work on the hedge trimmer, pull the mains plug, for example
 - Cleaning the blades
 - Checking in the event of faults
 - Cleaning and maintenance
 - Putting down without supervision
2. This machine can cause serious injuries. Read the operating instructions carefully for details of the correct handling, preparation, maintenance, starting and shutting down the machine. Make yourself familiar with all the adjustable parts and how to use the machine correctly.
3. The hedge trimmer must be held in both hands.
4. Check the connection cable for signs of damage and ageing before use.
5. The hedge trimmer may only be used if the connection cable is undamaged.
6. Check the cutter at regular intervals for signs of damage and have any repair work to the cutting tool carried out correctly and then ask your electrician.
7. If the cutter blocks, for example due to thick branches, etc. the hedge trimmer must be stopped immediately – pull the plug and only then may the cause of the blockage be removed.
8. Always place the cover over the cutter when transporting and storing the machine.
9. Only use cables and plug equipment that is approved for outdoor use.
 - Connection cable HO7RN-F 2x1.0 with molded plug.
 - Extension cable HO7RN-F 3G1.5 with splash-proof plug with earth contact and protective contact coupling.
 - We recommend that you use a leakage current protection device or a residual current circuit breaker with a maximum trip current of 30 mA with electric tools. Ask your electrician.
10. Check and service the hedge trimmer properly at regular intervals. Only replace damaged blades in pairs. If the trimmer is damaged by dropping or striking, you must have it checked by an expert.
11. Do not use the machine if it has a damaged or excessively worn cutter.
12. Make yourself familiar with your surroundings and watch for possible dangers that you may not be able to hear due to the noise generated by the machine.
13. Never try to work with an incomplete machine or a machine with unapproved modifications.
14. Do not use the hedge trimmer when people are nearby, particularly children or animals.
15. Children are not allowed to use the hedge trimmer.
16. Always ensure that all the handles and safety equipment is fitted when the hedge trimmer is in use.
17. **Keep all body parts away from the blade.**

Never attempt to remove the cuttings with the blades running or to hold material you wish to cut. Always switch off the device before attempting to remove any jammed cuttings. A memory of inattentiveness when using the hedge trimmer may result in serious injuries.

18. **Hold the hedge trimmer by the handled when the blades are at a standstill, always close the safety cover when transporting or storing the hedge trimmer.** Handling the machine with care will reduce the risk of injury from the blades.
19. **Keep the cable away from the cutting area.** Whilst you are working the cable may be covered in the branches which means that you might cut through it by accident,
20. Look in the hedge for concealed objects, such as wire fences, before starting work.
21. If the connection lead has to be replaced, this work must be carried out by the manufacturer or one of its agents to prevent safety risks.

2. Layout (see Fig. 1)

1. Cutter rail
2. Hand guard
3. Steady grip with button switch
4. Handle with button switch
5. Stress-relief clip
6. Power cable
7. Cutter guard

Important! You must never use the hedge trimmer without wearing gloves.

3. Explanation of the sign (see Fig. 3)

1. Warning
2. Keep out of the rain and protect from getting wet.
3. Read the operating instructions before using for the first time.
4. Pull the plug from the power supply immediately if the cable gets damaged or severed.
5. Wear goggles and ear muffs.

4. Technical data

Mains connection	230-240 V ~ 50 Hz
Power input	550 watts
Cutting length	465 mm
Blade length	540 mm
Tooth spacing	18 mm

Cuts/min	3200
Cutting thickness max.	14 mm
LWA sound power level	99 dB(A)
LPA sound pressure level	84.4 dB(A)
Vibration a_w :	2.2 m/s ²
Weight	3.0 kg

5. Mains connection

The machine may only be operated with single-phase alternating current from a 230V AC 50Hz supply. Before you use the machine, make sure that the mains voltage complies with the specifications on the rating plate.

6. Start-up and operation

Important! This hedge trimmer is suitable for cutting hedges, bushes and shrubs. Any use which is not expressly permitted in manual may result in damage to the hedge trimmer and place the user in serious danger.

The hedge trimmer is equipped with a two-handed safety switch.

The machine works only when the switch on the steady grip (Figure 2 / Item 1) is pressed with one hand and the switch on the handle (Figure 2 / Item 2) is pressed with the other hand.

If either switch is released, the cutters will stop moving.

Please watch out for the cutters as they slow down to a standstill.

- Please check that the cutters work properly. The twin-bladed cutters rotate in opposite directions, thus guaranteeing high cutting performance and smooth operation.
- Before use, fasten the extension cable in the stress-relief clip (see Fig. 4).
- When working outdoors, use extension cables that are approved for the purpose.

7. Notes on working practice

- A hedge trimmer can be used to cut shrubs and bushes as well as hedges.
- To obtain the best cutting results, hold the hedge trimmer so that the cutter teeth are at an angle of approx. 15° in relation to the hedge (see Figure 5).
- The twin-bladed cutters rotate in opposite direc-

tions, thus enabling cutting in both directions (see Figure 6).

- It is recommended to tie a guide line of string or the like along the hedge so that you cut the hedge to a level height. Cut off all branches which protrude beyond the guide line (see Figure 7).
- Cut the sides of the hedge with curve-shaped movements from the bottom up (see Figure 8).

8. Maintenance, care and storage

- Before you clean the machine or put it away, switch off and pull out the power plug.
- The cutters should be cleaned and lubricated at regular intervals in order to ensure best performance at all times. Remove deposits with a brush and apply a thin film of oil (see Figure 9).

Please use biologically degradable oils.

- Clean the plastic body with a mild household cleaning agent and a damp cloth. Do not use aggressive agents or solvents.
- Prevent water getting inside the device at all cost.

9. Troubleshooting

- The machine does not work: Check that the power cable is connected properly and check the mains fuses. If the machine will not work in spite of the voltage supply being OK, please contact the helpline.

10. Waste disposal

Important!

The hedge trimmer and its accessories are made of various types of material, such as metal and plastic. Defective components must be disposed of as special waste. Ask your dealer or your local council.

11. Ordering replacement parts

Please quote the following data when ordering replacement parts:

- Type of machine
- Article number of the machine
- Identification number of the machine
- Replacement part number of the part required

Helpline Numbers:

UK: 0151 649 1500

IRE: 189 094 6244



Konformitätserklärung

ISC-GmbH · Eschenstraße 6 · D-94405 Landau/Isar

D erklärt folgende Konformität gemäß EU-Richtlinie und Normen für Artikel
GB declares conformity with the EU Directive and standards marked below for the article
F déclare la conformité suivante selon la directive CE et les normes concernant l'article
NL verklaart de volgende conformiteit in overeenstemming met de EU-richtlijn en normen voor het artikel
E declara la siguiente conformidad a tenor de la directiva y normas de la UE para el artículo
P declara a seguinte conformidade de acordo com a directiva CE e normas para o artigo
S förklarar följande överensstämmelse enl. EU-direktiv och standarder för artikeln
FI ilmoittaa seuraavaa Euroopan unionin direktiivien ja normien mukaista yhdenmukaisuutta tuotteelle
N erklærer herved følgende samsvar med EU-direktiv og standarder for artikkel
RUS заявляет о соответствии товара следующим директивам и нормам ЕС
HR izjavljuje sljedeću uskladenost s odredbama i normama EU za artikl.
RO declară următoarea conformitate cu linia directoare CE și normele valabile pentru articolul.
TR ürün ile ilgili olarak AB Yönetmelikleri ve Normları gereğince aşağıdaki uygunluk açıklama masını sunar.
GR δηλώνει την ακόλουθη συμφωνία σύμφωνα με την Οδηγία ΕΕ και τα πρότυπα για το προϊόν

I dichiara la seguente conformità secondo la direttiva UE e le norme per l'articolo
DK attesterer følgende overensstemmelse i henhold til EU-direktiv og standarder for produkt
CZ prohlašuje následující shodu podle směrnic EU a norem pro výrobek.
H a következő konformitást jelenti ki a termékek-re vonatkozó EU-irányvonalak és normák szerint
SK pojednává sledečo skladnost po smernici EU in normah za artikel.
PL deklaruje zgodność wymienionego poniżej artykułu z następującymi normami na podstawie dyrektywy WE.
SK vydáva nasledujúce prehlásenie o zhode podľa smernice EU a noriem pre výrobok.
BG декларира следното съответствие съгласно директивите и нормите на ЕС за продукта.
UKR заявляє про відповідність згідно з Директивою ЄС та стандартами, чинними для даного товару
EE deklareerib vastavuse järgnevale EL direktiivi dele ja normidele
LT deklaruoja atitikti pagal ES direktyvas ir normas
RS izjavljuje sledeći konformitet u skladu s odredbom EZ i normama za artikl
LV Atbilstības sertifikāts apliecina zemāk minēto preču atbilstību ES direktīvām un standartiem
IS Samræmisýfirlýsing staðfestir eftirfarandi samræmi samkvæmt reglum Evfrópubandalagsins og stöðlum fyrir vörur

Hedge Trimmer CXHT 550

- | | |
|---|---|
| <input checked="" type="checkbox"/> 98/37/EC | <input type="checkbox"/> 87/404/EEC |
| <input checked="" type="checkbox"/> 73/23/EEC_93/68/EEC | <input type="checkbox"/> R&TTED 1999/5/EC |
| <input type="checkbox"/> 97/23/EC | <input checked="" type="checkbox"/> 2000/14/EC_2005/88/EC: L _{WM} = 95 dB; L _{WA} = 99 dB |
| <input checked="" type="checkbox"/> 2004/108/EC | <input type="checkbox"/> 95/54/EC: |
| <input type="checkbox"/> 90/396/EEC | <input type="checkbox"/> 97/68/EC: |
| <input type="checkbox"/> 89/686/EEC | |

EN 50144-1; EN 50144-2-15; EN 55014-1; EN 55014-2; EN 61000-3-2; EN 61000-3-3; KBV V

Landau/Isar, den 25.09.2007

Weichselgartner
General-Manager

Gottelt
Product-Management

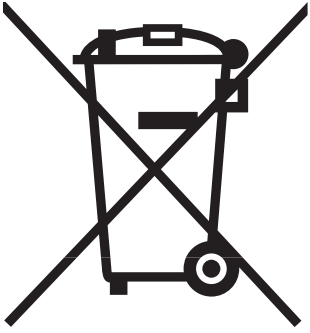
Art.-Nr.: 34.034.42 I.-Nr.: 01017
Subject to change without notice

Archivierung: 3403440-07-4175500

©

The reprinting or reproduction by any other means, in whole or in part, of documentation and papers accompanying products is permitted only with the express consent of ISC GmbH.

© Technical changes subject to change



Ⓒ For EU countries only

Never place any electric tools in your household refuse.

To comply with European Directive 2002/96/EC concerning old electric and electronic equipment and its implementation in national laws, old electric tools have to be separated from other waste and disposed of in an environment-friendly fashion, e.g. by taking to a recycling depot.

Recycling alternative to the demand to return electrical devices:

As an alternative to returning the electrical device, the owner is obliged to cooperate in ensuring that the device is properly recycled if ownership is relinquished. This can also be done by handing over the used device to a returns center, which will dispose of it in accordance with national commercial and industrial waste management legislation. This does not apply to the accessories and auxiliary equipment without any electrical components which are included with the used device.