

Original operating instructions
Garage vac

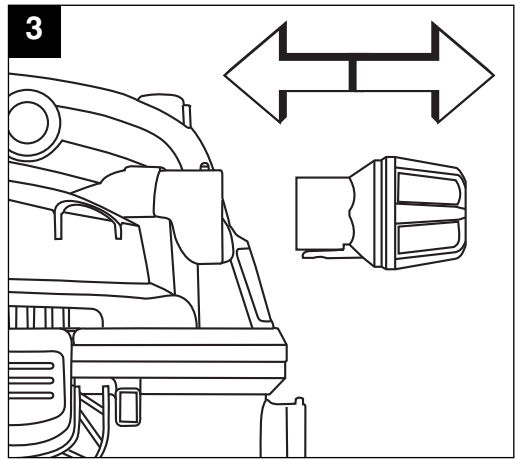
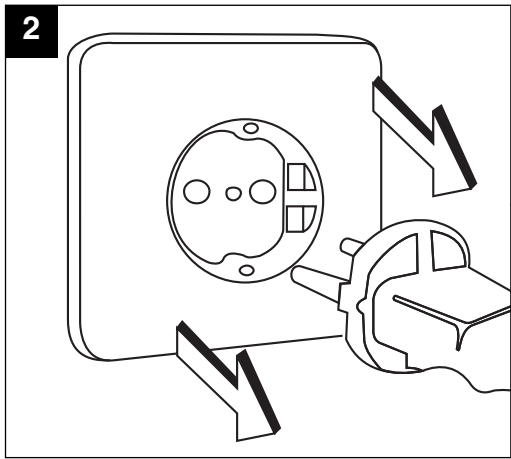
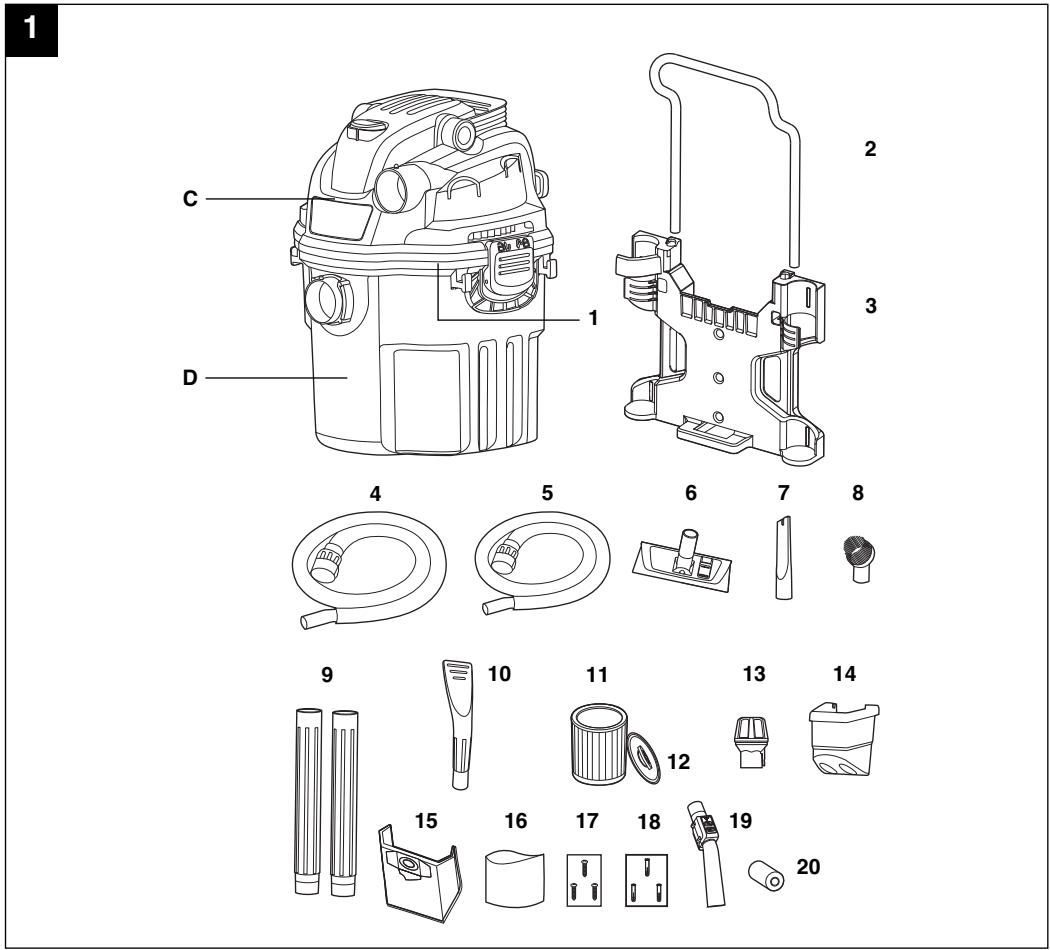
Einhell[®]

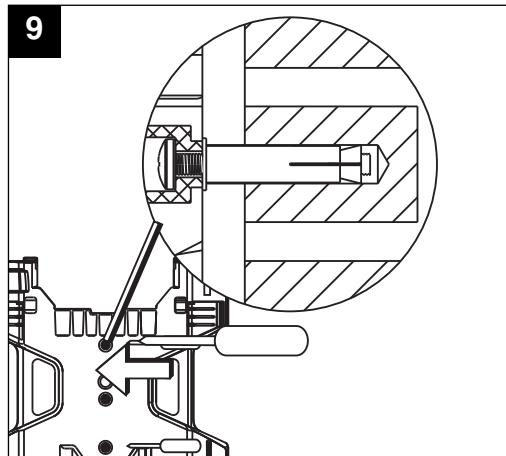
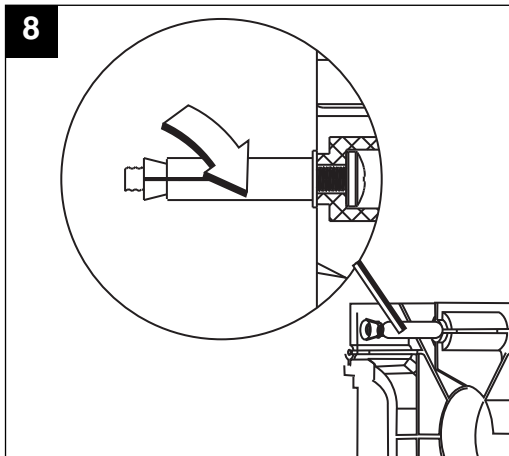
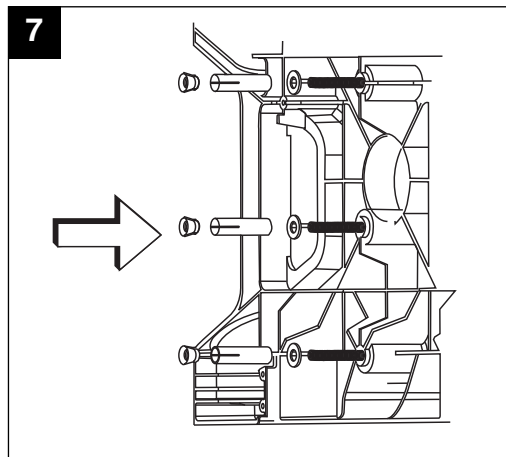
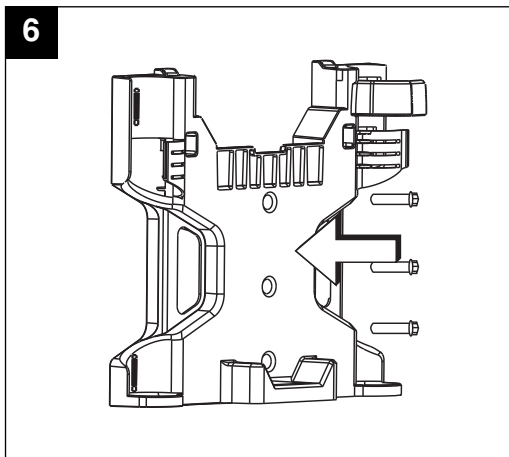
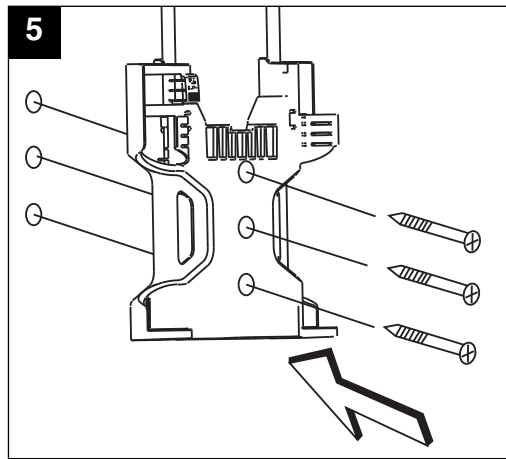
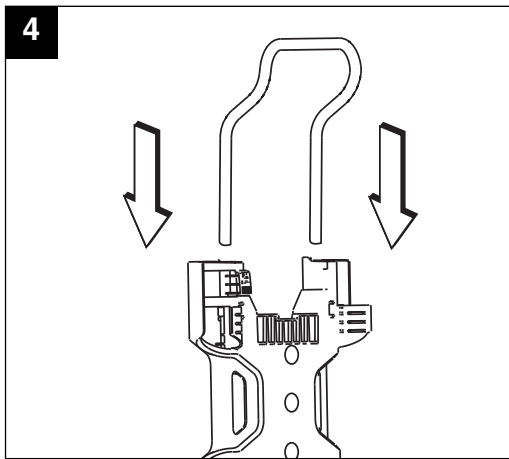
7

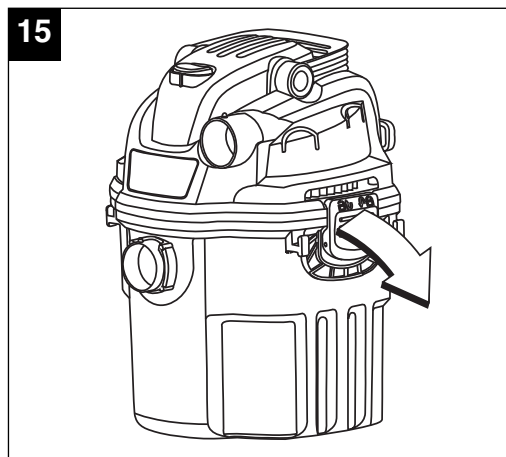
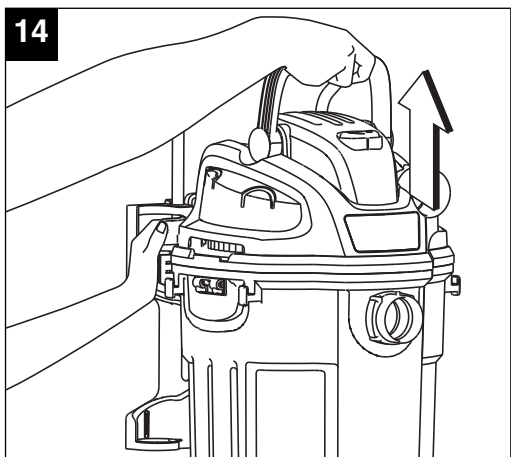
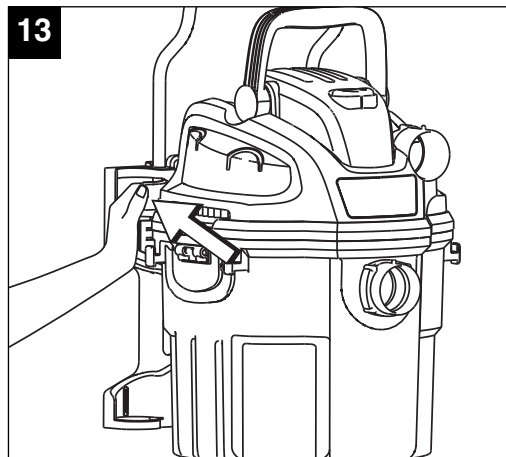
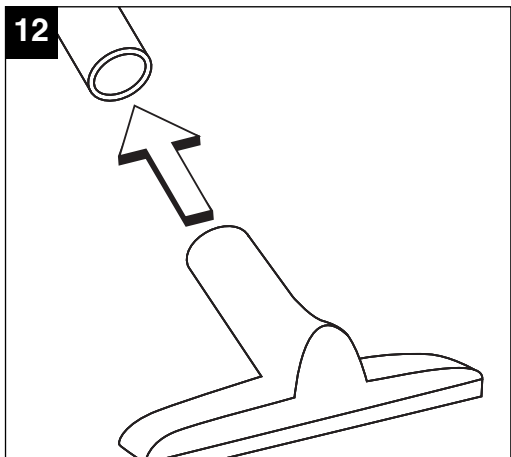
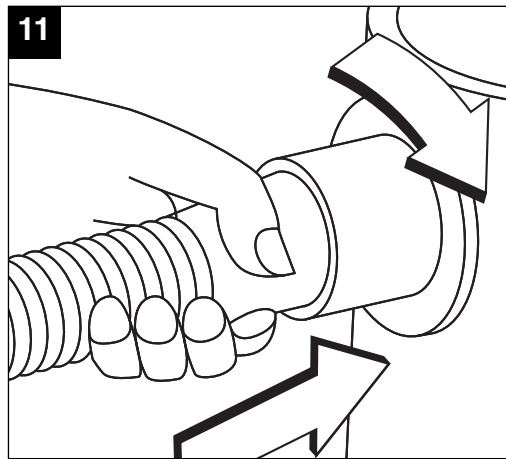
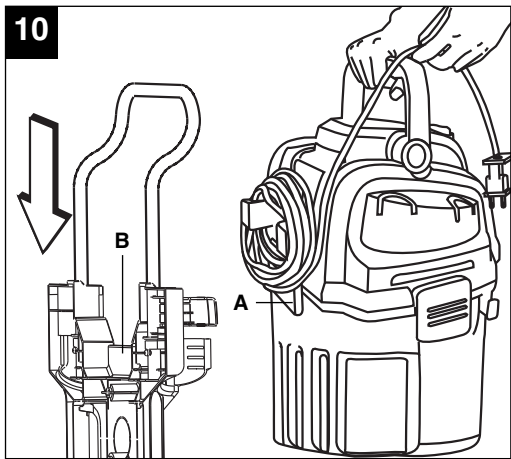
Art.-Nr.: 23.423.31

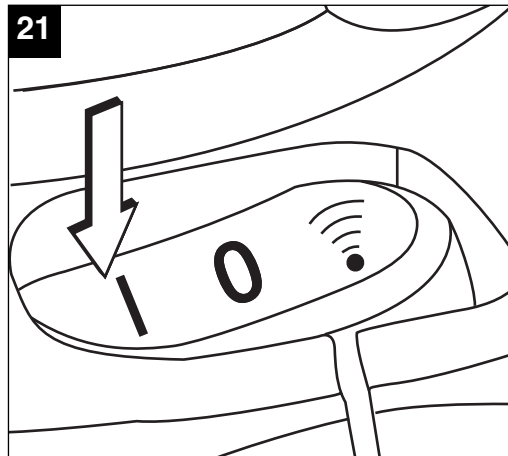
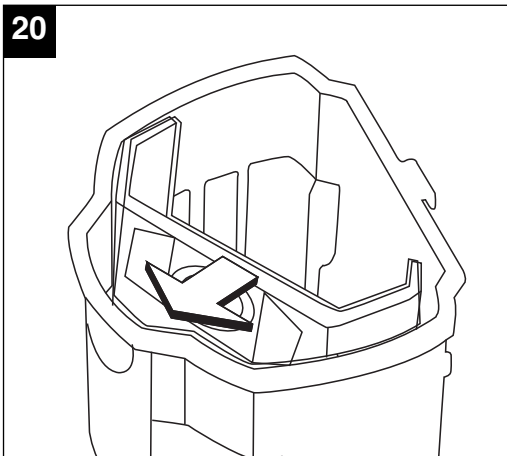
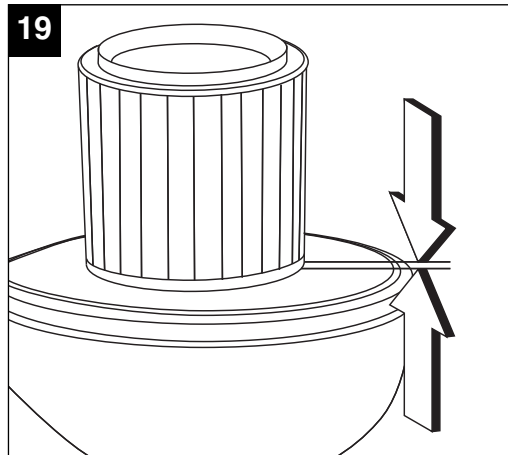
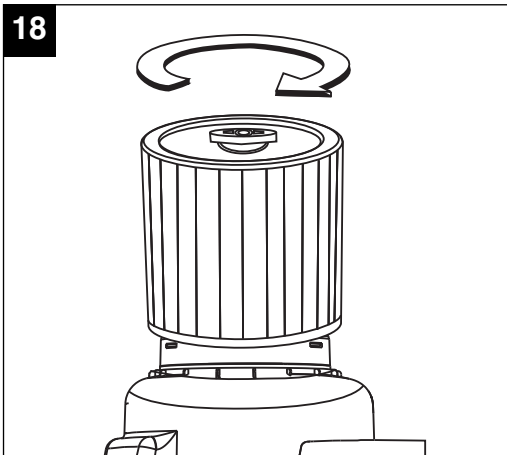
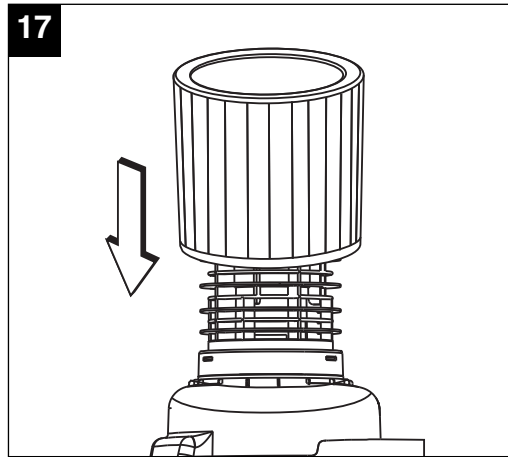
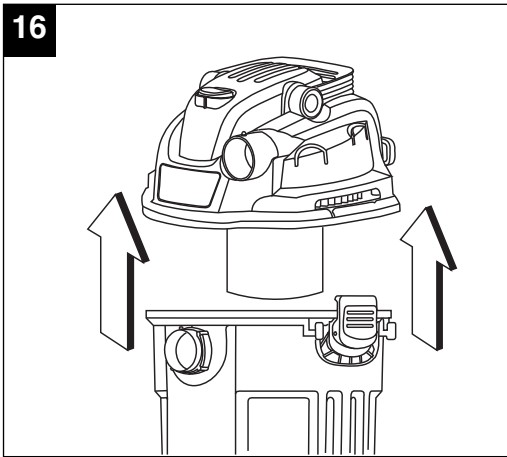
I.-Nr.: 11011

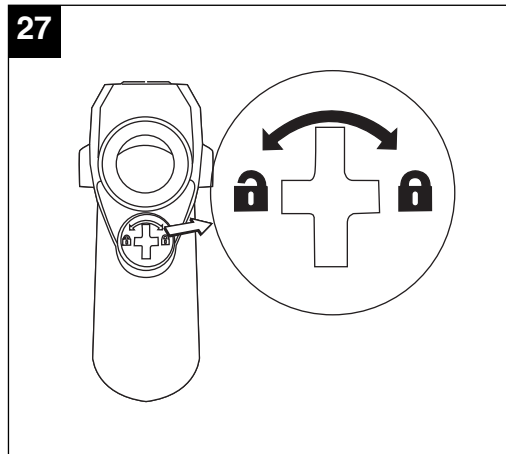
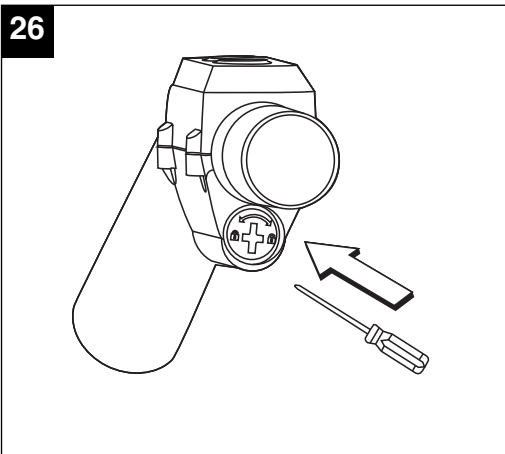
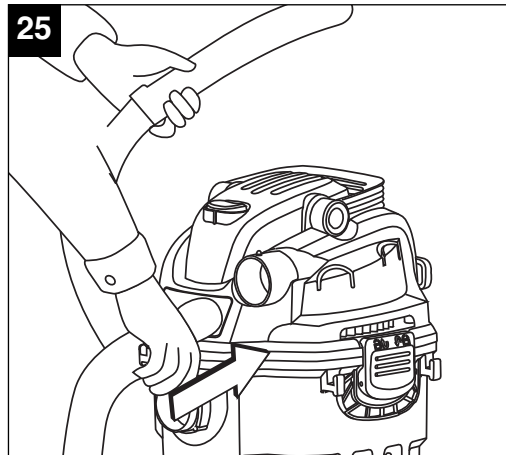
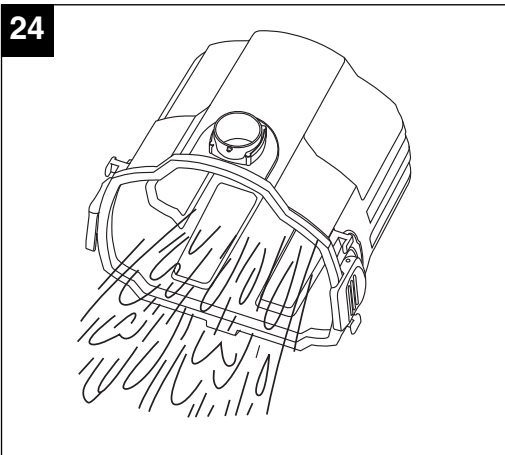
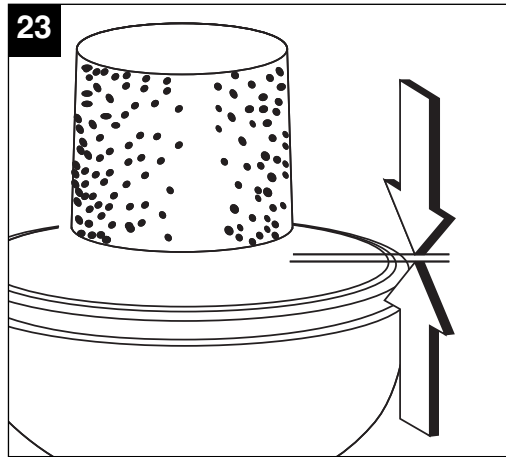
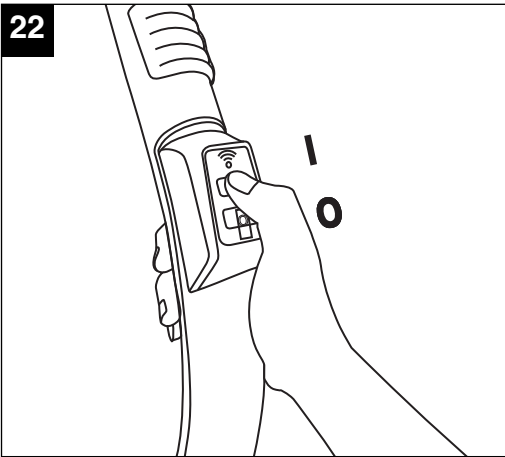
RT-vc 1500 WM



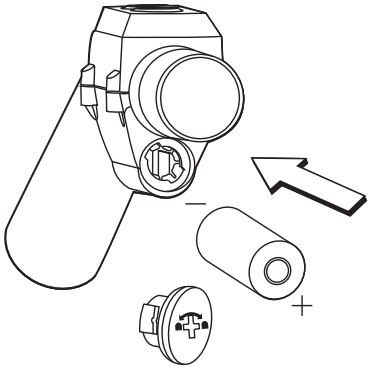




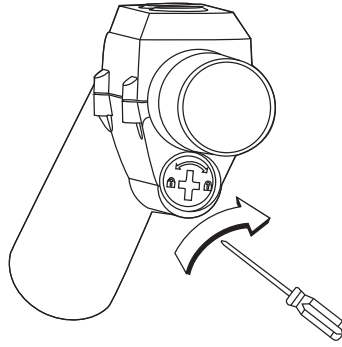




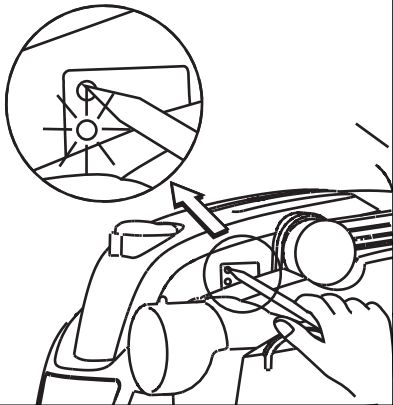
28



29



30



GB

Table of contents

1. Safety Information
2. Layout and items supplied
3. Proper use
4. Technical data
5. Before starting the appliance
6. Operation
7. Cleaning, maintenance and ordering of spare parts
8. Disposal and recycling
9. Disposal of batteries



“Caution - Read the operating instructions to reduce the risk of injury”

⚠ Caution

When using the appliance, a few safety precautions must be observed to avoid injuries and damage. Please read the complete operating and safety instructions with due care. Keep this manual in a safe place so that the information is available at all times. Hand over these operating and safety instructions if you give the appliance to any other person. We cannot accept any liability for damages or accidents arising from failure to follow these instructions and the safety instructions.

1. Safety Information**⚠ CAUTION**

Read all safety regulations and instructions. Any failure to observe the following safety regulations and instructions may result in electric shock, fire and/or serious injury.

Keep all safety regulations and instructions in a safe place for future use.

This appliance has not been designed for use by people (including children) with limited physical, sensory or mental capacities or by those with no experience and/or knowledge unless they are supervised by a person who is responsible for their safety or unless they have received instructions from such a person in how to use the appliance safely. Children must always be supervised in order to ensure that they do not play with the appliance.

- If the machine is not in use for a long time, the batteries should be removed.
- **If the appliance is used improperly, this can lead to leakage of the battery. Avoid contact with the battery fluid. If you come into contact with battery fluid, clean this part of your body with running water. If battery fluid comes into contact with eyes, seek the advice of a doctor immediately.**
- Leaked battery fluids can lead to skin irritation or burns.

Important information

- Important: Read the operating instructions before assembling and using the appliance for the first time.
- Check that the mains voltage matches the mains voltage specified on the rating plate.
- Pull out the power plug in the following circumstances:
 - whenever the appliance is not in operation
 - before opening the appliance
 - before cleaning and maintenance
- Never clean the appliance with solvents.

- Never pull the plug out of the socket by pulling the cable.
- Never leave the appliance unattended when operational.
- Keep away from children.
- Take care to ensure that the power cable does not get damaged by being run over, crushed, pulled or suchlike.
- Do not use the appliance if the power cable is in less than perfect condition.
- If the power cable has to be replaced, the replacement must comply with the design specifications of the manufacturer. Power cable: H 05 VV - F2 x 0.75
- Never vacuum the following: - Burning matches, smouldering ash and cigarette butts, combustible, caustic, inflammable or explosive substances, vapour or liquids.
- This appliance is not suitable for vacuuming dust which can be harmful to health
- Store the appliance in a dry indoor location.
- Never use the appliance if it is damaged.
- Only allow the appliance to be serviced by an authorized after sales service outlet.
- Only use the appliance to carry out work for which has been designed.
- Take extra care when vacuuming stairs.
- Use only original accessories and spare parts.
- If the power cable for this equipment is damaged, it must be replaced by the manufacturer or its after-sales service or similarly trained personnel to avoid danger.
- Recommendation: We recommend that the tool always be supplied via residual current device with a rated residual current of 30 mA or less.

2. Layout and items supplied (Fig. 1)

Take all parts out of the packaging and check that they are complete.

- 1 Wet and dry vacuum cleaner
- 2 Suspension bracket
- 3 Wall mount
- 4 2m suction hose
- 5 3.5m suction hose
- 6 Dual-purpose nozzle
- 7 Crevice nozzle
- 8 Circular brush
- 9 Suction tube
- 10 Flat nozzle
- 11 Pleated filter
- 12 Filter fastener
- 13 Exhaust air diffuser
- 14 Accessory container
- 15 Dirt bag

GB

- 16 Foam filter
- 17 Screws
- 18 Anchor fittings
- 19 Handle with remote control
- 20 Battery

- Original operating instructions

The extraction hose and its accessories are a 35 mm system, compatible with the standard accessories.

3. Proper use

The wet and dry vacuum cleaner is designed for wet and dry vacuuming using the appropriate filter. The appliance is not suitable for the vacuuming of combustible, explosive or harmful substances.

The appliance may only be used for the tasks it is designed to handle. Any other use is deemed to be a case of misuse. The user / operator and not the manufacturer will be liable for any damage or injuries of any kind caused as a result of this.

Please note that our appliance has not been designed for use in commercial, trade or industrial applications. Our warranty will be void if the appliance is used in commercial, trade or industrial businesses or for equivalent purposes.

4. Technical data

Mains voltage:	220-240 V ~ 50 Hz
Power input:	1500 W
Protection class:	II
Weight:	9.5 kg
Container volume:	18 l
Frequency:	433.92 MHz
Power:	< 10 mW
Notified body:	0678

5. Before starting the appliance

- Before you connect the appliance to the mains supply make sure that the data on the rating plate are identical to the mains data.
- Always pull the power plug before making adjustments to the appliance.
- Assemble the exhaust air diffuser. (Fig. 3)

5.1 General Assembly (Fig. 4)

- Assemble the wall mount so that the distance between the intake and the floor is no more than 1.5 m.
- Screw the wall mount to the wall. Secure the wall mount with the bolts.
- No other weight should be placed on the wall mount except for the appliance itself.
- Do not place a weight of more than 18 kg on the wall mount.
- Insert the hose suspension bracket into the aforementioned holes which are situated above the wall mount. Make sure the bend in the bracket faces away from the wall.
- Choose an area for the wall mount which is close enough to a socket which the cable can reach.

Regularly test the hold of the wall mount.

5.2 Fastening the wall mount to a wooden wall (Fig. 5)

- Make sure that the wall mount is level and mark the positions of the holes.
- Secure the wall mount with the screws and the anchor bolts.

5.3 Fastening the wall mount to a wall (Fig. 6-9)

- Choose a solid wall for the wall mount.
- Place the wall mount in the desired place and make sure the mount is level. Mark the positions of the holes. The holes should not be drilled into the mortar, but into the solid wall.
- Insert the screws into the holes in the wall mount. Attach the washers and dowels from the other side.
- Screw the nut onto the end of the screw. Tighten the nuts by one turn together with the conical anchor to make sure that the connection is not loose.
- Insert the bolts into the three holes in the wall and assemble the wall mount in position.

5.4 Attaching the wet and dry vacuum cleaner to the wall mount. (Fig. 10-14)

- Push the wet and dry vacuum cleaner into the two holding devices (A) and the frame of the wall mount (B) from above.
- Attach the accessory holder in the aforementioned place.
- Insert the end of the vacuum tube into the connection on the appliance.
- Attach the desired accessory.
- Press the release lever to remove the wet and dry vacuum cleaner. Pull the wet and dry vacuum cleaner out of the wall mount with the right hand using an upward motion.


6. Operation

For all works on the appliance, pull the mains plug out of the socket.

Switch symbol on the appliance:

0 = OFF

I = ON

 = Radio remote control

- Always use the appropriate filters for the appliance.
- Test the appliance for damage before each operation.

Remote control layout (Fig. 30):

- Set the switch on the appliance to "radio remote control".
- Press the "reset" button on the side of the head for 15 seconds, e.g. with a pencil point, until the display is lit up.
- At the same time press down the "0" or "I" switch on the remote control for 15 seconds.
- After the display flashed 3 times, the remote control is set.

6.1 Dry vacuuming (Fig. 15 - 22)

- Use the pleated filter (11) and dirt bag (15) for dry vacuuming.
- Remove the operating head (C) from the bin (D).
- Attach the pleated filter (11).
- Before dry operation, make sure the pleated filter is securely attached. Please note that the filter should be pushed onto on the operating head up to the stop. (Fig. 19)
- Attach the filter holder (12) onto the pleated filter and lock it by pressing it and turning it clockwise at the same time.
- When vacuuming fine dirt, use the dirt bag (15) in addition inside the bin. This will ensure that the pleated filter does not fill up too quickly and therefore helps the vacuuming power last longer. In addition, it makes it easier to dispose of the dust. Slip the dirt bag over the vacuuming hole. The dirt bag is suitable for dry-vacuuming only.
- Set the operating head back onto the bin and close it with the fastening lug.
- Switch the appliance ON by moving the switch to position "I". When using the remote control, change the switch to the "radio" position. The wet and dry vacuum cleaner will now be switched ON and OFF at the handle (19) with the remote control if you press down the "ON" switch on the

remote control down for 1 second.

- To switch the wet and dry vacuum cleaner OFF, move the switch to position "0" or press down the "OFF" button on the remote control for one second.

6.2 Wet vacuuming (Fig. 6, 23-24)

Caution: When vacuuming larger amounts of fluid, we recommend removing the wet and dry vacuum cleaner from the wall mount and place it on the floor. If the appliance is full of fluid, it will be more difficult to lift the vacuum cleaner out of the wall mount. The pleated filter cartridge may not be used for wet vacuuming. Protect the remote control from moisture.

- Remove the operating head (C) from the bin.
- Remove the pleated filter (11) and attach the foam filter (16) to the filter cage. Attach the operating head back onto the bin.
- Switch the appliance off after wet vacuuming and remove the mains plug from the electrical supply. Clean the bin. Remove the foam filter, clean it with liquid soap and leave it to dry before storing the appliance.

When extracting larger amounts of fluid, the nozzle should not be fully immersed in the fluid. Leave a gap in the tip of the nozzle so that additional air can be taken in. The appliance is fitted with a float which prevents overflow of the bin. If the appliance stops vacuuming, you will notice an increase in motor speed (if the motor is "whining"). If this happens, switch the appliance off immediately, disconnect it from the power supply and remove the fluid. In order to start vacuuming again, attach the operating head back onto the bin.

6.3 Blasting function (Fig. 3, 25)

- Make sure the bin is empty.
 - Remove the exhaust air diffuser from the blower connection.
 - Remove the suction hose from the suction connection and attach it to the blower connection
 - Attach the desired accessory to the suction hose.
- Important: Do not direct the air flow at persons.**

6.4 Replacing the battery (Fig. 26-29)

- Use 23AE 12 V batteries.
- If you do not use the remote control over longer periods of time, please remove the batteries from the battery compartment. Leakage of battery fluid could damage the appliance.
- Do not put batteries on heaters or expose them to direct sunlight for long periods of time.
- Loosen the screw in a clockwise direction.
- Remove the screw and take the old battery out.

GB

- Insert the new battery.
- Close the battery compartment again

7. Cleaning, maintenance and ordering of spare parts

Caution: Always pull out the mains power plug before starting any cleaning work.
Protect the remote control from moisture!

7.1 Cleaning

- Keep all safety devices, air vents and the motor housing free of dirt and dust as far as possible.
- We recommend cleaning the appliance immediately after use.

7.2 Cleaning the appliance

- Clean the operating head (C) regularly with a damp cloth and some soft soap.
- Do not use cleaning agents or solvents; these may be aggressive to the plastic parts of the appliance.
- The bin (D) can be cleaned out (according to level of soiling) with some soft soap under running water.

7.3 Cleaning the filters

Clean the pleated filter (11) regularly by carefully patting it and cleaning it with a fine brush or hand brush.

Clean the foam filter (16) with a little soft soap under running water and allow it to air-dry.

7.4 Maintenance

To avoid hazards, always let the manufacturer, customer services or an expert repair any damage to the appliance.

7.5 Ordering replacement parts

Please provide the following information on all orders for spare parts:

- Model/type of the appliance
- Article number of the appliance
- ID number of the appliance
- Spare part number of the required spare part

For our latest prices and information please go to www.einhell.com.au

8. Disposal and recycling

The appliance is supplied in packaging to prevent it from being damaged in transit. This packaging is raw material and can therefore be reused or can be recycled. The appliance and its accessories are made of various types of material, such as metal and plastic. Defective components must be disposed of as special waste. Ask your dealer or your local council.

9. Disposal of batteries

Batteries contain substances harmful to the environment. Never place batteries in your household refuse, in fire or in water. Batteries should be collected, recycled or disposed of in an environmentally friendly way. Seek advice on correct disposal from local waste authorities.



The guarantee provided in this Guarantee Certificate is given by Einhell Australia Pty Limited
ACN 134 632 858 of 6/166 Wellington Street, Collingwood, Victoria (Telephone number 1300 922 271)
(Einhell Express Guarantee).

GUARANTEE CERTIFICATE

Dear Customer,

All of our products undergo strict quality checks. In the unlikely event that your device develops a fault, please contact our service department at the address shown on this guarantee certificate. Of course, if you would prefer to call us then we are also happy to offer our assistance under the service number printed below. Please note the following terms under which claims under the Einhell Express Guarantee can be made:

1. The benefits conferred by the Einhell Express Guarantee are in addition to all rights and remedies which you may be entitled to under the Australian Consumer Law, and any other statutory rights you may have under other applicable laws. This Einhell Express Guarantee does not exclude, restrict or modify any such rights or remedies.

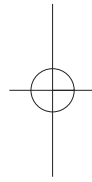
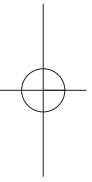
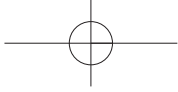
We do not charge you for the Einhell Express Guarantee.

2. Our goods come with guarantees that cannot be excluded under the Australian Consumer Law. You are entitled to a replacement or refund for a major failure and for compensation for any other reasonably foreseeable loss or damage. You are also entitled to have the goods repaired or replaced if the goods fail to be of acceptable quality and the failure does not amount to a major failure.
3. The Einhell Express Guarantee only covers problems caused by material or manufacturing defects, and our liability under the Einhell Express Guarantee is limited, at our discretion, to the rectification of these defects or replacement of the product. Please note that the product has not been designed for use in commercial, trade or industrial applications. Consequently, the Einhell Express Guarantee will not apply if the product is used in commercial, trade or industrial applications or for other equivalent activities.
4. The following are also excluded from the Einhell Express Guarantee: compensation for transport damage, damage caused by failure to comply with the installation/assembly instructions or damage caused by unprofessional installation, failure to comply with the operating instructions (e.g. connection to the wrong mains voltage or current type), misuse or inappropriate use (such as overloading of the product or use of non-approved tools or accessories), failure to comply with the maintenance and safety regulations, ingress of foreign bodies into the product (e.g. sand, stones or dust), effects of force or external influences (e.g. damage caused by the product being dropped) and normal wear resulting from proper operation of the product. The Einhell Express Guarantee will also not apply if any attempt is made to tamper with the product.
5. The Einhell Express Guarantee is valid for a period of 2 years starting from the purchase date of the product. Claims made under the Einhell Express Guarantee should be submitted before the end of this guarantee period and within two weeks of the defect being noticed. No claims under the Einhell Express Guarantee will be accepted if submitted after the end of this guarantee period. The original guarantee period remains applicable to the device even if repairs are carried out or parts are replaced. In such cases, the work performed or parts fitted will not result in an extension of the guarantee period for the Einhell Express Guarantee, and the Einhell Express Guarantee will not apply for the work performed or parts fitted. This also applies when an on-site service is used.
6. To make a claim under the Einhell Express Guarantee, please send the relevant product postage-free to the address shown below and enclose either the original or a copy of your sales receipt or another dated proof of purchase. It would help us if you could describe the nature of the problem in as much detail as possible. If the defect is covered by the Einhell Express Guarantee, your product will be repaired immediately and returned to you, or we will send you a new device (at our election).

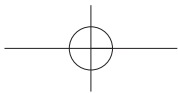
Any costs incurred by you in making a claim under this Einhell Express Guarantee, unless specified otherwise in this guarantee certificate, must be borne by you.

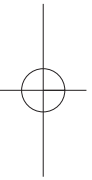
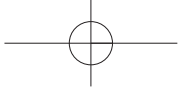
Of course, we are also happy to offer a chargeable repair service for any defects which are not covered by the scope of the Einhell Express Guarantee or for products which are no longer covered by the Einhell Express Guarantee. To take advantage of this service, please send the product to our service address.

EINHELL AUSTRALIA PTY LTD
6/166 Wellington Street
Collingwood VIC 3066
Australia
Phone: 1300 922 271

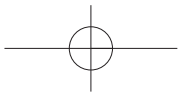


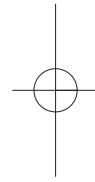
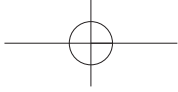
EH 04/2012 (02)





EH 04/2012 (02)





EH 04/2012 (02)

