



[www.lidl-service.com](http://www.lidl-service.com)



## COMPRESSOR PKO 400 B2

GB

### COMPRESSOR

Operation and Safety Notes  
Original operating instructions

SK

### KOMPRESOR

Pokyny pre obsluhu a bezpečnostné pokyny  
Originálny návod na obsluhu

RO

### COMPRESSOR

Indicații de siguranță și de folosire  
Instrucțiuni de utilizare originale

CZ

### KOMPRESOR

Pokyny pro obsluhu a bezpečnostní pokyny  
Originální návod k obsluze

PL

### KOMPRESOR

Wskazówki dotyczące obsługi i bezpieczeństwa  
Instrukcją oryginalną

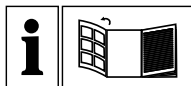
DE AT CH

### KOMPRESSOR

Bedienungs- und Sicherheitshinweise  
Originalbetriebsanleitung

IAN 89566





(GB)

Before reading, unfold the page containing the illustrations and familiarise yourself with all functions of the device.

(CZ)

Před čtením si otevřete stranu s obrázky a potom se seznámte se všemi funkcemi přístroje.

(SK)

Pred čítaním si odklopte stranu s obrázkami a potom sa oboznámte so všetkými funkciami prístroja.

(PL)

Przed przeczytaniem proszę rozłożyć stronę z ilustracjami, a następnie proszę zapoznać się z wszystkimi funkcjami urządzenia.

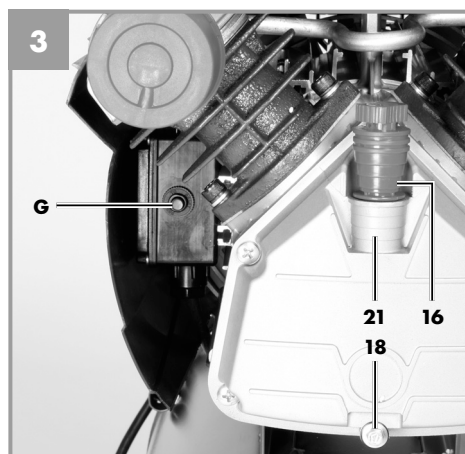
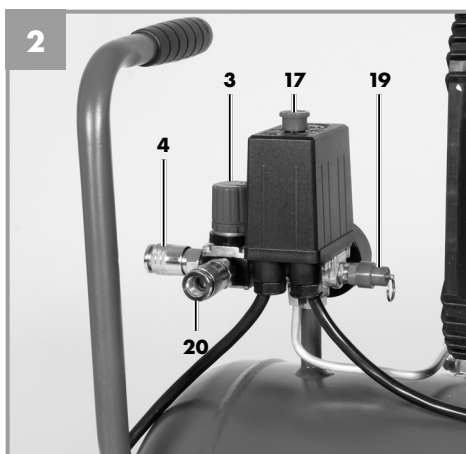
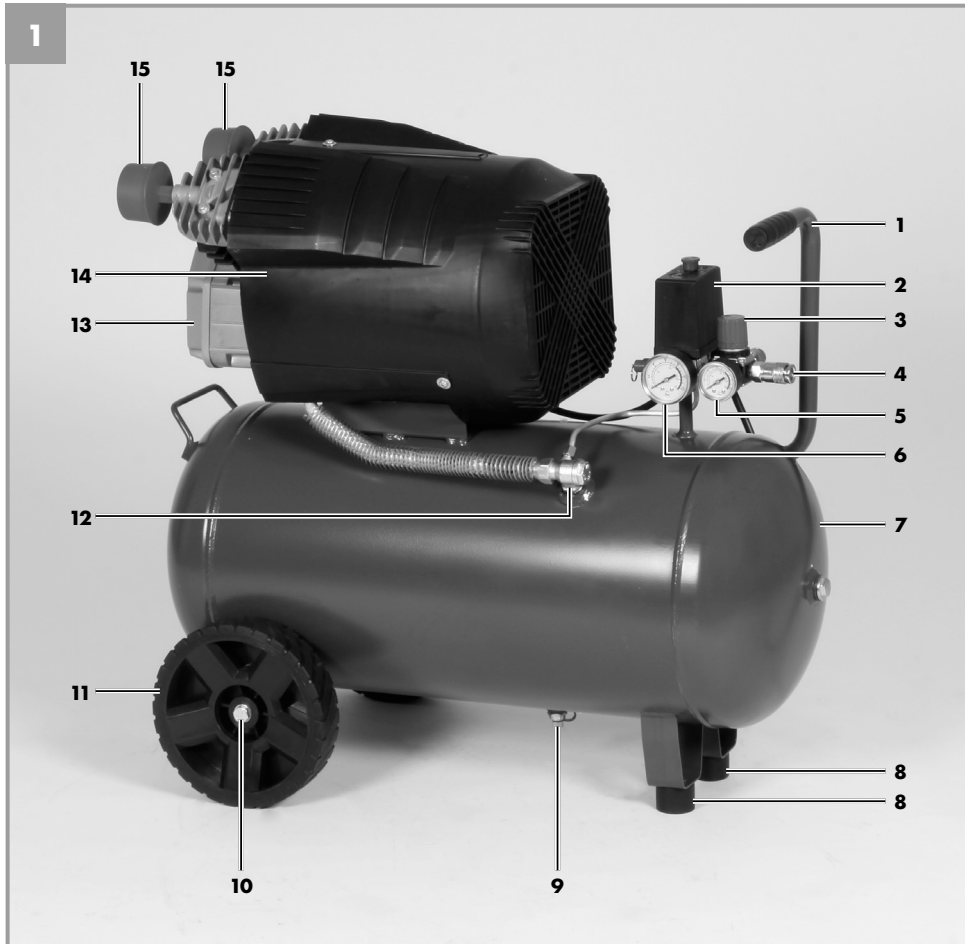
(RO)

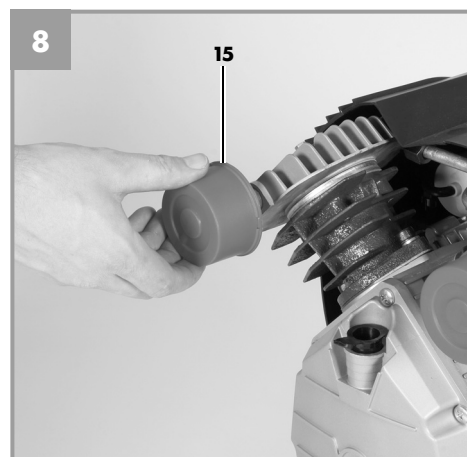
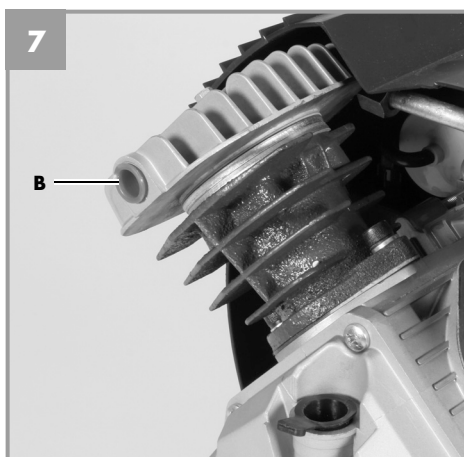
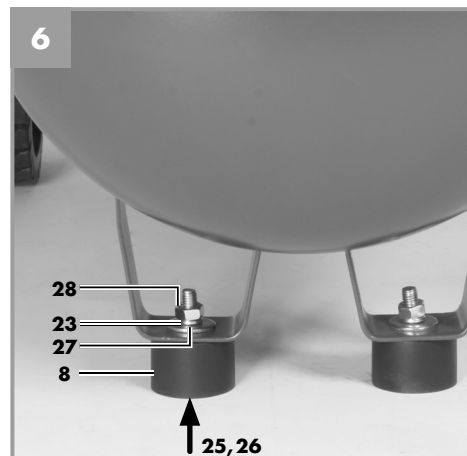
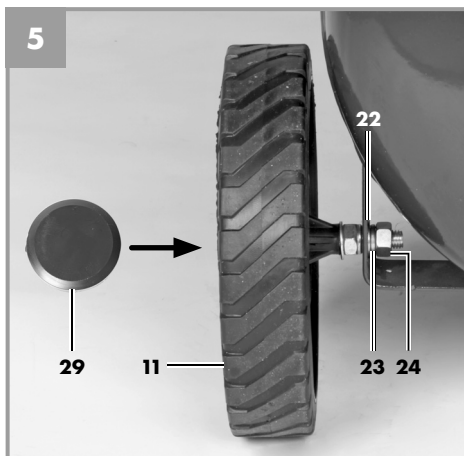
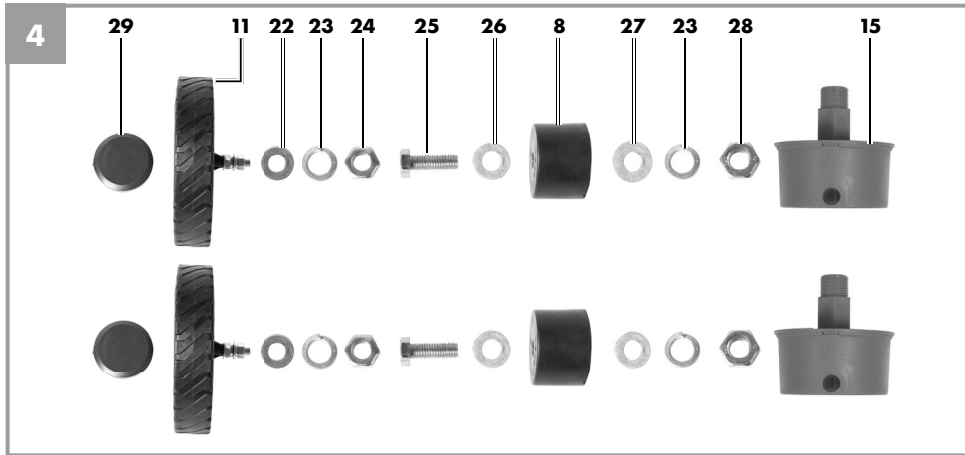
Înainte de a citi instrucțiunile, deschideți pagina cu figuri și apoi familiarizați-vă cu toate funcțiile aparatului.

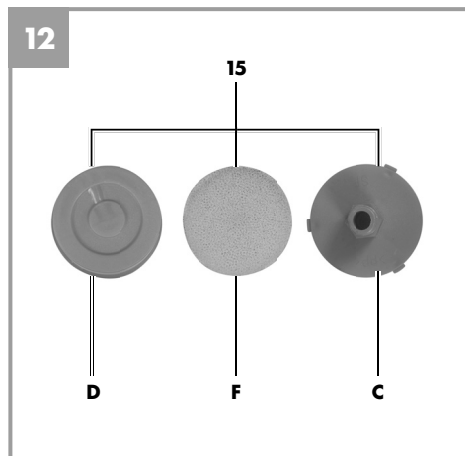
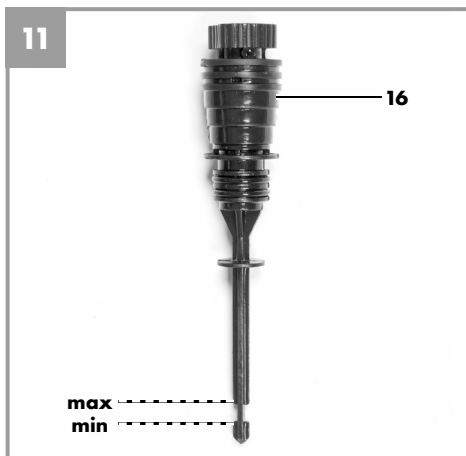
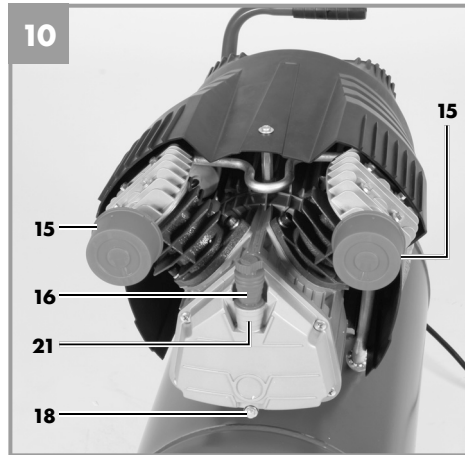
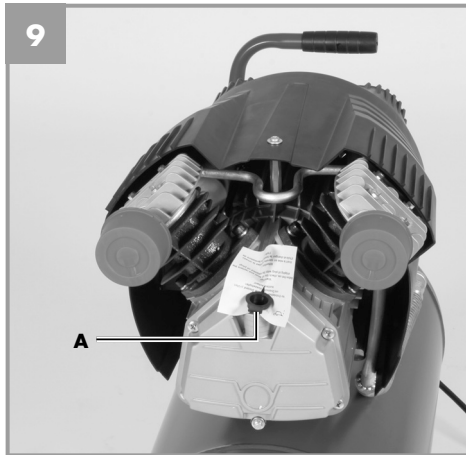
(DE) (AT) (CH)

Klappen Sie vor dem Lesen die Seite mit den Abbildungen aus und machen Sie sich anschließend mit allen Funktionen des Gerätes vertraut.

GB	Operation and Safety Notes	Page	6
CZ	Pokyny pro obsluhu a bezpečnostní pokyny	Strana	19
SK	Pokyny pre obsluhu a bezpečnostné pokyny	Strana	32
PL	Wskazówki dotyczące obsługi i bezpieczeństwa	Strona	45
RO	Indicații de siguranță și de folosire	Pagina	60
DE/AT/CH	Bedienungs- und Sicherheitshinweise	Seite	74









## Table of contents

1. Introduction.....	8
2. Safety regulations .....	8
3. Layout and items supplied.....	10
4. Proper use.....	11
5. Technical data.....	11
6. Before starting the equipment .....	12
7. Assembly and starting .....	12
8. Replacing the power cable.....	13
9. Cleaning, maintenance, storage, ordering spare parts and transport.....	13
10. Disposal and recycling .....	15
11. Possible causes of failure.....	16
12. Declaration of conformity.....	17
13. Warranty certificate.....	18

The reprinting or reproduction by any other means, in whole or in part, of documentation and papers accompanying products is permitted only with the express consent of the iSC GmbH.

Subject to technical changes



**Caution** - Read the operating instructions to reduce the risk of injury



**Wear ear-muffs.** The impact of noise can cause damage to hearing.



**Beware of electrical voltage!**



**Beware of hot parts!**



**Warning!** The equipment is remote-controlled and may start-up without warning.



**Caution!** Before using for the first time, check the oil level and replace the oil sealing plug!



**Important!** Do not open the stopcock/pressure regulator until the air hose is connected.



**OFF**



**ON**

If the equipment is overloaded, the overload switch will shut down in order to prevent damage. Once the equipment has cooled down, activate the button to start up again.

## 1. Introduction

Congratulations on your new purchase. You have decided in favor of a high-quality product. The operating instructions are a part of this product. They contain information of importance for your safety, for the use of the product and for its disposal. Before you use the product, acquaint yourself with all the information concerning its operation and safety. Use the product only as described and only for the listed areas of application. If you hand on the product to other people, give them all the documentation as well.

## 2. Safety regulations

### ⚠ Caution!

#### **Read all safety regulations and instructions.**

Any errors made in following the safety regulations and instructions may result in an electric shock, fire and/or serious injury.

#### **Keep all safety regulations and instructions in a safe place for future use.**

### 2.1 Safety information

#### **⚠ Important! The following basic safety actions must be taken when using this compressor in order to protect the user from electric shocks and the risk of injury and fire. Read and follow these instructions before using the equipment.**

- **Keep your work area tidy**  
Untidy work areas can result in accidents.
- **Check the ambient conditions**  
Do not expose the compressor to rain. Never use the compressor in damp or wet locations. There is a risk of electric shock! Provide good lighting. Do not use the compressor near flammable liquids or gases. There is a risk of explosion!
- **Protect yourself against electric shocks**  
Avoid bodily contact with earthed parts, e.g. pipes, radiators, cookers and refrigerators.
- **Keep children away!**  
Do not allow other persons to touch the compressor or cable, keep them away from your work area.
- **Keep your compressor in a safe place**  
When unused, the compressor must be stored in a dry, locked room out of children's reach.
- **Do not overload your compressor**  
It will run better and safer within its quoted capacity range.
- **Wear suitable work clothes**  
Never wear loose fitting clothes or jewellery. They may get caught in moving parts. Rubber gloves and non-slip shoes are recommended when working outdoors. Wear a hair net if you have long hair. Risk of injury!
- **Do not use the cable for purposes other than that for which it is designed**  
Do not carry the compressor by its cable and do not use the cable to pull the plug out of the socket. Protect the cable from heat, oil and sharp edges. The cable/plug could become damaged.
- **Take care of your compressor**  
Keep your compressor clean in order to work well and safely. Follow the maintenance instructions. Check the power plug and cable on a regular basis and have them replaced by an authorized specialist if they are damaged. Check the extension cable regularly and replace it if damaged.
- **Pull out the power plug**  
When not in use and before carrying out any maintenance work.
- **Avoid unintentional starting**  
Make sure that the switch is turned off when connecting to the power supply.
- **When using an extension cable outdoors**  
Check that it is approved for outdoor duty and is marked accordingly.
- **Be alert at all times**  
Watch what you are doing. Use common sense when working. Never use the compressor when you are distracted.
- **Check your compressor for damage**  
Before using the compressor again, carefully check the safety devices and any slightly da-



maged parts to ensure that they are in good working order. Check that the moving parts are working correctly, that they do not jam, and that no parts are damaged. Make sure that all parts are fitted correctly to ensure that the equipment remains safe to use. Unless otherwise stated in the operating instructions, damaged guards and parts have to be repaired or replaced by a customer service workshop. Damaged switches have to be replaced by a customer service workshop. Never use an electric power tool with a switch that cannot be turned on and off.

- **Important!**  
For your own safety you must only use the accessories and additional units listed in the operating instructions or recommended or specified by the manufacturer. The use of mounted tools or accessories other than those recommended in the operating instructions or catalog may place your personal safety at risk.
- **Leave all repairs to a qualified electrician**  
Repairs must be left strictly to qualified electricians or the user might suffer an accident.
- **Noise**  
Wear ear muffs when you use the compressor.
- **Replacing the power cable**  
To prevent hazards, leave the replacement of damaged power cables strictly to the manufacturer or a qualified electrician. There is a risk of electric shock!
- **Inflating tires**  
Directly after inflating tires, check the pressure with a suitable pressure gauge, for example at your filling station.
- **Roadworthy compressors for building site operations**  
Make sure that all lines and fittings are suitable for the maximum permissible operating pressure of the compressor.
- **Place of installation**  
Set up the compressor on an even surface.
- Make sure that all compressed air lines and fittings are suitable for the maximum permissible operating pressure of the compressor.
- For pressures above 7 bar it is recommended

to use an air line with a safety cable.

## 2.2 Safety instructions for working with compressed air and blasting guns

- The compressor pump and lines can become very hot during operation. Touching these parts will burn you.
- The air which is sucked in by the compressor must be kept free of impurities that could cause fires or explosions in the compressor pump.
- When releasing the hose coupling, hold the hose coupling piece with your hand. This way, you can protect yourself against injury from the rebounding hose.
- Wear safety goggles when working with the blow-out pistol. Foreign bodies or blown off parts can easily cause injuries.
- Do not blow at people with the blow-out pistol and do not clean clothes while being worn. Risk of injury!

## 2.3. Safety information for paint spraying

- Do not process any paints or solvents with a flash point below 55° C. There is a risk of explosion!
- Do not heat up paints or solvents. There is a risk of explosion!
- If hazardous liquids are processed, wear protective filter units (face guards). Also, adhere to the safety information provided by the manufacturers of such liquids.
- The details and designations of the Ordinance on Hazardous Substances, which are displayed on the outer packaging of the processed material, must be observed. Additional protective measures are to be undertaken if necessary, particularly the wearing of suitable clothing and masks.
- Do not smoke during the spraying process and/or in the work area. There is a risk of explosion! Paint vapors are easily combustible.
- Never set up or operate the equipment in the vicinity of a fire place, open lights or sparking machines.
- Do not store or eat food and drink in the work area. Paint vapors are harmful to your health.



GB

- The work area must exceed 30 m<sup>3</sup> and sufficient ventilation must be ensured during spraying and drying. Do not spray against the wind. Always adhere to the regulations of the local police authority when spraying combustible or hazardous materials.
- Do not process media such as white spirit, butyl alcohol and methylene chloride with the PVC pressure hose. These media will destroy the pressure hose.

#### 2.4 Operating pressure vessels

- You must keep your pressure vessel in good working order, operate the vessel correctly, monitor the vessel, carry out necessary maintenance and repair work immediately and meet the relevant safety precautions.
- The supervisory authority may enforce essential control measures in individual cases.
- A pressure vessel is not allowed to be used if it has faults or deficiencies that can endanger workers or third parties.
- Check the pressure vessel for signs of rust and damage each time before using. Do not use the compressor with a damaged or rusty pressure vessel. If you discover any damage, then please contact the customer service workshop.

**Do not lose these safety instructions**

### 3. Layout and items supplied

#### 3.1 Layout

1. Transport handle
2. Pressure switch
3. Pressure regulator
4. Quick-lock coupling  
(regulated compressed air)
5. Pressure gauge  
(for reading the preset pressure)
6. Pressure gauge  
(for reading the vessel pressure)
7. Pressure vessel
8. Supporting foot
9. Drain plug for condensed water
10. Axle screw

11. Wheel
12. Non-return valve with discharge line
13. Compressor pump
14. Housing
15. Air filter
16. Oil sealing plug with oil dipstick
17. ON/OFF switch
18. Oil drainage screw
19. Safety valve
20. Quick-lock coupling  
(unregulated compressed air)
21. Oil filler opening
22. Washer
23. Spring washer
24. Nut
25. Screw
26. Washer
27. Washer
28. Nut
29. Wheel cap

#### 3.2 Items supplied

- Open the packaging and take out the equipment with care.
- Remove the packaging material and any packaging and/or transportation braces (if available).
- Check to see if all items are supplied.
- Inspect the equipment and accessories for transport damage.
- If possible, please keep the packaging until the end of the guarantee period.

#### Important!

**The equipment and packaging material are not toys. Do not let children play with plastic bags, foils or small parts. There is a danger of swallowing or suffocating!**



## 4. Proper use

The compressor is designed to generate compressed air for compressed-air driven tools which can be driven with an air volume of up to approx. 360 l/min (e.g. a tire inflator, blow-out pistol and paint spray gun). Compressed air tools with very high air consumption have only limited suitability for use with this compressor. For tools with high air consumption (e.g. orbital sanders/grinders, rod grinders, hammer screwdrivers), check whether the compressor's air output is sufficient to operate the tool in question. The volume of air supplied by the compressor must be greater than the volume of air consumed by the compressed air tool at its operating pressure.

The equipment is to be used only for its prescribed purpose. Any other use is deemed to be a case of misuse. The user / operator and not the manufacturer will be liable for any damage or injuries of any kind caused as a result of this.

Please note that our equipment has not been designed for use in commercial, trade or industrial applications. Our warranty will be voided if the machine is used in commercial, trade or industrial businesses or for equivalent purposes.

## 5. Technical data

Mains connection:	230 V ~ 50 Hz
Motor rating kW:	S1 2400 W
	S2 30 min 2600 W
Compressor speed min <sup>-1</sup> :	2850
Operating pressure bar:	max. 8
Pressure vessel capacity (in liters):	50
Theoretical suction rate l/min.:	approx. 360
Effective delivery rate at 7 bar:	approx. 170 l/min
Sound power level L <sub>WA</sub> in dB:	96
K <sub>WA</sub> uncertainty:	2 dB
Sound pressure level L <sub>pA</sub> in dB:	74
K <sub>pA</sub> uncertainty:	2 dB
Protection type:	IP20
Weight of the unit in kg:	approx. 38.5
Oil (15W 40)	0.7 l

### Load factor:

A load factor of S2 30 min (intermittent periodic duty) means that you may operate the motor continuously at its nominal power level (2600 W) for no longer than the time stipulated on the specifications label (30 min). If you fail to observe this time limit the motor will overheat. During the OFF period the motor will cool again to its starting temperature.

The noise emission values were measured in accordance with EN ISO 2151: 2008.



## 6. Before starting the equipment

Before you connect the equipment to the mains supply make sure that the data on the rating plate are identical to the mains data.

- Check the equipment for damage which may have occurred in transit. Report any damage immediately to the transport company which was used to deliver the compressor.
- Install the compressor near the point of consumption.
- Avoid long air lines and supply lines (extension cables).
- Make sure that the intake air is dry and dust-free.
- Do not install the compressor in a damp or wet room.
- The compressor may only be used in suitable rooms (with good ventilation and an ambient temperature from +5 °C to 40 °C). There must be no dust, acids, vapors, explosive gases or inflammable gases in the room.
- The compressor is designed to be used in dry rooms. It is prohibited to use the compressor in areas where work is conducted with sprayed water.
- The oil level in the compressor pump has to be checked before putting the equipment into operation (see 9.4).

## 7. Assembly and starting

**⚠ Important!**  
**You must fully assemble the appliance before using it for the first time!**

You will require the following tools for assembly and installation:

- 1 x open-ended wrench size 13 mm (not included)
- 2 x open-ended wrench size 16 mm (not included)

### 7.1 Fitting the wheels (11)

Fit the supplied wheels as shown in Figure 5.

### 7.2 Fitting the supporting feet (8)

Fit the supplied supporting feet as shown in Figure 6.

### 7.3 Fitting the air filters (15)

Remove the transportation stopper (B) and screw the air filters (15) securely to the equipment (Fig. 7, 8). Make sure that the intake opening on the air filter faces down.

### 7.4 Changing the transportation cover (A)

Remove the transportation cover from the oil filler opening (21) and insert the supplied oil sealing plug (16) into the oil filler opening. (Fig. 9, 10.)

### 7.5 Mains connection

- Before you use the machine, make sure that the mains voltage is the same as the operating voltage (see the rating plate).
- Long supply cables, extensions, cable reels etc. cause a drop in voltage and can impede motor start-up.
- At low temperatures below +5°C, sluggishness may make starting difficult or impossible.

### 7.6 ON/OFF switch (Fig. 2)

Pull the ON/OFF switch (17) upwards to switch on the compressor. To switch off the compressor, press the ON/OFF switch down.

### 7.7 Setting the pressure (Fig. 1-3)

- Use the pressure regulator (3) to set the pressure on the pressure gauge (5).
- Turn the pressure regulator knob to adjust the pressure.
- The set pressure can be drawn from the quick-lock coupling (4).
- The vessel pressure can be read off the pressure gauge (6).
- The vessel pressure is drawn from the quick-lock coupling (20).

### 7.8 Setting the pressure switch (Fig. 1)

The pressure switch (2) is set at the factory.

Cut-in pressure approx. 6 bar

Cut-out pressure approx. 8 bar

### 7.9 Overload cut-out (Fig. 3)

The motor of this equipment is protected against overload by an overload switch (G). If the rated current is exceeded, the overload switch (G) will shut down the equipment. After a short cooling down period, the equipment can be switched on again by pressing the overload switch (G).

## 8. Replacing the power cable

If the power cable for this equipment is damaged, it must be replaced by the manufacturer or its after-sales service or similarly trained personnel to avoid danger.

## 9. Cleaning, maintenance, storage, ordering spare parts and transport

### ⚠ Important!

**Pull out the power plug before doing any cleaning and maintenance work on the equipment. Risk of injury from electric shock!**

### ⚠ Important!

**Wait until the equipment has cooled down completely! Risk of burns!**

### ⚠ Important!

**Always depressurize the equipment before carrying out any cleaning and maintenance work (see 9.7.1)! Risk of injury!**

### 9.1 Cleaning

- Keep the equipment free of dirt and dust as far as possible. Wipe the equipment with a clean cloth or blow it down with compressed air at low pressure.
- We recommend that you clean the equipment immediately after you use it.
- Clean the equipment regularly with a damp cloth and some soft soap. Do not use cleaning agents or solvents; these may be aggressive to the plastic parts in the equipment. Ensure that no water can get into the interior of the equipment.
- You must disconnect the hose and any spraying tools from the compressor before cleaning. Do not clean the compressor with water, solvents or the like.

### 9.2 Maintenance work on the pressure vessel (Figure 1)

Important! To ensure a long service life of the pressure vessel (7), drain off the condensed water by opening the drain valve (9) each time after using. Release the vessel pressure first (see 9.7.1). Open the drain screw by turning counter-clockwise (looking at the screw from the bottom of the compressor) so that all the condensed water can run out of the pressure vessel. Then close the drain screw again (turn it clockwise). Check the pressure vessel for signs of rust and damage each time before using. Do not use the compressor with a damaged or rusty pressure vessel. If you discover any damage, then please contact the customer service workshop.

### ⚠ Important!

**The condensed water from the pressure vessel will contain residual oil. Dispose of the condensed water in an environmentally compatible manner at a suitable collection point.**

### 9.3 Safety valve (Figure 2)

The safety valve (19) has been set for the highest permitted pressure of the pressure vessel. It is prohibited to adjust the safety valve or remove its seal. Actuate the safety valve from time to time to ensure that it works when required. Pull the ring with sufficient force until you can hear the compressed air being released. Then release the ring again.

### 9.4 Checking the oil level at regular intervals (Figure 11)

Place the compressor on a level and straight surface. The oil level must be between the two marks MAX and MIN on the oil dipstick (16). Oil change: we recommend SAE 15W 40 or equivalent. The original oil filling must be changed after 100 hours in operation; thereafter the oil must be drained and replaced with new oil after every 300 hours in operation.

### 9.5 Changing the oil (Figure 1, 10, 11)

Switch off the motor and pull the mains plug out of the socket. After releasing any air pressure (see 9.7.1) you can unscrew the oil drain screw (18) from the compressor pump (13). To prevent the oil from running out in an uncontrolled manner, hold a small metal chute under the opening and collect the oil in a container. If the oil does not drain out completely, we recommend tilting the compressor slightly. When the oil has drained out, refit the oil drain screw (18).

### Dispose of the old oil at a drop-off point for old oil.

To fill in the correct quantity of oil, make sure that the compressor stands on an even surface. Fill new oil through the oil filler opening (21) until it comes up to the maximum level. Check the oil level by inserting the dipstick. Do not exceed the maximum filling quantity. Overfilling the equipment may result in damage. Reinsert the oil sealing plug (16) into the oil filler opening (21).

### 9.6 Cleaning the intake filter (Fig. 2, 3, 12)

The intake filters (15) prevent the drawing in of dust and dirt. It is essential to clean these filters after at least every 300 hours in operation. A clogged intake filter will decrease the compressor's performance dramatically. Remove the intake filters from the equipment by unscrewing them. The filter housing (D) is plugged on the filter cover (C) and can be removed by applying slight pressure to the filter cover. Carefully tap out the air filters (F), the filter cover and the filter housing. Then blow out these parts with compressed air (approx. 3 bar) and reinstall in reverse order. The filter cover and the filter housing have different latching positions. When you assemble the intake filter, make sure that the intake opening faces down.

### 9.7 Storage

#### ⚠ Important!

**Pull out the mains plug and ventilate the equipment and all connected pneumatic tools (see 9.7.1). Switch off the compressor and make sure that it is secured in such a way that it cannot be started up again by any unauthorized person.**

#### ⚠ Important!

**Store the compressor only in a dry location which is not accessible to unauthorized persons. Always store upright, never tilted! Oil may leak out!**

### 9.7.1 Releasing excess pressure

Release the excess pressure by switching off the compressor and using the compressed air which is still left in the pressure vessel, e.g. with a compressed air tool running in idle mode or with a blow-out pistol.



GB

### 9.8 Ordering replacement parts:

Please quote the following data when ordering replacement parts:

- Type of machine
- Article number of the machine
- Identification number of the machine

For our latest prices and information please go to [www.isc-gmbh.info](http://www.isc-gmbh.info)



For EU countries only

Never place any electric power tools in your household refuse.

### 9.9 Transport (Figure 1)

- Switch off the equipment and pull out the power plug before lifting and moving the compressor.
- Use the transport handle (1) to move the compressor.
- Use the transport handle (1) on the pressure vessel (7) to lift the compressor. Note the equipment's weight!
- Transport the compressor only in an upright position and secure it against tilting so that no oil runs out.
- Secure the compressor in accordance with the regulations in force for transporting equipment in motor vehicles.

To comply with European Directive 2002/96/EC concerning old electric and electronic equipment and its implementation in national laws, old electric power tools have to be separated from other waste and disposed of in an environment-friendly fashion, e.g. by taking to a recycling depot.

Recycling alternative to the return request:

As an alternative to returning the equipment to the manufacturer, the owner of the electrical equipment must make sure that the equipment is properly disposed of if he no longer wants to keep the equipment. The old equipment can be returned to a suitable collection point that will dispose of the equipment in accordance with the national recycling and waste disposal regulations. This does not apply to any accessories or aids without electrical components supplied with the old equipment.

## 10. Disposal and recycling

The unit is supplied in packaging to prevent its being damaged in transit. This packaging is raw material and can therefore be reused or can be returned to the raw material system.

The unit and its accessories are made of various types of material, such as metal and plastic. Defective components must be disposed of as special waste. Ask your dealer or your local council.

## 11. Possible causes of failure

Problem	Cause	Solution
The compressor does not start.	<ol style="list-style-type: none"> <li>1. No supply voltage.</li> <li>2. Insufficient supply voltage.</li> <li>3. Outside temperature is too low.</li> <li>4. Motor is overheated.</li> </ol>	<ol style="list-style-type: none"> <li>1. Check the supply voltage, the power plug and the socket-outlet.</li> <li>2. Make sure that the extension cable is not too long. Use an extension cable with large enough wires.</li> <li>3. Never operate with an outside temperature of below +5° C.</li> <li>4. Allow the motor to cool down. If necessary, remedy the cause of the overheating.</li> </ol>
The compressor starts but there is no pressure.	<ol style="list-style-type: none"> <li>1. The non-return valve leaks.</li> <li>2. The seals are damaged.</li> <li>3. The drain plug for condensation water (9) leaks.</li> </ol>	<ol style="list-style-type: none"> <li>1. Have a service center replace the non-return valve.</li> <li>2. Check the seals and have any damaged seals replaced by a service center.</li> <li>3. Tighten the screw by hand. Check the seal on the screw and replace if necessary.</li> </ol>
The compressor starts, pressure is shown on the pressure gauge, but the tools do not start.	<ol style="list-style-type: none"> <li>1. The hose connections have a leak.</li> <li>2. A quick-lock coupling (4, 20) has a leak.</li> <li>3. Insufficient pressure set on the pressure regulator (3).</li> </ol>	<ol style="list-style-type: none"> <li>1. Check the compressed air hose and tools and replace if necessary.</li> <li>2. Check the quick-lock coupling and replace if necessary.</li> <li>3. Increase the set pressure with the pressure regulator.</li> </ol>



## 12. Declaration of conformity

<b>Einhell Germany AG · Wiesenweg 22 · D-94405 Landau/Isar</b>		<b>CE</b>	
<b>Konformitätserklärung</b>			
<b>D</b>	erklärt folgende Konformität gemäß EU-Richtlinie und Normen für Artikel	<b>PL</b>	deklaruje zgodność wymienionego poniżej artykułu z następującymi normami na podstawie dyrektywy WE.
<b>GB</b>	explains the following conformity according to EU directives and norms for the following product	<b>BG</b>	декларира съответното съответствие съгласно Директива на ЕС и норми за артикул
<b>F</b>	déclare la conformité suivante selon la directive CE et les normes concernant l'article	<b>LV</b>	paskaidro šādu atbilstību ES direktīvai un standartiem
<b>I</b>	dichiara la seguente conformità secondo la direttiva UE e le norme per l'articolo	<b>LT</b>	apibūdina šį atitikimą EU reikalavimams ir prekės normoms
<b>NL</b>	verklaart de volgende overeenstemming conform EU richtlijn en normen voor het product	<b>RO</b>	declară următoarea conformitate conform directivei UE și normelor pentru articolul
<b>E</b>	declara la siguiente conformidad a tenor de la directiva y normas de la UE para el artículo	<b>GR</b>	δηλώνει την ακόλουθη συμμόρφωση σύμφωνα με την Οδηγία ΕΚ και τα πρότυπα για το προϊόν
<b>P</b>	declara a seguinte conformidade, de acordo com a directiva CE e normas para o artigo	<b>HR</b>	potvrđuje sljedeću usklađenost prema smjernicama EU i normama za artikl
<b>DK</b>	attesterer følgende overensstemmelse i medfør af EU-direktiv samt standarder for artikel		Izjava o sukladnosti za ovaj proizvod dostupna je na internet stranici www.lidl.hr.
<b>S</b>	förklarar följande överensstämmelse enl. EU-direktiv och standarder för artikeln	<b>BIH</b>	potvrđuje sljedeću usklađenost prema smjernicama EU i normama za artikl
<b>FIN</b>	vakuuttaa, että tuote täyttää EU-direktiivin ja standardien vaatimukset	<b>RS</b>	potvrđuje sledeću usklađenost prema smernicama EZ i normama za artikal
<b>EE</b>	tõendab toote vastavust EL direktiivile ja standarditele	<b>RUS</b>	следующим удостоверяется, что следующие продукты соответствуют директивам и нормам ЕС
<b>CZ</b>	vydává následující prohlášení o shodě podle směrnice EU a norem pro výrobek	<b>UKR</b>	проголошує про зазначену нижче відповідність виробу директивам та стандартам ЄС на виріб
<b>SLO</b>	potvrjuje sledečo skladnost s smernico EU in standardi za izdelek	<b>MK</b>	ja изјавува следната сообразност согласно ЕУ-директивата и нормите за артикли
<b>SK</b>	vydává nasledujúce prehlásenie o zhode podľa smernice EÚ a noriem pre výrobok	<b>TR</b>	Ürünü ile ilgili AB direktifleri ve normları gereğince aşağıda açıklanan uygunluğu belirtir
<b>H</b>	a következô konformitást jelenti ki	<b>N</b>	erklærer følgende samsvar i henhold til EU-direktivet og standarder for artikkel
		<b>IS</b>	Lýsir uppfyllingu EU-reglna og annarra staðla vöru
<b>Kompressor PKO 400 B2 (Parkside)</b>			
<input checked="" type="checkbox"/> 87/404/EC_2009/105/EC	<input checked="" type="checkbox"/> 2006/42/EC		
<input type="checkbox"/> 2005/32/EC_2009/125/EC	<input type="checkbox"/> Annex IV		
<input type="checkbox"/> 2006/95/EC	Notified Body:		
<input type="checkbox"/> 2006/28/EC	Notified Body No.:		
<input checked="" type="checkbox"/> 2004/108/EC	Reg. No.:	<input type="checkbox"/> 2000/14/EC_2005/88/EC	
<input type="checkbox"/> 2004/22/EC		<input type="checkbox"/> Annex V	
<input type="checkbox"/> 1999/5/EC		<input type="checkbox"/> Annex VI	
<input checked="" type="checkbox"/> 97/23/EC		Noise measured: L <sub>WA</sub> = dB (A); guaranteed L <sub>WA</sub> = dB (A)	
<input type="checkbox"/> 90/396/EC_2009/142/EC		P = KW; L <sub>Ø</sub> = cm	
<input type="checkbox"/> 89/686/EC_96/58/EC	<input type="checkbox"/> 2004/26/EC	Notified Body:	
<input checked="" type="checkbox"/> 2011/65/EC	Emission No.:		
<b>Standard references: EN 1012-1; EN 60204-1; EN 55014-1; EN 55014-2; EN 61000-3-2; EN 61000-3-11</b>			
Landau/Isar, den 25.03.2013	 Weichselgartner/General-Manager	 Yu Feng Qing/Product-Management	
<b>First CE: 13</b>		<b>Archive-File/Record: NAPR007418</b>	
<b>Art.-No.: 40.101.64</b>	<b>I.-No.: 11013</b>	<b>Documents registrar: Siegfried Roider</b>	
<b>Subject to change without notice</b>		<b>Wiesenweg 22, D-94405 Landau/Isar</b>	

### 13. Warranty certificate

Dear Customer,

All of our products undergo strict quality checks to ensure that they reach you in perfect condition. In the unlikely event that your device develops a fault, please contact our service department at the address shown on this guarantee card. Of course, if you would prefer to call us then we are also happy to offer our assistance under the service number printed below. Please note the following terms under which guarantee claims can be made:

1. These guarantee terms cover additional guarantee rights and do not affect your statutory warranty rights. We do not charge you for this guarantee.
2. Our guarantee only covers problems caused by material or manufacturing defects, and it is restricted to the rectification of these defects or replacement of the device. Please note that our devices have not been designed for use in commercial, trade or industrial applications. Consequently, the guarantee is invalidated if the equipment is used in commercial, trade or industrial applications or for other equivalent activities. The following are also excluded from our guarantee: compensation for transport damage, damage caused by failure to comply with the installation/assembly instructions or damage caused by unprofessional installation, failure to comply with the operating instructions (e.g. connection to the wrong mains voltage or current type), misuse or inappropriate use (such as overloading of the device or use of non-approved tools or accessories), failure to comply with the maintenance and safety regulations, ingress of foreign bodies into the device (e.g. sand, stones or dust), effects of force or external influences (e.g. damage caused by the device being dropped) and normal wear resulting from proper operation of the device. This applies in particular to rechargeable batteries for which we nevertheless issue a guarantee period of 12 months. The guarantee is rendered null and void if any attempt is made to tamper with the device.
3. The guarantee is valid for a period of 3 years starting from the purchase date of the device. Guarantee claims should be submitted before the end of the guarantee period within two weeks of the defect being noticed. No guarantee claims will be accepted after the end of the guarantee period. The original guarantee period remains applicable to the device even if repairs are carried out or parts are replaced. In such cases, the work performed or parts fitted will not result in an extension of the guarantee period, and no new guarantee will become active for the work performed or parts fitted. This also applies when an on-site service is used.
4. In order to assert your guarantee claim, please send your defective device postage-free to the address shown below. Please enclose either the original or a copy of your sales receipt or another dated proof of purchase. Please keep your sales receipt in a safe place, as it is your proof of purchase. It would help us if you could describe the nature of the problem in as much detail as possible. If the defect is covered by our guarantee then your device will either be repaired immediately and returned to you, or we will send you a new device.

Of course, we are also happy offer a chargeable repair service for any defects which are not covered by the scope of this guarantee or for units which are no longer covered. To take advantage of this service, please send the device to our service address.

IAN 89566



CZ

## Obsah

1. Úvod .....	21
2. Bezpečnostní pokyny.....	21
3. Popis přístroje a rozsah dodávky .....	23
4. Použití podle účelu určení .....	24
5. Technická data .....	24
6. Před uvedením do provozu .....	25
7. Montáž a uvedení do provozu .....	25
8. Výměna síťového napájecího vedení .....	26
9. Čištění, údržba, uložení, objednání náhradních dílů a transport .....	26
10. Likvidace a recyklace .....	28
11. Možné příčiny výpadku .....	29
12. Prohlášení o shodě.....	30
13. Záruční list .....	31

Patisk nebo jiné rozmnožování dokumentace a průvodních listin, také ve výtažcích, je přípustný pouze s výslovným souhlasem firmy iSC GmbH.

Technické změny vyhrazeny



CZ



**Varování** - Ke snížení rizika zranění si přečíst návod k obsluze



**Noste ochranu sluchu.** Působení hluku může způsobit ztrátu sluchu.



**Varování před elektrickým napětím**



**Varování před horkými díly**



**Varování! Jednotka je řízena dálkově a může se spustit bez varování**



**Pozor!** Před prvním uvedením do provozu zkontrolovat stav oleje a vyměnit uzavírací zátku oleje!



**Pozor!** Neotvírat kohoutek/regulátor tlaku dříve, než je napojena vzduchová hadice.

 **OFF**

 **ON**

Při přetížení přístroje se vypínač na přetížení vypne, aby se zabránilo škodám. Po ochlazení stlačte tlačítko, abyste mohli přístroj znovu uvést do provozu.

## 1. Úvod

Srdečně Vám blahopřejeme ke koupi Vašeho nového přístroje.

Rozhodli jste se tak pro vysoce kvalitní výrobek. Návod k obsluze je součástí tohoto výrobku. Obsahuje důležité informace pro bezpečnost, používání a likvidaci. Před použitím výrobku se seznamte se všemi pokyny k obsluze a bezpečnostními pokyny. Používejte přístroj pouze podle popisu a v uvedených oblastech použití. Při odevzdání výrobku předajte všechny podklady třetím osobám.

## 2. Bezpečnostní pokyny

### ⚠ Varování!

**Přečtěte si všechny bezpečnostní pokyny a instrukce.** Zanedbání při dodržování bezpečnostních pokynů a instrukcí mohou mít za následek úder elektrickým proudem, požár a/ nebo těžká zranění. **Všechny bezpečnostní pokyny a instrukce si uložte pro budoucí použití.**

### 2.1 Bezpečnostní pokyny

**⚠ Pozor! Při použití tohoto kompresoru je třeba na ochranu proti úderu elektrickým proudem, nebezpečí úrazu a požáru dbát následujících bezpečnostních opatření. Přečtěte si a dbejte těchto pokynů, ještě než začnete přístroj používat.**

- **Udržujte Vaše pracoviště v pořádku**  
Nepořádek na pracovišti představuje nebezpečí úrazu.
- **Zohledněte vlivy prostředí**  
Nevystavujte kompresor dešti. Nepoužívejte kompresor ve vlhkém nebo mokřím prostředí. Nebezpečí úderu elektrickým proudem! Postarejte se o dobré osvětlení. Nepoužívejte kompresor v blízkosti hořlavých kapalin nebo plynů. Nebezpečí výbuchu!
- **Chraňte se před úderem elektrickým proudem**  
Vyhýbejte se tělesnému kontaktu s

uzemněnými částmi např. rourami, topnými tělesy, sporáky, ledničkami.

- **Nepouštějte do blízkosti dětí!**  
Nenechte jiné osoby dotýkat se kompresoru nebo kabelu, nepouštějte je na své pracoviště.
- **Kompresor bezpečně uložte**  
Nepoužívaný kompresor musí být uložen na suchém, uzamčeném místě a mimo dosah dětí.
- **Nepřetěžujte Váš kompresor.**  
Lépe a bezpečněji se pracuje v uvedeném rozsahu výkonu.
- **Noste vhodné pracovní oblečení**  
Nenoste široké oblečení nebo šperky. Mohly by být zachyceny pohyblivými částmi. Při práci ve volném prostranství jsou vhodné gumové rukavice a pevná neklouzavá obuv. V případě dlouhých vlasů noste vlasovou síťku. Nebezpečí zranění!
- **Nepoužívejte kabel na účely, pro které není určen**  
Nenoste kompresor za kabel a nepoužívejte ho na vytažení zástrčky ze zásuvky. Chraňte kabel před horkem, olejem a ostrými hranami. Kabel/zástrčky mohou být poškozeny.
- **Pečlivě ošetřujte Váš kompresor**  
Udržujte Váš kompresor čistý, abyste mohli dobře a bezpečně pracovat. Dodržujte předpisy pro údržbu. Pravidelně kontrolujte zástrčku a kabel a v případě poškození je nechte obnovit autorizovaným odborníkem. Pravidelně kontrolujte prodlužovací kabely a poškozené nahraďte.
- **Vytáhněte zástrčku ze zásuvky**  
Při delším nepoužívání a před údržbou.
- **Vyhýbejte se nechtěnému náběhu**  
Při připojování na síť se přesvědčte, že je vypínač vypnut.
- **Prodlužovací kabel ve volném prostranství**  
Ve volném prostranství používejte pouze pro to schválené a příslušně označené prodlužovací kabely.
- **Bud'te stále pozorní**  
Pozorujte svoji práci. Pracujte rozumně. Nepoužívejte kompresor, když jste nekoncentrovaní.

- **Kontrolujte Váš kompresor, zda není poškozen**

Před dalším použitím kompresoru musí být pečlivě překontrolována bezvadná a řádná funkce ochranných zařízení nebo lehce poškozených částí. Překontrolujte, zda je v pořádku bezvadná funkce pohyblivých dílů, jestli neuvázly nebo jestli nejsou díly poškozeny. Všechny díly musí být správně namontovány, aby byla zajištěna bezpečnost přístroje. Poškozená ochranná zařízení a díly musí být odborně opraveny nebo vyměněny v dílně zákaznického servisu, pokud není v návodu k obsluze uvedeno jinak. Poškozené vypínače musí být nahrazeny v dílně zákaznického servisu. Nepoužívejte přístroje, u kterých nelze za- a vypnout vypínač.

- **Pozor!**

Z důvodů vlastní bezpečnosti používejte pouze příslušenství nebo přídavné přístroje, které jsou uvedeny v návodu k obsluze nebo byly výrobcem doporučeny nebo uvedeny. Používání jiných přídavných přístrojů nebo příslušenství, které nejsou doporučeny v návodu k obsluze nebo katalogu, může pro Vás osobně znamenat nebezpečí zranění.

- **Opravy pouze odborným elektrikářem**

Opravy smí provádět pouze odborný elektrikář; v jiném případě nelze vyloučit úrazy provozovatele.

- **Hluk**

Při používání kompresoru nosit ochranu sluchu.

- **Výměna napájecího vedení**

Pokud je poškozeno napájecí vedení, musí být nahrazeno výrobcem nebo odborným elektrikářem, aby se zabránilo ohrožením. Nebezpečí úderů elektrickým proudem!

- **Huštění pneumatik**

Kontrolujte tlak v pneumatikách bezprostředně po naplnění vhodným manometrem, např. na čerpací stanici.

- **Pojízdné kompresory ve staveništním provozu**

Dbejte na to, aby byly všechny hadice a armatury vhodné pro nejvyšší přípustný pracovní tlak kompresoru.

- **Místo instalace**

Postavte kompresor pouze na rovnou plochu.

- Dbejte prosím na to, aby byly všechny použité hadice stlačeného vzduchu a armatury vhodné pro provoz s maximálním tlakem kompresoru.
- Doporučuje se používat u tlaků nad 7 barů hadici s bezpečnostním kabelem.

## 2.2 Bezpečnostní pokyny pro práci se stlačeným vzduchem a vyfukovacími pistolemi

- Čerpadlo kompresoru a vedení dosahují při provozu vysokých teplot. Kontakt s nimi vede k popálení.
- Vzduch nasávaný kompresorem je třeba udržovat bez příměsí, které by mohly vést v čerpadle kompresoru k požáru nebo výbuchu.
- Při uvolňování hadicové spojky držte spojovací díl hadice pevně rukou. Tím zabráníte zraněním způsobeným vymrštěním hadice.
- Při pracích s vyfukovací pistolí nosit ochranné brýle. Cizími tělesy a odfouklými částmi mohou být lehce způsobena zranění.
- Vyfukovací hadici nefoukat na žádné osoby nebo nečistit oblečení na těle. Nebezpečí zranění!

## 2.3 Bezpečnostní pokyny při stříkání barvy

- Nezpracovávat žádné laky nebo rozpouštědla s bodem vzplanutí nižším než 55° C. Nebezpečí výbuchu!
- Laky a rozpouštědla nezahřívát. Nebezpečí výbuchu!
- Pokud jsou zpracovávány zdraví škodlivé kapaliny, jsou k ochraně potřeba filtrační přístroje (obličejové masky). Dodržujte také údaje k ochranným opatřením výrobců těchto látek.
- Je třeba dodržovat údaje a značení nařízení o nebezpečných látkách uvedené na obalech zpracovávaných materiálů. V případě potřeby je třeba učinit dodatečná ochranná opatření, především nosit vhodný oděv a ochranné masky.
- Během stříkání a také v pracovní místnosti se

nesmí kouřit. Nebezpečí výbuchu! Také výpary barev jsou lehce zápalné.

- Topeniště, otevřené světlo nebo jiskřící stroje se nesmí vyskytovat resp. být provozovány.
- Jídlo a nápoje neskladovat nebo nekonsumovat v pracovní místnosti. Výpary barev jsou zdraví škodlivé.
- Pracovní místnost musí být větší než 30 m<sup>3</sup> a musí být zaručena dostatečná výměna vzduchu při stříkání a zasychání. Nestříkat proti větru. Při stříkání zápalných resp. nebezpečných tekutých materiálů zásadně dodržovat nařízení místních policejních úřadů.
- Nezpracovávejte ve spojení s tlakovou hadicí z PVC žádná média jako je lakový benzín, butanol a dichlormetan.
- Tato média mohou zničit tlakovou hadici.

#### 2.4 Používání tlakových nádrží

- Provozovatel tlakové nádrže ji musí udržovat v řádném stavu, řádně ji používat, kontrolovat, provádět okamžitě nutné údržbové práce a opravy a podle okolností učinit potřebná bezpečnostní opatření.
- Dozorčí úřad může v jednotlivých případech nařídit potřebná kontrolní opatření.
- Tlaková nádrž nesmí být používána, pokud vykazuje nedostatky, které by mohly ohrozit zaměstnance nebo třetí osoby.
- Před každým použitím zkontrolujte tlakovou nádrž, zda není zrezivělá nebo poškozená. Kompresor nesmí být provozován s poškozenou nebo zrezivělou tlakovou nádrží. Pokud zjistíte poškození, obraťte se prosím na zákaznický servis.

#### Bezpečnostní pokyny si dobře uložte.

### 3. Popis přístroje a rozsah dodávky

#### 3.1 Popis přístroje

1. Přepavní rukojeť
2. Tlakový spínač
3. Regulátor tlaku
4. Rychlospojka (regulovaný stlačený vzduch)
5. Manometr (nastavený tlak může být odečten)
6. Manometr (tlak tlakové nádoby může být odečten)
7. Tlaková nádrž
8. Noha
9. Vypouštěcí šroub na kondenzovanou vodu
10. Osový šroub
11. Kolečko
12. Zpětný ventil s tlakovým vedením
13. Čerpadlo kompresoru
14. Kryt
15. Vzduchový filtr
16. Uzavírací zátka oleje s měrkou oleje
17. Za-/vypínač
18. Šroub vypouštěcího otvoru oleje
19. Pojistný ventil
20. Rychlospojka (neregulovaný stlačený vzduch)
21. Otvor na plnění oleje
22. Podložka
23. Pružný kroužek
24. Maticе
25. Šroub
26. Podložka
27. Podložka
28. Maticе
29. Kryt kolečka

#### 3.2 Rozsah dodávky

- Otevřete balení a přístroj opatrně vyjměte z balení.
- Odstraňte obalový materiál a ochrany balení / dopravní pojistky (jsou-li k dispozici).
- Překontrolujte, zda je rozsah dodávky úplný.
- Zkontrolujte přístroj a příslušenství, zda nebyly při přepravě poškozeny.
- Balení si pokud možno uložte až do uplynutí záruční doby.

**Pozor!**

**Přístroj a obalový materiál nejsou dětská hračka! Děti si nesmějí hrát s plastovými sáčky, fóliemi a malými díly! Hrozí nebezpečí spolknutí a udušení!**

**4. Použití podle účelu určení**

Kompresor slouží k výrobě stlačeného vzduchu pro nástroje provozované se stlačeným vzduchem, které mohou být provozovány s množstvím vzduchu až cca 360 l/min. (např. hustilka pneumatik, vyfukovací pistole a lakovací pistole). Pneumatické nástroje, které mají vysokou spotřebu stlačeného vzduchu, se mohou používat s tímto kompresorem pouze omezeně. Zkontrolujte na nástrojích s vysokou spotřebou vzduchu (např. vibrační brusky, tyčové brusky a rázové utahovávky), zda množství vzduchu kompresoru stačí na provoz těchto nástrojů. Dopravované množství vzduchu kompresoru musí být vyšší než spotřeba vzduchu pneumatického nástroje při jeho provozním tlaku.

Přístroj smí být používán pouze podle svého účelu určení. Každé další, toto překračující použití, neodpovídá použití podle účelu určení. Za z toho vyplývající škody nebo zranění všeho druhu ručí uživatel/obsluhující osoba a ne výrobce.

Dbejte prosím na to, že naše přístroje nebyly podle svého účelu určení konstruovány pro živnostenské, řemeslnické nebo průmyslové použití. Nepřebíráme proto žádné ručení, pokud je přístroj používán v živnostenských, řemeslných nebo průmyslových podnicích a při srovnatelných činnostech.

**5. Technická data**

Síťová přípojka: ..... 230 V ~ 50 Hz  
 Výkon motoru kW: ..... S1 2400 W  
 ..... S2 30 min 2600 W  
 Počet otáček kompresoru min<sup>-1</sup>: ..... 2 850  
 Provozní tlak v barech: ..... max. 8  
 Objem tlakové nádrže (v litrech): ..... 50  
 Teor. sací výkon l/min.: ..... cca 360  
 Efektivní odběr při tlaku 7 bar ..... cca 170 l/min  
 Hladina akustického výkonu L<sub>WA</sub> v dB: ..... 96  
 Nejistota K<sub>WA</sub>: ..... 2 dB  
 Hladina akustického tlaku L<sub>pA</sub> v dB: ..... 74  
 Nejistota K<sub>pA</sub>: ..... 2 dB  
 Druh ochrany: ..... IP 20  
 Hmotnost přístroje v kg: ..... cca 38,5  
 Olej (15W 40) ..... 0,7 l

**Doba zapnutí:**

Doba zapnutí S2 30 min (krátkodobý chod) znamená, že motor se jmenovitým výkonem 2600 W smí být trvale zatěžován pouze po dobu uvedenou na datovém štítku (30 min). Jinak by se nepřípustně zahřál. Během přestávky se motor opět ochladí na svoji výchozí teplotu.

Hodnoty emise hluku byly změřeny podle normy EN ISO 2151: 2008.



## 6. Před uvedením do provozu

Před připojením se ujistěte, zda údaje na typovém štítku souhlasí s údaji sítě.

- Zkontrolujte přístroj, zda nebyl při přepravě poškozen. Eventuální poškození ihned nahlásit přepravní firmě, která kompresor dodala.
- Instalace kompresoru musí být provedena v blízkosti spotřebiče.
- Vyvarujte se dlouhým vzduchovým a přívodním vedením (prodlužovací kabel).
- Dbát na suchý a bezprašný nasávaný vzduch.
- Kompresor neumisťovat ve vlhké nebo mokré místnosti.
- Kompresor smí být provozován pouze ve vhodných místnostech (dobře větrané, teplota okolí +5 °C až 40 °C). V místnosti nesmí být žádné prachy, kyseliny, výpary, výbušné nebo zápalné plyny.
- Kompresor je vhodný k použití v suchých místnostech. V oblastech, ve kterých se pracuje se stříkající vodu, není použití přípustné.
- Před uvedením do provozu musí být zkontrolován stav oleje v čerpadle kompresoru (viz bod 9.4).

## 7. Montáž a uvedení do provozu

### ⚠ Pozor!

**Před uvedením do provozu přístroj bezpodmínečně kompletně smontovat!**

K montáži potřebujete:

- 1 x rozvidlený klíč 13 mm (není obsažen v rozsahu dodávky)
- 2 x rozvidlený klíč 16 mm (není obsažen v rozsahu dodávky)

### 7.1 Montáž koleček (11)

Namontujte přiložená kolečka tak, jak je znázorněno na obr. 5.

### 7.2 Montáž nohou (8)

Namontujte přiložené nohy tak, jak je znázorněno na obr. 6.

### 7.3 Montáž vzduchových filtrů (15)

Odstraňte přepravní zátky (B) a našroubujte vzduchový filtr (15) na přístroj (obr. 7, 8).

Dbejte na to, aby sací otvor na vzduchovém filtru ukazoval směrem dolů.

### 7.4 Výměna přepravního víčka (A)

Odstraňte přepravní víčko otvoru na plnění oleje (21) a nasadte přiloženou uzavírací zátku oleje (16) do otvoru na plnění oleje. (obr. 9, 10)

### 7.5 Připojení na síť

- Před uvedením do provozu dbejte na to, aby síťové napětí souhlasilo s provozním napětím (podle výkonového listu přístroje).
- Dlouhá přívodní vedení, jako též prodloužení, kabelové bubny atd. způsobují pokles napětí a mohou zabránit naběhnutí motoru.
- Při nízkých teplotách pod +5 °C je naběhnutí motoru ohroženo těžkým chodem.

### 7.6 Za-/vypínač (obr. 2)

Na zapnutí kompresoru se za-/vypínač (17) vytáhne směrem nahoru. Na vypnutí se za-/vypínač stlačí směrem dolů.

### 7.7 Nastavení tlaku: (obr. 1-3)

- Tlak na manometru (5) se nastavuje pomocí regulátoru tlaku (3).
- Na nastavení tlaku otáčejte rukojeť regulátoru tlaku.
- Nastavený tlak může být odebrán z rychlospojky (4).
- Na manometru (6) může být odečten tlak tlakové nádoby.
- Tlak tlakové nádoby se odebírá z rychlospojky (20).

### 7.8 Nastavení tlakového spínače (obr. 1)

Tlakový spínač (2) je nastaven ze závodu.

Zapínací tlak cca 6 barů

Vypínací tlak cca 8 barů

### 7.9 Ochrana proti přetížení (obr. 3)

Motor tohoto přístroje je chráněn proti přetížení pomocí vypínače na přetížení (G). Při překročení jmenovitého proudu vypínač na přetížení (G) přístroj vypne. Po krátké přestávce na ochlazení může být přístroj opět zapnut stisknutím vypínače na přetížení (G).

## 8. Výměna síťového napájecího vedení

Pokud je poškozeno síťové napájecí vedení tohoto přístroje, musí být nahrazeno výrobcem nebo jeho zákaznickým servisem nebo podobně kvalifikovanou osobou, aby se zabránilo nebezpečím.

## 9. Čištění, údržba, uložení, objednání náhradních dílů a transport

### ⚠ Pozor!

**Před všemi čistícími a údržbovými pracemi vytáhněte síťovou zástrčku! Nebezpečí zranění úderem elektrického proudu!**

### ⚠ Pozor!

**Počkejte, až se přístroj úplně ochladí! Nebezpečí popálení!**

### ⚠ Pozor!

**Před všemi čistícími a údržbovými pracemi musí být přístroj beztlaký (viz bod 9.7.1)! Nebezpečí zranění!**

### 9.1 Čištění

- Udržujte přístroj tak prostý prachu a nečistot, jak je to jen možné. Otřete přístroj čistým hadrem nebo ho profoukněte stlačeným vzduchem při nízkém tlaku.
- Doporučujeme přímo po každém použití přístroj vyčistit.
- Pravidelně přístroj čistěte vlhkým hadrem a trochou mazlavého mýdla. Nepoužívejte čistící prostředky nebo rozpouštědla; tyto by mohly narušit plastové díly přístroje. Dbejte na to, aby se do přístroje nedostala voda.
- Hadice a stříkací nástroje musí být před čištěním z kompresoru odstraněny. Kompresor nesmí být čištěn pomocí vody, rozpouštědel, apod.

### 9.2 Údržba tlakové nádrže (obr. 1)

Pozor! Pro trvalou životnost tlakové nádrže (7) je třeba po každém použití vypustit kondenzovanou vodu otevřením vypouštěcího šroubu (9). Nejdříve vypusťte tlakovou nádobu (9.7.1). Vypouštěcí šroub se otevře otáčením proti směru hodinových ručiček (při pohledu ze spodní strany kompresoru na šroub), aby mohla kondenzovaná voda úplně odtéct z tlakové nádrže. Vypouštěcí šroub poté opět uzavřete (otáčení ve směru hodinových ručiček). Před každým použitím zkontrolujte tlako-

vou nádrží, zda není zrezivělá nebo poškozená. Kompresor nesmí být provozován s poškozenou nebo zrezivělou tlakovou nádrží. Pokud zjistíte poškození, obraťte se prosím na zákaznický servis.

### **⚠ Pozor!**

**Kondenzovaná voda z tlakové nádrže obsahuje zbytky oleje. Zlikvidujte kondenzovanou vodu ekologicky v příslušné sběrně.**

### **9.3 Pojistný ventil (obr. 2)**

Pojistný ventil (19) je nastaven na nejvyšší přípustný tlak tlakové nádrže. Není přípustné pojistný ventil přestavovat nebo odstraňovat jeho plombu. Aby pojistný ventil v případě potřeby správně fungoval, musí být čas od času aktivován. Zatáhněte za kroužek tak silně, abyste zřetelně slyšeli unikání stlačeného vzduchu. Poté kroužek opět pusťte.

### **9.4 Pravidelná kontrola stavu oleje (obr. 11)**

Kompresor postavte na tvrdý, rovný podklad. Stav oleje se musí nalézat mezi značkami MAX a MIN na měrce oleje (16). Výměna oleje: doporučený olej: SAE 15W 40 nebo rovnocenný. První náplň oleje musí být vyměněna po 100 provozních hodinách; poté je třeba každých 300 provozních hodin olej vypustit a doplnit nový.

### **9.5 Výměna oleje (obr. 1, 10, 11)**

Vypněte motor a vytáhněte zástrčku ze zásuvky. Po vypuštění zbývajícího tlaku vzduchu (9.7.1) můžete vyšroubovat šroub vypouštěcího otvoru oleje (18) na čerpadle kompresoru (13). Aby olej nekontrolovaně nevytéká, podržte pod ním plechový žlábek a olej zachyťte do nádoby. Pokud olej úplně nevyteče, doporučujeme kompresor trochu naklonit. Až olej vyteče, nasadte opět šroub vypouštěcího otvoru oleje (18).

### **Použitý olej zlikvidujte na příslušném sběrném místě.**

Abyste naplnili správné množství oleje, dbejte na to, aby kompresor stál na rovné ploše. Naplňte nový olej do otvoru na plnění oleje (21), až stav oleje dosáhne maximálního množství naplnění. Zkontrolujte stav oleje zasunutím měrky oleje. Nepřekračujte maximální množství naplnění. Přeplnění může vést ke škodám na přístroji. Uzavírací zátku oleje (16) opět nasadte do otvoru na plnění oleje (21).

### **9.6 Čištění sacího filtru (obr. 2, 3, 12)**

Sací filtry (15) zabraňují nasávání prachu a nečistot. Je nutné čistit tyto filtry minimálně každých 300 provozních hodin. Ucpaný sací filtr výrazně snižuje výkon kompresoru.

Odstraňte sací filtry tak, že je odšroubujete z přístroje. Těleso filtru (D) je nasazeno na krytu filtru (C) a může být odebráno lehkým zatlačením na kryt filtru. Vyklepejte opatrně vzduchový filtr (F), kryt a těleso filtru. Tyto součásti musí být poté vyfouknuty stlačeným vzduchem (cca 3 bary) a v opačném pořadí namontovány.

Kryt a těleso filtru mají různé polohy zaskočení. Dbejte na to, aby při montáži sacího filtru ukazoval sací otvor směrem dolů.

### **9.7 Uložení**

#### **⚠ Pozor!**

**Vytáhněte síťovou zástrčku, odvzdušněte přístroj a všechny připojené pneumatické nástroje (viz bod 9.7.1). Kompresor odstavte tak, aby nemohl být uveden do provozu nepovolenými osobami.**

#### **⚠ Pozor!**

**Kompresor skladovat pouze v suchém a pro nepovolené osoby nepřístupném okolí. Nenaklánět, skladovat pouze ve svislé poloze! Olej může vytéct ven!**

#### **9.7.1 Vypuštění přetlaku**

Vypusťte přetlak v kompresoru tak, že kompresor vypnete a spotřebujete ještě přítomný stlačený vzduch v tlakové nádrži, např. spuštěním pneumatického nástroje do volnoběhu nebo pomocí vyfukovací pistole.

### 9.8 Objednání náhradních dílů:

Při objednávce náhradních dílů je třeba uvést následující údaje:

- Typ přístroje
- Číslo artiklu přístroje
- Identifikační číslo přístroje

Aktuální ceny a informace naleznete na [www.isc-gmbh.info](http://www.isc-gmbh.info)

### 9.9 Transport (obr. 1)

- Před přesouváním a zdviháním kompresor vypněte a vytáhněte síťovou zástrčku.
- Na přesouvání kompresoru použijte přepravní rukojeť (1).
- Na zdvihání kompresoru použijte přepravní rukojeť (1) na tlakové nádrži (7). Dbát na hmotnost přístroje!
- Kompresor transportujte pouze ve vzpřímené poloze, abyste zabránili vytečení oleje a zabezpečte ho proti převrácení.
- Kompresor zabezpečte podle příslušných předpisů pro transport ve vozidlech.

## 10. Likvidace a recyklace

Přístroj je uložen v balení, aby bylo zabráněno poškození při přepravě. Toto balení je surovina a tím znovu použitelné nebo může být dáno zpět do cirkulace surovin. Přístroj a jeho příslušenství jsou vyrobeny z rozdílných materiálů, jako např. kov a plasty. Defektní součástky odevzdejte k likvidaci zvláštních odpadů. Zeptejte se v odborné prodejně nebo na místním zastupitelství!



Jen pro země EU

Elektrické nářadí a přístroje neodhazujte do domovního odpadu!

Podle evropské směrnice 2002/96/ES o odpadních elektrických a elektronických zařízeních (OEEZ) a při prosazování národního práva musí být spotřebované elektrické nářadí sbíráno samostatně a musí být dopraveno do odpovídajícího ekologického recyklačního závodu.

Alternativa recyklace k výzvě na zpětné odeslání výrobku:

Vlastník elektrického přístroje je povinen alternativně namísto zpětného odeslání zařízení spolupůsobit při jeho správném zužitkování v případě, že se vzdá jeho vlastnictví. Starý přístroj lze v takovém případě odevzdat také ve sběrně, která provede odstranění ve smyslu národního zákona o recyklaci a odpadech. Tyto předpisy se nevztahují na díly příslušenství a pomocné prostředky bez elektrických součástí přidané ke starým přístrojům.

## 11. Možné příčiny výpadku

Problém	Příčina	Řešení
Kompresor neběží.	<ol style="list-style-type: none"> <li>1. Není k dispozici síťové napětí.</li> <li>2. Moc nízké síťové napětí.</li> <li>3. Moc nízká vnější teplota.</li> <li>4. Přehřátý motor.</li> </ol>	<ol style="list-style-type: none"> <li>1. Překontrolovat kabel, síťovou zástrčku, pojistku a zásuvku.</li> <li>2. Vyhýbat se použití moc dlouhých prodlužovacích kabelů. Používat prodlužovací kabely s dostatečným průřezem žíly.</li> <li>3. Neprovozovat při vnější teplotě nižší než +5 °C.</li> <li>4. Motor nechat ochladit, event. odstranit příčinu přehřátí.</li> </ol>
Kompresor běží, ovšem není k dispozici tlak.	<ol style="list-style-type: none"> <li>1. Netěsný zpětný ventil.</li> <li>2. Zničená těsnění.</li> <li>3. Netěsný vypouštěcí šroub na kondenzovanou vodu (9).</li> </ol>	<ol style="list-style-type: none"> <li>1. Vyměnit zpětný ventil.</li> <li>2. Těsnění překontrolovat, zničená těsnění nechat vyměnit v odborném servisu.</li> <li>3. Šroub dotáhnout ručně. Překontrolovat těsnění šroubu, event. vyměnit.</li> </ol>
Kompresor běží, na manometru je ukázován tlak, ovšem nástroje neběží.	<ol style="list-style-type: none"> <li>1. Netěsné hadicové spojení.</li> <li>2. Netěsná rychlospojka (4, 20).</li> <li>3. Na regulátoru tlaku (3) je nastaven moc nízký tlak.</li> </ol>	<ol style="list-style-type: none"> <li>1. Překontrolovat hadici stlačeného vzduchu a nástroje, event. vyměnit.</li> <li>2. Překontrolovat rychlospojku, event. vyměnit.</li> <li>3. Regulátor tlaku více otevřít.</li> </ol>

## 12. Prohlášení o shodě

<b>Einhell Germany AG · Wiesenweg 22 · D-94405 Landau/Isar</b>		
<b>Konformitätserklärung</b>		
<p><b>D</b> erklärt folgende Konformität gemäß EU-Richtlinie und Normen für Artikel</p> <p><b>GB</b> explains the following conformity according to EU directives and norms for the following product</p> <p><b>F</b> déclare la conformité suivante selon la directive CE et les normes concernant l'article</p> <p><b>I</b> dichiara la seguente conformità secondo la direttiva UE e le norme per l'articolo</p> <p><b>NL</b> verklaart de volgende overeenstemming conform EU richtlijn en normen voor het product</p> <p><b>E</b> declara la siguiente conformidad a tenor de la directiva y normas de la UE para el artículo</p> <p><b>P</b> declara a seguinte conformidade, de acordo com a directiva CE e normas para o artigo</p> <p><b>DK</b> attesterer følgende overensstemmelse i medfør af EU-direktiv samt standarder for artikel</p> <p><b>S</b> förklarar följande överensstämmelse enl. EU-direktiv och standarder för artikeln</p> <p><b>FIN</b> vakuuttaa, että tuote täyttää EU-direktiivin ja standardien vaatimukset</p> <p><b>EE</b> tõendab toote vastavust EL direktiivile ja standarditele</p> <p><b>CZ</b> vydává následující prohlášení o shodě podle směrnice EU a norem pro výrobek</p> <p><b>SLO</b> potrjuje sledečo skladnost s smernico EU in standardi za izdelek</p> <p><b>SK</b> vydáva nasledujúce prehlásenie o zhode podľa smernice EÚ a noriem pre výrobok</p> <p><b>H</b> a cikkekhez az EU-irányvonal és Normák szerint a következő konformitást jelenti ki</p>	<p><b>PL</b> deklaruje zgodność wymienionego poniżej artykułu z następującymi normami na podstawie dyrektywy WE.</p> <p><b>BG</b> декларира съответното съответствие съгласно Директива на ЕС и норми за артикул</p> <p><b>LV</b> paskaidro šādu atbilstību ES direktīvai un standartiem</p> <p><b>LT</b> apibūdina šį atitikimą EU reikalavimams ir prekės normoms</p> <p><b>RO</b> declară următoarea conformitate conform directivei UE și normelor pentru articolul</p> <p><b>GR</b> δηλώνει την ακόλουθη συμμόρφωση σύμφωνα με την Οδηγία ΕΚ και τα πρότυπα για το προϊόν</p> <p><b>HR</b> potvrđuje sljedeću usklađenost prema smjernicama EU i normama za artikl Izjava o sukladnosti za ovaj proizvod dostupna je na internet stranici www.lidl.hr.</p> <p><b>BIH</b> potvrđuje sljedeću usklađenost prema smjernicama EU i normama za artikl</p> <p><b>RS</b> potvrđuje sledeću usklađenost prema smernicama EZ i normama za artikal</p> <p><b>RUS</b> следующим удостоверяется, что следующие продукты соответствуют директивам и нормам ЕС</p> <p><b>UKR</b> проголошує про зазначену нижче відповідність виробу директивам та стандартам ЄС на виріб</p> <p><b>MK</b> ja izjavува следната сообрзност согласно EY-директивата и нормите за артикли</p> <p><b>TR</b> Ürünü ile ilgili AB direktifleri ve normları gereğince aşağıda açıklanan uygunluğu belirtir</p> <p><b>N</b> erklærer følgende samsvar i henhold til EU-direktivet og standarder for artikkel</p> <p><b>IS</b> Lýsir uppfyllingu EU-reglna og annarra staðla vöru</p>	
<b>Kompressor PKO 400 B2 (Parkside)</b>		
<input checked="" type="checkbox"/> 87/404/EC_2009/105/EC <input type="checkbox"/> 2005/32/EC_2009/125/EC <input type="checkbox"/> 2006/95/EC <input type="checkbox"/> 2006/28/EC <input checked="" type="checkbox"/> 2004/108/EC <input type="checkbox"/> 2004/22/EC <input type="checkbox"/> 1999/5/EC <input checked="" type="checkbox"/> 97/23/EC <input type="checkbox"/> 90/396/EC_2009/142/EC <input type="checkbox"/> 89/686/EC_96/58/EC <input checked="" type="checkbox"/> 2011/65/EC	<input checked="" type="checkbox"/> 2006/42/EC <input type="checkbox"/> Annex IV Notified Body: Notified Body No.: Reg. No.: <input type="checkbox"/> 2000/14/EC_2005/88/EC <input type="checkbox"/> Annex V <input type="checkbox"/> Annex VI Noise measured: L <sub>WA</sub> = dB (A); guaranteed L <sub>WA</sub> = dB (A) P = KW; L <sub>Ø</sub> = cm Notified Body: <input type="checkbox"/> 2004/26/EC Emission No.:	
<b>Standard references: EN 1012-1; EN 60204-1;          EN 55014-1; EN 55014-2; EN 61000-3-2; EN 61000-3-11</b>		
Landau/Isar, den 25.03.2013	 Weichselgartner/General-Manager	 Yu Feng Qing/Product-Management
<b>First CE: 13</b> <b>Art.-No.:</b> 40.101.64 <b>I.-No.:</b> 11013 <b>Subject to change without notice</b>	<b>Archive-File/Record:</b> NAPR007418 <b>Documents registrar:</b> Siegfried Roider Wiesenweg 22, D-94405 Landau/Isar	

### 13. Záruční list

Vážená zákaznice, vážený zákazníku,  
naše výrobky podléhají přísné kontrole kvality. Pokud i přesto tento přístroj bezvadně nefunguje, velice toho litujeme a prosíme Vás, abyste se obrátili na náš zákaznický servis, jehož adresa je uvedena na tomto záručním listu. Rádi Vám budeme k dispozici také telefonicky na níže uvedeném servisním čísle. Pro uplatňování nároků na záruku platí následující:

1. Tyto záruční podmínky upravují dodatečný záruční servis. Vašich zákonných nároků na záruku se tato záruka netýká. Náš záruční servis je pro Vás bezplatný.
2. Záruční servis se vztahuje výhradně na nedostatky, které lze odvodit z vad materiálu nebo výrobních vad a je také omezen pouze na odstranění těchto nedostatků, resp. výměnu přístroje. Dbejte prosím na to, že naše přístroje nebyly podle svého účelu určeny konstruovány pro živnostenské, řemeslnické nebo průmyslové použití. Záruční smlouva tak není realizována, pokud byl přístroj používán v živnostenských, řemeslných nebo průmyslových podnicích a při srovnatelných činnostech. Z naší záruky je dále vyloučeno poskytnutí náhrady za dopravní škody, škody způsobené nedodržením montážního návodu nebo z důvodů neodborné instalace, nedodržování návodu k použití (jako např. připojení na chybné síťové napětí nebo druh proudu), nedovoleného nebo neodborného používání (jako např. přetížení přístroje nebo použití neschválených vložných nástrojů nebo příslušenství), nedodržení pokynů pro údržbu a bezpečnostních pokynů, vniknutí cizích těles do přístroje (jako např. písek, kameny nebo prach), použití násilí nebo poškození v důsledku cizích vlivů (jako např. škody způsobené pádem), jakož také běžného opotřebení způsobeného používáním. To platí obzvláště pro akumulátory, na které přesto poskytujeme záruční lhůtu 12 měsíců. Nárok na záruku zaniká, pokud bylo do přístroje již zasahováno.
3. Záruční doba činí 3 roky a začíná datem koupě přístroje. Nároky na záruku před vypršením záruční doby je třeba uplatňovat během dvou týdnů od zjištění defektu. Uplatňování nároků na záruku po vypršení záruční doby je vyloučeno. Oprava nebo výměna přístroje nevede k prodloužení záruční doby, ani k zahájení nové záruční doby za provedený výkon pro přístroj nebo pro případné zamontované náhradní díly. Toto platí také v případě servisu v místě Vašeho bydliště.
4. Při uplatňování Vašeho nároku na záruku zašlete prosím přístroj bez poštovního na níže uvedenou adresu. Přiložte originál prodejního dokladu nebo jiného datovaného potvrzení o koupi. Pokladní lístek si proto dobře uložte jako důkaz! Popište nám prosím pokud možno přesně důvod reklamace. Je-li defekt přístroje v našem záručním servisu obsažen, obdržíte obratem opravený nebo nový přístroj.

Samozřejmě rádi za úhradu nákladů odstraníme defekty na přístroji, které nespádají nebo již nespádají do rozsahu záruky. K tomu nám přístroj prosím zašlete na naši servisní adresu.

**Einhell UNICORE s.r.o.**

Holečkova 4

CZ-360 17 Karlovy Vary

Czech Republic

Tel.: +420 353 440 245 · Fax: +420 359 607 228

E-Mail: servis@einhell.cz

IAN 89566



SK

## Obsah

1. Úvod .....	34
2. Bezpečnostné pokyny .....	34
3. Popis prístroja a objem dodávky .....	36
4. Predpísaný účel použitia .....	37
5. Technické údaje .....	37
6. Pred uvedením do prevádzky .....	38
7. Montáž a uvedenie do prevádzky .....	38
8. Výmena sieťového prípojného vedenia .....	39
9. Čistenie, údržba, skladovanie, objednanie náhradných dielov a transport .....	39
10. Likvidácia a recyklácia .....	41
11. Možné príčiny poruchy .....	42
12. Prehlásenie o zhode .....	43
13. Záručný list .....	44

Dodatočná tlač alebo iné reprodukovanie dokumentácie a sprievodných dokladov výrobkov, taktiež ich častí, je prípustná len s výslovným súhlasom spoločnosti iSC GmbH.

Technické zmeny vyhradené





**Výstraha** - Aby ste znížili riziko poranenia, prečítajte si návod na obsluhu



**Používajte ochranu sluchu.** Pôsobenie hluku môže spôsobiť poškodenie sluchu.



**Výstraha pred elektrickým napätím**



**Výstraha pred horúcimi dielmi**



**Výstraha! Jednotka je riadená diaľkovo a môže sa rozbehnúť bez predchádzajúceho varovania**



**Pozor!** Pred uvedením do prevádzky skontrolovať stav oleja a vymeniť olejovú zátku!



**Pozor!** Neotvárať ventil/regulátor tlaku pred tým, než bude zapojená pneumatická hadica.

 **OFF**

 **ON**

Pri preťažení prístroja sa záťažový vypínač vypne, aby sa zabránilo škodám. Po schladení stlačte tlačidlo, aby ste prístroj znovu uviedli do prevádzky.

## 1. Úvod

Srdečne blahoželáme ku kúpe Vášho nového prístroja. Rozhodli ste sa tak pre vysoko kvalitný výrobok. Návod na obsluhu je súčasťou tohto výrobku. Obsahuje dôležité pokyny pre bezpečnosť, používanie a likvidáciu. Oboznámte sa pred použitím výrobku so všetkými obslužnými a bezpečnostnými pokynmi. Používajte tento výrobok len podľa popisu a v uvedených oblastiach použitia. Odovzdajte všetky podklady spolu s výrobkom v prípade odovzdania výrobku tretím osobám.

## 2. Bezpečnostné pokyny

### ⚠ Výstraha!

**Prečítajte si všetky bezpečnostné predpisy a pokyny.** Nedostatky pri dodržovaní bezpečnostných predpisov a pokynov môžu mať za následok úraz elektrickým prúdom, vznik požiaru a/alebo ťažké poranenia. **Všetky bezpečnostné predpisy a pokyny si odložte pre budúce použitie.**

### 2.1 Bezpečnostné pokyny

**⚠ Pozor! Pri použití tohto kompresora je potrebné kvôli ochrane pred elektrickým úrazom, nebezpečenstvom zranenia a nebezpečenstvom vzniku požiaru, dodržiavať nasledovné základné bezpečnostné opatrenia. Pred používaním tohto prístroja si prečítajte a dodržiavajte tieto pokyny.**

- **Udržujte vaše pracovisko vždy v čistom stave**  
Neporiadok na pracovisku spôsobuje nebezpečenstvo úrazu.
- **Zohľadnite vplyvy okolitého prostredia**  
Nevystavujte kompresor dažďu. Nepoužívajte kompresor vo vlhkom alebo mokrom prostredí. Nebezpečenstvo elektrického úderu! Postarajte sa o dobré osvetlenie. Nepoužívajte kompresor v blízkosti horľavých

tekutín alebo plynov. Nebezpečenstvo výbuchu!

- **Chráňte sa pred elektrickým úderom**  
Zabráňte telesnému dotyku s uzemnenými predmetmi, ako napríklad potrubnými rúrami, radiátormi, pecami, chladničkami.
- **Zabráňte prístupu deťom!**  
Nedovoľte iným osobám dotýkať sa kompresora alebo káblu počas práce, zabráňte im vstupu do vašej pracovnej oblasti.
- **Uchovajte váš kompresor na bezpečnom mieste**  
Nepoužívaný kompresor musí byť uskladnený v suchej, uzatvorenej miestnosti a mimo dosahu detí.
- **Nepreťažujte váš kompresor**  
Práca je dôkladnejšia a bezpečnejšia v rozmedzí uvedeného výkonu prístroja.
- **Noste vhodný pracovný odev**  
Nenoste široký odev alebo šperky. Môžu byť totiž zachytené pohyblivými súčiastkami prístroja. Pri prácach vonku sa odporúčajú gumené rukavice a protišmyková pevná obuv. Ak máte dlhé vlasy, používajte sieťku na vlasy. Nebezpečenstvo poranenia!
- **Nepoužívajte kábel na iné účely**  
Neťahajte kompresor za elektrický kábel a nepoužívajte kábel tak, aby ste ním vytiahli zástrčku zo zásuvky. Chráňte elektrický kábel pred teplom, olejom a ostrými hranami. Kábel/zástrčka sa môžu poškodiť.
- **Dôkladne ošetrte váš kompresor**  
Udržujte váš kompresor vždy čistý, aby ste mohli pracovať dôkladne a bezpečne. Dodržiavajte predpisy pre údržbu. Pravidelne kontrolujte zástrčku a kábel, a pri eventualnom poškodení ich nechajte vymeniť autorizovaným odborníkom. Pravidelne kontrolujte predlžovací kábel a nahraďte káble, ktoré sú poškodené.
- **Vytiahnite elektrický kábel zo siete**  
Pokiaľ prístroj nepoužívate a pred údržbou.
- **Zabráňte samovoľnému rozbehnutiu prístroja**  
Presvedčte sa o tom, že je spínač pri prípojke na elektrickú sieť vypnutý.

- **Predlžovací kábel vo vonkajšom prostredí**

Pri práci vonku používajte len také predlžovacie káble, ktoré sú na to určené a sú aj príslušne označené.

- **Buďte vždy pozorný**

Pozorujte vždy Vašu prácu. Postupujte vždy rozumne. Nepoužívajte kompresor vtedy, keď sa na prácu nemôžete koncentrovať.

- **Skontrolujte váš kompresor, či nie je poškodený**

Pred ďalším používaním kompresora starostlivo skontrolujte, či sú ochranné zariadenia alebo ľahko poškodené súčiastky stále v náležitom funkčnom stave podľa predpisov. Skontrolujte, či je funkcia všetkých pohyblivých dielov prístroja v poriadku, t.j. či nedochádza k ich blokovaniu alebo nie sú poškodené. Všetky diely musia byť správne namontované, aby sa zabezpečila bezpečnosť prístroja. Poškodené ochranné zariadenia a súčiastky musia byť odbornou opravené alebo vymenené v zákazníckom servise, pokiaľ nie je v návode na obsluhu uvedené inak. Poškodené spínače musia byť nahradené v zákazníckom servise. V žiadnom prípade nepoužívajte prístroje, ak na nich nie je možné vypnúť a zapnúť ich vypínač.

- **Pozor!**

Používajte kvôli vašej vlastnej bezpečnosti vždy len príslušenstvo a prídavné zariadenia, ktoré sú uvedené v návode na obsluhu alebo sú odporúčané resp. uvádzané výrobcom prístroja. Použitie obrábacích nástrojov alebo príslušenstva, ktoré nie sú uvedené v návode na obsluhu alebo v katalógu, môže pre vás osobne znamenať vznik eventuálneho nebezpečenstva zranenia

- **Opravy iba odborným elektrikárom**

Opravy smie vykonávať len odborný elektrikár, v opačnom prípade môže dôjsť k úrazom obsluhujúcich osôb.

- **Hluk**

Pri používaní kompresora používať ochranu sluchu.

- **Výmena prípojného vedenia**

V prípade poškodenia prípojného vedenia sa musí vymeniť výrobcom alebo odborným

elektrikárom, aby sa zabránilo rizikám.

Nebezpečenstvo elektrického úderu!

- **Plnenie pneumatík**

Skontrolujte tlak pneumatík bezprostredne po naplnení pomocou vhodného tlakomeru, napr. na čerpacej stanici.

- **Pojazdné kompresory v prevádzke na stavbách**

Dbajte nato, aby boli všetky hadice a armatúry vhodné pre najvyšší prípustný pracovný tlak kompresoru.

- **Miesto postavenia**

Postavte kompresor len na rovnú plochu.

- Dbajte na to, aby boli všetky použité pneumatické hadice a armatúry vhodné pre prevádzku s maximálnym tlakom kompresora.

- Odporúča sa používať pri tlakoch nad 7 bar hadicu s bezpečnostným káblom.

## 2.2 Bezpečnostné pokyny pre prácu so stlačeným vzduchom a vyfukovacími pištoľami

- Hustiaca pumpa a vedenia dosahujú počas prevádzky vysoké teploty. Kontakt môže viesť k popáleniam.

- Vzduch nasávaný kompresorom nesmie obsahovať prímеси, ktoré by mohli v hustiacej pumpe viesť k vzniku požiarov alebo explózií.

- Pri uvoľňovaní hadicovej spojky pevne držte rukou spojkový diel hadice. Takto zabránite prípadnému zraneniu spätným úderom hadice.

- Pri práci s vyfukovacou pištoľou používať ochranné okuliare. Cudzími telesami a od-fúkнутými časťami je ľahko možné spôsobiť prípadné zranenia.

- Vyfukovacou pištoľou nesmerovať prúd vzduchu na osoby alebo na odev na tele. Nebezpečenstvo poranenia!



### 2.3 Bezpečnostné pokyny pri striekaní farby

- Nespracováajte nikdy laky alebo riedidlá s bodom vzplanutia nižším ako 55° C. Nebezpečenstvo výbuchu!
- Laky a riedidlá neohrievajte. Nebezpečenstvo výbuchu!
- Ak sa spracovávajú zdraviu škodlivé tekutiny, sú potrebné za účelom ochrany filtračné prístroje (masky na tvár). Prosím dbajte na údaje výrobcu týchto použitých látok o potrebných ochranných opatreniach.
- Je potrebné dbať na údaje a označenia podľa smerníc o nebezpečných látkach uvedených na obaloch spracovávaných materiálov. V prípade, že to je potrebné, sa musia urobiť dodatočné opatrenia, predovšetkým používať vhodný odev a ochranné masky.
- Počas procesu striekania a ani v pracovnej miestnosti sa nesmie fajčiť. Nebezpečenstvo výbuchu! Taktiež výpary farieb sú ľahko horľavé.
- Ohniská, otvorené svetlo alebo iskriace prístroje sa tu nesmú vyskytovať resp. byť prevádzkované.
- Jedlá a nápoje neskladovať ani nekonzumovať v pracovnej miestnosti. Výpary farieb sú zdraviu škodlivé.
- Pracovný priestor musí byť väčší ako 30 m<sup>3</sup> a musí byť zabezpečená dostatočná výmena vzduchu pri striekaní a sušení. Nestriekať proti vetru. Zásadne dodržiavať pri striekaní horľavých resp. nebezpečných tekutých materiálov dodržiavať predpisy miestneho policajného zboru.
- V spojení s tlakovou hadicou z PVC nespracováajte žiadne médiá ako sú napr. testovací benzín, butylalkohol a metylénchlorid.
- Tieto médiá môžu zničiť tlakovú hadicu.

### 2.4 Prevádzka tlakových nádrží

- Prevádzkovateľ tlakovej nádrže musí nádrž udržiavať v dobrom stave podľa predpisov, správne vykonávať jej prevádzku, kontrolovať ju, realizovať nevyhnutné údržbové práce a opravy v prípade potreby a podľa okolností zaviesť potrebné bezpečnostné opatrenia.
- Dozorný úrad môže v jednotlivých prípadoch nariadiť kontrolné opatrenia.
- Tlaková nádrž sa nesmie prevádzkovať vtedy, keď sa na nej vyskytujú nedostatky, ktoré by mohli ohrozovať zamestnancov alebo iné osoby.
- Skontrolujte tlakovú nádobu pred každým použitím, či nie je skorodovaná alebo poškodená. Kompresor sa nesmie prevádzkovať s poškodenou alebo skorodovanou tlakovou nádobou. V prípade, že sa zistia poškodenia, obráťte sa prosím na zákaznicky servis.

**Starostlivo uschovajte tieto bezpečnostné pokyny.**

## 3. Popis prístroja a objem dodávky

### 3.1 Popis prístroja

1. Transportná rukoväť
2. Tlakový spínač
3. Regulátor tlaku
4. Rýchlospojka (regulovaný stlačený vzduch)
5. Manometer (na odčítanie nastaveného tlaku)
6. Manometer (na odčítanie tlaku kotla)
7. Tlaková nádrž
8. Podstavecová noha
9. Vypúšťacia skrutka na kondenzovanú vodu
10. Osová skrutka
11. Koleso
12. Spätný ventil s tlakovým vedením
13. Hustiaca pumpa
14. Kryt
15. Vzduchový filter
16. Olejová zátku s olejovou mierkou
17. Vypínač zap/vyp
18. Olejová vypúšťacia skrutka
19. Bezpečnostný ventil

20. Rýchlospojka (neregulovaný stlačený vzduch)
21. Plniaci otvor oleja
22. Podložka
23. Pružiacia podložka
24. Matica
25. Skrutka
26. Podložka
27. Podložka
28. Matica
29. Krytka kolesa

### 3.2 Objem dodávky

- Otvorte balenie a opatrne vyberte prístroj von z balenia.
- Odstráňte obalový materiál ako aj obalové/transportné poistky (pokiaľ sú obsiahnuté).
- Skontrolujte, či je obsah dodávky kompletný.
- Skontrolujte, či nedošlo k poškodeniu prístroja a príslušenstva transportom.
- Pokiaľ možno, uschovajte si obal až do konca záručnej doby.

#### **Pozor!**

**Prístroj a obalový materiál nie sú hračky! Deti sa nesmú hrať s plastovými vreckami, fóliami ani malými dielmi! Hrozí nebezpečenstvo prehltnutia a udusení!**

## 4. Predpísaný účel použitia

Kompresor slúži na výrobu stlačeného vzduchu pre pneumaticky poháňané nástroje, ktoré sa môžu prevádzkovať s množstvom vzduchu do cca 360 l/min (napr. plnenie pneumatík, vyfukovacia pištoľ a lakovacia pištoľ). Pneumatické nástroje, ktoré majú veľmi vysokú spotrebu vzduchu, môžu byť použité s týmto kompresorom len obmedzene. Skontrolujte na prístrojoch s vysokou spotrebou vzduchu (napr. vibračná brúska, tyčová brúska, rázový ťahovač), či je množstvo vzduchu kompresora dostatočné, aby tieto prístroje mohli byť prevádzkované. Prepravované množstvo vzduchu kompresora musí byť vyššie ako spotreba vzduchu pneumatického nástroja pri jeho prevádzkovom tlaku.

Prístroj smie byť použitý len na ten účel, na ktorý bol určený. Akékoľvek iné odlišné použitie sa považuje za nespĺňajúce účel použitia. Za škody alebo zranenia akéhokoľvek druhu spôsobené nesprávnym používaním ručí používateľ/obsluhujúca osoba, nie však výrobca.

Prosím berte ohľad na skutočnosť, že naše prístroje neboli svojím určením konštruované na profesionálne, remeselnícke ani priemyselné použitie. Nepreberáme žiadne záručné ručenie, ak sa prístroj bude používať v profesionálnych, remeselníckych alebo priemyselných prevádzkach ako aj na činnosti rovnocenné s takýmto použitím.

## 5. Technické údaje

Sieťové pripojenie: ..... 230 V ~ 50 Hz  
 Výkon motora kW: ..... S1 2400 W  
 ..... S2 30 min 2600 W  
 Otáčky kompresora min<sup>-1</sup>: ..... 2850  
 Prevádzkový tlak v baroch: ..... max. 8  
 Objem tlakovej nádrže (v litroch): ..... 50  
 Teor. nasávací výkon l/min.: ..... cca 360  
 Efektívny odber pri tlaku 7 bar ..... cca 170 l/min  
 Hladina akustického výkonu L<sub>WA</sub> v dB: ..... 96  
 Faktor neistoty K<sub>WA</sub>: ..... 2 dB  
 Hladina akustického tlaku L<sub>pA</sub> v dB: ..... 74  
 Faktor neistoty K<sub>pA</sub>: ..... 2 dB  
 Druh ochrany: ..... IP20  
 Hmotnosť prístroja v kg: ..... cca 38,5  
 Olej (15W 40) ..... 0,7 l

#### **Doba zapnutia:**

Doba zapnutia S2 30 min (krátkodobá prevádzka) znamená, že sa motor s nominálnym výkonom 2600 wattov môže trvalo zaťažovať len po dobu uvedenú na výrobnom štítku (30 min). V opačnom prípade by sa motor neprípustne zohrial. Počas prestávky sa motor znovu ochladí na svoju pôvodnú teplotu.

Emisné hodnoty hluku boli merané podľa EN ISO 2151: 2008.

## 6. Pred uvedením do prevádzky

Presvedčte sa pred zapojením prístroja do siete o tom, či údaje na typovom štítku prístroja súhlasia s údajmi elektrickej siete.

- Skontrolujte prípadné poškodenie transportom. Akékoľvek poškodenia ihneď ohláste dopravnej spoločnosti, ktorá dodala zakúpený kompresor.
- Postavenie kompresora sa musí uskutočniť v blízkosti spotrebiča.
- Dlhé vzduchové vedenia a dlhé prírodné vedenia (predlžovacie káble) sa neodporúčajú.
- Dbajte na suchý a bezprašný nasávaný vzduch.
- Neumiestňujte kompresor vo vlhkej alebo mokrej miestnosti.
- Kompresor smie byť používaný len vo vhodných miestnostiach (dobře vetraných, s teplotou okolia +5 °C až 40 °C). V miestnostiach sa nesmie nachádzať prach, kyseliny, výpary, explozívne ani zápalné plyny.
- Kompresor je vhodný pre použitie v suchých miestnostiach. V oblastiach, kde sa pracuje so striekajúcou vodou, je použitie prístroja zakázané.
- Pred prvým uvedením do prevádzky musí byť skontrolovaný stav oleja v čerpadle kompresora (pozri 9.4).

## 7. Montáž a uvedenie do prevádzky

### ⚠ Pozor!

**Pred uvedením do prevádzky prístroj bezpodmienečne kompletne zmontovať!**

Na montáž potrebujete:

- 1 x vidlicový skrutkovač 13 mm (nie je súčasťou dodávky)
- 2 x vidlicový skrutkovač 16 mm (nie je súčasťou dodávky)

### 7.1 Montáž kolies (11)

Namontujte priložené kolesá tak, ako je to znázornené na obrázku 5.

### 7.2 Montáž podstavcových nôh (8)

Namontujte priložené podstavcové nohy tak, ako je to znázornené na obrázku 6.

### 7.3 Montáž vzduchových filtrov (15)

Odstráňte transportné zátky (B) a pevne priskrutkujte vzduchové filtre (15) na prístroji (obr. 7, 8). Dbajte na to, aby nasávací otvor na vzduchovom filtri ukazoval smerom nadol.

### 7.4 Výmena transportného krytu (A)

Odstráňte transportný kryt z plniaceho otvoru oleja (21) a nasadte priloženú olejovú zátku (16) do plniaceho otvoru oleja. (obr. 9, 10)

### 7.5 Sieťové pripojenie

- Pred uvedením do prevádzky dbajte na to, či prítomné sieťové napätie zodpovedá prevádzkovému napätiu (podľa typového štítku na prístroji).
- Dlhé prírodné vedenia, ako aj predlžovacie káble, káblové bubny atď. spôsobujú zníženie napätia a môžu tak zabrániť rozbehnutiu motora.
- Pri nízkych teplotách pod +5 °C je nábeh motora ohrozený ťažkým chodom.

### 7.6 Vypínač zap/vyp (obr. 2)

Kompresor sa zapína vytiahnutím vypínača zap/vyp (17) smerom nahor. Kompresor sa vypína zatlačením vypínača zap/vyp smerom nadol.

### 7.7 Nastavenie tlaku: (obr. 1 - 3)

- Pomocou tlakového regulátora (3) sa nastavuje tlak na manometri (5).
- Za účelom nastavenia tlaku otáčajte za rukoväť tlakového regulátora.
- Nastavený tlak sa môže odoberať cez rýchlospojku (4).
- Na manometri (6) sa odčíta tlak kotla.
- Tlak kotla sa odoberá cez rýchlospojku (20).

### 7.8 Nastavenie tlakového spínača (obr. 1)

Tlakový spínač (2) je nastavený výrobcom. Zapínací tlak cca 6 bar  
Vypínací tlak cca 8 bar

### 7.9 Ochrana proti preťaženiu (obr. 3)

Motor tohto prístroja je zabezpečený proti preťaženiu záťažovým vypínačom (G). Pri prekročení nominálneho prúdu záťažový vypínač (G) vypne prístroj. Po krátkej fáze schladenia môže byť prístroj znovu zapnutý stlačením záťažového vypínača (G).

## 8. Výmena sieťového prípojného vedenia

Ak dôjde k poškodeniu sieťového vedenia tohto prístroja, musí byť vymenené výrobcom alebo jeho zákazníckym servisom alebo inou, podobne kvalifikovanou osobou, aby sa zabránilo vzniku nebezpečenstva.

## 9. Čistenie, údržba, skladovanie, objednanie náhradných dielov a transport

### ⚠ Pozor!

**Pred všetkými čistiacimi a údržbovými prácami vytiahnite kábel zo siete! Nebezpečenstvo poranenia elektrickými údermi!**

### ⚠ Pozor!

**Počkajte, kým bude prístroj úplne vychladnutý! Nebezpečenstvo popálenia!**

### ⚠ Pozor!

**Pred všetkými čistiacimi a údržbovými prácami zbaviť prístroj tlaku (pozri 9.7.1)! Nebezpečenstvo poranenia!**

### 9.1 Čistenie

- Udržujte prístroj vždy v čo najčistejšom stave bez prachu a nečistôt. Utrite prístroj čistou utierkou alebo ho vyčistite vyfúkaním stlačeným vzduchom pri nastavení na nízky tlak.
- Odporúčame, aby ste prístroj čistili priamo po každom použití.
- Čistíte prístroj pravidelne pomocou vlhkej utierky a malého množstva tekutého mydla. Nepoužívajte žiadne agresívne čistiace prostriedky ani riedidlá; tieto prostriedky by mohli napadnúť umelohmotné diely prístroja. Dbajte na to, aby sa do vnútra prístroja nedostala voda.
- Hadica a striekacie nástroje sa musia pred čistením odpojiť z kompresora. Kompresor nesmie byť čistený vodou, rozpúšťadlami a pod.

### 9.2 Údržba tlakovej nádoby (obr. 1)

Pozor! Pre dlhodobú trvanlivosť tlakovej nádoby (7) sa musí po každej prevádzke vypustiť kondenzovaná voda otvorením vypúšťacej skrutky (9). Predtým nechajte vypustiť tlak z nádoby (9.7.1). Vypúšťacia skrutka sa otvára otočením proti smeru hodinových ručičiek (pri smere pohľadu zo spodnej strany kompresora na skrutku), aby mohla kondenzovaná voda kompletne odtečť z tlakovej nádoby. Vypúšťaciu skrutku potom znovu pevne dotiahnite (otáčanie v smere hodinových ručičiek). Skontrolujte tlakovú nádobu pred každým použitím, či nie je skorodovaná alebo poškodená. Kompresor sa nesmie prevádzkovať s poškodenou alebo skorodovanou tlakovou nádobou. V prípade, že sa zistia poškodenia, obráťte sa prosím na zákaznícky servis.

#### **⚠ Pozor!**

**Kondenzovaná voda z tlakovej nádoby obsahuje zvyšky oleja. Zlikvidujte kondenzovanú vodu ekologicky na príslušnom zbernom mieste.**

### 9.3 Bezpečnostný ventil (obr. 2)

Bezpečnostný ventil (19) je nastavený na najvyšší prípustný tlak v tlakovej nádobe. Nie je prípustné meniť nastavenie bezpečnostného ventilu alebo odstraňovať z neho plombu. Aby bezpečnostný ventil v prípade potreby správne fungoval, musí sa tento ventil občas aktivovať. Potiahnite za krúžok tak silno, aby ste zreteľne počuli unikanie tlakového vzduchu. Nakoniec znovu krúžok pusťte.

### 9.4 Pravidelná kontrola hladiny oleja (obr. 11)

Kompresor postavte na rovnú, priamu plochu. Hladina oleja sa musí nachádzať medzi značkami MAX a MIN na olejovej mierke (16). Výmena oleja: Odporúčaný olej: SAE 15W 40 alebo rovnocenný olej. Prvá náplň oleja musí byť vymenená po 100 prevádzkových hodinách; potom sa musí každých 300 prevádzkových hodín olej vypustiť a doplniť nový.

### 9.5 Výmena oleja (obr. 1, 10, 11)

Vypnite motor a vytiahnite elektrický kábel zo zásuvky. Po vypustení prípadného prítomného vzduchového tlaku (9.7.1) môžete odskrutkovať olejovú vypúšťaciu skrutku (18) na hustiacej pumpe (13). Aby olej nemohol nekontrolovane vytekať von, podložte pod motor malý plechový žľab a zachyťte olej vo vhodnej nádobe. Ak olej nevytečie úplne celý von, odporúčame mierne naklonenie kompresora. Ak je olej úplne vypustený, znovu zaskrutkujte olejovú vypúšťaciu skrutku (18).

#### **Starý olej odstráňte v príslušnom zbernom mieste pre opotrebovaný olej.**

Aby bolo možné naplniť správne množstvo oleja, dbajte na to, aby stál kompresor na rovnej ploche. Nalievajte nový olej do plniaceho otvoru (21), až kým stav oleja nedosiahne maximálnu hladinu náplne. Skontrolujte hladinu oleja zasunutím olejovej mierky. Neprekračujte maximálne množstvo naplnenia. Preplnenie môže mať za následok poškodenie prístroja. Nasadte olejovú zátku (16) znovu na plniaci otvor oleja (21).

### 9.6 Vyčistenie nasávacieho filtra (obr. 2, 3, 12)

Nasávacie filtre (15) zabraňujú nasávaniu prachu a nečistôt. Je potrebné, aby sa tieto filtre čistili minimálne každých 300 prevádzkových hodín. Upchatý nasávací filter značne znižuje výkon kompresora.

Vyberte nasávacie filtre odskrutkovaním z prístroja. Teleso filtra (D) je nasunuté na kryte filtra (C) a je možné ho odobrať ľahkým zatlačením na kryt filtra. Vzduchový filter (F), kryt filtra a teleso filtra opatrne vyklepte. Tieto diely sa potom musia vyfúkať stlačeným vzduchom (cca 3 bar) a znovu namontovať naspäť v opačnom poradí.

Kryt filtra a teleso filtra majú rôzne aretačné polohy. Dbajte na to, aby pri montáži nasávacieho filtra ukazoval nasávací otvor smerom nadol.



## 9.7 Skladovanie

### ⚠ Pozor!

**Vytiahnite elektrickú zástrčku zo siete, odvdzdušnite prístroj a všetky zapojené pneumatiké prístroje (pozri 9.7.1). Kompresor odstavte tak, aby nemohol byť uvedený do prevádzky nepovolanou osobou.**

### ⚠ Pozor!

**Kompresor skladovať len v suchom prostredí, ktoré je neprístupné nepovolaným osobám. Nepreklápať, ale skladovať v postavenom stave! Olej môže vytiecť von!**

### 9.7.1 Vypustenie pretlaku

Vypustite pretlak z kompresoru takým spôsobom, že kompresor vypnete a spotrebujete ešte prítomný tlak vzduchu v tlakovej nádobe, napr. pustením pneumatikého nástroja na voľnobeh alebo vyfukovacou pištoľou.

## 9.8 Objednávanie náhradných dielov:

Pri objednávaní náhradných dielov je potrebné uviesť nasledovné údaje:

- Typ prístroja
- Výrobné číslo prístroja
- Identifikačné číslo prístroja

Aktuálne ceny a informácie nájdete na stránke [www.isc-gmbh.info](http://www.isc-gmbh.info)

## 9.9 Transport (obr. 1)

- Vypnite kompresor pred presúvaním a zdvíhaním a vyťahnite elektrickú zástrčku zo siete.
- Používajte pri presúvaní kompresoru transportnú rukoväť (1).
- Používajte na zdvíhanie kompresora transportnú rukoväť (1) na tlakovej nádrži (7). Berte na vedomie hmotnosť prístroja!
- Kompresor transportujte len v postavenom stave, aby ste zabránili vytečeniu oleja a zabezpečte ho proti prevráteniu.
- Kompresor zabezpečte podľa príslušných predpisov pre transport vo vozidlách.

## 10. Likvidácia a recyklácia

Prístroj sa nachádza v obale za účelom zabránenia poškodeniu pri transporte. Tento obal je vyrobený zo suroviny a tým pádom je ho možné znovu použiť alebo sa môže dať do zberu na recykláciu surovín. Prístroj a jeho príslušenstvo sa skladajú z rôznych materiálov, ako sú napr. kovy a plasty. Poškodené súčiastky odovzdajte na vhodnú likvidáciu špeciálneho odpadu. Informujte sa v odbornej predajni alebo na miestnych úradoch!



Len pre krajiny EÚ

Neodstraňujte elektrické prístroje ako domový odpad!

Podľa Európskej smernice 2002/96/ES o odpade z elektrických a elektronických zariadení (OEEZ) a v súlade s národnými právnymi predpismi sa musia použité elektronické prístroje odovzdať do triedeného zberu a musí sa zabezpečiť ich špecifické spracovanie v súlade s ochranou životného prostredia (recyklácia).

Recyklačná alternatíva k výzve na spätné zaslanie výrobku:

Majiteľ elektrického prístroja je alternatívne namiesto spätnej zásielky povinný spolupracovať pri riadnej recyklácii prístroja v prípade vzdania sa jeho vlastníctva. Starý prístroj môže byť za týmto účelom taktiež prenechaný zbernému miestu, ktoré vykoná odstránenie v zmysle národného zákona o recyklácii a odpadovom hospodárstve. Netýka sa to dielov príslušenstva, priložených k starým prístrojom a pomocných prostriedkov bez elektronických komponentov.

## 11. Možné príčiny poruchy

Problém	Príčina	Riešenie
Kompresor nebeží.	<ol style="list-style-type: none"> <li>1. Nie je k dispozícii sieťové napätie.</li> <li>2. Príliš nízke sieťové napätie.</li> <li>3. Vonkajšia teplota príliš nízka.</li> <li>4. Prehriaty motor.</li> </ol>	<ol style="list-style-type: none"> <li>1. Skontrolovať kábel, sieťovú zástrčku, poistku a zásuvku.</li> <li>2. Nepoužívať príliš dlhé predlžovacie káble. Použiť predlžovací kábel s dostatočným prierezom žily.</li> <li>3. Neprevádzkovať pri vonkajšej teplote nižšej ako +5°.</li> <li>4. Motor nechať vychladnúť prípadne odstrániť príčinu prehriatia.</li> </ol>
Kompresor beží, avšak bez tlaku.	<ol style="list-style-type: none"> <li>1. Spätný ventil je netesný.</li> <li>2. Tesnenia sú poškodené.</li> <li>3. Vypúšťacia skrutka na kondenzovanú vodu (9) netesná.</li> </ol>	<ol style="list-style-type: none"> <li>1. Vymeniť spätný ventil.</li> <li>2. Skontrolovať tesnenia, opotrebované tesnenia nechať vymeniť v odbornom servise.</li> <li>3. Rukou dotiahnuť skrutku. Skontrolovať tesnenie na skrutke, prípadne vymeniť.</li> </ol>
Kompresor beží, tlak sa zobrazuje na manometri, ale nástroje nebežia.	<ol style="list-style-type: none"> <li>1. Netesné hadicové spoje.</li> <li>2. Netesná rýchlospojka (4,20).</li> <li>3. Nastavený príliš nízky tlak na regulátore tlaku (3).</li> </ol>	<ol style="list-style-type: none"> <li>1. Skontrolovať pneumatickú hadicu a nástroje, v prípade potreby vymeniť.</li> <li>2. Skontrolovať rýchlospojku, v prípade potreby vymeniť.</li> <li>3. Regulátor tlaku ďalej povoliť.</li> </ol>

## 12. Prehlásenie o zhode

Einhell Germany AG · Wiesenweg 22 · D-94405 Landau/Isar		CE	
Konformitätserklärung			
<b>D</b>	erklärt folgende Konformität gemäß EU-Richtlinie und Normen für Artikel	<b>PL</b>	deklaruje zgodność wymienionego poniżej artykułu z następującymi normami na podstawie dyrektywy WE.
<b>GB</b>	explains the following conformity according to EU directives and norms for the following product	<b>BG</b>	декларира съответното съответствие съгласно Директива на ЕС и норми за артикул
<b>F</b>	déclare la conformité suivante selon la directive CE et les normes concernant l'article	<b>LV</b>	paskaidro šādu atbilstību ES direktīvai un standartiem
<b>I</b>	dichiara la seguente conformità secondo la direttiva UE e le norme per l'articolo	<b>LT</b>	apibūdina šį atitikimą EU reikalavimams ir prekės normoms
<b>NL</b>	verklaart de volgende overeenstemming conform EU richtlijn en normen voor het product	<b>RO</b>	declară următoarea conformitate conform directivei UE și normelor pentru articolul
<b>E</b>	declara la siguiente conformidad a tenor de la directiva y normas de la UE para el artículo	<b>GR</b>	δηλώνει την ακόλουθη συμμόρφωση σύμφωνα με την Οδηγία ΕΚ και τα πρότυπα για το προϊόν
<b>P</b>	declara a seguinte conformidade, de acordo com a directiva CE e normas para o artigo	<b>HR</b>	potvrđuje sljedeću usklađenost prema smjernicama EU i normama za artikl
<b>DK</b>	attesterer følgende overensstemmelse i medfør af EU-direktiv samt standarder for artikel	<b>HR</b>	izjava o sukladnosti za ovaj proizvod dostupna je na internet stranici www.lidl.hr.
<b>S</b>	förklarar följande överensstämmelse enl. EU-direktiv och standarder för artikeln	<b>BIH</b>	potvrđuje sljedeću usklađenost prema smjernicama EU i normama za artikl
<b>FIN</b>	vakuuttaa, että tuote täyttää EU-direktiivin ja standardien vaatimukset	<b>RS</b>	potvrđuje sledeću usklađenost prema smernicama EZ i normama za artikal
<b>EE</b>	tõendab toote vastavust EL direktiivile ja standarditele	<b>RUS</b>	следующим удостоверяется, что следующие продукты соответствуют директивам и нормам ЕС
<b>CZ</b>	vydává následující prohlášení o shodě podle směrnice EU a norem pro výrobek	<b>UKR</b>	проголошує про зазначену нижче відповідність виробу директивам та стандартам ЄС на виріб
<b>SLO</b>	potvrjuje sledečo skladnost s smernico EU in standardi za izdelek	<b>MK</b>	ja изјавува следната сообразност согласно ЕУ-директивата и нормите за артикли
<b>SK</b>	vydává nasledujúce prehlásenie o zhode podľa smernice EÚ a noriem pre výrobok	<b>TR</b>	Ürünü ile ilgili AB direktifleri ve normları gereğince aşağıda açıklanan uygunluğu belirtir
<b>H</b>	a következô konformitást jelenté ki	<b>N</b>	erklærer følgende samsvar i henhold til EU-direktivet og standarder for artikkel
		<b>IS</b>	Lýsir uppfyllingu EU-reglna og annarra staðla vöru

### Kompressor PKO 400 B2 (Parkside)

<input checked="" type="checkbox"/> 87/404/EC_2009/105/EC	<input checked="" type="checkbox"/> 2006/42/EC
<input type="checkbox"/> 2005/32/EC_2009/125/EC	<input type="checkbox"/> Annex IV
<input type="checkbox"/> 2006/95/EC	Notified Body:
<input type="checkbox"/> 2006/28/EC	Notified Body No.:
<input checked="" type="checkbox"/> 2004/108/EC	Reg. No.:
<input type="checkbox"/> 2004/22/EC	<input type="checkbox"/> 2000/14/EC_2005/88/EC
<input type="checkbox"/> 1999/5/EC	<input type="checkbox"/> Annex V
<input checked="" type="checkbox"/> 97/23/EC	<input type="checkbox"/> Annex VI
<input type="checkbox"/> 90/396/EC_2009/142/EC	Noise measured: L <sub>WA</sub> = dB (A); guaranteed L <sub>WA</sub> = dB (A)
<input type="checkbox"/> 89/686/EC_96/58/EC	P = KW; L <sub>Ø</sub> = cm
<input checked="" type="checkbox"/> 2011/65/EC	Notified Body:
	<input type="checkbox"/> 2004/26/EC
	Emission No.:

**Standard references: EN 1012-1; EN 60204-1; EN 55014-1; EN 55014-2; EN 61000-3-2; EN 61000-3-11**

Landau/Isar, den 25.03.2013	 Weichselgartner/General-Manager	 Yu Feng Qing/Product-Management
-----------------------------	--	---

<b>First CE: 13</b>	<b>Archive-File/Record: NAPR007418</b>
<b>Art.-No.: 40.101.64</b>	<b>Documents registrar: Siegfried Roider</b>
<b>I.-No.: 11013</b>	<b>Wiesenweg 22, D-94405 Landau/Isar</b>
<b>Subject to change without notice</b>	

### 13. Záručný list

Vážená zákazníčka, vážený zákazník,  
naše výrobky podliehajú prísnej kontrole kvality. V prípade, že nebude prístroj napriek tomu bezchybne fungovať, je nám to veľmi ľúto a prosíme Vás, aby ste sa obrátili na našu servisnú službu na adrese uvedenej na tomto záručnom liste. Radi Vám budeme k dispozícii taktiež telefonicky na uvedenom servisnom telefónnom čísle. Pri uplatňovaní nárokov na záručné plnenie platia nasledujúce podmienky:

1. Tieto záručné podmienky upravujú dodatočné záručné plnenie. Vaše zákonné nároky na záruku nie sú touto zárukou dotknuté. Naše záručné plnenie je pre Vás zadarmo.
2. Záručné plnenie sa vzťahuje výlučne len na nedostatky, ktoré sú spôsobené chybami materiálu alebo výrobnými chybami, a je obmedzené na odstránenie týchto nedostatkov resp. výmenu prístroja. Prosím, dbajte na to, že naše prístroje neboli svojim určením konštruované na profesionálne, remeselnícke ani priemyselné použitie. Táto záručná zmluva sa preto neuzatvára, ak sa prístroj bude používať v profesionálnych, remeselníckych alebo priemyselných prevádzkach ako aj na činnosti rovnocenné s takýmto použitím. Z našej záruky sú okrem toho vylúčené náhradné plnenie za škody pri transporte, škody spôsobené nedodržaním návodu na montáž alebo na základe neodbornej inštalácie, nedodržaním návodu na použitie (ako napr. pripojením na nesprávne sieťové napätie alebo druh prúdu), zneužívaním alebo nesprávnym používaním (ako napr. preťaženie prístroja alebo použitie neprípustných pracovných nástrojov alebo príslušenstva), nedodržaním pokynov pre údržbu a bezpečnostných pokynov, vniknutím cudzích telies do prístroja (ako napr. piesok, kamene alebo prach), použitím násilia alebo cudzieho pôsobenia (napr. škody spôsobené pádom), a taktiež je vylúčené bežné opotrebenie primerané použitiu. To sa týka predovšetkým akumulátorov, na ktoré napriek tomu garantujeme záručnú dobu 12 mesiacov. Nárok na záruku zaniká, ak už boli na prístroji svojvoľne uskutočnené zásahy.
3. Doba záruky je 3 roky a začína sa dátumom nákupu prístroja. Nároky na záruku sa musia uplatniť pred koncom uplynutia záručnej doby do dvoch týždňov od zistenia nedostatku. Uplatnenie nárokov na záruku po uplynutí záručnej doby je vylúčené. Oprava alebo výmena prístroja nevedie k predĺženiu záručnej doby ani nedochádza na základe tohto plnenia ku vzniku novej záručnej doby pre prístroj ani pre akékoľvek inštalované náhradné diely. To platí taktiež pri nasadení miestneho servisu.
4. Pre uplatnenie nároku na záruku nám prosím zašlite defektný prístroj oslobodený od poštovného na dole uvedenú adresu. Priložte predajný doklad v origináli alebo iný doklad o zakúpení s dátumom. Prosím, starostlivo si preto uschovajte pokladničný blok ako doklad o zakúpení! Prosím, popíšte nám čo najpresnejšie dôvod reklamácie. Ak spadá defekt prístroja pod naše záručné plnenie, dostanete obratom naspäť opravený alebo nový prístroj.

Samozrejme Vám radi opravíme závady na prístroji na vaše náklady, ak tieto závady nespádajú alebo už nespádajú do rozsahu záruky. Prosím, pošlite nám v takom prípade prístroj na našu servisnú adresu.

**Einhell Slovakia s.r.o.**

Diaľničná cesta 18

SK-903 01 Senec

Tel.: + 421 2 209037 87/88 · Fax: +421 2 45241579

E-mail: servissk@einhell.sk

IAN 89566



## Spis treści

1. Przedmowa .....	47
2. Wskazówki bezpieczeństwa .....	47
3. Opis urządzenia i zakres dostawy .....	50
4. Zastosowanie zgodne z przeznaczeniem .....	50
5. Dane techniczne .....	51
6. Przed uruchomieniem .....	51
7. Montaż i uruchomienie.....	52
8. Wymiana przewodu zasilającego.....	53
9. Czyszczenie, konserwacja, przechowywanie, transport i zamawianie części zamiennych.....	53
10. Usuwanie odpadów i recycling.....	55
11. Możliwe przyczyny usterek .....	56
12. Deklaracja zgodności z normami .....	57
13. Warunki gwarancji .....	58

Przedruk lub innego rodzaju powielanie dokumentacji wyrobów oraz dokumentów towarzyszących, nawet we fragmentach dopuszczalne jest tylko za wyraźną zgodą firmy iSC GmbH.

Zmiany techniczne zastrzeżone



Ostrzeżenie - Aby zmniejszyć ryzyko zranienia, należy przeczytać instrukcję obsługi



**Nosić nauszники ochronne.** Hałas powoduje postępującą utratę słuchu.



**Ostrzeżenie przed napięciem elektrycznym**



**Ostrzeżenie przed nagrzanymi elementami**



**Ostrzeżenie! Urządzenie jest zdalnie sterowane i może się uruchomić bez ostrzeżenia.**



**Uwaga!** Przed pierwszym uruchomieniem sprawdzić poziom oleju i wymienić korek zbiornika oleju.



**Uwaga!** Nie odkręcać kranu/zaworu regulacyjnego ciśnienia zanim wąż powietrza nie zostanie podłączony.



**OFF**



**ON**

W przypadku przeciężenia wyłącznik przeciężeniowy w celu uniknięcia szkód wyłącza urządzenie. Po schłodzeniu urządzenia nacisnąć przycisk, aby móc je ponownie uruchomić.

## 1. Przedmowa

Gratulujemy Państwu zakupu urządzenia naszej firmy!

Wybrali Państwo produkt wysokiej jakości. W skład zakupionego produktu wchodzi instrukcja obsługi. Zawiera ona ważne wskazówki na temat bezpieczeństwa, użytku i utylizacji urządzenia. Przed użyciem produktu prosimy zapoznać się z treścią instrukcji obsługi i wskazówek bezpieczeństwa. Prosimy stosować produkt tylko zgodnie z instrukcją i w zalecanym zakresie stosowania. W przypadku przekazania produktu osobom trzecim prosimy o wręczenie im również kompletnej dokumentacji urządzenia.

## 2. Wskazówki bezpieczeństwa

### ⚠ Ostrzeżenie

**Przeczytać wszystkie wskazówki bezpieczeństwa i instrukcję.** Nieprzestrzeganie instrukcji i wskazówek bezpieczeństwa może wywołać porażenia prądem, niebezpieczeństwo pożaru lub ciężkie zranienia.

**Proszę zachować na przyszłość wskazówki bezpieczeństwa i instrukcję.**

### 2.1 Wskazówki bezpieczeństwa

**Uwaga! Podczas pracy z kompresorem należy przestrzegać następujących zasad bezpieczeństwa, aby wykluczyć ryzyko porażenia prądem elektrycznym, obrażeń oraz pożaru. Przed przystąpieniem do użytkowania urządzenia należy wskazać te przyczytać oraz stosować się do nich.**

- **Utrzymywać porządek na stanowisku pracy**  
Nieporządek w miejscu pracy może być przyczyną wypadków.
- **Należy uwzględnić wpływ otoczenia**  
Nie pozostawiać kompresora na deszczu. Nie używać kompresora w wilgotnym lub mokrym otoczeniu. Niebezpieczeństwo porażenia prądem! Zadbaj o dobre oświetlenie. Nie używać kompresora

w pobliżu palnych cieczy lub gazów.

Niebezpieczeństwo wybuchu!

- **Zabezpieczyć się przed porażeniem elektrycznym**  
Nie dotykać ciałem uziemionych elementów, np. rur, kaloryferów, kuchenek, lodówek.
- **Nigdy w pobliżu urządzenia nie powinny przebywać dzieci!**  
Nie pozwolić osobom postronnym na dotyknięcie kompresora lub przewodu zasilającego, nie dopuszczać ich do miejsca wykonywania pracy.
- **Zawsze przechowywać kompresor w bezpiecznym miejscu!**  
Nieużywany kompresor powinien być przechowywany w suchym, zamkniętym na klucz i niedostępnym dla dzieci pomieszczeniu.
- **Nie przeciążać kompresora!**  
Najbezpieczniej i najlepiej pracuje się w podanym zakresie mocy.
- **Zawsze nosić odpowiednią odzież roboczą**  
Nie nosić luźnej odzieży lub biżuterii. Mogą one zostać wciągnięte przez ruchome części urządzenia. Przy wykonywaniu prac na wolnym powietrzu zalecane jest noszenie rękawic gumowych i obuwia z profilowaną podeszwą. Na długie włosy należy zakładać siatkę na włosy. Niebezpieczeństwo obrażeń!
- **Nie używać kabla do celów, do których nie jest on przeznaczony**  
Nigdy przesuwać kompresora ciągnąc za przewód ani nie ciągnąć za kabel przy wyciąganiu wtyczki z gniazdka. Chronić kabel przed wysoką temperaturą, olejami i ostrymi krawędziami. Niebezpieczeństwo uszkodzenia kabla lub wtyczki.
- **Starannie dbać o kompresor**  
Zawsze utrzymywać kompresor w czystości, aby móc dobrze i bezpiecznie pracować. Przestrzegać wskazówek dotyczących konserwacji. Kontrolować regularnie wtyczkę i kabel, a w razie uszkodzenia natychmiast zlecić ich/jego wymianę uprawnionemu elektrykowi. Kontrolować regularnie przedłużacz i w razie uszkodzenia natychmiast go wymienić.

- **Wyciągnąć wtyczkę z gniazdka**  
Jeżeli urządzenie nie będzie używane lub przed pracami konserwacyjnymi.
  - **Unikać niepożądanego rozruchu**  
Upewnić się przed podłączeniem wtyczki kabla zasilającego do gniazdka, że wyłącznik jest wyłączony.
  - **Stosowanie przedłużaczy na wolnym powietrzu**  
Na wolnym powietrzu wolno stosować tylko dopuszczone do tego i odpowiednio oznaczone przedłużacze.
  - **Pracować zawsze uważnie**  
Koncentrować się na wykonywanej pracy. Przy pracy zachować rozsądek. Nie używać kompresora, jeżeli jest się nieskoncentrowanym.
  - **Dokładnie sprawdzać czy kompresor nie jest uszkodzony**  
Przed dalszym stosowaniem kompresora starannie sprawdzić czy urządzenia zabezpieczające, osłony lub lekko uszkodzone części działają prawidłowo i zgodnie ze swoją funkcją. Skontrolować, czy części ruchome funkcjonują prawidłowo i nie zakleszczają się lub czy nie są uszkodzone. Wszystkie części muszą być prawidłowo zamontowane, aby zapewnić bezpieczną pracę urządzenia. O ile nie podano inaczej w instrukcji obsługi, uszkodzone elementy zabezpieczające i części muszą zostać naprawione lub wymienione wyłącznie w warsztacie serwisowym producenta. Wymianę uszkodzonych wyłączników należy powierzyć warsztatowi serwisowemu producenta. Nie używać elektronarzędzi, jeżeli nie działa ich wyłącznik/wyłłącznik.
  - **Uwaga!**  
Dla własnego bezpieczeństwa należy używać tylko wyposażenia dodatkowego i osprzętu podanych w poniższej instrukcji obsługi lub zalecanych bądź podanych przez producenta. Używanie innych - niż podane w instrukcji obsługi lub w katalogu - przystawek lub wyposażenia dodatkowego może oznaczać dla użytkownika niebezpieczeństwo wypadku.
  - **Naprawy elektronarzędzia tylko przez uprawnionego elektryka**  
Naprawy może przeprowadzać tylko uprawniony elektryk. W przeciwnym razie użytkownikom grożą wypadki.
  - **Hałas**  
Podczas pracy z kompresorem stosować środki ochrony słuchu.
  - **Wymiana przewodu zasilającego**  
W razie uszkodzenia przewodu zasilającego, z przyczyn bezpieczeństwa musi być on wymieniony przez producenta lub uprawnionego elektryka. Niebezpieczeństwo porażenia prądem!
  - **Pompowanie opon**  
Bezpośrednio przed napompowaniem opon zmierzyć poziom ciśnienia przy pomocy odpowiedniego manometru, np. na stacji paliw.
  - **Mobilne kompresory na budowie**  
Sprawdzić, czy wszystkie węże i armatury dopuszczone są do pracy z maksymalnym ciśnieniem roboczym kompresora.
  - **Miejsce ustawienia**  
Kompresor należy ustawić na równej powierzchni.
  - Stosować wyłącznie armatury i węże sprężonego powietrza dopuszczone do pracy z maksymalnym ciśnieniem kompresora.
  - Zaleca się, aby w przypadku ciśnień powyżej 7 bar stosować wąż z przewodem bezpieczeństwa.
- ## 2.2 Wskazówki bezpieczeństwa dotyczące pracy ze sprężonym powietrzem i pistoletami na sprężone powietrze
- Pompa kompresora i przewody nagrzewają się mocno podczas pracy. Dotknięcie grozi oparzeniem.
  - Powietrze zasysane przez kompresor musi być wolne od zanieczyszczeń i domieszek, które w pompie kompresora mogłyby być przyczyną zapłonu lub wybuchu.
  - Luźną złączkę należy przytrzymać ręką element sprężający węża. Zapobiega to obrażeniom na skutek niekontrolowanych ruchów węża.
  - Podczas pracy z pistoletem na sprężone po-



wietrze nosić okulary ochronne. Ciała obce i uniesione przez sprężone powietrze przedmioty mogą być przyczyną obrażeń.

- Nigdy nie stosować pistoletu na sprężone powietrze do czyszczenia założonej odzieży. Nie kierować pistoletu w stronę osób. Niebezpieczeństwo obrażeń!

### 2.3 Wskazówki bezpieczeństwa podczas natryskiwania farb

- Nigdy nie pracować z lakierami i rozpuszczalnikami o temperaturze zapłonu poniżej 55° C. Niebezpieczeństwo wybuchu!
- Nie podgrzewać lakierów ani rozpuszczalników. Niebezpieczeństwo wybuchu!
- Podczas pracy z substancjami niebezpiecznymi dla zdrowia konieczne jest stosowanie odpowiednich środków filtrujących (maski na twarz). Przestrzegać wskazówek producentów tych substancji odnośnie środków bezpieczeństwa i higieny pracy.
- Przestrzegać wskazówek i oznaczeń substancji niebezpiecznych podanych na opakowaniach stosowanych materiałów. W razie potrzeby stosować dodatkowe środki ochronne, zwłaszcza nosić odpowiednią odzież i maskę ochronną.
- Nie palić podczas spryskiwania ani w pomieszczeniu roboczym. Niebezpieczeństwo wybuchu! Również opary farb są łatwopalne.
- W pobliżu nigdy nie powinny się znajdować źródła otwartego ognia, płomieni lub iskier (w tym maszyny).
- Zabrania się spożywania lub przechowywania żywności w pomieszczeniu roboczym. Opary farb są szkodliwe dla zdrowia.
- Pomieszczenie robocze musi mieć kubaturę powyżej 30 m<sup>3</sup> oraz mieć zapewnioną odpowiednią wymianę powietrza podczas pryskania i suszenia. Nigdy nie spryskiwać pod wiatr. Zawsze podczas spryskiwania łatwopalnych lub niebezpiecznych substancji stosować się do zaleceń lokalnych jednostek policji.
- Pracując z węzami z PVC nie stosować żadnych substancji zawierających benzynę lakierniczą, butanol ani chlorek metylenu.
- Te substancje niszczą wąż.

### 2.4 Praca ze zbiornikami ciśnieniowymi

- Użytkownicy zbiorników ciśnieniowych zobowiązani są do zapewnienia ich odpowiedniego stanu technicznego, przestrzegania zasad pracy z tymi zbiornikami, przeprowadzania ich kontroli, konserwacji i napraw oraz zachowania odpowiednich środków bezpieczeństwa.
- Organy nadzoru mogą nałożyć obowiązek stosowania odpowiednich środków kontrolnych.
- Zabrania się eksploatacji zbiornika ciśnieniowego, jeżeli jest on wadliwy lub uszkodzony i może być przyczyną zagrożeń dla pracowników lub osób trzecich.
- Przed każdym użyciem sprawdzić, czy zbiornik nie jest uszkodzony i nie ma śladów rdzy. Eksploatacja uszkodzonego lub zardzewiałego zbiornika ciśnieniowego jest surowo wzbroniona! Jeżeli stwierdzono uszkodzenia zbiornika, prosimy się zwrócić do warsztatu serwisowego producenta.

### Proszę zachować wskazówki bezpieczeństwa.

### 3. Opis urządzenia i zakres dostawy

#### 3.1 Opis urządzenia

1. Uchwyt transportowy
2. Wyłącznik ciśnieniowy
3. Zawór regulacyjny ciśnienia
4. Szybkozłączka (wyregulowane sprężone powietrze)
5. Manometr (możliwość odczytania ustawionego ciśnienia)
6. Manometr (możliwość odczytania ciśnienia zbiornika)
7. Zbiornik ciśnieniowy
8. Stopka
9. Śruba spustowa skondensowanej wody
10. Śruba osi
11. Koło
12. Zawór zwrotny z przewodem ciśnieniowym
13. Pompa kompresora
14. Obudowa
15. Filtr powietrza
16. Korek zbiornika oleju z miernikiem poziomu oleju
17. Włącznik/ Wyłącznik
18. Korek spustowy oleju
19. Zawór bezpieczeństwa
20. Szybkozłączka (niewyregulowane sprężone powietrze)
21. Otwór wlewu oleju
22. Podkładka
23. Pierścień sprężysty
24. Nakrętka
25. Śruba
26. Podkładka
27. Podkładka
28. Nakrętka
29. Kołpak

#### 3.2 Zakres dostawy

- Otworzyć opakowanie i ostrożnie wyciągnąć urządzenie.
- Zdjąć opakowanie oraz zabezpieczenia do transportu (jeśli jest).
- Sprawdzić, czy dostawa jest kompletna.
- Sprawdzić, czy urządzenie i wyposażenie dodatkowe nie zostały uszkodzone w transporcie.
- W razie możliwości zachować opakowanie, aż do upływu czasu gwarancji.

#### Uwaga!

**Urządzenie i opakowanie nie są zabawkami! Dzieci nie mogą bawić się częściami z tworzywa sztucznego, folią i małymi elementami! Niebezpieczeństwo połknięcia i uduszenia się!**

### 4. Zastosowanie zgodne z przeznaczeniem

Kompresor przeznaczony jest do produkcji sprężonego powietrza do urządzeń pneumatycznych, które wymagają strumienia powietrza do ok. 360 l/min (np. kompresorów do pompowania opon, pistoletów na sprężone powietrze oraz pistoletów lakierniczych). Urządzenia pneumatyczne o bardzo wysokim zużyciu sprężonego powietrza mogą tylko w ograniczonym zakresie być stosowane z tym kompresorem. W przypadku urządzeń o wysokim zużyciu powietrza (np. szlifierki oscylacyjne, szlifierki proste i klucze udarowe) należy sprawdzić, czy ilość sprężonego powietrza kompresora jest wystarczająca do pracy z tymi urządzeniami. Ilość sprężonego powietrza tłoczona przez kompresor musi być wyższa niż zużycie powietrza przez urządzenie pneumatyczne przy pracy z ciśnieniem roboczym.

Urządzenie używać tylko zgodnie z jego przeznaczeniem. Każde użycie, odbiegające od opisanego w niniejszej instrukcji jest niezgodne z przeznaczeniem. Za wynikające stąd szkody lub obrażenia odpowiedzialność ponosi użytkownik/właściciel, a nie producent.

Prosimy pamiętać o tym, że nasze urządzenia nie są przeznaczone do zastosowania profesjonalnego, rzemieślniczego lub przemysłowego. Nie przejmujemy odpowiedzialności w razie stosowania urządzenia w zakładach rzemieślniczych, przemysłowych lub do podobnych działalności.

## 5. Dane techniczne

Podłączenie do sieci: ..... 230 V ~ 50 Hz  
 Moc silnika w kW: ..... S1 2400 W  
 ..... S2 30 min 2600 W  
 Liczba obrotów kompresora min<sup>-1</sup>: ..... 2850  
 Ciśnienie robocze w barach: ..... maks. 8  
 Pojemność zbiornika ciśnieniowego (w litrach): ...  
 50  
 Teor. moc ssania w l/min: ..... ok. 360  
 Efektywna wydajność przy  
 ciśnieniu 7 bar ..... ok. 170 l/min  
 Poziom mocy akustycznej L<sub>WA</sub> w dB: ..... 96  
 Współczynnik niepewności K<sub>WA</sub>: ..... 2 dB  
 Poziom ciśnienia akustycznego L<sub>PA</sub> w dB: ..... 74  
 Współczynnik niepewności K<sub>PA</sub>: ..... 2 dB  
 Stopień ochrony: ..... IP20  
 Waga urządzenia w kg: ..... ok. 38,5  
 Olej (15W 40) ..... 0,7 l

### Czas załączenia

Czas załączenia S2 30 min (praca krótkotrwała) mówi o tym, że silnik o mocy znamionowej 2600 W może być obciążony bez przerwy tylko w czasie podanym na tabliczce znamionowej (30 min). W przeciwnym wypadku może dojść do niedopuszczalnego przegrzania silnika. Podczas przerwy w pracy silnik stygnie do temperatury wyjściowej.

Wartości emisji hałasu zostały zmierzone zgodnie z normą ISO 2151: 2008.

## 6. Przed uruchomieniem

Sprawdzić przed podłączeniem maszyny, czy dane na tabliczce znamionowej zgadzają się z wartością napięcia w sieci zasilającej.

- Sprawdzić czy urządzenie nie zostało uszkodzone podczas transportu. Wszelkie uszkodzenia należy niezwłocznie zgłosić firmie przewozowej, która dostarczyła kompresor.
- Kompresor należy ustawić w pobliżu odbiornika.
- Unikać długich przewodów sprężonego powietrza oraz długich przewodów zasilania (przedłużaczy).
- Zasysane powietrze zawsze musi być suche i wolne od pyłu.
- Nie stawiać kompresora w wilgotnym lub mokrym pomieszczeniu.
- Kompresor może być użytkowany wyłącznie w odpowiednich pomieszczeniach (z dobrą wentylacją, o temperaturze otoczenia od +5°C do 40°C). W pomieszczeniu, w którym użytkowane jest urządzenie, nie mogą się znajdować żadne pyły, kwasy, opary ani wybuchowe lub łatwopalne gazy.
- Kompresor przeznaczony jest do użytku w suchych pomieszczeniach. Nie zezwala się na używanie urządzenia tam, gdzie podczas pracy możliwy jest kontakt z pryskającą wodą.
- Przed uruchomieniem sprawdzić poziom oleju w pompie kompresora (patrz punkt 9.4).

## 7. Montaż i uruchomienie

### ⚠ Uwaga!

**Przed uruchomieniem urządzenie musi zostać całkowicie zmontowane!**

Do montażu potrzebne są następujące elementy:

- Klucz płaski, 13 mm, 1 szt. (nie wchodzi w zakres dostawy)
- Klucz płaski, 16 mm, 2 szt. (nie wchodzi w zakres dostawy)

### 7.1 Montaż kół (11)

Zamontować dostarczone wraz z urządzeniem koła tak jak pokazano na rys. 5.

### 7.2 Montaż stopiek (8)

Zamontować dostarczone wraz z urządzeniem stopki tak jak pokazano na rys. 6.

### 7.3 Montaż filtrów powietrza (15)

Usunąć zatyczki (B) i mocno przykręcić filtry powietrza (15) do urządzenia (rys. 7, 8). Otwór ssący na filtry powietrza powinien być skierowany w dół!

### 7.4 Wymiana osłony transportowej (A)

Usunąć osłonę transportową z otworu wlewu oleju (21) i w otwór wlewu włożyć załączony korek zbiornika oleju (16) (rys. 9, 10).

### 7.5 Podłączenie do sieci

- Przed pierwszym użyciem zwrócić uwagę na to, czy napięcie sieci zgadza się z napięciem roboczym podanym na tabliczce znamionowej urządzenia.
- Długie przewody zasilające jak również przedłużacze, kable bębnowe itd. powodują spadek napięcia i mogą uszkodzić rozruch silnika.
- Przy niskich temperaturach (poniżej +5°C) opór mechaniczny utrudnia rozruch silnika.

### 7.6 Włącznik/wyłącznik (rys. 2)

W celu włączenia kompresora pociągnąć włącznik/wyłącznik (17) do góry. W celu wyłączenia kompresora nacisnąć włącznik/wyłącznik w dół.

### 7.7 Regulacja ciśnienia: (Rys. 1-3)

- Ciśnienie regulowane jest za pomocą zaworu regulacyjnego ciśnienia (3) na manometrze (5).
- Regulacja ciśnienia następuje przez przekręcanie uchwytu zaworu regulacyjnego ciśnienia.
- Ustawione w ten sposób ciśnienie odbierane jest na szybkozłączce (4).
- Na manometrze (6) wskazywane jest ciśnienie zbiornika sprężonego powietrza.
- To ciśnienie odbierane jest na szybkozłączce (20).

### 7.8 Regulacja zaworu regulacyjnego ciśnienia (rys. 1)

Wyłącznik ciśnieniowy (2) jest fabrycznie ustawiony.

Ciśnienie włączenia ok. 6 bar

Ciśnienie wyłączenia ok. 8 bar

### 7.9 Zabezpieczenie przeciążeniowe (rys. 3)

Silnik urządzenia chroniony jest przez wyłącznik przeciążeniowy (G) przed przeciążeniem. W przypadku przekroczenia wartości prądu znamionowego wyłącznik przeciążeniowy (G) wyłącza urządzenie. Po krótkim schłodzeniu urządzenia może zostać ponownie włączone przez wciśnięcie wyłącznika przeciążeniowego (G).

## 8. Wymiana przewodu zasilającego

W razie uszkodzenia przewodu zasilającego, przewód musi być wymieniony przez autoryzowany serwis lub osobę posiadającą podobne kwalifikacje, aby uniknąć niebezpieczeństwa.

## 9. Czyszczenie, konserwacja, przechowywanie, transport i zamawianie części zamiennych

### ⚠ Uwaga!

**Przed wszystkimi pracami związanymi z czyszczeniem i konserwacją wyciągnąć wtyczkę z gniazdka! Niebezpieczeństwo porażenia prądem!**

### ⚠ Uwaga!

**Odczekać aż urządzenie całkowicie ostygnie! Niebezpieczeństwo oparzenia!**

### ⚠ Uwaga!

**Przed rozpoczęciem czyszczenia lub konserwacji urządzenia całkowicie spuścić z niego ciśnienie (patrz punkt 9.7.1)! Niebezpieczeństwo obrażeń!**

### 9.1 Czyszczenie

- Urządzenie powinno być w miarę możliwości wolne od pyłu i zanieczyszczeń. Urządzenie wytrzeć czystą ściereczką lub przedmuchać sprężonym powietrzem o niskim ciśnieniu.
- Zaleca się czyszczenie urządzenia bezpośrednio po każdorazowym użyciu.
- Urządzenie czyścić regularnie wilgotną ściereczką z niewielką ilością szarego mydła. Nie używać żadnych środków czyszczących ani rozpuszczalników; mogą one uszkodzić części urządzenia wykonane z tworzywa sztucznego. Należy uważać, aby do wnętrza urządzenia nie dostała się woda.

- Przed rozpoczęciem czyszczenia odłączyć od kompresora wąż i narzędzia pneumatyczne. Do czyszczenia kompresora nie używać wody, rozpuszczalników itp.

### 9.2 Konserwacja zbiornika ciśnieniowego (rys. 1)

**Uwaga!** W celu zapewnienia długiego okresu użytkowania zbiornika ciśnieniowego (7) po każdym użyciu należy odkręcić śrubę (9), aby spuścić skondensowaną wodę. Przedtem należy spuścić ciśnienie ze zbiornika sprężonego powietrza (patrz punkt 9.7.1). W celu otworzenia śruby spustowej należy przekręcić ją w kierunku przeciwnym do ruchu wskazówek zegara (patrząc od dołu kompresora na śrubę), aby cała skondensowana woda mogła spłynąć ze zbiornika. Następnie zamknąć z powrotem śrubę spustową przekręcając ją w kierunku ruchu wskazówek zegara. Przed każdym użyciem sprawdzić, czy zbiornik nie jest uszkodzony i nie ma śladów rdzy. Eksploatacja uszkodzonego lub zardzewiałego zbiornika ciśnieniowego jest surowo wzbroniona! Jeżeli stwierdzono uszkodzenia zbiornika, prosimy się zwrócić do warsztatu serwisowego producenta.

### ⚠ Uwaga!

**Skondensowana woda nagromadzona w zbiorniku ciśnieniowym jest zanieczyszczona olejem. Odpowiednio utylizować skropliny oddając je do odpowiedniego punktu zbiórki odpadów.**

### 9.3 Zawór bezpieczeństwa (rys. 2)

Zawór bezpieczeństwa (19) ustawiony jest na najwyższe dopuszczalne ciśnienie zbiornika ciśnieniowego. Niedopuszczalne jest regulowanie zaworu bezpieczeństwa lub usunięcie jego plomby. Aby zawór bezpieczeństwa funkcjonował poprawnie, powinien zostać od czasu do czasu uruchomiony. Pociągnąć tak mocno za pierścień, aż będzie słychać, że sprężone powietrze jest wydmuchiwane. Następnie puścić pierścień.

#### 9.4 Regularnie sprawdzać poziom oleju (rys. 11)

Postawić kompresor na równej, poziomej powierzchni. Poziom oleju na mierniku (16) musi się znajdować między MAX i MIN. Wymiana oleju: Zalecany olej: SAE 15W 40 lub porównywalnej jakości. Pierwszy olej musi zostać wymieniony po 100 godzinach pracy. Następnie co 300 godzin pracy olej należy spuszczać i wymieniać na nowy.

#### 9.5 Wymiana oleju (rys. 1, 10, 11)

Wyłączyć silnik i wyjąć wtyczkę z gniazdka. Po spuszczeniu resztek sprężonego powietrza (patrz punkt 9.7.1) można odkręcić korek spustowy oleju (18) na pompie kompresora (13). Aby olej nie wypływał w sposób niekontrolowany, trzymać pod spodem blaszaną rynienkę i zebrać olej do zbiornika. Aby olej wylał się całkowicie, zalecamy lekko pochylić kompresor. Po spuszczeniu oleju wkręcić z powrotem korek spustowy oleju (18).

#### Zużyty olej należy oddać do przeznaczonego do tego celu punktu zbiórki odpadów.

Aby wlać odpowiednią ilość oleju kompresor powinien stać na poziomej powierzchni. Wlać nowy olej przez otwór wlewu oleju (21) aż zostanie osiągnięty maksymalny poziom oleju. Włożyć miernik poziomu oleju i sprawdzić poziom oleju. Nie wlewać oleju powyżej maksymalnego poziomu! Nadmiar oleju może być przyczyną uszkodzeń urządzenia. W otwór wlewu oleju (21) włożyć zatyczony korek zbiornika oleju (16).

#### 9.6 Czyszczenie filtra zasysanego powietrza (rys. 2, 3, 12)

Filtry zasysanego powietrza (15) zapobiegają zasysaniu kurzu i innych zanieczyszczeń. Konieczne jest czyszczenie filtrów co najmniej co 300 godzin pracy. Zapchany filtr znacznie obniża wydajność kompresora.

Usunąć filtry zasysanego powietrza (wykręcić je z urządzenia). Obudowa filtra (D) nasadzona jest na pokrywie filtra (C). Naciskając lekko na pokrywę filtra można zdjąć obudowę. Ostrożnie wytrząść filtry powietrza (F) oraz pokrywę i obudowę filtra. Następnie przedmuchać te ele-

menty sprężonym powietrzem (o ciśnieniu ok. 3 bar) i zamontować wykonując czynności w odwrotnej kolejności.

Pokrywa filtra i obudowa filtra mają różne pozycje blokowania. Podczas montowania filtra zasysającego należy pamiętać o tym, że otwór ssący musi być skierowany w dół.

#### 9.7 Przechowywanie

##### ⚠ Uwaga!

**Wyciągnąć wtyczkę z gniazdka, spuścić sprężone powietrze z urządzenia i podłączonych narzędzi pneumatycznych (patrz punkt 9.7.1). Kompresor powinien być przechowywany w taki sposób, aby nie mógł zostać uruchomiony przez osoby nieupoważnione.**

##### ⚠ Uwaga!

**Kompresor przechowywać w suchym i niedostępnym dla nieupoważnionych osób miejscu. Nie przechylać urządzenia, urządzenie przechowywać w pozycji stojącej! Niebezpieczeństwo wylania się oleju!**

#### 9.7.1 Spuszczanie nadmiaru ciśnienia

W celu spuszczenia nadmiaru ciśnienia wyłączyć kompresor i zużyć nagromadzone w zbiorniku ciśnieniowym sprężone powietrze, np. przy użyciu narzędzia pneumatycznego na biegu jałowym lub pistoletu na sprężone powietrze.

#### 9.8 Zamawianie części wymiennych:

Podczas zamawiania części zamiennych należy podać następujące dane:

- Typ urządzenia
- Numer artykułu urządzenia
- Numer identyfikacyjny urządzenia

Aktualne ceny artykułów i informacje znajdują się na stronie: [www.isc-gmbh.info](http://www.isc-gmbh.info)

### 9.9 Transport (rys. 1)

- Przed przemieszczaniem lub podnoszeniem kompresora należy go wyłączyć i wyciągnąć wtyczkę z gniazdka.
- Podczas przemieszczenia kompresora na kołach należy używać uchwytu transportowego (1).
- Podczas podnoszenia kompresora należy używać uchwytu transportowego (1) na zbiorniku ciśnieniowym (7). Uwaga! Wysoki ciężar urządzenia!
- Podczas transportu, aby zapobiec wyciekaniu oleju, kompresor powinien się zawsze znajdować w pionowej pozycji i być zabezpieczonym przed przechyleniem bądź przewróceniem.
- W przypadku transportu w pojazdach mechanicznych zabezpieczyć kompresor zgodnie z obowiązującymi przepisami.



Tylko dla krajów Unii Europejskiej

Nie wyrzucać elektronarzędzi do śmieci!

Według europejskiej dyrektywy 2002/96/EG o starych urządzeniach elektrycznych i elektronicznych oraz włączenia ich do prawa krajowego, zużyte elektronarzędzia należy zbierać oddzielnie i oddawać do punktu zbiórki surowców wtórnych.

Alternatywa recyklingu wobec obowiązku zwrotu urządzenia:

Właściciel elektronarzędzi w przypadku przekazania własności, jest zobowiązany, zamiast odesłania, do współudziału we właściwym przetworzeniu. Stare urządzenie może być dostarczone do punktu zbiorczego, który przeprowadza eliminację w myśl krajowego obiegu gospodarczego i ustawy o odpadach. Nie dotyczy to osprzętu i środków pomocniczych załączonych do starego urządzenia, które nie mają części elektrycznych.

## 10. Usuwanie odpadów i recycling

Aby zapobiec uszkodzeniom podczas transportu urządzenie znajduje się w opakowaniu. Opakowanie to jest surowcem, który można użytkować ponownie lub można przeznaczyć do powtórnego przerobu. Urządzenie oraz jego osprzęt składają się z różnych rodzajów materiałów, jak np. metal i tworzywa sztuczne. Uszkodzone elementy urządzenia proszę dostarczyć do punktu zbiorczego surowców wtórnych. Proszę poprosić o informację w sklepie specjalistycznym bądź w placówce samorządu lokalnego!

## 11. Możliwe przyczyny usterek

Problem	Przyczyna	Rozwiązanie
Kompresor nie pracuje.	<ol style="list-style-type: none"> <li>1. Brak napięcia sieciowego</li> <li>2. Za niskie napięcie sieciowe.</li> <li>3. Za niska temperatura zewnętrzna.</li> <li>4. Przegrzany silnik</li> </ol>	<ol style="list-style-type: none"> <li>1. Sprawdzić kabel, wtyczkę zasilania, bezpiecznik oraz gniazdko.</li> <li>2. Unikać zbyt długich przedłużaczy. Stosować wyłącznie przedłużacze o odpowiednim przekroju.</li> <li>3. Nie stosować urządzenia w temperaturze poniżej +5° C.</li> <li>4. Odczekać aż silnik ostygnie i, o ile to możliwe, usunąć przyczynę przegrzania.</li> </ol>
Kompresor pracuje, ale nie wytwarza ciśnienia.	<ol style="list-style-type: none"> <li>1. Nieszczelny zawór zwrotny</li> <li>2. Uszkodzone uszczelki.</li> <li>3. Nieszczelna śruba spustowa skondensowanej wody (9).</li> </ol>	<ol style="list-style-type: none"> <li>1. Wymienić zawór zwrotny.</li> <li>2. Sprawdzić uszczelki. Zlecić specjalistycznemu zakładowi wymianę uszkodzonych uszczeltek.</li> <li>3. Ręcznie dokręcić śrubę. Sprawdzić uszczelkę na śrubie, w razie potrzeby wymienić.</li> </ol>
Kompresor pracuje, manometry wskazują ciśnienie, ale narzędzia pneumatyczne nie działają.	<ol style="list-style-type: none"> <li>1. Nieszczelne łącza węży.</li> <li>2. Nieszczelna szybkozłączka (4, 20).</li> <li>3. Ustawiono za niskie ciśnienie na zaworze regulacyjnym (3).</li> </ol>	<ol style="list-style-type: none"> <li>1. Sprawdzić węży i narzędzia, w razie potrzeby wymienić.</li> <li>2. Sprawdzić szybkozłączkę, w razie potrzeby wymienić.</li> <li>3. Mocniej odkręcić zawór regulacyjny.</li> </ol>



## 12. Deklaracja zgodności z normami

Einhell Germany AG · Wiesenweg 22 · D-94405 Landau/Isar		CE	
Konformitätserklärung			
<b>D</b>	erklärt folgende Konformität gemäß EU-Richtlinie und Normen für Artikel	<b>PL</b>	deklaruje zgodność wymienionego poniżej artykułu z następującymi normami na podstawie dyrektywy WE.
<b>GB</b>	explains the following conformity according to EU directives and norms for the following product	<b>BG</b>	декларира съответното съответствие съгласно Директива на ЕС и норми за артикул
<b>F</b>	déclare la conformité suivante selon la directive CE et les normes concernant l'article	<b>LV</b>	paskaidro šādu atbilstību ES direktīvai un standartiem
<b>I</b>	dichiara la seguente conformità secondo la direttiva UE e le norme per l'articolo	<b>LT</b>	apibūdina šį atitikimą EU reikalavimams ir prekės normoms
<b>NL</b>	verklaart de volgende overeenstemming conform EU richtlijn en normen voor het product	<b>RO</b>	declară următoarea conformitate conform directivei UE și normelor pentru articolul
<b>E</b>	declara la siguiente conformidad a tenor de la directiva y normas de la UE para el artículo	<b>GR</b>	δηλώνει την ακόλουθη συμμόρφωση σύμφωνα με την Οδηγία ΕΚ και τα πρότυπα για το προϊόν
<b>P</b>	declara a seguinte conformidade, de acordo com a directiva CE e normas para o artigo	<b>HR</b>	potvrđuje sljedeću usklađenost prema smjernicama EU i normama za artikl
<b>DK</b>	attesterer følgende overensstemmelse i medfør af EU-direktiv samt standarder for artikel	<b>HR</b>	izjava o sukladnosti za ovaj proizvod dostupna je na internet stranici www.lidl.hr.
<b>S</b>	förklarar följande överensstämmelse enl. EU-direktiv och standarder för artikeln	<b>BIH</b>	potvrđuje sljedeću usklađenost prema smjernicama EU i normama za artikl
<b>FIN</b>	vakuuttaa, että tuote täyttää EU-direktiivin ja standardien vaatimukset	<b>RS</b>	potvrđuje sledeću usklađenost prema smernicama EZ i normama za artikal
<b>EE</b>	tõendab toote vastavust EL direktiivile ja standarditele	<b>RUS</b>	следующим удостоверяется, что следующие продукты соответствуют директивам и нормам ЕС
<b>CZ</b>	vydává následující prohlášení o shodě podle směrnice EU a norem pro výrobek	<b>UKR</b>	проголошує про зазначену нижче відповідність виробу директивам та стандартам ЄС на виріб
<b>SLO</b>	potvrjuje sledečo skladnost s smernico EU in standardi za izdelek	<b>MK</b>	ја изјавува следната сообразност согласно ЕУ-директивата и нормите за артикли
<b>SK</b>	vydává nasledujúce prehlásenie o zhode podľa smernice EÚ a noriem pre výrobok	<b>TR</b>	Ürünü ile ilgili AB direktifleri ve normları gereğince aşağıda açıklanan uygunluğu belirtir
<b>H</b>	a cikkekhez az EU-irányvonal és Normák szerint a következő konformitást jelenti ki	<b>N</b>	erklærer følgende samsvar i henhold til EU-direktivet og standarder for artikkel
		<b>IS</b>	Lýsir uppfyllingu EU-reglna og annarra staðla vöru
<b>Kompressor PKO 400 B2 (Parkside)</b>			
<input checked="" type="checkbox"/> 87/404/EC_2009/105/EC	<input checked="" type="checkbox"/> 2006/42/EC		
<input type="checkbox"/> 2005/32/EC_2009/125/EC	<input type="checkbox"/> Annex IV	Notified Body: Notified Body No.: Reg. No.:	
<input type="checkbox"/> 2006/95/EC	<input type="checkbox"/> 2000/14/EC_2005/88/EC		
<input type="checkbox"/> 2006/28/EC	<input type="checkbox"/> Annex V		
<input checked="" type="checkbox"/> 2004/108/EC	<input type="checkbox"/> Annex VI	Noise measured: L <sub>WA</sub> = dB (A); guaranteed L <sub>WA</sub> = dB (A)	
<input type="checkbox"/> 2004/22/EC		P = KW; L/D = cm	
<input type="checkbox"/> 1999/5/EC		Notified Body:	
<input checked="" type="checkbox"/> 97/23/EC	<input type="checkbox"/> 2004/26/EC	Emission No.:	
<input type="checkbox"/> 90/396/EC_2009/142/EC			
<input type="checkbox"/> 89/686/EC_96/58/EC			
<input checked="" type="checkbox"/> 2011/65/EC			
<b>Standard references: EN 1012-1; EN 60204-1; EN 55014-1; EN 55014-2; EN 61000-3-2; EN 61000-3-11</b>			
Landau/Isar, den 25.03.2013	 Weichselgartner/General-Manager	 Yu Feng Qing/Product-Management	
<b>First CE: 13</b>	<b>Art.-No.:</b> 40.101.64 <b>I.-No.:</b> 11013	<b>Archive-File/Record:</b> NAPR007418	
<b>Subject to change without notice</b>		<b>Documents registrar:</b> Siegfried Roider Wiesenweg 22, D-94405 Landau/Isar	

### 13. Warunki gwarancji

Informujemy, że urządzenie objęte jest gwarancją w Einhell Polska przez 36 miesięcy od daty zakupu przez użytkownika. Gwarancja realizowana jest na podstawie dokumentu zakupu tj. paragonu lub faktury vat.

Jeżeli w powyższych zapisach mowa jest o dowodach zakupu – paragonach i fakturach, to dotyczy to wyłącznie dowodów sprzedaży wystawionych na terytorium RP.

Informacje ogólne:

1. Roszczenie z tytułu gwarancji rozpatrywane jest w serwisie firmy Einhell Polska Sp. z o.o., pod adresem ul. Wymysłowskiego 1, 55-080 Nowa Wieś Wroclawska.
2. O uznaniu roszczenia reklamacyjnego i o sposobie jego rozpatrzenia decyduje wyłącznie gwarant; roszczenie może być zrealizowane poprzez:
  1. naprawę urządzenia
  2. wymianę na urządzenie o tych samych parametrach technicznych lub lepszych
3. Odpowiedzialność gwaranta jest ograniczona do obowiązku usunięcia wady uszkodzonego urządzenia.

W przypadku wymiany urządzenia na nowe, okres gwarancji biegnie na nowo od chwili dostarczenia rzeczy wolnej od wad.

**Roszczenie objęte gwarancją dotyczy** wad powstałych z przyczyny tkwiącej w sprzedanym urządzeniu, które ujawniły się w czasie zgodnego z przeznaczeniem użytkowania.

#### Termin i sposób realizacji gwarancji:

1. Rozpatrzenie reklamacji i wykonanie obowiązków z tytułu gwarancji zostanie wykonane niezwłocznie, najpóźniej w ciągu 14 dni roboczych od daty odbioru urządzenia przez serwis.
2. Uszkodzone urządzenie należy przysłać lub osobiście dostarczyć do serwisu firmy Einhell Polska Sp. z o.o., na adres: ul. Wymysłowskiego 1, 55-080 Nowa Wieś Wroclawska w opakowaniu fabrycznym lub zastępczym zabezpieczającym towar przed uszkodzeniem wraz z akcesoriami i wyposażeniem standardowym, czyste, z czytelną tabliczką znamionową, zgłoszeniem reklamacyjnym wypełnionym i podpisanym przez reklamującego oraz danymi adresowymi, numerem telefonu i adresem mailowym osoby uprawnionej z gwarancji oraz dokumentem potwierdzającym zakup tj. paragon lub faktura vat.
3. Kontakt do firmy kurierskiej Schenker, za pośrednictwem której należy odesłać urządzenie do serwisu znajduje się na stronie <http://www.logistics.dbschenker.pl/log-pl-pl/start/kontakt/>
4. Termin naprawy może ulec przedłużeniu o czas dostawy części zamiennych, w przypadku gdy serwis zamawia je u producenta.
5. Reklamujący znając numer listu przewozowego oraz za pośrednictwem strony [www.einhell.pl](http://www.einhell.pl) może śledzić aktualny status reklamacji na każdym etapie rozpatrywania reklamacji. W razie pytań prosimy o kontakt z serwisem: [maciej.mielnikiewicz@einhell.pl](mailto:maciej.mielnikiewicz@einhell.pl) · 071/3603077 · 071/3603085 · fax: 071/3603066
6. Termin gwarancji ulega przedłużeniu o czas, w ciągu którego, wskutek wady rzeczy objętej gwarancją, uprawniony z gwarancji nie mógł z niej korzystać.

#### Roszczenie gwarancyjne nie obejmuje:

##### 1. Uszkodzeń:

1. wynikających z niewłaściwego użytkowania urządzenia, braku odpowiedniej konserwacji i czyszczenia konserwacji lub przechowywania w nieodpowiednich warunkach;
2. mechanicznych;
3. wynikających z eksploatacji urządzenia w sposób sprzeczny z zaleceniami producenta;

4. wynikających z eksploatacji urządzenia w sposób sprzeczny z udzielonymi pisemnie przez gwaranta wskazówkami;
5. wynikających z dokonania przez osobę uprawnioną z gwarancji lub osobę trzecią nieupoważnioną przez gwaranta jakichkolwiek zmian w urządzeniu, chyba że gwarant wyraził na to zgodę w formie pisemnej.

## **2. Czynności:**

1. polegających na regulacji sprawnego towaru, a w przypadku przestania takiego urządzenia do serwisu, gwarant ma prawo obciążyć konsumenta/użytkownika kosztami regulacji oraz przesyłki urządzenia;
2. które zgodnie z instrukcją obsługi, uprawniony z gwarancji zobowiązany jest wykonać we własnym zakresie i na własny koszt.

### **Roszczenie gwarancyjne zostaje wykluczone w przypadku stwierdzenia:**

1. Braku dowodu zakupu wystawionego na terytorium RP.
2. Eksploatacji urządzenia w sposób prowadzący do jego ponadnormatywnego zużycia lub użycia niezgodnego z przeznaczeniem (np. urządzeń dla majsterkowiczów w sposób profesjonalny i/lub zarobkowy).
3. Zniszczenia lub zabrudzenia tabliczki znamionowej uniemożliwiającej identyfikację urządzenia.
4. Ingerencji w urządzenie przez uprawnionego z gwarancji lub osoby trzeciej.
5. Niewłaściwej konserwacji i/lub przechowywania urządzenia bez zachowania zaleceń określonych w instrukcji.
6. Samodzielnych napraw i/lub wymian podzespołów.
7. Uszkodzenia mechanicznego lub uszkodzenia będącego następstwem działania środków chemicznych.
8. Uszkodzenia w transporcie spowodowanego niewłaściwym opakowaniem lub jego brakiem.
9. Braku kompletnego, wypełnionego i podpisanego zgłoszenia reklamacyjnego, zawierającego wszystkie wymagane informacje zawarte w formularzu zgłoszenia

W przypadku nieuwzględnienia roszczenia gwarancyjnego, gwarant zastrzega sobie prawo odesłania do osoby uprawnionej z gwarancji urządzenia na jego koszt. Informacja o nieuwzględnieniu roszczenia gwarancyjnego zostanie wysłana na wskazany adres mailowy oraz umieszczona na stronie internetowej Serwisu. Wysyłka na koszt osoby uprawnionej zostanie dokonana po potwierdzeniu w formie pisemnej przez niniejszą osobę, chęci odebrania urządzenia od spedytora i poniesienia kosztów przesyłki. W innych przypadkach odbiór będzie w siedzibie serwisu Einhell Polska.

W razie nieodebrania przesyłki przez osobę uprawnioną z gwarancji oraz braku jakiegokolwiek innej przewidzianej w warunkach gwarancji reakcji (telefon lub Email do Serwisu Einhell) firma Einhell Polska Sp. z o.o. po 30 dniach od dnia powrotu lub niepotwierdzenia w tym czasie chęci do poniesienia kosztów przesyłki, dokona komisyjnej kasacji urządzenia. Uprawniony z gwarancji zrzeka się wszelkich roszczeń z tego tytułu.

W razie zgłoszenia reklamacji i stwierdzenia przez gwaranta, że dana naprawa nie jest objęta gwarancją, naprawa taka zostanie dokonana, o ile będzie możliwa, za odrębnym wynagrodzeniem oraz pisemną zgodą osoby uprawnionej z gwarancji. Przypadki, w których naprawa nie jest objęta gwarancją wyszczególniono powyżej.

IAN 89566



RO

## Cuprins

1. Introducere .....	62
2. Indicații de siguranță .....	62
3. Descrierea aparatului și cuprinsul livrării .....	64
4. Utilizarea conform scopului .....	65
5. Date tehnice .....	65
6. Înaintea punerii în funcțiune .....	66
7. Montarea și punerea în funcțiune .....	66
8. Schimbarea cablului de racord la rețea .....	67
9. Curățarea, întreținerea, depozitarea, comanda pieselor de schimb și transportul.....	67
10. Eliminare și reciclare .....	69
11. Cauze de oprire posibile .....	71
12. Declarație de conformitate.....	72
13. Certificat de garanție .....	73

Retipărirea sau orice altă multiplicare a documentației și documentelor însoțitoare ale produselor, chiar și parțial, este permisă numai cu acordul în mod expres a firmei iSC GmbH.

Ne rezervăm dreptul pentru modificări de ordin tehnic



Avertisment – Citiți manualul de utilizare pentru a reduce riscul producerii unui accident



**Purtați protecție antifonică.** Expunerea la zgomot poate provoca pierderea auzului.



**Avertizare privind tensiunea electrică**



**Avertizare privind părți componente fierbinți**



**Avertisment! Unitatea este comandată la distanță și poate porni fără avertisment**



**Atenție!** Înainte de prima punere în funcțiune verificați nivelul uleiului și schimbați dopul de închidere pentru ulei!



**Atenție!** Nu deschideți robinetul/regulatorul presiune înainte de a racorda furtunul de aer.



**OFF**



**ON**

Înteruptorul de suprasarcină declanșează în caz de suprasolicitare pentru a evita deteriorări ale aparatului. După răcire apăsați tasta, pentru a pune din nou în funcțiune aparatul.

## 1. Introducere

Vă felicităm pentru cumpărarea acestui nou aparat.

V-ați decis astfel pentru un produs de înaltă calitate. Instrucțiunile de folosire sunt parte componentă a acestui produs. Ele conțin indicații importante privind siguranța, utilizarea și salubritatea. Înainte de utilizarea produsului familiarizați-vă cu toate instrucțiunile de utilizare și indicațiile de siguranță. Utilizați produsul numai așa cum este descris și numai în domeniile de utilizare indicate. În cazul în care predați aparatul la terți, înmânați vă rugăm și aceste instrucțiuni de folosire / indicații de siguranță.

## 2. Indicații de siguranță

### ⚠ Avertisment!

#### Citiți indicațiile de siguranță și îndrumările.

Nerespectarea indicațiilor de siguranță și a îndrumărilor poate avea ca urmare electrocutare, incendiu și/sau răni grave. **Păstrați pentru viitor toate indicațiile de siguranță și îndrumările.**

### 2.1 Indicații de siguranță

⚠ **Atenție! La utilizarea acestui compresor, pentru protecția împotriva electrocutării precum și a pericolului de accidentare și de incendiu trebuie respectate următoarele măsuri de siguranță de bază. Citiți și respectați aceste indicații înainte de a utiliza aparatul.**

- **Mențineți zona de lucru în ordine**  
Dezordinea la locul de muncă poate duce la accidente.
- **Țineți cont de influențele mediului**  
Nu expuneți compresorul la ploaie. Nu utilizați compresorul în mediu umed sau ud. Pericol prin electrocutare! Asigurați iluminarea suficientă. Nu utilizați compresorul în apropierea lichidelor sau gazelor inflamabile. Pericol de explozie!
- **Protejați-vă împotriva electrocutării**  
Evitați contactul corpului cu părțile legate la pământ, de exemplu conducte, corpuri de încălzire, sobe, frigidere.
- **Mențineți copiii la distanță!**  
Nu lăsați alte persoane să atingă compresorul sau cablul, păstrați-le la distanță de zona de lucru.
- **Păstrați compresorul într-un loc sigur**  
Compresorul nefolosit trebuie păstrat într-un loc uscat, închis și inaccesibil copiilor.
- **Nu suprasolicitați compresorul**  
Se lucrează mai bine și mai sigur în zona de randament indicată.
- **Purtați echipament de lucru adecvat**  
Nu purtați îmbrăcăminte largă sau bijuterii. Acestea pot fi prinse de părțile în mișcare. La lucrările efectuate în aer liber se recomandă mănușile de cauciuc și încălțăminte protejată împotriva alunecării. Dacă aveți părul lung, purtați un fileu. Pericol de accidentare!
- **Nu folosiți cablul în alte scopuri decât alimentarea**  
Nu trageți compresorul de cablu și nu utilizați cablul pentru a scoate ștecherul din priză. Protejați cablul contra temperaturilor ridicate, uleiului și muchiilor ascuțite. Cablul/ștecherul ar putea fi deteriorate.
- **Îngrijiți cu atenție compresorul dumneavoastră**  
Păstrați compresorul curat, pentru a putea lucra bine și sigur. Urmați prevederile de întreținere. Controlați regulat ștecherul și cablul și solicitați un specialist pentru a înlocui aceste elemente atunci când sunt deteriorate. Controlați cablul prelungitor în mod periodic și înlocuiți cablurile deteriorate.
- **Scoateți ștecherul din priză**  
în caz de neutilizare, înaintea lucrărilor de întreținere.
- **Evitați pornirea nesupraveheată**  
Asigurați-vă că întrerupătorul este deconectat în momentul racordării la rețeaua electrică.
- **Cablul prelungitor în aer liber**  
În aer liber utilizați numai cabluri prelungitoare aprobate pentru aceasta și marcate în mod corespunzător.

- **Fiți mereu atenți**  
Observați-vă munca. Fiți precauți. Nu utilizați compresorul dacă nu sunteți concentrat.
  - **Controlați compresorul dumneavoastră dacă nu prezintă deteriorări**  
Înainte de a continua utilizarea compresorului verificați cu grijă dispozitivele de protecție sau părțile ușor deteriorate în ceea ce privește funcționarea ireproșabilă și corectă. Verificați dacă funcționarea părților în mișcare se realizează corect, dacă nu se agață sau dacă sunt părți deteriorate. Toate părțile trebuie să fie montate corect pentru a garanta siguranța aparatului. Dispozitivele de siguranță și părțile deteriorate trebuie reparate sau înlocuite de către un atelier autorizat, dacă nu se precizează altfel în instrucțiunile de utilizare. Întrerupătoarele deteriorate trebuie înlocuite la un atelier autorizat. Nu utilizați scule la care întrerupătorul nu poate fi conectat sau deconectat.
  - **Atenție!**  
Pentru siguranța Dvs. utilizați accesorii și aparate suplimentare care sunt indicate în instrucțiunile de folosire sau care sunt recomandate sau precizate de către producător. Utilizarea altor scule de montaj sau accesorii decât cele recomandate în instrucțiunile de folosire sau în catalog poate reprezenta pentru Dvs. un pericol de accidentare.
  - **Reparații efectuate numai de către electrician**  
Reparațiile pot fi efectuate numai de către un electrician, în caz contrar pot rezulta accidente pentru operator.
  - **Zgomotul**  
În cazul utilizării compresorului purtați protecție antifonică.
  - **Schimbarea cablului de racord**  
Atunci când cablul de racord este deteriorat, acesta trebuie schimbat de către producător sau de către un electrician calificat, pentru a evita expunerea la pericole. Pericol prin electrocutare!
  - **Umplerea roților**  
Verificați imediat după umplere presiunea din roți cu un manometru adecvat, de ex. la o stație de benzină.
  - **Compresoarele admise în circulație pentru funcționarea pe șantiere**  
Țineți cont, ca toate furtunurile și armăturile să fie adecvate pentru presiunea de lucru maximă admisă a compresorului.
  - **Locul de amplasare**  
Amplasați compresorul numai pe o suprafață plană.
  - Țineți cont, ca toate furtunurile de aer comprimat și armăturile să fie adecvate pentru funcționarea cu presiunea maximă admisă a compresorului.
  - La presiuni de peste 7 bari se recomandă utilizarea unui furtun cu un cablu de siguranță.
- 2.2 Indicații de siguranță pentru lucrul cu aer comprimat și pistoale de suflare**
- Camera de compresiune și furtunurile pot atinge temperaturi mari în timpul funcționării. Atingerea acestora poate provoca arsuri.
  - Aerul aspirat de compresor trebuie să fie lipsit de impurități, care ar putea provoca incendii sau explozii în camera de compresiune.
  - La decuplarea cuplajului automat, țineți bine cu mâna piesa de cuplare a furtunului. Astfel evitați accidentarea datorită reculului furtunului sub presiune.
  - În timpul lucrului cu pistolul de suflare purtați ochelari de protecție. Prin corpuri străine și piese azvârlite prin suflare pot fi provocate cu ușurință vătămări corporale.
  - Nu suflați cu pistolul de suflare spre alte persoane și nu curățați hainele care le purtați. Pericol de accidentare!

### 2.3 Indicații de siguranță pentru stropirea vopselelor

- Nu prelucrați lacuri sau solvenți cu un punct de inflamare sub 55 °C. Pericol de explozie!
- Nu încălziți lacurile și solvenții. Pericol de explozie!
- În cazul prelucrării de lichide dăunătoare sănătății, sunt necesare filtre de protecție (mască de față). Respectați și indicațiile cu privire la măsuri de protecție ale producătorilor de astfel de substanțe.
- Se vor respecta indicațiile și marcajele ordonanței pentru materiale periculoase de pe ambalajele materialelor de prelucrat. Dacă este necesar, se vor lua măsuri suplimentare de protecție, în special se vor purta haine și măști adecvate.
- În timpul procesului de stropire precum și în încăperea de lucru este interzis fumatul. Pericol de explozie! Și vaporii emanați de vopsele sunt ușor inflamabili.
- Sunt interzise locurile pentru foc sau lumina deschisă, precum și utilizarea mașinilor care produc scântei.
- Nu păstrați și nu consumați alimente și băuturi în spațiul de lucru. Vaporii emanați de vopsele sunt dăunători sănătății.
- Spațiul de lucru trebuie să fie mai mare de 30 m<sup>3</sup> și trebuie asigurată o aerisire suficientă în timpul stropirii și uscării. Nu stropiți contra vântului. La stropirea materialelor inflamabile resp. periculoase, trebuie respectate întotdeauna prevederile poliției locale.
- Nu prelucrați materiale cum ar fi ligroina, alcoolul butilic și clorura de metil folosind furtunul de presiune din PVC.
- Aceste materiale distrug furtunul de presiune.

### 2.4 Exploatarea recipientelor de presiune

- Recipientul de presiune trebuie să fie păstrat într-o stare corespunzătoare de către utilizatorul său, să fie folosit și supravegheat conform reglementărilor; lucrările de întreținere și reparațiile trebuie executate imediat și măsurile de siguranță necesare trebuie luate în funcție de condițiile de lucru.
- În cazuri individuale, măsurile de supraveghere necesare pot fi luate de autoritatea de supraveghere.
- Este interzisă exploatarea unui recipient de presiune dacă prezintă defecțiuni prin care pot fi periclitați angajați sau terți.
- Înainte de fiecare utilizare verificați recipientul de presiune dacă nu prezintă rugină și deteriorări. Este interzisă utilizarea compresorului cu un recipient de presiune deteriorat sau ruginit. În cazul în care constatați deteriorări, vă rugăm să vă adresați unui atelier service pentru clienți.

**Păstrați cu grijă aceste indicații de siguranță.**

## 3. Descrierea aparatului și cuprinsul livrării

### 3.1 Descrierea aparatului

1. Mâner de transport
2. Presostat
3. Regulator de presiune
4. Cuplaj rapid (presiune a aerului comprimat reglată)
5. Manometru (presiunea reglată poate fi citită)
6. Manometru (presiunea din recipient poate fi citită)
7. Recipient sub presiune
8. Picior suport
9. Șurub de scurgere pentru apa de condens
10. Șurub axă
11. Roată
12. Ventil de reținere cu conductă de presiune
13. Cameră de compresie
14. Carcasă
15. Filtru de aer



16. Dop de închidere pentru ulei cu baghetă de măsurare a nivelului uleiului
17. Întrerupător pornit/oprit
18. Şurub de evacuare al uleiului
19. Ventil de siguranţă
20. Cuplaj rapid  
(presiune a aerului comprimat nereglată)
21. Orificiu de introducere al uleiului
22. Şaibă de egalizare
23. Inel Grower
24. Piuliţă
25. Şurub
26. Şaibă de egalizare
27. Şaibă de egalizare
28. Piuliţă
29. Capac roată

### 3.2 Cuprinsul livrării

- Deschideți ambalajul și scoateți aparatul cu grijă.
- Îndepărtați ambalajul, precum și siguranțele de ambalare și de transport (dacă există).
- Verificați dacă livrarea este completă.
- Controlați aparatul și accesoriile dacă nu prezintă pagube de transport.
- Păstrați ambalajul după posibilitate, până la expirarea duratei de garanție.

#### Atenție!

**Aparatul și ambalajul nu sunt jucării pentru copii! Copiii le este interzis să se joace cu punți din material plastic, folii și piese mici! Există pericolul de înghițire și sufocare!**

## 4. Utilizarea conform scopului

Compresorul servește la producerea de aer comprimat pentru sculele cu acționare pneumatică, care pot fi utilizate cu un volum de aer de cca. 360 l/min. (de ex. aparat de încărcat cauciucuri, pistol de suflare și pistol de lăcuit). Scule pneumatice cu consum de aer foarte ridicat pot fi utilizate doar limitat pentru acest compresor. Verificați la aparatele cu consum de aer ridicat (de exemplu mașini de șlefuit cu ax oscilant, șlefuitoare pneumatice axiale, mașini de înșurubat cu percuție)

dacă volumul de aer al compresorului este suficient pentru exploatarea acestor aparate. Volumul de aer transportat de compresor trebuie să fie mai mare decât consumul de aer a sculei pneumatice la presiunea de lucru necesară acesteia.

Mașina se va utiliza numai conform scopului pentru care este concepută. Orice utilizare care depășește acest domeniu este considerată neconformă. Pentru eventualele daune sau accidente de orice tip rezultate ca urmare a utilizării neconforme a aparatului răspunde utilizatorul/operatorul și nu producătorul.

Vă rugăm să țineți de asemenea cont de faptul că aparatele noastre nu sunt construite pentru utilizare în scopuri lucrative, meșteșugărești sau industriale. Noi nu preluăm nici o garanție atunci când aparatul a fost folosit în scopuri meșteșugărești, industriale precum și pentru o activitate similară.

## 5. Date tehnice

Racordul la rețea: ..... 230 V~ 50 Hz  
 Putere motor kW: ..... S1 2400 W  
 ..... S2 30 min 2600 W  
 Turație compresor min<sup>-1</sup>: ..... 2850  
 Presiune de lucru în bari: ..... max. 8  
 Volum recipient de presiune (în litri): ..... 50  
 Capacitate teoretică de sucțiune l/min.: cca. 360  
 Volumul efectiv de aer la 7 bari ... cca. 170 l/min  
 Nivelul puterii sonore L<sub>WA</sub> în dB: ..... 96  
 Nesiguranță K<sub>WA</sub>: ..... 2 dB  
 Nivelul presiunii sonore L<sub>PA</sub> în dB: ..... 74  
 Nesiguranță K<sub>PA</sub>: ..... 2 dB  
 Tip de protecție: ..... IP20  
 Greutate aparat în kg: ..... cca. 38,5  
 Ulei (15W 40) ..... 0,7 l

**Durata de conectare:**

Durata de conectare S2 30 min (funcționare de scurtă durată) înseamnă că motorul poate fi sollicitat la puterea nominală de 2600 W numai pe perioada specificată pe plăcuța indicatoare (30 min). În caz contrar motorul se încălzește exagerat. În timpul pauzei motorul se răcește din nou la temperatura de pornire.

Valorile emisiei sonore au fost măsurate conform EN ISO 2151: 2008.

**6.Înainte de punerea în funcțiune**

Înainte de racordare asigurați-vă că datele de pe plăcuța aparatului corespund cu datele de rețea.

- Verificați aparatul dacă nu prezintă pagube rezultate în timpul transportului. Eventuale pagube trebuie anunțate imediat firmei de transport prin intermediul căreia a fost livrat compresorul.
- Compresorul trebuie amplasat în apropierea consumatorului.
- Se vor evita furtunuri de aer și cabluri de alimentare (cabluri prelungitoare) lungi.
- Aveți grijă ca aerul aspirat să fie uscat și lipsit de praf.
- Nu amplasați compresorul într-un spațiu umed sau ud.
- Utilizarea compresorului este permisă numai în încăperi adecvate (bine aerisite, cu temperatura ambientă între +5°C și 40°C). În încăperi nu trebuie să existe praf, acizi, aburi, gaze explozive sau inflamabile.
- Compresorul este adecvat pentru utilizarea în încăperi uscate. Nu este permisă utilizarea în încăperi în care se lucrează cu apă pulverizată.
- Înainte de punerea în funcțiune trebuie verificat nivelul uleiului în pompa compresorului (vezi 9.4).

**7. Montarea și punerea în funcțiune****Atenție!**

**Înainte de punerea în funcțiune a aparatului, acesta se va monta neapărat complet!**

Pentru montaj aveți nevoie de:

- 1 x cheie fixă de 13 mm (nu este inclusă în cuprinsul livrării)
- 2 x chei fixe de 16 mm (nu sunt incluse în cuprinsul livrării)

**7.1 Montarea roșilor (11)**

Montați roșile alăturate așa cum este arătat în figura 5.

**7.2 Montarea picioarelor (8)**

Montați picioarele suport alăturate așa cum este arătat în figura 6.

**7.3 Montarea filtrelor de aer (15)**

Îndepărtați blocajul folosit pe timpul transportului (B) și fixați filtrul de aer (15) prin înșurubare pe aparat (Fig. 7, 8). Țineți cont, ca deschiderea de aspirație a filtrului de aer să fie îndreptată în jos.

**7.4 Schimbarea capacului de transport (A)**

Îndepărtați capacul de transport de la orificiul de umplere cu ulei (21) și așezați dopul de închidere (16) în orificiul respectiv. (Fig. 9,10)

**7.5 Racordarea la rețeaua electrică**

- Înainte de punerea în funcțiune, asigurați-vă că tensiunea din rețea corespunde cu tensiunea de funcționare indicată pe plăcuța indicatoare a mașinii.
- Cablurile lungi precum și cele prelungitoare, tamburii de cablu etc., duc la scăderea tensiunii și pot împiedica pornirea motorului.
- La temperaturi scăzute sub +5°C pornirea motorului este periclitată de mersul greoi.

### 7.6 Întrerupător pornire/oprire (Fig. 2)

Pentru pornirea compresorului, întrerupătorul pornire/oprire (17) trebuie tras în sus. Pentru oprirea compresorului, întrerupătorul pornire/oprire trebuie apăsat în jos.

### 7.7 Reglarea presiunii: (Fig. 1-3)

- Cu ajutorul regulatorului de presiune (3) se reglează presiunea la manometru (5).
- Pentru reglarea presiunii rotiți de mânerul regulatorului de presiune.
- Presiunea reglată poate fi preluată cu ajutorul cuplajului rapid (4).
- Pe manometru (6) poate fi citită presiunea din recipient.
- Presiunea din recipient este preluată cu ajutorul cuplajului rapid (20).

### 7.8 Reglajul presostatului (Fig. 1)

Presostatul (2) este reglat din fabrică.  
Presiunea de pornire cca. 6 bari  
Presiunea de oprire cca. 8 bari

### 7.9 Protecție suprasarcină (Fig. 3)

Motorul acestui aparat este protejat cu un întrerupător de suprasarcină (G) împotriva suprasolicitației. La depășirea valorii curentului nominal întrerupătorul de suprasarcină (G) deconectează aparatul. După o scurtă pauză de răcire aparatul poate fi pornit din nou prin acționarea întrerupătorului de suprasarcină (G).

## 8. Schimbarea cablului de racord la rețea

În cazul deteriorării cablului de racord la rețea a acestui aparat, pentru a evita pericolele acesta trebuie înlocuit de către producător sau un scvînce clienți sau de o persoană cu calificare similară.

## 9. Curățarea, întreținerea, depozitarea, comanda pieselor de schimb și transportul

### ⚠ Atenție!

**Înainte de toate lucrările de curățare și întreținere scoateți ștecherul din priză! Pericol de accidentare prin șocuri de curent!**

### ⚠ Atenție!

**Așteptați până când aparatul s-a răcit complet! Pericol de ardere!**

### ⚠ Atenție!

**Înainte tuturor lucrărilor de curățare și întreținere aparatul se va scoate de sub presiune (vezi 9.7.1)! Pericol de accidente!**

### 9.1 Curățarea

- Păstrați aparatul lipsit de praf și cât mai curat posibil. Ștergeți aparatul cu o cârpă curată sau curățați-l cu aer comprimat la o presiune mică.
- Recomandăm curățarea aparatului imediat după fiecare utilizare.
- Curățați aparatul cu regularitate cu o cârpă umedă și puțin săpun. Nu folosiți detergenți sau solvenți; aceștia pot ataca părțile din material plastic ale aparatului. Fiți atenți să nu între apă în interiorul aparatului.
- Înainte de curățare, furtunul și uneltele de stropit se vor demonta de pe compresor. Compresorul nu se va curăța cu apă, solvenți sau ceva asemănător.

## 9.2 Întreținerea recipientului de presiune (Fig. 1)

Atenție! Pentru o viață de lungă durată a recipientului de presiune (7) trebuie evacuată apa de condens după fiecare utilizare prin deschiderea șurubului de evacuare (9). Întâi se depresurează recipientul (vezi 9.7.1). Se deschide șurubul de evacuare prin rotirea în sens contrar acelor de ceasornic (șurubul văzut din partea inferioară a compresorului) și se elimină în totalitate apa de condens din recipientul de presiune. Apoi închideți din nou șurubul de evacuare (rotire în sensul acelor de ceasornic). Înainte de fiecare utilizare verificați recipientul de presiune dacă nu prezintă rugină și deteriorări. Este interzisă utilizarea compresorului cu un recipient de presiune deteriorat sau ruginit. În cazul în care constatați deteriorări, vă rugăm să vă adresați unui atelier service pentru clienți.

### ⚠ Atenție!

**Apa de condens din recipientul de presiune conține resturi de ulei. Eliminați apa de condens la un centru de colectare corespunzător, ținând cont de protecția mediului înconjurător.**

## 9.3 Ventil de siguranță (Fig. 2)

Ventilul de siguranță (19) este reglat la presiunea maximă admisibilă a recipientului de presiune. Nu este admisă dereglarea ventilului de siguranță sau îndepărtarea plombei acestuia. Pentru funcționarea corectă a ventilului de siguranță în caz de necesitate, acesta trebuie activat din când în când. Trageți de inel până când se aude eliminarea aerului comprimat. Apoi eliberați din nou inelul.

## 9.4 Verificarea cu regularitate a nivelului uleiului (Fig. 11)

Amplasați compresorul pe o suprafață plană, dreaptă. Nivelul de ulei trebuie să se afle între MAX și MIN a riglei de măsurare a nivelului uleiului (16). Schimbarea uleiului: Ulei recomandat: SAE 15W/40 sau similar. Uleiul din prima umplere trebuie schimbat după 100 de ore de funcționare; după aceea uleiul trebuie evacuat după fiecare 300 de ore de funcționare și pus altul nou în loc.

## 9.5 Schimbarea uleiului (Fig. 1, 10, 11)

Oprii motorul și scoateți ștecherul din priză. După ce ați evacuat eventuala presiune a aerului existentă (9.7.1), puteți să deșurubați șurubul de evacuare al uleiului (18) la camera de presiune (13). Pentru a evita scurgerea necontrolată a uleiului, așezați sub orificiul de evacuare un jgheab de tablă și colectați uleiul într-un recipient. Dacă uleiul nu se scurge în totalitate, vă recomandăm să înclinați un pic compresorul. După scurgerea uleiului puneți șurubul de evacuare al uleiului (18) din nou la loc.

### **Uleiul uzat trebuie eliminat la o stație corespunzătoare de colectare a uleiului uzat.**

Pentru umplerea cantității corespunzătoare de ulei, compresorul trebuie amplasat pe o suprafață plană. Introduceți uleiul nou prin orificiul de umplere a uleiului (21), până când nivelul uleiului a atins volumul maxim de umplere. Verificați nivelul uleiului prin introducerea baghetei de măsurare a uleiului. Nu depășiți volumul maxim de umplere. Umplerea excesivă poate avea ca urmare deteriorări ale aparatului. Introduceți dopul de închidere pentru ulei (16) din nou în orificiu de umplere cu ulei (21).

## 9.6 Curățarea filtrului de aspirație (Fig. 2, 3, 12)

Filtrele de aspirație (15) împiedică aspirarea prafului și a murdăriei. Este necesar ca aceste filtre să fie curățate cel puțin la fiecare 300 de ore de funcționare. Un filtru de aspirație înfundat reduce considerabil puterea compresorului. Îndepărtați filtrul de aspirație prin deșurubarea

acestui de pe aparat. Carcasa filtrului (D) este fixată pe capacul filtrului (C) și poate fi demontat prin apăsare ușoară pe capacul filtrului. Loviți pentru curățare cu grijă filtrul de aer (F), capacul filtrului și carcasa filtrului. Componentele trebuie suflate apoi cu aer comprimat (cca. 3 bari) și montate din nou în ordine inversă. Capacul și carcasa filtrului au poziții diferite de blocare. Țineți cont, ca la montarea filtrului de sucțiune, orificiul de aspirație să fie orientat în jos.

### 9.7 Depozitarea

#### ⚠ Atenție!

**Scoateți ștecherul din priză, aerisiți aparatul și toate sculele pneumatice racordate (vezi 9.7.1). Depozitați compresorul astfel încât să nu poată fi pus în funcțiune de către persoane neautorizate.**

#### ⚠ Atenție!

**Compresorul se va păstra numai în locuri uscate, inaccesibile persoanelor neautorizate. Nu înclinați compresorul, păstrați-l numai în poziție verticală! Este posibilă scurgerea de ulei!**

#### 9.7.1 Evacuarea suprapresiunii

Eliminați suprapresiunea din compresor prin decuplarea acestuia și folosirea aerului comprimat existent în recipientul de presiune, de exemplu cu ajutorul unei scule pneumatice în regim de ralanti sau al unui pistol de suflare.

### 9.8 Comanda pieselor de schimb:

La comanda pieselor de schimb trebuie comunicate următoarele informații;

- Tipul aparatului
- Numărul articolului aparatului
- Numărul de identificare al aparatului

Informații și prețuri actuale găsiți la adresa [www.isc-gmbh.info](http://www.isc-gmbh.info)

### 9.9 Transportul (Fig. 1)

- Înainte de transportul și ridicarea compresorului, decuplați compresorul și scoateți ștecherul din priză.
- Pentru transportul compresorului utilizați mânerul de transport (1).
- Utilizați pentru ridicarea compresorului mânerul de transport (1) de pe recipientul de presiune (7). Țineți cont de greutatea aparatului!
- Transportați compresorul numai în picioare, pentru a evita scurgerea uleiului și asigurați-l împotriva răsturnării.
- Asigurați compresorul în timpul transportului cu autovehicule conform reglementărilor în vigoare.

## 10. Eliminare și reciclare

Aparatul se află într-un ambalaj pentru a împiedica pagubele de transport. Acest ambalaj este o materie primă și este astfel re folosibil sau poate fi readus în circuitul de revalorificare a materiilor prime. Aparatul și piesele sale auxiliare sunt construite din diferite materiale, cum ar fi de exemplu metal sau material plastic. Expediați componentele defecte la centrele de colectare ale deșeurilor speciale. Interesați-vă în acest sens în magazinele de specialitate sau la administrația comunală!



Numai pentru țări ale UE

Nu aruncați aparatele electrice la gunoierul menajer!

Conform directivei europene 2002/96/CE cu privire la aparatele electrice și electronice vechi și punerea în aplicare în legislația națională, aparatele electrice uzate trebuie colectate separat și supuse unui ciclu de reciclare ecologic.

Alternativă de reciclare la apelul de trimitere înapoi:

Alternativ returnării, proprietarul aparatului electric este obligat să participe la o valorificare corectă a acestuia, în cazul renunțării asupra proprietății aparatului. Aparatul vechi poate fi predat în acest sens unui centru de colectare, care execută o îndepărtare conform legilor naționale referitoare la reciclare și deșeuri. Nu sunt afectate accesoriile atașate aparatelor vechi și materiale auxiliare fără componente electrice.

## 11. Cauze de oprire posibile

Problemă	Cauză	Soluția
Compresorul nu merge.	<ol style="list-style-type: none"> <li>1. Nu există tensiune de rețea.</li> <li>2. Tensiunea de alimentare prea scăzută.</li> <li>3. Temperatura exterioară prea mică.</li> <li>4. Motorul supraîncălzit.</li> </ol>	<ol style="list-style-type: none"> <li>1. Se verifică cablul, ștecherul de rețea, siguranța și priza.</li> <li>2. Se va evita folosirea unui cablu prea lung. Se va folosi un cablu prelungitor cu o secțiune suficientă a firelor.</li> <li>3. Nu se va exploata sub o temperatură exterioară de +5 °C.</li> <li>4. Se lasă motorul să se răcească, eventual se remediază cauza supraîncălzirii acestuia.</li> </ol>
Compresorul merge, nu există însă presiune.	<ol style="list-style-type: none"> <li>1. Ventil de reținere neetanș</li> <li>2. Garniturile deteriorate.</li> <li>3. Șurubul de scurgere a apei de condens (9) neetanș.</li> </ol>	<ol style="list-style-type: none"> <li>1. Se schimbă ventilul de reținere.</li> <li>2. Se verifică garniturile, cele deteriorate se vor schimba de către un atelier de specialitate.</li> <li>3. Se strânge șurubul cu mâna. Se verifică garnitura de pe șurub, eventual se schimbă.</li> </ol>
Compresorul merge, manometrul indică presiune, însă uneltele nu funcționează.	<ol style="list-style-type: none"> <li>1. Legăturile prin furtun neetanșe.</li> <li>2. Cuplajul rapid neetanș (4, 20).</li> <li>3. Presiunea reglată la regulatorul de presiune (3) prea redusă.</li> </ol>	<ol style="list-style-type: none"> <li>1. Se verifică furtunul de aer comprimat și uneltele, eventual se înlocuiesc.</li> <li>2. Se verifică cuplajul rapid, eventual se înlocuiește.</li> <li>3. Se deschide din nou regulatorul de presiune.</li> </ol>

## 12.Declarație de conformitate

<b>Einhell Germany AG · Wiesenweg 22 · D-94405 Landau/Isar</b>		<b>CE</b>	
<b>Konformitätserklärung</b>			
<b>D</b>	erklärt folgende Konformität gemäß EU-Richtlinie und Normen für Artikel	<b>PL</b>	deklaruje zgodność wymienionego poniżej artykułu z następującymi normami na podstawie dyrektywy WE.
<b>GB</b>	explains the following conformity according to EU directives and norms for the following product	<b>BG</b>	декларира съответното съответствие съгласно Директива на ЕС и норми за артикул
<b>F</b>	déclare la conformité suivante selon la directive CE et les normes concernant l'article	<b>LV</b>	paskaidro šādu atbilstību ES direktīvai un standartiem
<b>I</b>	dichiara la seguente conformità secondo la direttiva UE e le norme per l'articolo	<b>LT</b>	apibūdina šį atitikimą EU reikalavimams ir prekės normoms
<b>NL</b>	verklaart de volgende overeenstemming conform EU richtlijn en normen voor het product	<b>RO</b>	declară următoarea conformitate conform directivei UE și normelor pentru articolul
<b>E</b>	declara la siguiente conformidad a tenor de la directiva y normas de la UE para el artículo	<b>GR</b>	δηλώνει την ακόλουθη συμμόρφωση σύμφωνα με την Οδηγία ΕΚ και τα πρότυπα για το προϊόν
<b>P</b>	declara a seguinte conformidade, de acordo com a directiva CE e normas para o artigo	<b>HR</b>	potvrđuje sljedeću usklađenost prema smjernicama EU i normama za artikl
<b>DK</b>	attesterer følgende overensstemmelse i medfør af EU-direktiv samt standarder for artikel		Izjava o sukladnosti za ovaj proizvod dostupna je na internet stranici www.lidl.hr.
<b>S</b>	förklarar följande överensstämmelse enl. EU-direktiv och standarder för artikeln	<b>BIH</b>	potvrđuje sljedeću usklađenost prema smjernicama EU i normama za artikl
<b>FIN</b>	vakuuttaa, että tuote täyttää EU-direktiivin ja standardien vaatimukset	<b>RS</b>	potvrđuje sledeću usklađenost prema smernicama EZ i normama za artikal
<b>EE</b>	tõendab toote vastavust EL direktiivile ja standarditele	<b>RUS</b>	следующим удостоверяется, что следующие продукты соответствуют директивам и нормам ЕС
<b>CZ</b>	vydává následující prohlášení o shodě podle směrnice EU a norem pro výrobek	<b>UKR</b>	проголошує про зазначену нижче відповідність виробу директивам та стандартам ЄС на виріб
<b>SLO</b>	potvrjuje sledečo skladnost s smernico EU in standardi za izdelek	<b>MK</b>	ја изјавува следната сообразност согласно ЕУ-директивата и нормите за артикли
<b>SK</b>	vydává nasledujúce prehlásenie o zhode podľa smernice EÚ a noriem pre výrobok	<b>TR</b>	Ürünü ile ilgili AB direktifleri ve normları gereğince aşağıda açıklanan uygunluğu belirtir
<b>H</b>	a cikkekhez az EU-irányvonal és Normák szerint a következő konformitást jelenti ki	<b>N</b>	erklærer følgende samsvar i henhold til EU-direktivet og standarder for artikkel
		<b>IS</b>	Lýsir uppfyllingu EU-reglna og annarra staðla vöru
<b>Kompressor PKO 400 B2 (Parkside)</b>			
<input checked="" type="checkbox"/> 87/404/EC_2009/105/EC	<input checked="" type="checkbox"/> 2006/42/EC		
<input type="checkbox"/> 2005/32/EC_2009/125/EC	<input type="checkbox"/> Annex IV		
<input type="checkbox"/> 2006/95/EC	Notified Body:		
<input type="checkbox"/> 2006/28/EC	Notified Body No.:		
<input checked="" type="checkbox"/> 2004/108/EC	Reg. No.:	<input type="checkbox"/> 2000/14/EC_2005/88/EC	
<input type="checkbox"/> 2004/22/EC		<input type="checkbox"/> Annex V	
<input type="checkbox"/> 1999/5/EC		<input type="checkbox"/> Annex VI	
<input checked="" type="checkbox"/> 97/23/EC		Noise measured: L <sub>WA</sub> = dB (A); guaranteed L <sub>WA</sub> = dB (A)	
<input type="checkbox"/> 90/396/EC_2009/142/EC		P = KW; L/D = cm	
<input type="checkbox"/> 89/686/EC_96/58/EC	<input type="checkbox"/> 2004/26/EC	Notified Body:	
<input checked="" type="checkbox"/> 2011/65/EC	Emission No.:		
<b>Standard references: EN 1012-1; EN 60204-1; EN 55014-1; EN 55014-2; EN 61000-3-2; EN 61000-3-11</b>			
Landau/Isar, den 25.03.2013	 Weichselgartner/General-Manager	 Yu Feng Qing/Product-Management	
<b>First CE: 13</b>	<b>Art.-No.:</b> 40.101.64 <b>I.-No.:</b> 11013	<b>Archive-File/Record:</b> NAPR007418	
<b>Subject to change without notice</b>		<b>Documents registrar:</b> Siegfried Roider Wiesenweg 22, D-94405 Landau/Isar	



### 13. Certificat de garanție

Stimate clientă, stimată client,  
produsele noastre sunt supuse unui control de calitate riguros. Dacă totuși vreodată acest aparat nu va funcționa ireproșabil ne pare foarte rău și vă rugăm să vă adresați la centrul service indicat la finalul acestui certificat de garanție. Bineînțeles că vă stăm și la telefon cu plăcere la dispoziție, la numerele de service menționate mai jos. Pentru revendicarea pretențiilor de garanție trebuie ținut cont de următoarele:

1. Aceste instrucțiuni de garanție reglementează prestațiile de garanție suplimentare. Pretențiile dumneavoastră de garanție legale nu sunt atinse de această garanție. Prestația noastră de garanție este gratuită pentru dumneavoastră.
2. Prestația de garanție se extinde în exclusivitate asupra defectelor care provin din erori de material sau de fabricație și se limitează la remedierea acestor defecte respectiv la schimbarea aparatului. Vă rugăm să țineți cont de faptul că aparatele noastre, în conformitate cu scopul lor de folosire, nu sunt prevăzute pentru intervenții meșteșugărești sau industriale. Din acest motiv nu se va încheia un contract de garanție atunci când aparatul se va folosi în întreprinderi meșteșugărești sau industriale precum și pentru activități similare. De la garanție sunt excluse deasemenea prestațiile pentru deteriorările intervenite pe timpul transportului, deteriorări datorate neluării în considerare a instrucțiunilor de montare sau datorită instalării necompetente, neluării în considerare a instrucțiunilor de folosire (cum ar fi de exemplu racordarea la o tensiune de rețea falsă sau la un curent fals), utilizarea abuzivă sau improprie (cum ar fi suprasolicitarea aparatului sau folosirea uneltelor atașabile sau auxiliare neadmiși), neluării în considerare a prescripțiilor referitoare la lucrările de întreținere și siguranță, intrarea corpurilor străine în aparat (cum ar fi nisip, pietre sau praf), recurgerea la violență sau influențe străine (cum ar fi de exemplu deteriorări datorită căderii), precum și datorită uzurii normale, conformă utilizării. Acest lucru este valabil în special pentru acumulate, cu toate acestea acordăm totuși o durată de garanție de 12 luni. Pretenția de garanție se pierde atunci când s-au efectuat intervenții la aparat.
3. Durata de garanție este de 3 ani și începe din ziua cumpărării aparatului. Pretențiile de garanție se vor revendica în interval de două săptămâni de la data apariției defectului. Este exclusă revendicarea pretenției de garanție după expirarea duratei de garanție. Repararea sau schimbarea aparatului nu duce nici la prelungirea duratei de garanție și nici nu se va fixa o durată de garanție nouă pentru prestația efectuată la acest aparat sau pentru o piesă schimbată la acesta. Acest lucru este valabil și în cazul unui service la fața locului.
4. Pentru revendicarea pretențiilor dumneavoastră de garanție vă rugăm să trimiteți aparatul defect gratuit la adresa menționată mai jos. Anexați bonul de cumpărare în original sau o altă dovadă de cumpărare datată. Vă rugăm să păstrați cu grijă bonul de casă drept dovadă! Vă rugăm să descrieți cât mai amănunțit motivul reclamației. Dacă defectul aparatului este cuprins în prestațiile noastre de garanție, veți primi imediat înapoi aparatul reparat sau un aparat nou.

Bineînțeles că remediem cu plăcere contra cost și defecte la aparate care nu sunt sau nu mai sunt cuprinse în prestațiile de garanție. Pentru aceasta trimiteți va rugăm aparatul la adresa noastră service.

**Einhell Romania Srl**

A1 Business Park, Hala B1, Aleea Maria-Laura nr.5, Autostrada A1, Km 13,5

RO-077096

Tel.: 021/318 55 41 · Fax: 021/318 55 43

E-Mail: [servicero@einhell.com](mailto:servicero@einhell.com)

IAN 89566



## Inhaltsverzeichnis

1. Einleitung .....	76
2. Sicherheitshinweise .....	76
3. Gerätebeschreibung und Lieferumfang .....	78
4. Bestimmungsgemäße Verwendung .....	79
5. Technische Daten .....	79
6. Vor Inbetriebnahme .....	80
7. Montage und Inbetriebnahme .....	80
8. Austausch der Netzanschlussleitung .....	81
9. Reinigung, Wartung, Lagerung, Ersatzteilbestellung und Transport .....	81
10. Entsorgung und Wiederverwertung .....	83
11. Mögliche Ausfallursachen .....	84
12. Konformitätserklärung .....	85
13. Garantiekunde .....	86

Der Nachdruck oder sonstige Vervielfältigung von Dokumentation und Begleitpapieren der Produkte, auch auszugsweise, ist nur mit ausdrücklicher Zustimmung der iSC GmbH zulässig.

Technische Änderungen vorbehalten



**Warnung** - Zur Verringerung des Verletzungsrisikos Bedienungsanleitung lesen



**Tragen Sie einen Gehörschutz.** Die Einwirkung von Lärm kann Gehörverlust bewirken.



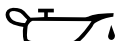
**Warnung vor elektrischer Spannung**



**Warnung vor heißen Teilen**



**Warnung! Die Einheit ist ferngesteuert und darf ohne Warnung anlaufen**



**Achtung!** Vor Erstinbetriebnahme Ölstand überprüfen und Ölverschlussstopfen austauschen!



**Achtung!** Den Hahn/Druckregler nicht öffnen, bevor der Luftschlauch angeschlossen ist.



**OFF**



**ON**

Bei Überlastung des Gerätes schaltet der Überlastschalter ab, um Schäden zu vermeiden. Betätigen Sie nach Abkühlung den Taster, um das Gerät wieder in Betrieb nehmen zu können.

## 1. Einleitung

Herzlichen Glückwunsch zum Kauf Ihres neuen Gerätes.

Sie haben sich damit für ein hochwertiges Produkt entschieden. Die Bedienungsanleitung ist Bestandteil dieses Produkts. Sie enthält wichtige Hinweise für Sicherheit, Gebrauch und Entsorgung. Machen Sie sich vor der Benutzung des Produkts mit allen Bedien- und Sicherheitshinweisen vertraut. Benutzen Sie das Produkt nur wie beschrieben und für die angegebenen Einsatzbereiche. Händigen Sie alle Unterlagen bei Weitergabe des Produkts an Dritte mit aus.

## 2. Sicherheitshinweise

### ⚠ **Warnung**

**Lesen Sie alle Sicherheitshinweise und Anweisungen.** Versäumnisse bei der Einhaltung der Sicherheitshinweise und Anweisungen können elektrischen Schlag, Brand und/oder schwere Verletzungen verursachen. **Bewahren Sie alle Sicherheitshinweise und Anweisungen für die Zukunft auf.**

### 2.1 Sicherheitshinweise

⚠ **Achtung! Beim Gebrauch dieses Kompressors sind zum Schutz gegen elektrischen Schlag, Verletzungs- und Brandgefahr folgende grundsätzliche Sicherheitsmaßnahmen zu beachten. Lesen und beachten Sie diese Hinweise, bevor Sie das Gerät benutzen.**

- **Halten Sie Ihren Arbeitsbereich in Ordnung**  
Unordnung im Arbeitsbereich ergibt Unfallgefahr.
- **Berücksichtigen Sie Umgebungseinflüsse**  
Setzen Sie den Kompressor nicht dem Regen aus. Benutzen Sie den Kompressor nicht in feuchter oder nasser Umgebung. Gefahr durch Stromschlag! Sorgen Sie für gute Beleuchtung. Benutzen Sie den Kompressor nicht in der Nähe von brennbaren Flüssigkeiten

oder Gasen. Explosionsgefahr!

- **Schützen Sie sich vor elektrischem Schlag**  
Vermeiden Sie Körperberührung mit geerdeten Teilen, zum Beispiel Rohren, Heizkörpern, Herden, Kühlschränken.
- **Halten Sie Kinder fern!**  
Lassen Sie andere Personen nicht den Kompressor oder das Kabel berühren, halten Sie sie von Ihrem Arbeitsbereich fern.
- **Bewahren Sie Ihren Kompressor sicher auf**  
Der unbenutzte Kompressor muss in einem trockenen, verschlossenen Raum und für Kinder nicht erreichbar aufbewahrt werden.
- **Überlasten Sie Ihren Kompressor nicht**  
Sie arbeiten besser und sicherer im angegebenen Leistungsbereich.
- **Tragen Sie geeignete Arbeitskleidung**  
Tragen Sie keine weite Kleidung oder Schmuck. Sie können von beweglichen Teilen erfasst werden. Bei Arbeiten im Freien sind Gummihandschuhe und rutschfestes Schuhwerk empfehlenswert. Tragen Sie bei langen Haaren ein Haarnetz. Verletzungsgefahr!
- **Zweckentfremden Sie nicht das Kabel**  
Ziehen Sie den Kompressor nicht am Kabel, und benutzen Sie es nicht, um den Stecker aus der Steckdose zu ziehen. Schützen Sie das Kabel vor Hitze, Öl und scharfen Kanten. Kabel/Stecker können beschädigt werden.
- **Pflegen Sie Ihren Kompressor mit Sorgfalt**  
Halten Sie Ihren Kompressor sauber, um gut und sicher zu arbeiten. Befolgen Sie die Wartungsvorschriften. Kontrollieren Sie regelmäßig den Stecker und das Kabel, und lassen Sie diese bei Beschädigung von einem anerkannten Fachmann erneuern. Kontrollieren Sie Verlängerungskabel regelmäßig und ersetzen Sie beschädigte.
- **Ziehen Sie den Netzstecker**  
Bei Nichtgebrauch, vor der Wartung.
- **Vermeiden Sie unbeabsichtigten Anlauf**  
Vergewissern Sie sich, dass der Schalter beim Anschluss an das Stromnetz ausgeschaltet ist.

- **Verlängerungskabel im Freien**  
Verwenden Sie im Freien nur dafür zugelassene und entsprechend gekennzeichnete Verlängerungskabel.
  - **Seien Sie stets aufmerksam**  
Beobachten Sie Ihre Arbeit. Gehen Sie vernünftig vor. Verwenden Sie den Kompressor nicht, wenn Sie unkonzentriert sind.
  - **Kontrollieren Sie Ihren Kompressor auf Beschädigungen**  
Vor weiterem Gebrauch des Kompressors die Schutzeinrichtungen oder leicht beschädigte Teile sorgfältig auf ihre einwandfreie und bestimmungsgemäße Funktion überprüfen. Überprüfen Sie, ob die Funktion beweglicher Teile in Ordnung ist, ob sie nicht klemmen oder ob Teile beschädigt sind. Sämtliche Teile müssen richtig montiert sein um die Sicherheit des Gerätes zu gewährleisten. Beschädigte Schutzvorrichtungen und Teile müssen sachgemäß durch eine Kundendienstwerkstatt repariert oder ausgewechselt werden, soweit nichts anderes in der Betriebsanleitung angegeben ist. Beschädigte Schalter müssen bei einer Kundendienstwerkstatt ersetzt werden. Benutzen Sie keine Werkzeuge, bei denen sich der Schalter nicht ein- und ausschalten lässt.
  - **Achtung!**  
Zu Ihrer eigenen Sicherheit, benutzen Sie nur Zubehör und Zusatzgeräte, die in der Bedienungsanleitung angegeben oder vom Hersteller empfohlen oder angegeben werden. Der Gebrauch anderer als der in der Bedienungsanleitung oder im Katalog empfohlenen Einsatzwerkzeuge oder Zubehöre kann eine persönliche Verletzungsgefahr für Sie bedeuten.
  - **Reparaturen nur vom Elektrofachmann**  
Reparaturen dürfen nur von einer Elektrofachkraft ausgeführt werden, andernfalls können Unfälle für den Betreiber entstehen.
  - **Geräusch**  
Bei Verwendung des Kompressors Gehörschutz tragen.
  - **Austausch der Anschlussleitung**  
Wenn die Anschlussleitung beschädigt wird, muss sie vom Hersteller oder einer Elektrofachkraft ersetzt werden, um Gefährdungen zu vermeiden. Gefahr durch Stromschläge!
  - **Befüllung von Reifen**  
Kontrollieren Sie den Reifendruck unmittelbar nach der Befüllung durch ein geeignetes Manometer, z.B. an einer Tankstelle.
  - **Straßenfahrbare Kompressoren im Baustellenbetrieb**  
Achten Sie darauf, dass alle Schläuche und Armaturen für den höchst zulässigen Arbeitsdruck des Kompressors geeignet sind.
  - **Aufstellort**  
Stellen Sie den Kompressor nur auf einer ebenen Fläche auf.
  - Beachten Sie, dass alle verwendeten Druckluftschläuche und Armaturen für den Betrieb mit dem maximalen Druck des Kompressors geeignet sind.
  - Es wird empfohlen, bei Drücken über 7 bar einen Schlauch mit einem Sicherheitskabel zu verwenden
- ## 2.2 Sicherheitshinweise zum Arbeiten mit Druckluft und Ausblaspistolen
- Verdichterpumpe und Leitungen erreichen im Betrieb hohe Temperaturen. Berührungen führen zu Verbrennungen.
  - Die vom Kompressor angesaugte Luft ist frei von Beimengungen zu halten, die in der Verdichterpumpe zu Bränden oder Explosionen führen können.
  - Halten Sie beim Lösen der Schlauchkupplung das Kupplungsstück des Schlauches mit der Hand fest. So vermeiden Sie Verletzungen durch den zurückschnellenden Schlauch.
  - Bei Arbeiten mit der Ausblaspistole Schutzbrille tragen. Durch Fremdkörper und weggeblasene Teile können leicht Verletzungen verursacht werden.
  - Mit der Ausblaspistole keine Personen anblasen oder Kleidung am Körper reinigen. Verletzungsgefahr!



### 2.3 Sicherheitshinweise beim Farbspritzen

- Keine Lacke oder Lösungsmittel mit einem Flammpunkt von weniger als 55° C verarbeiten. Explosionsgefahr!
- Lacke und Lösungsmittel nicht erwärmen. Explosionsgefahr!
- Werden gesundheitsschädliche Flüssigkeiten verarbeitet, sind zum Schutz Filtergeräte (Gesichtsmasken) erforderlich. Beachten Sie auch die von den Herstellern solcher Stoffe gemachten Angaben über Schutzmaßnahmen.
- Die auf den Umverpackungen der verarbeiteten Materialien aufgeführten Angaben und Kennzeichnungen der Gefahrstoffverordnung sind zu beachten. Gegebenenfalls sind zusätzliche Schutzmaßnahmen zu treffen, insbesondere geeignete Kleidung und Masken zu tragen.
- Während des Spritzvorgangs sowie im Arbeitsraum darf nicht geraucht werden. Explosionsgefahr! Auch Farbdämpfe sind leicht brennbar.
- Feuerstellen, offenes Licht oder funkenschlagnende Maschinen dürfen nicht vorhanden sein bzw. betrieben werden.
- Speisen und Getränke nicht im Arbeitsraum aufbewahren oder verzehren. Farbdämpfe sind gesundheitsschädlich.
- Der Arbeitsraum muss größer als 30 m<sup>3</sup> sein und es muss ausreichender Luftwechsel beim Spritzen und Trocknen gewährleistet sein. Nicht gegen den Wind spritzen. Grundsätzlich beim Verspritzen von brennbaren bzw. gefährlichen Spritzgütern die Bestimmungen der örtlichen Polizeibehörde beachten.
- Verarbeiten Sie in Verbindung mit dem PVC-Druckschlauch keine Medien wie Testbenzin, Butylalkohol und Methylenchlorid.
- Diese Medien zerstören den Druckschlauch.

### 2.4 Betrieb von Druckbehältern

- Wer einen Druckbehälter betreibt, hat diesen in einem ordnungsgemäßen Zustand zu erhalten, ordnungsgemäß zu betreiben, zu überwachen, notwendige Instandhaltungs- und Instandsetzungsarbeiten unverzüglich vorzunehmen und die den Umständen nach

erforderlichen Sicherheitsmaßnahmen zu treffen.

- Die Aufsichtsbehörde kann im Einzelfall erforderliche Überwachungsmaßnahmen anordnen.
- Ein Druckbehälter darf nicht betrieben werden, wenn er Mängel aufweist, durch die Beschäftigte oder Dritte gefährdet werden.
- Kontrollieren Sie den Druckbehälter vor jedem Betrieb auf Rost und Beschädigungen. Der Kompressor darf nicht mit einem beschädigten oder rostigen Druckbehälter betrieben werden. Stellen Sie Beschädigungen fest, so wenden Sie sich bitte an die Kundendienstwerkstatt.

**Bewahren Sie die Sicherheitshinweise gut auf.**

## 3. Gerätebeschreibung und Lieferumfang

### 3.1 Gerätebeschreibung

1. Transportgriff
2. Druckschalter
3. Druckregler
4. Schnellkupplung (geregelter Druckluft)
5. Manometer (eingestellter Druck kann abgelesen werden)
6. Manometer (Kesseldruck kann abgelesen werden)
7. Druckbehälter
8. Standfuß
9. Ablassschraube für Kondenswasser
10. Achsschraube
11. Rad
12. Rückschlagventil mit Druckleitung
13. Verdichterpumpe
14. Gehäuse
15. Luftfilter
16. Öl – Verschlussstopfen mit Ölmesstab
17. Ein- / Aus - Schalter
18. Öl-Ablassschraube
19. Sicherheitsventil
20. Schnellkupplung (ungeregelte Druckluft)
21. Öl – Einfüllöffnung
22. Unterlegscheibe

- 23. Federring
- 24. Mutter
- 25. Schraube
- 26. Unterlegscheibe
- 27. Unterlegscheibe
- 28. Mutter
- 29. Radkappe

### 3.2 Lieferumfang

- Öffnen Sie die Verpackung und nehmen Sie das Gerät vorsichtig aus der Verpackung.
- Entfernen Sie das Verpackungsmaterial sowie Verpackungs- und Transportsicherungen (falls vorhanden).
- Überprüfen Sie, ob der Lieferumfang vollständig ist.
- Kontrollieren Sie das Gerät und die Zubehörteile auf Transportschäden.
- Bewahren Sie die Verpackung nach Möglichkeit bis zum Ablauf der Garantiezeit auf.

#### Achtung!

**Gerät und Verpackungsmaterial sind kein Kinderspielzeug! Kinder dürfen nicht mit Kunststoffbeuteln, Folien und Kleinteilen spielen! Es besteht Verschluckungs- und Erstickungsgefahr!**

## 4. Bestimmungsgemäße Verwendung

Der Kompressor dient zum Erzeugen von Druckluft für druckluftbetriebene Werkzeuge, welche mit einer Luftmenge bis ca. 360 l/min. betrieben werden können (z.B. Reifenfüller, Ausblaspistole und Lackierpistole). Druckluftwerkzeuge mit sehr hohem Luftverbrauch können für diesen Kompressor nur eingeschränkt verwendbar sein. Prüfen Sie bei Geräten mit hohem Luftverbrauch (z.B. Schwingschleifer, Stabschleifer, Schlagschrauber), ob die Luftmenge des Kompressors ausreicht, um diese Geräte zu betreiben. Die geförderte Luftmenge des Kompressors muss höher sein als der Luftverbrauch des Druckluftwerkzeugs bei dessen Betriebsdruck.

Die Maschine darf nur nach ihrer Bestimmung verwendet werden. Jede weitere darüber hinausgehende Verwendung ist nicht bestimmungsgemäß. Für daraus hervorgerufene Schäden oder Verletzungen aller Art haftet der Benutzer/Bediener und nicht der Hersteller.

Bitte beachten Sie, dass unsere Geräte bestimmungsgemäß nicht für den gewerblichen, handwerklichen oder industriellen Einsatz konstruiert wurden. Wir übernehmen keine Gewährleistung, wenn das Gerät in Gewerbe-, Handwerks- oder Industriebetrieben sowie bei gleichzusetzenden Tätigkeiten eingesetzt wird.

## 5. Technische Daten

Netzanschluss: .....	230 V ~ 50 Hz
Motorleistung kW: .....	S1 2400 W
.....	S2 30 min 2600 W
Kompressor-Drehzahl min <sup>-1</sup> : .....	2850
Betriebsdruck bar: .....	max. 8
Druckbehältervolumen (in Liter): .....	50
Theo. Ansaugleistung l/min.: .....	ca. 360
Effektive Abgabemenge bei 7 bar.: .....	ca. 170 l/min
Schallleistungspegel L <sub>WA</sub> in dB: .....	96
Unsicherheit K <sub>WA</sub> : .....	2 dB
Schalldruckpegel L <sub>pA</sub> in dB: .....	74
Unsicherheit K <sub>pA</sub> : .....	2 dB
Schutzart: .....	IP20
Gerätengewicht in kg: .....	ca. 38,5
Öl (15W 40) .....	0,7 l

#### Einschaltdauer:

Die Einschaltdauer S2 30 min (Kurzzeitbetrieb) sagt aus, dass der Motor mit der Nennleistung 2600 Watt nur für die auf dem Datenschild angegebene Zeit (30 min) dauernd belastet werden darf. Andernfalls würde er sich unzulässig erwärmen. Während der Pause kühlt sich der Motor wieder auf seine Ausgangstemperatur ab.

Die Geräuschemissionswerte wurden entsprechend EN ISO 2151: 2008 gemessen.

## 6. Vor Inbetriebnahme

Überzeugen Sie sich vor dem Anschließen, dass die Daten auf dem Typenschild mit den Netzdaten übereinstimmen.

- Überprüfen Sie das Gerät auf Transportschäden. Etwaige Schäden sofort dem Transportunternehmen melden, mit dem der Kompressor angeliefert wurde.
- Die Aufstellung des Kompressors muss in der Nähe des Verbrauchers erfolgen.
- Lange Luftleitungen und lange Zuleitungen (Verlängerungskabel) sind zu vermeiden.
- Auf trockene und staubfreie Ansaugluft achten.
- Den Kompressor nicht in feuchtem oder nassem Raum aufstellen.
- Der Kompressor darf nur in geeigneten Räumen (gut belüftet, Umgebungstemperatur +5°C bis 40°C) betrieben werden. Im Raum dürfen sich keine Stäube, keine Säuren, Dämpfe, explosive oder entflammbare Gase befinden.
- Der Kompressor ist geeignet für den Einsatz in trockenen Räumen. In Bereichen, in denen mit Spritzwasser gearbeitet wird, ist der Einsatz nicht zulässig.
- Vor Inbetriebnahme muss der Ölstand in der Kompressorpumpe kontrolliert werden (siehe 9.4).

## 7. Montage und Inbetriebnahme

### ⚠ Achtung!

**Vor der Inbetriebnahme das Gerät unbedingt komplett montieren!**

Zur Montage benötigen Sie:

- 1 x Gabelschlüssel 13 mm (nicht im Lieferumfang enthalten)
- 2 x Gabelschlüssel 16 mm (nicht im Lieferumfang enthalten)

### 7.1 Montage der Räder (11)

Montieren Sie die beiliegenden Räder wie in Bild 5 dargestellt.

### 7.2 Montage der Standfüße (8)

Montieren Sie die beiliegenden Standfüße wie in Bild 6 dargestellt.

### 7.3 Montage der Luftfilter (15)

Entfernen Sie die Transportstopfen (B) und schrauben Sie die Luftfilter (15) am Gerät fest (Bild 7,8). Achten Sie darauf, dass die Ansaugöffnung am Luftfilter nach unten zeigt.

### 7.4 Austausch des Transportdeckels (A)

Entfernen Sie den Transportdeckel der Öleinfüllöffnung (21) und setzen Sie den beiliegenden Öl-Verschlussstopfen (16) in die Öleinfüllöffnung ein. (Bild 9,10)

### 7.5 Netzanschluss

- Achten Sie vor Inbetriebnahme darauf, dass die Netzspannung mit der Betriebsspannung (lt. Maschinenleistungsschild) übereinstimmt.
- Lange Zuleitungen, sowie Verlängerungen, Kabeltrommeln usw. verursachen Spannungsabfall und können den Motoranlauf verhindern.
- Bei niedrigen Temperaturen unter +5°C ist der Motoranlauf durch Schwergängigkeit gefährdet.

### 7.6 Ein-/ Ausschalter (Bild 2)

Zum Einschalten des Kompressors wird der Ein-/ Ausschalter (17) nach oben gezogen. Zum Abschalten wird der Ein-/ Ausschalter nach unten gedrückt.

### 7.7 Druckeinstellung: (Bild 1-3)

- Mit dem Druckregler (3) wird der Druck am Manometer (5) eingestellt.
- Drehen Sie zum Einstellen des Drucks am Griff des Druckreglers.
- Der eingestellte Druck kann an der Schnellkupplung (4) entnommen werden.
- Am Manometer (6) wird der Kesseldruck abgelesen.
- Der Kesseldruck wird an der Schnellkupplung



(20) entnommen.

### 7.8 Druckschaltereinstellung (Bild 1)

Der Druckschalter (2) ist werkseitig eingestellt.  
Einschaltdruck ca. 6 bar  
Ausschaltdruck ca. 8 bar

### 7.9 Überlastschutz (Bild 3)

Der Motor dieses Geräts ist mit einem Überlastschalter (G) gegen Überlastung geschützt. Bei Überschreiten des Nennstroms schaltet der Überlastschalter (G) das Gerät aus. Nach einer kurzen Abkühlpause kann das Gerät durch Betätigen des Überlastschalters (G) wieder eingeschaltet werden.

## 8. Austausch der Netzanschlussleitung

Wenn die Netzanschlussleitung dieses Gerätes beschädigt wird, muss sie durch den Hersteller oder seinen Kundendienst oder eine ähnlich qualifizierte Person ersetzt werden, um Gefährdungen zu vermeiden.

## 9. Reinigung, Wartung, Lagerung, Ersatzteilbestellung und Transport

**⚠ Achtung!**  
**Ziehen Sie vor allen Reinigungs- und Wartungsarbeiten den Netzstecker! Verletzungsgefahr durch Stromstöße!**

**⚠ Achtung!**  
**Warten Sie bis das Gerät vollständig abgekühlt ist! Verbrennungsgefahr!**

**⚠ Achtung!**  
**Vor allen Reinigungs- und Wartungsarbeiten ist das Gerät drucklos zu machen (s. 9.7.1)! Verletzungsgefahr!**

### 9.1 Reinigung

- Halten Sie das Gerät so staub- und schmutzfrei wie möglich. Reiben Sie das Gerät mit einem sauberen Tuch ab oder blasen Sie es mit Druckluft bei niedrigem Druck aus.
- Wir empfehlen, dass Sie das Gerät direkt nach jeder Benutzung reinigen.
- Reinigen Sie das Gerät regelmäßig mit einem feuchten Tuch und etwas Schmierseife. Verwenden Sie keine Reinigungs- oder Lösungsmittel; diese könnten die Kunststoffteile des Gerätes angreifen. Achten Sie darauf, dass kein Wasser in das Geräteinnere gelangen kann.
- Schlauch und Spritzwerkzeuge müssen vor Reinigung vom Kompressor getrennt werden. Der Kompressor darf nicht mit Wasser, Lösungsmitteln o. Ä. gereinigt werden.

### 9.2 Wartung des Druckbehälters (Bild 1)

Achtung! Für dauerhafte Haltbarkeit des Druckbehälters (7) ist nach jedem Betrieb das Kondenswasser durch Öffnen der Ablassschraube (9) abzulassen. Lassen Sie zuvor den Kesseldruck ab (9.7.1). Die Ablassschraube wird durch Drehen gegen den Uhrzeigersinn geöffnet (Blickrichtung von der Kompressorunterseite auf die Schraube), damit das Kondenswasser vollständig aus dem Druckbehälter ablaufen kann. Verschließen Sie danach die Ablassschraube wieder (Drehen im Uhrzeigersinn). Kontrollieren Sie den Druckbehälter vor jedem Betrieb auf Rost und Beschädigungen. Der Kompressor darf nicht mit einem beschädigten oder rostigen Druckbehälter betrieben werden. Stellen Sie Beschädigungen fest, so wenden Sie sich bitte an die Kundendienstwerkstatt.

**⚠ Achtung!**  
**Das Kondenswasser aus dem Druckbehälter enthält Ölrückstände. Entsorgen Sie das Kondenswasser umweltgerecht bei einer entsprechenden Sammelstelle.**

### 9.3 Sicherheitsventil (Bild 2)

Das Sicherheitsventil (19) ist auf den höchstzulässigen Druck des Druckbehälters eingestellt. Es ist nicht zulässig, das Sicherheitsventil zu verstellen oder dessen Plombe zu entfernen. Damit das Sicherheitsventil im Bedarfsfall richtig funktioniert, muss dies von Zeit zu Zeit betätigt werden. Ziehen Sie so stark am Ring, bis die Druckluft hörbar abbläst. Anschließend lassen Sie den Ring wieder los.

### 9.4 Ölstand regelmäßig kontrollieren (Bild 11)

Kompressor auf eine ebene, gerade Fläche stellen. Der Ölstand muss sich zwischen MAX und MIN des Ölmesstabes (16) befinden.

Ölwechsel: Empfohlenes Öl: SAE 15W 40 oder gleichwertiges. Die Erstfüllung muss nach 100 Betriebsstunden gewechselt werden; danach ist alle 300 Betriebsstunden das Öl abzulassen und neues nachzufüllen.

### 9.5 Ölwechsel (Bild 1, 10, 11)

Schalten Sie den Motor ab und ziehen Sie den Netzstecker aus der Steckdose. Nachdem Sie den eventuell vorhandenen Luftdruck abgelassen haben (9.7.1), können Sie die Öl-Ablassschraube (18) an der Verdichterpumpe (13) heraus-schrauben. Damit das Öl nicht unkontrolliert herausläuft, halten Sie eine kleine Blechrinne darunter und fangen Sie das Öl in einem Behälter auf. Falls das Öl nicht vollständig herausläuft, empfehlen wir den Kompressor ein wenig zu neigen. Ist das Öl herausgelaufen, setzen Sie die Öl-Ablassschraube (18) wieder ein.

### Das Altöl entsorgen Sie bei einer entsprechenden Annahmestelle für Altöl.

Um die richtige Ölmenge zu befüllen, achten Sie darauf, das der Kompressor auf einer geraden Fläche steht. Füllen Sie das neue Öl in die Öleinfüllöffnung (21), bis der Ölstand die maximale Füllmenge erreicht. Prüfen Sie den Ölstand durch Einstecken des Ölmesstabes. Überschreiten Sie nicht die maximale Füllmenge. Eine Überfüllung kann einen Geräteschaden zur Folge haben. Setzen Sie den Ölverschlussstopfen (16) wieder in die Öleinfüllöffnung (21).

### 9.6 Reinigen des Ansaugfilters (Bild 2, 3, 12)

Die Ansaugfilter (15) verhindern das Einsaugen von Staub und Schmutz. Es ist notwendig, diese Filter mindestens alle 300 Betriebsstunden zu reinigen. Ein verstopfter Ansaugfilter vermindert die Leistung des Kompressors erheblich.

Entfernen Sie die Ansaugfilter, indem sie diese vom Gerät abschrauben. Das Filtergehäuse (D) ist am Filterdeckel (C) aufgesteckt und kann durch leichten Druck auf den Filterdeckel abgenommen werden. Klopfen Sie Luftfilter (F), Filterdeckel und Filtergehäuse vorsichtig aus. Die Bauteile müssen danach mit Druckluft (ca.3 bar) ausgeblasen und in umgekehrter Reihenfolge wieder montiert werden.

Filterdeckel und Filtergehäuse haben verschiedene Einrastpositionen. Achten Sie darauf, dass beim Zusammenbau des Ansaugfilters die Ansaugöffnung nach unten zeigt.

### 9.7 Lagerung

#### ⚠ Achtung!

**Ziehen Sie den Netzstecker, entlüften Sie das Gerät und alle angeschlossenen Druckluftwerkzeuge (s. 9.7.1). Stellen Sie den Kompressor so ab, dass dieser nicht von Unbefugten in Betrieb genommen werden kann.**

#### ⚠ Achtung!

**Den Kompressor nur in trockener und für Unbefugte unzugänglicher Umgebung aufbewahren. Nicht kippen, nur stehend aufbewahren! Öl kann auslaufen!**

### 9.7.1 Ablassen des Überdrucks

Lassen Sie den Überdruck im Kompressor ab, indem Sie den Kompressor ausschalten und die noch im Druckbehälter vorhandene Druckluft verbrauchen, z.B. mit einem Druckluftwerkzeug im Leerlauf oder mit einer Ausblaspistole.

### 9.8 Ersatzteilbestellung:

Bei der Ersatzteilbestellung sollten folgende Angaben gemacht werden;

- Typ des Gerätes
- Artikelnummer des Gerätes
- Ident-Nummer des Gerätes

Aktuelle Preise und Infos finden Sie unter [www.isc-gmbh.info](http://www.isc-gmbh.info)

### 9.9 Transport (Bild 1)

- Schalten Sie den Kompressor zum Fahren und Anheben aus und ziehen Sie den Netzstecker.
- Verwenden Sie zum Fahren des Kompressors den Transportgriff (1).
- Verwenden Sie zum Anheben des Kompressors den Transportgriff (1) am Druckbehälter (7). Gerätegewicht beachten!
- Transportieren Sie den Kompressor nur aufrecht, um das Auslaufen von Öl zu vermeiden und sichern Sie ihn gegen Kippen.
- Sichern Sie den Kompressor entsprechend einschlägiger Vorschriften für den Transport in Kraftfahrzeugen.

## 10. Entsorgung und Wiederverwertung

Das Gerät befindet sich in einer Verpackung um Transportschäden zu verhindern. Diese Verpackung ist Rohstoff und ist somit wieder verwendbar oder kann dem Rohstoffkreislauf zurückgeführt werden. Das Gerät und dessen Zubehör bestehen aus verschiedenen Materialien, wie z.B. Metall und Kunststoffe. Führen Sie defekte Bauteile der Sondermüllentsorgung zu. Fragen Sie im Fachgeschäft oder in der Gemeindeverwaltung nach!



Nur für EU-Länder

Werfen Sie Elektrowerkzeuge nicht in den Hausmüll!

Gemäß europäischer Richtlinie 2002/96/EG über Elektro- und Elektronik-Altgeräte und Umsetzung in nationales Recht müssen verbrauchte Elektrowerkzeuge getrennt gesammelt werden und einer umweltgerechten Wiederverwertung zugeführt werden.

Recycling-Alternative zur Rücksendeaufforderung: Der Eigentümer des Elektrogerätes ist alternativ anstelle Rücksendung zur Mitwirkung bei der sachgerechten Verwertung im Falle der Eigentumsaufgabe verpflichtet. Das Altgerät kann hierfür auch einer Rücknahmestelle überlassen werden, die eine Beseitigung im Sinne der nationalen Kreislaufwirtschafts- und Abfallgesetze durchführt. Nicht betroffen sind den Altgeräten beigelegte Zubehörteile und Hilfsmittel ohne Elektrobestandteile.

## 11. Mögliche Ausfallursachen

Problem	Ursache	Lösung
Kompressor läuft nicht.	<ol style="list-style-type: none"> <li>1. Netzspannung nicht vorhanden.</li> <li>2. Netzspannung zu niedrig.</li> <li>3. Außentemperatur zu niedrig.</li> <li>4. Motor überhitzt.</li> </ol>	<ol style="list-style-type: none"> <li>1. Kabel, Netzstecker, Sicherung und Steckdose überprüfen.</li> <li>2. Zu lange Verlängerungskabel vermeiden. Verlängerungskabel mit ausreichendem Aderquerschnitt verwenden.</li> <li>3. Nicht unter +5° C Außentemperatur betreiben.</li> <li>4. Motor abkühlen lassen ggf. Ursache der Überhitzung beseitigen.</li> </ol>
Kompressor läuft, jedoch kein Druck.	<ol style="list-style-type: none"> <li>1. Rückschlagventil undicht</li> <li>2. Dichtungen kaputt.</li> <li>3. Ablass-Schraube für Kondenswasser (9) undicht.</li> </ol>	<ol style="list-style-type: none"> <li>1. Rückschlagventil austauschen.</li> <li>2. Dichtungen überprüfen, kaputte Dichtungen bei einer Fachwerkstatt ersetzen lassen.</li> <li>3. Schraube per Hand nachziehen. Dichtung auf der Schraube überprüfen, ggf. ersetzen.</li> </ol>
Kompressor läuft, Druck wird am Manometer angezeigt, jedoch Werkzeuge laufen nicht.	<ol style="list-style-type: none"> <li>1. Schlauchverbindungen undicht.</li> <li>2. Schnellkupplung undicht (4,20).</li> <li>3. Zu wenig Druck am Druckregler (3) eingestellt.</li> </ol>	<ol style="list-style-type: none"> <li>1. Druckluftschlauch und Werkzeuge überprüfen, ggf. austauschen.</li> <li>2. Schnellkupplung überprüfen, ggf. ersetzen.</li> <li>3. Druckregler weiter aufdrehen.</li> </ol>

## 12. Konformitätserklärung

<b>Einhell Germany AG · Wiesenweg 22 · D-94405 Landau/Isar</b>		<b>CE</b>	
<b>Konformitätserklärung</b>			
<b>D</b>	erklärt folgende Konformität gemäß EU-Richtlinie und Normen für Artikel	<b>PL</b>	deklaruje zgodność wymienionego poniżej artykułu z następującymi normami na podstawie dyrektywy WE.
<b>GB</b>	explains the following conformity according to EU directives and norms for the following product	<b>BG</b>	декларира съответното съответствие съгласно Директива на ЕС и норми за артикул
<b>F</b>	déclare la conformité suivante selon la directive CE et les normes concernant l'article	<b>LV</b>	paskaidro šādu atbilstību ES direktīvai un standartiem
<b>I</b>	dichiara la seguente conformità secondo la direttiva UE e le norme per l'articolo	<b>LT</b>	apibūdina šį atitikimą EU reikalavimams ir prekės normoms
<b>NL</b>	verklaart de volgende overeenstemming conform EU richtlijn en normen voor het product	<b>RO</b>	declară următoarea conformitate conform directivei UE și normelor pentru articolul
<b>E</b>	declara la siguiente conformidad a tenor de la directiva y normas de la UE para el artículo	<b>GR</b>	δηλώνει την ακόλουθη συμμόρφωση σύμφωνα με την Οδηγία ΕΚ και τα πρότυπα για το προϊόν
<b>P</b>	declara a seguinte conformidade, de acordo com a directiva CE e normas para o artigo	<b>HR</b>	potvrđuje sljedeću usklađenost prema smjernicama EU i normama za artikl
<b>DK</b>	attesterer følgende overensstemmelse i medfør af EU-direktiv samt standarder for artikel	<b>HR</b>	Izjava o sukladnosti za ovaj proizvod dostupna je na internet stranici www.lidl.hr.
<b>S</b>	förklarar följande överensstämmelse enl. EU-direktiv och standarder för artikeln	<b>BIH</b>	potvrđuje sljedeću usklađenost prema smjernicama EU i normama za artikl
<b>FIN</b>	vakuuttaa, että tuote täyttää EU-direktiivin ja standardien vaatimukset	<b>RS</b>	potvrđuje sledeću usklađenost prema smernicama EZ i normama za artikal
<b>EE</b>	tõendab toote vastavust EL direktiivile ja standarditele	<b>RUS</b>	следующим удостоверяется, что следующие продукты соответствуют директивам и нормам ЕС
<b>CZ</b>	vydává následující prohlášení o shodě podle směrnice EU a norem pro výrobek	<b>UKR</b>	проголошує про зазначену нижче відповідність виробу директивам та стандартам ЄС на виріб
<b>SLO</b>	potvrjuje sledečo skladnost s smernico EU in standardi za izdelek	<b>MK</b>	ја изјавува следната сообразност согласно ЕУ-директивата и нормите за артикли
<b>SK</b>	vydává nasledujúce prehlásenie o zhode podľa smernice EÚ a noriem pre výrobok	<b>TR</b>	Ürünü ile ilgili AB direktifleri ve normları gereğince aşağıda açıklanan uygunluğu belirtir
<b>H</b>	a cikkekhez az EU-irányvonal és Normák szerint a következő konformitást jelenti ki	<b>N</b>	erklærer følgende samsvar i henhold til EU-direktivet og standarder for artikkel
		<b>IS</b>	Lýsir uppfyllingu EU-reglna og annarra staðla vöru
<b>Kompressor PKO 400 B2 (Parkside)</b>			
<input checked="" type="checkbox"/> 87/404/EC_2009/105/EC	<input checked="" type="checkbox"/> 2006/42/EC		
<input type="checkbox"/> 2005/32/EC_2009/125/EC	<input type="checkbox"/> Annex IV	Notified Body: Notified Body No.: Reg. No.:	
<input type="checkbox"/> 2006/95/EC			
<input type="checkbox"/> 2006/28/EC	<input type="checkbox"/> 2000/14/EC_2005/88/EC		
<input checked="" type="checkbox"/> 2004/108/EC	<input type="checkbox"/> Annex V		
<input type="checkbox"/> 2004/22/EC	<input type="checkbox"/> Annex VI	Noise measured: L <sub>WA</sub> = dB (A); guaranteed L <sub>WA</sub> = dB (A)	
<input type="checkbox"/> 1999/5/EC		P = KW; L <sub>Ø</sub> = cm	
<input checked="" type="checkbox"/> 97/23/EC	<input type="checkbox"/> 2004/26/EC	Notified Body: Emission No.:	
<input type="checkbox"/> 90/396/EC_2009/142/EC			
<input type="checkbox"/> 89/686/EC_96/58/EC			
<input checked="" type="checkbox"/> 2011/65/EC			
<b>Standard references: EN 1012-1; EN 60204-1; EN 55014-1; EN 55014-2; EN 61000-3-2; EN 61000-3-11</b>			
Landau/Isar, den 25.03.2013	 Weichselgartner/General-Manager	 Yu Feng Qing/Product-Management	
<b>First CE: 13</b>	<b>Art.-No.:</b> 40.101.64 <b>I.-No.:</b> 11013	<b>Archive-File/Record:</b> NAPR007418	
<b>Subject to change without notice</b>		<b>Documents registrar:</b> Siegfried Roider Wiesenweg 22, D-94405 Landau/Isar	

### 13. Garantieurkunde

Sehr geehrte Kundin, sehr geehrter Kunde,  
unsere Produkte unterliegen einer strengen Qualitätskontrolle. Sollte dieses Gerät dennoch einmal nicht einwandfrei funktionieren, bedauern wir dies sehr und bitten Sie, sich an unseren Servicedienst unter der auf dieser Garantiekarte angegebenen Adresse zu wenden. Gern stehen wir Ihnen auch telefonisch über die unten angegebene Servicenummer zur Verfügung. Für die Geltendmachung von Garantieansprüchen gilt folgendes:

1. Diese Garantiebedingungen regeln zusätzliche Garantieleistungen. Ihre gesetzlichen Gewährleistungsansprüche werden von dieser Garantie nicht berührt. Unsere Garantieleistung ist für Sie kostenlos.
2. Die Garantieleistung erstreckt sich ausschließlich auf Mängel, die auf Material- oder Herstellungsfehler zurückzuführen sind und ist auf die Behebung dieser Mängel bzw. den Austausch des Gerätes beschränkt. Bitte beachten Sie, dass unsere Geräte bestimmungsgemäß nicht für den gewerblichen, handwerklichen oder industriellen Einsatz konstruiert wurden. Ein Garantievertrag kommt daher nicht zustande, wenn das Gerät in Gewerbe-, Handwerks- oder Industriebetrieben sowie bei gleichzusetzenden Tätigkeiten eingesetzt wird. Von unserer Garantie sind ferner Ersatzleistungen für Transportschäden, Schäden durch Nichtbeachtung der Montageanleitung oder aufgrund nicht fachgerechter Installation, Nichtbeachtung der Gebrauchsanleitung (wie durch z.B. Anschluss an eine falsche Netzspannung oder Stromart), missbräuchliche oder unsachgemäße Anwendungen (wie z.B. Überlastung des Gerätes oder Verwendung von nicht zugelassenen Einsatzwerkzeugen oder Zubehör), Nichtbeachtung der Wartungs- und Sicherheitsbestimmungen, Eindringen von Fremdkörpern in das Gerät (wie z.B. Sand, Steine oder Staub), Gewaltanwendung oder Fremdeinwirkungen (wie z. B. Schäden durch Herunterfallen) sowie durch verwendungsgemäßen, üblichen Verschleiß ausgeschlossen. Dies gilt insbesondere für Akkus, auf die wir dennoch eine Garantiezeit von 12 Monaten gewähren. Der Garantieanspruch erlischt, wenn an dem Gerät bereits Eingriffe vorgenommen wurden.
3. Die Garantiezeit beträgt 3 Jahre und beginnt mit dem Kaufdatum des Gerätes. Garantieansprüche sind vor Ablauf der Garantiezeit innerhalb von zwei Wochen, nachdem Sie den Defekt erkannt haben, geltend zu machen. Die Geltendmachung von Garantieansprüchen nach Ablauf der Garantiezeit ist ausgeschlossen. Die Reparatur oder der Austausch des Gerätes führt weder zu einer Verlängerung der Garantiezeit noch wird eine neue Garantiezeit durch diese Leistung für das Gerät oder für etwaige eingebaute Ersatzteile in Gang gesetzt. Dies gilt auch bei Einsatz eines Vor-Ort-Services.
4. Für die Geltendmachung Ihres Garantieanspruches übersenden Sie bitte das defekte Gerät portofrei an die unten angegebene Adresse. Fügen Sie den Verkaufsbeleg im Original oder einen sonstigen datierten Kaufnachweis bei. Bitte bewahren Sie deshalb den Kassenbon als Nachweis gut auf! Beschreiben Sie uns bitte den Reklamationsgrund möglichst genau. Ist der Defekt des Gerätes von unserer Garantieleistung erfasst, erhalten Sie umgehend ein repariertes oder neues Gerät zurück.

Selbstverständlich beheben wir gegen Erstattung der Kosten auch gerne Defekte am Gerät, die vom Garantiumfang nicht oder nicht mehr erfasst sind. Dazu senden Sie das Gerät bitte an unsere Serviceadresse.

**ISC GmbH • Eschenstraße 6 • 94405 Landau/Isar (Deutschland)**

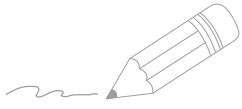
Telefon: +49 [0] 180 5 687 484 · Telefax +49 [0] 180 5 687 485

(Festnetzpreis: 14 ct/min, Mobilfunkpreise maximal: 42 ct/min)

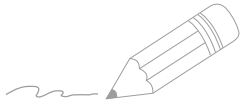
Außerhalb Deutschlands fallen stattdessen Gebühren für ein reguläres Gespräch ins dt. Festnetz an.

E-Mail: [Lidl@isc-gmbh.info](mailto:Lidl@isc-gmbh.info) · Internet: [www.isc-gmbh.info](http://www.isc-gmbh.info)

IAN 89566

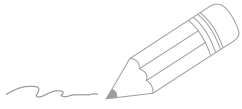


Handwriting practice lines consisting of 20 horizontal lines. The first two lines are connected to the pencil illustration.



Two horizontal lines are positioned to the right of the pencil illustration. Below these, the page contains 25 additional horizontal lines, providing a template for writing.





Two horizontal lines are positioned to the right of the pencil illustration. Below these, the page contains 20 additional horizontal lines, providing a total of 22 lines for writing or drawing.



IAN: 89566 PKO 400 B2

**Einhell Germany AG**

Wiesenweg 22

D-94405 Landau/Isar

Last Information Update · Stav informací · Stav informácií  
Stan informáci · Versiune informații · Stand der Informationen: 04/2013  
Ident.-No.: 40.101.64 042013 - PL CZ SK RO

IAN 89566

