

Einhell®

Original operating instructions
Cordless Grass Trimmer

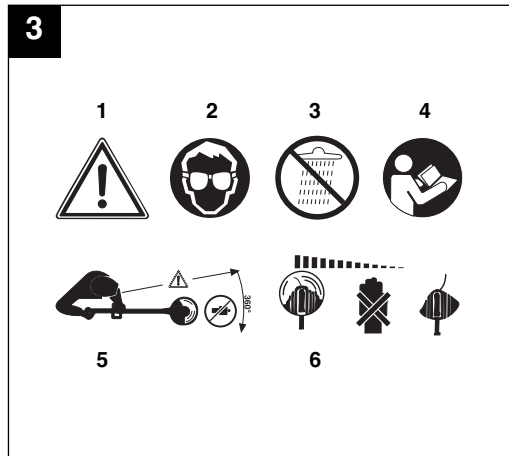
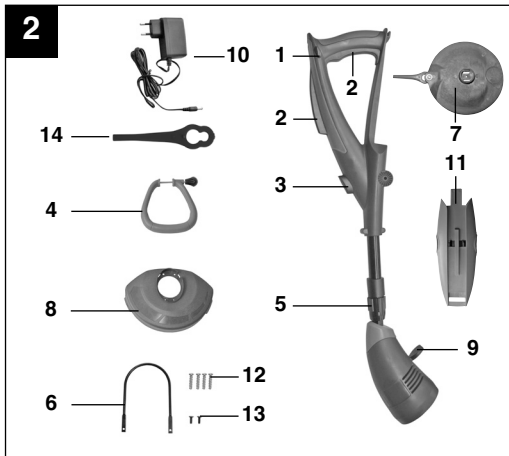
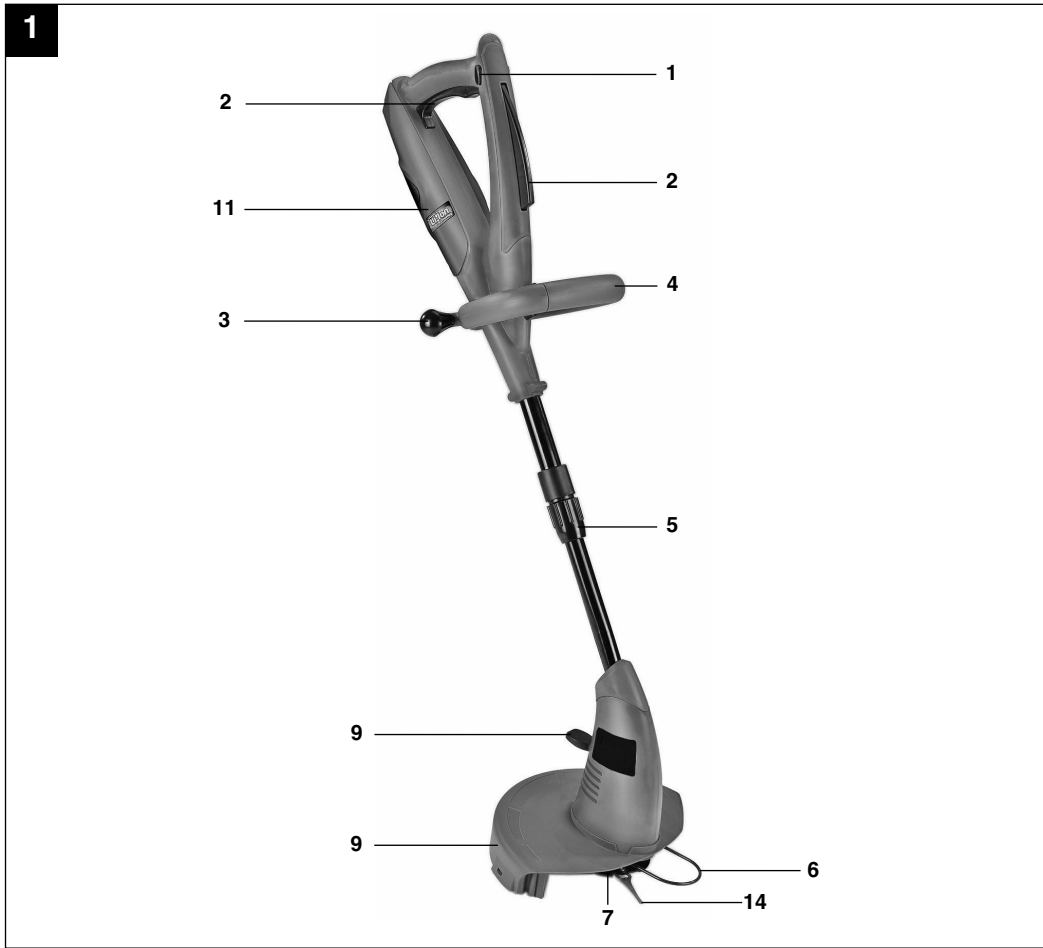
7

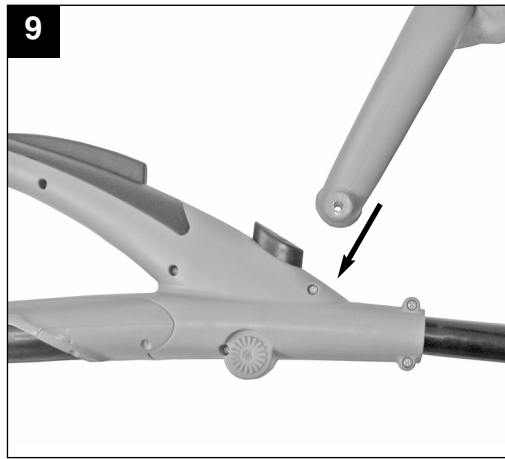
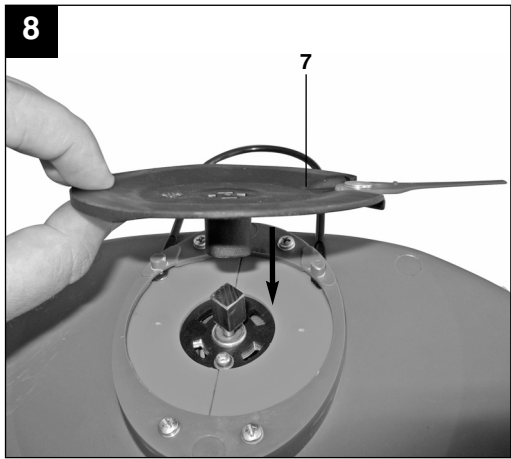
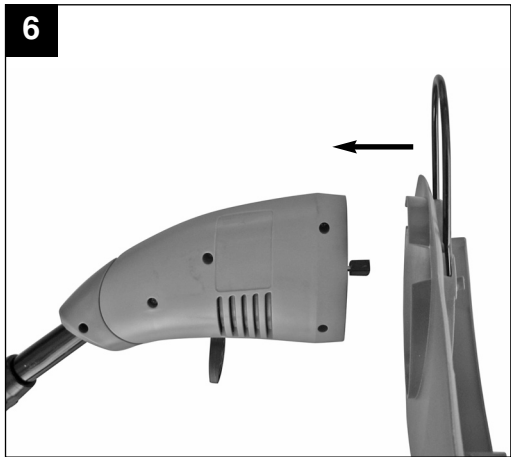
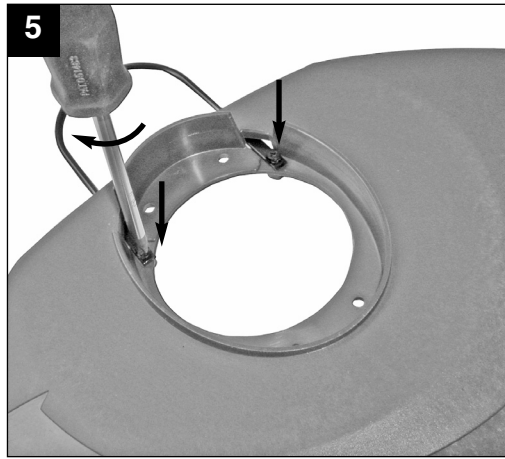
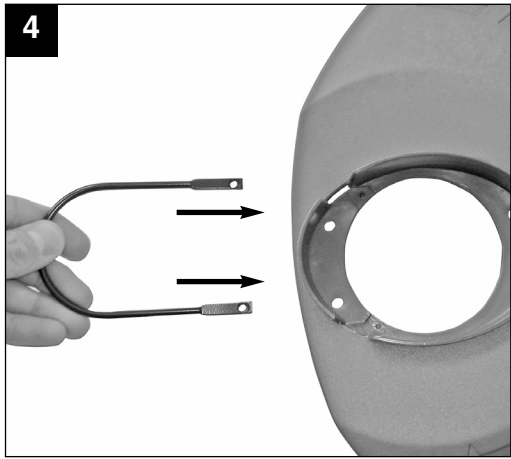
Art.-Nr.: 34.111.33

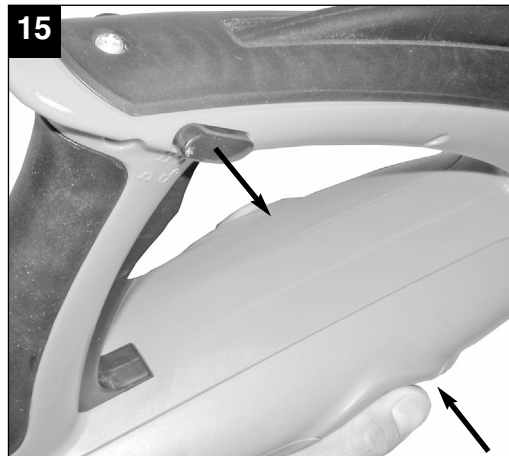
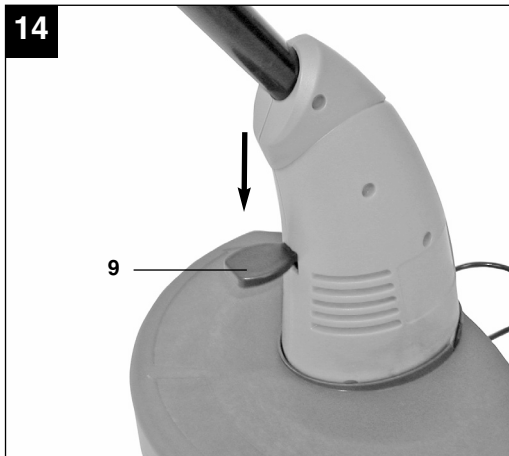
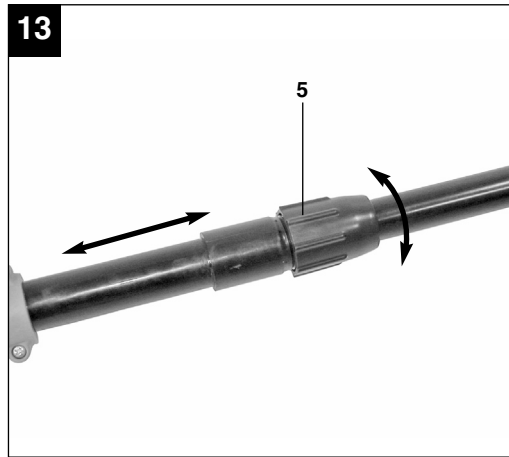
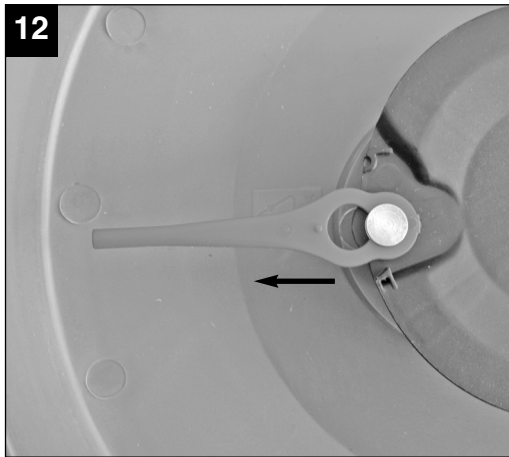
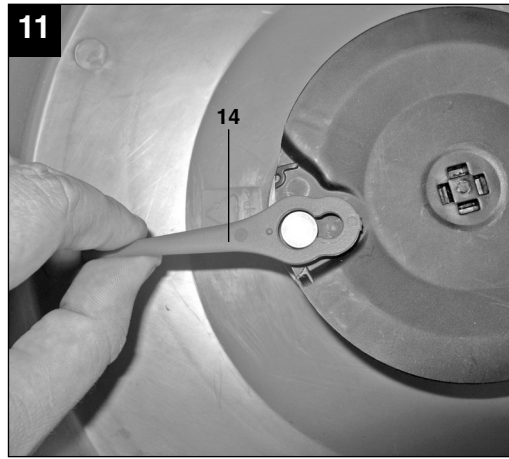
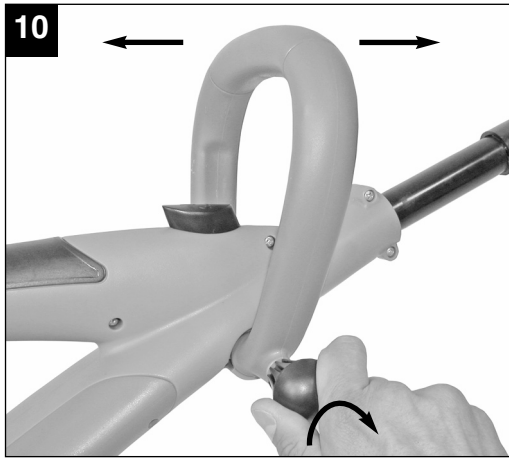
I.-Nr.: 11011 RG-CT **18 Li**

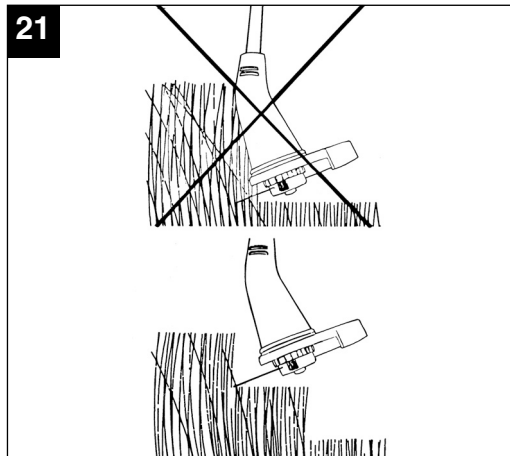
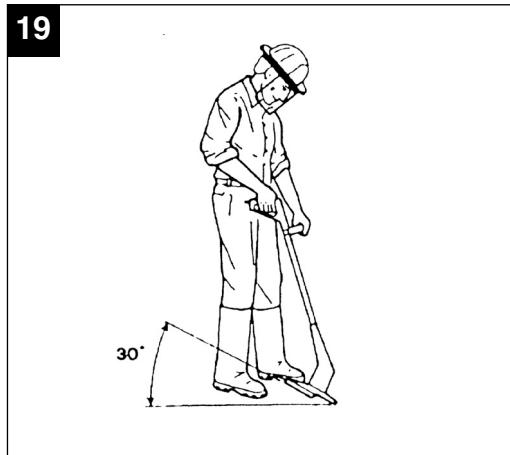
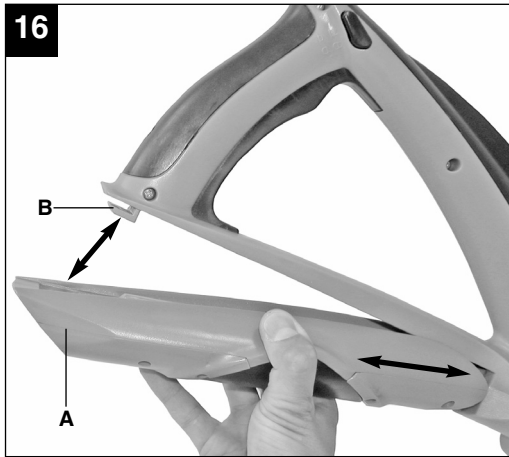


Ⓢ Read and follow the operating instructions and safety information before using for the first time.









⚠ Important!

When using equipment, a few safety precautions must be observed to avoid injuries and damage. Please read the complete operating manual with due care. Keep this manual in a safe place, so that the information is available at all times. If you give the equipment to any other person, give them these operating instructions as well. We accept no liability for damage or accidents which arise due to non-observance of these instructions and the safety information.

1. Safety information

Please refer to the booklet included in delivery for the safety instructions.

⚠ CAUTION!**Read all safety regulations and instructions.**

Any errors made in following the safety regulations and instructions may result in an electric shock, fire and/or serious injury.

Keep all safety regulations and instructions in a safe place for future use.**Explanation of the warning signs on the machine (Figure 3)**

- 1: Caution!
- 2: Wear safety goggles!
- 3: Protect from the damp!
- 4: Read the directions for use before putting into operation for the first time!
- 5: Keep third parties away from the danger zone!
- 6: The tool runs on after being switched off!

2. Layout (Fig. 1/2)

- 1 Safety lock-off
- 2 ON/OFF switch
- 3 Setting knob to turn the handle
- 4 Additional handle
- 5 Height adjustment bar
- 6 Edge guide
- 7 Thread spool
- 8 Safety hood
- 9 Pedal for angle adjustment
- 10 Battery charger
- 11 Battery
- 12 4 Securing screws for safety hood
- 13 2 Securing screws for edge guide
- 14 Blade

3. Proper use

The equipment is designed for cutting the edges of lawns and small areas of grass in private and hobby gardens.

Tools for private and hobby gardens are not suitable for use in public facilities, parks and sport centers, along roadways, on farms or in the forestry sector. For the tool to be used properly it is imperative to follow the instructions set out in the manufacturer's directions for use.

Important! It is prohibited to use the tool to chop material for composting because of the potential danger to persons and property.

The machine is to be used only for its prescribed purpose. Any other use is deemed to be a case of misuse. The user / operator and not the manufacturer will be liable for any damage or injuries of any kind caused as a result of this.

Please note that our equipment has not been designed for use in commercial, trade or industrial applications. Our warranty will be voided if the machine is used in commercial, trade or industrial businesses or for equivalent purposes.

Residual risks

Even when the equipment is used properly, a certain residual hazard cannot be ruled out. The following potential dangers may arise in connection with the equipment's design and construction:

- Reaching into the cutting tool while it is rotating (injuries through cutting)
- Catapulting of parts of the material being cut
- Damage to hearing if the compulsory hearing protection is not used
- Inhaling of particles of the material being cut

GB

4. Technical data

Speed n_0 :	8500 min ⁻¹
Cutting range:	24 cm diameter
Max. running period:	approx. 35 min
Sound power level L_{WA} :	94 dB(A)
Sound pressure level L_{pA} :	77 dB(A)
K uncertainty:	3 dB(A)
Replaceable NC battery:	18 V d.c./1400 mAh
Front handle vibration a_{hv} :	≤ 2.5 m/s ²
Rear handle vibration a_{hv} :	≤ 2.5 m/s ²
K uncertainty:	1.5 m/s ²
Weight	2.7 kg

Power supply unit:

Mains voltage:	230 V ~ 50 Hz
----------------	---------------

Output:

Rated voltage:	21 V d.c.
Rated current:	500 mA

The noise level of this machine may exceed 85 dB(A). In this case, noise protection is necessary for the user. The machine's noise was measured in accordance with prEN ISO 10518. The level of vibrations at the handle is < 2.5 m/s². Measurements were taken in accordance with prEN ISO 10518.

5. Before starting

5.1 Installing the safety hood (Fig. 4-7)

- Secure the edge guide to the safety hood (Fig. 4-5) using the two securing screws (Fig. 2/Item 13).
- Place the safety hood on the trimmer (Fig. 6) and secure to the trimmer (Fig. 7) it using the four securing screws (Fig. 2 / Item 12).

5.2 Installing the additional handle (Fig. 9-10)

Undo the securing screw from the handle and then place the handle on the main handle (Fig. 9) and secure it with the screw (Fig. 1).

5.3 Fitting the blade (Fig. 11-12)

Place the blade (Fig. 11/Item 14) with the larger opening over the mount (Fig. 11) and then pull tight in the direction of the arrow. Make sure the blade locks into place correctly as shown in Figure 12.

5.4 Height adjustment (Fig. 13)

Undo the union nut (Fig. 13/Item 5) until the grass trimmer handle can be moved in and out freely. Now set the required working height and secure the handle in this position by tightening the union nut again.

5.5 Adjusting the additional handle (Fig. 10)

Undo the securing screw on the additional handle until it can be moved forwards and backwards without any great resistance. Set the required position and tighten the securing screw again.

5.6 Adjusting the angle of the guide handle (Fig. 14)

Place the grass trimmer on a firm surface. Press the pedal for adjusting the angle from above using your foot (Fig. 14/Item 9). You can now set the handle to the required angle. Release the pedal and allow the handle to lock into position to fix the angle. Three different locking angles are possible.

5.7 Charging the battery (Fig. 15 – 17)

1. Take the battery pack out of the equipment. Press the locking buttons on the side to release the battery pack (Fig. 15-16).
2. Check that your mains voltage is the same as that marked on the rating plate of the battery charger. Connect the charger's power cable to a socket outlet and insert the plug (Fig. 17/Item C) into the charging jack of the battery pack. The red LED indicates the charging process.
3. The charger will end the charging process automatically when the battery is fully charged (after approx. 3-5 h). The green LED will come on.

The rechargeable battery can become a little warm during the charging process. This is normal.

When you insert the battery again ensure that it locks securely in the mounting Fig. 16 /Item B) with the opening at the rear (Fig. 16 / Item A).

If the battery pack fails to charge, please check

- whether there is voltage at the socket-outlet
- whether there is good contact at the charging contacts

If the battery pack still fails to charge, send

- the battery charger with charging adapter
 - and the battery pack
- to our customer services department.

To ensure that the NC battery pack provides long service you should take care to recharge it promptly. Recharging is always necessary when you notice a drop in the performance of your cordless grass trimmer.

Never fully discharge the battery pack. This will cause it to develop a defect.

6. Operation

Your grass trimmer will work at its best if you observe the following instructions:

- Never use the grass trimmer without its safety devices.
- Do not cut grass when it is wet. The best results are had on dry grass.
- To switch on your grass trimmer, press the safety lock-off and the ON/OFF switch (Fig.1/Pos. 2).
- To switch off your grass trimmer, let go of the ON/OFF switch (Fig. 1/Pos. 2).
- Do not move the grass trimmer against the grass until the switch is pressed, i.e. wait until the trimmer is running.
- For the correct cutting action, swing the grass trimmer to the side as you walk forward, holding it at an angle of approx. 30° as you do so (see Figure 19-20).
- Make several passes to cut long grass shorter step by step from the top (see Figure 21).
- Use the guard hood to prevent unnecessary wear.
- To avoid unnecessary wear, keep the grass trimmer away from hard objects.

Using the grass trimmer as an edge trimmer

The grass trimmer can be adjusted as follows to trim the edge of lawns and beds.

- Remove the battery (Fig. 15 + 16)
- Press the setting knob (Fig. 10 / Item A)
- Press and hold the setting knob and turn the top handle through 180° until it locks.
- The grass trimmer can thus be adjusted for use as an edge trimmer for making vertical cuts on the grass (Fig. 18).

7. Cleaning, maintenance and ordering of spare parts

Before putting away or cleaning the grass trimmer, pull out the battery pack (Fig. 15 and 16).

7.1 Cleaning

- Keep all safety devices, air vents and the motor housing free of dirt and dust as far as possible. Wipe the equipment with a clean cloth or blow it with compressed air at low pressure.
- We recommend that you clean the device immediately each time you have finished using it.
- Clean the equipment regularly with a moist cloth and some soft soap. Do not use cleaning agents or solvents; these could attack the plastic parts of the equipment. Ensure that no water can seep into the device.
- Remove deposits from the guard hood with a brush.

7.2 Replacing the blade (Fig. 11+12)

IMPORTANT! Make sure that you remove the battery pack before replacing the blade (Fig. 15-16).

- To remove the blade, push the blade inwards and remove via the larger opening as shown in Figure 11.
- To fit the new blade, proceed in reverse order. Make sure the blade locks into place correctly as shown in Figure 12.

7.3 Maintenance

There are no parts inside the equipment which require additional maintenance.

7.4 Ordering replacement parts:

Please quote the following data when ordering replacement parts:

- Type of machine
 - Article number of the machine
 - Identification number of the machine
 - Replacement part number of the part required
- For our latest prices and information please go to www.einhell.com.au

GB

8. Disposal and recycling

The unit is supplied in packaging to prevent its being damaged in transit. This packaging is raw material and can therefore be reused or can be returned to the raw material system.

The unit and its accessories are made of various types of material, such as metal and plastic. Defective components must be disposed of as special waste. Ask your dealer or your local council.

9. Faults

The device does not operate:

Check whether the rechargeable battery is charged and whether the battery charger works. If the device still does not work even with a voltage supply, please send it to our customer services department at the address indicated.

The guarantee provided in this Guarantee Certificate is given by Einhell Australia Pty Limited
ACN 134 632 858 of 6/166 Wellington Street, Collingwood, Victoria (Telephone number 1300 922 271)
(Einhell Express Guarantee).

GUARANTEE CERTIFICATE

Dear Customer,

All of our products undergo strict quality checks. In the unlikely event that your device develops a fault, please contact our service department at the address shown on this guarantee certificate. Of course, if you would prefer to call us then we are also happy to offer our assistance under the service number printed below. Please note the following terms under which claims under the Einhell Express Guarantee can be made:

1. The benefits conferred by the Einhell Express Guarantee are in addition to all rights and remedies which you may be entitled to under the Australian Consumer Law, and any other statutory rights you may have under other applicable laws. This Einhell Express Guarantee does not exclude, restrict or modify any such rights or remedies.

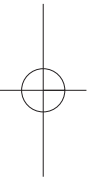
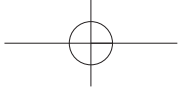
We do not charge you for the Einhell Express Guarantee.

2. Our goods come with guarantees that cannot be excluded under the Australian Consumer Law. You are entitled to a replacement or refund for a major failure and for compensation for any other reasonably foreseeable loss or damage. You are also entitled to have the goods repaired or replaced if the goods fail to be of acceptable quality and the failure does not amount to a major failure.
3. The Einhell Express Guarantee only covers problems caused by material or manufacturing defects, and our liability under the Einhell Express Guarantee is limited, at our discretion, to the rectification of these defects or replacement of the product. Please note that the product has not been designed for use in commercial, trade or industrial applications. Consequently, the Einhell Express Guarantee will not apply if the product is used in commercial, trade or industrial applications or for other equivalent activities.
4. The following are also excluded from the Einhell Express Guarantee: compensation for transport damage, damage caused by failure to comply with the installation/assembly instructions or damage caused by unprofessional installation, failure to comply with the operating instructions (e.g. connection to the wrong mains voltage or current type), misuse or inappropriate use (such as overloading of the product or use of non-approved tools or accessories), failure to comply with the maintenance and safety regulations, ingress of foreign bodies into the product (e.g. sand, stones or dust), effects of force or external influences (e.g. damage caused by the product being dropped) and normal wear resulting from proper operation of the product. The Einhell Express Guarantee will also not apply if any attempt is made to tamper with the product.
5. The Einhell Express Guarantee is valid for a period of 2 years starting from the purchase date of the product. Claims made under the Einhell Express Guarantee should be submitted before the end of this guarantee period and within two weeks of the defect being noticed. No claims under the Einhell Express Guarantee will be accepted if submitted after the end of this guarantee period. The original guarantee period remains applicable to the device even if repairs are carried out or parts are replaced. In such cases, the work performed or parts fitted will not result in an extension of the guarantee period for the Einhell Express Guarantee, and the Einhell Express Guarantee will not apply for the work performed or parts fitted. This also applies when an on-site service is used.
6. To make a claim under the Einhell Express Guarantee, please send the relevant product postage-free to the address shown below and enclose either the original or a copy of your sales receipt or another dated proof of purchase. It would help us if you could describe the nature of the problem in as much detail as possible. If the defect is covered by the Einhell Express Guarantee, your product will be repaired immediately and returned to you, or we will send you a new device (at our election).

Any costs incurred by you in making a claim under this Einhell Express Guarantee, unless specified otherwise in this guarantee certificate, must be borne by you.

Of course, we are also happy to offer a chargeable repair service for any defects which are not covered by the scope of the Einhell Express Guarantee or for products which are no longer covered by the Einhell Express Guarantee. To take advantage of this service, please send the product to our service address.

EINHELL AUSTRALIA PTY LTD
6/166 Wellington Street
Collingwood VIC 3066
Australia
Phone: 1300 922 271



EH 04/2012 (02)

