

Original operating instructions
Multifunction Tool

Einhell®

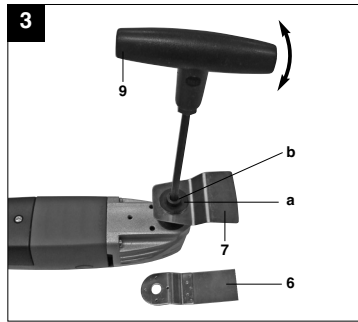
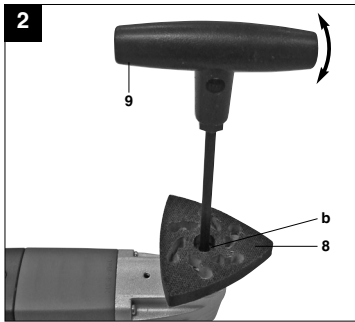
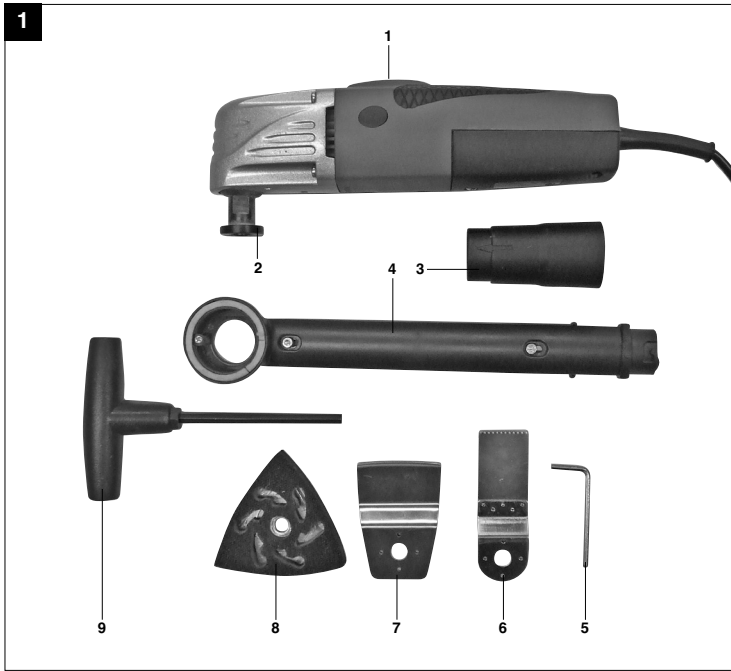
7

CE

Art.-Nr.: 44.650.03

I.-Nr.: 01019

BT-MG **180 Kit**



2

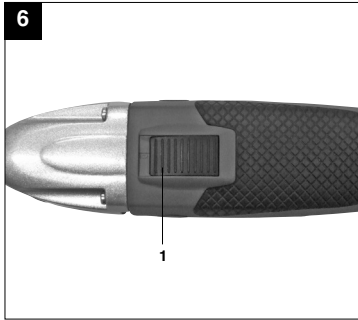
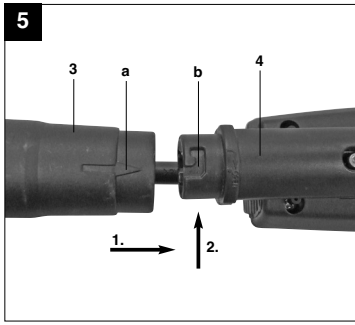
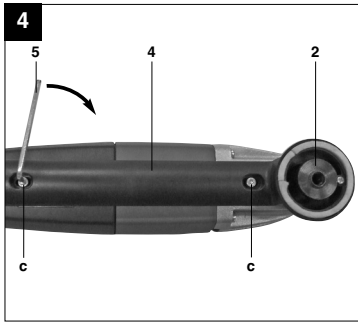




Table of contents

1. Safety regulations
2. Layout
3. Supplied package
4. Intended use
5. Technical data
6. Before starting the equipment
7. Starting up
8. Replacing the power cable
9. Cleaning, maintenance and ordering of spare parts
10. Disposal and recycling



"Caution - Read the operating instructions to reduce the risk of injury"



Wear ear-muffs.
The impact of noise can cause damage to hearing.



Wear a breathing mask.
Dust which is injurious to health can be generated when working on wood and other materials.
Never use the device to work on any materials containing asbestos!



Wear safety goggles.
Sparks generated during working or splinters, chips and dust emitted by the device can cause loss of sight.

GB**⚠ Important!**

When using equipment, a few safety precautions must be observed to avoid injuries and damage. Please read the complete operating manual with due care. Keep this manual in a safe place, so that the information is available at all times. If you give the equipment to any other person, give them these operating instructions as well.
We accept no liability for damage or accidents which arise due to non-observance of these instructions and the safety information.

1. Safety regulations

The corresponding safety information can be found in the enclosed booklet.

⚠ CAUTION!**Read all safety regulations and instructions.**

Any errors made in following the safety regulations and instructions may result in an electric shock, fire and/or serious injury.

Keep all safety regulations and instructions in a safe place for future use.

2. Layout (Fig. 1)

1. ON/OFF switch
2. Tool mounting
3. Dust extractor adapter
4. Dust extraction device
5. Allen key
6. Saw blade
7. Scraper
8. Triangular sanding/grinding plate
9. Allen key for changing tools

3. Supplied package

- Multifunction Tool
- Dust extractor adapter
- Dust extractor device
- Allen key
- Saw blade
- Scraper
- Triangular sanding/grinding plate
- Allen key for changing tools
- 12x sanding paper (6x wood / 6x metal)


4. Proper use

The equipment is designed for the sanding/grinding of wood, iron, plastic and similar materials using the appropriate sanding/grinding paper. Furthermore, the equipment is intended for sawing wood, plastic and similar materials, as well as scraping off glued carpets, filling compound residues, old paint and similar applications.

The equipment is to be used only for its prescribed purpose. Any other use is deemed to be a case of misuse. The user / operator and not the manufacturer will be liable for any damage or injuries of any kind caused as a result of this.

Please note that our equipment has not been designed for use in commercial, trade or industrial applications. Our warranty will be voided if the machine is used in commercial, trade or industrial businesses or for equivalent purposes.

5. Technical data

| | |
|--------------------|--|
| Mains voltage: | 230 V ~ 50 Hz |
| Power input: | 180 W |
| Idling speed: | 21000 rpm |
| Oscillation angle: | 3° |
| Protection class: | II /  |
| Weight: | 1.3 kg |

Sound and vibration

Sound and vibration values were measured in accordance with EN 60745.

| | |
|-------------------------------|-------------|
| L_{pA} sound pressure level | 89.6 dB(A) |
| K_{pA} uncertainty | 3 dB |
| L_{WA} sound power level | 100.6 dB(A) |
| K_{WA} uncertainty | 3 dB |

Wear ear-muffs.

The impact of noise can cause damage to hearing.

Total vibration values (vector sum of three directions) determined in accordance with EN 60745.

Handle

Vibration emission value $a_{rh} = 3.516 \text{ m/s}^2$
 K uncertainty = 1.5 m/s^2

⚠ Important!

The vibration value changes according to the area of application of the electric tool and may exceed the specified value in exceptional circumstances.

Keep the noise emissions and vibrations to a minimum.

- Only use appliances which are in perfect working order.
- Service and clean the appliance regularly.
- Adapt your working style to suit the appliance.
- Do not overload the appliance.
- Have the appliance serviced whenever necessary.
- Switch the appliance off when it is not in use.
- Wear protective gloves.

6. Before starting the equipment

- Before you connect the equipment to the mains supply make sure that the data on the rating plate are identical to the mains data.
- Always pull the power plug before making adjustments to the equipment.

6.1 Fitting the plug-in tools (Figures 1/2/3)

- To fit the plug-in tools safely you should hold the multifunction tool so that the ON/OFF switch (1) points down and the tool mounting (2) faces up.
- Place the plug-in tool (e.g. the triangular sanding/grinding plate) on the tool mounting (2) so that the pins of the tool mounting (2) fit into the recesses in the plug-in tool.
- Secure the plug-in tool using the supplied screw (b) and tighten the screw securely with the Allen key (9).
- Make sure that the washer (a) is used for the screw (b) only in connection with the saw blade and the scraper (see Figure 3). In this case the corrugated face of the washer must be placed against the plug-in tool.

Check that the plug-in tool is secure.**6.2 Triangular sanding/grinding plate**

Fit the triangular sanding/grinding plate to use the equipment as a delta sander/grinder.

6.2.1 Fastening the sanding/grinding paper

The Velcro fastener enables easy changing of sanding/grinding paper. Make sure that the vacuum extraction holes on the sanding/grinding paper and the sanding/grinding disk are aligned.

6.3 Fitting the dust extraction device (Fig. 4/5)

The dust extraction system prevents the accumulation of dirt and high dust loads in the air, and it makes it easier to dispose of the dust.

- Place the equipment in a stable position as shown in 6.1.
- Fit the dust extraction device (4) with the tool mounting (2) positioned as shown in Figure 4.
- Use the Allen key (5) to secure the screws (c) in the holes provided.
- Connect the extractor adapter (3) to the dust extraction device (4). Make sure that the arrow (a) on the extractor device coincides with the recess (b) on the dust extraction device (4) (see Fig. 5). Turn the extractor adapter (3) anti-clockwise until it engages..
- Connect your tool to an extraction unit or vacuum cleaner. This will provide excellent extraction of chips and dust from the workpiece.

The benefits are that you will protect both the equipment and your own health. Your work area will also be clean and safe.

7. Starting up (Fig. 6)**7.1 Switching on/off**

Slide the switch (1) forwards to switch on the equipment.

7.2 Practical tips

- Switch on the equipment.
- Work away from the body.
- Never move your hands into the direct vicinity of the work area.
- Use only plug-in tools which are in good working order and undamaged.

7.2.1 Plug-in tools

Sawing: Sawing wood and plastic.

Notes on working practice: When sawing, watch out for foreign bodies in the workpiece and remove these if necessary. Plunge cutting is allowed only in soft materials such as wood or plasterboard.

GB

Sanding/grinding: Surface sanding/grinding at edges, in corners or hard-to-reach areas. Depending on choice of sanding/grinding paper for the sanding/grinding of wood, paint, lacquer, etc.

Notes on working practice: This equipment offers particularly high performance for the sanding/grinding of hard-to-reach corners and edges. To sand/grind profiles and channels you can also work with just the tip or the edge of the sanding/grinding disk. Various sanding/grinding papers are available, specially designed for the different types of material you may be working on and the amount you wish to remove from the surface. The amount removed will depend largely on the choice of sanding/grinding paper and pressure applied to the sanding/grinding disk.

Scraping: Scraping off old paint or adhesives.

Notes on working practice: Move the plug-in tool against the area you want to remove. Begin with a flat angle of incidence and little pressure. The surface (e.g. wood, plaster) may be damaged if too much pressure is used.

8. Replacing the power cable

If the power cable for this equipment is damaged, it must be replaced by the manufacturer or its after-sales service or similarly trained personnel to avoid danger.

9. Cleaning, maintenance and ordering of spare parts

Always pull out the mains power plug before starting any cleaning work.

9.1 Cleaning

- Keep all safety devices, air vents and the motor housing free of dirt and dust as far as possible. Wipe the equipment with a clean cloth or blow it with compressed air at low pressure.
- We recommend that you clean the device immediately each time you have finished using it.
- Clean the equipment regularly with a moist cloth and some soft soap. Do not use cleaning agents or solvents; these could attack the plastic parts of the equipment. Ensure that no water can seep into the device.

9.2 Carbon brushes

In case of excessive sparking, have the carbon brushes checked only by a qualified electrician. Important! The carbon brushes should not be replaced by anyone but a qualified electrician.

9.3 Maintenance

There are no parts inside the equipment which require additional maintenance.

9.4 Ordering replacement parts:

Please quote the following data when ordering replacement parts:

- Type of machine
- Article number of the machine
- Identification number of the machine
- Replacement part number of the part required

For our latest prices and information please go to www.isc-gmbh.info

10. Disposal and recycling

The unit is supplied in packaging to prevent its being damaged in transit. This packaging is raw material and can therefore be reused or can be returned to the raw material system.

The unit and its accessories are made of various types of material, such as metal and plastic. Defective components must be disposed of as special waste. Ask your dealer or your local council.

ISC GmbH · Eschenstraße 6 · D-94405 Landau/lsar



Konformitätserklärung

- Ⓔ erklart folgende Konformitat gemaß EU-Richtlinie und Normen fur Artikel
- Ⓔ explains the following conformity according to EU directives and norms for the following product
- Ⓔ declare la conformite suivante selon la directive CE et les normes concernant l'article
- Ⓔ dichiara la seguente conformita secondo la direttiva UE e le norme per l'articolo
- Ⓔ verklaart de volgende overeenstemming conform EU richtlijn en normen voor het product
- Ⓔ declara la siguiente conformidad a tenor de la directiva y normas de la UE para el artculo
- Ⓔ declara a seguinte conformidade, de acordo com a directiva CE e normas para o artigo
- Ⓔ attesterer følgende overensstemmelse i medfor af EU-direktiv samt standarder for artiklet
- Ⓔ forklarar foljande overensstammelse enl. EU-direktiv och standarder for artikeln
- Ⓔ vakuuttaa, etta tuote tayttaa EU-direktiivin ja standardien vaatimukset
- Ⓔ toendab toote vastavust EL direktiivile ja standarditele
- Ⓔ vydava nasledujici prohlašení o shode podle smernice EU a norm pro vyrobek
- Ⓔ potvrjuje sledeo skladnost s smernico EU in standardi za izdelek
- Ⓔ vydava nasledujuce prehlasenie o zhode podl'a smernice EU a noriem pre vyrobok
- Ⓔ a cikkekhöz az EU-iranyvonal es Normk szerint a kovetkezo konformitast jelenti ki
- Ⓔ deklaruje zgodnose wymienionego ponizej artykulu z nastepujacymi normami na podstawie dyrektywy WE.
- Ⓔ декларира съответното съответствие съгласно Директива на ЕС и норми за артикул
- Ⓔ raskaidro šadu atbilstību ES direktīvai un standartiem
- Ⓔ apibūdzina ši atbilstīga EU reikalavimams ir prekės normoms
- Ⓔ deklara urmatoarea conformitate conform directivei UE și normelor pentru articolul
- Ⓔ δηλώνει την ακόλουθη συμμόρφωση σύμφωνα με την Οδηγία ΕΚ και τα πρότυπα για το προϊόν
- Ⓔ potvrđuje sljedeću usklađenost prema smjernicama EU i normama za artikl
- Ⓔ potvrđuje sljedeću usklađenost prema smjernicama EU i normama za artikl
- Ⓔ potvrđuje sledeću usklađenost prema smernicama EZ i normama za artikla
- Ⓔ следующим удостоверяется, что следующие продукты соответствуют директивам и нормам ЕС
- Ⓔ проголошує про зазначену нижче відповідність виробу директивам та стандартам ЄС на виріб
- Ⓔ ja izjavuwa slednata soobraznost soglasno EU-direktivam i normam za artikli
- Ⓔ urunu ile ilgili AB direktifleri ve normlan gereğince ařağıda aıklanan uygunluęu belirtir
- Ⓔ erklerer følgende samsvar i henhold til EU-direktiv og standarder for artikket
- Ⓔ Lysir uppfyllingu EU-reglna og annarra stađla voru

Multifunction Tool BT-MG 180 Kit

- | | |
|---|---|
| <input checked="" type="checkbox"/> 2006/95/EC | <input checked="" type="checkbox"/> 2006/42/EC |
| <input type="checkbox"/> 2005/32/EC | <input checked="" type="checkbox"/> 98/37/EC |
| <input checked="" type="checkbox"/> 2004/108/EC | <input type="checkbox"/> Annex IV |
| <input type="checkbox"/> 2004/22/EC | Notified Body: Notified Body No.: Reg. No.: |
| <input type="checkbox"/> 1999/5/EC | <input type="checkbox"/> 2000/14/EC_2005/88/EC |
| <input type="checkbox"/> 97/23/EC | <input type="checkbox"/> Annex V |
| <input type="checkbox"/> 95/54/EC | <input type="checkbox"/> Annex VI |
| <input type="checkbox"/> 90/396/EC | Noise: measured L _{WA} = dB (A); guaranteed L _{WA} = dB (A) |
| <input type="checkbox"/> 89/686/EC_96/58/EC | P = KW; L/Q = cm |
| <input type="checkbox"/> 87/404/EC | Notified Body: <input type="checkbox"/> 97/68/EC Emission No.: |

Standard references: EN 14121; EN 60745-1; EN 60745-2-4; EN 55014-1; EN 55014-2; EN 61000-3-2; EN 61000-3-3

Landau/lsar, den 30.04.2009

[Signature]
Weichselgartner/General Manager

[Signature]
Unger/Product-Management

First CE: 08
Art.-No.: 44.650.03 I.-No.: 01019
Subject to change without notice

Archive-File/Record: 4465000-39-4155050-08
Documents registrar: Daniel Protschka
Wiesenweg 22, D-94405 Landau/lsar



Ⓢ For EU countries only

Never place any electric tools in your household refuse.

To comply with European Directive 2002/96/EC concerning old electric and electronic equipment and its implementation in national laws, old electric tools have to be separated from other waste and disposed of in an environment-friendly fashion, e.g. by taking to a recycling depot.

Recycling alternative to the demand to return electrical devices:

As an alternative to returning the electrical device, the owner is obliged to cooperate in ensuring that the device is properly recycled if ownership is relinquished. This can also be done by handing over the used device to a returns center, which will dispose of it in accordance with national commercial and industrial waste management legislation. This does not apply to the accessories and auxiliary equipment without any electrical components which are included with the used device.

Ⓢ The reprinting or reproduction by any other means, in whole or in part, of documentation and papers accompanying products is permitted only with the express consent of ISC GmbH.

Ⓢ Technical changes subject to change

GUARANTEE CERTIFICATE

Dear Customer,

All of our products undergo strict quality checks to ensure that they reach you in perfect condition. In the unlikely event that your device develops a fault, please contact our service department at the address shown on this guarantee card. Of course, if you would prefer to call us then we are also happy to offer our assistance under the service number printed below. Please note the following terms under which guarantee claims can be made:

1. These guarantee terms cover additional guarantee rights and do not affect your statutory warranty rights. We do not charge you for this guarantee.
2. Our guarantee only covers problems caused by material or manufacturing defects, and it is restricted to the rectification of these defects or replacement of the device. Please note that our devices have not been designed for use in commercial, trade or industrial applications. Consequently, the guarantee is invalidated if the equipment is used in commercial, trade or industrial applications or for other equivalent activities. The following are also excluded from our guarantee: compensation for transport damage, damage caused by failure to comply with the installation/assembly instructions or damage caused by unprofessional installation, failure to comply with the operating instructions (e.g. connection to the wrong mains voltage or current type), misuse or inappropriate use (such as overloading of the device or use of non-approved tools or accessories), failure to comply with the maintenance and safety regulations, ingress of foreign bodies into the device (e.g. sand, stones or dust), effects of force or external influences (e.g. damage caused by the device being dropped) and normal wear resulting from proper operation of the device. This applies in particular to rechargeable batteries for which we nevertheless issue a guarantee period of 12 months.

The guarantee is rendered null and void if any attempt is made to tamper with the device.
3. The guarantee is valid for a period of 2 years starting from the purchase date of the device. Guarantee claims should be submitted before the end of the guarantee period within two weeks of the defect being noticed. No guarantee claims will be accepted after the end of the guarantee period. The original guarantee period remains applicable to the device even if repairs are carried out or parts are replaced. In such cases, the work performed or parts fitted will not result in an extension of the guarantee period, and no new guarantee will become active for the work performed or parts fitted. This also applies when an on-site service is used.
4. In order to assert your guarantee claim, please send your defective device postage-free to the address shown below. Please enclose either the original or a copy of your sales receipt or another dated proof of purchase. Please keep your sales receipt in a safe place, as it is your proof of purchase. It would help us if you could describe the nature of the problem in as much detail as possible. If the defect is covered by our guarantee then your device will either be repaired immediately and returned to you, or we will send you a new device.

Of course, we are also happy offer a chargeable repair service for any defects which are not covered by the scope of this guarantee or for units which are no longer covered. To take advantage of this service, please send the device to our service address.



EH05/2009 (01)

