

Original operating instructions
Demolition Hammer

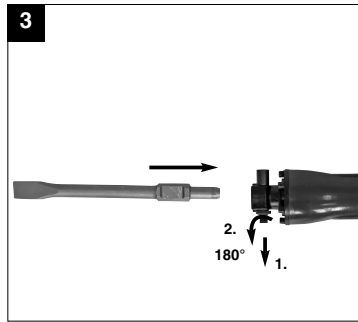
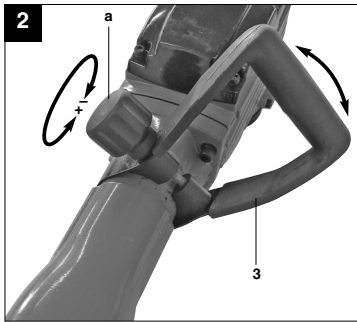
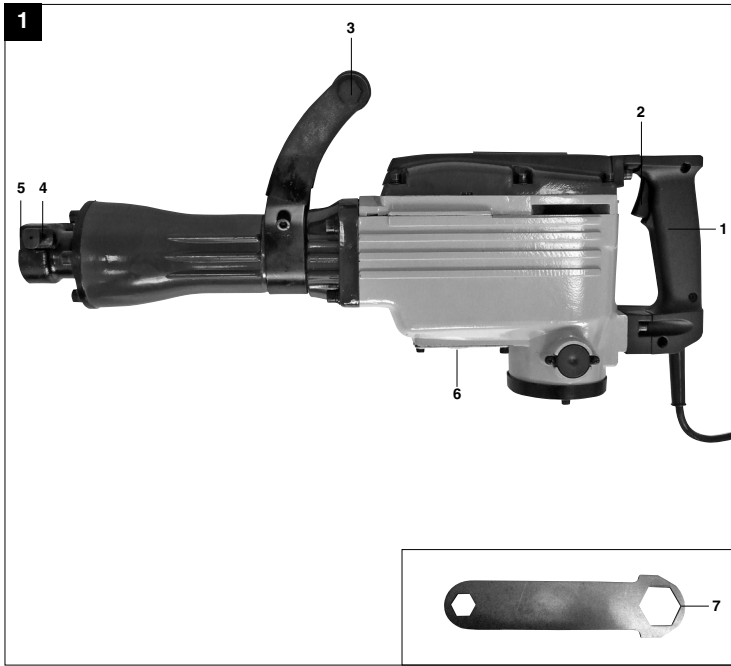
Einhell®

1

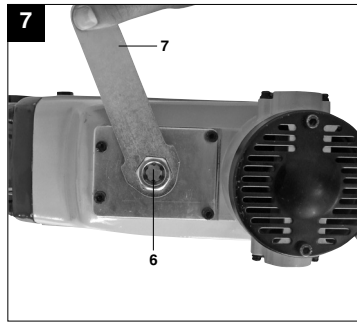
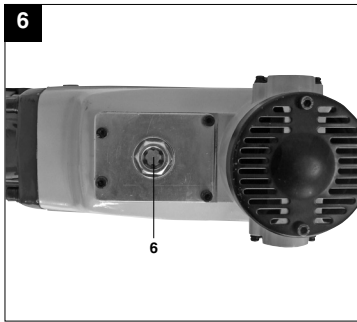
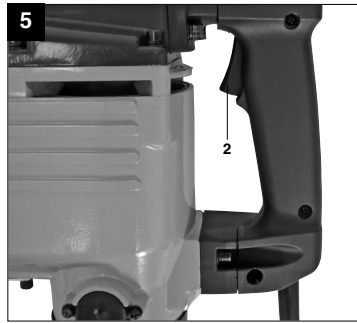
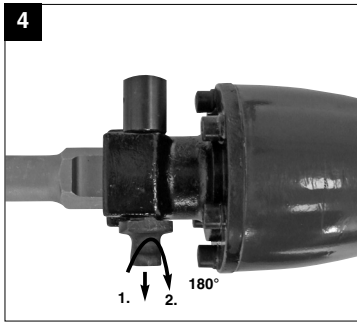
Art.-Nr.: 41.390.74

I.-Nr.: 11011

BT-DH 1600



2



GB



"Caution - Read the operating instructions to reduce the risk of injury"



Wear ear-muffs.
The impact of noise can cause damage to hearing.



Wear a breathing mask.
Dust which is injurious to health can be generated when working on wood and other materials.
Never use the device to work on any materials containing asbestos!



Wear safety goggles.
Sparks generated during working or splinters, chips and dust emitted by the device can cause loss of sight.

**⚠ Important!**

When using equipment, a few safety precautions must be observed to avoid injuries and damage. Please read the complete operating manual with due care. Keep this manual in a safe place, so that the information is available at all times. If you give the equipment to any other person, give them these operating instructions as well.
We accept no liability for damage or accidents which arise due to non-observance of these instructions and the safety information.

1. Safety regulations

The corresponding safety information can be found in the enclosed booklet.

⚠ CAUTION!**Read all safety regulations and instructions.**

Any errors made in following the safety regulations and instructions may result in an electric shock, fire and/or serious injury.

Keep all safety regulations and instructions in a safe place for future use.

2. Layout (Fig. 1)

1. Handle
2. ON/OFF switch
3. Additional handle
4. Locking bolt
5. Tool chuck
6. Inspection window / Oil filler opening
7. Wrench

3. Proper use

This machine is designed for heavy duty demolition and chiseling work using the appropriate chisel.

The equipment is to be used only for its prescribed purpose. Any other use is deemed to be a case of misuse. The user / operator and not the manufacturer will be liable for any damage or injuries of any kind caused as a result of this.

Please note that our equipment has not been designed for use in commercial, trade or industrial applications. Our warranty will be voided if the machine is used in commercial, trade or industrial businesses or for equivalent purposes.

4. Technical data

Mains voltage:	230 V ~ 50 Hz
Power input:	1600 W
Blow rate:	1500 rpm
Protection class:	II /
Weight:	14.7 kg

Sound and vibration

Sound and vibration values were measured in accordance with EN 60745.

L_{pA} sound pressure level	86 dB(A)
K_{pA} uncertainty	3 dB
L_{WA} sound power level	104 dB(A)
K_{WA} uncertainty	1.54 dB

Wear ear-muffs.

The impact of noise can cause damage to hearing.

Total vibration values (vector sum of three directions) determined in accordance with EN 60745.

Chiseling

Vibration emission value $a_h = 18.6 \text{ m/s}^2$

K uncertainty = 1.5 m/s^2

⚠ Important!

The vibration value changes according to the area of application of the electric tool and may exceed the specified value in exceptional circumstances.

Keep the noise emissions and vibrations to a minimum.

- Only use appliances which are in perfect working order.
- Service and clean the appliance regularly.
- Adapt your working style to suit the appliance.
- Do not overload the appliance.
- Have the appliance serviced whenever necessary.
- Switch the appliance off when it is not in use.
- Wear protective gloves

GB

5. Before starting the equipment

Before you connect the equipment to the mains supply make sure that the data on the rating plate are identical to the mains data.

Always pull the power plug before making adjustments to the equipment.

Check the drilling point for concealed electrical cables, gas and water pipes using a cable/pipe detector.

5.1 Additional handle (Fig. 2 / Item 3)

For safety reasons you must only use the demolition hammer with the additional handle.

The additional handle (3) enables you to achieve better stability whilst using the demolition hammer. The additional handle (3) can be turned into any required position. Undo the screw (a) by turning it in the "+" direction. Now turn the additional handle (3) into the most comfortable working position for yourself and then tighten the screw (a) again by turning it in the "-" direction.

5.2 Inserting the tool (Fig. 3-4)

- Clean the tool before fitting it and apply a thin coating of grease to the tool shaft.
- Pull out the locking bolt (4) as far as possible, turn it through 180° and release it.
- Insert the tool into the tool mounting (5) and push it in as far as possible. (see Fig. 3)
- Pull out the locking bolt (4) again, turn it through 180° in the opposite direction and release it.
- Check the lock by pulling the tool.

5.3 Removing the tool

To remove the tool, proceed in reverse order.

6. Starting up

Important.

To avoid danger, the machine must only be held using the two handles (1/3). Otherwise you may suffer an electric shock if you chisel into cables.

6.1 Switching on and off (Fig. 5)

To switch on:

Press the control switch (2).

To switch off:

Release the control switch (2).

6.2 Practical tips

6.2.1 Sharpening chisel tools

You will only achieve good results if you use sharp chisels. You should therefore sharpen the chisels promptly to ensure that they produce good results and provide a long service life.

Important.

You only require slight contact pressure for chiseling. Excessive contact pressure will place an unnecessary strain on the motor. Check the chisels at regular intervals. Sharpen or replace blunt chisels.

7. Replacing the power cable

If the power cable for this equipment is damaged, it must be replaced by the manufacturer or its after-sales service or similarly trained personnel to avoid danger.

8. Cleaning, maintenance and ordering of spare parts

Always pull out the mains power plug before starting any cleaning work.

8.1 Cleaning

- Keep all safety devices, air vents and the motor housing free of dirt and dust as far as possible. Wipe the equipment with a clean cloth or blow it with compressed air at low pressure.
- We recommend that you clean the device immediately each time you have finished using it.
- Clean the equipment regularly with a moist cloth and some soft soap. Do not use cleaning agents or solvents; these could attack the plastic parts of the equipment. Ensure that no water can seep into the device.

8.2 Carbon brushes

In case of excessive sparking, have the carbon brushes checked only by a qualified electrician. Important! The carbon brushes should not be replaced by anyone but a qualified electrician.

8.3 Servicing

8.3.1 Check the oil level (Fig. 6)

Check the oil level before using the machine. Place the machine on the floor with the tool mounting pointing downwards. The oil must be at least 3 mm above the bottom edge of the inspection window (6). Changing the oil: The oil should be changed after

around 40-50 hours of use.
Recommended oil: 25ml SAE 15W/40 or an alternative of the same quality.

8.3.2 Oil change (Fig. 7)

Switch off the machine and pull the mains plug out of the socket.

Undo the hexagonal head screw with the inspection window (6) using the wrench (7) and drain the oil. To prevent the oil from running out in an uncontrolled manner, hold a small metal chute under the opening and collect the oil in a vessel until it has fully drained out of the machine.

Important: The waste oil must be disposed of in the appropriate collection point for waste oil.

Add new oil (approx. 25 ml) through the oil filler opening (6) until the oil level reaches the required level. Tighten the hexagonal screw again.

Re-check the oil level after a short period of operation.

8.4 Ordering replacement parts:

Please quote the following data when ordering replacement parts:

- Type of machine
- Article number of the machine
- Identification number of the machine
- Replacement part number of the part required

For our latest prices and information please go to www.einhell.com.au

9. Disposal and recycling

The unit is supplied in packaging to prevent its being damaged in transit. This packaging is raw material and can therefore be reused or can be returned to the raw material system.

The unit and its accessories are made of various types of material, such as metal and plastic. Defective components must be disposed of as special waste. Ask your dealer or your local council.



GB GUARANTEE CERTIFICATE

Dear Customer,

All of our products undergo strict quality checks to ensure that they reach you in perfect condition. In the unlikely event that your device develops a fault, please contact our service department at the address shown on this guarantee card. Of course, if you would prefer to call us then we are also happy to offer our assistance under the service number printed below. Please note the following terms under which guarantee claims can be made:

1. These guarantee terms cover additional guarantee rights and do not affect your statutory warranty rights. We do not charge you for this guarantee.

Our goods come with guarantees that cannot be excluded under the Australian Consumer Law. You are entitled to a replacement or refund for a major failure and for compensation for any other reasonably foreseeable loss or damage. You are also entitled to have the goods repaired or replaced if the goods fail to be of acceptable quality and the failure does not amount to a major failure.

2. Our guarantee only covers problems caused by material or manufacturing defects, and it is restricted to the rectification of these defects or replacement of the device. Please note that our devices have not been designed for use in commercial, trade or industrial applications. Consequently, the guarantee is invalidated if the equipment is used in commercial, trade or industrial applications or for other equivalent activities. The following are also excluded from our guarantee: compensation for transport damage, damage caused by failure to comply with the installation/assembly instructions or damage caused by unprofessional installation, failure to comply with the operating instructions (e.g. connection to the wrong mains voltage or current type), misuse or inappropriate use (such as overloading of the device or use of non-approved tools or accessories), failure to comply with the maintenance and safety regulations, ingress of foreign bodies into the device (e.g. sand, stones or dust), effects of force or external influences (e.g. damage caused by the device being dropped) and normal wear resulting from proper operation of the device.

The guarantee is rendered null and void if any attempt is made to tamper with the device.

3. The guarantee is valid for a period of 2 years starting from the purchase date of the device. Guarantee claims should be submitted before the end of the guarantee period within two weeks of the defect being noticed. No guarantee claims will be accepted after the end of the guarantee period. The original guarantee period remains applicable to the device even if repairs are carried out or parts are replaced. In such cases, the work performed or parts fitted will not result in an extension of the guarantee period, and no new guarantee will become active for the work performed or parts fitted. This also applies when an on-site service is used.
4. In order to assert your guarantee claim, please send your defective device postage-free to the address shown below. Please enclose either the original or a copy of your sales receipt or another dated proof of purchase. Please keep your sales receipt in a safe place, as it is your proof of purchase. It would help us if you could describe the nature of the problem in as much detail as possible. If the defect is covered by our guarantee then your device will either be repaired immediately and returned to you, or we will send you a new device.

Of course, we are also happy offer a chargeable repair service for any defects which are not covered by the scope of this guarantee or for units which are no longer covered. To take advantage of this service, please send the device to our service address.

EINHELL AUSTRALIA PTY LTD
6/166 Wellington Street
Collingwood VIC 3066
Australia
Phone: 1300 922 271