



**BT-FSS 500**

---

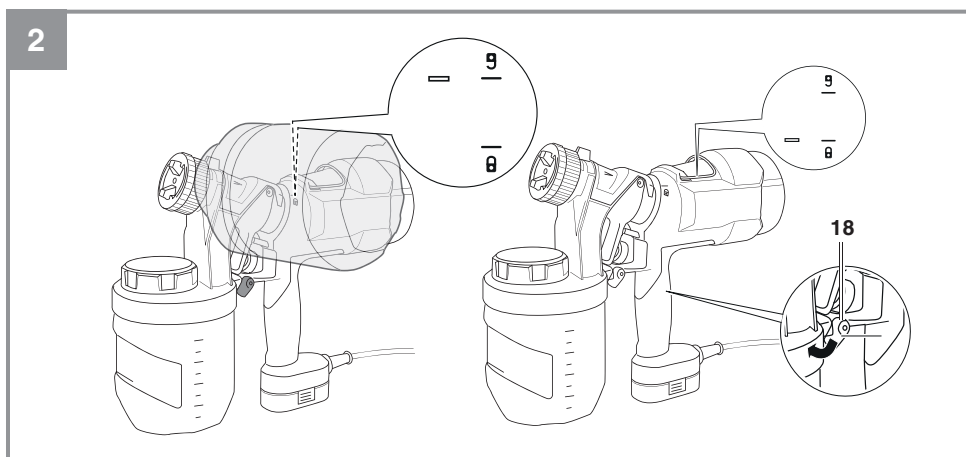
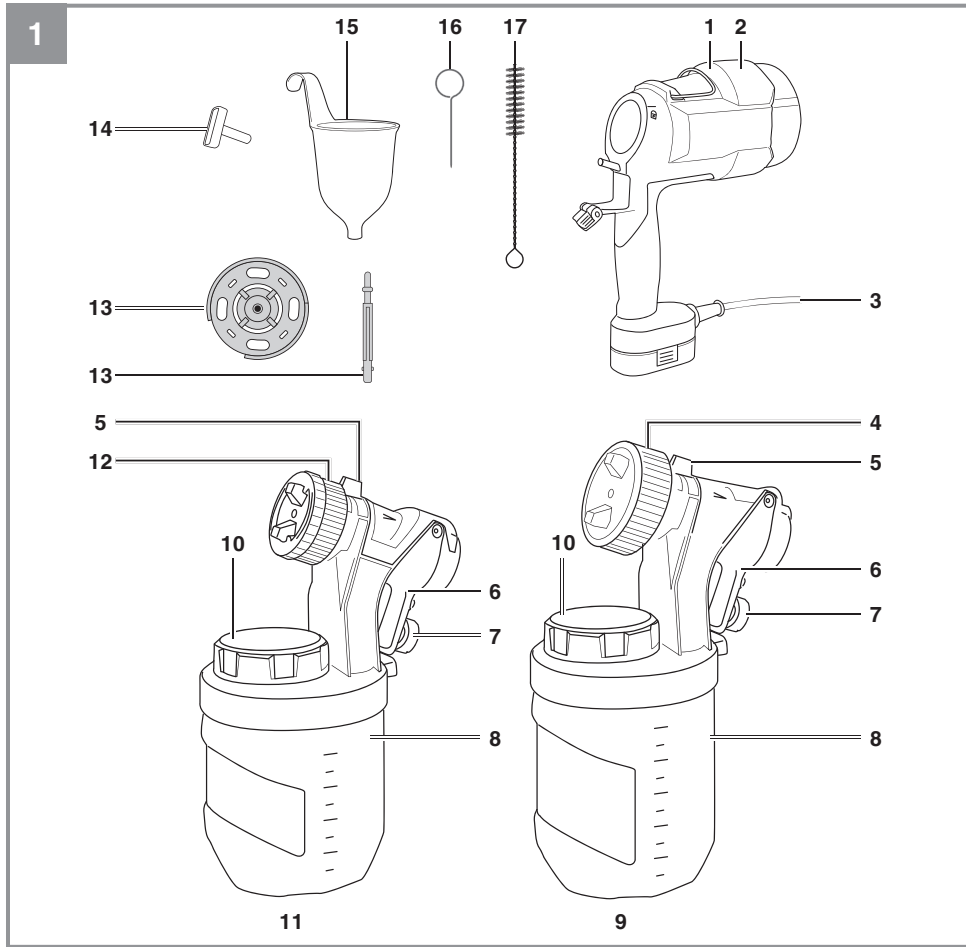
**GB Original operating instructions**  
**Paint spray system electric**

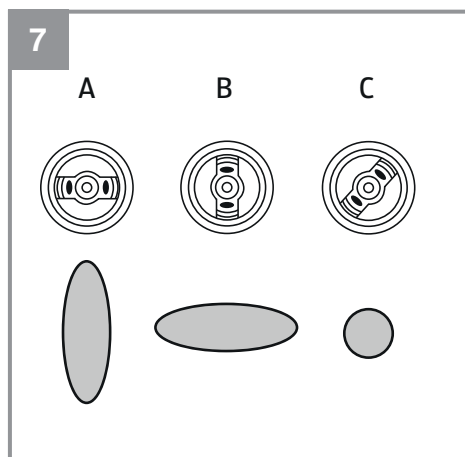
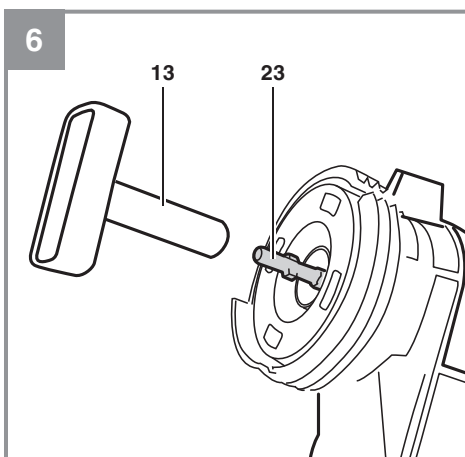
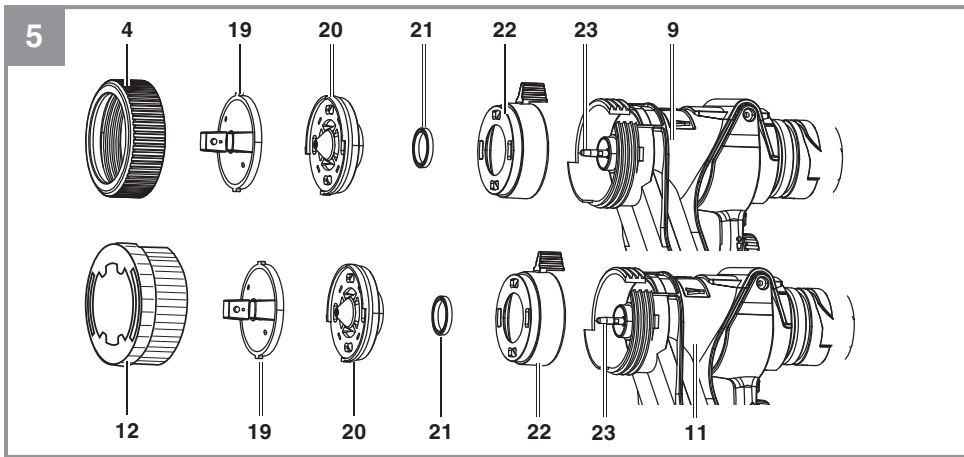
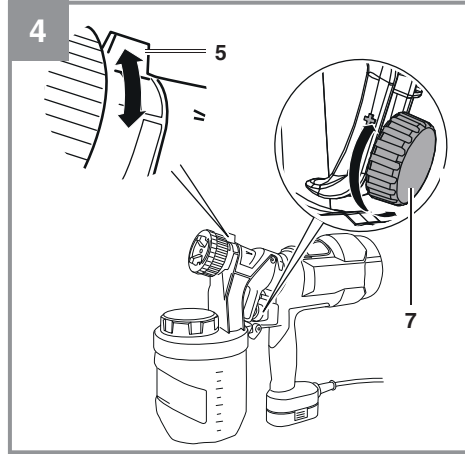
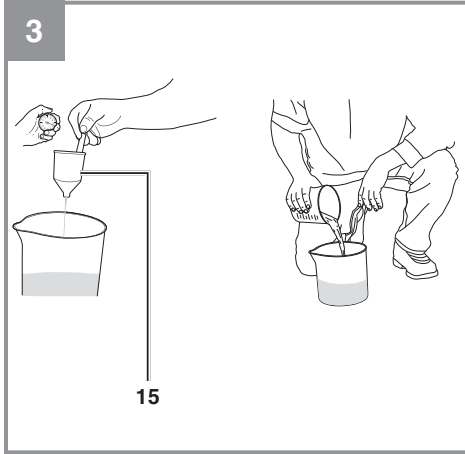


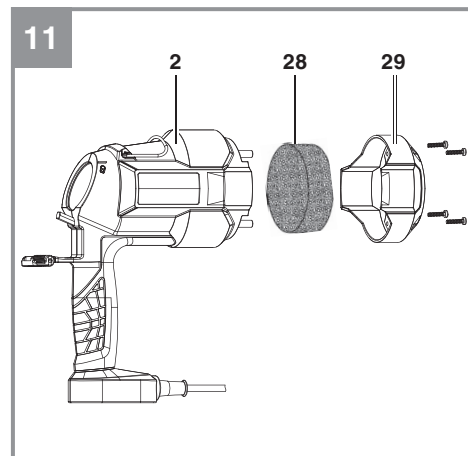
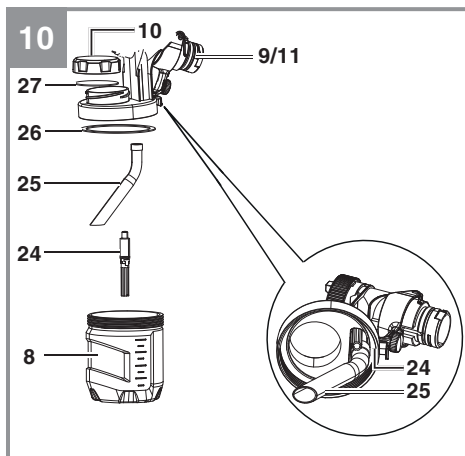
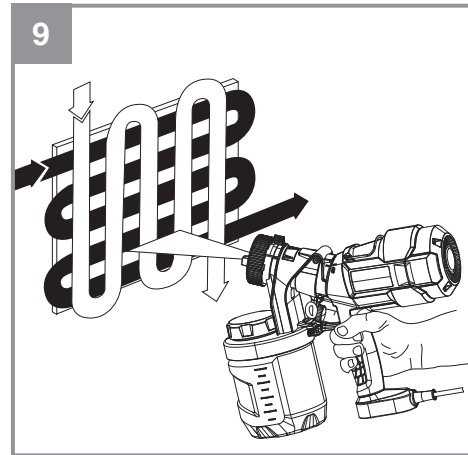
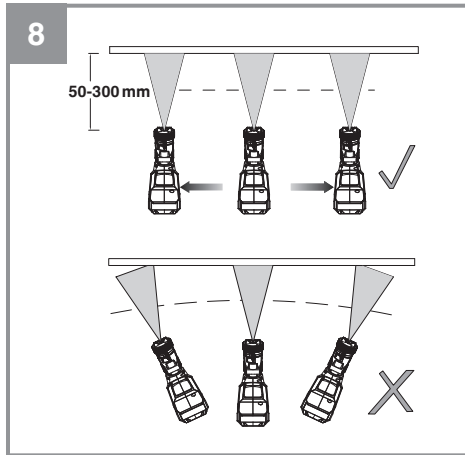
---

**Art.-Nr.: 42.600.36**

**I.-Nr.: 21011**







**Table of contents**

1. Safety regulations
2. Layout and items supplied
3. Proper use
4. Technical data
5. Before starting the equipment
6. Operation
7. Replacing the power cable
8. Cleaning, maintenance and ordering of spare parts
9. Disposal and recycling
10. Storage
11. Viscosity table
12. Troubleshooting guide



**Danger!** - Read the operating instructions to reduce the risk of injury.



**Caution! Wear ear-muffs.** The impact of noise can cause damage to hearing.



**Caution! Wear a breathing mask.** Dust which is injurious to health can be generated when working on wood and other materials. Never use the device to work on any materials containing asbestos!



**Caution! Wear safety goggles.** Sparks generated during working or splinters, chips and dust emitted by the device can cause loss of sight.



**Wear gloves!**



Protection class II, double-insulated



**Declaration of conformity: Products bearing this symbol comply with all applicable Community legislation of the European Economic Area.**

**Danger!**

When using the equipment, a few safety precautions must be observed to avoid injuries and damage. Please read the complete operating instructions and safety regulations with due care. Keep this manual in a safe place, so that the information is available at all times. If you give the equipment to any other person, hand over these operating instructions and safety regulations as well. We cannot accept any liability for damage or accidents which arise due to a failure to follow these instructions and the safety instructions.

## 1. Safety regulations

### General safety instructions for electric tools

**Danger!****Read all safety regulations and instructions.**

Any errors made in following the safety regulations and instructions may result in an electric shock, fire and/or serious injury.

**Keep all safety regulations and instructions in a safe place for future use.**

The term "electric tool" used in the safety instructions refers to electric tools operated from the mains power supply (with a power cable) and to battery operated electric tools (without a power cable).

#### 1. Workplace safety

- a) **Keep your work area clean and well illuminated.** Untidy or unlit work areas can result in accidents.
- b) **Do not operate the electric tool in an environment where there is a risk of explosions and where there are inflammable liquids, gases or dust.** Electric tools produce sparks which could set the dust or vapours alight.
- c) **Keep the electric tool out of the reach of children and other persons.** If there is a distraction, you may lose control of the appliance.

#### 2. Electrical safety

- a) **The connector plug from this electric tool must fit into the socket. The plug should never be altered in any way. Never use adapter plugs together with earthed electric tools.** Unaltered plugs and correct sockets reduce the risk of an electric shock.

- b) **Avoid bodily contact with earthed surfaces such as pipes, heating, ovens and fridges.** The risk of electric shock is increased if your body is earthed.
- c) **Keep the tool out of the rain and away from moisture.** The ingress of water into an electric tool increases the risk of an electric shock.
- d) **Do not use the cable to carry the electric tool, to hang it up or to pull it out of the socket. Keep the cable away from heat, oil, sharp edges and moving parts of the appliance.** Damaged or entangled cables increase the risk of an electric shock.
- e) **If you are working outdoors with an electric tool, only use extension cables which are designed specifically for this purpose.** Using specially designed outdoor extension cables, the risk of electric shock is reduced.
- f) **If operation of the electric tool in a damp environment can not be avoided, use a earth-leakage circuit-breaker.** The earth-leakage circuit-breaker reduces the risk of an electric shock.

#### 3. Safety of persons

- a) **Be careful, watch what you are doing and use an electric tool sensibly. Do not use the tool if you are tired or under the influence of drugs, alcohol or medication.** A moment of inattention when using the electric tool can result in serious injuries.
- b) **Wear personal protection equipment and always wear safety goggles.** Wearing personal protection (such as dust masks, non-slip safety shoes, safety helmet or ear protection, depending upon the type and use of the electric tool) reduces the risk of injury.
- c) **Make sure that the appliance cannot start up accidentally. Ensure that the electric tool is switched off before you connect it to the power supply and/or insert the battery, or pick up or carry the tool.** If your finger is on the switch whilst carrying the electric tool or if you connect the appliance to the mains when it is switched on, this can lead to accidents.
- d) **Remove keys and wrenches before switching on the electric tool.** A tool or key which comes into contact with rotating parts of the appliance can lead to injuries.
- e) **Avoid abnormal working postures. Make sure you stand squarely and keep your balance at all times.** In this way, you can control the electric tool better in unexpected

circumstances.

- f) **Wear suitable work clothes. Do not wear loose clothing or jewellery. Keep hair, clothes and gloves away from moving parts.** Loose clothing, jewellery or long hair can get trapped in moving parts.
- g) **If vacuuming devices and draining devices can be fitted, make sure that these are correctly attached and correctly used.** The use of a dust extraction system can reduce the danger posed by dust.

**Do not lose this safety information.**

#### 4. Usage and treatment of the electric tool

- a) **Do not overload the appliance. Use the correct tool for your work.** You will be able to work better and more safely within the given performance boundaries.
- b) **Do not use an electric tool with a defective switch.** An electric tool that cannot be switched on or off is dangerous and must be repaired.
- c) **Pull the plug out of the socket and/or remove the battery before making any adjustments to the appliance, changing accessories or put the appliance down.** This safety measure prevents starting the electric tool unintentionally.
- d) **Keep unused electric tools out of the reach of children. Do not allow people who are not familiar with the appliance or who have not read these instructions to use the appliance.** Electric tools are dangerous if they are used by inexperienced people.
- e) **Clean your electric tool carefully. Check whether moving parts are functioning properly and not jamming, whether parts are broken or damaged enough that the functioning of this electric tool is affected. Have damaged parts repaired before using the appliance.** Many accidents are caused by badly maintained electric tools.
- f) **Keep your cutting tools sharp and clean.** Carefully maintained cutting tools with sharp cutting edges will jam less and are easier to control.
- g) **Make sure to use electric tools, accessories, attachments, etc. in accordance with these instructions. Take the conditions in your work area and the job in hand into account.** Using electric tools for any purpose other than the one for which they are intended can lead to dangerous situations.

#### 5. Service

- a) **Have your electric tool repaired only by trained personnel using only genuine spare parts.** This will ensure that your electric tool remains safe to use.

**Do not lose these safety instructions.**

#### Special safety information

- Always disconnect the mains plug before doing any work on the paint spray gun.
- You are allowed to spray only materials such as paint, lacquer, varnish, etc. which have a flash point above 55°C, without additional heating. (For materials of hazard class A II or A III, refer to the can in which the material is sold.)
- Be aware of the hazards associated with the material you are spraying. Read the hazard information on the cans in which the material is sold or the information which is otherwise provided by the manufacturer.
- Follow the manufacturer's safety precautions when working with the material you are spraying.
- Do not spray any materials if you do not know how hazardous they are.
- Use personal protective equipment (face mask) which filters the air to avoid inhalation of spray mist.
- Wear gloves and protective clothing to avoid skin contact with the paint.
- Wear suitable eye protection (goggles).
- The work area must exceed 30 m<sup>3</sup>, and sufficient ventilation must be ensured during spraying and drying.
- Be aware that paint and lacquer can be highly inflammable and potentially explosive. There must be no ignition sources such as fireplaces, open flames, burning cigarettes or machines that generate sparks.
- The paint spray gun is not allowed to be used in premises where the explosion protection directive applies.
- When you are spraying, there must be no ignition sources nearby such as open flames, smoking cigarettes, sparks, hot glowing wires, hot surfaces, etc.
- The paint spray gun must not be used to spray flammable substances.
- Flammable solvents must not be used to clean the paint spray gun.
- **RISK OF INJURY!** Never point the paint spray gun at yourself, other people or animals.



- Properly dispose of residual paint and cleaning agents in accordance with local laws and regulations.
- Residual paint must be taken to a suitable collection point. If you are not sure, ask the local council where the nearest collection point is.
- When you are working with the paint spray gun indoors or outdoors, the gun must not suck in any solvent fumes.
- When you are working outdoors, pay attention to the wind direction. The wind can distribute the material over long distances and cause damage.
- Do not allow children to handle the gun.
- Never open the gun to carry out electrical repairs.
- Spraying into the skin can introduce toxins into the body. Call a doctor immediately if the spray jet causes a skin injury or penetrates the skin.
- Children are not allowed to use this equipment. Children should be supervised so that they do not play with the equipment. Children are not allowed to carry out cleaning or maintenance.
- This equipment must not be used by persons with reduced physical, sensory or mental capacities or those with a lack of experience and knowledge.

## 2. Layout and items supplied

### 2.1 Layout (Fig. 1/4)

1. Suspension fixture
2. Motor unit
3. Power cable
4. Union nut (spraying unit for indoor wall paints)
5. Lever for setting the spray width (1× per spraying unit)
6. Trigger (1× per spraying unit)
7. Setting screw for controlling the material quantity (1× per spraying unit)
8. Paint tub (1× per spraying unit)
9. Spraying unit for indoor wall paints
10. Lid (1× per paint tub)
11. Spraying unit for enamels and varnishes
12. Union nut with adjusting ring (spraying unit for enamels and varnishes)
13. Nozzle set 3.5 mm (needle and nozzle)
14. Needle removal tool
15. Container for checking the viscosity
16. Cleaning needle

17. Cleaning brush
18. Safety catch
19. Air cap (1× per spraying unit)
20. Nozzle (1× per spraying unit)
21. Nozzle seal (1× per nozzle)
22. Twist cap (1× per spraying unit)
23. Needle (1× per spraying unit)
24. Venting tube (in several pieces)
25. Intake tube
26. Lid seal (1× per lid)
27. Tub seal (1× per paint tub)
28. Air filter (motor unit)
29. Filter cover (motor unit)

### 2.2 Items supplied

Please check that the article is complete as specified in the scope of delivery. If parts are missing, please contact our service center or the sales outlet where you made your purchase at the latest within 5 working days after purchasing the product and upon presentation of a valid bill of purchase. Also, refer to the warranty table in the service information at the end of the operating instructions.

- Open the packaging and take out the equipment with care.
- Remove the packaging material and any packaging and/or transportation braces (if available).
- Check to see if all items are supplied.
- Inspect the equipment and accessories for transport damage.
- If possible, please keep the packaging until the end of the guarantee period.

### Danger!

**The equipment and packaging material are not toys. Do not let children play with plastic bags, foils or small parts. There is a danger of swallowing or suffocating!**

- Original operating instructions

## 3. Proper use

The machine is suitable for spraying solvent-based and water-soluble lacquers, varnishes, primers, 2-component lacquers, clear lacquers, vehicle topcoats, stains and wood preservatives. It must not be used for outdoor wall paints, alkaline solutions or acidic substances.

The equipment is to be used only for its prescribed purpose. Any other use is deemed to be a case of misuse. The user / operator and not the manufacturer will be liable for any damage or injuries of any kind caused as a result of this.

Please note that our equipment has not been designed for use in commercial, trade or industrial applications. Our warranty will be voided if the machine is used in commercial, trade or industrial businesses or for equivalent purposes.

#### 4. Technical data

Voltage..... 220-240 V ~ 50 Hz  
 Power rating..... 500 W  
 Max. flow rate: ..... 1000 ml/min  
 Tub volume: ..... 900/1200 ml  
 Nozzle Ø: ..... 1.0/2.5/3.5 mm  
 Max. viscosity: ..... 150 DIN/sec  
 Totally insulated ..... II/□  
 Weight: ..... 2.8 kg

#### Danger!

##### Noise and vibration

The noise and vibration values were determined in accordance with EN 60745-1 and EN 50580.

Sound pressure level  $L_{pA}$  ..... 85 dB(A)  
 Uncertainty  $K_{pA}$  ..... 3 dB  
 Sound power level  $L_{WA}$  ..... 96 dB(A)  
 Uncertainty  $K_{WA}$  ..... 3 dB

##### Wear ear-muffs.

The impact of noise can cause damage to hearing. Total vibration values (vector sum of three directions) were determined in accordance with EN 60745-1 and EN 50580.

##### Handle

Vibration emission value  $a_h < 2.5 \text{ m/s}^2$   
 Uncertainty  $K = 1.5 \text{ m/s}^2$

The stated vibration emission levels and stated noise emission values were measured in accordance with a set of standardized criteria and can be used to compare one power tool with another.

The stated vibration emission levels and stated noise emission values can also be used to make an initial assessment of exposure.

#### Warning:

The vibration and noise emission levels may vary from the level specified during actual use, depending on the way in which the power tool is used, especially the type of workpiece it is used for.

#### Keep the noise emissions and vibrations to a minimum.

- Only use appliances which are in perfect working order.
- Service and clean the appliance regularly.
- Adapt your working style to suit the appliance.
- Do not overload the appliance.
- Have the appliance serviced whenever necessary.
- Switch the appliance off when it is not in use.
- Wear protective gloves.

#### Caution!

##### Residual risks

**Even if you use this electric power tool in accordance with instructions, certain residual risks cannot be ruled out. The following hazards may arise in connection with the equipment's construction and layout:**

1. Lung damage if no suitable protective dust mask is used.
2. Damage to hearing if no suitable ear protection is used.
3. Health damage caused by hand-arm vibrations if the equipment is used over a prolonged period or is not properly guided and maintained.

#### 5. Before starting the equipment

Before you connect the equipment to the mains supply make sure that the data on the rating plate are identical to the mains data.

#### Warning!

**Always pull the power plug before making adjustments to the equipment.**

#### Selecting the material and spraying unit

##### Important! Risk of damage!

Non-approved materials could damage the fine paint sprayer.

Note the list of materials that are approved for use and those that are not approved for use.

**Approved materials**

- Indoor wall paint (emulsions etc.)
- Solvent-based and water-soluble lacquers
- Glazes and primers
- 2-component lacquers and clear lacquers
- Vehicle topcoats
- Stains and wood preservatives

**Non-approved materials**

- Alkaline solutions, acidic coating materials
- Combustible coating materials

1. Use the container (15) for the viscosity test in order to check whether your paint has the required viscosity (see Fig. C). Fill the viscosity test container with the required spray material until completely full.
2. Let the spray material in the container run out through the opening in the bottom and note the time it takes for all the spray material to emerge. The time recorded is the basis for calculating the viscosity of the spray material in the unit DIN-sec.
3. If you are unsure about which material to use for your project, ask your paint dealer or a similar specialist.

**Filling in the material**

1. If applicable, remove the spraying unit (9/11) from the motor unit (2) as described in the section "Attaching/replacing the spraying unit".
2. Open the paint tub (8) by unscrewing the lid (10) counter-clockwise (see Fig. A).
3. Fill the prepared material into the paint tub. If necessary, use a suitable funnel in order not to spill any material.
4. Screw the lid clockwise onto the paint tub in order to close the paint tub. Take care not to tilt the lid while screwing it on and make sure that the paint tub is fully closed.

**Attaching/replacing the spraying unit****Caution!****Risk of injury!**

Improper handling of the fine paint sprayer could result in injuries.

- Do not connect the fine paint sprayer to a power socket until the required spraying unit has been fitted to the motor unit and the paint has been filled in.

**Fitting the spraying unit to the motor unit**

1. Swing the safety catch (18) on the motor unit (2) down as far as possible (see Fig. A).
2. Insert the required spraying unit (9 or 11) into the motor unit mount such that the line mark on the spraying unit points to the line mark alongside the symbol on the motor unit (see Fig. B).
3. Turn the motor unit clockwise through 90° as far as it will go. The line mark on the spraying unit must point to the line mark alongside the symbol on the motor unit.
4. Swing up the safety catch so that you hear it latch in the hook on the spraying unit.

**Removing the spraying unit from the motor unit**

1. Swing the safety catch (18) on the motor unit (2) down as far as possible (see Fig. A).
2. Turn the motor unit counter-clockwise through 90° such that the line mark on the spraying unit points to the line mark alongside the symbol on the motor unit (see Fig. B).
3. Remove the spraying unit from the motor unit in forward direction.

**6. Operation****6.1 Material preparation**

Usually the paint needs to be thinned before it can be used in the fine paint sprayer. Instructions on how to thin the paint for spraying are rarely printed on the paint tin. You should therefore use the viscosity table as a guide. (viscosity = consistency of the paint)

**Caution! Risk of injury!**

Improper handling of the fine paint sprayer could result in injuries.

- Before you begin your work, make sure that the power cable does not become a tripping hazard.
- Always wear the necessary protective equipment such as a breathing mask and make sure there is enough ventilation.

**Important! Risk of damage!**

Improper handling of the fine paint sprayer could result in damage.

- Test the settings and the spray material's behavior on a sample piece.
- Adapt the settings as described below before you begin with the actual work.

### 6.1.2 Measuring the viscosity (Fig. 3)

1. Use the viscosity test container (15) to check whether your paint has the required viscosity (see Fig. C). Fill the viscosity test container with the required spray material until completely full.
2. Let the spray material in the container run out through the opening in the bottom and note the time it takes for all the spray material to emerge. The time recorded is the basis for calculating the viscosity of the spray material in the unit DIN-sec.
3. If you are unsure about which material to use for your project, ask your paint dealer or a similar specialist.

This is the „Draining time in seconds“.  
(See 11. Viscosity Table)

### 6.2 Switching the fine paint sprayer on and off

Switching on the fine paint sprayer

1. Connect the fine paint sprayer to the power supply by inserting the power plug in a suitable power socket.
2. Point the fine paint sprayer at the object to be sprayed.
3. Pull the trigger to begin spraying (6).

#### Switching off the fine paint sprayer

1. Release the trigger (6) of the fine paint sprayer.
2. Disconnect the fine paint sprayer from the power supply by pulling the power plug out of the socket.

### 6.3 Setting the spray pattern

#### Caution! Risk of injury!

Improper handling of the fine paint sprayer could result in injuries.

- Be sure not to pull the trigger while you are setting the air cap.
- Each time before you change a setting, make sure that the fine paint sprayer is OFF. You can set three different spray patterns on the fine paint sprayer to suit the application and object (see Fig. G):

#### Position A

Pattern: Vertical cone

Use: Horizontal surfaces

#### Position B

Pattern: Horizontal cone

Use: Vertical surfaces

#### Position C

Pattern: Round cone

Use: Corners, edges, surfaces that are difficult to access

### Spray pattern of the spraying unit for lacquers and varnishes

When you turn the adjusting ring, take care not to loosen the union nut or unscrew it from the spraying unit. After you have set the required spray pattern, tighten the union nut by screwing clockwise.

- Turn the adjusting ring (12) at the union nut clockwise or counter-clockwise in order to move the air cap (19) to the required spray pattern position (see Fig. G).

### Spray pattern of the spraying unit for indoor wall paints

1. Undo the union nut (4) a little by turning counter-clockwise.
2. Turn the air cap (19) into the required spray pattern position (see Fig. G).
3. Hold the air cap securely and tighten the union nut by turning clockwise.

### 6.4 Controlling the material volume

The setting screw for controlling the material volume (7) at the trigger (6) can be used to set the volume of the material supply to suit your requirements (see Fig. D). There is a scale on the trigger for orientation.

- Turn the setting screw counter-clockwise (–) in order to reduce the material volume.
- Turn the setting screw clockwise (+) in order to increase the material volume.

### 6.5 Setting the spray width

With the help of the lever (5) for setting the spray width you can make the spray cone wider or narrower (see Fig. D).

- Push the lever for setting the spray width towards or to position (X) in order to make the spray cone wider (position (X) = maximum cone width).
- Push the lever for setting the spray width towards or to position (X) in order to make the spray cone narrower (position (X) = narrowest cone width).

### 6.6 Changing the nozzle set

This product comes with a 2.5 mm nozzle set (pre-fitted) and a 3.5 mm nozzle set for the spraying unit (9) with 1200 ml tub volume. For spray material of lower viscosity the manufacturer recommends the spraying unit (11) with the

pre-fitted 1.0 mm nozzle and 900 ml tub volume, and for spray materials of higher viscosity the manufacturer recommends the 2.5 mm or 3.5 mm nozzle set.

1. Unscrew the union nut (4) counter-clockwise from the spraying unit (9) for indoor wall paints (see Fig. A and E).
2. Remove in forwards direction the air cap (19), the fitted nozzle (20) with nozzle seal (21), and the twist cap (22) from the spraying unit. When doing so, make sure that the lever (5) for setting the spray width must be in position on the twist cap so that you can pull the twist cap off the spraying unit.
3. Guide the tool for removing the needle (14) as far as possible over the fitted needle (23) from the front (see Fig. F). Make sure that the hooks on the side of the needle slide into the guide grooves inside the tool.
4. Rotate the tool one quarter of a revolution (90°).
5. With the help of the tool, pull the needle forwards out of the catch in the spraying unit.
6. Rotate the tool one quarter of a revolution (90°) in order to remove the tool from the needle. Make sure that the hooks on the side of the needle run in the guide grooves inside the tool. It must be possible to remove the tool without you feeling any resistance.
7. Insert the needle of the required nozzle set into the mount inside the spraying unit. When doing so, make sure that the needle is correctly aligned for the side grooves at the end of the needle to engage in the corresponding recesses of the mount inside the spraying unit. The needle will engage audibly in the mount. If the needle fails to engage in the mount and can be pulled out again with ease, turn the needle slightly clockwise or counter-clockwise and try again to insert the needle.
8. Put on the twist cap such that the lever for setting the spray width is in position on the twist cap and extends through the corresponding recess in the spraying unit.
9. Push the nozzle of the selected nozzle set together with the inserted nozzle seal onto the spraying unit. Be sure to align the nozzle such that the edge on the side of the spraying unit engages in the corresponding recess on the side of the nozzle and that the inserted needle is seated in the middle opening of the nozzle.
10. Place the air cap onto the spraying unit such that the two side hooks of the air cap lie inside the corresponding recesses on the side of the nozzle.

11. Screw the union nut clockwise onto the spraying unit.

### 6.7 Spraying techniques

#### Important! Risk of damage!

Improper handling of the fine paint sprayer could result in damage.

- Carefully prepare in advance the surface to be sprayed and keep it free of dust. The spraying results depend on how smooth and clean the surface is before spraying.
- The thread on the fine paint sprayer and all areas which you do not want to spray over must be well covered.
- Place the fine paint sprayer only on a level and clean surface. This will help to prevent dust and particles of dirt being drawn in. Carry out a spray test on cardboard or a similar surface in order to become acquainted with the fine paint sprayer and to determine the optimum settings for the material you are using.
- Begin spraying outside the area to be sprayed. Avoid interrupting the spraying inside the area to be sprayed
- Right: Be sure to hold the fine paint sprayer at a constant distance of around 5 to 15 cm (or 20 to 30 cm when working with indoor wall paint) from the surface you are spraying (see Fig. H).
- Wrong: Failure to keep a constant distance will result in uneven coverage of the surface due to the heavy paint mist produced (see Fig. H).
- Move the fine paint sprayer evenly back and forth or up and down depending on which spray pattern is set. Steady movement of the fine paint sprayer will result in uniform coverage of the surface.
- Indoor wall paint in strong colors must be applied at least twice. Allow the first coating of paint to dry before you apply the second coating. This will produce a uniform coating.
- In the case of poorly covering paints or highly absorbent surfaces you should spray in criss-cross manner (see Fig. I).
- If the paint material forms deposits and the spraying results worsen, clean the nozzle and the air cap as described in the section "Cleaning the nozzle".

## 7. Replacing the power cable

### Danger!

If the power cable for this equipment is damaged, it must be replaced by the manufacturer or its after-sales service or similarly trained personnel to avoid danger.

## 8. Cleaning, maintenance and ordering of spare parts

### 8.1 Cleaning the spraying unit Important! Risk of damage!

Dried-up spray material can clog the spraying unit, making it useless for the next spraying job.

- The spraying unit must be cleaned each time after use before the spray material has time to dry.

### 8.2 Cleaning the paint tub, the intake tube and the ventilation tube

1. Remove the mains plug from the power socket before beginning with any cleaning.
2. If applicable, remove the spraying unit (9/11) from the motor unit (2) as described in the section "Attaching/replacing the spraying unit".
3. Unscrew the paint tub (8) from the spraying unit (see Fig. A and K).
4. Return the remaining material to the material tin or dispose of it in accordance with the regulations.
5. Pull the intake tube (25) and the ventilation tube (24) downwards out of their catches on the spraying unit. Take care to pull out the whole multi-part ventilation tube (in one piece).
6. Use a cloth to remove any coarse dirt and paint residues from out of the paint tub.
7. Use the cleaning brush to remove coarse dirt or blockages from the inside of the intake tube and the ventilation tube as well as from the mountings on the spraying unit.
8. Re-insert the intake tube and ventilation tube into the corresponding mounts on the spraying unit from underneath. Make sure that the intake tube is correctly aligned when you do so: The hook at the top end of the intake tube must run inside the guide groove on the corresponding mount in order for the intake tube to be correctly seated.
9. Fill solvent or water into the paint tub.
10. Screw the paint tub back onto the spraying unit from underneath.

11. Fit the spraying unit back on the motor unit as described in the section "Attaching/replacing the spraying unit".
12. Insert the power plug into a properly installed socket outlet.
13. Press the trigger (6) and spray the solvent or water into a container or cloth.
14. Keep repeating until only clear solvent or water comes out.
15. Pull the power plug out of the socket outlet.
16. Empty the paint tub completely.
17. Keep the tub seal (27) free of material and check it for damage.
18. Use a rag soaked in solvent or water to clean the outside and the inside of the spraying unit and the paint tub.
19. Allow all parts to become fully dry.

### 8.3 Cleaning the nozzle

1. Unscrew the union nut (4) or the union nut (12) with adjusting ring from the respective spraying unit (9/11) (see Fig. A and E).
2. Remove in forwards direction the air cap (19), the nozzle (20) with nozzle seal (21), and the twist cap (22) from the spraying unit. When doing so, make sure that the lever (5) for setting the spray width is in position on the twist cap so that you can pull the twist cap off the spraying unit.
3. Guide the tool (14) for removing the needle as far as possible over the needle from the front. Make sure that the hooks on the side of the needle slide into the guide grooves inside the tool.
4. Rotate the tool one quarter of a revolution (90°).
5. With the help of the tool, pull the needle forwards out of the catch in the spraying unit.
6. Rotate the tool one quarter of a revolution (90°) in order to remove the tool from the needle. Make sure that the hooks on the side of the needle run in the guide grooves inside the tool. It must be possible to remove the tool without you feeling any resistance.
7. Clean the air cap and the nozzle with a bristle brush and solvent or water. Use the cleaning needle (16) to clean any clogged openings.
8. Clean the needle thoroughly with a lint-free cloth and solvent or water.
9. Check the nozzle seal for damage.
10. Allow all parts to become fully dry.
11. Re-insert the needle into the mount inside the spraying unit. When doing so, make sure that the needle is correctly aligned for the side grooves at the end of the needle to engage

in the corresponding recesses of the mount inside the spraying unit. The needle will engage audibly in the mount. If the needle fails to engage in the mount and can be pulled out again with ease, turn the needle slightly clockwise or counter-clockwise and try again to insert the needle.

12. Put on the twist cap such that the lever for setting the spray width is in position on the twist cap and extends through the corresponding recess on the spraying unit.
13. Push the nozzle of the selected nozzle set together with the inserted nozzle seal onto the spraying unit. Be sure to align the nozzle such that the edge on the side of the spraying unit engages in the corresponding recess on the side of the nozzle and that the inserted needle is seated in the middle opening of the nozzle.
14. Place the air cap onto the spraying unit such that the two side hooks of the air cap lie inside the corresponding recesses on the side of the nozzle.
15. Screw the union nut or the union nut with adjusting ring clockwise onto the spraying unit. Take care when screwing on the union nut with adjusting ring that the two caps are seated in the recesses of the adjusting ring, otherwise it will not be possible to adjust the spray pattern with the help of the adjusting ring.

#### 8.4 Cleaning the motor unit

1. Remove the mains plug from the power socket before beginning with any cleaning.
2. If applicable, remove the spraying unit (9/11) from the motor unit (2) as described in the section "Attaching/replacing the spraying unit".
3. Wipe the outside of the motor unit with a dry cloth or with a cloth that has been slightly dampened and well wrung out. Make sure that no liquid gets inside the motor unit.

#### 8.5 Replacing the air filter

##### Important! Risk of damage!

Improper handling of the fine paint sprayer could result in damage.

- Never use the fine paint sprayer without an air filter. Without an air filter, dirt and dust will be drawn in and have an effect on the spraying results.
- Check the air filter at regular intervals for dirt, dust and similar.

- Check the air filter particularly if you notice a drop in spraying performance or if you can see that dust is collecting at the ventilation openings.
- Change the air filter if it is heavily soiled.

The air filter protects against building dust and similar, and it can be cleaned several times before it needs to be replaced. You should try therefore to clean the air filter before replacing it unnecessarily.

The air filter can be cleaned in various ways:

- With the filter cover in place: clean the air filter with a vacuum cleaner. Alternatively:
  - remove the filter cover and take out the air filter as described below. Then tap or blow the dust layers off the air filter and re-insert the cleaned air filter as described below.
1. Remove the four screws holding the filter cover by unscrewing them counter-clockwise (see Fig. L).
  2. Remove the filter cover from the motor unit towards the back.
  3. Remove the air filter and replace it with a matching replacement filter.
  4. Place the filter cover back on the motor unit.
  5. Fasten the filter cover on the motor unit with the help of the four previously removed screws.

#### 8.6 Maintenance

There are no parts inside the equipment which require additional maintenance.

#### 8.7 Ordering spare parts and accessories

Please provide the following information when ordering spare parts:

- Type of unit
- Article number of the unit
- ID number of the unit
- Spare part number of the required spare part

For our latest prices and information please go to [www.Einhell-Service.com](http://www.Einhell-Service.com)



**Tip! For good results we recommend high-quality accessories from **kwb** !**  
[www.kwb.eu](http://www.kwb.eu)  
[welcome@kwb.eu](mailto:welcome@kwb.eu)

## 9. Disposal and recycling

The equipment is supplied in packaging to prevent it from being damaged in transit. The raw materials in this packaging can be reused or recycled. The equipment and its accessories are made of various types of material, such as metal and plastic. Never place defective equipment in your household refuse. The equipment should be taken to a suitable collection center for proper disposal. If you do not know the whereabouts of such a collection point, you should ask in your local council offices.

## 10. Storage

Store the equipment and accessories in a dark and dry place at above freezing temperature. The ideal storage temperature is between 5 and 30 °C. Store the electric tool in its original packaging.



**11. Viscosity table**

<b>Spray material</b>	<b>Thinning recommendation</b>	<b>Nozzle diameter</b>
Indoor wall paint	Thin by approx. 5–10 % (max. 100 DIN-sec)	2.5 mm
Glazes, wood preservatives, stains, oils, disinfectants	Unthinned (max. 40 DIN-sec)	1.0 mm
Solvent-based or water-soluble lacquers, primers, vehicle topcoats, 2-component paints, clear lacquers	Thin by 0–10 % (max. 40 DIN-sec)	3.5 mm
All other viscous materials	Max. 150 DIN-sec	1.0 mm

## 12. Troubleshooting guide

Fault	Possible cause	Remedy
No material at the nozzle.	<ul style="list-style-type: none"> <li>- Nozzle is clogged.</li> <li>- Intake tube is clogged.</li> <li>- Setting screw for controlling the material volume is turned too far to the left (-).</li> <li>- Intake tube is loose.</li> <li>- No pressure build-up in the paint tub.</li> </ul>	<ul style="list-style-type: none"> <li>- Clean the nozzle.</li> <li>- Clean the intake tube.</li> <li>- Turn the setting screw for controlling the material volume to the right (+).</li> <li>- Plug in the intake tube.</li> <li>- Turn the paint tub until tight.</li> </ul>
Material drips from the nozzle after spraying.	<ul style="list-style-type: none"> <li>- Nozzle is loose.</li> <li>- Nozzle is worn.</li> <li>- Nozzle seal is worn.</li> <li>- Accumulation of material at the air cap and nozzle.</li> </ul>	<ul style="list-style-type: none"> <li>- Tighten the nozzle.</li> <li>- Replace the nozzle.</li> <li>- Replace the nozzle seal.</li> <li>- Clean the air cap and nozzle.</li> </ul>
Atomization is too coarse.	<ul style="list-style-type: none"> <li>- Material viscosity is too high.</li> <li>- Setting screw for controlling the material volume is turned too far to the right (+).</li> <li>- Nozzle is dirty.</li> <li>- Air filter is heavily soiled.</li> <li>- Pressure build-up in the paint tub is too low.</li> </ul>	<ul style="list-style-type: none"> <li>- Thin the material.</li> <li>- Turn the setting screw for controlling the material volume to the left (-).</li> <li>- Clean the nozzle.</li> <li>- Clean or replace the air filter.</li> <li>- Turn the paint tub until tight.</li> </ul>
Intermittent ("fluttering") spray	<ul style="list-style-type: none"> <li>- Almost all of the material in the paint tub has been used up.</li> <li>- Air filter is heavily soiled.</li> </ul>	<ul style="list-style-type: none"> <li>- Fill in more material.</li> <li>- Clean or replace the air filter.</li> </ul>
Paint runs	<ul style="list-style-type: none"> <li>- Too much material is being applied.</li> </ul>	<ul style="list-style-type: none"> <li>- Turn the setting screw for controlling the material volume to the left (-).</li> </ul>
Too much paint mist (overspray).	<ul style="list-style-type: none"> <li>- Distance from the object being sprayed is too big.</li> <li>- Too much material is being applied.</li> </ul>	<ul style="list-style-type: none"> <li>- Reduce the spraying distance.</li> <li>- Turn the setting screw for controlling the material volume to the left (-).</li> </ul>
Poor coverage on the wall.	<ul style="list-style-type: none"> <li>- Material too cold</li> <li>- Strongly absorbing surface or paint with poor covering capacity.</li> <li>- Distance is too big.</li> </ul>	<ul style="list-style-type: none"> <li>- Wait for the material to reach room temperature.</li> <li>- Spray in criss-cross manner.</li> <li>- Go closer to the object you are spraying.</li> </ul>



For EU countries only

Never place any electric power tools in your household refuse.

To comply with European Directive 2012/19/EC concerning old electric and electronic equipment and its implementation in national laws, old electric power tools have to be separated from other waste and disposed of in an environment-friendly fashion, e.g. by taking to a recycling depot.

Recycling alternative to the return request:

As an alternative to returning the equipment to the manufacturer, the owner of the electrical equipment must make sure that the equipment is properly disposed of if he no longer wants to keep the equipment. The old equipment can be returned to a suitable collection point that will dispose of the equipment in accordance with the national recycling and waste disposal regulations. This does not apply to any accessories or aids without electrical components supplied with the old equipment.

The reprinting or reproduction by any other means, in whole or in part, of documentation and papers accompanying products is permitted only with the express consent of the Einhell Germany AG.

Subject to technical changes

## Service information

We have competent service partners in all countries named on the guarantee certificate whose contact details can also be found on the guarantee certificate. These partners will help you with all service requests such as repairs, spare and wearing part orders or the purchase of consumables.

Please note that the following parts of this product are subject to normal or natural wear and that the following parts are therefore also required for use as consumables.

Category	Example
Wear parts*	
Consumables*	Nozzle, fluid needle
Missing parts	

\* Not necessarily included in the scope of delivery!

In the event of defects or faults, please register the problem on the internet at [www.Einhell-Service.com](http://www.Einhell-Service.com). Please ensure that you provide a precise description of the problem and answer the following questions in all cases:

- Did the equipment work at all or was it defective from the beginning?
- Did you notice anything (symptom or defect) prior to the failure?
- What malfunction does the equipment have in your opinion (main symptom)?  
Describe this malfunction.

## Warranty certificate

Dear Customer,

All of our products undergo strict quality checks to ensure that they reach you in perfect condition. In the unlikely event that your device develops a fault, please contact our service department at the address shown on this guarantee card. You can also contact us by telephone using the service number shown. Please note the following terms under which guarantee claims can be made:

1. These guarantee terms apply to consumers only, i.e. natural persons intending to use this product neither for their commercial activities nor for any other self-employed activities. These warranty terms regulate additional warranty services, which the manufacturer mentioned below promises to buyers of its new products in addition to their statutory rights of guarantee. Your statutory guarantee claims are not affected by this guarantee. Our guarantee is free of charge to you.
2. The warranty services cover only defects due to material or manufacturing faults on a product which you have bought from the manufacturer mentioned below and are limited to either the rectification of said defects on the product or the replacement of the product, whichever we prefer.  
Please note that our devices are not designed for use in commercial, trade or professional applications. A guarantee contract will not be created if the device has been used by commercial, trade or industrial business or has been exposed to similar stresses during the guarantee period.
3. The following are not covered by our guarantee:
  - Damage to the device caused by a failure to follow the assembly instructions or due to incorrect installation, a failure to follow the operating instructions (for example connecting it to an incorrect mains voltage or current type) or a failure to follow the maintenance and safety instructions or by exposing the device to abnormal environmental conditions or by lack of care and maintenance.
  - Damage to the device caused by abuse or incorrect use (for example overloading the device or the use of unapproved tools or accessories), ingress of foreign bodies into the device (such as sand, stones or dust, transport damage), the use of force or damage caused by external forces (for example by dropping it).
  - Damage to the device or parts of the device caused by normal or natural wear or tear or by normal use of the device.
4. The guarantee is valid for a period of 24 months starting from the purchase date of the device. Guarantee claims should be submitted before the end of the guarantee period within two weeks of the defect being noticed. No guarantee claims will be accepted after the end of the guarantee period. The original guarantee period remains applicable to the device even if repairs are carried out or parts are replaced. In such cases, the work performed or parts fitted will not result in an extension of the guarantee period, and no new guarantee will become active for the work performed or parts fitted. This also applies if an on-site service is used.
5. To make a claim under the guarantee, please register the defective device at: [www.Einhell-Service.com](http://www.Einhell-Service.com). Please keep your bill of purchase or other proof of purchase for the new device. Devices that are returned without proof of purchase or without a rating plate shall not be covered by the guarantee, because appropriate identification will not be possible. If the defect is covered by our guarantee, then the item in question will either be repaired immediately and returned to you or we will send you a new replacement.

Of course, we are also happy offer a chargeable repair service for any defects which are not covered by the scope of this guarantee or for units which are no longer covered. To take advantage of this service, please send the device to our service address.

Also refer to the restrictions of this warranty concerning wear parts, consumables and missing parts as set out in the service information in these operating instructions.



- D** Konformitätserklärung: Wir erklären Konformität gemäß EU-Richtlinie und Normen für Artikel
- GB** Declaration of conformity: We declare conformity in accordance with the EU directive and standards for article
- F** Déclaration de conformité : Nous déclarons la conformité conformément aux directives et normes UE pour l'article
- I** Dichiarazione di conformità: dichiariamo la conformità secondo la direttiva UE e le norme per l'articolo
- DK** Overensstemmelseserklæring: Vi attesterer overensstemmelse iht. EU-direktiv samt standarder for artikel
- S** Försäkran om överensstämmelse: Vi förklarar följande överensstämmelse enl. EU-direktiv och standarder för artikeln
- CZ** Prohlášení o shodě: Prohlašujeme shodu podle směrnice EU a norem pro výrobek
- SK** Vyhlásenie o zhode: Vyhlasujeme zhodu podľa smernice EÚ a noriem pre výrobok
- NL** Conformiteitsverklaring: wij verklaren conformiteit conform EU-richtlijn en normen voor artikel
- E** Declaración de conformidad: declaramos la conformidad a tenor de la directiva y normas de la UE para el artículo
- FIN** Standardinmukaisuus todistus: Me vakuutamme, että EU-direktiivin ja standardien vaatimukset täyttyvät tuotteelle
- SLO** IZJAVA O SKLADNOSTI potrjuje sledečo skladnost s smernico EU in standardi za izdelek
- H** Konformitási nyilatkozat: Az EU-irányvonal és normák szerinti konformitást jelentjük ki a cikkekehez
- RO** Declarație de conformitate: Declaram conformitate conform directivei și normelor UE pentru articolul
- GR** Δήλωση συμμόρφωσης: Δηλώνουμε συμμόρφωση σύμφωνα με Οδηγία Εε και πρότυπα για τα προϊόντα
- P** Declaração de conformidade: Declaramos a conformidade de acordo com a diretiva CE e normas para o artigo
- HR** IZJAVA O SUKLADNOSTI potvrđuje sljedeću usklađenost prema smjernicama EU i normama za artikl
- BIH** IZJAVA O SUKLADNOSTI potvrđuje sljedeću usklađenost prema smjernicama EU i normama za artikl
- RS** DEKLARACIJA O USUGLAŠENOST potvrđuje sledeću usklađenost prema smernicama EZ i normama za artikal
- TR** Uygunluk Deklarasyonu: AB direktifi ve ürün standartları uyarınca uygunluğunu beyan ederiz
- RUS** Заявление о соответствии товара: Настоящим удостоверяется, что следующие продукты соответствуют директивам и нормам ЕС
- EE** Vastavusdeklaratsioon: Tõendame toote vastavust EL direktiivile ja standarditele
- LV** Atbilstības deklarācija: Mēs apliecinām atbilstību ES direktīvai un standartiem tālāk minētajām precēm
- LT** Atitikties deklaracija: deklaruojame, kad gaminy's atitinka ES direktyvą ir standartus
- PL** Deklaracja Zgodności - deklarujemy zgodność wymienionego ponizej artykułu z następującymi normami na podstawie dyrektywy EU
- BG** Декларация за съответствие: Ние декларираме съответствие на Директивите и нормите (ЕС) за изделия
- UKR** Декларація відповідності: ми заявляємо про відповідність згідно з Директивою ЄС та стандартами стосовно артикула
- MK** Izjava za soobraznost: Izjavуvаme soobraznost со регулативата и со нормите на ЕУ за артикли
- N** Samsvarserklæring: Vi erklærer samsvar i henhold til EU-direktiv og standarder for artikkel
- IS** Samræmisýfirlýsing: Við útskúrdum samræmi við EU-reglugerð og stöðlum fyrir vörutegund

### Paint spray system electric BT-FSS 500 (Einhell)

- |   |  |
|---|--|
| <input type="checkbox"/> 2014/29/EU                         | <input checked="" type="checkbox"/> 2006/42/EC   |
| <input type="checkbox"/> 2005/32/EC_2009/125/EC             | <input type="checkbox"/> Annex IV<br>Notified Body:<br>Reg. No.:   |
| <input type="checkbox"/> (EU)2015/1188                      | <input type="checkbox"/> 2000/14/EC_2005/88/EC   |
| <input type="checkbox"/> 2014/35/EU                         | <input type="checkbox"/> Annex V   |
| <input type="checkbox"/> 2006/28/EC                         | <input type="checkbox"/> Annex VI<br>Noise: measured $L_{WA}$ = dB (A); guaranteed $L_{WA}$ = dB (A)<br>P = kW; L/Q = cm<br>Notified Body: |
| <input checked="" type="checkbox"/> 2014/30/EU              | <input type="checkbox"/> 2012/46/EU_(EU)2016/1628<br>Emission No.:   |
| <input type="checkbox"/> 2014/32/EU                         |  |
| <input type="checkbox"/> 2014/53/EU                         |  |
| <input type="checkbox"/> 2014/68/EU                         |  |
| <input type="checkbox"/> (EU)2016/426<br>Notified Body:     |  |
| <input type="checkbox"/> (EU)2016/425                       |  |
| <input checked="" type="checkbox"/> 2011/65/EU_(EU)2015/863 |  |

**Standard References: EN 60745-1:2009+A11; EN 50580:2012+A1; EN 55014-1:2006+A1+A2; EN 55014-2:2015; EN 61000-3-2:2014; EN 61000-3-3:2013**

**Einhell Germany AG · Wiesenweg 22 · D-94405 Landau/Isar**

Landau/Isar, den 23.09.2021

Andreas Weichselgartner/General-Manager

Jeff Dong/Product-Management

**First CE: 18**  
**Art.-No.:** 42.600.36 **I.-No.:** 21011  
**Subject to change without notice**

**Archive-File/Record:** NAPRO26416  
**Documents registrar:** Patrick Willnecker  
Wiesenweg 22, D-94405 Landau/Isar



## Declaration of conformity

We, Einhell UK Ltd

Champions Business Park, First Floor Unit 10, Arrowe Brook Rd, Upton, Wirral CH49 0AB,  
United Kingdom

declare the conformity to UK standards and legislation was assessed for:

### Paint spray system electric BT-FSS 500 (Einhell)

#### UK legislation

- |  |  |
|--|--|
| <input type="checkbox"/> Simple Pressure Vessels (Safety) Regulation   | <input checked="" type="checkbox"/> Electromagnetic Compatibility Regulation |
| <input type="checkbox"/> Electrical Equipment (Safety) Regulation  | <input type="checkbox"/> Measuring Instruments Regulation                    |
| <input type="checkbox"/> Radio Equipment Regulation  | <input type="checkbox"/> Pressure Equipment (Safety) Regulation              |
| <input type="checkbox"/> Personal Protective Equipment Regulation  |  |
| <input type="checkbox"/> The Ecodesign for Energy-Related Products and Energy Information Regulation   |  |
| <input checked="" type="checkbox"/> The Restriction of the Use of Certain Hazardous Substances in Electrical and Electronic Equipment Regulation                       |  |
| <input type="checkbox"/> Noise Emission in the Environment by Equipment for use Outdoors Regulation<br>Noise: measured $L_{WA}$ = dB (A); guaranteed $L_{WA}$ = dB (A) |  |
| <input checked="" type="checkbox"/> Supply of Machinery (Safety) Regulation  |  |
| <input type="checkbox"/> Annex IV<br>UK Approved Body:   |  |

UKTE Certificate No.:

**Standards: BS 60745-1:2009+A11; BS 50580:2012+A1; BS 55014-1:2006+A1+A2;  
BS 55014-2:2015; BS 61000-3-2:2014; BS 61000-3-3:2013**

Wirral, 2021.23.09

  
Tom Chambers, Managing Director Einhell UK Ltd.

Article Number: 42.600.36 I.-No.: 21011  
Subject to change without notice

Archive-File/Record: NAPR026416  
Documents registrar: Patrick Willnecker  
Wiesenweg 22, 94405 Landau/Isar, Germany



EH 10/2021 (01)

