

Laser Jig Saw PS-PS 750-Laser

Art. No.: **44.710.52**

Bar code: 4006825512922

Sales unit: 5 pcs

Laser Jig saw for multi-purpose use. A tool less adjustable saw plate allows to set various angles of tilt. The Jig Saw is equipped with **electronic speed control** and 4-settings pendulum. You can make precise cuts with the additional laser function. The saw blades can be changed tool-less.

Features:

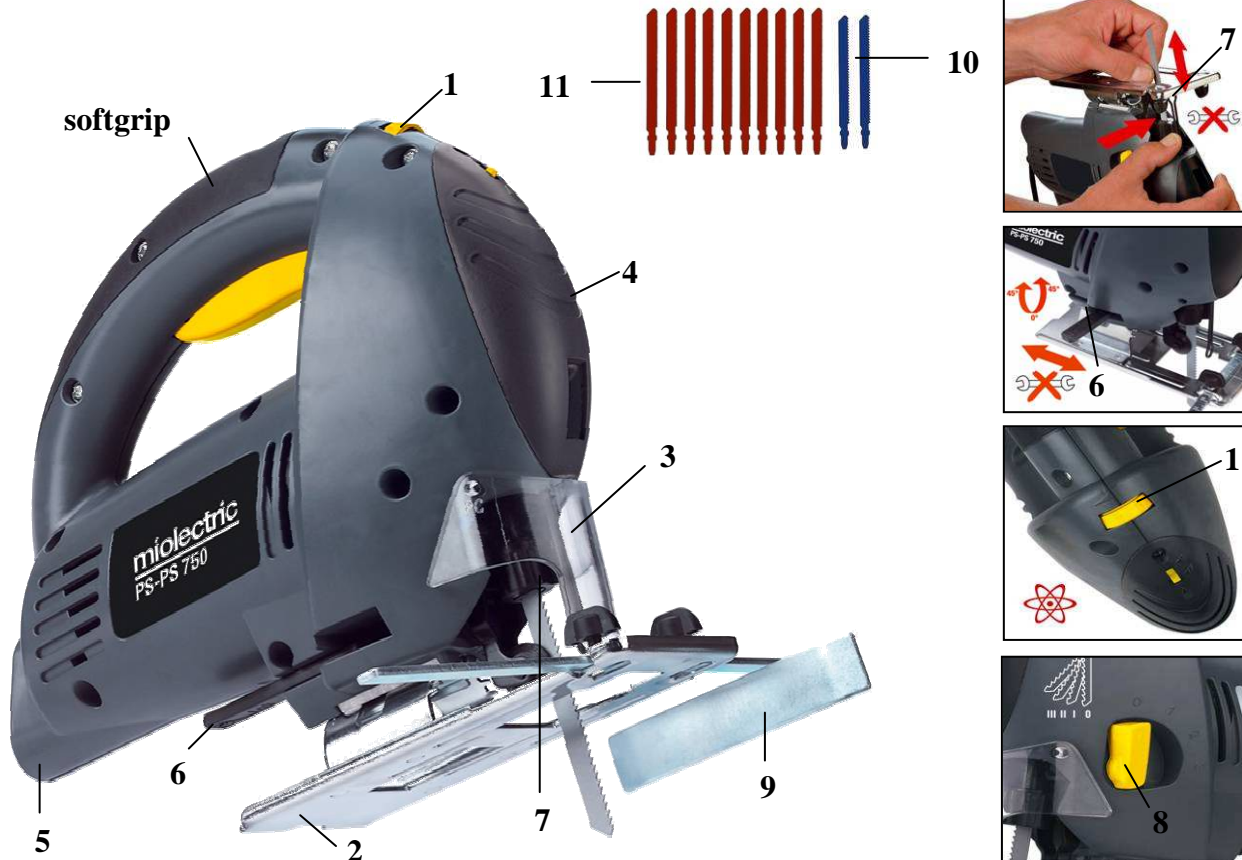
- Stroke rate electronic speed control (1)
- Adjustable saw plate is tiltable up to 45 ° to the left and right (2)
- Transparent guard (3)
- **Laser module (4)**
- Integrated dust extractor above adapter (5)
- Tool less soleplate adjustment (6)
- Tool less saw blade change (7)
- Pendulum action with 4 settings 0/1/2/3 (8)
- **Soft-painted" Housing surface**

Technical data:

- Mains: 230 V ~ 50 Hz
- Power: 750 watts
- Blade speed n_b : 500-3000 min^{-1}
- Cutting depth: wood max. 80 mm
iron max. 12 mm
plastic max. 20 mm
- Bevel cut: max. 45 °
- Laser level: II
- Main cable length: 3 m
- Weight: 4.4 kg
- Packing dimension: 433 x 100 x 345 mm

Standard Accessories :

- Parallel stop (9)
- 2 saw blades for metal (10)
- 10 saw blades for wood (11)
- Transport and storage case



Abbildungen können nicht im Serien-Lieferumfang enthaltenes Zubehör darstellen / Illustrations can contain accessories, which are not included in standard extent of delivery.

Abbildungen ähnlich, produktionsbedingte Abweichung vorbehalten / Illustration similar (in design), production-wise modifications reserved

File: G:\Webshop\T-Produktbeschreibung\60\Originale_Englisch_PA04\4471052_01015.doc

Erstelldatum / create date: 28.07.2005 8:22

Aktualisiert / up dated: 24.08.2005