

Petrol water pump RBP 18

Art.-No.: **41.713.25**

Bar code: **4006825536492**

Sales unit: **1 pc**

The compact, handy and easy to use gasoline water pump offers with its self-sucking centrifugal pump and its durable 4-stroke motor a current-independent water supply. It is ideal for the irrigation of parks and allotment gardens as well as for water supply in the weekend house.

Features:

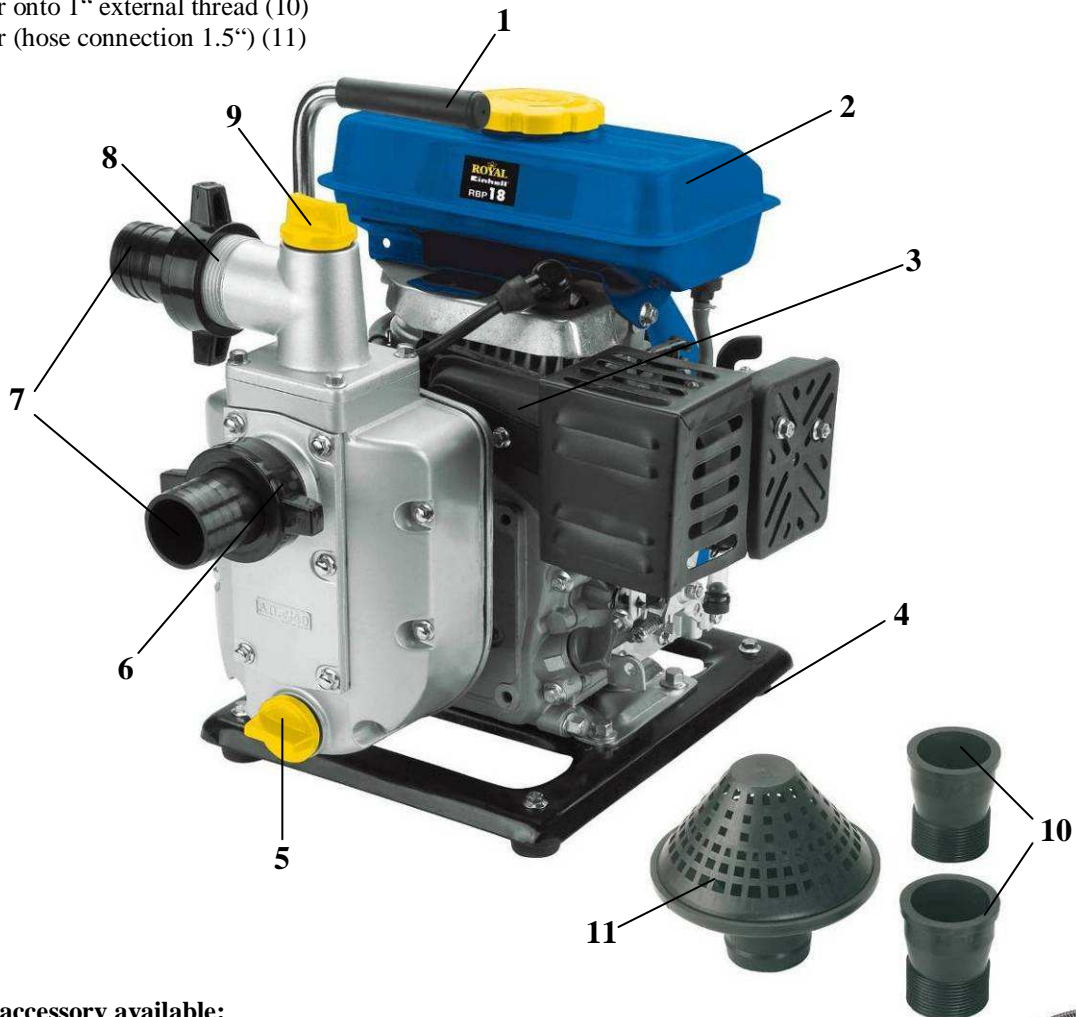
- Carry handle (1)
- tank (2)
- Sturdy 4 – stroke motor (3)
- Stand base made of rubber (4)
- Drain plug (5)
- Suction connection 1.5" external thread (6)
- Pressure connection 1.5" external thread (8)
- Fill nozzle (9)

Technical data:

- | | |
|-----------------------|--------------------|
| - 4-stroke motor: | 1.8 kW / 2.5 HP |
| - Delivery capacity: | 200 l/min. |
| - Delivery pressure: | 2.0 bar |
| - Delivery height: | 20 m |
| - No-load speed max.: | 4500 rpm |
| - Fuel: | regular gasoline |
| - Suction height: | 6 m |
| - Tank volume: | 1400 ml |
| - Weight: | 14 kg |
| - Packing dimensions: | 370 x 300 x 400 mm |

Standard accessory:

- 2x hose adapter 1.5" (7)
- 2x reducer onto 1" external thread (10)
- 1x strainer (hose connection 1.5") (11)



As special accessory available:

Suction hose Length 7 m

Suction hose Length 4 m

Art.-No.: **41.737.07**

Bar code: **4006825412468**

Art.-No.: **41.737.04**

Bar code: **4006825412475**