

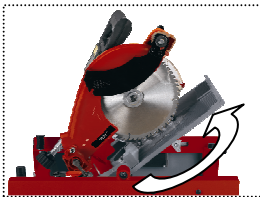
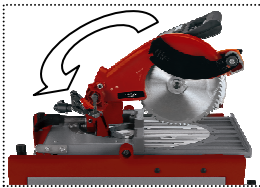
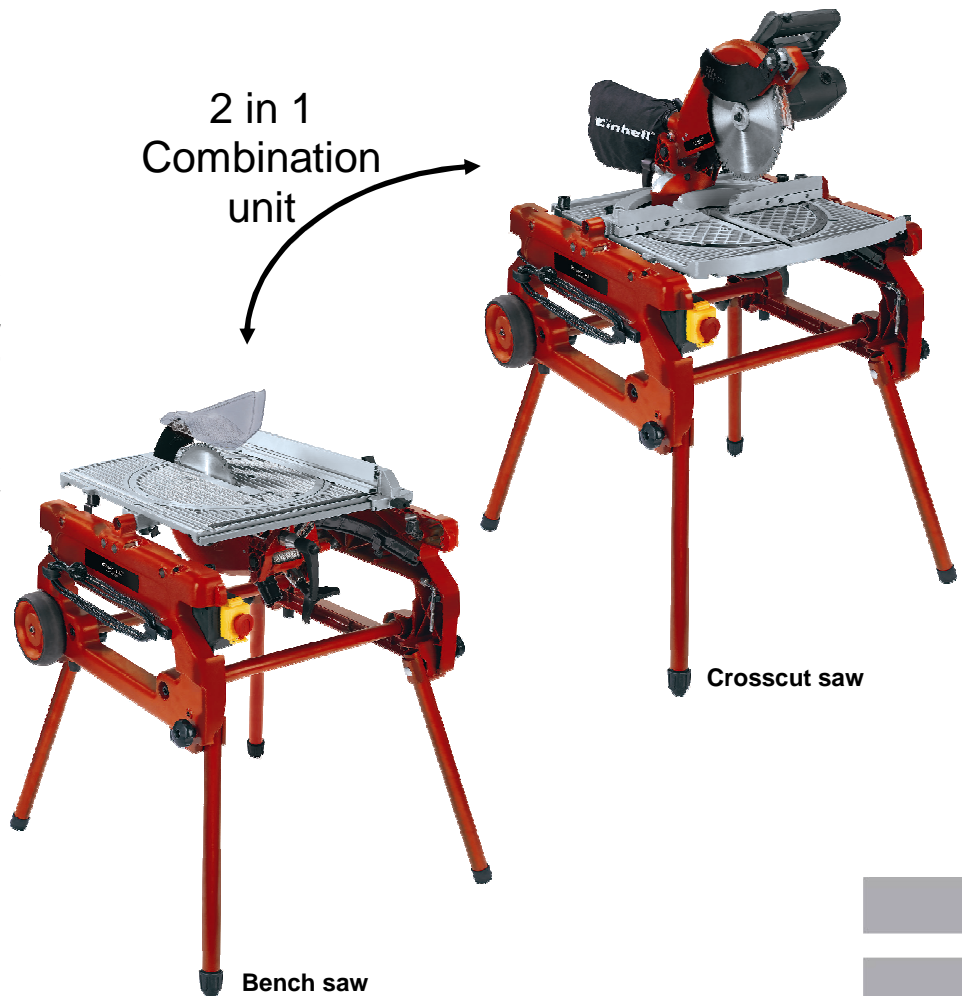
**RED**

RT-FF 1825 U

Bench, Crosscut and Mitre Saw

This compact bench, crosscut and mitre saw is an extremely practical multi-functional machine. It can be used as both a fully fledged crosscut saw and a bench circular saw and can be converted from one to the other with just a few moves. Large cut depths can be realized by the large saw blade in both modes. By the foldable baseframe and the transport rolls the machine is easily transportable and thus ideally mobile applicable.

2 in 1
Combination
unit



Features

- Combination unit: Bench saw and crosscut saw in one
- Large cutting depth due to a 250 mm TCT saw blade
- Foldable under carriage with transport function
- Two height adjustable feet
- Connection for dust extraction \varnothing 36 mm

Crosscut / mitre saw mode

- Rotary table can be turned from -45° to $+45^{\circ}$
- Can be used for double mitre cuts
- Saw head can be tilted continuously from 0° to 45°

Bench saw mode

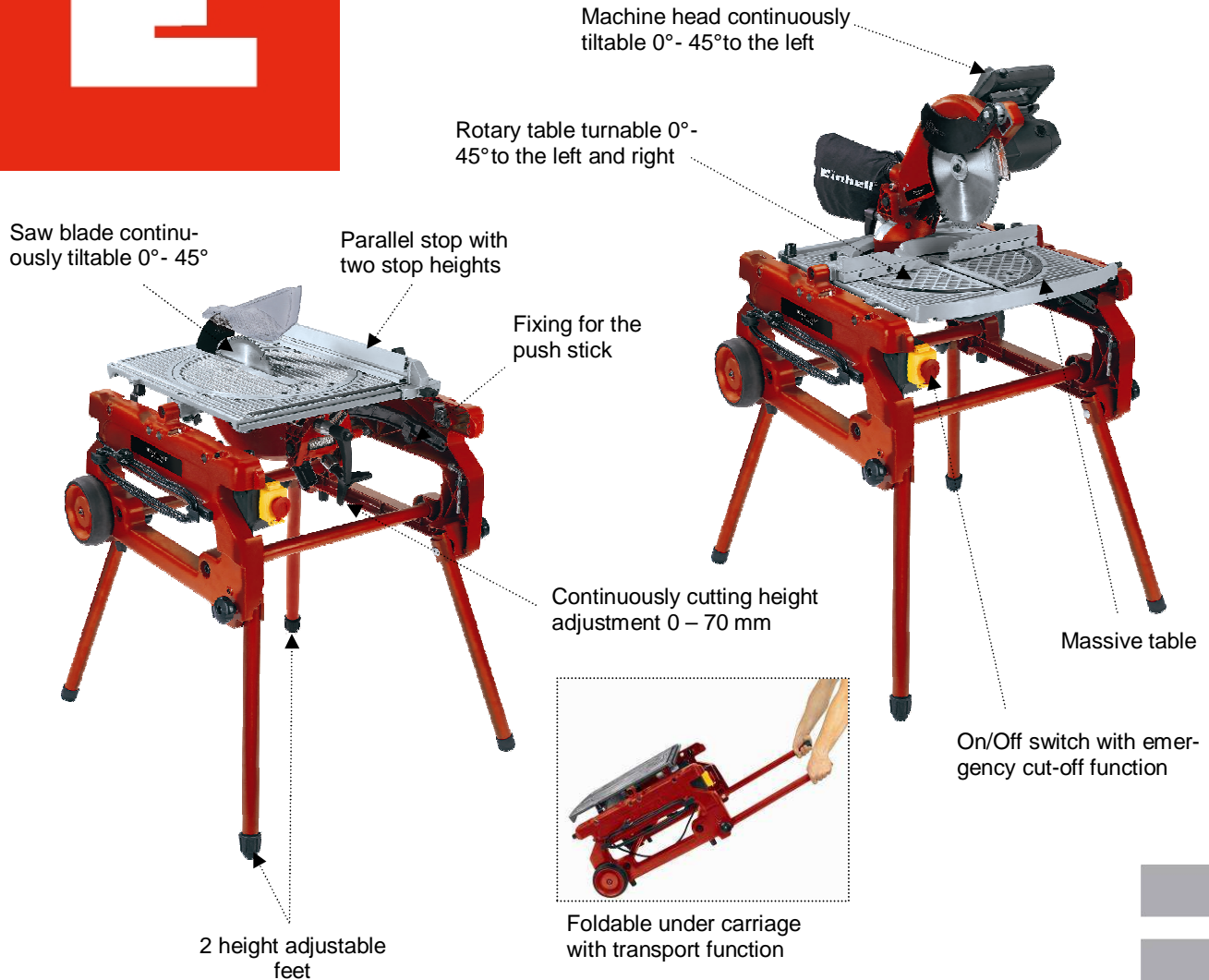
- Saw blade can be swiveled from 0° to 45°
- Cutting height adjustable from 0 to 70 mm



RED

RT-FF 1825 U

Bench, Crosscut and Mitre Saw



As special accessories available:

TCT saw blade 250 x 30 mm 24 T	43.111.10
TCT saw blade 250 x 30 mm 48 T	43.111.11
TCT saw blade 250 x 30 mm 60 T	43.111.13
TCT saw blade PRO 250 x 30 mm 80 T, Alu-case	45.021.52
TCT saw blade PRO 250 x 30 mm 80 T	45.021.53

Art.No.:

43.111.10
43.111.11
43.111.13
45.021.52
45.021.53

Logistic Information

Typ:	RT-FF 1825 U
Art.-No.:	43.072.20
Ident-No.:	01018
Bar code:	4006825 547108
Packaging:	760 x 700 x 450 mm
Sales unit:	1 pc
20'':	120 pcs
40'':	255 pcs
40'' HC:	--- pcs
Net weight:	36.4 kg
Gross weight:	39.1 kg

Technical Data

■ Mains:	230 V ~ 50 Hz
■ Power:	1,800 W
■ Idle speed:	4,200 rpm
■ Saw blade:	Ø 250 x Ø 30 x 3.0 mm, 60 teeth
■ Max. cutting depth bench circular saw:	70 mm at 90°
■ Max. cutting depth crosscut / mitre saw:	65 mm at 90° / 40 mm at 45°
■ Max. cutting width crosscut / mitre saw:	200 mm at 90° / 155 mm at 45°