



Einhell[®]

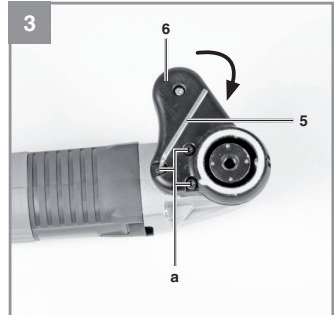
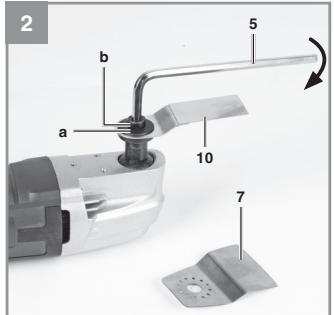
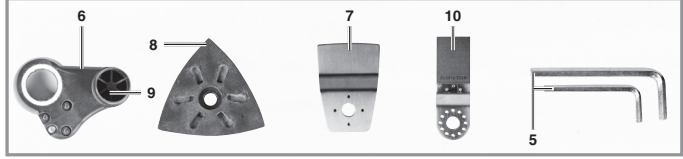
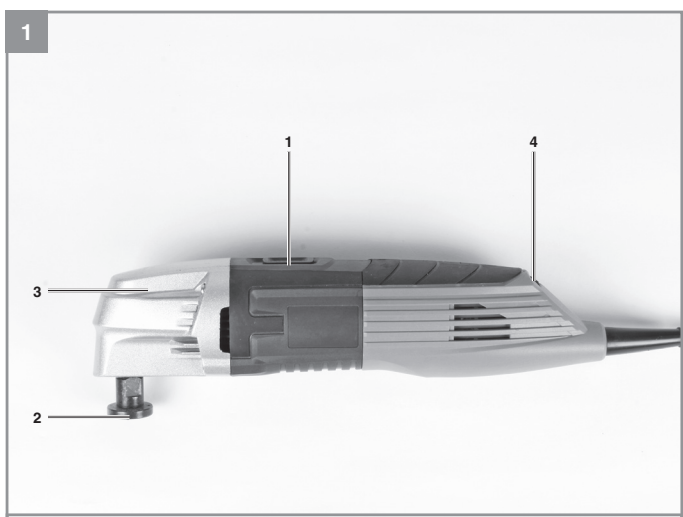
BT-MG 220 E

GB Original operating instructions
Multifunction tool

7 **CE**

Art.-Nr.: 44.650.56

I.-Nr.: 11011



-2-



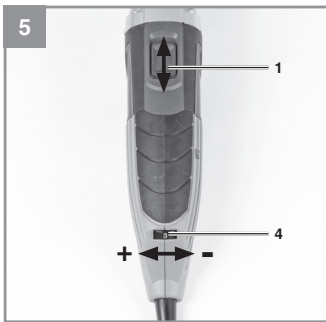
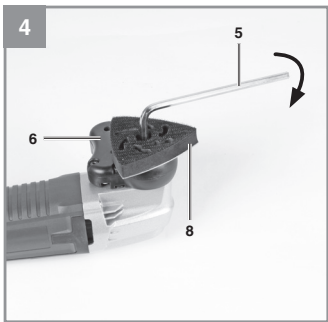




Table of contents

- 1. Safety regulations..... 15
- 2. Layout and items supplied..... 15
- 3. Proper use..... 15
- 4. Technical data 16
- 5. Before starting the equipment..... 16
- 6. Starting up..... 17
- 7. Replacing the power cable 17
- 8. Cleaning, maintenance and ordering of spare parts 18
- 9. Disposal and recycling 18
- 10. Storage..... 18
- Warranty certificate.....20





Caution - Read the operating instructions to reduce the risk of injury



Wear ear-muffs. The impact of noise can cause damage to hearing.



Wear a breathing mask. Dust which is injurious to health can be generated when working on wood and other materials. Never use the device to work on any materials containing asbestos!



Wear safety goggles. Sparks generated during working or splinters, chips and dust emitted by the device can cause loss of sight.

⚠ Important!

When using the equipment, a few safety precautions must be observed to avoid injuries and damage. Please read the complete operating instructions and safety regulations with due care. Keep this manual in a safe place, so that the information is available at all times. If you give the equipment to any other person, hand over these operating instructions and safety regulations as well. We cannot accept any liability for damage or accidents which arise due to a failure to follow these instructions and the safety instructions.

1. Safety regulations

The corresponding safety information can be found in the enclosed booklet.

⚠ Caution!**Read all safety regulations and instructions.**

Any errors made in following the safety regulations and instructions may result in an electric shock, fire and/or serious injury.

Keep all safety regulations and instructions in a safe place for future use.

2.2 Items supplied

- Open the packaging and take out the equipment with care.
- Remove the packaging material and any packaging and/or transportation braces (if available).
- Check to see if all items are supplied.
- Inspect the equipment and accessories for transport damage.
- If possible, please keep the packaging until the end of the guarantee period.

Important!

The equipment and packaging material are not toys. Do not let children play with plastic bags, foils or small parts. There is a danger of swallowing or suffocating!

- Original operating instructions
- Safety information
- Multifunction tool
- Triangular sanding/grinding plate
- Scraper
- Allen key (2x)
- Abrasive paper
- HSS saw blade
- Dust extraction device

2. Layout and items supplied**2.1 Layout (Fig. 1)**

1. On/Off switch
2. Tool chuck
3. Machine head
4. Speed controller
5. Allen key for changing tools
6. Dust extraction device
7. Scraper
8. Triangular sanding/grinding plate
9. Connection for dust extractor
10. HSS saw blade


3. Proper use

The equipment is designed for the sanding/grinding of wood, iron, plastic and similar materials using the appropriate sanding/grinding paper. Furthermore, the equipment is intended for sawing wood, plastic and similar materials, as well as scraping off glued carpets, filling compound residues, old paint and similar applications.

The equipment is to be used only for its prescribed purpose. Any other use is deemed to be a case of misuse. The user / operator and not the manufacturer will be liable for any damage or injuries of any kind caused as a result of this.

Please note that our equipment has not been designed for use in commercial, trade or industrial applications. Our warranty will be voided if the machine is used in commercial, trade or industrial businesses or for equivalent purposes.

4. Technical data

Mains voltage: 230 V ~ 50 Hz
 Power input: 220 W
 Idling speed: 15000-22000 rpm
 Sanding/grinding area: 90 x 90 x 90 mm
 Oscillation angle: 3°
 Protection class: II / 
 Weight: 1.4 kg

Sound and vibration

Sound and vibration values were measured in accordance with EN 60745.

L_{pA} sound pressure level 85 dB(A)
 K_{pA} uncertainty 3 dB
 L_{WA} sound power level 96 dB(A)
 K_{WA} uncertainty 3 dB

Wear ear-muffs.

The impact of noise can cause damage to hearing.

Total vibration values (vector sum of three directions) determined in accordance with EN 60745.

Handle

Vibration emission value $a_h = 6.77 \text{ m/s}^2$
 K uncertainty = 1.5 m/s²

Warning!

The specified vibration value was established in accordance with a standardized testing method. It may change according to how the electric equipment is used and may exceed the specified value in exceptional circumstances.

The specified vibration value can be used to compare the equipment with other electric power tools.

The specified vibration value can be used for initial assessment of a harmful effect.

Keep the noise emissions and vibrations to a minimum.

- Only use appliances which are in perfect working order.
- Service and clean the appliance regularly.
- Adapt your working style to suit the appliance.
- Do not overload the appliance.
- Have the appliance serviced whenever necessary.
- Switch the appliance off when it is not in use.
- Wear protective gloves.

Residual risks

Even if you use this electric power tool in accordance with instructions, certain residual risks cannot be ruled out. The following hazards may arise in connection with the equipment's construction and layout:

1. Lung damage if no suitable protective dust mask is used.
2. Damage to hearing if no suitable ear protection is used.
3. Health damage caused by hand-arm vibrations if the equipment is used over a prolonged period or is not properly guided and maintained.

5. Before starting the equipment

- Before you connect the equipment to the mains supply make sure that the data on the rating plate are identical to the mains data.

5.1 Fitting the plug-in tools (Figures 1/2)

- To fit the plug-in tools safely you should hold the multifunction tool so that the ON/OFF switch (1) points down and the tool mounting (2) faces up.
- Place the plug-in tool on the tool mounting (2) so that the pins of the tool mounting (2) fit into the recesses in the plug-in tool.
- Secure the plug-in tool using the supplied screw (b) and tighten the screw securely with the Allen key (9).
- Make sure that the washer (a) is used for the screw (b) only in connection with the saw blade and the scraper (see Figure 3). In this case the corrugated face of the washer must be placed against the plug-in tool.

Check that the plug-in tool is secure.

5.2 Triangular sanding/grinding plate

Fit the triangular sanding/grinding plate to use the equipment as a delta sander/grinder.

5.2.1 Fastening the sanding/grinding paper

The Velcro fastener enables easy changing of sanding/grinding paper. Make sure that the vacuum extraction holes on the sanding/grinding paper and the sanding/grinding disk are aligned.

5.3 Fitting the dust extraction device for the sanding/grinding plate (Fig. 3/4)

The dust extraction device prevents the accumulation of dirt and high dust loads in the air, and it makes it easier to dispose of the dust.

- Place the equipment in a stable position as shown in 5.1.
- Mount the dust extraction device (6) on the tool mounting (2) as shown in Fig. 3.
- Fasten the dust extraction device (6) with the screws (a).
- Place the triangular sanding/grinding plate (8) on the dust extraction device (6) and the tool mounting (2) so that the pins of the tool mounting (2) fit into the recesses of the triangular sanding/grinding plate (8), then fasten as shown in Fig. 4.
- Connect your tool to an extraction unit or vacuum cleaner. This will provide excellent extraction of chips and dust from the workpiece.

The benefits are that you will protect both the equipment and your own health. Your work area will also be clean and safe.

6. Starting up

6.1 Mise en/hors circuit (figure 5)

Pour la mise en service de l'appareil, il faut déplacer le commutateur (1) vers l'avant.

6.2 Consignes de travail

- Mettre l'appareil en circuit.
- Travailler en s'éloignant du corps.
- Ne jamais mettre les mains dans la zone immédiate de travail.
- Utiliser exclusivement des outils irréprochables et non endommagés.

6.2.1 Outils employés

Scier: Scier du bois et du plastique.

Consignes de travail : Faites attention aux corps étrangers lorsque vous sciez et ôtez-les le cas échéant.

Lors du sciage en plongée, usinez exclusivement des matériaux souples tels du bois ou du placoplâtre.

Meulage : Rectification plane aux bords, dans les coins ou les zones difficilement accessibles. En fonction de la feuille abrasive pour poncer le bois, la peinture, le vernis etc.

Consignes de travail : L'appareil est particulièrement performant pour le ponçage de coins et d'angles difficilement accessibles. Pour le ponçage de profilés et de gorges, on peut travailler également juste avec le bout ou un côté du plateau de ponçage. Selon le matériau à travailler et l'enlèvement souhaité de la surface, différents papiers de polissage sont disponibles. La capacité d'enlèvement est principalement déterminée par le choix du papier et le dosage de pression sur le plateau de ponçage.

Raclage : Racler d'anciennes peintures ou colles

Consignes de travail : Approchez l'outil employé de l'endroit à enlever. Commencez par un angle d'orientation plat et une faible force de pression. Lorsque la force de pression est trop importante, le support (p. ex. bois, enduit) peut être endommagé.

6.3 Régulateur de vitesse de rotation (figure 6)

En tournant le régulateur de vitesse de rotation (4), vous pouvez présélectionner la vitesse de rotation.

Vers le plus : augmentation de la vitesse de rotation

Vers le moins : réduction de la vitesse de rotation

7. Replacing the power cable

If the power cable for this equipment is damaged, it must be replaced by the manufacturer or its after-sales service or similarly trained personnel to avoid danger.

8. Cleaning, maintenance and ordering of spare parts

Always pull out the mains power plug before starting any cleaning work.

8.1 Cleaning

- Keep all safety devices, air vents and the motor housing free of dirt and dust as far as possible. Wipe the equipment with a clean cloth or blow it with compressed air at low pressure.
- We recommend that you clean the device immediately each time you have finished using it.
- Clean the equipment regularly with a moist cloth and some soft soap. Do not use cleaning agents or solvents; these could attack the plastic parts of the equipment. Ensure that no water can seep into the device.

8.2 Carbon brushes

In case of excessive sparking, have the carbon brushes checked only by a qualified electrician. Important! The carbon brushes should not be replaced by anyone but a qualified electrician.

8.3 Maintenance

There are no parts inside the equipment which require additional maintenance.

8.4 Ordering replacement parts:

Please quote the following data when ordering replacement parts:

- Type of machine
- Article number of the machine
- Identification number of the machine
- Replacement part number of the part required

For our latest prices and information please go to www.isc-gmbh.info

9. Disposal and recycling

The unit is supplied in packaging to prevent its being damaged in transit. This packaging is raw material and can therefore be reused or can be returned to the raw material system.

The unit and its accessories are made of various types of material, such as metal and plastic. Defective components must be disposed of as special waste. Ask your dealer or your local council.

10. Storage

Store the equipment and accessories out of children's reach in a dark and dry place at above freezing temperature. The ideal storage temperature is between 5 and 30 °C. Store the electric tool in its original packaging.



For EU countries only

Never place any electric power tools in your household refuse.

To comply with European Directive 2002/96/EC concerning old electric and electronic equipment and its implementation in national laws, old electric power tools have to be separated from other waste and disposed of in an environment-friendly fashion, e.g. by taking to a recycling depot.

Recycling alternative to the return request:

As an alternative to returning the equipment to the manufacturer, the owner of the electrical equipment must make sure that the equipment is properly disposed of if he no longer wants to keep the equipment. The old equipment can be returned to a suitable collection point that will dispose of the equipment in accordance with the national recycling and waste disposal regulations. This does not apply to any accessories or aids without electrical components supplied with the old equipment.

The reprinting or reproduction by any other means, in whole or in part, of documentation and papers accompanying products is permitted only with the express consent of the iSC GmbH.

Subject to technical changes

Warranty certificate

Dear Customer,

All of our products undergo strict quality checks to ensure that they reach you in perfect condition. In the unlikely event that your device develops a fault, please contact our service department at the address shown on this guarantee card. Of course, if you would prefer to call us then we are also happy to offer our assistance under the service number printed below. Please note the following terms under which guarantee claims can be made:

1. These guarantee terms cover additional guarantee rights and do not affect your statutory warranty rights. We do not charge you for this guarantee.
2. Our guarantee only covers problems caused by material or manufacturing defects, and it is restricted to the rectification of these defects or replacement of the device. Please note that our devices have not been designed for use in commercial, trade or industrial applications. Consequently, the guarantee is invalidated if the equipment is used in commercial, trade or industrial applications or for other equivalent activities. The following are also excluded from our guarantee: compensation for transport damage, damage caused by failure to comply with the installation/assembly instructions or damage caused by unprofessional installation, failure to comply with the operating instructions (e.g. connection to the wrong mains voltage or current type), misuse or inappropriate use (such as overloading of the device or use of non-approved tools or accessories), failure to comply with the maintenance and safety regulations, ingress of foreign bodies into the device (e.g. sand, stones or dust), effects of force or external influences (e.g. damage caused by the device being dropped) and normal wear resulting from proper operation of the device. This applies in particular to rechargeable batteries for which we nevertheless issue a guarantee period of 12 months. The guarantee is rendered null and void if any attempt is made to tamper with the device.
3. The guarantee is valid for a period of 2 years starting from the purchase date of the device. Guarantee claims should be submitted before the end of the guarantee period within two weeks of the defect being noticed. No guarantee claims will be accepted after the end of the guarantee period. The original guarantee period remains applicable to the device even if repairs are carried out or parts are replaced. In such cases, the work performed or parts fitted will not result in an extension of the guarantee period, and no new guarantee will become active for the work performed or parts fitted. This also applies when an on-site service is used.
4. In order to assert your guarantee claim, please send your defective device postage-free to the address shown below. Please enclose either the original or a copy of your sales receipt or another dated proof of purchase. Please keep your sales receipt in a safe place, as it is your proof of purchase. It would help us if you could describe the nature of the problem in as much detail as possible. If the defect is covered by our guarantee then your device will either be repaired immediately and returned to you, or we will send you a new device.

Of course, we are also happy offer a chargeable repair service for any defects which are not covered by the scope of this guarantee or for units which are no longer covered. To take advantage of this service, please send the device to our service address.

Einhell UK Ltd
Morpeth Wharf
Twelve Quays
Birkenhead, Wirral
CH41 1LF
Tel. 0151 6491500, Fax 0151 6491501



Konformitätserklärung

- | | |
|---|---|
| <p>D erklärt folgende Konformität gemäß EU-Richtlinie und Normen für Artikel</p> <p>GB explains the following conformity according to EU directives and norms for the following product</p> <p>F déclare la conformité suivante selon la directive CE et les normes concernant l'article</p> <p>I dichiara la seguente conformità secondo la direttiva UE e le norme per l'articolo</p> <p>NL verklaart de volgende overeenstemming conform EU richtlijn en normen voor het product</p> <p>E declara la siguiente conformidad a tenor de la directiva y normas de la UE para el artículo</p> <p>P declara a seguinte conformidade, de acordo com a directiva CE e normas para o artigo</p> <p>DK atestierer følgende overensstemmelse i medfør af EU-direktivt samt standarder for artikel</p> <p>S förklarar följande överensstämmelse enl. EU-direktiv och standarder för artikeln</p> <p>FIN vakuuttaa, että tuote täyttää EU-direktiivin ja standardien vaatimukset</p> <p>EE täiendab toote vastavust EL direktiivile ja standarditele</p> <p>CZ vydvává následující prohlášení o shodě podle směrnice EU a norem pro výrobek</p> <p>SLO potrjuje sledečo skladnost s smernico EU in standardi za izdelke</p> <p>SK vydváva nasledujúce prehlásenie o zhode podľa smernice EÚ a noriem pre výrobok</p> <p>H a cikkéhez az EU-irányvonal és Normák szerint a következő konformitást jelenti ki</p> | <p>PL deklaruje zgodność wymienionego poniżej artykułu z następującymi normami na podstawie dyrektywy WE.</p> <p>BG декларира съответното съответствие съгласно Директива на ЕС и норми за артикул</p> <p>LV paskaidro šādu atbilstību ES direktīvai un standartiem</p> <p>LT apibūdina šį atitikimą EU reikalavimams ir prekės normoms</p> <p>RO declară următoarea conformitate conform directivei UE și normelor pentru articolul</p> <p>GR δηλώνει την ακόλουθη συμμόρφωση σύμφωνα με την Οδηγία ΕΚ και τα πρότυπα για το προϊόν</p> <p>HR potvrđuje sljedeću usklađenost prema smjernicama EU i normama za artikl</p> <p>BIH potvrđuje sljedeću usklađenost prema smjernicama EU i normama za artikl</p> <p>RS potvrđuje sledeću usklađenost prema smernicama EU i normama za artikal</p> <p>RUS следующим удостоверяется, что следующие продукты соответствуют директивам и нормам ЕС</p> <p>UKR проголошує про зазначену нижче відповідність виробу директивам та стандартам ЄС на виріб</p> <p>MK ja najavuje sledneta soobrnost согласно EУ-директивата и нормите за артикли</p> <p>TR Ürünü ile ilgili AB direktifleri ve normlan gereğince aşağıda açıklanan uygunluğu belirtir</p> <p>N erklærer følgende samsvar i henhold til EU-direktivet og standarder for artikkelen</p> <p>IS Lýsir upplýfingu EU-reglna og annarra staðla vöru</p> |
|---|---|

Multifunktionswerkzeug BT-MG 220 E (Einhell)

- | | |
|---|--|
| <input type="checkbox"/> 87/404/EC_2009/105/EC | <input checked="" type="checkbox"/> 2006/42/EC |
| <input type="checkbox"/> 2005/32/EC_2009/125/EC | <input type="checkbox"/> Annex IV
Notified Body:
Notified Body No.:
Reg. No.: |
| <input type="checkbox"/> 2006/95/EC | <input type="checkbox"/> 2000/14/EC_2005/88/EC |
| <input type="checkbox"/> 2006/28/EC | <input type="checkbox"/> Annex V |
| <input checked="" type="checkbox"/> 2004/108/EC | <input type="checkbox"/> Annex VI
Noise measured: LWA = dB (A); guaranteed LWA = dB (A)
P = KW; L/G = cm |
| <input type="checkbox"/> 2004/22/EC | Notified Body: |
| <input type="checkbox"/> 1999/5/EC | <input type="checkbox"/> 2006/28/EC
Emission No.: |
| <input type="checkbox"/> 97/23/EC | |
| <input type="checkbox"/> 90/396/EC_2009/142/EC | |
| <input type="checkbox"/> 89/686/EC_96/58/EC | |
| <input checked="" type="checkbox"/> 2011/65/EC | |

Standard references:
EN 60745-1; EN 60745-2-4; EN 55014-1; EN 55014-2; EN 61000-3-2; EN 61000-3-3

Landau/Isar, den 30.12.2011

[Signature]
Weichselgartner/General-Manager

[Signature]
Unger/Product-Management

First CE: 11
Art.-No.: 44.850.56 L.-No.: 11011
Subject to change without notice

Archive-File/Record: NAPR005398
Documents registrar: Daniel Protschka
Wiesenweg 22, D-94405 Landau/Isar



Handwriting practice lines consisting of multiple horizontal lines for writing.





Two horizontal lines for writing, followed by 20 additional horizontal lines for writing.





Handwriting practice lines consisting of multiple horizontal lines for writing.





EH 01/2012 (01)

