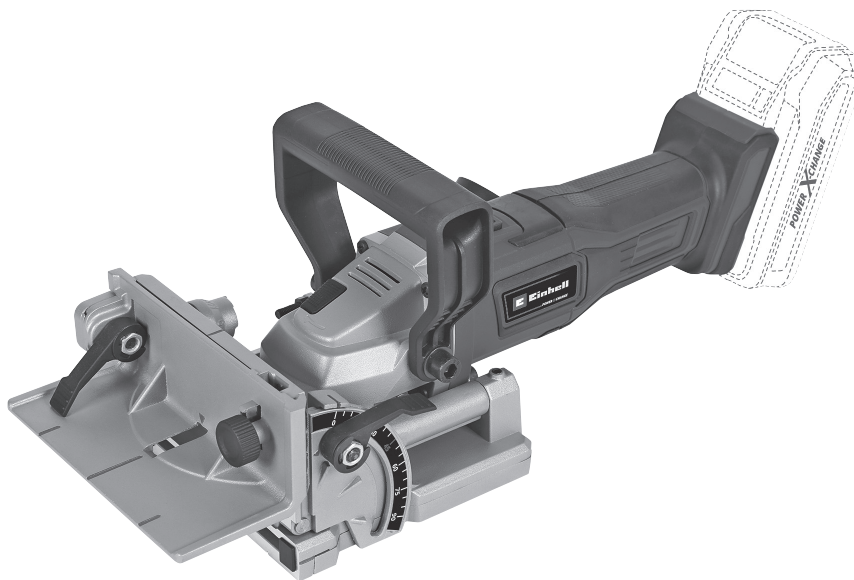


EN Operating instructions
Cordless Biscuit Joiner

FR Mode d'emploi
Fraiseuse à lamelles sans fil

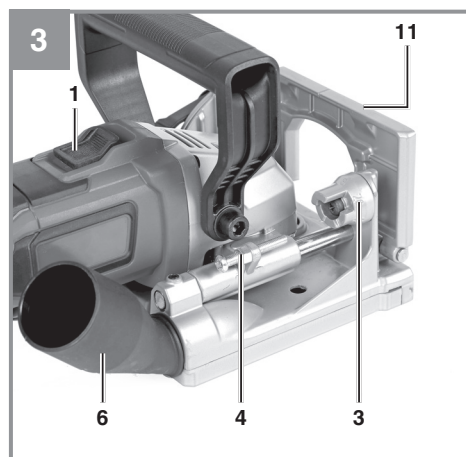
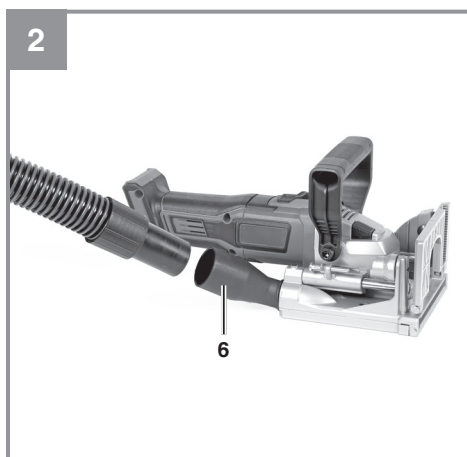
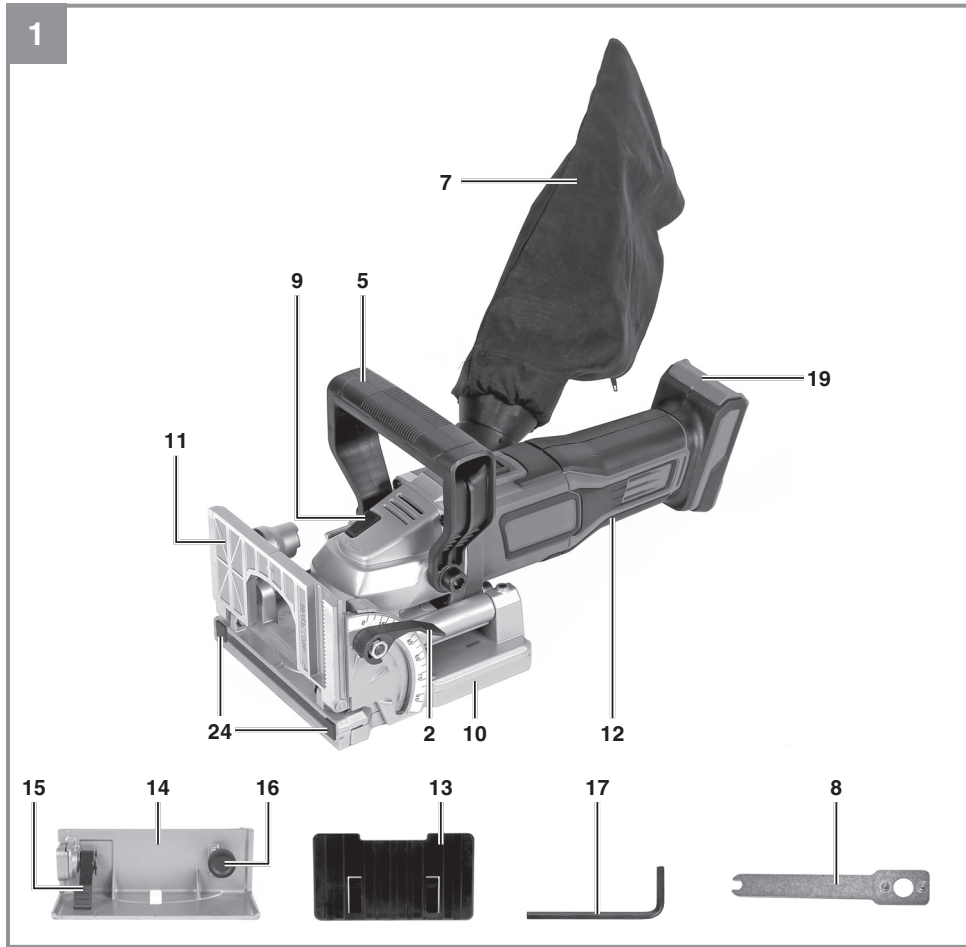
SP Manual de instrucciones
Engalletadora inalámbrica

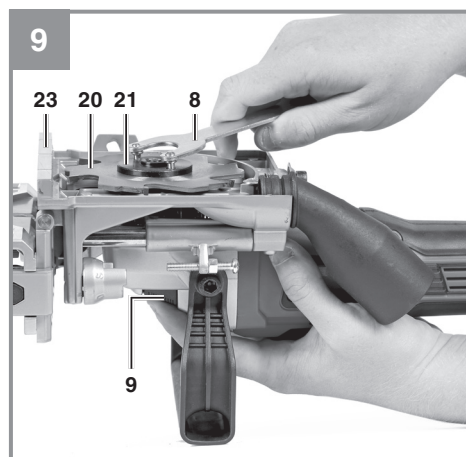
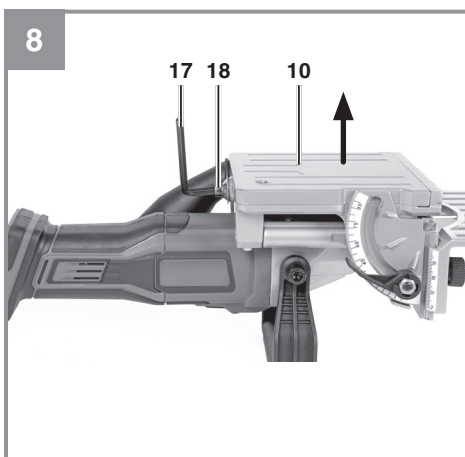
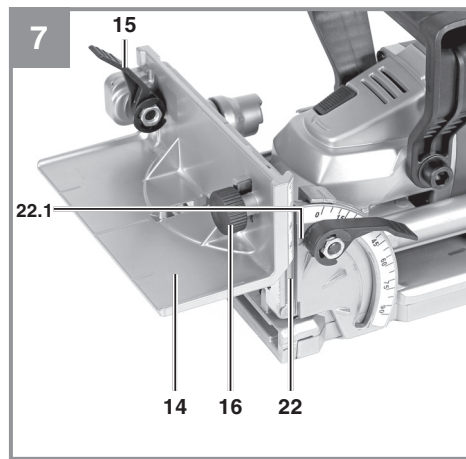
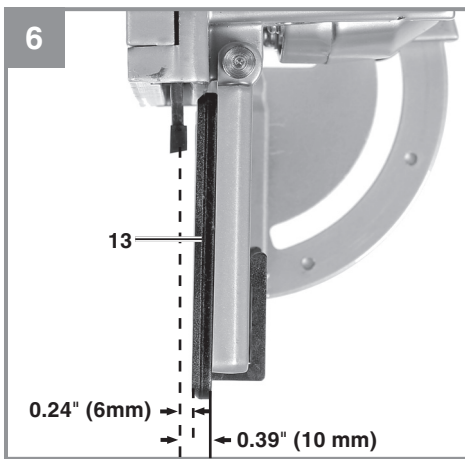
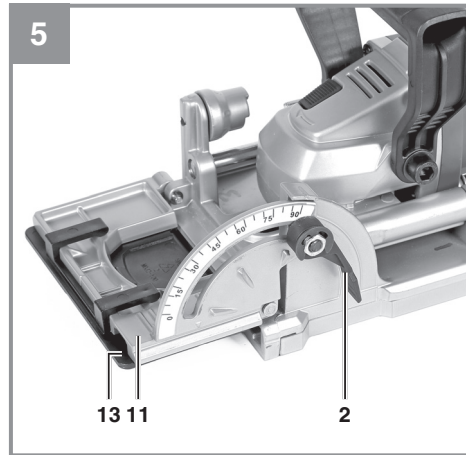
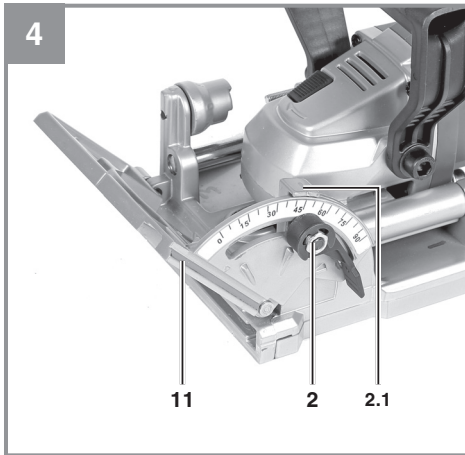


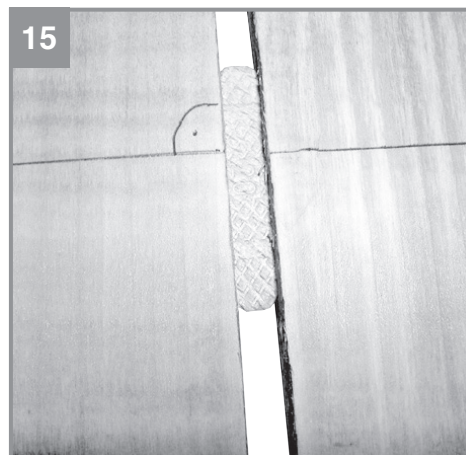
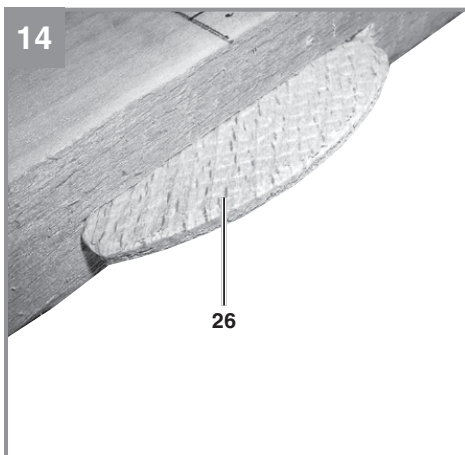
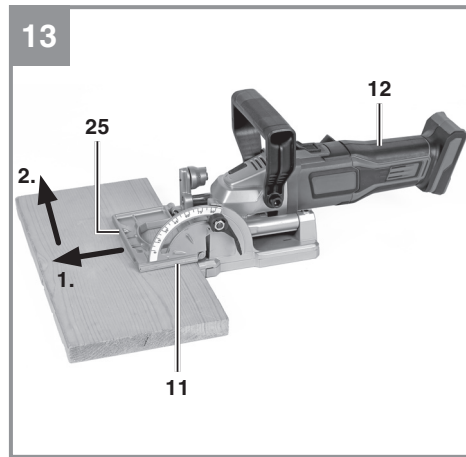
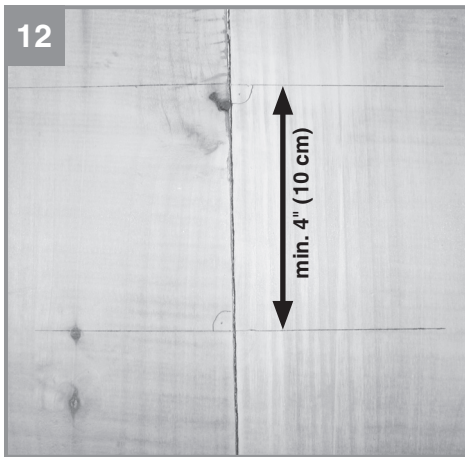
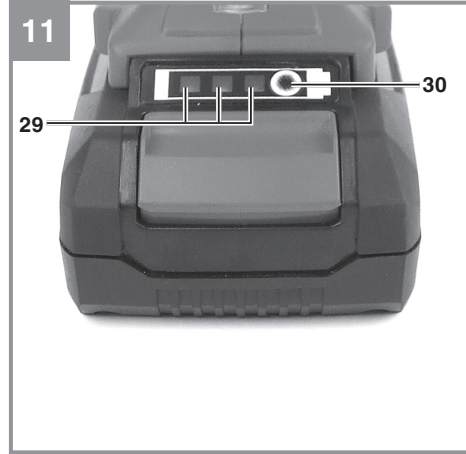
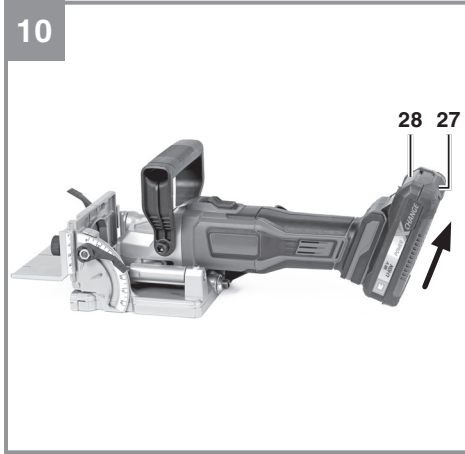
7

Art.-Nr.: 4350631

I.-Nr.: 21013









Danger! - Read the operating instructions to reduce the risk of injury.



Caution! Wear ear-muffs. The impact of noise can cause damage to hearing.



Caution! Wear a breathing mask. Dust which is injurious to health can be generated when working on wood and other materials. Never use the tool to work on any materials containing asbestos!



Caution! Wear safety goggles. Sparks generated during work or splinters, chips and dust emitted by the equipment can cause loss of sight.



Store the batteries only in dry rooms with an ambient temperature of 50°F to 104°F (+10°C to +40°C). Place only fully charged batteries in storage (charged at least 40%).

DANGER!

When using the equipment, a number of safety precautions must be observed to avoid injuries and damage. Please read the complete operating instructions and safety information with due care. Keep these operating instructions in a safe place so that the information is available at all times. If you give the equipment to any other person, hand over these operating instructions and the safety information as well. We cannot accept any liability for damage or accidents which arise due to failure to follow these instructions and the safety information.

1. Safety information**DANGER!**

Read all the safety information and instructions. Failure to adhere to the safety information and instructions set out below may result in electric shock, fire and/or serious injury. **Keep all the safety information and instructions in a safe place for future use.**

General safety information for power tools

The term "power tool" used in the safety regulations refers to power tools operated from the mains power supply (with a power cable) and to battery operated power tools (without a power cable).

1) Work area safety

- a) **Keep work area clean and well lit.**
Cluttered and dark areas invite accidents.
- b) **Do not operate power tools in explosive atmospheres, such as in the presence of flammable liquids, gases or dust.** *Power tools create sparks which may ignite the dust or fumes.*
- c) **Keep children and bystanders away while operating a power tool.** *Distractions can cause you to lose control.*

2) Electrical safety

- a) **Power tool plugs must match the outlet. Never modify the plug in any way. Do not use any adapter plugs with earthed (grounded) power tools.** *Unmodified plugs and matching outlets will reduce risk of electric shock.*
- b) **Avoid body contact with earthed or grounded surfaces such as pipes, radiators, ranges and refrigerators.** *There*

is an increased risk of electric shock if your body is earthed or grounded.

- c) **Do not expose power tools to rain or wet conditions.** *Water entering a power tool will increase the risk of electric shock.*
 - d) **Do not abuse the cord. Never use the cord for carrying, pulling or unplugging the power tool. Keep cord away from heat, oil, sharp edges or moving parts.** *Damaged or entangled cords increase the risk of electric shock.*
 - e) **When operating a power tool outdoors, use an extension cord suitable for outdoor use.** *Use of a cord suitable for outdoor use reduces the risk of electric shock.*
 - f) **If operating a power tool in a damp location is unavoidable, use a ground fault circuit interruptor (GFCI) protected supply.** *Use of an GFCI reduces the risk of electric shock.*
- 3) Personal safety**
- a) **Stay alert, watch what you are doing and use common sense when operating a power tool. Do not use a power tool while you are tired or under the influence of drugs, alcohol or medication.** *A moment of inattention while operating power tools may result in serious personal injury.*
 - b) **Use personal protective equipment. Always wear eye protection.** *Protective equipment such as dust mask, non-skid safety shoes, hard hat, or hearing protection used for appropriate conditions will reduce personal injuries.*
 - c) **Prevent unintentional starting. Ensure the switch is in the Off-position before connecting to power source and/or BATTERY pack, picking up or carrying the tool.** *Carrying power tools with your finger on the switch or energizing power tools that have the switch on invites accidents.*
 - d) **Remove any adjusting key or wrench before turning the power tool on.** *A wrench or a key left attached to a rotating part of the power tool may result in personal injury.*
 - e) **Do not overreach. Keep proper footing and balance at all times.** *This enables better control of the power tool in unexpected situations.*
 - f) **Dress properly. Do not wear loose clothing or jewellery. Keep your hair, clothing and gloves away from moving parts.** *Loose clothes, jewelry or long hair*

- can be caught in moving parts.
- g) **If devices are provided for the connection of dust extraction and collection facilities, ensure these are connected and properly used.** *Use of these devices can reduce dust related hazards.*
- h) **Do not let familiarity gained from frequent use of tools allow you to become complacent and ignore tool safety principles.** *A careless action can cause severe injury within a fraction of a second.*
- 4) Power tool use and care**
- a) **Do not force the power tool. Use the correct power tool for your application.** *The correct power tool will do the job better and safer at the rate for which it was designed.*
- b) **Do not use the power tool if the switch does not turn it on and off.** *Any power tool that cannot be controlled with the switch is dangerous and must be repaired.*
- c) **Disconnect the plug from the power source and/or remove the battery pack, if detachable, from the power tool before making any adjustments, changing accessories, or storing power tools.** *Such preventive safety measures reduce the risk of starting the power tool accidentally.*
- d) **Store idle power tools out of the reach of children and do not allow persons unfamiliar with the power tool or these instructions to operate the power tool.** *Power tools are dangerous in the hands of untrained users.*
- e) **Maintain power tools and accessories. Check for misalignment or binding of moving parts, breakage of parts and any other condition that may affect the power tool's operation. If damaged, have the power tool repaired before use.** *Many accidents are caused by poorly maintained power tools.*
- f) **Keep cutting tools sharp and clean.** *Properly maintained cutting tools with sharp cutting edges are less likely to bind and are easier to control.*
- g) **Use the power tool, accessories and tool bits etc., in accordance with these instructions and in the manner intended for the particular type of power tool, taking into account the working conditions and the work to be performed.** *Use of the power tool for operations different from intended could result in a hazardous situation.*
- h) **Keep handles and grasping surfaces dry, clean and free from oil and grease.** *Slippery handles and grasping surfaces do not allow for safe handling and control of the tool in unexpected situations.*
- 5) Battery tool use and care**
- a) **Recharge only with the charger specified by the manufacturer.** *A charger that is suitable for one type of battery pack may create a risk of fire when used with another battery pack.*
- b) **Use power tools only with specifically designated battery packs.** *Use of any other battery packs may create a risk of injury and fire.*
- c) **When battery pack is not in use, keep it away from other metal objects, like paper clips, coins, keys, nails, screws or other small metal objects that can make a connection from one terminal to another.** *Shorting the battery terminals together may cause burns or a fire.*
- d) **Under abusive conditions, liquid may be ejected from the battery; avoid contact. If contact accidentally occurs, flush with water. If liquid contacts eyes, additionally seek medical help.** *Liquid ejected from the battery may cause irritation or burns.*
- e) **Do not use a BATTERY pack or tool that is damaged or modified.** *Damaged or modified batteries may exhibit unpredictable behavior resulting in fire, EXPLOSION or risk of injury.*
- f) **Do not expose a BATTERY pack or tool to fire or excessive temperature.** *Exposure to fire or temperature above 266°F (130°C) may cause explosion.*
- g) **Follow all charging instructions and do not charge the BATTERY pack or tool outside the temperature range specified in the instructions.** *Charging improperly or at temperatures outside the specified range may damage the BATTERY and increase the risk of fire.*
- 6) Service**
- a) **Have your power tool serviced by a qualified repair person using only identical replacement parts.** *This will ensure that the safety of the power tool is maintained.*
- b) **Never service damaged BATTERY packs.** *Service of BATTERY packs should only be*

performed by the manufacturer or authorized service providers.

Additional safety instructions

We pay a great deal of attention to the design of every battery pack to ensure that we supply you with batteries which feature maximum power density, durability and safety. The battery cells have a wide range of safety devices. Each individual cell is initially formatted and its electrical characteristic curves are recorded. These data are then used exclusively to be able to assemble the best possible battery packs.

Despite all the safety precautions, caution must always be exercised when handling batteries. The following points must be obeyed at all times to ensure safe use. Safe use can only be guaranteed if undamaged cells are used. Incorrect handling can cause cell damage.

Caution! Analyses confirm that incorrect use and poor care are the main causes of the damage caused by high performance batteries.

Information about the battery

1. The battery pack supplied with your cordless tool is not charged. The battery pack has to be charged before you use the tool for the first time.
2. For optimum battery performance avoid low discharge cycles. Charge the battery pack frequently.
3. Store the battery pack in a cool place, ideally at 59°F (15°C) and charged to at least 40%.
4. Lithium-Ion batteries are subject to a natural ageing process. The battery pack must be replaced at the latest when its capacity falls to just 80% of its capacity when new. Weakened cells in an aged battery pack are no longer capable of meeting the high power requirements and therefore pose a safety risk.
5. Do not throw battery packs into an open fire. There is a risk of explosion!
6. Do not ignite the battery pack or expose it to fire.
7. **Do not exhaustively discharge batteries.** Exhaustive discharge will damage the battery cells. The most common cause of deep discharge is lengthy storage or non-use of partly discharged batteries. Stop working as soon as the performance of the battery falls noticeably or the electronic protection system triggers. Place the battery pack in storage only after it has been fully charged.

8. **Protect batteries and the tool from overloads.** Overloads will quickly result in overheating and cell damage inside the battery housing without this overheating actually being apparent externally.
9. **Avoid damage and shocks.** Replace batteries which have been dropped from a height of more than one meter or which have been exposed to violent shocks without delay, even if the housing of the battery pack appears to be undamaged. The battery cells inside the battery may have suffered serious damage. In this respect, please also read the waste disposal information.
10. If the battery pack suffers overloading and overheating, the integrated protective cut-off will switch off the equipment for safety reasons. Caution! Do not press the ON/OFF switch any more if the protective cut-off has actuated. This may damage the battery.
11. Use only original battery packs. The use of other batteries may result in injuries, explosion and a fire risk.
12. **Protect your rechargeable battery against moisture, rain and high humidity.** Moisture, rain and high humidity can cause dangerous cell damage. Never charge or work with batteries which have been exposed to moisture, rain or high humidity – replace them immediately.
13. If your equipment is fitted with a detachable battery, remove the battery for safety reasons after you have finished your work.

Information on chargers and the charging process

1. Please check the data marked on the rating plate of the battery charger. Be sure to connect the battery charger to a power supply with the voltage marked on the rating plate. Never connect it to a different mains voltage.
2. Protect the battery charger and its cable from damage and sharp edges. Have damaged cables repaired without delay by a qualified electrician.
3. Keep the battery charger, batteries and the cordless tool out of children's reach.
4. Do not use damaged battery chargers.
5. Do not use the supplied battery charger to charge other cordless tools.
6. In heavy use the battery pack will become warm. Allow the battery pack to cool to room temperature before commencing with the charging.
7. **Do not over-charge batteries.** Do not

exceed the maximum charging times. These charging times apply only to discharged batteries. Frequent insertion of a charged or partly charged battery pack will result in over-charging and cell damage. Do not leave batteries in the charger for more than 48 hours.

8. **Never use or charge batteries if you suspect that the last time they were charged was more than 12 months previously.** There is a high probability that the battery pack has already suffered dangerous damage (exhaustive discharge).
9. Charging batteries at a temperature below 50°F (10°C) will cause chemical damage to the cell and may cause a fire.
10. Do not use batteries which have heated during the charging process, as the battery cells may have suffered dangerous damage.
11. Do not use batteries which have suffered curvature or deformation during the charging process or which show other non-typical symptoms (gassing, hissing, cracking,...)
12. Never fully discharge the battery pack (recommended depth of discharge max. 80%) A complete discharge of the battery pack will lead to premature ageing of the battery cells.
13. Never charge the batteries unsupervised.

Protection from environmental influences

1. Wear suitable work clothes. Wear safety goggles.
2. **Protect your cordless tool and the battery charger from moisture and rain.** Moisture and rain can cause dangerous cell damage.
3. Do not use the cordless tool or the battery charger near vapors and inflammable liquids.
4. Use the battery charger and cordless tools only in dry conditions and an ambient temperature of 50°F to 104°F (10°C to 40°C).
5. Do not keep the battery charger in places where the temperature is liable to reach over 104°F (40°C). In particular, do not leave the battery charger in a car that is parked in the sunshine.
6. **Protect batteries from overheating.** Overloads, over-charging and exposure to direct sunlight will result in overheating and cell damage. Never charge or work with batteries which have been overheated – replace them immediately if possible.
7. **Storage of batteries, battery chargers and cordless tools.** Store the charger and your cordless tool only in dry places with an

ambient temperature of 50°F to 104°F (10°C to 40°C). Store the Lithium-Ion rechargeable battery in a cool and dry place at 50°F to 68°F (10°C to 20°C). Protect them from humidity and direct sunlight! Place only fully charged batteries in storage (charged at least 40%).

8. Prevent the Lithium-Ion battery pack from freezing. Battery packs which were stored below 32°F (0°C) for more than 60 minutes must be disposed of.
9. When handling batteries beware of electrostatic charge: Electrostatic discharges cause damage of the electronic protection system and the battery cells. Avoid electrostatic charging and never touch the battery poles.

Battery Caution + Disposal

Disposal

Should your appliance need replacement after extended use, do not dispose of it with the household refuse, but in an environmentally safe way.



Waste produced by electrical machine items should not be handled like normal household rubbish. Please recycle where recycle facilities exist. Check with your local authority or retailer for recycling advice.

Always dispose of your battery pack according to federal, state, provincial and local regulations. Contact a recycling agency in your area for recycling locations.

⚠ CAUTION! Even discharged battery packs contain some energy. Before disposing, use electrical tape to cover the terminals to prevent the battery pack from shorting, which could cause a fire or explosion.

⚠ WARNING! To reduce the risk of injury or explosion, never burn or incinerate a battery pack even if it is damaged, dead, or completely discharged. When burned, toxic fumes and materials are emitted into the surrounding atmosphere.

1. Batteries vary according to device. Consult your manual for specific information.
2. Install only new batteries of the same type in your product (where applicable).
3. Failure to insert batteries in the correct polarity, as indicated in the battery compartment or manual, may shorten the life of the batteries or cause batteries to leak.
4. Do not mix old and new batteries.
5. Do not mix Alkaline, Standard (Carbon-Zinc),

or Rechargeable (Nickel Cadmium, Nickel Metal Hydride, or Lithium-Ion) batteries.

6. Do not dispose of batteries in fire.
7. Batteries should be recycled or disposed of as per state, provincial and local guidelines.

When shipping or disposing of batteries and cordless tools, always ensure that they are packed individually in plastic bags to prevent short circuits and fires.

Special safety instructions

- Do not remove sawdust and chips while the machine is operating.
- Do not use the machine with abrasive wheels or circular saw blades.
- Protect the blade from shocks and blows.
- Only use blades that are undamaged and sharp, since otherwise the workpiece may splinter.
- Before you start work, inspect the blade for signs of damage. Do not use any bent, torn or otherwise damaged blades.
- Make sure that the workpiece has been carefully positioned and clamped. Keep your hands away from the area you wish to machine.
- Only hold the joiner by its handle.
- Make sure that you can screw the blade on to the drive spindle with an adequate number of turns.
- Make sure that the blade is secure. Do not use any washers or other equipment to improve its position when you fit the blade.
- Only move the blade against the workpiece with the machine switched on.
- Always hold and guide the machine with two hands when working and make sure that you have a firm standing position.
- People under the age of 16 must not use the machine.
- Wear safety goggles and ear guards when using the machine. If necessary, wear an apron and a helmet.
- You must disconnect the battery before starting any work on the machine. Only connect the battery with the machine switched off.
- Keep the connection lead away from where you are working; always put it to your rear.
- Do not slow down the blade with your hand after you have switched off the machine.
- The machine must not be operated with the blade exposed.
- Plug-in tools must be designed at least for the

speed range specified on the electric power tool. Blades or other plug-in tools operated at overspeed may break apart and cause serious injury.

Safety instructions for biscuit joiners

- **Disc cutters must be rated for at least the speed marked on the tool.** Disc cutters running over rated speed can fly apart and cause injury.
- **Always use the guard.** The guard protects the operator from broken disc cutter fragments and unintentional contact with the disc cutter.
- **Hold power tool by insulated gripping surfaces, because the cutter may contact its own cord.** Cutting a "live" wire may make exposed metal parts of the power tool "live" and could give the operator an electric shock.

SAVE THESE INSTRUCTIONS

2. Layout and items supplied

2.1 Layout

1. On/Off switch
2. Locking lever for angle adjustment
- 2.1. Marking
3. Stop for adjustment of the cutting depth
4. Adjustment screw for cutting depth
5. Additional handle
6. Adapter for dust bag
7. Dust bag
8. Face spanner
9. Spindle lock
10. Cover plate
11. Angle stop
12. Handle
13. Spacer plate
14. Height-adjustable stop
15. Locking lever for height-adjustable stop
16. Height adjustment wheel for height-adjustable stop
17. Hex. key
18. Cap screw
19. Battery mount
20. Blade
21. Flange
22. Height scale
- 22.1. Pointer
23. Base plate
24. Rubber tips
25. Markings

- 26. Biscuit (not supplied)
- 27. Battery (not supplied)
- 28. Push lock button
- 29. Battery capacity indicator
- 30. Battery capacity indicator button

2.2 Items supplied

Please check that the article is complete as specified in the scope of delivery. If parts are missing, please contact our service center or the store where you made your purchase at the latest within 5 work days after purchasing the article and upon presentation of a valid bill of purchase.

- Open the packaging and take out the equipment with care.
- Remove the packaging material and any packaging and/or transportation braces (if present).
- Check to see if all the items are supplied.
- Inspect the equipment and accessories for transport damage.
- If possible, keep the packaging until the end of the guarantee period.

Danger!

The equipment and packaging material are not toys. Do not let children play with plastic bags, plastic sheets and small parts. There is a risk of choking and suffocating!

- Cordless biscuit joiner
- Blade
- Dust bag
- Face spanner
- Hex. key
- Height-adjustable stop
- Spacer plate
- Rubber tips
- Original operating instruction with safety information

Separately available accessories

18V 1.5Ah PXC Lithium-Ion battery
 18V 2.0Ah PXC Lithium-Ion battery
 18V 2.5Ah PXC Lithium-Ion battery
 18V 3.0Ah PXC Lithium-Ion battery
 18V 4.0Ah PXC Lithium-Ion battery
 18V 3.0Ah PXC Plus Lithium-Ion battery
 18V 4.0Ah PXC Plus Lithium-Ion battery
 18V 5.2Ah PXC Plus Lithium-Ion battery
 18V 4.0Ah/6.0Ah PXC Plus Lithium-Ion battery
 18V 5.0Ah/8.0Ah PXC Plus Lithium-Ion battery
 18V PXC Dual Port Fast Charger
 18V PXC Fast Charger

Contact your local retailer for more specific models of batteries and charger available in your area. You can also explore battery + charger options at Einhell.com.


3. Intended use

The cordless biscuit joiner is designed for cutting slots in solid wood, plywood, and particleboard.

The equipment is allowed to be used only for its prescribed purpose. Any other use is deemed to be a case of misuse. The user/operator and not the manufacturer will be liable for any damage or injuries of any kind resulting from such misuse.

Please note that our equipment has not been designed for use in commercial, trade or industrial applications. Our warranty will be voided if the equipment is used in commercial, trade or industrial businesses or for equivalent purposes.

4. Technical data

Motor power supply: 18V 
 Rated speed: 6,500 RPM
 Blade dimensions: $\varnothing 4'' \times \varnothing \frac{7}{8}'' \times \frac{5}{32}''$
 Cutting depth: max. $\frac{3}{4}''$
 Angle adjustments: 0-90°
 Weight (Tool only): 5.9 lbs

Wear ear-muffs.

The impact of noise can cause damage to hearing.

Reduce noise generation and vibration to a minimum!

- Use only equipment that is in perfect condition.
- Maintain and clean the equipment regularly.
- Adapt your way of working to the equipment.
- Do not overload the equipment.
- Have the equipment checked if necessary.
- Switch off the equipment when not in use.

CAUTION!**Residual risks**

Even if you use this electric power tool in accordance with the instructions, certain residual risks cannot be eliminated. The following hazards may arise in connection with the equipment's construction and layout:

1. Lung damage if no suitable protective dust mask is used.
2. Damage to hearing if no suitable ear protection is applied.
3. Health damage caused by hand-arm vibrations if the equipment is used over a longer period or is not properly guided and maintained.

Limit the operating time.

All stages of the operating cycle must be considered (for example, times in which the electric tools are switched off and times in which the tool is switched on but operates without load).

5. Before starting the equipment**Warning!**

Always remove the battery pack before making adjustments to the equipment.

5.1 Dust bag assembly

- The dust bag (7) is mounted by pushing it onto the dust bag adapter (6).
- It can be rotated by the user into any position to make the work comfortable.
- If the dust bag (7) is full or you have finished your work, then it can be taken off again and emptied by opening the zip fastener.
- It is also possible to connect a vacuum cleaner to the dust bag adapter (6) (Fig. 2).

5.2 Adjusting the cutting depth (Fig. 3)

- A total of 6 different cutting depths can be selected.
- To do this, use the stop (3) to set the required cutting depth.
- The designations on the stop (3) indicate the various sizes of biscuit.
- The adjustment screw (4) can be used to readjust the cutting depth adjustment.

Size at stop	0	10	20	S	D	MAX*
Biscuit size	0	10	20	-	-	-
Slot depth	0.32" (8 mm)	0.39" (10 mm)	0.48" (12.3 mm)	0.51" (13 mm)	0.58" (14.7 mm)	0.79" (20 mm)

*without rubber tips

Warning!

Prior to use, check that the guard hood return mechanism works properly.

5.3 Adjustment of the cutting angle (Figs. 4 + 5 / item 11)

For slots on inclined surfaces, e.g. for miter joints, the angle of the angle stop (11) can be adjusted accordingly.

- Undo the locking lever for angle adjustment (2).
- Caution! The angle is indicated by the marking (2.1).
- You can freely adjust the angle stop (11) to any required angle between 0° and 90°.
- Then retighten the locking lever for angle adjustment (2).

Note:

If the angle stop (11) is set to an angle of 90° then the height between the middle of the blade and the angle stop (11) without the spacer plate (13) or height adjustment (14) is always 0.39". See Fig. 6.

5.4 Spacer plate (Figs. 5-6 / item 13)

The spacer plate (13) also allows thin workpieces to be cut. If the angle stop (11) is set to an angle of 90° then the height between the middle of the blade and the angle stop (11) is always 0.24". See Fig. 6.

To do this, mount the spacer plate (13) on the angle stop (11) as shown in Fig. 5.

Note: The spacer plate (13) can also be used on miter joints to ensure that the slot is not cut too deep.

5.5 Height adjustment (Fig. 7 / item 14)

With the height-adjustable stop (14) it is also possible to work on thinner workpieces. The height between the middle of the blade and the height-adjustable stop (14) can be adjusted between 0" and 1.57".

- Undo the locking lever for the height-adjustable stop (15).
- Then insert the height-adjustable stop (14) as shown in Fig. 7.
- Adjust the required height on the height scale (22) by means of the adjustment screw (16). The pointer (22.1) indicates the set height.
Note: The height of the slot should always be in the middle of the workpiece.
- Then retighten the locking lever for the height-adjustable stop (15) again.

Caution! The height-adjustable stop (14) must only be used with a cutting angle of 0°.

5.6 Changing the blade (Figs. 8-9)

Danger: The battery must be removed first. Remove the cover plate (10) by slightly loosening the cap screw and then take off the cover plate (10).

- Place the face spanner (8) on the flange (21).
- Press the spindle lock (9); hold it pressed and turn the face spanner in the direction of rotation. After approximately half a turn the spindle lock (9) will engage and the flange (21) can be released.
- Then release the blade (20) from the housing.
- As the next step, pull the blade (20) out of the base plate (23).
- Then insert the new blade (20), following the above instructions in reverse. Check that the direction of rotation of the blade is correct.
- Secure the cover plate (10) again.

Danger: Never press the spindle lock (9) while the motor is running. Check that the blade is stationary and securely seated before starting work.

Note: Do not use blunt or damaged blades.

5.7 Charging the Lithium-Ion battery (not included)

The corresponding instructions can be found in the original operating instructions for your charger.

5.8 Battery capacity indicator (Fig. 11 / item 29)

Press the battery capacity indicator switch (30). The battery capacity indicator (29) shows the charge status of the battery using 3 LEDs.

All 3 LEDs lit:

The battery is fully charged.

2 or 1 LED(s) lit:

The battery has an adequate remaining charge.

1 LED flashing:

The battery is empty, recharge the battery.

All LEDs flashing:

The temperature of the battery is too low. Remove the battery from the device and leave it at room temperature for a day. If the error occurs again, this means that the battery has been completely depthdischarged and is defective. Remove the battery from the device. Never use or charge a defective battery.

6. Operation

6.1 On/Off switch (Fig. 3/item 1)

To start the unit, slide the On/Off switch (1) forward and press it down. To switch off the biscuit joiner, depress the On/Off switch (1) at the back. The On/Off switch (1) will jump back into its starting position.

6.2 Marking a workpiece (Fig. 12)

Before you start working with the biscuit joiner, the workpiece must be marked as follows:

- Place the two parts side by side; the workpieces must be securely clamped.
- Draw a line with a pencil at right angles to the joint.
- Multiple joints will be required on longer pieces of wood.
- The distance between two lines should be at least 4".

Note:

On thicker workpieces you can create additional stability by cutting two slots one above the other; on thinner workpieces a single joint will be sufficient.

6.3 Positioning the biscuit joiner and cutting slots (Fig. 13)

Cutting slots with an angle of 0° at a particular height

- Adjust the angle stop (11) to 0° and then insert the height-adjustable stop (14).
- Adjust the required height with the aid of the height-adjustable stop (14) (see 5.5).
- Position the machine close to the workpiece.
- There are markings (25) on the machine; these must line up with the line marked on the workpiece.
- Then switch on the machine and push the handle (12) forward. The workpiece must be securely clamped when doing this.

Cutting slots with an angle between 0° and 90°

- Adjust the required cutting depth and check it (see 5.2).
- Adjust the required cutting angle using the angle stop (11) (see 5.3).
- Position the machine close to the workpiece.
- There are markings (25) on the machine; these must line up with the line marked on the workpiece.
- Then switch on the machine and push the handle (12) forward. The workpiece must be securely clamped when doing this.

CAUTION! The height-adjustable stop (14) must only be used with a cutting angle of 0°.

6.4 Connecting the workpieces (Figs. 14-15)

- Once you have cut a slot on both workpieces they can be connected.
- Apply glue in both slots.
- Insert a biscuit (26) into one of the slots (Fig. 14).
- Slide both workpieces together (Fig. 15).
- Clamp the workpieces and wait until the glue has set.

7. Cleaning and maintenance

HAZARD!

Always take the battery out of the equipment before starting any cleaning work.

7.1 Cleaning

- Keep all safety devices, air vents and the motor housing free of dirt and dust as far as

possible. Wipe the equipment with a clean cloth or blow it down with compressed air at low pressure.

- We recommend cleaning the equipment immediately each time after use.
- Clean the equipment regularly with a damp cloth and some soft soap. Do not use cleaning agents or solvents; these may be aggressive to the plastic parts in the equipment. Ensure that no water can get into the interior of the equipment. The ingress of water into an electric power tool increases the risk of an electric shock.

7.2 Maintenance

There are no other parts inside the equipment which require maintenance.

8. Disposal and recycling

The equipment is supplied in packaging to prevent it from being damaged in transit. The raw materials in this packaging can be reused or recycled. The equipment and its accessories are made of various types of material, such as metal and plastic. Never place defective equipment in your household refuse. The equipment should be taken to a suitable collection center for proper disposal. If you do not know the whereabouts of such a collection point, you should ask in your local council offices.

9. Storage

Store the equipment and its accessories out of children's reach in a dark and dry place at above freezing temperature. The ideal storage temperature is between 41°F and 86°F (5°C and 30°C). Keep the electric tool in its original packaging.

The reprinting or reproduction by any other means, in whole or in part, of documentation and papers accompanying the products is strictly subject to the express consent of Einhell Germany AG.

Subject to technical changes.



Danger! - Lire le mode d'emploi pour diminuer le risque de blessures.



Attention ! Portez une protection auditive. Le bruit peut provoquer une perte d'acuité auditive.



Attention ! Portez un masque anti-poussières. Des poussières nocives peuvent être générées lors des travaux avec le bois et autres matériaux. Ne travaillez pas avec un matériau contenant de l'amiante !



Attention ! Portez des lunettes de protection. Les étincelles créées pendant le travail ou les éclats, les copeaux et les poussières sortant de l'appareil peuvent entraîner la perte de la vue.



Conservez les batteries uniquement dans des locaux secs et à une température ambiante de 50-104 °F (+10-+40 °C). Conservez les batteries uniquement en état chargé (au moins 40 % de charge).

Danger !

Certaines mesures de sécurité doivent être respectées pendant l'utilisation des appareils pour empêcher les blessures et les dommages. Par conséquent, lisez attentivement le présent mode d'emploi / les consignes de sécurité. Conservez-les bien pour avoir les informations toujours à la portée de la main. Si vous devez passer l'appareil à d'autres personnes, veuillez leur remettre également le présent mode d'emploi / les consignes de sécurité. Nous ne sommes pas tenus des accidents ou dommages survenus à cause de non-respect du présent mode d'emploi et des consignes de sécurité.

1. Consignes de sécurité**Danger !**

Lisez toutes les consignes de sécurité et instructions. Le non-respect des consignes de sécurité et des instructions peut causer une électrocution, un incendie et / ou de graves blessures. **Conservez toutes les consignes de sécurité et instructions pour l'avenir.**

Consignes générales de sécurité pour les outils électriques

Le terme « outil électrique » utilisé dans les consignes de sécurité se réfère à des outils électriques alimentés par le secteur (avec câble d'alimentation) et à des outils électriques alimentés par la batterie (sans câble d'alimentation).

1. Sécurité du lieu de travail

- a) **Maintenez votre espace de travail propre et bien éclairé.** *Le désordre ou les espaces de travail non éclairés peuvent provoquer des accidents.*
- b) **Ne travaillez pas avec l'outil électrique dans une atmosphère explosible contenant des liquides, des gaz ou des poussières combustibles.** *Les appareils électriques génèrent des étincelles pouvant enflammer la poussière ou les vapeurs.*
- c) **Tenez à distance les enfants et autres personnes lors de l'utilisation de l'appareil électrique.** *En cas de distraction, vous pouvez perdre le contrôle de l'appareil.*

2. Sécurité électrique

- a) **La fiche de raccordement de l'appareil électrique doit être adaptée à la prise. La fiche ne doit être modifiée en aucune façon. N'utilisez pas de fiche d'adaptateur avec les outils électriques mis à la terre.** *Les fiches non modifiées et les prises adaptées diminuent le risque d'une électrocution.*
 - b) **Évitez le contact physique avec les surfaces mises à la terre, comme celles de conduits, des chauffages, des cuisinières et des réfrigérateurs.** *Il existe un risque élevé d'électrocution lorsque votre corps est mis à la terre.*
 - c) **Gardez les appareils électriques à l'abri de la pluie ou de l'humidité.** *La pénétration de l'eau dans un appareil électrique augmente le risque d'une électrocution.*
 - d) **Ne détournez pas le câble de sa fonction pour porter ou pour accrocher l'appareil électrique ou pour retirer la fiche de la prise. Gardez le câble à l'abri de la chaleur, de l'huile, des bords coupants ou des éléments mobiles de l'appareil.** *Les câbles endommagés ou enchevêtrés augmentent le risque d'une électrocution.*
 - e) **Si vous travaillez avec un appareil électrique dehors, utilisez uniquement une rallonge adaptée à l'usage à l'extérieur.** *L'utilisation d'une rallonge adaptée à l'usage à l'extérieur diminue le risque d'une électrocution.*
 - f) **Si l'appareil électrique doit être utilisé dans un environnement humide, utilisez un Disjoncteur de fuite à la terre.** *L'utilisation d'un disjoncteur de fuite à la terre diminue le risque d'une électrocution.*
- 3. Sécurité des personnes**
- a) **Soyez attentif, prenez garde à ce que vous faites et soyez raisonnable en travaillant avec un outil électrique. N'utilisez pas un appareil électrique si vous êtes fatigué ou si vous vous trouvez sous l'effet de drogues, d'alcool ou de médicaments.** *Un instant d'inattention lors de l'utilisation de l'appareil électrique peut entraîner de graves blessures.*
 - b) **Utilisez l'équipement de protection individuelle. Porter toujours une protection des yeux.** *L'équipement de protection, tel que le masque anti-poussière, les chaussures de sécurité antidérapantes, le casque protecteur ou la protection auditive utilisés dans des conditions appropriées, permet de réduire les*

- dommages corporels.*
- c) **Évitez tout démarrage non intentionnel. S'assurer que le bouton marche-arrêt est en position Arrêt (Off) avant de connecter la source de courant et/ou la BATTERIE, de prendre et de transporter l'outil.** *Transporter des outils électriques avec votre doigt sur le bouton marche-arrêt ou mettre sous tension des outils électriques dont le bouton marche-arrêt est position Marche (On) peut causer des accidents.*
- d) **Avant d'allumer l'outil électrique, retirez les outils de réglage ou les clés.** *Un outil ou une clé se trouvant dans un élément tournant de la machine peut entraîner des blessures.*
- e) **Évitez une posture anormale. Ayez un appui stable et gardez l'équilibre en permanence.** *Vous pouvez ainsi mieux contrôler l'outil électrique dans des situations imprévues.*
- f) **Portez des vêtements appropriés. Ne portez pas de vêtements amples ni de bijoux. Gardez les cheveux, les vêtements et les gants à distance des éléments mobiles.** *Des vêtements amples, bijoux ou longs cheveux peuvent être happés par les éléments mobiles.*
- g) **Si des dispositifs d'aspiration ou de récupération des poussières peuvent être montés, assurez-vous qu'ils sont connectés et peuvent être utilisés correctement.** *L'utilisation d'une aspiration des poussières peut diminuer les risques causés par la poussière.*
- h) **La familiarité acquise par l'utilisation fréquente des outils ne doit pas laisser place à la complaisance et à l'ignorance des principes de sécurité de l'outil.** *Une action imprudente peut causer de graves blessures en une fraction de seconde.*
- 4. Utilisation et traitement de l'outil électrique**
- a) **Ne surchargez pas l'appareil.** *Utilisez l'outil électrique adapté à votre application. Vous travaillez mieux et de manière plus sûre avec un outil électrique approprié dans la gamme de puissance indiquée.*
- b) **N'utilisez pas un outil électrique avec un interrupteur défectueux.** *Un outil électrique qui ne peut plus être allumé ou éteint est dangereux et doit être réparé.*
- c) **Débranchez la fiche de la source électrique et / ou retirez la batterie de l'outil électrique, si elle est amovible, avant de procéder à des ajustements, remplacer des accessoires ou ranger les outils électriques.** *De telles mesures préventives réduisent le risque de démarrage accidentel de l'outil électrique.*
- d) **Conservez les outils électriques non utilisés hors la portée des enfants. Ne permettez pas aux personnes qui ne sont pas familiarisées avec cet appareil ou qui n'ont pas lu ces instructions de l'utiliser.** *Les outils électriques sont dangereux lorsqu'ils sont utilisés par des personnes inexpérimentées.*
- e) **Entretenez les outils électriques et les accessoires. Vérifiez la dérive d'alignement ou l'attache des pièces mobiles, la rupture des pièces et s'assurer qu'aucun autre problème peut affecter le bon fonctionnement de l'outil électrique. Faire réparer l'outil endommagé avant l'utilisation.** *De nombreux accidents sont dus au mauvais entretien des outils électriques.*
- f) **Maintenez vos outils de coupe aiguisés et propres.** *Les outils de coupe aux bords tranchants bien soignés se coincent moins et sont plus aisés à guider.*
- g) **Utilisez l'outil électrique, les accessoires, les outils utilisés, etc. conformément au présent mode d'emploi. Tenez compte des conditions de travail et de l'activité à réaliser.** *L'utilisation des outils électriques pour des usages autres que prévus peut entraîner des situations dangereuses.*
- h) **Gardez les poignées et les surfaces de prise sèches, propres et exemptes d'huile et de graisse.** *Les poignées et surfaces de prise glissantes ne permettent pas d'effectuer une manipulation et un contrôle de l'outil en toute sécurité dans des situations imprévues.*
- 5. Utilisation et traitement de l'outil sans fil**
- a) **Chargez les batteries uniquement dans les chargeurs recommandés par le fabricant.** *L'utilisation d'un chargeur pour des batteries non appropriées présente un risque d'incendie.*
- b) **Utilisez dans les outils électriques uniquement les batteries prévues à cet effet.** *L'utilisation d'autres batteries peut entraîner des blessures et le risque d'incendie.*
- c) **Conservez la batterie non utilisée à distance des trombones, pièces de monnaie, clés, clous, vis ou autres menus objets en métal susceptibles de provoquer un**

pontage des contacts. *Un court-circuit entre les contacts de la batterie peut entraîner des brûlures ou le feu.*

- d) **En cas d'utilisation incorrecte, un liquide peut s'échapper de la batterie. Ne le touchez pas. Rincez à l'eau en cas de contact fortuit. Si le liquide entre en contact avec les yeux, consultez également le médecin.** *Le liquide s'échappant de la batterie peut causer des irritations cutanées ou des brûlures.*
- e) **Ne pas utiliser une BATTERIE ou un outil endommagé(e) ou modifié(e).** *Les batteries endommagées ou modifiées peuvent agir de manière imprévisible et donner lieu à un incendie, une EXPLOSION ou un risque de blessure.*
- f) **Ne pas exposer une BATTERIE ou un outil au feu ou à une température excessive.** *Une exposition au feu ou à une température supérieure à 266°F (130°C) peut causer une explosion.*
- g) **Suivre toutes les instructions de charge et ne pas charger la BATTERIE ou l'outil en dehors de la gamme de température spécifiée dans les instructions.** *Un mauvais chargement ou un chargement à des températures en dehors de la gamme spécifiée peut endommager la BATTERIE et augmenter les risques d'incendie.*
6. **Service**
- a) **Faites réparer votre outil électrique uniquement par des spécialistes qualifiés et uniquement avec des pièces de rechange d'origine.** *Cela garantit le maintien de la sécurité de l'outil électrique.*
- b) **Ne jamais entretenir des BATTERIES endommagées.** *L'entretien des BATTERIES doit être effectué uniquement par le fabricant ou par des prestataires de service autorisés.*

Consignes spécifiques de sécurité

Nous construisons chaque batterie avec le plus grand soin possible pour pouvoir vous transmettre les batteries avec la densité énergétique, la durabilité et la sécurité maximales. Les cellules de batterie sont munies de dispositifs de sécurité de plusieurs niveaux. Chaque cellule individuelle est d'abord formatée, et leurs courbes caractéristiques sont enregistrées. Ensuite, ces données sont utilisées pour pouvoir regrouper les meilleures batteries possible.

Malgré toutes les mesures de sécurité, il faut toujours être prudent en maniant les

batteries. Les points suivants doivent être impérativement respectés pour assurer le fonctionnement sûr.

Le fonctionnement sûr n'est possible qu'avec des cellules intactes ! Une manipulation incorrecte endommage les cellules.

Attention ! Des analyses confirment que l'utilisation gravement inappropriée et des soins incorrects constituent la cause principale des dommages dus aux batteries haute performance.

Consignes concernant les batteries

1. La batterie de l'appareil sans fil n'est pas chargée à la livraison. Par conséquent, la batterie doit être chargée avant la première mise en service.
2. Évitez des cycles de décharge à plat pour garantir la performance maximale de la batterie ! Chargez souvent votre batterie.
3. Conservez votre batterie au frais, au mieux à 59 °F (+15 °C), et chargée d'au moins à 40%.
4. Les batteries Lithium-Ion sont sujettes au vieillissement naturel. La batterie doit être remplacée au plus tard lorsque la capacité de la batterie ne correspond plus qu'à 80 % de l'état neuf. Les cellules affaiblies dans une batterie vieillie ne tiennent plus la tête aux exigences élevées en terme de performance et présentent ainsi un risque de sécurité.
5. Ne jetez pas les batteries usées dans le feu ouvert. Risque d'explosion !
6. Ne pas allumer la batterie et ne pas l'exposer à la combustion.
7. **Ne pas décharger complètement la batterie !** La décharge complète endommage les cellules de la batterie. La cause la plus fréquente de la décharge complète de la batterie constitue un stockage ou non-utilisation prolongés des batteries à moitié chargées. Terminez l'opération dès que la puissance diminue visiblement ou la protection électronique réagit. Ne conservez la batterie que complètement chargée.
8. **Protéger les batteries et l'appareil contre la surcharge !** Une surcharge provoque rapidement la surchauffe et l'endommagement des cellules à l'intérieur du boîtier de batterie, sans que cela puisse se voir de l'extérieur.
9. **Évitez les détériorations et les chocs !** Remplacez sur-le-champ les batteries ayant chuté d'une hauteur de plus d'un mètre ou ayant été exposées à des coups violents, même si le boîtier de la batterie semble intact.

Les cellules de la batterie peuvent être sérieusement endommagées à l'intérieur. Respectez à cet égard également les consignes d'élimination.

10. En cas de surcharge et de surchauffe, le circuit de protection intégré éteint l'appareil pour des raisons de sécurité.
Attention ! N'actionnez plus l'interrupteur marche / arrêt lorsque le circuit de protection a éteint l'appareil. Cela peut endommager la batterie.
11. N'utilisez que des batteries d'origine. L'utilisation d'autres batteries peut entraîner des blessures, une explosion et le risque d'incendie.
12. **Protégez votre batterie de l'humidité, de la pluie et de l'humidité de l'air élevée.** L'humidité, la pluie et l'humidité de l'air élevée peuvent endommager dangereusement les cellules. En aucun cas, ne chargez ni ne travaillez avec la batterie qui a été exposée à l'humidité, à la pluie ou à l'humidité de l'air élevée – remplacez-les immédiatement !
13. Si votre appareil est équipé d'une batterie amovible, retirez-la de votre appareil à la fin de votre travail pour des raisons de sécurité.

Consignes concernant le chargeur et la charge

1. Tenez compte des informations indiquées sur la plaque signalétique du chargeur. Raccordez le chargeur uniquement à la tension d'alimentation indiquée sur la plaque signalétique.
2. Protégez le chargeur et le fil contre l'endommagement et les bords coupants. Les câbles endommagés doivent être immédiatement remplacés par un électricien.
3. Protéger le chargeur, les batteries et l'appareil sans fil contre les enfants.
4. Ne pas utiliser des chargeurs endommagés.
5. N'utilisez pas le chargeur fourni pour charger d'autres appareils sans fil.
6. En cas de forte sollicitation, la batterie se réchauffe. Laissez refroidir la batterie à la température ambiante avant le chargement.
7. **Ne pas surcharger les batteries !** Respectez les durées maximales du chargement. Ces durées de chargement s'appliquent uniquement aux batteries déchargées. Le branchement répété d'une batterie chargée ou partiellement chargée entraîne la surcharge et l'endommagement des cellules. Ne pas laisser les batteries insérées dans le chargeur pendant plus que 48 heures.

8. **N'utilisez ni chargez pas les batteries que vous supposez avoir été chargées pour la dernière fois depuis plus de 12 mois.** Il est hautement probable que la batterie est déjà dangereusement endommagée (déchargement complet).
9. Un chargement à une température inférieure à 50 °F (10 °C) entraîne une détérioration chimique de la cellule et peut provoquer un incendie.
10. N'utilisez pas de batteries qui se sont réchauffées pendant le chargement, car les cellules de la batterie pourraient être dangereusement endommagées.
11. N'utilisez plus les batteries qui se sont bombées ou déformées pendant le chargement ou qui présentent des symptômes inhabituels (dégazage, sifflement, grésillement, ...).
12. Ne déchargez pas complètement la batterie (déchargement maximal recommandé max. 80 %). Le déchargement complet entraîne un vieillissement précoce des cellules de la batterie.
13. Ne chargez jamais les batteries sans surveillance !

Protection contre l'impact environnemental

1. Portez des vêtements de travail appropriés. Porter des lunettes de protection.
2. **Protégez votre appareil sans fil et le chargeur contre l'humidité et la pluie.** L'humidité et la pluie peuvent entraîner des endommagements dangereux des cellules.
3. Ne pas utiliser l'appareil sans fil et le chargeur dans un espace contenant des vapeurs et des liquides combustibles.
4. Utilisez le chargeur et les appareils sans fil uniquement en état sec et à une température ambiante de 50-104 °F (10-40 °C).
5. Ne conservez pas la batterie dans des endroits où la température peut être supérieure à 104 °F (40 °C), en particulier dans un véhicule garé au soleil.
6. **Protégez les batteries contre la surchauffe !** Une surcharge, un chargement excessif ou le rayonnement solaire entraînent la surchauffe et détériorent les cellules. Ne chargez ni travaillez en aucun cas avec les batteries qui ont été surchauffées, remplacez-les sans tarder.
7. **Conservation des batteries, des chargeurs et de l'appareil sans fil.** Conservez le chargeur et votre appareil sans fil uniquement dans des locaux secs à une température ambiante de 50-104 °F (10-40 °C).

- Conservez la batterie Lithium-Ion au frais et au sec à 50-68 °F (10-20 °C). Protégez contre l'humidité de l'air et le rayonnement solaire direct ! Conservez les batteries uniquement en état chargé (au moins 40 % de charge).
- Empêchez que la batterie Lithium-Ion gèle. Les batteries qui ont été conservées plus de 60 minutes au-dessous de 32 °F (0 °C) doivent être éliminées.
 - Attention lors de la manipulation des batteries en rapport avec la charge électrostatique : les décharges électrostatiques endommagent la protection électronique et les cellules de la batterie ! Par conséquent, évitez les décharges électrostatiques et ne touchez jamais les pôles de la batterie !

Mise en garde concernant les batteries et informations sur leur élimination

Élimination

Si votre outil doit être remplacé après une période d'utilisation prolongée, ne le jetez pas avec les ordures ménagères, mais éliminez-le d'une manière respectueuse pour l'environnement.



Les déchets produits par les éléments d'un outil ou d'une machine électrique ne doivent pas être traités comme des déchets ménagers. Veuillez les recycler dans les installations prévues à cet effet.

Pour obtenir des conseils sur le recyclage, communiquez avec les services publics locaux ou avec votre revendeur.

Éliminez toujours les batteries en vous conformant aux réglementations fédérales, provinciales ou territoriales et locales.

Communiquez avec un organisme de recyclage de votre région pour obtenir la liste des sites de recyclage.

⚠ MISE EN GARDE! Même déchargée, une batterie emmagasine une certaine énergie. Avant de l'éliminer, utilisez du ruban isolant pour couvrir les bornes et empêcher ainsi la batterie de provoquer un court-circuit, ce qui pourrait causer un incendie ou une explosion.

⚠ AVERTISSEMENT! Pour réduire le risque de blessure ou d'explosion, ne jamais brûler ou incinérer une batterie, même si elle est endommagée, à plat ou complètement déchargée. En brûlant, des vapeurs et des matières toxiques sont émises dans l'atmosphère environnante.

- Les batteries varient selon le type d'outils ou de machines. Consulter le manuel pour des

- renseignements spécifiques.
- Le cas échéant, insérez uniquement des batteries neuves de même type dans l'outil ou la machine.
 - Si, en l'insérant, la polarité de la batterie n'est pas respectée, comme indiqué dans le compartiment à batterie ou dans le manuel, sa durée de vie pourrait être réduite ou elle pourrait fuir.
 - Ne pas mélanger des batteries anciennes et des neuves.
 - Ne pas mélanger des batteries alcalines, standard (carbone/zinc) ou rechargeables (au nickel-cadmium, au nickel-métal-hydrure ou au lithium-ion).
 - Ne jeter aucune batterie au feu. Les cellules de batterie peuvent exploser.
 - Les batteries doivent être recyclées ou éliminées en observant les directives provinciales ou territoriales et locales.

Pour expédier ou éliminer les batteries ou l'appareil sans fil, veillez à ce qu'ils soient emballés individuellement dans un sac en plastique pour empêcher les courts-circuits ou les incendies !

Consignes de sécurité particulières

- N'enlevez pas la sciure et les copeaux lorsque la machine est en marche.
- N'utilisez pas la machine avec des meules abrasives ou des lames de scie circulaire.
- Protégez la lame des chocs et des coups.
- N'utilisez que des lames non endommagées et tranchantes, sinon la pièce pourrait se briser.
- Avant de commencer à travailler, inspectez la lame pour des signes de dommages. N'utilisez pas de lames tordues, déchirées ou autrement endommagées.
- Assurez-vous que la pièce a été soigneusement positionnée et serrée. Gardez vos mains éloignées de la zone que vous souhaitez usiner.
- Ne tenez la fraiseuse que par sa poignée.
- Assurez-vous que vous pouvez visser la lame sur l'axe d'entraînement avec un nombre de tours suffisant.
- Assurez-vous que la lame est bien fixée. N'utilisez pas de rondelles ou d'autres équipements pour améliorer sa position lorsque vous installez la lame.
- Déplacez la lame contre la pièce uniquement lorsque la machine est en marche.
- Tenez et guidez toujours la machine à deux

mains lorsque vous travaillez et assurez-vous d'avoir une position debout ferme.

- Les personnes de moins de 16 ans ne doivent pas utiliser la machine.
- Portez des lunettes de sécurité et des protège-oreilles lorsque vous utilisez la machine. Si nécessaire, portez un tablier et un casque.
- Vous devez débrancher la batterie avant de commencer tout travail sur la machine. Branchez la batterie uniquement lorsque la machine est éteinte.
- Maintenez le câble de raccordement éloigné de l'endroit où vous travaillez ; placez-le toujours à l'arrière.
- Ne ralentissez pas la lame avec votre main après avoir éteint la machine.
- La machine ne doit pas être utilisée avec la lame exposée.
- Les outils enfichables doivent être conçus au moins pour la gamme de vitesse spécifiée sur l'outil électrique. Les lames ou autres outils enfichables utilisés à une vitesse excessive peuvent se briser et causer des blessures graves.

Consignes de sécurité pour les fraiseuses à lamelles

- **Les lames doivent être conçues au moins pour la gamme de vitesse spécifiée sur l'outil électrique.** Les lames utilisées au-delà de la vitesse spécifiée peuvent se briser et causer des blessures.
- **Utilisez toujours le capot de protection.** Un capot de protection offre une protection contre les pièces qui se détachent de la lame et peut empêcher l'utilisateur de toucher accidentellement la lame.
- **Tenez toujours l'outil électrique par les poignées isolées car la lame peut heurter son propre cordon d'alimentation.** Le contact avec un câble sous tension peut également mettre sous tension les parties métalliques de l'équipement et provoquer un choc électrique.

CONSERVEZ CES INSTRUCTIONS

2. Description de l'appareil et contenu de l'emballage

2.1 Description de l'appareil

1. Interrupteur marche/arrêt
2. Levier de verrouillage pour le réglage de l'angle
- 2.1. Marques
3. Butée pour le réglage de la profondeur de coupe
4. Vis de réglage de la profondeur de coupe
5. Poignée supplémentaire
6. Adaptateur de sac de poussière
7. Sac de poussière
8. Clé à molette
9. Verrou de l'arbre
10. Plaque
11. Butée d'angle
12. Poignée
13. Plaque d'espacement
14. Butée réglable en hauteur
15. Levier de verrouillage pour butée réglable en hauteur
16. Bouton de réglage en hauteur pour butée réglable en hauteur
17. Clé hexagonale
18. Boulon à tête cylindrique
19. Support de batterie
20. Lame
21. Bride
22. Échelle de la hauteur
- 22.1. Indicateur
23. Plaque de base
24. Embouts en caoutchouc
25. Marques
26. Lamelle (non fourni)
27. Batterie (non fourni)
28. Touche d'enclenchement
29. Témoin de charge de la batterie
30. Bouton de témoin de charge de la batterie

2.2 Contenu d'emballage

Veillez contrôler l'intégralité de l'article au moyen du contenu d'emballage décrit. En cas de pièces manquantes, veuillez contacter notre centre de service à la clientèle ou le point de vente où vous avez acheté l'appareil au plus tard dans les 5 jours ouvrables à compter de l'achat de l'article en présentant un ticket de caisse valable.

- Ouvrez l'emballage et retirez prudemment l'appareil.
- Enlevez le matériau d'emballage ainsi que les sécurités d'emballage et de transport (le cas échéant).

- Vérifiez l'intégralité du contenu d'emballage.
- Vérifiez si l'appareil et les accessoires présentent des dommages dus au transport.
- Si possible, conservez l'emballage jusqu'à l'expiration de la durée de garantie.

Danger !

L'appareil et le matériau d'emballage ne sont pas un jouet ! Les enfants ne doivent pas jouer avec des sachets en plastique, des films ou de petites pièces ! Il existe le risque d'ingestion et de suffocation !

- Fraiseuse à lamelles sans fil
- Lame
- Sac de poussière
- Clé à molette
- Clé hexagonale
- Butée réglable en hauteur
- Plaque d'espacement
- Embouts en caoutchouc
- Mode d'emploi d'origine avec consignes de sécurité

Accessoires disponibles séparément

18V 1,5Ah PXC batterie Lithium-Ion
 18V 2,0Ah PXC batterie Lithium-Ion
 18V 2,5Ah PXC batterie Lithium-Ion
 18V 3,0Ah PXC batterie Lithium-Ion
 18V 4,0Ah PXC batterie Lithium-Ion
 18V 3,0Ah PXC Plus batterie Lithium-Ion
 18V 4,0Ah PXC Plus batterie Lithium-Ion
 18V 5,2Ah PXC Plus batterie Lithium-Ion
 18V 4,0Ah/6,0Ah PXC Plus batterie Lithium-Ion
 18V 5,0Ah/8,0Ah PXC Plus batterie Lithium-Ion
 18V PXC chargeur rapide à double raccord
 18V PXC chargeur rapide

Contactez votre détaillant pour les modèles plus spécifiques de batteries et de chargeurs disponibles dans votre région. Vous pouvez également explorer les options de batterie + chargeur sur Einhell.com.

3. Utilisation conforme


La fraiseuse à lamelles sans fil est conçue pour couper des fentes dans le bois massif, le contre-plaqué et les panneaux de particules.

La machine ne doit être utilisée que conformément à sa destination. Toute autre utilisation dépassant ce cadre n'est pas conforme. C'est

l'utilisateur / l'opérateur qui est responsable de tous les dommages ou blessures de toute nature en résultant et non pas le fabricant.

Veillez noter que nos appareils n'ont pas été conçus pour une utilisation commerciale, artisanale ou industrielle. Nous n'accordons aucune garantie si l'appareil est utilisé dans des entreprises commerciales, artisanales ou industrielles ou pour des activités équivalentes.

4. Caractéristiques techniques

Alimentation du moteur: 18V 
 Vitesse sans charge : 6,500 tr/min (min⁻¹)
 Dimensions de la lame : ..ø 100 x ø 22 x 4 mm (ø 4" x ø 7/8" x 5/32")
 Profondeur de coupe : max. 20 mm (3/4")
 Réglages d'angle : 0-90°
 Poids (Outil seulement): 2,7 kg (5,9 lb)

Portez une protection auditive.

Le bruit peut provoquer une perte d'acuité auditive.

Limitez à un minimum l'émission de bruit et les vibrations !

- Utilisez uniquement des appareils irréprochables.
- Entretenez et nettoyez l'appareil régulièrement.
- Adaptez votre méthode de travail à l'appareil.
- Ne surchargez pas l'appareil.
- Faites examiner l'appareil le cas échéant.
- Éteignez l'appareil lorsqu'il n'est plus utilisé.

Attention !

Risques résiduels

Il existe toujours des risques même si vous vous servez correctement de cet outil électrique. Les risques suivants peuvent se produire en rapport avec la structure et la réalisation de cet outil électrique :

1. Lésions pulmonaires, si vous ne portez pas de masque anti-poussières approprié.
2. Lésions auditives, si vous ne portez pas de protection auditive appropriée.
3. Dommages pour la santé résultant des vibrations mains-bras, si votre appareil est utilisé d'une manière prolongée ou tenu et entretenu de manière incorrecte.

Limitez la durée de travail.

À cet égard, toutes les parties du cycle de fonctionnement doivent être respectées (par exemple, les périodes pendant lesquelles l'outil électrique est éteint et celles pendant lesquelles il reste allumé mais fonctionne sans charge).

5. Avant la mise en marche**Avertissement !**

Retirez toujours la batterie avant d'effectuer des réglages sur l'équipement.

5.1 Montage du sac de poussière

- Le sac de poussière (7) est monté en le poussant sur l'adaptateur de sac de poussière (6).
- Il peut être tourné par l'utilisateur dans n'importe quelle position pour rendre le travail confortable.
- Si le sac de poussière (7) est plein ou si vous avez terminé votre travail, vous pouvez le retirer et le vider en ouvrant la fermeture éclair.
- Il est également possible de raccorder un aspirateur à l'adaptateur pour sac de poussière (6) (Fig. 2).

5.2 Réglage de la profondeur de coupe (Fig. 3)

- Au total, 6 profondeurs de coupe différentes peuvent être sélectionnées.
- Pour ce faire, utilisez la butée (3) pour régler la profondeur de coupe souhaitée.
- Les désignations sur la butée (3) indiquent les différentes tailles de lamelles.
- La vis de réglage (4) peut être utilisée pour réajuster le réglage de la profondeur de coupe.

Taille-butée	0	10	20	S	D	MAX*
Taille-lamelle	0	10	20	-	-	-
Prof. coupe	0,32" (8 mm)	0,39" (10 mm)	0,48" (12,3 mm)	0,51" (13 mm)	0,58" (14,7 mm)	0,79" (20 mm)

*sans embouts en caoutchouc

Avertissement !

Avant utilisation, vérifiez que le mécanisme de retour du capot de protection fonctionne correctement.

5.3 Réglage de l'angle de coupe (Figs. 4 + 5 / Pos 11)

Pour les rainures sur des surfaces inclinées, par exemple pour les joints à onglet, l'angle de la butée d'angle (11) peut être ajusté en conséquence.

- Desserrez le levier de verrouillage pour le réglage de l'angle (2).
- Attention ! L'angle est indiqué par la marque (2.1).
- Vous pouvez régler librement la butée d'angle (11) à n'importe quel angle entre 0° et 90°.
- Resserrez ensuite le levier de verrouillage pour le réglage de l'angle (2).

Note :

Si la butée d'angle (11) est réglée sur un angle de 90°, la hauteur entre le milieu de la lame et la butée d'angle (11) sans la plaque d'espacement (13) ou le réglage de la hauteur (14) est toujours de 10 mm (0,39"). Voir Fig. 6.

5.4 Plaque d'espacement (Figs. 5-6 / Pos 13)

La plaque d'écartement (13) permet également de couper des pièces fines. Si la butée d'angle (11) est réglée sur un angle de 90°, la hauteur entre le milieu de la lame et la butée d'angle (11) est toujours de 6 mm (0,24"). Voir Fig. 6. Pour ce faire, montez la plaque d'écartement (13) sur la butée angulaire (11) comme indiqué à la Fig. 5.

Note : La plaque d'espacement (13) peut également être utilisée sur des joints à onglet pour s'assurer que la rainure n'est pas coupée trop profondément.

5.5 Réglage de la hauteur (Fig. 7 / Pos 14)

Avec la butée réglable en hauteur (14), il est également possible de travailler sur des pièces plus fines. La hauteur entre le milieu de la lame et la butée réglable en hauteur (14) peut être réglée entre 0 mm et 40 mm (0" et 1,57").

- Desserrez le levier de la butée réglable en hauteur (15).
- Insérez ensuite la butée réglable en hauteur (14) comme indiqué à la Fig. 7.
- Réglez la hauteur souhaitée sur l'échelle de hauteur (22) au moyen du bouton de réglage (16). L'indicateur (22.1) indique la hauteur réglée.

Note : La hauteur de la rainure doit toujours être au milieu de la pièce.

- Resserrez le levier de la butée réglable en hauteur (15).

Prudence ! La butée réglable en hauteur (14) ne doit être utilisée qu'avec un angle de coupe de 0°.

5.6 Changement de la lame (Figs. 8-9)

Danger : La batterie doit d'abord être retirée.

Retirez la plaque (10) en desserrant légèrement le boulon à tête cylindrique, puis retirez la plaque (10).

- Placer la clé à molette (8) sur la bride (21).
- Appuyez sur le verrou de l'arbre (9) ; maintenez-le enfoncé et tournez la clé à molette dans le sens de rotation. Après environ un demi-tour, le verrou de l'arbre (9) s'enclenche et la bride (21) peut être libérée.
- Dégagez ensuite la lame (20) du boîtier.
- À l'étape suivante, retirez la lame (20) de la plaque de base (23).
- Insérez ensuite la nouvelle lame (20) en suivant les instructions ci-dessus en sens inverse. Vérifiez que le sens de rotation de la lame est correct.
- Fixez à nouveau la plaque (10).

Danger : N'appuyez jamais sur le verrou de l'arbre (9) pendant que le moteur tourne. Vérifiez que la lame est immobile et solidement installée avant de commencer à travailler.

Note : N'utilisez pas de lames émoussées ou endommagées.

5.7 Chargement de la batterie au Lithium-Ion (non inclus)

Vous trouverez les instructions correspondantes dans le mode d'emploi d'origine de votre chargeur.

5.8 Affichage de la capacité de la batterie (image 11/Pos. 29)

Appuyez sur l'interrupteur de l'affichage de la capacité de la batterie (30). L'affichage de la capacité de la batterie (29) signale l'état de charge de la batterie au moyen de 3 DEL.

Les 3 DEL s'allument:

La batterie est complètement chargée.

2 ou 1 DEL s'allument:

La batterie a une charge résiduelle suffisante.

1 DEL clignote:

La batterie est déchargée, chargez la batterie.

Tous les voyants clignotent :

La température de la batterie est trop basse. Retirez la batterie de l'appareil, laissez-la à température ambiante pendant une journée. Si le défaut se reproduit, cela signifie que la batterie rechargeable a subi une décharge complète et est défectueuse. Retirez la batterie de l'équipement. N'utilisez ou ne chargez jamais une batterie défectueuse.

6. Opération

6.1 Interrupteur marche/arrêt (Fig. 3/Pos 1)

Pour démarrer l'appareil, glissez l'interrupteur marche/arrêt (1) vers l'avant et appuyez dessus. Pour éteindre l'appareil, appuyez sur l'interrupteur marche/arrêt (1) à l'arrière. L'interrupteur marche/arrêt (1) revient dans sa position de départ.

6.2 Marquage d'une pièce de travail (Fig. 12)

Avant de commencer à travailler avec la fraiseuse à lamelles, la pièce doit être marquée comme suit :

- Placez les deux pièces côte à côte ; les pièces doivent être solidement serrées.
- Tracez une ligne au crayon perpendiculairement au joint.
- Plusieurs joints seront nécessaires sur les pièces de bois plus longues.
- La distance entre deux lignes doit être d'au moins 10 cm (4").

Note :

Sur les pièces plus épaisses, vous pouvez créer une stabilité supplémentaire en coupant deux rainures l'une au-dessus de l'autre ; sur des pièces plus fines, un seul joint suffit.

6.3 Positionnement de la fraise à lamelles et rainures de coupe (Fig. 13)

Couper des rainures avec un angle de 0° à une certaine hauteur

- Réglez la butée d'angle (11) à 0° puis insérez la butée réglable en hauteur (14).
- Réglez la hauteur souhaitée à l'aide de la butée réglable en hauteur (14) (voir 5.5).
- Positionnez la machine près de la pièce à usiner.
- Il y a des marques (25) sur la machine ; ceux-ci doivent être alignés avec la ligne tracée sur la pièce.
- Allumez ensuite la machine et poussez la

poignée (12) vers l'avant. La pièce doit être solidement serrée lors de cette opération.

Couper des rainures avec un angle entre 0° et 90°

- Réglez la profondeur de coupe souhaitée et vérifiez-la (voir 5.2).
- Réglez l'angle de coupe souhaité à l'aide de la butée d'angle (11) (voir 5.3).
- Positionnez la machine près de la pièce à usiner.
- Il y a des marques (25) sur la machine ; ceux-ci doivent être alignés avec la ligne tracée sur la pièce.
- Allumez ensuite la machine et poussez la poignée (12) vers l'avant. La pièce doit être solidement serrée lors de cette opération.

PRUDENCE ! La butée réglable en hauteur (14) ne doit être utilisée qu'avec un angle de coupe de 0°.

6.4 Assemblage des pièces (Figs. 14-15)

- Une fois que vous avez coupé une rainure sur les deux pièces, elles peuvent être assemblées.
- Appliquez de la colle dans les deux rainures.
- Insérez une lamelle (26) dans l'une des rainures (Fig. 14).
- Glissez les deux pièces ensemble (Fig. 15).
- Serrez les pièces et attendez que la colle ait pris.

7. Nettoyage et entretien

Danger !

Avant tout travail de nettoyage, retirez la batterie de l'appareil.

7.1 Nettoyage

- Maintenez les dispositifs de protection, les fentes d'aération et les carters de moteur aussi exempt de poussières et de saletés que possible. Frottez l'appareil avec un linge propre et nettoyez-le à l'air comprimé à basse pression.
- Nous recommandons de nettoyer l'appareil directement après chaque utilisation.
- Nettoyez l'appareil régulièrement avec un linge humide et un peu de savon doux. N'utilisez pas de détergeant ni de solvants ; ils peuvent détériorer les éléments en plastique de l'appareil. Veillez à ce que l'eau ne puisse

pas pénétrer à l'intérieur de l'appareil. La pénétration de l'eau dans un appareil électrique augmente le risque d'une électrocution.

7.2 Entretien

L'intérieur de l'appareil ne contient pas de pièces exigeant un entretien.

8. Élimination et recyclage

L'appareil se trouve dans un emballage pour empêcher les dommages dus au transport. Cet emballage constitue une matière première et peut par conséquent est réutilisé ou peut être recyclé. L'appareil et ses accessoires sont fabriqués à partir de différents produits, comme par exemple le métal et les matières plastiques. Ne jetez pas les appareils défectueux dans les déchets ménagers. Pour être éliminé de façon appropriée, l'appareil devrait être déposé à un lieu de collecte approprié. Si vous ne connaissez aucun lieu de collecte, informez-vous auprès de l'administration municipale.

9. Entreposage

Entreposez l'appareil et ses accessoires dans un endroit sombre, sec et exempt de gel ainsi que hors la portée des enfants. La température d'entreposage optimale se situe entre 41 °F et 86 °F (5 °C et 30 °C). Entreposez l'outil électrique dans l'emballage d'origine.

Une réimpression ou toute autre reproduction de la documentation et des documents accompagnant les produits, même par extraits, ne sont autorisées qu'avec accord exprès d'Einhell Germany AG.

Sous réserve des modifications techniques.



Peligro! - Leer el manual de instrucciones para reducir cualquier riesgo de sufrir daños



Cuidado! Usar **protección para los oídos**. La exposición al ruido puede ser perjudicial para el oído.



Cuidado! Es preciso ponerse una **mascarilla de protección**. Puede generarse polvo dañino para la salud cuando se realicen trabajos en madera o en otros materiales. ¡Está prohibido trabajar con material que contenga asbesto!



Cuidado! Llevar **gafas de protección**. Durante el trabajo, la expulsión de chispas, astillas, virutas y polvo por el aparato pueden provocar pérdida de vista.



Almacenamiento de las baterías sólo en espacios secos con una temperatura ambiente de 50°F to 104°F (+10°C to +40°C). Guardar las baterías únicamente cuando estén cargadas (mín. al 40%).

Peligro!

Al usar aparatos es preciso tener en cuenta una serie de medidas de seguridad para evitar lesiones o daños. Por este motivo, es preciso leer atentamente este manual de instrucciones/advertencias de seguridad. Guardar esta información cuidadosamente para poder consultarla en cualquier momento. En caso de entregar el aparato a terceras personas, será preciso entregarles, asimismo, el manual de instrucciones/advertencias de seguridad. No nos hacemos responsables de accidentes o daños provocados por no tener en cuenta este manual y las instrucciones de seguridad.

1. Instrucciones de seguridad**Peligro!**

Lea todas las instrucciones de seguridad e indicaciones. El incumplimiento de dichas instrucciones e indicaciones puede provocar descargas, incendios y/o daños graves. **Guarde todas las instrucciones de seguridad e indicaciones para posibles consultas posteriores.**

Instrucciones generales de seguridad para herramientas eléctricas

El término de "herramienta eléctrica" que se usa en las instrucciones de seguridad se refiere a las herramientas que funcionan en red (con cable de conexión) y con batería (sin cable de conexión).

1. Seguridad en el lugar de trabajo

- a) **Mantener limpia y bien iluminada la zona de trabajo.** *Las zonas de trabajo desordenadas o sin luz pueden conllevar accidentes.*
- b) **No trabajar con este aparato eléctrico en un entorno explosivo en el que se hallen líquidos, gases o polvos inflamables.** *Las herramientas eléctricas generan chispas que pueden inflamar el polvo o los vapores.*
- c) **Mantener alejados a niños y a otras personas fuera del alcance de la herramienta eléctrica.** *Las distracciones pueden hacer perder el control sobre el aparato.*

2. Seguridad eléctrica

- a) **El enchufe del aparato eléctrico debe ser el adecuado para la toma de corriente. El enchufe no debe ser modificado de ningún modo. No emplear adaptadores de enchufe con aparatos eléctricos puestos a tierra.** *Los enchufes sin modificar y las*

tomas de corriente adecuadas reducen el riesgo de una descarga eléctrica.

- b) **Evitar el contacto corporal con superficies con toma de tierra como tubos, calefacciones, fogones y frigoríficos.** *Existe un gran riesgo de descarga eléctrica si su cuerpo se halla puesto a tierra.*
- c) **Mantener los aparatos eléctricos alejados de la lluvia o la humedad.** *Si entra agua en el aparato eléctrico existirá mayor riesgo de una descarga eléctrica.*
- d) **No utilizar el cable de forma inadecuada, no utilizarlo para transportar el aparato, colgarlo o retirarlo de la toma de corriente. Mantener el cable alejado del calor, aceites, cantos afilados o partes del aparato en movimiento.** *Los cables dañados o mal enrollados aumentan el riesgo de descarga eléctrica.*
- e) **Si se trabaja con una herramienta eléctrica al aire libre, emplear sólo alargaderas que también sean adecuadas para el exterior.** *El empleo de una alargadera apropiada para trabajos en el exterior reduce el riesgo de descarga eléctrica.*
- f) **Si no se puede evitar tener que utilizar la herramienta eléctrica en un entorno húmedo, utilizar un dispositivo de protección diferencial.** *El uso de un dispositivo de protección diferencial reduce el riesgo de sufrir una descarga eléctrica.*

3. Seguridad de personas

- a) **Prestar atención al trabajo, comprobar lo que se está haciendo y proceder de forma razonable durante el trabajo de una herramienta eléctrica. No emplear la herramienta eléctrica si se está cansado o bajo la influencia de drogas, alcohol o medicamentos.** *Una mínima falta de atención durante el uso de la herramienta eléctrica puede causar lesiones graves.*
- b) **Llevar equipo de protección personal. Llevar siempre gafas protectoras.** *El equipo de protección (como mascarilla antipolvo, calzado de seguridad antideslizante, casco o protección auditiva) usado en las condiciones adecuadas sirve para reducir las lesiones personales.*
- c) **Prevenir un arranque no intencionado. Asegurarse de que el interruptor se encuentre en la posición OFF antes de conectar la herramienta a la fuente eléctrica y/o BATERÍA, alzarla o transportarla.** *El transporte de herramientas eléctricas con el*

dedo en el interruptor o la activación de herramientas eléctricas con el interruptor en ON puede provocar accidentes.

- d) **Retirar las herramientas de ajuste o la llave antes de conectar la herramienta eléctrica.** *Una herramienta o llave que se haya olvidado en partes giratorias del aparato puede producir lesiones.*
 - e) **Evitar trabajar en una posición corporal inadecuada. Adoptar una posición segura y mantener en todo momento el equilibrio.** *Ello permite controlar mejor la herramienta eléctrica en situaciones inesperadas.*
 - f) **Llevar ropa de trabajo adecuada. No llevar ropa holgada ni joyas durante el trabajo. Mantener el cabello, la ropa y los guantes alejados de las piezas en movimiento.** *La ropa holgada, las joyas o los cabellos largos pueden ser atrapados por las piezas en movimiento.*
 - g) **Si el aparato permite instalar dispositivos de aspiración y recogida del polvo, es preciso asegurarse de que estén conectados y se empleen de forma correcta.** *La utilización de un aspirador de polvo puede reducir los peligros provocados por el mismo.*
 - h) **A pesar de estar muy familiarizado con el uso de las herramientas, no confiarse en exceso ni ignorar las normas de seguridad de la herramienta.** *Un descuido puede conllevar una lesión grave en milésimas de segundo.*
- 4. Empleo y tratamiento de la herramienta eléctrica**
- a) **No sobrecargar el aparato. Usar la herramienta eléctrica específica para cada trabajo.** *Con la herramienta eléctrica adecuada se trabaja mejor y con más seguridad permaneciendo dentro de la potencia indicada.*
 - b) **No usar ninguna herramienta eléctrica cuyo interruptor esté defectuoso.** *Una herramienta eléctrica que ya no pueda conectarse o desconectarse conlleva peligros y debe repararse.*
 - c) **Desconectar el enchufe de la toma de corriente y/o retirar la batería, si es desmontable, de la herramienta eléctrica antes de realizar cualquier ajuste, cambiar accesorios o almacenarla.** *Este tipo de medidas de seguridad preventivas sirve para reducir el riesgo de poner en marcha la herramienta eléctrica de manera involuntaria.*
 - d) **Guardar las herramientas eléctricas que no se usen fuera del alcance de los niños.**

No permitir el uso del aparato a personas que no estén familiarizadas con él o no hayan leído estas instrucciones. *Las herramientas eléctricas son peligrosas si las usan personas sin experiencia.*

- e) **Realizar el mantenimiento de las herramientas eléctricas y los accesorios. Comprobar que las piezas móviles no estén desajustadas ni atascadas, que las piezas no presenten rotura ni otras condiciones que puedan afectar al funcionamiento de la herramienta eléctrica.** *En caso de que la herramienta eléctrica esté dañada, es preciso que sea reparada antes de utilizarla de nuevo.* *Muchos accidentes se provocan a causa de un mantenimiento deficiente de la herramienta eléctrica.*
 - f) **Mantener limpias y afiladas las herramientas de corte.** *Las herramientas de corte bien cuidadas con cantos afilados se bloquean con menor frecuencia y pueden manejarse de forma más sencilla.*
 - g) **Respetar estas instrucciones cuando se desee utilizar la herramienta eléctrica, los accesorios, piezas de recambio, etc. Para ello, tener en cuenta las condiciones de trabajo y la tarea a ejecutar.** *El uso de herramientas eléctricas para otros fines diferentes a los previstos puede originar situaciones peligrosas.*
 - h) **Mantener asas y empuñaduras secas, limpias y libres de aceite y grasa.** *Las asas y empuñaduras resbaladizas impiden manejar con seguridad y controlar la herramienta en situaciones inesperadas.*
- 5. Empleo y tratamiento de la herramienta eléctrica**
- a) **Cargar la batería sólo en cargadores recomendados por el fabricante.** *Existe el peligro de incendio si se utiliza un cargador, indicado sólo para un tipo concreto de baterías, para otro tipo de baterías.*
 - b) **Utilizar sólo las baterías indicadas para la herramienta eléctrica en cuestión.** *El uso de otras baterías puede provocar daños y conllevar peligro de incendio.*
 - c) **Mantener cualquier batería que no se esté utilizando alejada de grapas, monedas, llaves, clavos, tornillos u otros objetos metálicos pequeños que podrían provocar un puenteo de los contactos.** *Un cortocircuito entre los contactos de la batería puede tener como consecuencia quemaduras o provocar fuego.*

- d) **Si se utiliza incorrectamente podría salir líquido de la batería. Evitar el contacto con el líquido. En caso de tocar accidentalmente el líquido, lavar la zona afectada con agua. Si el líquido penetra en los ojos, acudir a un médico. El líquido de la batería puede provocar irritaciones en la piel o quemaduras.**
- e) **No utilizar BATERÍAS ni herramientas que estén dañadas o modificadas. Las baterías dañadas o modificadas pueden manifestar comportamientos impredecibles que pueden dar lugar a incendio, EXPLOSIÓN o riesgo de lesión.**
- f) **No exponer una BATERÍA ni herramienta al fuego o a una temperatura excesiva. La exposición al fuego o a una temperatura superior a los 266°F (130°C) puede provocar una explosión.**
- g) **Seguir todas las instrucciones de carga y no cargar la BATERÍA ni herramienta fuera del margen de temperatura especificado en las instrucciones. Una carga inadecuada o a temperaturas fuera del margen especificado puede dañar la batería e incrementar el riesgo de incendio.**
- 6. Servicio**
- a) **Sólo especialistas cualificados deben reparar la herramienta eléctrica, empleando para ello únicamente piezas de repuesto originales. Esta forma de proceder garantiza la seguridad de la herramienta eléctrica.**
- b) **No reparar nunca BATERÍAS dañadas. La reparación de las BATERÍAS dañadas solo la puede llevar a cabo el fabricante o un distribuidor autorizado.**

Instrucciones de seguridad especiales

Con el fin de ofrecerte baterías con la máxima densidad de energía, larga duración y seguridad, prestamos el mayor cuidado en su montaje. Las celdas de la batería disponen de dispositivos de seguridad de varios niveles. En primer lugar se asigna el formato a cada celda y se registran sus características eléctricas. A continuación, estos datos se utilizan para agrupar las celdas y crear la mejores baterías. **A pesar de todas las medidas de seguridad, siempre es necesario tener precaución al utilizar baterías. Para un funcionamiento seguro es obligatorio tener en cuenta los siguientes puntos. ¡El funcionamiento seguro sólo está garantizado si las celdas no están dañadas! Un manejo inadecuado puede dañar las celdas.**

¡Atención! Los análisis confirman que un uso y un cuidado inadecuados son la principal causa de los daños provocados por baterías de alta potencia.

Advertencias sobre la batería

1. La batería del aparato no se suministra cargada. Antes de la primera puesta en marcha, es preciso recargarla por completo.
2. ¡Para que la batería trabaje de forma óptima evitar ciclos de descarga prolongados! Recargar la batería con frecuencia.
3. Guardar la batería en un lugar fresco, lo ideal son 59°F (15°C), y como mínimo cargada al 40%.
4. Las baterías de iones de litio están sujetas a un desgaste natural. ¡La batería debe ser sustituida como muy tarde cuando su rendimiento sea menor al 80% respecto a su estado cuando era nueva! Las celdas deterioradas de un conjunto de baterías envejecido no cumplen con los altos requisitos de rendimiento, representando un riesgo para la seguridad.
5. No tirar las baterías usadas al fuego. ¡Peligro de explosión!
6. No prender la batería ni exponerla al fuego.
7. **¡Evitar una descarga total de las baterías!** Este tipo de descarga daña las celdas de la batería. La causa más frecuente de la descarga total de la batería es el largo almacenamiento o la no utilización de baterías parcialmente descargadas. Terminar el trabajo en cuanto se aprecie que la potencia disminuye o se activa el sistema electrónico de protección. Almacenar la batería sólo tras haberla cargado completamente.
8. **¡Proteger las baterías y el aparato contra sobrecarga!** La sobrecarga conduce rápidamente a un sobrecalentamiento y daño de las celdas del interior de la carcasa de batería, sin que el sobrecalentamiento se perciba externamente.
9. **¡Evitar daños y golpes!** Sustituir inmediatamente las baterías que hayan caído desde una altura superior a un metro o que hayan sufrido golpes fuertes, incluso aunque la carcasa de la batería no parezca dañada. Las celdas que se encuentren en su interior podrían estar gravemente dañadas. Tener en cuenta también las indicaciones de eliminación.
10. En caso de sobrecarga y sobrecalentamiento, el circuito de protección integrado desconecta el aparato por motivos de seguridad.

¡Atención! Dejar de pulsar el interruptor On/Off cuando el circuito de protección haya desconectado el aparato. Podría dañar la batería.

11. Utilizar exclusivamente baterías originales. El uso de otras baterías puede provocar daños, así como explosión y peligro de incendio.
12. **Proteger la batería de la humedad, la lluvia y la humedad ambiental elevada.** La humedad, la lluvia y la humedad ambiental elevada pueden provocar daños peligrosos en las celdas. No cargar ni trabajar nunca con baterías que hayan estado expuestas a la humedad, la lluvia o humedad ambiental elevada, ¡reemplazarlas de inmediato!
13. Si el aparato está dotado de una batería extraíble, por motivos de seguridad será preciso extraerla una vez finalizado el trabajo.

Advertencias sobre el cargador y el proceso de carga

1. Observar los datos indicados en la placa de identificación del cargador. Conectar el cargador sólo a la tensión nominal indicada en la placa de características.
2. Proteger el cargador y el cable de daños y cantos afilados. Los cables dañados deben ser cambiados exclusivamente por un electricista profesional.
3. Mantener el cargador, las baterías y el aparato fuera del alcance de niños.
4. No emplear cargadores dañados.
5. No emplear el cargador suministrado para cargar otros aparatos a batería.
6. La batería se calienta bajo condiciones extremas de aplicación. Dejar que la batería se enfríe hasta alcanzar la temperatura ambiental antes de empezar a cargar.
7. **¡No cargar demasiado las baterías!** Respetar los tiempos de carga máximos. Estos tiempos de carga se aplican únicamente a baterías descargadas. Si una batería cargada o parcialmente cargada se conecta varias veces al cargador se produce una sobrecarga y un daño de las celdas. No deje las baterías en el cargador por más de 48 horas.
8. **No utilizar ni cargar nunca baterías si se tiene la sospecha de que la última carga de la batería puede haberse realizado hace más de 12 meses.** Existe una alta probabilidad de que la batería ya esté gravemente dañada (descarga total).
9. Cargar la batería a una temperatura de menos de 50°F (10°C) provoca daños químicos en las celdas y puede conllevar peligro de

incendio.

10. No utilizar baterías que se hayan calentado durante la carga, ya que sus celdas podrían dañarse peligrosamente.
11. Dejar de usar baterías que se hayan deformado o abombado durante la carga, o aquellas que presenten síntomas inusuales (desprendimiento de gases, zumbidos, chasquidos,...)
12. No descargar la batería por completo (nivel de descarga recomendado: máx. 80%). La descarga total provoca un envejecimiento prematuro de las celdas de la batería.
13. ¡No cargar nunca las baterías sin supervisión!

Protección contra influencias ambientales

1. Ponerse ropa de trabajo adecuada. Ponerse gafas de protección.
2. **Proteger el aparato y el cargador de la humedad y la lluvia.** Éstas podrían provocar daños peligrosos en las celdas.
3. No utilizar el aparato y el cargador cerca de vapores y líquidos inflamables.
4. Utilizar el cargador y el aparato a batería sólo si están secos y a una temperatura ambiente de 50°F-104°F (10-40 °C).
5. No guardar la batería en lugares que puedan alcanzar una temperatura superior a 104°F (40 °C), especialmente no en un vehículo aparcado al sol.
6. **¡Proteger las baterías contra un sobrecalentamiento!** La sobrecarga, carga excesiva o la radiación solar conducen a un sobrecalentamiento y al daño de las celdas. No cargar ni trabajar en ningún caso con baterías que se hayan sobrecalentado. Sustituirlas inmediatamente.
7. **Almacenamiento de baterías, cargadores y del aparato.** Guardar siempre el cargador y el aparato en habitaciones secas con una temperatura ambiente de 50°F-104°F (10-40°C). Guardar la batería de iones de litio en un lugar fresco y seco a 50°F-68°F (10-20°C). ¡Proteger de la humedad ambiental y de la radiación solar! Guardar las baterías únicamente cuando estén cargadas (mín. al 40%).
8. Evitar que la batería de iones de litio se hiele. Deshacerse de las baterías que hayan estado guardadas a 32°F (0°C) durante más de 60 minutos.
9. Llevar cuidado con la carga electrostática al manipular baterías: las descargas electrostáticas provocan daños en el sistema electrónico de protección y las celdas de la batería. ¡Evitar por ello la carga electrostática y no tocar nunca los polos de la batería!

Precaución y eliminación de la batería

Eliminación

Si su artefacto necesita ser reemplazado luego de un uso prolongado, no lo arroje a la basura doméstica. Hágalo de una forma ecológica y segura.



Los desechos producidos por máquinas eléctricas no deben ser manipulados como basura doméstica común. Recíclelos donde hayan emplazamientos de reciclaje.

Consulte con las autoridades o tienda minorista de su localidad para obtener información sobre reciclaje.

Deshágase de su batería de acuerdo con los reglamentos federales, estatales y locales. Para encontrar lugares de reciclaje, comuníquese con un servicio de reciclaje en su localidad.

⚠ ¡PRECAUCIÓN! Incluso las baterías descargadas contienen algo de energía. Antes de deshacerse de éstas, use cinta aislante para cubrir los terminales y evitar que la batería haga cortocircuito, lo cual puede causar una explosión o incendio.

⚠ ¡ADVERTENCIA! Para reducir el riesgo de lesiones personales o explosión, nunca queme o incinere una batería incluso si está dañada, inservible o completamente descargada. Al ser quemada, los humos y materiales tóxicos son emitidos a la atmósfera circundante.

1. Las baterías varían de acuerdo al dispositivo. Consulte su manual para obtener la información específica.
2. Instale solo nuevas baterías del mismo tipo en su producto (donde corresponda).
3. No insertar las baterías con la polaridad correcta, tal como se indica en el compartimiento de la batería o en el manual, puede reducir el ciclo de vida útil de las baterías o causar fugas en las baterías.
4. No combine baterías nuevas con antiguas.
5. No combine baterías alcalinas, estándar (de zinc-carbono) o recargables (de níquel-cadmio, de níquel-hidruro metálico o de iones de litio).
6. No arroje las baterías al fuego. Pueden llegar a explotar.
7. Las baterías deben ser recicladas o desechadas según los reglamentos locales y estatales.

Para el envío o la eliminación de baterías o del aparato, estos deben embalarse por separado en bolsas de plástico para evitar cortocircuitos o incendios.

Instrucciones especiales de seguridad

- No eliminar el polvo producido por la sierra ni las virutas mientras se esté utilizando la máquina.
- No utilizar la máquina con muelas de tronzar u hojas de sierra circular.
- Evitar que la fresa de disco sufra golpes o choques.
- Emplear sólo fresas de disco afiladas que no estén dañadas, ya que de lo contrario podría astillarse la pieza.
- Antes de empezar a trabajar asegurarse de que la fresa no presente daños. No emplear discos doblados, agrietados o dañados de algún otro modo.
- Asegurarse de que la pieza se haya colocado y sujetado de forma correcta. Mantener las manos alejadas de la superficie que esté trabajando.
- Sostener la engalletadora sólo por la empuñadura.
- Asegurarse de que se disponga de suficientes vueltas de rosca al colocar la fresa de disco en el husillo de accionamiento.
- Asegurarse de que la fresa de disco esté bien colocada. No emplear arandelas u otros medios de ayuda para facilitar el asiento de la fresa de disco cuando vaya a colocarla.
- Acercar la fresa sobre la pieza que se desea trabajar sólo cuando el aparato esté en marcha.
- Sostener y manipular el aparato durante el trabajo con las dos manos, asegurándose de que mantiene una postura adecuada.
- Se prohíbe manejar la máquina a personas menores de 16 años.
- Ponerse gafas protectoras y protección para los oídos mientras se esté trabajando. En caso necesario, ponerse un delantal y un casco protector.
- Desenchufar el cable si se va a realizar cualquier trabajo en el aparato. Enchufar el cable sólo si está desconectada la máquina.
- Mantener alejado el cable de conexión de la superficie de trabajo; desplazarlo siempre hacia atrás.
- No intentar detener la fresa con la mano tras desconectar la máquina.
- La máquina no deberá ponerse en marcha si la fresa está al descubierto.

- Las herramientas intercambiables deben estar diseñadas como mínimo para la velocidad indicada en la herramienta eléctrica. Las fresas de disco u otras herramientas intercambiables funcionando a una velocidad excesiva pueden salir disparadas y causar daños.

Instrucciones de seguridad para engalletadora

- Las fresas de disco deben estar diseñadas como mínimo para la velocidad indicada en la herramienta eléctrica.** Las fresas de disco que funcionen a una velocidad excesiva pueden estallar y provocar daños.
- Utilizar siempre la cubierta de protección.** Una cubierta de protección protege al usuario de las piezas rotas de la fresa de disco y sirve también para evitar el contacto involuntario con la fresa.
- Sujetar la herramienta eléctrica únicamente por las empuñaduras aisladas puesto que la fresa podría entrar en contacto con el propio cable de conexión.** El contacto con un cable de corriente puede electrificar las piezas metálicas del aparato y provocar una descarga eléctrica.

GUARDE ESTAS INSTRUCCIONES

2. Descripción del aparato y volumen de entrega

2.1 Descripción del aparato (fig. 1)

- Interruptor ON/OFF
- Palanca de bloqueo para ajuste angular
1. Marca
- Tope para ajuste de la profundidad de fresado
- Tornillo de ajuste profundidad de fresado
- Empuñadura adicional
- Adaptador para bolsa para recogida de polvo
- Bolsa para recogida de polvo
- Llave de espigas
- Bloqueo del husillo
- Tapa
- Tope angular
- Empuñadura
- Sujeción previa
- Tope regulable en altura
- Palanca de bloqueo para tope regulable en altura
- Rueda de ajuste para tope regulable en altura

- Llave de hexágono interior
- Tornillo de hexágono interior
- Alojamiento de batería
- Fresa
- Brida
- Escala para regular la altura
1. Flecha
- Placa base
- Puntas de goma
- Marcas
- Taco plano (no se suministra)
- Batería (no se suministra)
- Dispositivo de retención
- Indicador de capacidad de batería
- Pulsador para indicar la capacidad de batería

2.2 Volumen de entrega

Sirviéndose de la descripción del volumen de entrega, comprobar que el artículo esté completo. Si faltase alguna pieza, dirigirse a nuestro Service Center o a la tienda especializada más cercana en un plazo máximo de 5 días laborales tras la compra del artículo presentando un recibo de compra válido.

- Abrir el embalaje y extraer cuidadosamente el aparato.
- Retirar el material de embalaje, así como los dispositivos de seguridad del embalaje y para el transporte (si existen).
- Comprobar que el volumen de entrega esté completo.
- Comprobar que el aparato y los accesorios no presenten daños ocasionados durante el transporte.
- Si es posible, almacenar el embalaje hasta que transcurra el periodo de garantía.

Peligro!

¡El aparato y el material de embalaje no son un juguete! ¡No permitir que los niños jueguen con bolsas de plástico, láminas y piezas pequeñas! ¡Riesgo de ingestión y asfixia!

- Engalletadora inalámbrica
- Fresa
- Bolsa para recogida de polvo
- Llave de espigas
- Llave de hexágono interior
- Tope regulable en altura
- Sujeción previa
- Puntas de goma
- Manual de instrucción original con instrucción de seguridad

Accesorios disponibles por separado

18V 1.5Ah PXC batería Li-Ion
 18V 2.0Ah PXC batería Li-Ion
 18V 2.5Ah PXC batería Li-Ion
 18V 3.0Ah PXC batería Li-Ion
 18V 4.0Ah PXC batería Li-Ion
 18V 3.0Ah PXC Plus batería Li-Ion
 18V 4.0Ah PXC Plus batería Li-Ion
 18V 5.2Ah PXC Plus batería Li-Ion
 18V 4.0Ah/6.0Ah PXC Plus batería Li-Ion
 18V 5.0Ah/8.0Ah PXC Plus batería Li-Ion
 18V PXC cargador rápido de doble Puerto
 18V PXC cargador rápido

Comuníquese con su distribuidor local para obtener modelos más específicos de baterías y cargadores disponibles en su área. Explorar las opciones de batería y cargador en einhell.com.


3. Uso adecuado

La engalletadora inalámbrica se ha diseñado para fresar ranuras en madera maciza, madera contrachapada y conglomerado.

Utilizar la máquina sólo en los casos que se indican explícitamente como de uso adecuado. Cualquier otro uso no será adecuado. En caso de uso inadecuado, el fabricante no se hace responsable de daños o lesiones de cualquier tipo; el responsable es el usuario u operario de la máquina.

Tener en consideración que nuestro aparato no está indicado para un uso comercial, industrial o en taller. No asumiremos ningún tipo de garantía cuando se utilice el aparato en zonas industriales, comerciales o talleres, así como actividades similares.

4. Características técnicas

Alimentación de tensión de motor: 18V 
 Velocidad nominal:6,500 RPM (min⁻¹)
 Dimensiones de la fresa
ø 4" x ø 7/8" x 5/32" (ø 100 x ø 22 x 4 mm)
 Profundidad de corte3/4" (20 mm)
 Ajustes angulares0-90°
 Peso (solo herramienta):5.9 lb (2.7 kg)

Usar protección para los oídos.

La exposición al ruido puede ser perjudicial para el oído.

¡Reducir la emisión de ruido y las vibraciones al mínimo!

- Emplear sólo aparatos en perfecto estado.
- Realizar el mantenimiento del aparato y limpiarlo con regularidad.
- Adaptar el modo de trabajo al aparato.
- No sobrecargar el aparato.
- En caso necesario dejar que se compruebe el aparato.
- Apagar el aparato cuando no se esté utilizando.

Cuidado!**Riesgos residuales**

Incluso si esta herramienta se utiliza adecuadamente, siempre existen riesgos residuales.

En función de la estructura y del diseño de esta herramienta eléctrica pueden producirse los siguientes riesgos:

1. Lesiones pulmonares en caso de que no se utilice una mascarilla de protección antipolvo.
2. Lesiones auditivas en caso de que no se utilice una protección para los oídos adecuada.
3. Daños a la salud derivados de las vibraciones de las manos y los brazos si el aparato se utiliza durante un largo periodo tiempo, no se sujeta del modo correcto o si no se realiza un mantenimiento adecuado.

Limitar el tiempo de trabajo.

Al hacerlo deben tenerse en cuenta todas las partes del ciclo de servicio (por ejemplo los tiempos en los que la herramienta eléctrica está desconectada y los tiempos en los que está conectada pero funciona sin carga).

5. Antes de la puesta en marcha**¡Aviso!**

Quitar siempre la batería antes de realizar ajustes en el aparato.

5.1 Montaje de la bolsa para la recogida de polvo

- La bolsa para la recogida de polvo (7) se monta fijándola al adaptador de recogida de polvo (6).
- El usuario puede girarla a cualquier posición para poder trabajar cómodamente.

- Si la bolsa para la recogida de polvo (7) está llena o se ha terminado el trabajo, se puede extraer y vaciar a través de la cremallera.
- También se puede conectar un sistema de aspiración de polvo (aspirador) al adaptador de recogida de polvo (6) (fig. 2).

5.2 Ajuste de la profundidad de fresado (fig. 3)

- Se puede ajustar un total de 6 profundidades de fresado diferentes.
- Ajustar la profundidad de fresado deseada con el tope (3).
- Las designaciones en el tope (3) indican los diferentes tamaños de tacos planos.
- La profundidad de fresado puede reajustarse con el tornillo de ajuste (4).

Tamaño en tope	0	10	20	S	D	MAX*
Tamaño de tacos planos	0	10	20	-	-	-
Profundidad de ranura	0.32" (8 mm)	0.39" (10 mm)	0.48" (12.3 mm)	0.51" (13 mm)	0.58" (14.7 mm)	0.79" (20 mm)

*Sin puntas de goma

¡Aviso!

Antes de empezar a utilizar el aparato, es preciso comprobar que el sistema de retorno de la cubierta protectora funcione correctamente.

5.3 Ajuste del ángulo de fresado (fig. 4 + 5/pos. 11)

En el caso de las ranuras en bisel, por ejemplo, para las uniones a inglete, el ángulo del tope (11) puede ajustarse en consecuencia.

- Soltar la palanca de bloqueo para el ajuste angular (2).
- ¡Atención! El ángulo se muestra mediante la marca (2.1).
- El tope angular (11) puede ajustarse en continuo al ángulo deseado entre 0° y 90°.
- Volver a apretar la palanca de bloqueo para el ajuste angular (2).

¡Advertencia!

Con un ajuste de 90° del tope angular (11), la altura sin sujeción previa (13) o ajuste de altura

(14) entre el centro de la fresa y el tope angular (11) es siempre de 0.39" (10 mm). (Véase la figura 6)

5.4 Sujeción previa (fig. 5 – 6/pos. 13)

Las piezas finas también se pueden fresar con la sujeción previa (13). Con un ajuste de 90° del tope angular (11), la altura entre el centro de la fresa y el tope angular (11) es siempre de 0.24" (6 mm). Véase la figura 6

Para ello, colocar la sujeción previa (13) en el tope angular (11), como se muestra en la fig. 5.

¡Advertencia! La sujeción previa (13) también se puede utilizar con las uniones a inglete para garantizar que la ranura no sea demasiado profunda.

5.5 Ajuste de altura (fig. 7/pos. 14)

Con el tope regulable en altura (14), también se pueden mecanizar piezas más gruesas. La altura entre el centro de la fresa y el tope regulable en altura (14) puede ajustarse entre 0" y 1.57" (0 mm y 40 mm).

- Soltar la palanca de bloqueo del tope regulable en altura (15).
- A continuación, colocar el tope regulable en altura (14) tal y como se muestra en la fig. 7.
- Ajustar la altura deseada en la escala para regular la altura (22) con el tornillo de ajuste (16). La flecha (22.1) muestra la altura ajustada.

¡Advertencia! la altura de la ranura debería estar siempre en el centro de la pieza.

- Volver a apretar la palanca de bloqueo del tope regulable en altura (15).

¡Atención! El tope regulable en altura (14) solo puede utilizarse con un ángulo de corte de 0°.

5.6 Cambio de fresa (fig. 8-9)

¡Peligro! Sacar antes la batería.

Retirar la tapa (10) aflojando ligeramente el tornillo de hexágono interior y quitar la tapa (10).

- Colocar la llave de espigas (8) en la brida (21).
- Presionar el bloqueo de husillo (9); mantenerlo pulsado y girar la llave de espigas en el sentido de giro. Al girar aprox. media vuelta, el bloqueo de husillo se encaja (9), lo que permite soltar la brida (21).
- Soltar ahora la fresa (20) de la carcasa.
- Seguidamente, extraer la fresa (20) de la placa base (23).
- Colocar la nueva fresa (20) siguiendo el mismo procedimiento pero en orden contrario.

Para ello tener en cuenta el sentido de giro de la fresa.

- Volver a fijar la tapa (10).

¡Peligro! No accionar nunca el bloqueo del husillo (9) con el motor en marcha. Antes de empezar los trabajos, asegurarse de que la fresa esté bien sujeta.

¡Advertencia! No utilizar fresas de disco romas o dañadas.

5.7 Cómo cargar la batería de litio (no incluido en el volumen de entrega)

Las instrucciones correspondientes se encuentran en el manual de instrucciones original del cargador.

5.8 Indicador de capacidad de batería (fig. 11/pos. 29)

Pulsar el interruptor para acceder al indicador de capacidad de la batería (30). El indicador de capacidad de batería (29) le indica el estado de carga de la batería sirviéndose de 3 LEDs.

Los 3 LED están iluminados:

La batería está completamente cargada.

2 o 1 LED están iluminados

La batería dispone de suficiente carga residual.

1 LED parpadea:

La batería está vacía, es preciso cargarla.

Si todos los LED parpadean:

La temperatura de la batería es demasiado baja. Quitar la batería del aparato y dejarla durante un día a temperatura ambiente. Si vuelve a aparecer el fallo, la batería se ha descargado completamente y está defectuosa. Quitar la batería del aparato. Está prohibido emplear o cargar una batería defectuosa.

6. Manejo

6.1 Interruptor ON/OFF (fig. 3/pos. 1)

Para encender el aparato, desplazar hacia delante el interruptor ON/OFF (1) y presionarlo hacia abajo. Para apagar la engalletadora, empujar hacia abajo la parte posterior del interruptor ON/OFF (1). El interruptor ON/OFF (1) vuelve a su posición inicial.

6.2 Trazado de una pieza (fig. 12)

Antes de empezar a trabajar con la engalletadora, es preciso marcar la pieza del modo siguiente:

- Juntar ambas piezas; las piezas deben fijarse:
- Trazar con un lápiz en el ángulo derecho una línea que se extienda hasta el punto de unión.
- En caso que las piezas sean más largas, se precisarán varios puntos de unión.
- La distancia entre dos líneas debería ser de mín. 4" (10 cm).

¡Advertencia!

Para las piezas más gruesas, se puede proporcionar estabilidad adicional colocando dos ranuras superpuestas; para las piezas finas, un punto de unión es suficiente.

6.3 Colocación de la engalletadora y fresado de ranuras (fig. 13)

Fresado de ranuras con un ángulo de 0° a una altura determinada

- Ajustar el tope angular (11) a 0° y, a continuación, introducir el tope regulable en altura (14).
- Ajustar la altura deseada mediante el tope de altura (14) (véase 5.5).
- Acercar la máquina a la pieza.
- La máquina presenta marcas (25) que deben coincidir con la línea de trazado.
- Conectar la máquina y desplazar la empuñadura (12) hacia delante. Para ello la pieza debe estar bien sujeta.

Fresado de ranuras con un ángulo entre 0° y 90

- Ajustar la profundidad de fresado deseada y compruébela (véase 5.2).
- Ajustar el ángulo de fresado deseado con el tope angular (11) (véase 5.3)
- Acercar la máquina a la pieza.
- La máquina presenta marcas (25) que deben coincidir con la línea de trazado.
- Conectar la máquina y desplazar la empuñadura (12) hacia delante. Para ello la pieza debe estar bien sujeta.

¡ATENCIÓN! El tope regulable en altura (14) solo puede utilizarse con un ángulo de fresado de 0.

6.4 Cómo unir las piezas (fig. 14-15)

- Después de haber fresado una ranura en ambas piezas será posible unir las.
- Aplicar adhesivo en ambas ranuras.
- Insertar el taco plano (26) en una ranura (fig. 14).
- Unir ambas piezas (fig. 15).
- Sujetar bien las piezas entre sí y dejarlas sujetas hasta que se haya secado el adhesivo.

7. Mantenimiento y limpieza

Peligro!

Desenchufar la batería antes de realizar trabajos de limpieza.

7.1 Limpieza

- Reducir al máximo posible la suciedad y el polvo en los dispositivos de seguridad, las rendijas de ventilación y la carcasa del motor. Frotar el aparato con un paño limpio o soplarlo con aire comprimido manteniendo la presión baja.
- Se recomienda limpiar el aparato tras cada uso.
- Limpiar el aparato con regularidad con un paño húmedo y un poco de jabón blando. No utilizar productos de limpieza o disolventes ya que se podrían deteriorar las piezas de plástico del aparato. Es preciso tener en cuenta que no entre agua en el interior del aparato. Si entra agua en el aparato eléctrico existirá mayor riesgo de una descarga eléctrica.

7.2 Mantenimiento

No hay que realizar el mantenimiento a más piezas en el interior del aparato.

8. Eliminación y reciclaje

El aparato está protegido por un embalaje para evitar daños producidos por el transporte. Este embalaje es materia prima y, por eso, se puede volver a utilizar o llevar a un punto de reciclaje. El aparato y sus accesorios están compuestos de diversos materiales, como, p. ej., metal y plástico. Los aparatos defectuosos no deben tirarse a la basura doméstica. Para su eliminación adecuada, el aparato debe entregarse a una entidad recolectora prevista para ello. En caso de no conocer ninguna, será preciso informarse en el organismo responsable del municipio.

9. Almacenamiento

Guardar el aparato y sus accesorios en un lugar oscuro, seco, protegido de las heladas e inaccesible para los niños. La temperatura de almacenamiento óptima se encuentra entre los 41°F y 86°F (5 y 30 °C). Guardar la herramienta eléctrica en su embalaje original.

Sólo está permitido copiar la documentación y documentos anexos del producto, o extractos de los mismos, con autorización expresa de Einhell Germany AG.

Nos reservamos el derecho a realizar modificaciones técnicas



A series of horizontal lines for writing, starting from the pencil tip and extending across the page.



www.Einhell.com

EH 07/2023 (01)