

Router E-OF 1200

Art.-No.: **44.720.91**

Bar code: **4006825528435**

Sales unit: **4 pcs**

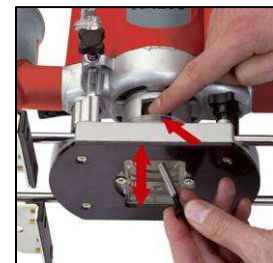
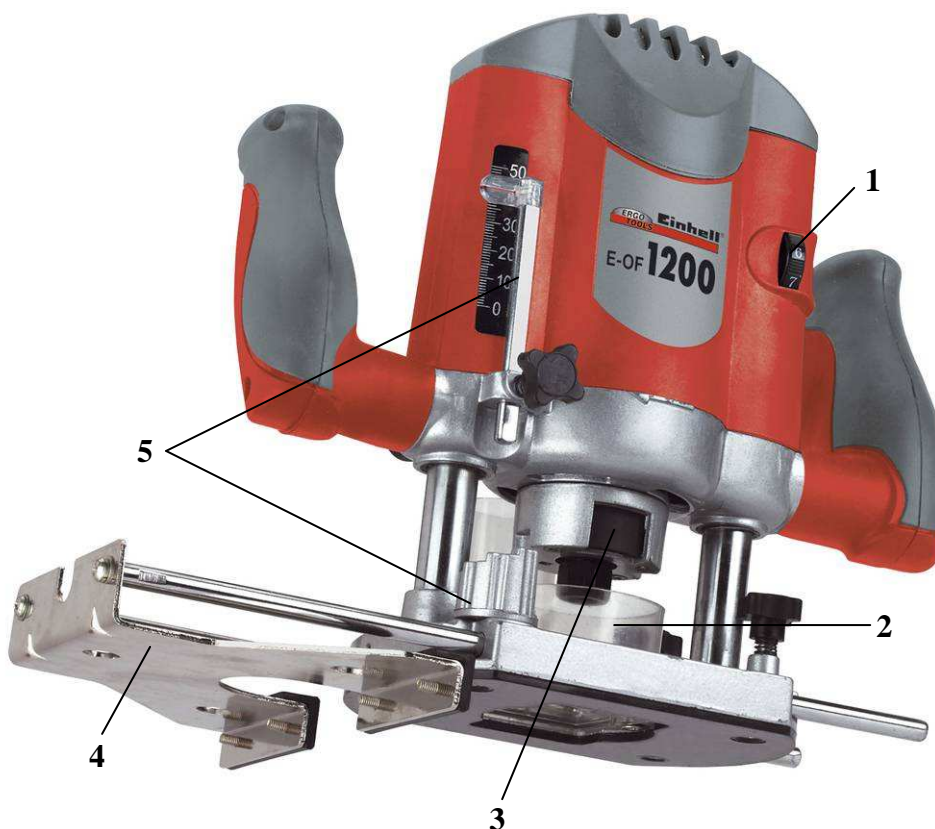
This well-designed, handy electronic router incorporates an impact resistant plastic housing. The E-OF 1200 router is powerful enough to use on wood, lightweight materials and plastics, for cutting slots, edges, profiles and elongated holes. The cutters can be simply changed by the integrated spindle lock. With the additional speed regulation the cutter frequency (speed) can be adjusted to the working material.

Features:

- Electronic speed control (1)
- Integrated dust extraction by adapter (2)
- Parallel guide (3)
- Spindle lock for easy cutter changing (4)
- Adjustable cutting depth with gun gauge (5)
- Clamping device \varnothing 8 mm and \varnothing 6 mm
- **Housing surface "softpainted"**

Technical data:

- | | |
|--------------------------|---|
| - Mains: | 230 V~ 50 Hz |
| - Power: | 1200 watts |
| - Idle speed: | 16,000 – 32,000 min ⁻¹ |
| - Stroke height: | 40 mm |
| - Clamping device: | \varnothing 8 mm and \varnothing 6 mm |
| - for form millers max.: | \varnothing 36.5 mm |
| - Weight: | 4.5 kg |
| - Packing dimensions: | 280 x 160 x 250 mm |



As special accessory available:

Router bit set
12 pcs

Art.-No.: **43.501.99**
Bar code: **4006825431391**

Abbildungen können nicht im Serien-Lieferumfang enthaltenes Zubehör darstellen // Illustrations can contain accessories, which are not included in standard extent of delivery.

Abbildungen ähnlich, produktionsbedingte Abweichung vorbehalten // Illustration similar (in design), production-wise modifications reserved

File: S:\shared-pool\Product-Dokumentation\T-Produktbeschreibung\30_n0t\Originale_Englisch_PA04\4472091_01026.doc

Erstelldatum / create date: 16.01.2007 09:44:00

Aktualisiert / up dated: 16.01.2007