

challenge xtreme

Original Operating Instruction Heat Gun

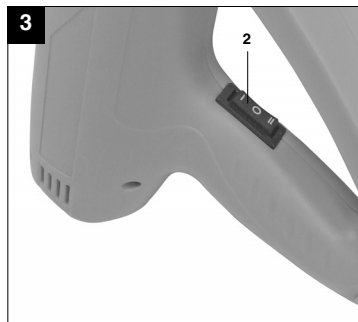
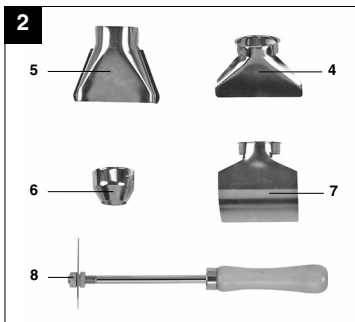
**WARNING! PLEASE READ THESE INSTRUCTIONS
BEFORE OPERATING THIS UNIT**

KEEP THIS MANUAL FOR FUTURE REFERENCE

CE

Art.-Nr.: 45.201.72

I.-Nr.: 11010





"Caution - Read the operating instructions to reduce the risk of injury"



The nozzle outlet must be kept a minimum distance of 7 cm from the workpiece you are working on or the accumulating air may cause damage to the equipment.

GB**⚠ Important!**

When using equipment, a few safety precautions must be observed to avoid injuries and damage. Please read the complete operating manual with due care. Keep this manual in a safe place, so that the information is available at all times. If you give the equipment to any other person, give them these operating instructions as well.
We accept no liability for damage or accidents which arise due to non-observance of these instructions and the safety information.

1. Safety regulations

The corresponding safety information can be found in the enclosed booklet.

⚠ CAUTION!

Read all safety regulations and instructions. Any errors made in following the safety regulations and instructions may result in an electric shock, fire and/or serious injury. Keep all safety regulations and instructions in a safe place for future use.

Additional safety instructions:

- Ensure that the ON/OFF switch is set to "0" (OFF) before you insert the plug into the socket.
- **The nozzle reaches temperatures of up to 600°C. Fire hazard! Wear protective gloves and eye wear. The nozzle should not be touched during operation.**
- Allow the hot air pistol to completely cool before putting away.
- Never expose the unit to rain or moisture. Store the unit in a dry place.
- Do not leave the unit unattended. Keep out of reach of children.
- **Never direct the air flow at people or animals. Do not use the unit to dry clothing or hair. Do not use the hot air blower as a hair dryer.**
- Do not use the unit near easily flammable or explosive substances or gasses.
- Never block the hot air flow by plugging or covering the air flow exit.
- Use only original accessory and replacement parts from the manufacturer.
- Do not wear loose clothing or jewelry. Wear slip-resistant shoes and wear a hair net for long hair. During operation maintain a secure footing.
- Never use the unit in wet surroundings or in areas with high humidity (bathroom, sauna, etc.).
- Check your work area for easily flammable substances and materials before using the hot

air pistol.

- Never carry the hot air pistol by the power supply cord.
- Only use extension cords with a minimum cross-section area of 1,5 mm².
- Repairs (for example power supply cord replacement) should be performed only by a qualified electrician.
- Do not use chemical paint removers or solvents at the same time as the hot air pistol.
- Clean the nozzle when soiled.
- Be sure that the openings for air entry and exit are always clean and free of dirt.
- Hazardous or poisonous gasses can be freed when removing paint. Be sure to provide adequate ventilation while working indoors.
- Never point the hot air directly at windows or other glass surfaces.
- This equipment is not designed to be used by people (including children) with limited physical, sensory or mental capacities or those with no experience and/or knowledge unless they are supervised by a person who is responsible for their safety or they have received instructions from such a person in how to use the equipment safely. Children must always be supervised in order to ensure that they do not play with the equipment.

2. Layout and items supplied (Fig. 1/2)

1. Nozzle
2. 3-setting ON/OFF switch
3. suspension shackle
4. Heat nozzle
5. Wide nozzle
6. Reducer nozzle
7. Reflector nozzle
8. Paint scraper


3. Proper use

The hot air blower is designed for heating shrink-fit hoses, for removing paint and for welding and shaping plastics.

The equipment is to be used only for its prescribed purpose. Any other use is deemed to be a case of misuse. The user / operator and not the manufacturer will be liable for any damage or injuries of any kind caused as a result of this.

Please note that our equipment has not been designed for use in commercial, trade or industrial applications. Our warranty will be voided if the machine is used in commercial, trade or industrial businesses or for equivalent purposes.

4. Technical data

Mains voltage:	230 V- 50 Hz
Power input:	2000 W
Temperature:	350°C / Setting 1 550°C / Setting 2
Air volume:	300 l / Setting 1 500 l / Setting 2
Protection class:	II / 
Weight:	0.7 kg

5. Before starting the equipment

Before you connect the equipment to the mains supply make sure that the data on the rating plate are identical to the mains data.

6. Starting up

6.1 3-setting ON/OFF switch (Figure 3)
Select the required working temperature and air volume with the ON/OFF switch (2).

Within a very short space of time the hot air gun will reach operating temperature.

Switch position 1:

1. Setting – 350°C / 300 liters/min.

Center position:

Equipment is switched off.

Switch position 2:

2. Setting – 550°C / 500 liters/min.

6.2 Possible uses for the hot air pistol:

- Removal of paint and lacquer. **Attention! Hazardous or poisonous gasses may be produced while removing paint or lacquer. Be sure to provide adequate ventilation.**
- Removal of stickers and decorations.
- Loosening of rusted or tightly fastened nuts and metal screws.

- Thawing of frozen pipes, door locks, etc.
- **Attention: do not attempt to thaw plastic or synthetic pipes.**
- Accentuation of natural wood grains before staining or lacquing.
- Shrinkage of PVC packaging foils and insulation tubes.
- Waxing and de-waxing of skis.

Caution: Intensive heating means a higher risk of fire and explosion! Ensure good ventilation. Harmful and/or toxic gases and vapors may be emitted.

6.3 Selecting the right nozzle

- The heat nozzle (4) is designed to protect e.g. glass panes from overheating by diverting the hot air. For removing paint.
- The wide nozzle (5) provides uniform air distribution on small surfaces
- The reducer nozzle (6) provides a targeted jet of heat for corners and for soldering work.
- The reflector nozzle (7) is designed for soldering and shaping tubes, for defrosting water pipes and for shrinking insulating hoses.

7. Replacing the power cable

If the power cable for this equipment is damaged, it must be replaced by a qualified electrician to avoid danger.

8. Cleaning, maintenance and ordering of spare parts

Always pull out the mains power plug, and allow the hot air blower to cool, before starting any cleaning work

8.1 Cleaning

- Keep all safety devices, air vents and the motor housing free of dirt and dust as far as possible. Wipe the equipment with a clean cloth or blow it with compressed air at low pressure.
- We recommend that you clean the device immediately each time you have finished using it.
- Clean the equipment regularly with a moist cloth and some soft soap. Do not use cleaning agents or solvents; these could attack the plastic parts of the equipment. Ensure that no water can seep into the device.



8.2 Maintenance

There are no parts inside the equipment which require additional maintenance.

8.3 Ordering replacement parts:

Please quote the following data when ordering replacement parts:

- Type of machine
- Article number of the machine
- Identification number of the machine
- Replacement part number of the part required

For our latest prices and information please call 0151 649 1500 or visit www.einhell-uk.co.uk.

9. Disposal and recycling

The unit is supplied in packaging to prevent its being damaged in transit. This packaging is raw material and can therefore be reused or can be returned to the raw material system.

The unit and its accessories are made of various types of material, such as metal and plastic. Defective components must be disposed of as special waste. Ask your dealer or your local council.

ISC GmbH · Eschenstraße 6 · D-94405 Landau/Isar



Konformitätserklärung

- Ⓒ erklårt folgende Konformität gemäß EU-Richtlinie und Normen für Artikel
- Ⓒ explains the following conformity according to EU directives and norms for the following product
- Ⓒ déclare la conformité suivante selon la directive CE et les normes concernant l'article
- Ⓒ dichiara la seguente conformità secondo la direttiva UE e le norme per l'articolo
- Ⓒ verklaart de volgende overeenstemming conform EU richtlijn en normen voor het product
- Ⓒ declara la siguiente conformidad a tenor de la directiva y normas de la UE para el artículo
- Ⓒ declara a seguinte conformidade, de acordo com a directiva CE e normas para o artigo
- Ⓒ attesterer følgende overensstemmelse i medfør af EU-direktiv samt standarder for artikel
- Ⓒ förklarar följande överensstämmelse enl. EU-direktiv och standarder för artikeln
- Ⓒ vakuuttaa, että tuote täyttää EU-direktiivin ja standardien vaatimukset
- Ⓒ löendab toote vastavust EL direktiivile ja standarditele
- Ⓒ vydává následující prohlášení o shodě podle směrnice EU a norem pro výrobek
- Ⓒ potvrdjuje sledečo skladnost s smernico EU in standardi za izdelek
- Ⓒ vydáva nasledujúce prehlásenie o zhode podľa smernice EU a norem pre výrobok
- Ⓒ a cikkekhöz az EU-irányvonal és Normák szerint a következő konformitást jelenti ki
- Ⓒ deklaruje zgodność wymienionego ponizej artykułu z następującymi normami na podstawie dyrektywy WE.
- Ⓒ декларира съответното съответствие съгласно Директива на ЕС и норми за артикул
- Ⓒ raskaidro šādu atbilstību ES direktīvai un standartiem
- Ⓒ aribūdina šī atbilstīgu EU reikalavimams ir prekės normoms
- Ⓒ declară următoarea conformitate conform directivei UE și normelor pentru articolul
- Ⓒ δηλώνει την ακόλουθη συμμόρφωση σύμφωνα με την Οδηγία ΕΚ και τα πρότυπα για το προϊόν
- Ⓒ potvrđuje sljedeću usklađenost prema smjernicama EU i normama za artikl
- Ⓒ potvrđuje sledeću usklađenost prema smernicama EZ i normama za artikal
- Ⓒ следующим удостоверяется, что следующие продукты соответствуют директивам и нормам ЕС
- Ⓒ проголошує про зазначену нижче відповідність виробу директивам та стандартам ЄС на виріб
- Ⓒ ja izjavуva следната сообразност согласно EU-директивата и нормите за артикли
- Ⓒ Úrünü ile ilgili AB direktifleri ve normları gereğince aşağıda açıklanan uygunluğu belirtir
- Ⓒ erklærer følgende samsvar i henhold til EU-direktiv og standarder for artikkel
- Ⓒ Lysis uppfylling EU-regina og annarra staðla vöru

Heißluftpistole CXHA 2000 (Challenge Xtreme)

- | | |
|---|--|
| <input type="checkbox"/> 2009/105/EC | <input type="checkbox"/> 2006/42/EC |
| <input checked="" type="checkbox"/> 2006/95/EC | <input type="checkbox"/> Annex IV
Notified Body:
Reg. No.: |
| <input type="checkbox"/> 2006/28/EC | |
| <input type="checkbox"/> 2005/32/EC | |
| <input checked="" type="checkbox"/> 2004/108/EC | <input type="checkbox"/> 2000/14/EC_2005/88/EC |
| <input type="checkbox"/> 2004/22/EC | <input type="checkbox"/> Annex V |
| <input type="checkbox"/> 1999/5/EC | <input type="checkbox"/> Annex VI
Noise: measured L _{WA} = dB (A); guaranteed L _{WA} = dB (A)
P = kW; L/D = cm
Notified Body: |
| <input type="checkbox"/> 97/23/EC | |
| <input type="checkbox"/> 90/396/EC | <input type="checkbox"/> 2004/26/EC
Emission No.: |
| <input type="checkbox"/> 89/686/EC_96/58/EC | |

Standard references: EN 60335-1; EN 60335-2-45; EN 62233;
EN 55014-1; EN 55014-2; EN 61000-3-2; EN 61000-3-3

Landau/Isar, den 08.03.2010  

First CE: 05
Art.-No.: 45.201.72 I.-No.: 11010
Subject to change without notice

Archive-File/Record: 4520170-28-4155050-07
Documents registrar: Georg Riedel
Wiesenweg 22, D-94405 Landau/Isar



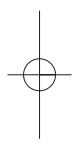
Ⓢ For EU countries only

Never place any electric tools in your household refuse.

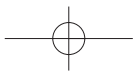
To comply with European Directive 2002/96/EC concerning old electric and electronic equipment and its implementation in national laws, old electric tools have to be separated from other waste and disposed of in an environment-friendly fashion, e.g. by taking to a recycling depot.

Recycling alternative to the demand to return electrical devices:

As an alternative to returning the electrical device, the owner is obliged to cooperate in ensuring that the device is properly recycled if ownership is relinquished. This can also be done by handing over the used device to a returns center, which will dispose of it in accordance with national commercial and industrial waste management legislation. This does not apply to the accessories and auxiliary equipment without any electrical components which are included with the used device.



Ⓢ Technical changes subject to change



Product Guarantee

This product is guaranteed against manufacturing defects for a period of

1 Year

This does not cover the product where the fault is due to misuse, abuse, use in contravention of the instructions, or where the product has been the subject of unauthorised modifications or alterations, or has been the subject of commercial use.

In the event of a problem with the product within the guarantee period please return it to your nearest store.

If the item is shown to have had an inherent defect present at the time of sale, the store will provide you with a replacement.

Your statutory rights remain unaffected

Guarantor; Home Retail Group
489 – 499 Avebury Boulevard
Central Milton Keynes
MK9 2NW

Importer; Einhell UK
Unit 5 Morpeth Wharf
Twelve Quays
Birkenhead
Wirral
CH41 1LF

Helpline No: UK 0151 649 1500 / IRE 189 094 6244

