

GB

Original operating instructions  
**Chain Sharpener**

**Einhell**<sup>®</sup>

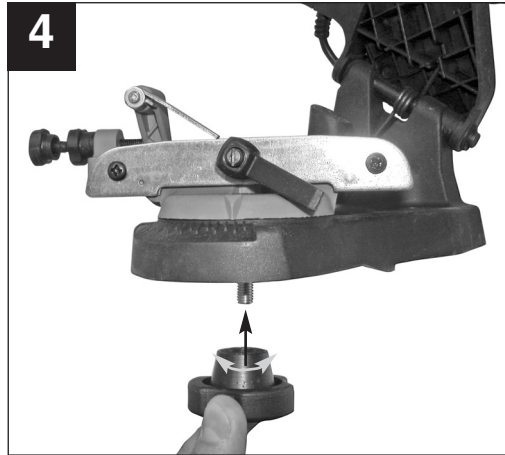
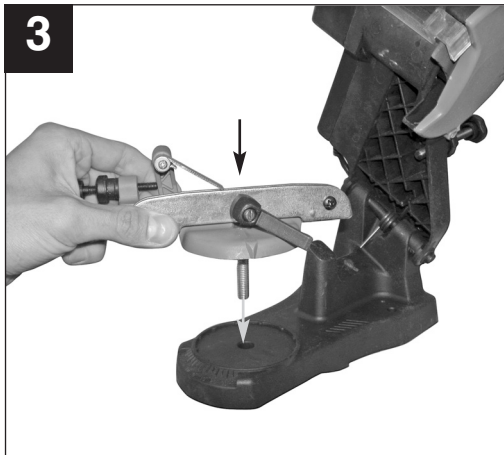
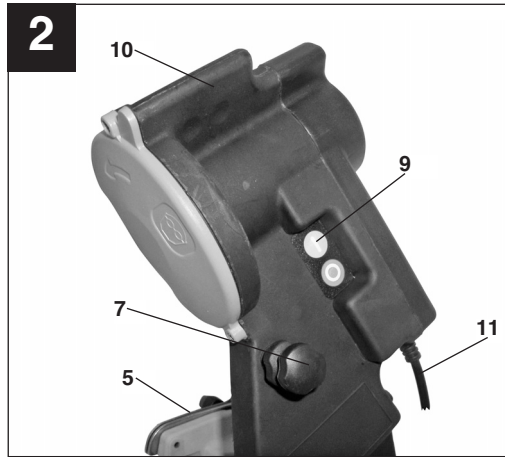
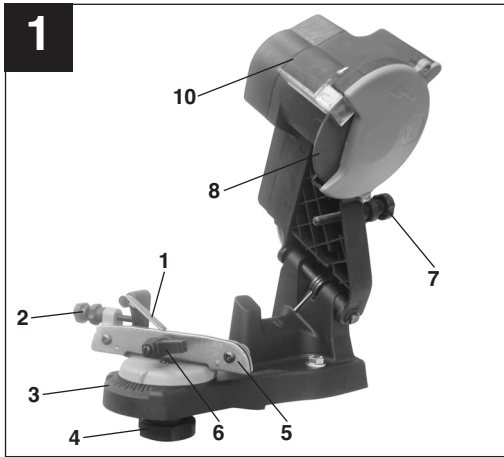
1

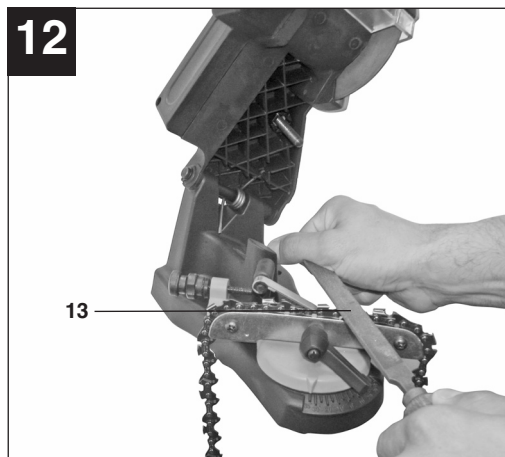
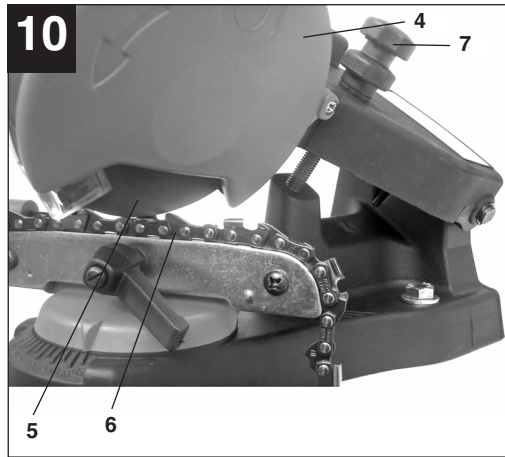
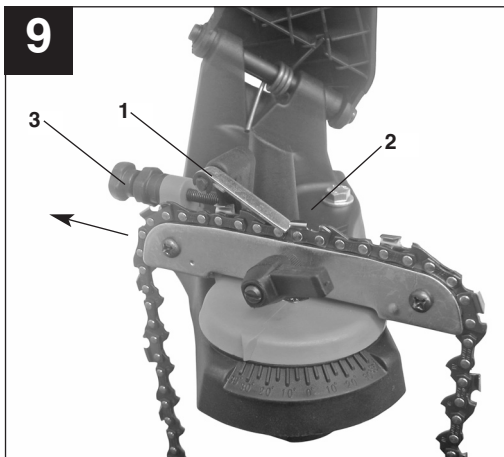
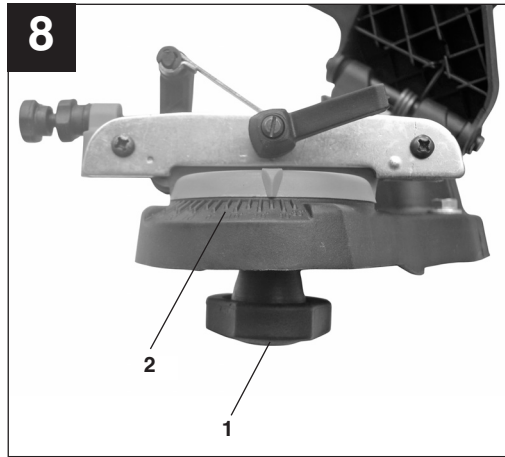
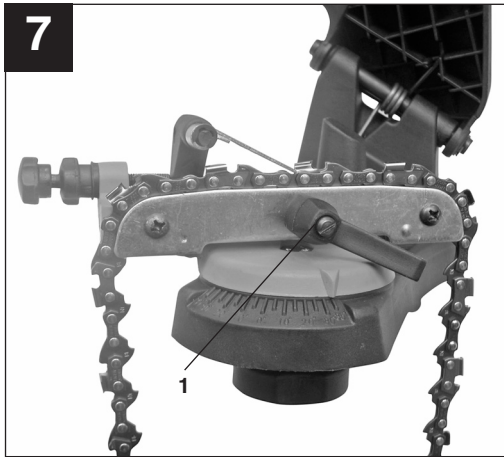


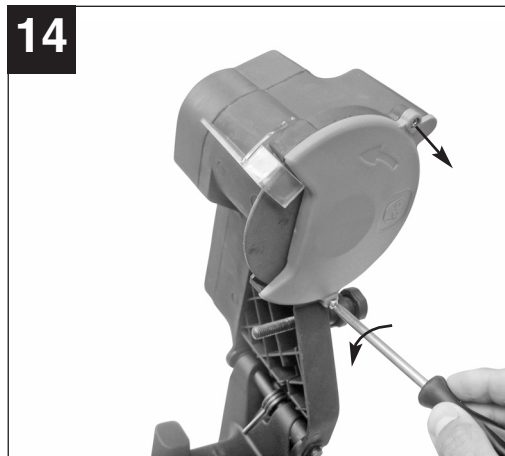
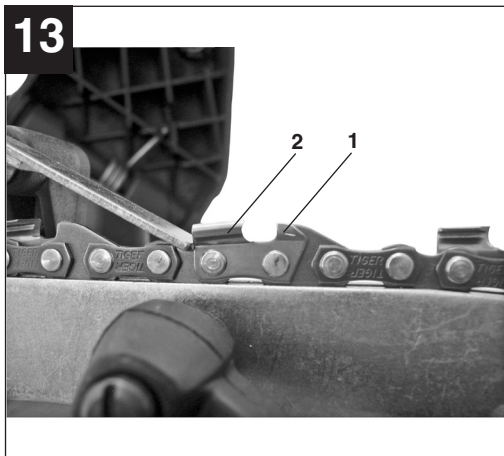
**Art.-Nr.: 44.000.56**

**I.-Nr.: 11012**

**BG-CS 85 E**







**GB**

**Table of contents:**

1. Safety regulations
2. Layout
3. Items supplied
4. Intended use
5. Technical data
6. Before starting the equipment
7. Operation
8. Cleaning, maintenance and ordering of spare parts
9. Disposal and recycling

**⚠ Important!**

When using the equipment, a few safety precautions must be observed to avoid injuries and damage. Please read the complete operating instructions and safety regulations with due care. Keep this manual in a safe place, so that the information is available at all times. If you give the equipment to any other person, hand over these operating instructions and safety regulations as well. We cannot accept any liability for damage or accidents which arise due to a failure to follow these instructions and the safety instructions.

**1. Safety regulations**

The corresponding safety information can be found in the enclosed booklet.

**⚠ CAUTION!**

Read all safety regulations and instructions. Any errors made in following the safety regulations and instructions may result in an electric shock, fire and/or serious injury. Keep all safety regulations and instructions in a safe place for future use.

**2. Layout (Fig. 1/2)**

1. Chain stopper
2. Chain stopper setting screw
3. Scale for setting grinding angle
4. Locking screw for grinding angle setting
5. Chain bar for chain
6. Chain locking screw
7. Setting screw for limiting depth
8. Grinding wheel
9. ON/OFF switch
10. Grinding head
11. Power cord

**3. Items supplied**

- Open the packaging and take out the equipment with care.
- Remove the packaging material and any packaging and/or transportation braces (if available).
- Check to see if all items are supplied.
- Inspect the equipment and accessories for transport damage.
- If possible, please keep the packaging until the end of the guarantee period.

**IMPORTANT**

The equipment and packaging material are not toys. Do not let children play with plastic bags, foils or small parts. There is a danger of swallowing or suffocating!

- Original operating instructions
- Safety instructions

**4. Intended use**

The chain sharpener is designed for sharpening saw chains.

The machine is to be used only for its prescribed purpose. Any other use is deemed to be a case of misuse. The user / operator and not the manufacturer will be liable for any damage or injuries of any kind caused as a result of this.

Please note that our equipment has not been designed for use in commercial, trade or industrial applications. Our warranty will be voided if the machine is used in commercial, trade or industrial businesses or for equivalent purposes.

The machine must only be used for its intended purpose! Even when the equipment is used as prescribed it is still impossible to eliminate certain residual risk factors. The following hazards may arise in connection with the machine's construction and layout:

- Contact with the grinding wheel where it is not covered.
- Catapulting of parts from damaged grinding wheels.
- Catapulting of workpieces and parts of workpieces from the machine.
- Damage to hearing if ear-muffs are not used as necessary.

**GB**

## 5. Technical data

Rated voltage:	230V ~ 50Hz
Power input:	S2 20 min 85 watts
Idle speed:	4800 min <sup>-1</sup>
Adjustment angle:	35° to the left and right
Grinding wheel Ø (inside):	23mm
Grinding wheel Ø (outside):	max. 108mm
Grinding wheel thickness:	3.2 mm
Totally insulated:	II / □
Weight:	2.15 kg

### Load factor:

A load factor of S2 20 min (intermittent periodic duty) means that you may operate the motor continuously at its nominal power level (85 W) for no longer than the time stipulated on the specifications label (20 minutes ON period). If you fail to observe this time limit the motor will overheat. During the OFF period the motor will cool again to its starting temperature.

## Sound and vibration

Sound and vibration values were measured in accordance with EN 61029.

L <sub>pA</sub> sound pressure level	80 dB(A)
K <sub>pA</sub> uncertainty	3 dB
L <sub>WA</sub> sound power level	93 dB(A)
K <sub>WA</sub> uncertainty	3 dB

### Wear ear-muffs.

The impact of noise can cause damage to hearing.

Total vibration values (vector sum of three directions) determined in accordance with EN 61029.

### Grinding

Vibration emission value  $a_h = 2,69 \text{ m/s}^2$

K uncertainty = 1,5 m/s<sup>2</sup>

### Warning!

The specified vibration value was established in accordance with a standardized testing method. It may change according to how the electric equipment is used and may exceed the specified value in exceptional circumstances.

The specified vibration value can be used to compare the equipment with other electric power tools.

The specified vibration value can be used for initial assessment of a harmful effect.

Keep the noise emissions and vibrations to a minimum.

- Only use appliances which are in perfect working order.
- Service and clean the appliance regularly.
- Adapt your working style to suit the appliance.
- Do not overload the appliance.
- Have the appliance serviced whenever necessary.
- Switch the appliance off when it is not in use.
- Wear protective gloves.

### Residual risks

Even if you use this electric power tool in accordance with instructions, certain residual risks cannot be ruled out. The following hazards may arise in connection with the equipment's construction and layout:

1. Lung damage if no suitable protective dust mask is used.
2. Damage to hearing if no suitable ear protection is used.

## 6. Before starting the equipment

Before you connect the equipment to the mains supply make sure that the data on the rating plate are identical to the mains data.

Always pull out the power plug before making adjustments to the equipment.

### Assembly (Fig. 3-6)

- Place the chain clamping mechanism in the chuck (Fig. 3) and screw from underneath using the star screw (Fig. 4)
- Before starting the chain sharpener, fasten it securely to a suitable surface (e.g. a workbench) at a suitable place (protected against dust, dry, well-lit) using M8 fixing screws and washers (Fig. 5)
- Make sure when doing so that the mounting plate of the chain sharpener is pushed onto the surface as far as it will go (Fig. 6)

## 7. Operation

**Important!** Always switch the appliance off and unplug the power plug before making any adjustments.

### 7.1 Insert the chain that is to be sharpened into the chain bar (Fig. 7)

- To do this, loosen the chain locking screw (1)

### 7.2 Set the grinding angle according to the specifications for your chain (Fig. 8) (normally between 30-35°)

- Slacken the locking screw for setting the grinding angle (1)
- Set the desired grinding angle using the scale (2)
- Tighten the locking screw (1) again

### 7.3 Set the chain stopper (Fig. 9/10)

- Fold the chain stopper (1) onto the chain
- Pull the chain backwards against the chain stopper (1) until the latter stops a cutting link (2)  
**Important!** You must make sure that the angle of the stopped cutting link coincides with the grinding angle. If it does not, pull the chain one link further.
- Fold the grinding head (4) down until the grinding wheel (5) is touching the chain link (6) that is to be ground. (To do so, you can move the chain back and forth a little using the setting screw of the chain stopper (3))

### 7.4 Set the depth limit (Fig. 10)

- Fold the grinding head (4) down and set the grinding depth using the setting screw (7)  
**Important!** The grinding depth should be set so that the full cutting edge of the cutting link is sharpened.

### 7.5 Lock the chain (Fig. 7)

- Tighten the chain locking screw (1)

### 7.6 Grinding the chain links (Fig. 10/11)

**Important!**

- Only use the equipment for sharpening saw chains. Never grind or cut other materials.
- Before sharpening the saw chain clamp it into the chain bar. This will prevent jamming of the grinding wheel caused by a loose saw chain.
- Slowly guide the grinding wheel to the saw blade. If the grinding wheel approaches the saw chain too quickly or jerkily, this may cause damage to the grinding wheel. Injuries may result from catapulting parts!
- Switch the appliance on at the ON/OFF switch (1)

- Carefully bring the grinding wheel (5) with grinding head (4) so that it is against the set link
- Switch the appliance off at the ON/OFF switch (1)

Every second link in the chain must be sharpened in this way. To know when every second link in the entire chain has been sharpened, mark the first link (e.g. with chalk). Once all cutting links on one side have been sharpened, the grinding angle must be set to the same number of degrees on the other side. You can then begin to sharpen the links of the other side (without having to make any further adjustments).

### 7.7 Set the depth limiter spacing (Fig. 12/13)

Once the chain has been fully sharpened, you must make sure that the depth limiter spacing is kept (the depth limiters (1) must be lower than the cutting links (2)). You may need to file the depth limiters (1) to the specifications for your chain using a file (3) (not included in delivery).

## 8. Cleaning, maintenance and ordering of spare parts

Always pull out the mains power plug before starting any cleaning work.

### 8.1 Cleaning

Keep all safety devices, air vents and the motor housing free of dirt and dust as far as possible. Wipe the equipment with a clean cloth or blow it with compressed air at low pressure.

We recommend that you clean the tool immediately after you use it.

Clean the equipment regularly with a moist cloth and some soft soap. Do not use cleaning agents or solvents; these may be aggressive to the tool's plastic parts. Ensure that no water can get into the interior of the tool.

### 8.2 Changing the grinding wheel

**Important!** Always switch the appliance off and unplug the power plug before carrying out any maintenance.

1. Remove the grinding wheel (Figs. 14-16)
2. Fit a new grinding wheel
3. Assemble in reverse order

Do not use grinding wheels that are worn, broken, cracked or otherwise damaged. Use only genuine grinding wheels.



**GB**

### **8.3 Ordering replacement parts**

Please provide the following information on all orders for spare parts:

- Model/type of tool
- Article number of the tool
- ID number of the tool
- Number of the required spare part

For our latest prices and information please go to [www.einhell.com.au](http://www.einhell.com.au)

## **9. Disposal and recycling**

The unit is supplied in packaging to prevent its being damaged in transit. This packaging is raw material and can therefore be reused or can be returned to the raw material system.

The unit and its accessories are made of various types of material, such as metal and plastic.

Defective components must be disposed of as special waste. Ask your dealer or your local council.

The guarantee provided in this Guarantee Certificate is given by Einhell Australia Pty Limited  
ACN 134 632 858 of 6/166 Wellington Street, Collingwood, Victoria (Telephone number 1300 922 271)  
(Einhell Express Guarantee).

## GUARANTEE CERTIFICATE

Dear Customer,

All of our products undergo strict quality checks. In the unlikely event that your device develops a fault, please contact our service department at the address shown on this guarantee certificate. Of course, if you would prefer to call us then we are also happy to offer our assistance under the service number printed below. Please note the following terms under which claims under the Einhell Express Guarantee can be made:

1. The benefits conferred by the Einhell Express Guarantee are in addition to all rights and remedies which you may be entitled to under the Australian Consumer Law, and any other statutory rights you may have under other applicable laws. This Einhell Express Guarantee does not exclude, restrict or modify any such rights or remedies.

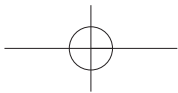
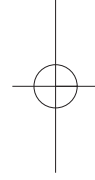
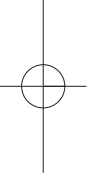
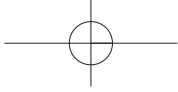
We do not charge you for the Einhell Express Guarantee.

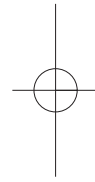
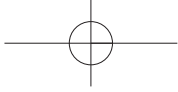
2. Our goods come with guarantees that cannot be excluded under the Australian Consumer Law. You are entitled to a replacement or refund for a major failure and for compensation for any other reasonably foreseeable loss or damage. You are also entitled to have the goods repaired or replaced if the goods fail to be of acceptable quality and the failure does not amount to a major failure.
3. The Einhell Express Guarantee only covers problems caused by material or manufacturing defects, and our liability under the Einhell Express Guarantee is limited, at our discretion, to the rectification of these defects or replacement of the product. Please note that the product has not been designed for use in commercial, trade or industrial applications. Consequently, the Einhell Express Guarantee will not apply if the product is used in commercial, trade or industrial applications or for other equivalent activities.
4. The following are also excluded from the Einhell Express Guarantee: compensation for transport damage, damage caused by failure to comply with the installation/assembly instructions or damage caused by unprofessional installation, failure to comply with the operating instructions (e.g. connection to the wrong mains voltage or current type), misuse or inappropriate use (such as overloading of the product or use of non-approved tools or accessories), failure to comply with the maintenance and safety regulations, ingress of foreign bodies into the product (e.g. sand, stones or dust), effects of force or external influences (e.g. damage caused by the product being dropped) and normal wear resulting from proper operation of the product. The Einhell Express Guarantee will also not apply if any attempt is made to tamper with the product.
5. The Einhell Express Guarantee is valid for a period of 2 years starting from the purchase date of the product. Claims made under the Einhell Express Guarantee should be submitted before the end of this guarantee period and within two weeks of the defect being noticed. No claims under the Einhell Express Guarantee will be accepted if submitted after the end of this guarantee period. The original guarantee period remains applicable to the device even if repairs are carried out or parts are replaced. In such cases, the work performed or parts fitted will not result in an extension of the guarantee period for the Einhell Express Guarantee, and the Einhell Express Guarantee will not apply for the work performed or parts fitted. This also applies when an on-site service is used.
6. To make a claim under the Einhell Express Guarantee, please send the relevant product postage-free to the address shown below and enclose either the original or a copy of your sales receipt or another dated proof of purchase. It would help us if you could describe the nature of the problem in as much detail as possible. If the defect is covered by the Einhell Express Guarantee, your product will be repaired immediately and returned to you, or we will send you a new device (at our election).

Any costs incurred by you in making a claim under this Einhell Express Guarantee, unless specified otherwise in this guarantee certificate, must be borne by you.

Of course, we are also happy to offer a chargeable repair service for any defects which are not covered by the scope of the Einhell Express Guarantee or for products which are no longer covered by the Einhell Express Guarantee. To take advantage of this service, please send the product to our service address.

EINHELL AUSTRALIA PTY LTD  
6/166 Wellington Street  
Collingwood VIC 3066  
Australia  
Phone: 1300 922 271





EH 09/2012 (01)

