

**PARKSIDE**

**PBH 1100 A1**



GB CY

### SDS-PLUS-HAMMER DRILL

Operation and Safety Notes  
Original operating instructions

HR

### UDARNA BUŠILICA

Upute za posluživanje i za Vašu sigurnost  
Originalne upute za uporabu

RO

### CIOSAN ROTOPERCUTOR

Indicații de siguranță și de folosire  
Instrucțiuni de utilizare originale

BG

### ПРОБИВАЩ И ИЗДЪЛБАВАЩ ЧУК

Указания за обслужване и безопасност  
Оригинална работна инструкция

GR CY

### ΚΡΟΥΣΤΙΚΟ ΔΡΑΠΑΝΟ

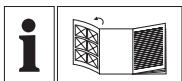
Υποδείξεις χειρισμού και ασφαλείας  
Πρωτότυπες Οδηγίες χρήσης

DE AT CH

### BOHR- UND MEISSELHAMMER

Bedienungs- und Sicherheitshinweise  
Originalbetriebaranleitung

7+



GB CY

Before reading, unfold the page containing the illustrations and familiarise yourself with all functions of the device.

HR

Prije nego što pročitate tekst, otvorite stranicu sa slikama i upoznajte se na osnovu toga sa svim funkcijama uređaja.

RO

Înainte de a citi instrucțiunile, deschideți pagina cu figuri și apoi familiarizați-vă cu toate funcțiile aparatului.

BG

Преди прочита отворете страницата с изображенията и се запознайте след това с всички функции на уреда.

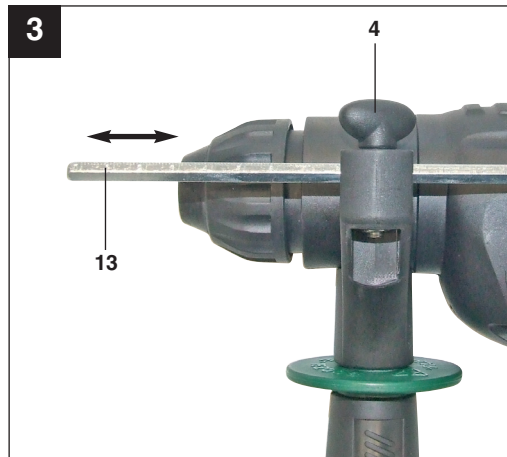
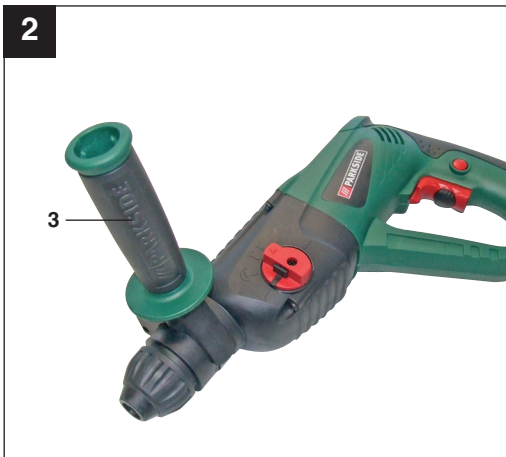
GR CY

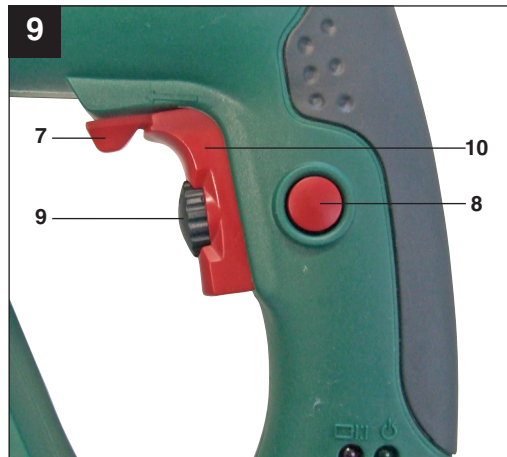
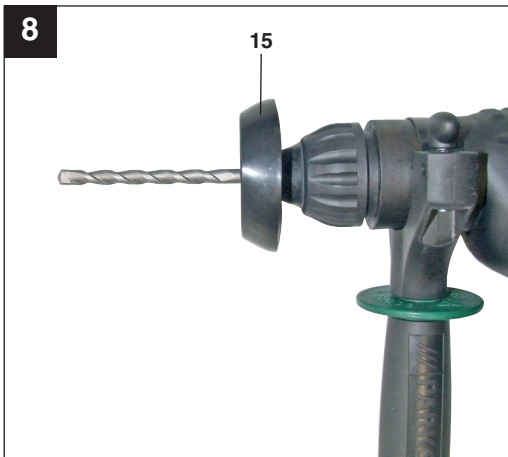
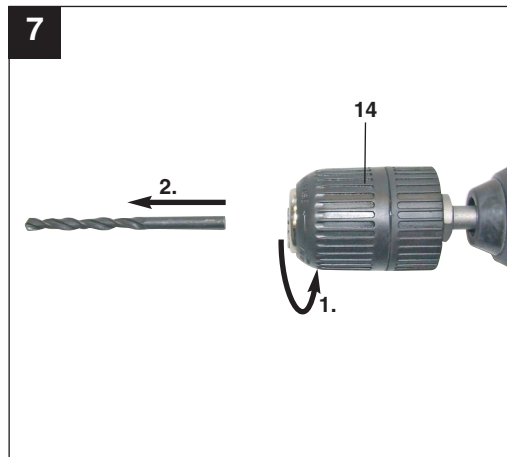
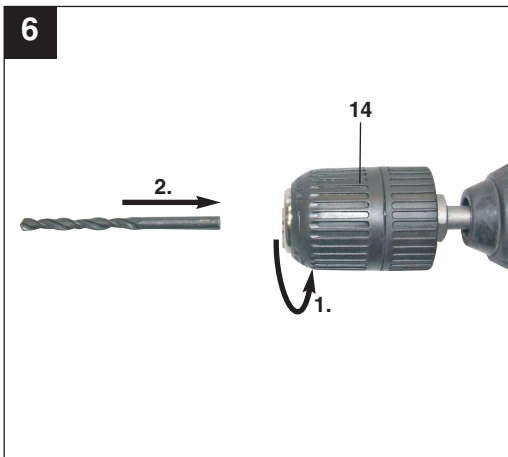
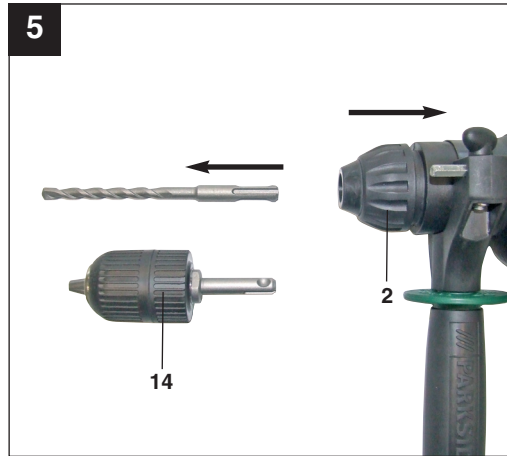
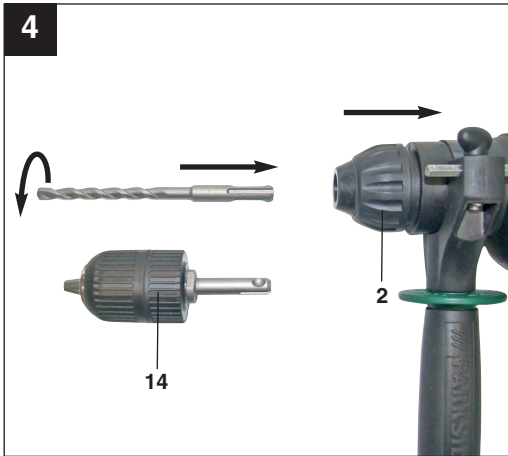
Πριν ξεκινήσετε την ανάγνωση, ανοίξτε τη σελίδα με τις εικόνες και εξοικειωθείτε με όλες τις λειτουργίες της συσκευής.

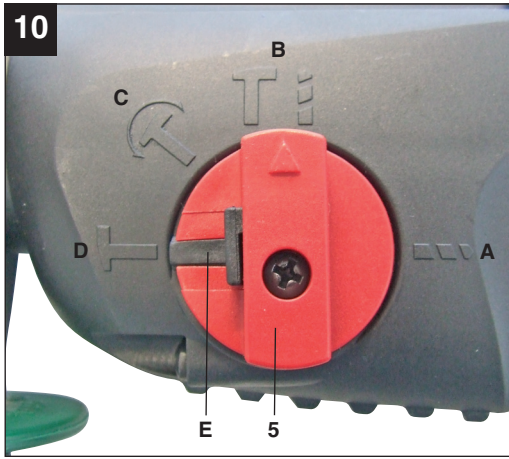
DE AT CH

Klappen Sie vor dem Lesen die Seite mit den Abbildungen aus und machen Sie sich anschließend mit allen Funktionen des Gerätes vertraut.

GB/MT	Operation and Safety Notes	Page	6
HR	Upute za posluživanje i za Vašu sigurnost	Stranica	18
RO	Indicații de siguranță și de folosire	Pagina	30
BG	Указания за обслужване и безопасност	Страница	43
GR/CY	Υποδείξεις χειρισμού και ασφαλείας	Σελίδα	57
DE/AT/CH	Bedienungs- und Sicherheitshinweise	Seite	71







GB/  
CY

**Table of contents:**

**Page**

1. Introduction .....	8
2. Safety regulations .....	8-10
3. Layout .....	11
4. Items supplied.....	11
5. Proper use .....	11
6. Technical data .....	11-12
7. Before starting the equipment.....	12-13
8. Starting up.....	13-14
9. Replacing the power cable .....	14
10. Cleaning, maintenance and ordering of spare parts .....	15
11. Disposal and recycling.....	15
12. Declaration of conformity .....	16
13. Guarantee Certificate .....	17

The reprinting or reproduction by any other means, in whole or in part, of documentation and papers accompanying products is permitted only with the express consent of ISC GmbH.

Technical changes subject to change

## Additional safety instructions



“Caution - Read the operating instructions to reduce the risk of injury”



### **Wear ear-muffs.**

The impact of noise can cause damage to hearing.



### **Wear a breathing mask.**

Dust which is injurious to health can be generated when working on wood and other materials. Never use the device to work on any materials containing asbestos!



### **Wear safety goggles.**

Sparks generated during working or splinters, chips and dust emitted by the device can cause loss of sight.

1



2



Select between the individual functions only when the equipment is at a standstill. If you fail to observe this point, the equipment may be damaged.



GB/  
CY

## 1. Introduction

### ⚠ Important!

When using equipment, a few safety precautions must be observed to avoid injuries and damage. Please read the complete operating manual with due care. Keep this manual in a safe place, so that the information is available at all times. If you give the equipment to any other person, give them these operating instructions as well.

We accept no liability for damage or accidents which arise due to non-observance of these instructions and the safety information.

## 2. Safety regulations

### ⚠ CAUTION!

**Read all safety regulations and instructions.**

Any errors made in following the safety regulations and instructions may result in an electric shock, fire and/or serious injury.

**Keep all safety regulations and instructions in a safe place for future use.**

The term "electric tool" used in the safety regulations refers to electric tools operated from the mains power supply (with a power cable) and to battery operated electric tools (without a power cable).

### 1. Workplace safety

- **Keep your work area clean and well illuminated.** Untidy or unlit work areas can result in accidents.
- **Do not use this tool in a potentially explosive environment containing combustible liquids, gases or dust.** Electric tools generate sparks, which can in turn ignite dust or vapors.
- **Keep children and other persons away from the electric tool while it is being used.** Allowing yourself to get distracted can cause you to lose control of the tool.

## 2. ELECTRICAL SAFETY

- **The tool's connector plug must be able to fit into the socket outlet. Do not modify the plug in any way! Do not use adapter plugs in conjunction with electrically grounded tools.** Unmodified plugs and matching socket outlets reduce the risk of an electric shock.
- **Avoid touching grounded surfaces, such as those of pipes/tubes, heaters, cookers and refrigerators.** There is an increased risk of getting an electric shock if you are electrically grounded.
- **Keep the tool away from rain and moisture/wet conditions.** Penetration of water into an electric tool increases the risk of an electric shock.
- **Do not use the cable to carry the tool, hang it up or pull the plug out of the socket. Keep the cable away from sources of heat, oil, sharp edges and moving tool parts.** Damaged or tangled cable increases the risk of an electric shock.
- **If you intend to use an electric tool outdoors, ensure that you only use extension cable that is approved for outdoor applications.** Using extension cable that is approved for outdoor applications reduces the risk of an electric shock.
- **If operation of the electric tool in a damp environment can not be avoided, use a earth-leakage circuit-breaker.** The earth-leakage circuit-breaker reduces the risk of an electric shock.

## 3. PERSONAL SAFETY

- **Be alert, work conscientiously and exercise appropriate caution when using the electric tool. Do not use the tool if you are tired or are under the influence of drugs/medication or alcohol.** One moment of carelessness or lack of attention when using the electric tool can cause serious bodily injury!
- **Always wear personal protective equipment (PPE), including safety goggles.**



Wearing personal protective equipment such as a dust mask, non-slip footwear, protective headgear and ear muffs (depending upon the type of electric tool and the particular application) reduces the risk of sustaining injury.

- **Make sure that the tool cannot start up accidentally. Ensure that the electric tool is switched off before you connect the tool to the power supply and/or insert the battery, or pick up or carry the tool.**

Physically touching the switch with your finger when carrying the tool or connecting the tool to the power supply switched on can lead to accidents.

- **Remove adjusting tools/wrench(es) prior to switching on the power tool.**

A tool or wrench that is positioned inside a rotating power tool part can cause injury.

- **Avoid abnormal working postures. Make sure you stand squarely and keep your balance at all times.**

This way, you will be able to have better control over the tool in unexpected situations.

- **Wear suitable clothes. Never wear loose fitting clothes or jewelry. Keep hair, clothes and gloves away from moving parts.**

Loose clothing, dangling jewelry and long hair can be caught by moving parts.

- **If dust extraction and dust collection devices can be mounted, ensure that these are connected and are properly used.**

The use of a dust extraction system can reduce the danger posed by dust.

#### 4. Using the treatment of electric tools

- **Do not overload your tool. Only use suitable electric tools to perform your work.**

Using the right electric tool allows you to work better and safer within the tool's quoted capacity range.

- **Do not use an electric tool whose switch is defective.**

An electric tool that no longer can be switched on or off is dangerous and must

be repaired.

- **Pull the plug out of the socket and/or remove the battery before making any adjustments to the tool, changing accessories or put the tool down.**

This precaution eliminates the possibility of inadvertently starting the tool.

- **When not in use, store electric tools out of the reach of children. Do not allow those persons to use this tool who are unfamiliar with it or who have not read these instructions.**

Electric tools are dangerous when they are used by inexperienced persons.

- **Take good care of your tool. Check that moving parts properly function and do not jam, that parts are not broken off or damaged in any way and that the tool can be used to its full capacity. Have damaged parts repaired prior to using the tool.**

The cause of many accidents can be traced back to poorly maintained electric tools.

- **Keep your blades sharp and clean.** Properly maintained blades with sharp edges jam less frequently and are easier to use.

- **Make sure to use electric tools, accessories, attachments, etc. in accordance with these instructions. Take the conditions in your work area and the job in hand into account.**

Using electric tools for applications other than those intended can lead to dangerous situations.

#### 5. SERVICE

- **Have your tool repaired only by authorized specialists using original replacement parts.**

This will ensure that your tool remains safe to use.

GB/  
CY**Safety information for hammers**

- **Wear ear protection.** The impact of noise can cause damage to hearing.
- **Use the additional handles supplied with the tool.** Losing control of the tool can cause injuries.
- **Hold the equipment by the insulated handles when carrying out work during which the plug-in tool could strike concealed power cables or its own mains lead.** Contact with a live cable can also make the metal parts of the equipment live and will cause an electric shock.

**Additional Safety rules for SDS-Plus-Hammer Drill**

- Check that your mains voltage is the same as that marked on the rating plate.
- If you use a cable reel, run all the cable off the reel. The minimum conductor cross section used should be 1.5 mm<sup>2</sup>.
- Make sure of your footing, particularly when working free-handed on ladders or scaffolding.
- Use a detector to localize pipes and/or cables in walls with concealed electric, water or gas lines. Avoid any contact with conducting electrical parts or lines.
- Wear ear-muffs to protect your hearing: Risk of progressive loss of hearing!
- Wear goggles and use a breathing mask on dusty jobs.
- Never use the machine near vapors or combustible liquids.
- Always unplug the machine before cleaning it or changing drill bits etc.
- Keep the power cable safe from damage. Oil and acids can damage cables.
- Never overload the machine.
- Important!  
Follow all safety regulations in your country applicable to the installation, use and maintenance of the machine.
- Chisel bits and drill bits can be inadvertently thrown out from the machine and cause serious injury:
  - Always check that the chisel bit or drill bit is firmly locked in the chuck before you start work.

- Check the chuck for wear or damage at regular intervals.

- Do not start a hammering tool until it is pressed against a workpiece (wall, ceiling, etc.).
- Always unplug the hammer drill when you have finished working and remove the chisel bit or drill bit from the tool.
- Always unplug the machine before changing chisel bits or drill bits etc.
- Protect eyes and assistants from small flying parts and splinters. Wear a helmet! Erect a screen wall!
- Work gloves protect you against skin abrasions.
- Vibrations can be harmful to the hand-arm system: Keep the impact time of vibrations to a minimum.
- Always keep the power cable away from where you want to drill.
- Keep the machine out of children's reach.
- Always hold the machine with two hands when it is running and make sure of your footing.
- Make sure that the switch on the machine is set to the correct position for the work you want to perform before you put the machine into operation. If the switch is not in the correct position you risk suffering bodily injury when the machine starts to run.

**Save this instructions.**

### 3. Layout (Fig. 1)

1. Dust guard
2. Locking sleeve
3. Additional handle
4. Locking screw for depth stop
5. Selector switch for drill/hammer drill/chisel
6. Handle
7. Clockwise/counter-clockwise switch
8. Locking button
9. Speed controller
10. ON/OFF switch
11. Operating status indicator
12. Indicator for carbon brush wear
13. Depth stop
14. Additional quick-change drill chuck
15. Dust absorption device

### 4. Items supplied

Take all the parts out of the packaging.  
Check that nothing is missing.

- PBH 1100 A1 SDS-Plus-Hammer Drill
- Additional handle
- Depth stop
- Drill bits for stone (6, 8, 10 mm)
- Pointed chisel / flat chisel
- Additional quick-change drill chuck
- Dust absorption device
- Operating instructions

### 5. Proper use

The tool is designed for drilling with hammer action in concrete, rock and brick, as well as for chiseling work, always using the respective correct drill or chisel bit.

The equipment is to be used only for its prescribed purpose. Any other use is deemed to be a case of misuse. The user / operator and not the manufacturer will be liable for any damage or injuries of any kind caused as a result of this.

Please note that our equipment has not been designed for use in commercial, trade or industrial applications. Our warranty will be voided if the machine is used in commercial, trade or industrial businesses or for equivalent purposes.

### 6. Technical data

Mains voltage:	230-240 V ~ 50 Hz
Power input:	1050 W
Idling speed:	0-1100 rpm
Blow rate:	0-5100 rpm
Drilling capacity in concrete/stone (max.):	Ø 26 mm
Protection class:	II / □
Weight:	3.6 kg

### Sound and vibration

Sound and vibration values were measured in accordance with EN 60745.

$L_{pA}$ sound pressure level	91.8 dB(A)
$K_{pA}$ uncertainty	3 dB
$L_{WA}$ sound power level	102.8 dB(A)
$K_{WA}$ uncertainty	3 dB

GB/  
CY

The hammer drill is not designed for outdoors use as specified in Article 3 of Directive 2000/14/EC\_2005/88/EC.

#### **Wear ear-muffs.**

The impact of noise can cause damage to hearing.

Total vibration values (vector sum of three directions) determined in accordance with EN 60745.

#### **Hammer drilling in concrete**

Vibration emission value  $a_h = 15.81 \text{ m/s}^2$   
K uncertainty =  $1.5 \text{ m/s}^2$

#### **Chiseling**

Vibration emission value  $a_h = 15.668 \text{ m/s}^2$   
K uncertainty =  $1.5 \text{ m/s}^2$

#### **Warning!**

The specified vibration value was established in accordance with a standardized testing method. It may change according to how the electric equipment is used and may exceed the specified value in exceptional circumstances.

The specified vibration value can be used to compare the equipment with other electric power tools.

The specified vibration value can be used for initial assessment of a harmful effect.

#### **Keep the noise emissions and vibrations to a minimum.**

- Only use appliances which are in perfect working order.
- Service and clean the appliance regularly.
- Adapt your working style to suit the appliance.
- Do not overload the appliance.
- Have the appliance serviced whenever necessary.
- Switch the appliance off when it is not in use.
- Wear protective gloves.

## **7. Before starting the equipment**

#### **⚠ Important!**

Before you connect the equipment to the mains supply make sure that the data on the rating plate are identical to the mains data.

Always pull the power plug before making adjustments to the equipment.

Check the drilling point for concealed electrical cables, gas and water pipes using a cable/pipe detector.

#### **7.1 Additional handle (Fig. 2 – Item 3)**

##### **For safety reasons you must only use the hammer drill with the additional handle.**

The additional handle (3) enables you to achieve better stability whilst using the equipment. Do not use the equipment without the additional handle (3). The additional handle (3) is secured to the equipment by a clamp. Turning the additional handle (3) clockwise tightens this clamp. Turning it anti-clockwise will release the clamp.

- The supplied additional handle (3) must first be fitted. To do this, turn the additional handle (3) until the clamp is opened wide enough for you to slide the additional handle (3) onto the equipment.
- After you have mounted the additional handle (3), swivel it to the most comfortable working position for yourself.
- Now turn the additional handle (3) in the opposite direction again until the additional handle (3) is secure.
- The additional handle (3) is suitable for both left-handed and right-handed users.

#### **7.2 Depth stop (Fig. 3 – Item 13)**

The depth stop (13) is held in place by clamping with the locking screw (4) on the additional handle (3).

- Release the locking screw (4) and insert the depth stop (13).
- Set the depth stop (13) to the same level as the drill bit.
- Pull the depth stop (13) back by the required drilling depth.

- Tighten the locking screw (4) again.
- Now drill the hole until the depth stop (13) touches the workpiece.
- The depth stop (13) is notched to prevent it from shifting when in use.

### 7.3. Tool insertion (Fig. 4)

- Clean the tool before insertion and apply a thin coating of drill bit grease to the shaft of the tool.
- Pull back and hold the locking sleeve (2).
- Turn and push the dust-free tool into the tool mounting as far as it will go. The tool will lock automatically, after the locking sleeve is released.
- Check that it is properly secure by pulling the tool.

### 7.4. Tool removal (Fig. 5)

Pull back and hold the locking sleeve (2) and remove the tool.

### 7.5 Dust collection device (Fig. 8)

Slide the dust collection device (15) over the drill bit before carrying out any hammer drilling vertically above your head.

### 7.6 Fitting the quick-change drill chuck (Fig. 4)

- Clean the quick-change drill chuck (14) before fitting it and apply a thin coating of drill bit grease to the quick-change drill chuck shaft.
- Pull back and hold the locking sleeve (2).
- Turn and push the dust-free quick-change drill chuck (14) into the tool mounting as far as it will go. The quick-change drill chuck (14) will lock automatically after the locking sleeve is released.
- Check that it is secure by pulling the quick-change drill chuck (14).

### 7.7 Removing the additional quick-change drill chuck (Fig. 5)

Pull back and hold the locking sleeve (2) and remove the quick-change drill chuck.

### 7.8 Inserting the bit into the quick-change drill chuck (Figure 6-7)

#### ⚠ Important.

- Always pull the power plug before making adjustments to the equipment.
- Release the depth stop (13) as described in 7.2 and push it towards the drill handle. This provides free access to the chuck (14).
- Open the chuck (14). The drill bit opening must be large enough to hold the drill bit.
- Select a suitable drill bit. Push the tool as far as possible into the chuck opening.
- Close the chuck (14). Check that the drill bit is secure in the chuck (14).
- Check at regular intervals that the drill bit or tool is secure (pull the mains plug).

## 8. Starting up

#### ⚠ Important!

**To prevent all danger, the machine must only be held using the two handles (3/6).** Otherwise there may be a risk of suffering an electric shock if you drill into cables.

### 8.1 Status indicator (Fig. 1/Item 11)

The status indicator (11) lights up when the power plug is connected.

### 8.2 ON/OFF switch (Fig. 9/Item 10)

- First fit a suitable drill bit into the tool (see 7.3).
- Connect the mains plug to a suitable socket.
- Position the drill in the position you wish to drill.

#### To switch on:

Press the ON/OFF switch (10)

#### To switch off:

Release the ON/OFF switch (10)

#### Switching on continuous operation:

Secure the ON/OFF switch (10) with the locking button (8). Important. It may only be locked if the drill is set to rotate clockwise.

GB/  
CY**Switching off continuous operation:**

Press the ON/OFF switch (10) briefly.

**8.3 Adjusting the speed (Fig. 9/Item 10)**

- You can infinitely vary the speed whilst using the tool.
- Select the speed by applying a greater or lesser pressure to the ON/OFF switch (10).
- Select the correct speed: The most suitable speed depends on the workpiece, the type of use and the drill bit used.
- Low pressure on the ON/OFF switch (10): Lower speed
- Greater pressure on the ON/OFF switch (10): Higher speed

**Tip:** Start drilling holes at low speed. Then increase the speed in stages.

**Benefits:**

- The drill bit is easier to control when starting the hole and will not slide away.
- You avoid drilling messy holes (for example in tiles).

**8.4 Preselecting the speed (Fig. 9/Item 9)**

- Do not attempt to make this setting whilst the drill is in use.
- The speed setting ring (9) enables you to define the maximum speed. The ON/OFF switch (10) can only be pressed to the defined maximum speed setting.
- Set the speed using the setting ring (9) on the ON/OFF switch (10).

**8.5 Clockwise/Counter-clockwise switch (Fig. 9/Item 7)**

- **Change switch position only when the drill is at a standstill!**
- Switch the direction of the hammer drill using the clockwise/counter-clockwise switch (7):

<b>Direction</b>	<b>Switch position</b>
Clockwise (forwards and drill)	Push in to the left
Counter-clockwise (reverse)	Push in to the right

**8.6 Drill / Hammer drill / Chisel selector switch (Fig. 10)**

**Important. If the additional quick-change drill chuck (14) is mounted, the hammer drill and chisel functions will not be available.**

- For drilling, press the button (E) on the selector switch (5) and simultaneously turn the selector switch (5) to position A.
- For hammer drilling, press the button (E) on the selector switch (5) and simultaneously turn the selector switch (5) to position B.
- For chiseling, press the button (E) on the selector switch (5) and simultaneously turn the selector switch (5) to position C. In switch position C the chisel is not locked.
- For chiseling, press the button (E) on the selector switch (5) and simultaneously turn the selector switch (5) to position D. The chisel is locked in position D.

**Important.**

You only require slight contact pressure for hammer drilling. Excessive contact pressure will place an unnecessary strain on the motor. Check bits! at regular intervals. Sharpen or replace blunt bits.

**9. Replacing the power cable**

If the power cable for this equipment is damaged, it must be replaced by the manufacturer or its after-sales service or similarly trained personnel to avoid danger.



## 10. Cleaning, maintenance and ordering of spare parts

### ⚠ Important.

Always pull out the mains power plug before starting any cleaning work.

#### 10.1 Cleaning

- Keep all safety devices, air vents and the motor housing free of dirt and dust as far as possible. Wipe the equipment with a clean cloth or blow it with compressed air at low pressure.
- We recommend that you clean the device immediately each time you have finished using it.
- Clean the equipment regularly with a moist cloth and some soft soap. Do not use cleaning agents or solvents; these could attack the plastic parts of the equipment. Ensure that no water can seep into the device.

#### 10.2 Carbon brushes

In case of excessive sparking or if the status indicator for carbon brush wear (12) lights up, have the carbon brushes checked by a qualified electrician.

#### 10.3 Maintenance

There are no parts inside the equipment which require additional maintenance.

#### 10.4 Ordering replacement parts:

Please quote the following data when ordering replacement parts:

- Type of machine
- Article number of the machine
- Identification number of the machine

For our latest prices and information please go to [www.isc-gmbh.info](http://www.isc-gmbh.info)

## 11. Disposal and recycling

The unit is supplied in packaging to prevent its being damaged in transit. This packaging is raw material and can therefore be reused or can be returned to the raw material system. The unit and its accessories are made of various types of material, such as metal and plastic. Defective components must be disposed of as special waste. Ask your dealer or your local council.



For EU countries only

Never place any electric tools in your household refuse.

To comply with European Directive 2002/96/EC concerning old electric and electronic equipment and its implementation in national laws, old electric tools have to be separated from other waste and disposed of in an environment-friendly fashion, e.g. by taking to a recycling depot.

Recycling alternative to the demand to return electrical devices:

As an alternative to returning the electrical device, the owner is obliged to cooperate in ensuring that the device is properly recycled if ownership is relinquished. This can also be done by handing over the used device to a returns center, which will dispose of it in accordance with national commercial and industrial waste management legislation. This does not apply to the accessories and auxiliary equipment without any electrical components which are included with the used device.

GB/  
CY

## 12. Declaration of conformity

Einhell Germany AG · Wiesenweg 22 · D-94405 Landau/Isar



## Konformitätserklärung

- (C)** erklärt folgende Konformität gemäß EU-Richtlinie und Normen für Artikel
- (EN)** explains the following conformity according to EU directives and norms for the following product
- (F)** déclare la conformité suivante selon la directive CE et les normes concernant l'article
- (I)** dichiara la seguente conformità secondo la direttiva UE e le norme per l'articolo
- (NL)** verklaart de volgende overeenstemming conform EU richtlijn en normen voor het product
- (E)** declara la siguiente conformidad a tenor de la directiva y normas de la UE para el artículo
- (P)** declara a seguinte conformidade, de acordo com a directiva CE e normas para o artigo
- (DK)** atterer følgende overensstemmelse i medfør af EU-direktiv samt standarder for artikel
- (S)** förklarar följande överensstämmelse enl. EU-direktiv och standarder för artikeln
- (FIN)** vakuuttaa, että tuote täyttää EU-direktiivin ja standardien vaatimukset
- (EL)** төэндab тооте vastavust EL директивиле ja standarditele
- (CZ)** vydává následující prohlášení o shodě podle směrnice EU a norem pro výrobek
- (SK)** potvrduje sledečo skladnosť s smernico EU in standardi za izdelek
- (HU)** vydáva nasledujúce prehlásenie o zhode podľa smernice EÚ a noriem pre výrobok
- (H)** a cikkekhez az EU-irányvonal és Normák szerint a következő konformitást jelenti ki
- (PL)** deklaruje zgodność wymienionego poniżej artykułu z następującymi normami na podstawie dyrektywy WE.
- (BG)** декларира съответното съответствие съгласно Директива на ЕС и норми за артикул
- (LV)** paskaidro šādu atbilstību ES direktīvai un standartiem
- (LT)** apibūdina šį atitikimą EU reikalavimams ir prekės normoms
- (RO)** declară următoarea conformitate conform directivei UE și normelor pentru articolul
- (GR)** δηλώνει την ακόλουθη συμμόρφωση σύμφωνα με την Οδηγία ΕΚ και τα πρότυπα για το προϊόν
- (HR)** potvrđuje sljedeću usklađenost prema smjernicama EU i normama za artikl  
Izjava o sukladnosti za ovaj proizvod dostupna je na internet stranici [www.lidl.hr](http://www.lidl.hr).
- (SI)** potrjuje sljedeću usklađenost prema smjernicama EU i normama za artikl
- (HU)** potvrdjuje sledeću usklađenost prema smernicama EZ i normama za artikál
- (SL)** sledujočim udostoverja, da sledujoče produkte sootvetstujot direktivam in normam EC
- (UA)** проголошує про зазначену нижче відповідність виробу директивам та стандартам ЄС на виріб
- (LT)** Ūrūnū ile ilgli AB direktifleri ve normlari geređince aŗađida ađıklanan uygunluđu belirtir
- (CY)** erklærer følgende samsvar i henhold til EU-direktivet og standarder for artikkel
- (IS)** Lýsir uppfyllingu EU-reglna og annarra staðla vöru

## Bohrhammer PBH 1100 A1 (Parkside)

- 87/404/EC\_2009/105/EC
- 2005/32/EC\_2009/125/EC
- 2006/95/EC
- 2006/28/EC
- 2004/108/EC
- 2004/22/EC
- 1999/5/EC
- 97/23/EC
- 90/396/EC\_2009/142/EC
- 89/686/EC\_96/58/EC
- 2006/42/EC
- Annex IV  
Notified Body:  
Notified Body No.:  
Reg. No.:
- 2000/14/EC\_2005/88/EC
- Annex V
- Annex VI  
Noise: measured  $L_{WA}$  = dB (A); guaranteed  $L_{WA}$  = dB (A)  
P = KW; L/Ø = cm  
Notified Body:
- 2004/26/EC  
Emission No.:

Standard references: EN 60745-1; EN 60745-2-6; EN 55014-1;  
EN 55014-2; EN 61000-3-2; EN 61000-3-3

Landau/Isar, den 07.09.2010

  
Weichselgartner/General Manager


  
Unger/Product-Management
First CE: 08  
Art.-No.: 42.583.72 I.-No.: 11010  
Subject to change without noticeArchive-File/Record: 4258395-42-4155050-08  
Documents registrar: Georg Riedel  
Wiesenweg 22, D-94405 Landau/Isar

# 13. GUARANTEE CERTIFICATE

## Dear Customer,

All of our products undergo strict quality checks to ensure that they reach you in perfect condition. In the unlikely event that your device develops a fault, please contact our service department at the address shown on this guarantee card. Of course, if you would prefer to call us then we are also happy to offer our assistance under the service number printed below. Please note the following terms under which guarantee claims can be made:

1. These guarantee terms cover additional guarantee rights and do not affect your statutory warranty rights. We do not charge you for this guarantee.
2. Our guarantee only covers problems caused by material or manufacturing defects, and it is restricted to the rectification of these defects or replacement of the device. Please note that our devices have not been designed for use in commercial, trade or industrial applications. Consequently, the guarantee is invalidated if the equipment is used in commercial, trade or industrial applications or for other equivalent activities. The following are also excluded from our guarantee: compensation for transport damage, damage caused by failure to comply with the installation/assembly instructions or damage caused by unprofessional installation, failure to comply with the operating instructions (e.g. connection to the wrong mains voltage or current type), misuse or inappropriate use (such as overloading of the device or use of non-approved tools or accessories), failure to comply with the maintenance and safety regulations, ingress of foreign bodies into the device (e.g. sand, stones or dust), effects of force or external influences (e.g. damage caused by the device being dropped) and normal wear resulting from proper operation of the device. This applies in particular to rechargeable batteries for which we nevertheless issue a guarantee period of 12 months.  
  
The guarantee is rendered null and void if any attempt is made to tamper with the device.
3. The guarantee is valid for a period of 3 years starting from the purchase date of the device. Guarantee claims should be submitted before the end of the guarantee period within two weeks of the defect being noticed. No guarantee claims will be accepted after the end of the guarantee period. The original guarantee period remains applicable to the device even if repairs are carried out or parts are replaced. In such cases, the work performed or parts fitted will not result in an extension of the guarantee period, and no new guarantee will become active for the work performed or parts fitted. This also applies when an on-site service is used.
4. In order to assert your guarantee claim, please send your defective device postage-free to the address shown below. Please enclose either the original or a copy of your sales receipt or another dated proof of purchase. Please keep your sales receipt in a safe place, as it is your proof of purchase. It would help us if you could describe the nature of the problem in as much detail as possible. If the defect is covered by our guarantee then your device will either be repaired immediately and returned to you, or we will send you a new device.

Of course, we are also happy offer a chargeable repair service for any defects which are not covered by the scope of this guarantee or for units which are no longer covered. To take advantage of this service, please send the device to our service address.

**EINHELL Hellas A. E.**  
Lasithiou Str. 4  
14342 Nea Philadelphia  
Tel. 0210 2776871 · Fax 0210 2776871

**HR****Sadržaj****Stranica**

1. Uvod .....	20
2. Sigurnosne napomene .....	20-22
3. Opis uređaja .....	22
4. Sadržaj isporuke .....	22
5. Namjenska uporaba .....	23
6. Tehnički podaci .....	23
7. Prije puštanja u pogon .....	24-25
8. Puštanje u pogon .....	25-26
9. Zamjena mrežnog priključka .....	26
10. Čišćenje, održavanje i naručivanje rezervnih dijelova .....	27
11. Zbrinjavanje i recikliranje .....	27
12. Izjava o usklađenosti .....	28
13. Jamstveni list .....	29

Naknadno tiskanje ili slična umnožavanja dokumentacije i pratećih papira ovih proizvoda, čak i djelomično kopiranje, moguće je samo uz izričito dopuštenje tvrtke ISC GmbH.

Zadržavamo pravo na tehničke izmjene.

## Dodatne sigurnosne napomene



„Upozorenje – pročitajte upute za uporabu kako bi se smanjio rizik ozljeđivanja“



### Nosite zaštitu za sluh.

Djelovanje buke može uzrokovati gubitak sluha.



### Nosite masku za zaštitu od prašine.

Kod obrade drva i drugih materijala može nastati po zdravlje opasna prašina. Ne smije se obradivati materijal koji sadrži azbest!



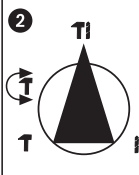
### Nosite zaštitne naočale.

Iskre koje nastaju tijekom rada ili iverje, strugotine i prašina koja izlazi iz uređaja mogu uzrokovati gubitak vida.

1



2



Da biste izbjegli oštećenje uređaja, promjenu pojedinih funkcija treba obavljati samo tijekom mirovanja.

## 1. Uvod

### ⚠ Pažnja!

Da bi se spriječila ozljedivanja i nastanak šteta prilikom korištenja uređaja, treba se pridržavati sigurnosnih mjera opreza. Zbog toga pažljivo pročitajte ove upute za uporabu. Dobro ih sačuvajte tako da Vam informacije u svako doba budu na raspolaganju. U slučaju da uređaj trebate predati drugoj osobi, uručite joj s njime i ove upute za uporabu. Ne preuzimamo jamstvo za nesreće ili štete nastale zbog nepridržavanja ovih uputa i njihovih sigurnosnih napomena.

## 2. Sigurnosne napomene

### ⚠ UPOZORENJE!

**Pročitajte sve sigurnosne napomene i upute.**

Propusti kod pridržavanja sigurnosnih napomena i uputa mogu uzrokovati el. udar, požar i/ili teška ozljeđivanja.

**Sačuvajte sve sigurnosne napomene i upute za buduće korištenje.**

Pojam „elektroalat“, korišten u sigurnosnim napomenama, odnosi se na elektroalate koji rade na strujni pogon (s mrežnim kabelom) i akumulatorski pogon (bez mrežnog kabela).

### 1. Sigurnost radnog mjesta

- **Svoje radno područje držite čistim i radite pod dobrom rasvjetom.** Nered ili neosvijetljeno radno područje mogu uzrokovati nezgode pri radu.
- **Ne radite s uređajem u okolini gdje postoji opasnost od eksplozije i gdje se nalaze zapaljive tekućine, plinovi ili prašina.** Elektroalati stvaraju iskre koje mogu zapaliti prašinu ili pare.
- **Djecu i druge osobe držite tijekom rada podalje od elektroalata.** Prilikom skretanja možete izgubiti kontrolu nad uređajem.

## 2. ELEKTRIČNA SIGURNOST

- **Prikjučni utikač uređaja mora odgovarati utičnici. Utikač ne smijete ni na koji način mijenjati. Ne koristite adaptorski utikač zajedno s uređajima koji imaju zaštitno uzemljenje.** Originalni utikač i odgovarajuće utičnice smanjuju rizik od električnog udara.
- **Izbjegavajte kontakt tijela s uzemljenim površinama kao što su cijevi, grijanja, štednjaci i hladnjaci.** Ako Vaše tijelo ima kontakt s uzemljenjem, postoji povećan rizik zbog električnog udara.
- **Ne ostavljajte uređaj na kiši ili na vlazi.** Prodiranje vode u elektrouredjaj povećava rizik od električnog udara.
- **Ne koristite kabel u svrhe za koje nije namijenjen da biste npr. nosili uređaj, objesili ga ili povukli utikač iz utičnice. Kabel držite podalje od vrućine, ulja, oštih rubova i pokretljivih dijelova uređaja.** Oštećeni ili zapleteni kabeli povećavaju rizik od električnog udara.
- **Radite li s elektroatom na otvorenom, koristite samo takve produžne kabele koji su dopušteni za rad na otvorenom.** Korištenje produžnog kabela prikladnog za vanjsko područje smanjuje rizik o električnog udara.
- **Ako se ne može izbjeći rad elektroalata u vlažnoj okolini, upotrijebite zaštitnu strujnu sklopku.** Korištenje zaštitne strujne sklopke smanjuje rizik od električnog udara.

## 3. ZAŠTITA OSOBA

- **Budite pažljivi, pripazite što radite i rukovanju s elektroatom pristupajte razumno. Ne koristite uređaj ako ste umorni ili pod utjecajem droge, alkohola ili lijekova.** Trenutak nepažnje može prilikom uporabe elektroalata uzrokovati ozbiljna ozljeđivanja.
- **Uvijek nosite osobnu zaštitnu opremu i zaštitne naočale.** Osobna zaštitna oprema kao što je maska protiv prašine, čvrsta zaštitna obuća,



zaštitni šljem ili zaštita sluha, ovisno o vrsti i korištenju elektroalata, smanjuje rizik od ozljeda.

- **Izbjegavajte nekontrolirano puštanje u rad. Prije nego ćete elektroalat priključiti na napajanje strujom i/ili baterijom, prije nego ćete ga skinuti ili nositi, provjerite je li isključen.**

Ako prilikom nošenja uređaja držite prst na sklopci ili uključeni uređaj priključite na napon, može doći do nezgode.

- **Prije nego uključite uređaj uklonite alate za podešavanje i ključeve.**  
Alat ili ključ koji se nalazi na rotacijskom dijelu uređaja može uzrokovati ozljeđivanje.
- **Izbjegavajte nenormalne položaje tijela. Pobrnite se za stabilan položaj i u svakom trenutku držite ravnotežu.**  
Na taj način bolje ćete kontrolirati uređaj u neočekivanim situacijama.
- **Nosite prikladnu odjeću. Ne nosite široku odjeću ili nakit. Kosu, odjeću i rukavice držite podalje od pokretnih dijelova.**  
Pokretni dijelovi mogu zahvatiti široku odjeću, nakit ili dugu kosu.
- **Ako se mogu montirati naprave za usisavanje i sabiranje prašine, provjerite jesu li one dobro priključene i koristite ih na ispravan način.**  
Usisavanjem prašine možete smanjiti opasnosti koje nastaju zbog stvaranja prašine.

#### 4. Korištenje i rukovanje elektroalatom

- **Ne preopterećujte elektroalate. Za rad koristite odgovarajući elektroalat.**  
S odgovarajućim elektroalatom radit ćete bolje i sigurnije u navedenom području snage.
- **Ne koristite elektroalat koji ima neispravnu sklopku.**  
Elektroalat koji se više ne može uključiti ili isključiti opasan je i mora se popraviti.
- **Prije nego ćete provesti podešavanja na uređaju, zamjenu dijelova pribora ili odložiti uređaj, izvucite utikač iz utičnice i/ili uklonite akumulator.**  
Takve mjere opreza smanjuju

nekontrolirano pokretanje uređaja.

- **Elektroalate koji se ne koriste čuvajte van dohvata djece. Osobe koje nisu upoznate s ovim uputama ili ih nisu pročitale, ne smiju koristiti uređaj.**  
Elektroalati su opasni ako ih koriste neiskusne osobe.
- **Pažljivo njegujte uređaj. Kontrolirajte funkcioniraju li pokretni dijelovi besprijekorno i ne zapinju li, jesu li dijelovi slomljeni ili oštećeni tako da bi mogli ugroziti funkcioniranje uređaja. Prije nego upotrijebite uređaj, oštećene dijelove predajte na popravak.**  
Uzrok mnogih nezgoda je loše održavanje elektroalata.
- **Alati za rezanje moraju biti oštri i čisti.**  
Pažljivo njegovani alati za rezanje s nabrušenim oštricama rijetko zapinju i lakše ih je voditi.
- **Elektroalat, pribor i nastavke alata itd. koristite u skladu s ovim uputama. Pri tome uzmite u obzir radne uvjete i radnju koju izvršavate.**  
Nenamjenska uporaba elektroalata može dovesti do opasnih situacija.

#### 5. SERVIS

- **Uređaj treba popravljati samo kvalificirano osoblje i samo uz uporabu originalnih rezervnih dijelova.**  
Na taj način se održava sigurnost uređaja.

#### Sigurnosne napomene za čekić

- **Nosite zaštitu za sluh.** Utjecaj buke može izazvati gubitak sluha.
- **Koristite dodatne ručke koje su isporučene s uređajem.** Gubitak kontrole može uzrokovati ozljeđivanja.
- **Kad izvodite radove kod kojih bi korišteni alat mogao dodirnuti skrivene strujne vodove ili vlastiti mrežni kabel, držite uređaj samo za izolirane površine ručki.** Kontakt sa strujnim kabelom stavlja metalne dijelove uređaja pod napon, što dovodi do udara električne struje.

**Dodatne sigurnosne upute:**

- Provjerite napon (Volt) naveden na označnoj pločici.
- Ako koristite kabelski bubanj, cijeli kabel se mora odmotati od bubnja. Presjek žice najmanje 1,5 mm<sup>2</sup>.
- Pazite da sigurno stojite na ljestvama ili skelama kada bušilicu držite obema rukama.
- U zidovima gdje ima skrivenih električnih vodova, vodovoda ili plinovoda, prvo lokalizirajte vodove pomoću uređaja za detekciju vodova. Izbjegavajte dodir s dijelovima ili vodovima pod naponom.
- Radi zaštite sluha nosite zaštitnik za uši: inače prijeti postepeni gubitak sluha!
- Nosite zaštitne naočale, te masku za disanje pri radovima kod kojih se stvara prašina.
- Ne koristite bušilicu u blizini isparivanja i zapaljivih tekućina.
- Prilikom svih radova preuredjivanja i čišćenja izvadite utikač iz utičnice.
- Čuvajte kabel od oštećenja. Ulje i kiselina mogu oštetiti kabel.
- Nemojte preopteretiti stroj.
- Važno!  
Moraju se poštivati svi domaći sigurnosni propisi glede instalacije, rada i održavanja.
- Dlijeta i svrdla se pogreškom mogu izbacivati iz alata i prouzročiti teške ozljede:
  - Prije početka rada uvijek provjerite da li je dlijeto ili svrdlo aretirano u prihvat alata.
  - Redovno kontrolirajte da li je prihvat alata istrošen ili oštećen.
- Udarajući alat uključite samo kada je pritisnut na izradak (zid, strop itd.)
- Nakon završenog posla izvadite utikač iz utičnice, te dlijeto ili svrdlo iz bušilice.
- Prije zamjenjivanja dlijeta ili svrdla uvijek izvadite utikač iz utičnice.
- Čuvajte oči i suradnike od letećih čestica i disperzije stranih tijela. Nosite zaštitnu kacigu! Postavite pregrade!
- Zaštitne rukavice štite od ogrebotina.
- Vibracije mogu biti štetne za ruke: vrijeme djelovanja vibracija mora biti što kraće.
- Priključni kabel uvijek položite na stražnjoj strani stroja.

- Čuvajte uređaj tako da je nedostupan za djecu.
- Za vrijeme rada, uređaj uvijek držite obema rukama i pazite da sigurno stojite.
- Prije puštanja uređaja u rad obratite pažnju na to da sklopka na uređaju bude u položaju pravilnom za namjeravanu obradu, jer u suprotnom nam prijeti opasnost od povreda kod pokretanja stroja.

**Dobro čuvajte ove sigurnosne upute.****3. Opis uređaja (slika 1)**

1. Zaštita od prašine
2. Čahura za blokadu
3. Dodatna ručka
4. Vijak za učvršćivanje graničnika dubine.
5. Preklopnik bušenje/udarno bušenje/klesanje
6. Ručka
7. Preklopnik za desni/lijevi smjer vrtnje
8. Gumb za fiksiranje
9. Regulator broja okretaja
10. Sklopka za uključivanje/isključivanje
11. Pokazivač pogona
12. Indikator istrošenosti ugljenih četkica
13. Graničnik dubine
14. Dodatni zaglavnik za brzo pritezanje svrdla
15. Naprava za sakupljanje prašine

**4. Sadržaj isporuke**

Izvadite sve dijelove iz pakiranja i provjerite cjelovitost sadržaja.

- Čekić za bušenje PBH 1100 A1
- Dodatna ručka
- Graničnik dubine
- Svrdlo za kamen (6, 8, 10 mm)
- Šiljasto - ravno dlijeto
- Dodatni zaglavnik za brzo pritezanje svrdla
- Naprava za sakupljanje prašine
- Upute za uporabu


## 5. Namjenska uporaba

Uređaj je namijenjen za udarno bušenje u betonu, kamenu, cigli i za klesarske radove uz korištenje odgovarajućeg svrdla ili dljeteta.

Stroj se smije koristiti samo u skladu s namjenom. Svaka drukčija uporaba izvan ovih okvira nije namjenska. Za štete ili ozljeđivanja bilo koje vrste koje bi iz toga proizašle ne odgovara proizvođač nego korisnik.

Molimo da obratite pažnju na to da naši uređaji nisu konstruirani za korištenje u komercijalne svrhe kao ni u obrtu i industriji. Ne preuzimamo jamstvo ako se uređaj koristi u obrtničkim ili industrijskim pogonima i sličnim djelatnostima.

## 6. Tehnički podaci

Mrežni napon:	230-240 V~ 50 Hz
Snaga:	1050 W
Broj okretaja u praznom hodu:	0-1100 min <sup>-1</sup>
Broj udara:	0-5100 min <sup>-1</sup>
Učin bušenja u betonu /kamenu (maks.):	Ø 26 mm
Klasa zaštite:	II / 
Težina:	3,6 kg

### Buka i vibracije

Vrijednosti buke i vibracija određene su prema normi EN 60745.

Razina zvučnog tlaka L <sub>pA</sub>	91,8 dB (A)
Nesigurnost K <sub>pA</sub>	3 dB
Intenzitet buke L <sub>WA</sub>	102,8 dB (A)
Nesigurnost K <sub>WA</sub>	3 dB

Čekić za bušenje nije namijenjen za korištenje na otvorenom prema članu 3 odredbe 2000/14/EC\_2005/88/EC.

### Nosite zaštitu za sluh.

Buka može utjecati na gubitak sluha.

Ukupne vrijednosti vibracija (vektorski zbroj triju pravaca) određene su prema normi EN 60745.

### Udarno bušenje u betonu

Vrijednost emisije vibracija a<sub>h</sub> = 15,81 m/s<sup>2</sup>

Nesigurnost K = 1,5 m/s<sup>2</sup>

### Klesanje

Vrijednost emisije vibracija a<sub>h</sub> = 15,668 m/s<sup>2</sup>

Nesigurnost K = 1,5 m/s<sup>2</sup>

### Upozorenje!

Navedena vrijednost emisije vibracija izmjerena je prema normiranom postupku ispitivanja i može se, ovisno o načinu korištenja elektroalata, promijeniti a u izuzetnim slučajevima može biti i veća od navedene vrijednosti.

Navedena vrijednost emisije vibracija može se koristiti u svrhu usporedbe elektroalata jedne tvrtke s elektroalatom neke druge tvrtke.

Navedena vrijednost emisije vibracija može se također koristiti za početnu procjenu ugrožavanja zdravlja.

### Ograničite stvaranje buke i vibracija na minimum!

- Koristite samo bespriekorne uređaje.
- Redovito čistite i održavajte uređaj.
- Svoj način rada prilagodite uređaju.
- Nemojte preopterećivati uređaj.
- Po potrebi predajte uređaj na kontrolu.
- Isključite uređaj kad ga ne koristite.
- Nosite zaštitne rukavice.

## 7. Prije puštanja u pogon

### ⚠ Pozor!

Prije uključivanja provjerite odgovaraju li podaci na tipskoj pločici podacima o mreži.

Prije nego počnete podešavati uređaj izvucite utikač iz utičnice.

Uređajem za traženje vodova ispitajte ima li na mjestu bušenja skrivenih električnih vodova, plinskih i vodovodnih cijevi.

### 7.1 Dodatna ručka (sl. 2 - poz. 3)

**Čekić za bušenje mora se, zbog sigurnosnih razloga, koristiti samo s dodatnom ručkom.**

Dodatna ručka (3) služi tijekom korištenja stroja kao dodatno uporište. Zbog toga uređaj nikad nemojte koristiti bez dodatne ručke (3). Ona (3) se pričvršćuje na stroj pomoću stezaljke.

Okretanjem dodatne ručke (3) u smjeru kazaljke na satu stezaljka se steže. Okretanjem u smjeru suprotnom od kazaljke na satu stezaljka se otpušta.

- Najprije morate montirati priloženu dodatnu ručku (3). U tu svrhu okretanjem ručke (3) otvorite stezaljku toliko da se dodatna ručka (3) može povući preko stroja.
- Kad stavite dodatnu ručku (3) zakrenite je u za Vas najugodniji radni položaj.
- Sad ponovno pritegnite dodatnu ručku (3) u suprotnom smjeru tako da se učvrsti.
- Dodatna ručka (3) prikladna je za dešnjake i ljevake.

### 7.2 Graničnik dubine (sl. 3 - poz. 13)

Graničnik dubine (13) drži vijak za fiksiranje (4) na dodatnoj ručki (3).

- Otpustite vijak za fiksiranje (4) i umetnite graničnik dubine (13).
- Podesite graničnik dubine (13) na istu razinu sa svrdlom.
- Povucite graničnik dubine (13) natrag za željenu dubinu bušenja.
- Ponovno pritegnite vijak za fiksiranje (4).
- Sad bušite rupu tako da graničnik dubine (13) dodirne radni komad.
- Graničnik dubine (13) ima utore koje prilikom korištenja sprječavaju pomicanje graničnika (13).

### 7.3 Umetanje alata (sl. 4)

- Prije korištenja očistite alat i tijelo mu malo podmažite strojnim mazivom.
- Povucite čahuru za blokadu (2) natrag i držite je.
- Umetnite alat očišćen od prašine u njegov prihvatnik do kraja. Alat se učvršćuje automatski, čim pustite čahuru za učvršćivanje.
- Povlačenjem provjerite učvršćenost alata.

### 7.4 Skidanje alata (sl. 5)

Povucite čahuru za blokadu (2) natrag, držite je i izvadite alat.

### 7.5 Naprava za usisavanje prašine (sl. 8)

Prije rada s čekićem za bušenje okomito iznad glave navucite napravu za usisavanje prašine (15) preko svrdla.

### 7.6 Umetanje dodatnog zaglavnika za brzo pritezanje svrdla (sl. 4)

- Prije umetanja očistite zaglavnik za brzo pritezanje svrdla (14) i tijelo mu malo podmažite mazivom.
- Povucite čahuru za blokadu (2) natrag i držite je.
- Okretanjem umetnite od prašine očišćen zaglavnik za brzo pritezanje svrdla (14) u njegov prihvatnik do kraja. Zaglavnik (14) se učvršćuje automatski, čim pustite čahuru za učvršćivanje.
- Povlačenjem provjerite učvršćenost zaglavnika (14).

### 7.7 Skidanje dodatnog zaglavnika za brzo pritezanje svrdla (sl. 5)

Povucite čahuru za blokadu (2) natrag, držite je i izvadite nazubljeni zaglavnik za brzo pritezanje svrdla.

### 7.8 Umetanje svrdla u zaglavnik za brzo pritezanje svrdla (slika 6-7)

#### ⚠ Pozor!

- Prije nego počnete podešavati uređaj, uvijek izvucite mrežni utikač.
- Otpustite graničnik dubine (13) kao što je opisano u 7.2 i pomaknite ga u smjeru ručke. Na taj način imat ćete slobodan pristup zaglavniku svrdla (14).
- Odvrnite zaglavnik za svrdlo (14). Otvor za svrdlo mora biti dovoljno velik da prihvati svrdlo.
- Odaberite prikladno svrdlo. Gurnite alat što dublje u otvor zaglavnika.
- Zavrnite zaglavnik za svrdlo (14). Provjerite je li svrdlo čvrsto fiksirano u zaglavniku (14).
- U pravilnim razmacima provjeravajte fiksiranost svrdla odn. alata (izvucite mrežni utikač!).

## 8. Puštanje u pogon

#### ⚠ Pozor!

**Da bi se izbjegla opasnost, stroj smijete držati samo za obje ručke (3/6)!** U suprotnom prilikom bušenja u vodove može doći do električnog udara!

#### 8.1 Indikator pogona (sl. 1/poz. 11)

Kad je mrežni utikač utaknut, svijetli indikator pogona (11).

#### 8.2 Sklopka za uključivanje/isključivanje (slika 9/poz. 10)

- Najprije umetnite prikladno svrdlo u alat (vidi 7.3).
- Utaknite mrežni utikač u prikladnu utičnicu.
- Postavite bušilicu direktno na mjesto bušenja.

#### Uključivanje:

Pritisnite sklopku za uključivanje/isključivanje (10).

#### Uključivanje trajnog pogona:

Pustite sklopku za uključivanje/isključivanje (10).

#### Isključivanje trajnog pogona:

Osigurajte sklopku za uključivanje/isključivanje (10) gumbom za fiksiranje (8).

Pozor! Aretacija je moguća samo u desnom smjeru vrtnje.

#### Isključivanje:

Nakratko pritisnite sklopku za uključivanje/isključivanje (10).

### 8.3 Podešavanje broja okretaja (slika 9/poz. 10)

- Za vrijeme pogona možete kontinuirano mijenjati broj okretaja.
- Broj okretaja mijenjate slabijim ili jačim pritiskom na sklopku za uključivanje/isključivanje (10).
- Odabir pravilnog broja okretaja: Najprikladniji broj okretaja ovisi o radnom komadu, vrsti pogona i o korištenom svrdlu.
- Manji pritisak na sklopku za uključivanje/isključivanje (10): manji broj okretaja
- Veći pritisak na sklopku za uključivanje/isključivanje (10): veći broj okretaja

**Savjet:** Rupe počnite bušiti s manjim brojem okretaja. Zatim postupno povećavajte broj okretaja.

#### Prednosti:

- Na početku bušenja svrdlo ćete lakše kontrolirati i ono neće skliznuti.
- Izbjeći ćete deformiranje rupa (npr. kod keramičkih pločica).

### 8.4 Biranje broja okretaja (slika 9/poz. 9)

- Ovo nemojte podešavati za vrijeme bušenja.
- Regulator broja okretaja (9) Vam omogućava definiranje broja okretaja. Sklopka za uključivanje/isključivanje (10) može se pritisnuti samo do maksimalnog broja okretaja.
- Podesite broj okretaja pomoću prstena (9) na sklopci za uključivanje/isključivanje (10).

### 8.5 Preklopnik za desni/lijevi smjer vrtnje (slika 9/poz. 7)

- **Smjerove vrtnje mijenjajte samo kad uređaj ne radi!**
- Pomoću preklopnika (7) podesite smjer vrtnje udarnog svrdla:

Smjer vrtnje	Položaj sklopke
Desni (vrtnja naprijed i bušenje)	pritisnuta lijevo
Lijevi (vrtnja unatrag)	pritisnuta desno

### 8.6 Preklopnik bušenje/udarno bušenje/klesanje (sl. 10)

**Pozor! Ako je montiran zaglavnik za brzo pritezanje svrdla (14), nije moguće koristiti funkcije udarnog bušenja/klesanja.**

- Za bušenje pritisnite tipku (E) na preklopniku (5) i istovremeno okrenite preklopnik (5) u položaj A.
- Za udarno bušenje pritisnite tipku (E) na preklopniku (5) i istovremeno okrenite preklopnik (5) u položaj B.
- Za klesanje pritisnite tipku (E) na preklopniku (5) i istovremeno okrenite preklopnik (5) u položaj C. U položaju C dlijetu nije aretirano.
- Za klesanje pritisnite tipku (E) na preklopniku (5) i istovremeno okrenite preklopnik (5) u položaj D. U položaju D dlijetu je aretirano.

#### Pozor!

Za udarno bušenje trebate izvršiti samo mali pritisak. Preveliki pritisak nepotrebno preopterećuje motor. Redovito provjeravajte svrdlo. Nabrusite ili zamijenite tupo svrdlo.

## 9. Zamjena mrežnog priključka

Ako se ošteti mrežni priključni vod ovog uređaja, zamijeniti ga mora proizvođač ili njegova servisna služba ili slična kvalificirana osoba, kako bi se izbjegle opasnosti.



## 10. Čišćenje, održavanje i narudžba rezervnih dijelova

### ⚠ Pozor!

Prije svih radova čišćenja izvucite mrežni utikač.

### 10.1 Čišćenje

- Zaštitne naprave, otvore za zrak i kućište motora držite što čišćima od prašine i prljavštine. Istrljajte uredjaj čistom krpom ili ga ispušite komprimiranim zrakom pod niskim tlakom.
- Preporučujemo da uredjaj očistite nakon svake uporabe.
- Redovito čistite uredjaj vlažnom krpom i s malo sapunice. Ne koristite sredstva za čišćenje ni otapala; ona mogu oštetiti plastične dijelove uredjaja. Pripazite na to da u unutrašnjost uredjaja ne dospije voda.

### 10.2 Ugljene četkice

U slučaju prekomjernog iskrenja ili ako je reagirao signal za istrošenost četkica (12), predajte stroj električaru da provjeri ugljene četkice.

### 10.3 Održavanje

U unutrašnjosti uredjaja nalaze se dijelovi koje treba održavati.

### 10.4 Narudžba rezervnih dijelova:

Prilikom naručivanja rezervnih dijelova su potrebni slijedeći podaci:

- Tip uredjaja
- Broj artikla uredjaja
- Ident. broj uredjaja

Aktualne cijene i informacije potražite na web-adresi [www.isc-gmbh.info](http://www.isc-gmbh.info)

## 11. Zbrinjavanje i recikliranje

Uredjaj se nalazi u pakovanju koje ga štiti od oštećenja prilikom transporta. Ovo pakovanje je sirovina i zato se može ponovno upotrijebiti ili poslati na reciklažu.

Uredjaj i njegov pribor izradjeni su od različitih materijala kao npr. metala i plastike.

Neispravne sastavne dijelove otpremite na mjesta za zbrinjavanje posebnog otpada.

Informacije potražite u specijaliziranoj trgovini ili nadležnoj općinskoj upravi.



Samo za zemlje Europske zajednice

Elektroalate ne bacajte u kućno smeće.

U skladu s europskom odredbom 2002/96/EG o starim električnim i elektroničkim uredjajima i njezinom primjenom u okviru državnog prava, istrošeni elektroalati moraju se odvojeno sakupiti i zbrinuti na ekološki način u svrhu recikliranja.

Alternativa s recikliranjem u odnosu na zahtjev za povrat uredjaja:

Vlasnik elektrouredjaja alternativno je obavezan da umjesto povrata robe u slučaju odricanja vlasništva sudjeluje u stručnom zbrinjavanju elektrouredjaja. Stari uredjaj može se u tu svrhu prepustiti i stanici za preuzimanje rabljenih uredjaja koja će provesti uklanjanje u smislu državnog zakona o recikliranju i otpadu. Zakonom nisu obuhvaćeni dijelovi pribora ugrađeni u stare uredjaje i pomoćni materijali bez električnih elemenata.

HR

## 12. Izjava o usklađenosti

Einhell Germany AG · Wiesenweg 22 · D-94405 Landau/Isar



## Konformitätserklärung

- erklärt folgende Konformität gemäß EU-Richtlinie und Normen für Artikel  
 explains the following conformity according to EU directives and norms for the following product  
 déclare la conformité suivante selon la directive CE et les normes concernant l'article  
 dichiara la seguente conformità secondo la direttiva UE e le norme per l'articolo  
 verklaart de volgende overeenstemming conform EU richtlijn en normen voor het product  
 declara la siguiente conformidad a tenor de la directiva y normas de la UE para el artículo  
 declara a seguinte conformidade, de acordo com a directiva CE e normas para o artigo  
 attesterer følgende overensstemmelse i medfør af EU-direktiv samt standarder for artikel  
 förklarar följande överensstämmelse enl. EU-direktiv och standarder för artikeln  
 vakuuttaa, että tuote täyttää EU-direktiivin ja standardien vaatimukset  
 tõendab toote vastavust EL direktiivile ja standarditele  
 vydává následující prohlášení o shodě podle směrnice EU a norem pro výrobek  
 potrjuje sledeću skladnost s smernico EU in standardi za izdelek  
 vydáva nasledujúce prehlásenie o zhode podľa smernice EÚ a noriem pre výrobok  
 a cikkekhez az EU-irányvonal és Normák szerint a következő konformitást jelenti ki  
 deklaruje zgodność wymienionego poniżej artykułu z następującymi normami na podstawie dyrektywy WE.  
 декларира съответното съответствие съгласно Директива на ЕС и норми за артикул  
 paskaidro šādu atbilstību ES direktīvai un standartiem  
 apibūdina šj atitiktīgu EU reikalavimams ir prekės normoms  
 declară următoarea conformitate conform directivei UE și normelor pentru articolul  
 δηλώνει την ακόλουθη συμμόρφωση σύμφωνα με την Οδηγία ΕΚ και τα πρότυπα για το προϊόν  
 potvrđuje sljedeću usklađenost prema smjernicama EU i normama za artikl  
 Izjava o sukladnosti za ovaj proizvod dostupna je na internet stranici www.lidl.hr.  
 potvrđuje sljedeću usklađenost prema smjernicama EU i normama za artikl  
 potvrđuje sledeću usklađenost prema smernicama EZ i normama za artikal  
 следующим удостоверяется, что следующие продукты соответствуют директивам и нормам ЕС  
 проголошує про зазначену нижче відповідність виробу директивам та стандартам ЄС на виріб  
 Ürünü ile ilgili AB direktifleri ve normları gereğince aşağıda açıklanan uygunluğu belirtir  
 erklærer følgende samsvar i henhold til EU-direktivet og standarder for artikkel  
 Lýsir uppfyllingu EU-reglna og annarra staða vöru

## Bohrhammer PBH 1100 A1 (Parkside)

- 87/404/EC\_2009/105/EC  
 2005/32/EC\_2009/125/EC  
 2006/95/EC  
 2006/28/EC  
 2004/108/EC  
 2004/22/EC  
 1999/5/EC  
 97/23/EC  
 90/396/EC\_2009/142/EC  
 89/686/EC\_96/58/EC  
 2006/42/EC  
 Annex IV  
 Notified Body:  
 Notified Body No.:  
 Reg. No.:  
 2000/14/EC\_2005/88/EC  
 Annex V  
 Annex VI  
 Noise: measured  $L_{WA}$  = dB (A); guaranteed  $L_{WA}$  = dB (A)  
 P = KW; L/Ø = cm  
 Notified Body:  
 2004/26/EC  
 Emission No.:

Standard references: EN 60745-1; EN 60745-2-6; EN 55014-1;  
EN 55014-2; EN 61000-3-2; EN 61000-3-3

Landau/Isar, den 07.09.2010

Weichselgartner/General Manager

Unger/Product-Management

First CE: 08  
Art.-No.: 42.583.72 I.-No.: 11010  
Subject to change without notice

Archive-File/Record: 4258395-42-4155050-08  
Documents registrar: Georg Riedel  
Wiesenweg 22, D-94405 Landau/Isar

# 13. JAMSTVENI LIST

## Poštovani kupče,

naši proizvodi podliježu strogoj kontroli kvalitete. Žao nam je ako bi ipak došlo do toga da uređaj ne funkcionira besprijekorno i zamolili bismo Vas da se u tom slučaju obratite na adresu naše servisne službe navedenu ispod ovog jamstva. Također smo Vam na raspolaganju na dolje navedenom telefonskom broju servisne službe. Za traženje jamstvenog zahtjeva vrijedi sljedeće:

1. Ovi jamstveni uvjeti reguliraju dodatne jamstvene usluge. Ovo jamstvo ne zadire u Vaše zakonsko pravo zahtjeva za ostvarenje jamstvenih usluga. Realizacija jamstvenih usluga je besplatna.
  2. Jamstvena usluga obuhvaća isključivo nedostatke nastale zbog greške na materijalu ili tijekom proizvodnje i ograničen je na uklanjanje tih nedostataka odnosno zamjenu uređaja. Molimo da obratite pažnju na to da naši uređaji nisu konstruirani za korištenje u komercijalne svrhe niti u obrtu i industriji. Prema tome, ugovor o jamstvu ne može se ostvariti ako se uređaj koristi u obrtničkim ili industrijskim pogonima kao i u sličnim djelatnostima. Nadalje su iz jamstva isključene usluge zamjene proizvoda u slučaju transportnih oštećenja, šteta zbog nepridržavanja uputa za montažu ili zbog nestručne instalacije, nepridržavanja uputa za uporabu (kao npr. zbog priključka na pogrešni mrežni napon ili vrstu struje), zbog zlorabe ili nestručnih primjena (kao npr. preopterećenje uređaja ili korištenje nedopuštenih alata ili pribora), u slučaju nepridržavanja uputa za održavanje i sigurnosnih odredbi, zbog prodiranja stranih tijela u uređaj (npr. pijeska, kamenja ili prašine), nasilne primjene ili vanjskih utjecaja (kao npr. oštećenja zbog pada) kao i zbog uobičajenog trošenja tijekom korištenja. To naročito vrijedi za baterije za koje ipak dajemo jamstvo od 12 mjeseci.
- Zahtjev za jamstvo prestaje biti valjan ako su na uređaju već izvršeni neki zahvati.
3. Jamstveni rok iznosi 3 godine a započinje s datumom kupnje uređaja. Jamstveni zahtjevi ostvaruju se prije isteka jamstvenog roka unutar dvije godine nakon što ste uočili kvar. Ostvarenje jamstvenog zahtjeva nakon isteka jamstvenog roka je isključeno. Popravkom ili zamjenom uređaja ne produljuje se jamstveni rok niti se tom uslugom ostvaruju novi jamstveni rok za uređaj ili ostale ugrađene rezervne dijelove. To također vrijedi i kod korištenja servisa na licu mjesta.
  4. Da biste ostvarili svoj jamstveni zahtjev, molimo Vas da nam pošaljete neispravan uređaj bez plaćanja poštarine na dolje navedenu adresu. Priložite originalni račun za kupnju uređaja ili neki drugi dokaz o kupnji s datumom. Molimo Vas da zbog tog razloga dobro sačuvate račun kao dokaz! Što točnije opišite razlog reklamacije. Ako naša jamstvena usluga obuhvaća kvar nastao na Vašem uređaju, odmah ćemo Vam vratiti popravljenu ili novi uređaj.

Razumljivo je da ćemo za naknadu troškova ukloniti i kvarove koje jamstvena usluga ne obuhvaća. U tom slučaju pošaljite uređaj na adresu našeg servisa.

**Einhell Croatia d.o.o.**

Velika Ves 2

HR-49224 Lepajci

Tel. 049 342 444 · Fax 049 342 392

**RO**

## Cuprins

## Pagina

1. Introducere .....	32
2. Indicații de siguranță .....	32-34
3. Descrierea aparatului .....	35
4. Cuprinsul livrării .....	35
5. Utilizarea conform scopului .....	35
6. Date tehnice .....	35-36
7. Înaintea punerii în funcțiune .....	36-37
8. Punerea în funcțiune .....	38-39
9. Schimbarea cablului de racord la rețea .....	39
10. Curățirea, întreținerea și comanda pieselor de schimb .....	39
11. Eliminare și reciclare .....	39-40
12. Declarație de conformitate .....	41
13. Certificat de garanție .....	42

Retipărirea sau orice altă multiplicare a documentației și documentelor însoțitoare ale produselor, chiar și parțial, este permisă numai cu acordul în mod expres a firmei ISC GmbH.

30

Ne rezervăm dreptul pentru modificări de ordin tehnic

## Indicații de siguranță suplimentare



“AVERTISMENT - Pentru reducerea riscurilor de accidentare citiți instrucțiunile de utilizare”



### Purtați protecție antifonică.

Expunerea la zgomot poate provoca pierderea auzului.



### Purtați mască de protecție împotriva prafului.

La prelucrarea lemnului și a altor materiale se poate produce praf dăunător sănătății. Este interzisă prelucrarea materialelor cu conținut de azbest!



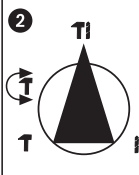
### Purtați ochelari de protecție.

Scântele produse în timpul lucrului, schijele sau așchiile ieșite din aparat și praful rezultat pot provoca pierderea vederii.

1



2



Pentru a evita deteriorarea aparatului, comutarea funcțiilor trebuie să se efectueze în stare de repaus.

RO

## 1. Introducere

### ⚠ Atenție!

La utilizarea aparatelor trebuie respectate câteva măsuri de siguranță pentru a evita leziunile și pagubele. De aceea citiți cu atenție manualul de utilizare / instrucțiunile de siguranță. Păstrați-le cu grijă, pentru a putea avea la dispoziție informațiile tot timpul. Dacă predați aparatul altor persoane, înmânați-le și manualul de utilizare / instrucțiunile de siguranță. Nu preluăm răspunderea pentru accidente sau pagube, care se produc datorită nerespectării acestor instrucțiuni și a indicațiilor de siguranță.

## 2. Indicații de siguranță

### ⚠ AVERTISMENT

**Citiți toate indicațiile de siguranță și instrucțiunile.** Nerespectarea indicațiilor de siguranță și a instrucțiunilor pot duce la electrocutare, incendiu și/sau răni grave.  
**Păstrați toate indicațiile de siguranță și instrucțiunile pentru viitor.**

Termenul de “aparat electric” utilizat în indicațiile de siguranță se referă la aparate electrice cu racord la rețeaua electrică (cu cablu de alimentare) și la aparate electrice cu acumulator (fără cablu de alimentare).

### 1. Siguranța la locul de muncă

- **Mențineți zona dumneavoastră de lucru curată și bine iluminată.** Dezordinea la locul de muncă și zonele de lucru iluminate insuficient pot provoca accidente.
- **Nu lucrați cu aparatul electric în medii cu pericol de explozie în care se găsesc lichide, gaze sau prafuri inflamabile.** Aparatele electrice produc scântei care pot aprinde vaporii sau praful.
- **Pe timpul folosirii uneltei electrice, țineți copiii sau alte persoane la distanță.** În cazul sustragerii atenției, puteți pierde controlul asupra aparatului.

### 2. Siguranța electrică

- **Ștecherul de racord al aparatului trebuie să se potrivească cu priza. Ștecherul nu are voie să fie modificat sub nici o formă. Nu folosiți ștechere adaptoare în combinație cu aparatele cu protecție de pământare.** Ștecherele nemodificate și prizele potrivite reduc riscul unei electrocutări.
- **Evitați contactul corpului dvs. cu suprafețe pământate, cum sunt țevi, sisteme de încălzire, cuptoare și frigidere.** Există un risc ridicat de electrocutare, atunci când corpul dumneavoastră este pământat.
- **Feriți aparatele electrice de ploaie sau umiditate.** Pătrunderea apei în aparatul electric mărește riscul de electrocutare.
- **Nu folosiți cablul în alte scopuri, de exemplu pentru transportarea aparatului electric, pentru a-l atârna sau pentru scoaterea ștecherului din priză. Țineți cablul la distanță de surse de căldură, ulei, de muchii ascuțite sau piese în mișcare.** Cablurile deteriorate sau înfășurate, măresc riscul de electrocutare.
- **Atunci când lucrați cu aparatul electric în aer liber, folosiți numai cabluri prelungitoare care sunt aprobate pentru utilizarea lor în exterior.** Utilizarea unui cablu prelungitor cu aprobare pentru exterior reduce riscul de electrocutare.
- **Dacă utilizarea aparatului electric în mediu umed este inevitabilă, folosiți un întrerupător de protecție împotriva curenților vagabonzi.** Utilizarea unui întrerupător de protecție împotriva curenților vagabonzi reduce riscul unei electrocutări.

### 3. Siguranța persoanelor

- **Fiți vigilenți, gândiți-vă permanent la ceea ce faceți și acordați o deosebită atenție lucrului cu uneltele electrice. Nu utilizați aparatul electric dacă sunteți obosit sau sub influența drogurilor, alcoolului sau a medicamentelor.**



Un moment de neatenție la utilizarea aparatului electric poate duce la accidentări grave.

- **Purtați echipament de protecție personal și întotdeauna ochelari de protecție.**  
Purtarea echipamentului de protecție cum ar fi de exemplu mască de praf, încălțăminte rezistentă la alunecare, cască de protecție sau protecție pentru urechi reduce riscul vătămarilor.
- **Evitați punerea accidentală în folosință. Asigurați-vă că aparatul electric este decuplat, înainte de racordarea la rețeaua electrică și/sau la acumulator, înainte de a-l ridica sau transporta.**  
Dacă pe timpul transportării aparatului electric ajungeți cu degetul pe întrerupător sau aparatul este racordat la o sursă de curent cu întrerupătorul aretat, acest lucru poate provoca accidente.
- **Scoateți și îndepărtați toate uneltele de reglare sau cheile înainte de pornirea aparatului electric.**  
O unealtă sau o cheie care se găsește într-o piesă a aparatului aflată în mișcare de rotație poate provoca vătămări grave.
- **Evitați o poziție anormală a corpului. Asigurați-vă o poziție sigură și păstrați-vă întotdeauna echilibrul.**  
În acest mod, în situații imprevizibile, puteți controla mai bine aparatul electric.
- **Purtați îmbrăcăminte corespunzătoare. Nu purtați îmbrăcăminte largă sau bijuterii. Păstrați părul, îmbrăcăminte și mânușile la distanță de componentele aflate în mișcare.**  
Îmbrăcăminte lejeră, bijuteriile sau părul lung pot fi prinse de componentele aflate în mișcare.
- **Dacă există posibilitatea de montare a unor instalații de aspirare a prafului și instalații de captare a prafului, convingeți-vă că acestea sunt racordate și utilizate în mod corect.**  
Utilizarea unei instalații de aspirare a prafului poate reduce pericolele datorate prafului.

#### 4. Utilizarea și manevrarea aparatului electric

- **Nu suprasolicitați aparatul. Folosiți întotdeauna aparatul electric prevăzut pentru lucrarea respectivă.**  
Cu aparatul electric potrivit se lucrează mai bine și mai sigur în zona de randament indicată.
- **Nu utilizați scule electrice cu întrerupătorul defect.**  
O sculă electrică al cărei întrerupător nu mai poate fi conectat sau deconectat este periculoasă și trebuie reparată.
- **Înainte oricăror reglaje, schimbarea pieselor auxiliare sau depozitarea aparatului, scoateți ștecherul din priză și/sau îndepărtați acumulatorul.**  
Această măsură de precauție împiedică pornirea accidentală a aparatului electric.
- **A nu se lăsa sculele electrice nefolosite la îndemâna copiilor. Nu permiteți ca aparatul să fie utilizat de persoane care nu au experiență cu astfel de aparat sau care nu au citit aceste instrucțiuni.**  
Sculele electrice sunt periculoase, dacă sunt utilizate de persoane neexperimentate.
- **Îngrijiți cu atenție unealta dumneavoastră. Verificați dacă piesele mobile funcționează ireproșabil și nu sunt blocate, dacă nu sunt piese rupte sau deteriorate, astfel încât funcționarea aparatului electric să fie afectată. Lăsați piesele deteriorate să fie reparate înainte de utilizarea aparatului.**  
Cauza multor accidente este întreținerea necorespunzătoare a aparatelor electrice.
- **Mențineți sculele de tăiere ascuțite și curate.**  
Uneltele de tăiat îngrijite corespunzător și cu muchii ascuțite se blochează mai rar și pot fi ghidate mai ușor.
- **Utilizați aparatul electric, accesorii, scule atașabile etc. conform acestor instrucțiuni. Țineți cont de condițiile de lucru și de operația de executat.**  
Utilizarea aparatelor electrice în alte scopuri decât cele prevăzute poate duce la situații periculoase.

RO

## 5. Service

- **Încredințați aparatul pentru reparații numai personalului calificat, care utilizează numai piese de schimb originale.**

Prin aceasta se garantează păstrarea siguranței aparatului dumneavoastră.

### Indicații de siguranță pentru ciocane

- **Purtați protecție antifonică.** Expunerea la zgomot poate provoca pierderea auzului.
- **Folosiți mânerele suplimentare livrate cu aparatul.** Pierderea controlului asupra aparatului poate duce la accidente.
- **Țineți aparatul doar de suprafețele de prindere izolate, dacă executați lucrări la care sculele atașabile pot atinge cabluri electrice ascunse sau cablul propriu al aparatului.** Contactul cu cabluri purtătoare de curent va pune sub tensiune și componentele metalice ale aparatului, ceea ce duce la electrocutare.

### Indicații de siguranță speciale pentru ciocane rotopercutoare cu dăltuire

- Verificați tensiunea de rețea indicată pe plăcuța indicatoare (Volt).
- Dacă utilizați un tambur pentru cablu, derulați cablul în totalitate. Secțiunea sârmei trebuie să fie de cel puțin 1,5 mm<sup>2</sup>.
- Mențineți întotdeauna o poziție sigură pe scări sau schele când țineți aparatul în mână în timpul găuririi.
- În pereții în care sunt trase cabluri electrice sau conducte de gaz și apă, localizați-le întâi cu ajutorul unui detector. Evitați atingerea componentelor conductoare de curent și a conductorilor.
- Purtați pentru protejerea urechilor protecție antifonică: pierderea lentă a auzului!
- Purtați ochelari de protecție și utilizați o mască de protecție contra prafului în cazul lucrărilor care generează praf.
- Nu utilizați mașina în apropierea lichidelor inflamabile și aburilor.
- Scoateți ștecherul din priză la toate lucrările de modificare și curățare.
- Feriți cablul de alimentare de deteriorări. Uleiul și acizii pot deteriora cablul.
- Nu suprasolicitați mașina.

- Important!  
Se vor respecta toate normele naționale de siguranță cu privire la instalare, utilizare și întreținere.
- Dalta sau burghiul pot fi azvârlite în mod accidental din sculă și pot provoca vătămări corporale grave:
  - Verificați înainte de fiecare utilizare, dacă dalta sau burghiul sunt blocate în port-sculă.
  - Verificați în mod regulat port-scula dacă nu prezintă uzură sau deteriorări.
- Porniți o sculă percutantă numai atunci când aceasta este împinsă către o piesă de prelucrat (perete, tavan etc.).
- După terminarea lucrului, deconectați ciocanul rotopercutor cu dăltuire de la rețea și scoateți dalta sau burghiul din sculă.
- Deconectați ciocanul rotopercutor cu dăltuire de la rețea înainte de scoaterea dăltii sau a burghiului din sculă.
- Protejați-vă ochii și colegii din jur de azvârlirea bucăților mici și corpuri străine care se desprind. Purtați cască de protecție! Montați pereți despărțitori!
- Mănuși de lucru vă protejează de zgârieturi ale pielii mâinilor.
- Vibrațiile pot fi dăunătoare sistemului mână-braț: timpul de acționare a vibrațiilor trebuie să fie cât se poate de scurt.
- Cablul de alimentare se va ține întotdeauna în spatele aparatului.
- Păstrați aparatul astfel încât să fie inaccesibil copiilor.
- Țineți aparatul în timpul lucrului întotdeauna cu ambele mâini și aveți grijă să mențineți o poziție sigură.
- Înainte de prelucrarea materialului, asigurați-vă că întrerupătorul pe aparat se află în poziția corectă pentru lucrarea pe care urmează să o executați. În caz contrar există pericolul vătămării corporale la pornirea mașinii.

**Păstrați cu grijă aceste indicații de siguranță.**

### 3. Descrierea aparatului (Fig. 1)

1. Protecție anti-praf
2. Manșon de blocare
3. Mâner suplimentar
4. Șurub de fixare pentru opritor în adâncime
5. Comutator găurire/percuție/dălțuire
6. Mâner
7. Comutator rotire stânga/dreapta
8. Buton de reglare
9. Reglor al turației
10. Întrerupător pornire/oprire
11. Indicator de funcționare
12. Afișaj pentru uzura periilor de cărbune
13. Opritor în adâncime
14. Mandrină rapidă suplimentară
15. Dispozitiv pentru aspirarea prafului

### 4. Cuprinsul livrării

Scoateți toate piesele din ambalaj și verificați dacă livrarea este completă.

- Ciocan rotopercutor cu dălțuire PBH 1100 A1
- Mâner suplimentar
- Opritor în adâncime
- Burghiu pentru piatră (6, 8, 10 mm)
- Daltă ascuțită - daltă lată
- Mandrină rapidă suplimentară
- Dispozitiv pentru aspirarea prafului
- Instrucțiuni de utilizare

### 5. Utilizarea conform scopului

Aparatul este prevăzut pentru percuție în beton, piatră și cărămidă și pentru lucrări de dălțuire prin utilizarea burghiului sau a dălții corespunzătoare.

Mașina se va utiliza numai în conformitate cu scopul pentru care a fost creată. Orice utilizare care depășește acest domeniu este considerată neconformă. Pentru eventualele daune sau accidente de orice tip rezultate ca urmare a utilizării neconforme a aparatului răspunde utilizatorul/operatorul și nu producătorul.

Vă rugăm să țineți de asemenea cont de faptul că aparatele noastre nu sunt construite pentru utilizare în scopuri meșteșugărești sau industriale. Nu ne asumăm nicio răspundere pentru eventualele probleme survenite ca urmare a utilizării aparatului în întreprinderi lucrativă, meșteșugărești sau industriale precum și în alte activități similare.

### 6. Date tehnice

Tensiunea de rețea:	230 V ~ 240 Hz
Puterea consumată	1050 W
Turație la mers în gol:	0-1100 min <sup>-1</sup>
Numărul de percuții:	0-5100 min <sup>-1</sup>
Capacitatea de găurire	
Beton/Piatră (max.):	Ø 26 mm
Clasa de protecție:	II / □
Greutatea:	3,6 kg

### Zgomotul și vibrațiile

Valorile de zgomot și vibrație au fost evaluate conform EN 60745.

Nivelul presiunii sonore $L_{pA}$	91,8 dB(A)
Nesiguranță $K_{pA}$	3 dB
Nivelul puterii sonore $L_{WA}$	102,8 dB(A)
Nesiguranță $K_{WA}$	3 dB

Conform articolului 3 al Directivei 2000/14/EC\_2005/88/EC ciocanul rotopercutor nu este prevăzut pentru utilizarea în aer liber.

#### Purtați protecție antifonică.

Expunerea la zgomot poate provoca pierderea auzului.

Valoarea vibrațiilor totale (suma vectorilor a trei direcții) a fost evaluată conform EN 60745.

**RO****Percuție în beton**Valoarea vibrațiilor emise  $a_n = 15,81 \text{ m/s}^2$ Nesiguranță  $K = 1,5 \text{ m/s}^2$ **Dăltuire**Valoarea vibrațiilor emise  $a_n = 15,668 \text{ m/s}^2$ Nesiguranță  $K = 1,5 \text{ m/s}^2$ **Avertisment!**

Valoarea vibrațiilor emise a fost măsurată conform unui proces de verificare normat și se poate modifica în funcție de modul de utilizare a sculei electrice și în cazuri excepționale poate depăși valoarea indicată.

Valoarea vibrațiilor emise poate fi utilizată pentru comparația cu vibrațiile sculelor electrice ale altor producători.

Valoarea vibrațiilor poate fi utilizată și la o estimare introductivă a afecțiunii aparatului.

**Limitați zgomotul și vibrațiile la un nivel minim.**

- Utilizați numai aparate în stare ireproșabilă.
- Întrețineți și curățați aparatul cu regularitate.
- Adaptați modul dvs. de lucru aparatului.
- Nu suprasolicitați aparatul.
- Dacă este necesar, lăsați aparatul să fie verificat.
- Decuplați aparatul, atunci când acesta nu este utilizat.
- Purtați mănuși!

**7. Înainte de punerea în funcțiune****⚠ Atenție!**

Înainte de racordarea la rețeaua electrică asigurați-vă că datele de pe plăcuța de identificare a mașinii corespund cu cele ale rețelei.

Scoateți întotdeauna ștecherul din priză înainte de a efectua reglări ale aparatului.

Verificați cu ajutorul unui detector dacă nu există cabluri electrice sau conducte de apă și gaz în locul în care urmează să lucrați.

**7.1 Mâner suplimentar (Fig. 2 - Poz. 3)  
Din motive de siguranță ciocanul rotoperctor cu dăltuire se va folosi numai cu mânerul suplimentar.**

Mânerul suplimentar (3) vă oferă stabilitate suplimentară în timpul utilizării mașinii. Din acest motiv nu folosiți mașina fără mânerul suplimentar (3). Fixarea mânerului suplimentar (3) la mașină se face cu ajutorul colierului de fixare. Prin rotirea mânerului suplimentar (3) în sens orar se strânge colierului de fixare. Prin rotirea în sens antiorar se desface fixarea mânerului.

- Mânerul suplimentar anexat (3) trebuie mai întâi montat. Pentru aceasta deschideți colierul de fixare suficient de mult prin rotirea mânerului suplimentar (3) pentru ca mânerul suplimentar (3) să poată fi împins peste mașină.
- După poziționarea mânerului suplimentar (3) potriviți-l în poziția de lucru cea mai comodă pentru Dvs..
- Rotiți acum mânerul suplimentar (3) în sensul opus, până când se blochează respectiv până este bine fixat.
- Mânerul suplimentar (3) este indicat atât pentru dreptaci cât și pentru stângaci.

**7.2 Opritor în adâncime (Fig. 3 - Poz. 13)**

Opritorul în adâncime (13) este fixat pe mânerul suplimentar (3) cu ajutorul șurubului de fixare (4).

- Desfaceți șurubul de fixare (4) și poziționați opritorul în adâncime (13).
- Aduceți opritorul adâncimii de găurire (13) la același nivel cu burghiul.
- Trageți opritorul în adâncime (13) cu exact adâncimea de găurire dorită înapoi.
- Strângeți din nou șurubul de fixare (4).
- Dați acum gaura și înaintați până când opritorul adâncimii de găurire (13) atinge piesa prelucrată.
- Opritorul în adâncime (13) este prevăzut cu blocaj, care împiedică deplasarea opritorului în adâncime (13) în timpul lucrului.

**7.3 Utilizarea sculei (Fig. 4)**

- Curățați scula înainte de utilizare și ungeți lăcașul sculei cu unsoare.
- Trageți înapoi manșonul de blocare (2) și țineți-l bine în această poziție.
- Scula curățată se introduce prin rotire până la refuz în mandrină. Scula se blochează de la sine după eliberarea manșonului de blocare.
- Trageți de sculă pentru a verifica dacă este blocată.

**7.4 Scoaterea sculei (Fig. 5)**

Trageți înapoi manșonul de blocare (2), țineți-l bine în această poziție și scoateți scula.

**7.5 Dispozitiv pentru aspirarea prafului (Fig. 8)**

Înainte a lucrărilor de percuție deasupra cap ului fixați dispozitivul pentru aspirarea prafului (15) peste burghiul.

**7.6 Montarea mandrinei rapide suplimentare (Fig. 4)**

- Curățați mandrina rapidă (14) înainte de montare și ungeți ușor adaptorul mandrinei cu unsoare pentru burghie.
- Trageți înapoi manșonul de blocare (2) și țineți-l bine în această poziție.
- Mandrina rapidă (14) curățată se introduce prin rotire până la refuz în portsculă.

Mandrina rapidă (14) se blochează de la sine după eliberarea manșonului de blocare.

- Trageți de mandrina rapidă (14) pentru a verifica dacă este blocată.

**7.7 Demontarea mandrinei rapide suplimentare (Fig. 5)**

Trageți înapoi manșonul de blocare (2), țineți-l bine în această poziție și scoateți mandrina rapidă.

**7.8 Montarea burghiului în mandrina rapidă (Fig. 6-7)****⚠️ Atenție!**

- Scoateți întotdeauna ștecherul din priză înainte de a efectua reglări ale aparatului.
- Desfaceți opritorul adâncimii de găurire (13) conform descrierii de la punctul 7.2 și împingeți-l în direcția mânerului. Aveți acum acces liber la mandrina rapidă (14).
- Deschideți prin rotire bacurile mandrinei rapide (14). Deschiderea mandrinei trebuie să fie suficient de mare pentru a putea prelua burghiul.
- Alegeți un burghiu adecvat. Împingeți scula la maxim în deschiderea mandrinei (a).
- Prin rotire închideți bacurile mandrinei rapide (14). Verificați dacă burghiul este bine fixat în mandrina rapidă (14).
- Verificați la intervale regulate de timp dacă burghiul, respectiv scula sunt bine prinse în mandrină (decuplați ștecherul de la rețea!).

## 8. Punerea în funcțiune

### ⚠ Atenție!

Pentru evitarea pericolelor mașina trebuie ținută neapărat de ambele mâner (3/6). În caz contrar există pericol de electrocutare la eventuala atingere a cablurilor cu burghiul!

### 8.1 Indicator de funcționare (Fig. 1/Poz. 11)

Dacă ștecherul este racordat la rețea, indicatorul de funcționare (11) luminează.

### 8.2 Întrerupător pornire/oprire (Fig. 9/Poz. 10)

- Montați mai întâi un burghiu potrivit în mașină (vezi 7.3).
- Racordați ștecherul de rețea la o priză adecvată.
- Poziționați ciocanul rotopercutor cu dăltuire direct la locul de găurire.

### Pornirea:

Apăsați întrerupătorul pornire/oprire (10).

### Oprirea:

Eliberați întrerupătorul pornire/oprire (10).

### Pornire regim permanent de lucru:

Asigurați întrerupătorul pornire/oprire cu (10) butonul de fixare (8). Atenție! Un blocaj este posibil doar în cazul rotației spre dreapta.

### Oprire regim permanent de lucru:

Apăsați scurt întrerupătorul pornire/oprire (10).

### 8.3 Reglarea turației (Fig. 9/Poz. 10)

- În timpul utilizării mașinii de găurit puteți regla turația acesteia fără trepte.
- Prin apăsarea mai tare sau mai ușoară a întrerupătorului pornire/oprire (10) alegeți turația.
- Alegerea turației corecte: Turația adecvată depinde de piesa de prelucrat, de regimul de funcționare și de burghiul folosit.
- Apăsare ușoară pe întrerupătorul pornire/oprire (10): turație mai mică
- Apăsare mai tare pe întrerupătorul pornire/oprire (10): turație mai mare

**Indiciu:** Folosiți o turație mai mică atunci când începeți să dați gaura. Creșteți apoi treptat turația.

### Avantaje:

- Când începeți să dați gaura, burghiul este mai ușor de controlat și nu alunecă.
- Evitați astfel găurile așchiate (de ex. la plăcile de teracotă).

### 8.4 Preselecția turației (Fig. 9/Poz. 9)

- Nu efectuați acest reglaj în timpul procesului de găurire.
- Reglorul turației (9) vă permite definirea turației maxime. Întrerupătorul de pornire/oprire (10) nu mai poate fi apăsat decât până la turația maximă prestabilită.
- Alegeți turația maximă cu ajutorul reglului turației (9) aflat în dreptul întrerupătorului de pornire/oprire (10).

### 8.5 Comutatorul rotire stânga/dreapta (Fig. 9/Poz. 7)

- **Comutarea se va realiza numai când aparatul este în repaus!**
- Alegeți sensul de lucru al mașinii de găurit prin percuție cu ajutorul comutatorului rotire spre stânga/rotire spre dreapta (7):

### Sensul de lucru      Poziția comutatorului al mașinii

Rotație spre dreapta (înainte și găurire)      se apasă spre stânga

Rotație spre stânga (înapoi)      se apasă spre dreapta

### 8.6 Comutator găurire/percuție/dăltuire (Fig. 10)

#### Atenție!

**Dacă este montată mandrina rapidă suplimentară (14), nu sunt disponibile funcțiile de percuție și dăltuire.**

- Pentru găurire apăsați butonul (E) pe comutator (5) și rotiți concomitent comutatorul (5) în poziția A.
- Pentru găurirea prin percuție apăsați butonul (E) pe comutator (5) și rotiți concomitent comutatorul (5) în poziția B.
- Pentru dăltuire apăsați butonul (E) pe

comutator (5) și roțiți concomitent comutatorul (5) în poziția C. În poziția C a butonului delta nu este blocată.

- Pentru dăltuire apăsați butonul (E) pe comutator (5) și roțiți concomitent comutatorul (5) în poziția D. În poziția D a butonului delta este blocată.

#### ⚠ **Atenție!**

Pentru găurirea cu percuție este necesară doar de o forță de apăsare ușoară. O forță de apăsare prea mare poate suprasolicita inutul motorul. Verificați burghiul cu regularitate. Ascuțiți sau înlocuiți burghiul tocit.

## 9. Schimbarea cablului de racord la rețea

În cazul deteriorării cablului de racord la rețea a acestui aparat, pentru a evita pericolele, acesta trebuie înlocuit de către producător, de service-ul său pentru clienți sau de o persoană cu calificare similară.

## 10. Curățirea, întreținerea și comanda pieselor de schimb

#### ⚠ **Atenție!**

Înainte tuturor lucrărilor de curățire scoateți ștecherul din priză.

#### 10.1 Curățirea

- Păstrați cât mai curat posibil dispozitivele de protecție, fantele de aerisire și carcasa motorului. Ștergeți aparatul cu o cârpă curată sau curățați-l cu aer comprimat la o presiune mică.
- Recomandăm curățirea aparatului imediat după fiecare utilizare.
- Curățați aparatul cu regularitate cu o cârpă umedă și puțin săpun. Nu folosiți detergenți sau solvenți pentru curățare; acestea ar putea degrada părțile din material plastic ale aparatului. Fiți atenți să nu intre apă în aparat.

#### 10.2 Perile de cărbune

În cazul formării exagerate de scânteii sau aprinderea afișajului pentru uzura perilelor de cărbune (12), se vor verifica perile de cărbune de către un electrician specializat.

#### 10.3 Întreținere

În interiorul aparatului nu se găsesc piese care necesită întreținere curentă.

#### 10.4 Comanda pieselor de schimb:

La comanda pieselor de schimb trebuie să menționați următoarele date:

- Tipul aparatului
  - Numărul articolului aparatului
  - Numărul de identificare al aparatului
- Informații și prețuri actuale găsiți la adresa [www.isc-gmbh.info](http://www.isc-gmbh.info)

## 11. Eliminare și reciclare

Aparatul se află într-un ambalaj pentru a împiedica pagubele de transport. Acest ambalaj este o materie primă și este astfel revalorificabil sau poate fi readus în circuitul de revalorificare a materiilor prime. Aparatul și piesele sale auxiliare sunt construite din diferite materiale, cum ar fi de exemplu metal sau material plastic. Expediați componentele defecte la centrele de colectare ale deșeurilor speciale. Interesați-vă în acest sens în magazinele de specialitate sau la administrația comunală!



Numai pentru țări ale UE

Nu aruncați aparatele electrice la gunoiul menajer!

Conform directivei europene 2002/96/CE cu privire la aparatele electrice și electronice vechi și punerea în aplicare în legislația națională, aparatele electrice uzate trebuie colectate separat și supuse unui ciclu de reciclare ecologic.

**RO**

Alternativă de reciclare la apelul de trimitere  
înapoi:

Alternativ returnării, proprietarul aparatului  
electric este obligat să participe la o valorificare  
corectă a acestuia, în cazul renunțării asupra  
proprietății aparatului. Aparatul vechi poate fi  
predat în acest sens unui centru de colectare,  
care execută o îndepărtare conform legilor  
naționale referitoare la reciclare și deșeuri. Nu  
sunt afectate accesoriile atașate aparatelor  
vechi și materiale auxiliare fără componente  
electrice.



## 12. Declarație de conformitate

Einhell Germany AG · Wiesenweg 22 · D-94405 Landau/Isar



## Konformitätserklärung

- (C)** erklärt folgende Konformität gemäß EU-Richtlinie und Normen für Artikel
- (EN)** explains the following conformity according to EU directives and norms for the following product
- (F)** déclare la conformité suivante selon la directive CE et les normes concernant l'article
- (I)** dichiara la seguente conformità secondo la direttiva UE e le norme per l'articolo
- (NL)** verklaart de volgende overeenstemming conform EU richtlijn en normen voor het product
- (E)** declara la siguiente conformidad a tenor de la directiva y normas de la UE para el artículo
- (P)** declara a seguinte conformidade, de acordo com a directiva CE e normas para o artigo
- (DK)** atterer følgende overensstemmelse i medfør af EU-direktiv samt standarder for artikel
- (S)** förklarar följande överensstämmelse enl. EU-direktiv och standarder för artikeln
- (FIN)** vakuuttaa, että tuote täyttää EU-direktiivin ja standardien vaatimukset
- (EL)** töendab toote vastavust EL direktiivile ja standarditele
- (CZ)** vydává následující prohlášení o shodě podle směrnice EU a norem pro výrobek
- (SK)** potvrduje sledoću skladnost s smernico EU in standardi za izdelek
- (HU)** vydává nasledujúce prehlásenie o zhode podľa smernice EÚ a noriem pre výrobok
- (H)** a cikkekhez az EU-irányvonal és Normák szerint a következő konformitást jelenti ki
- (PL)** deklaruje zgodność wymienionego poniżej artykułu z następującymi normami na podstawie dyrektywy WE.
- (BG)** декларира съответното съответствие съгласно Директива на ЕС и норми за артикул
- (LV)** paskaidro šādu atbilstību ES direktīvai un standartiem
- (LT)** apibūdina šį atitikimą EU reikalavimams ir prekės normoms
- (RO)** declară următoarea conformitate conform directivei UE și normelor pentru articolul
- (GR)** δηλώνει την ακόλουθη συμμόρφωση σύμφωνα με την Οδηγία ΕΚ και τα πρότυπα για το προϊόν
- (HR)** potvrđuje sljedeću usklađenost prema smjernicama EU i normama za artikl  
Izjava o sukladnosti za ovaj proizvod dostupna je na internet stranici www.lidl.hr.
- (SI)** potvrdjuje sljedeću usklađenost prema smjernicama EU i normama za artikl
- (RS)** potvrđuje sledeću usklađenost prema smernicama EZ i normama za artikal
- (SR)** sledućim udostoverjaset, što sledućie produkti sootvetstvujut direktivam i normam EC
- (UA)** проголошує про зазначену нижче відповідність виробу директивам та стандартам ЄС на виріб
- (HU)** Ürünü ile ilgili AB direktifleri ve normları gereğince aşağıda açıklanan uygunluğu belirtir
- (CY)** erklærer følgende samsvar i henhold til EU-direktivet og standarder for artikkel
- (IS)** Lýsir uppfyllingu EU-reglna og annarra staða vöru

## Bohrhammer PBH 1100 A1 (Parkside)

- 87/404/EC\_2009/105/EC
- 2005/32/EC\_2009/125/EC
- 2006/95/EC
- 2006/28/EC
- 2004/108/EC
- 2004/22/EC
- 1999/5/EC
- 97/23/EC
- 90/396/EC\_2009/142/EC
- 89/686/EC\_96/58/EC
- 2006/42/EC
- Annex IV  
Notified Body:  
Notified Body No.:  
Reg. No.:
- 2000/14/EC\_2005/88/EC
- Annex V
- Annex VI  
Noise: measured  $L_{WA}$  = dB (A); guaranteed  $L_{WA}$  = dB (A)  
P = KW; L/Ø = cm  
Notified Body:
- 2004/26/EC  
Emission No.:

Standard references: EN 60745-1; EN 60745-2-6; EN 55014-1;  
EN 55014-2; EN 61000-3-2; EN 61000-3-3

Landau/Isar, den 07.09.2010

Weichselgartner/General Manager

Unger/Product-Management

First CE: 08  
Art.-No.: 42.583.72 I.-No.: 11010  
Subject to change without notice

Archive-File/Record: 4258395-42-4155050-08  
Documents registrar: Georg Riedel  
Wiesenweg 22, D-94405 Landau/Isar

# 13. Certificat de garanție

**Stimate clientă, stimat client,**

produsele noastre sunt supuse unui control de calitate riguros. Dacă totuși vreodată acest aparat nu va funcționa ireproșabil ne pare foarte rău și vă rugăm să vă adresați la centrul service indicat la finalul acestui certificat de garanție. Bineînțeles că vă stăm și la telefon cu plăcere la dispoziție, la numerele de service menționate mai jos. Pentru revendicarea pretențiilor de garanție trebuie ținut cont de următoarele:

1. Aceste instrucțiuni de garanție reglementează prestațiile de garanție suplimentare. Pretențiile dumneavoastră de garanție legale nu sunt atinse de această garanție. Prestația noastră de garanție este gratuită pentru dumneavoastră.
2. Prestația de garanție se extinde în exclusivitate asupra defectelor care provin din erori de material sau de fabricație și se limitează la remedierea acestor defecte respectiv la schimbarea aparatului. Vă rugăm să țineți cont de faptul că aparatele noastre, în conformitate cu scopul lor de folosire, nu sunt prevăzute pentru intervenții meșteșugărești sau industriale. Din acest motiv nu se va încheia un contract de garanție atunci când aparatul se va folosi în întreprinderi meșteșugărești sau industriale precum și pentru activități similare. De la garanție sunt excluse deasemenea prestațiile pentru deteriorările intervenite pe timpul transportului, deteriorări datorate neluării în considerare a instrucțiunilor de montare sau datorită instalării necompetente, neluării în considerare a instrucțiunilor de folosire (cum ar fi de exemplu racordarea la o tensiune de rețea falsă sau la un curent fals), utilizarea abuzivă sau improprie (cum ar fi suprasolicitarea aparatului sau folosirea uneltelor atașabile sau auxiliarilor neadmiși), neluării în considerare a prescripțiilor referitoare la lucrările de întreținere și siguranță, intrarea corpurilor străine în aparat (cum ar fi nisip, pietre sau praf), recurgerea la violență sau influențe străine (cum ar fi de exemplu deteriorări datorită căderii), precum și datorită uzurii normale, conformă utilizării. Acest lucru este valabil în special pentru acumulatori, cu toate acestea acordăm totuși o durată de garanție de 12 luni.

Pretenția de garanție se pierde atunci când s-au efectuat intervenții la aparat.

3. Durata de garanție este de 3 ani și începe din ziua cumpărării aparatului. Pretențiile de garanție se vor revendica în interval de două săptămâni de la data apariției defectului. Este exclusă revendicarea pretenției de garanție după expirarea duratei de garanție. Repararea sau schimbarea aparatului nu duc nici la prelungirea duratei de garanție și nici nu se va fixa o durată de garanție nouă pentru prestația efectuată la acest aparat sau pentru o piesă schimbată la acesta. Acest lucru este valabil și în cazul unui service la fața locului.
4. Pentru revendicarea pretențiilor dumneavoastră de garanție vă rugăm să trimiteți aparatul defect gratuit la adresa menționată mai jos. Anexați bonul de cumpărare în original sau o altă dovadă de cumpărare datată. Vă rugăm să păstrați cu grijă bonul de casă drept dovadă! Vă rugăm să descrieți cât mai amănunțit motivul reclamației. Dacă defectul aparatului este cuprins în prestațiile noastre de garanție, veți primi imediat înapoi aparatul reparat sau un aparat nou.

Bineînțeles că remediem cu plăcere contra cost și defecte la aparate care nu sunt sau nu mai sunt cuprinse în prestațiile de garanție. Pentru aceasta trimiteți și vă rugăm aparatul la adresa noastră service.

**Einhell Romania SRL**

110, Garlei Str.

Sector 1

**RO-013725 Bucharest**

Tel. 004-021-35143 02, Fax 004-021-351 43 03

**Съдържание****страница**

1. Въведение.....	45
2. Указания за безопасност.....	45-48
3. Описание на уреда.....	48
4. Обем на доставка.....	48
5. Употреба по предназначение.....	48-49
6. Технически данни.....	49
7. Преди пускане в експлоатация.....	50-51
8. Пускане в експлоатация.....	51-53
9. Подмяна на мрежовия съединителен проводник.....	53
10. Почистване, поддръжка и поръчка на резервни части.....	53
11. Екологосъобразно отстраняване и повторно използване.....	53-54
12. Декларация за съответствие.....	55
13. Гаранционен документ.....	56

Препечатването или друг вид  
размножаване на документация и  
съпроводителни документи на продуктите,  
също така на части е допустимо само с  
изричното съгласие на ISC GmbH.

Запазено е правото за технически промени



## Допълнителни указания за безопасност



“ПРЕДУПРЕЖДЕНИЕ – С цел намаляване на риска от наранявания прочетете упътването за употреба”



### Носете защита за слуха.

Въздействието на шума може да причини загуба на слуха.



### Носете противопрахова маска.

При обработването на дърво и други материали може да се появи вреден за здравето прах. Съдържащ азбест материал не трябва да се обработва!



### Носете защитни очила.

Възникващи по времето на работата искри или излизаци от уреда трески, стърготини или прах могат да причинят загуба на видимост.

1



2



За да избегнете повреждане на уреда, превключването между отделните функции трябва да става при спиране.

## 1. Въведение

### ⚠ Внимание!

При използването на уредите трябва се спазват някои предпазни мерки, свързани с безопасността, за да се предотвратят наранявания и щети. За целта внимателно прочетете това упътване за употреба/указания за безопасност. Пазете го добре, за да разполагате с информацията по всяко време. В случай, че трябва да предадете уреда на други лица, моля, предайте им и това упътване за употреба/указания за безопасност. Ние не поемаме отговорност за злополуки или щети, които възникват вследствие на несъблюдаването на това упътване и на указанията за безопасност.

## 2. Указания за безопасност

### ⚠ ПРЕДУПРЕЖДЕНИЕ

**Прочетете всички указания за безопасност и инструкции.** Пропуските при спазването на указанията за безопасност и инструкциите могат да предизвикат токов удар, пожар и/или тежки наранявания. **Съхранявайте всички указания за безопасност и инструкции за в бъдеще.**

Използването в указанията за безопасност понятие „електроинструмент“ се отнася за мрежово-задвижвани електроинструменти (с мрежов кабел) и за акумулаторно-задвижвани електроинструменти (без мрежов кабел).

### 1. Безопасност на работното място

- **Пазете Вашата работна зона чиста и добре осветена.** Безпорядък и неосветени работни зони могат да доведат до злополуки.
- **Не работете с електроинструмента в експлозионно опасна среда, в която се намират запалими течности, газове и прах.** Електроинструментите възпроизвеждат искри, които могат да

възпламенят праха или парите.

- **Дръжте далеч деца и други лица по време на използването на електроинструмента.**

В случай на разсейване можете да изгубите контрол над уреда.

### 2. Електрическа безопасност

- **Съединителният щепсел на електроинструмента трябва да се напасне в контакта. Щепселът не трябва да се променя по никакъв начин. Не използвайте адаптерни щепсели заедно с защитно-заземени електроинструменти.** Непроменени щепсели и подходящи контакти намаляват риска от токов удар.
- **Избягвайте контакт на тялото с заземени повърхности като тръби, отопления, печки и хладилници.** Съществува повишен риск от токов удар, ако тялото Ви е заземено.
- **Пазете електроинструментите от дъжд или влага.** Проникването на вода в електроинструмента увеличава риска от електрически удар.
- **Не използвайте не по предназначение кабела, за да носите, окачвате електроинструмента или за да издърпате щепсела от контакта. Пазете кабела далеч от горещина, масло, остри ръбове или движещи се части на уреди.** Повредени или омотани кабели увеличават риска от електрически удар.
- **Когато работите с електроинструмент на открито, използвайте само удължителни кабели, които са подходящи също така за външната зона.** Използването на подходящ за външната зона удължителен кабел намалява риска от електрически удар.
- **Ако не може да се избегне експлоатацията на електроинструмента във влажна среда, използвайте защитен прекъсвач за утечен ток.** Използването на защитен прекъсвач за

утечен ток намалява риска от електрически удар.

### 3. Безопасност на лица

- **Бъдете внимателни, внимавайте за това, което правите и подхождайте разумно към работата с електроинструмента. Не използвайте уреда, ако сте уморени или сте под влиянието на наркотици, алкохол или медикаменти.** Момент на невнимание при използването на електроуред може да доведе до сериозни наранявания.
- **Носете лична защитна екипировка и винаги предпазни очила.**  
Носенето на лична защитна екипировка като противопрахова маска, устойчиви на подхлъзване защитни обувки, защитна каска или защита за слуха според вида и използването на електроинструмента намалява риска от наранявания.
- **Избягвайте непреднамереното пускане в експлоатация. Уверете се, че електроинструментът е изключен, преди да го свържете за електрозахранването и/или да включите акумулатора, да го повдигнете или носите.**  
Ако при носенето на електроинструмента пръстът Ви е на прекъсвача или свързвате уреда включен за електрозахранването, то това може да доведе до злополуки.
- **Извадете инструментите за настройка или гаечните ключове, преди да включите електроинструмента.**  
Инструмент или ключ, който се намира във въртяща се част на уреда, може да доведе до наранявания.
- **Избягвайте неестественото положение на тялото. Погрижете се за безопасния стоиж и пазете по всяко време равновесие.**  
По този начин можете по-добре да контролирате електроинструмента при неочаквани ситуации.
- **Носете подходящо облекло. Не носете широки дрехи или бижута.**

**Пазете косата, облеклото и ръкавиците далеч от движещите се части.**

Свободно облекло, бижута или дълга коса могат да се захванат от движещи се части.

- **Когато могат да се монтират прахосмукателни устройства и прахоуловителни приспособления се уверете, че те са свързани и се използват правилно.**  
Използването на прахосмукателни приспособления може да намали излагането на опасност посредством праха.

### 4. Използване и обслужване на електроинструмента

- **Не претоварвайте уреда. За Вашата работа използвайте определения за целта електроинструмент.**  
С подходящия електроинструмент ще работите по-добре и по-безопасно в подходящия диапазон на мощност.
- **Не използвайте електроинструмент, чийто прекъсвач е дефектен.**  
Електроинструмент, който повече не се включва или изключва е опасен и трябва да се ремонтира.
- **Издърпайте щепсела от контакта и/или извадете акумулатора, преди да извършите настройки на уреда, да смените отделните части от принадлежностите или да поставите настрана уреда.**  
Тази предотхранителна мярка възпрепятства непреднамереното включване на електроинструмента.
- **Пазете неупотребявани електроинструменти извън обсега на достъп на деца. Не позволявайте уредът да се използва от лица, които не са запознати с този уред или не са прочели тези инструкции.**  
Електроинструментите са опасни, когато се използват от неопитни лица.
- **Обслужвайте грижливо електроинструмента. Проверете, дали подвижните части функционират безупречно и не се**

приклепват, дали части са счупени или по такъв начин повредени, че е възпрепятствано функционирането на електроинструмента. Преди използването на уреда занесете на поправка повредените части.

Причина за много злополуки са лошо поддържаните електроинструменти.

- **Пазете Вашите електроинструменти остри и чисти.**

Грижливо поддържаните режещи инструменти с остри режещи ръбове се заклепват по-малко и са лесни за управление.

- **Използвайте електроинструмент, принадлежност, инструменти за употреба и т. н. съобразно тези инструкции. При това съблюдавайте условията на работа и дейността, която следва да се извърши.**

Употребата на електроинструменти за различна от предвидената употреба може да доведе до опасни ситуации.

## 5. Обслужване

- **Носете Вашия електроинструмент на поправка само от квалифициран компетентен персонал и само с оригиналните резервни части.**

По този начин се гарантира, че се запазва безопасността на електроинструмента.

### Указания за безопасност за чук

- **Носете защита за слуха.**  
Въздействието на шума може да предизвика загуба на слуха.
- **Използвайте доставените с уреда допълнителни ръкохватки.** Загубата на контрол може да доведе до наранявания.
- **Дръжте уреда за изолираните повърхности на дръжките, когато извършвате работи, при които инструментът за употреба може да улучи скрити токопроводници или собствения мрежов кабел.** Контактът с проводящ напрежение проводник може да постави също така металните части на уреда под напрежение и да

доведе до електрически удар.

### Специални указания за безопасност за пробивен и длето-чук

- Проверете посоченото на фирмената табелка с данни напрежение (Волт).
- При използване на контактови ролери, развийте изцяло проводника. Напречен разрез на жицата най-малко 1,5 мм<sup>2</sup>.
- Обърнете внимание на стабилния стоеж върху подвижни стълби или скелета при ръчно пробиване.
- На стени, където токо-, водо- или газопроводи са положени невидимо, най-напред локализирайте тръбопроводите с търсещо проводници/проводи устройство. Избягвайте контакта с токопроводящи части или проводници.
- За защита на Вашите уши носете защита за слуха: продължителна загуба на слуха!
- Носете защитни очила и използвайте противопрахова маска при възпроизвеждащи прах работи.
- Не използвайте в зоната на пари или запалими течности.
- Издърпвайте щепсела от контакта при всякакви работи, свързани с реконструкция и почистване.
- Пазете мрежовия проводник от повреди. Масло и киселина могат да повредят проводника.
- Не претоварвайте машината.
- **Важно!**  
Всички национални предписания по безопасност относно инсталация, експлоатация и поддръжка следва да се съблюдават.
- Длето и свредлото по невнимание могат да изхвъркнат от инструмента и да предизвикат тежки наранявания:  
- Преди започване на работата винаги проверявайте длето или свредлото да са фиксирани в държача на инструмента.  
- Проверявайте държача на инструмента редовно за износване или повреда.
- Задействайте даден удрящ инструмент само, когато е натиснат срещу заготовка (стена, таван и т. н.).

**BG**

- След приключване на работата извадете пробивния-длето-чук от електрическата мрежа и извадете длето или свредлото от инструмента.
- Преди смяната на длето или свредлото винаги отделяйте пробивния-длето-чук от мрежата.
- Пазете очите и сътрудниците от изхвъркващи части и разцепващи се чужди тела. Носете защитна каска! Поставете преградни стени!
- Пазете работните ръкавици от одрасквания на кожата.
- Вибрациите могат да са вредни за системата-ръка-рамо: времето на действие на вибрациите трябва да трае толкова малко, колкото е възможно.
- Винаги отвеждайте мрежовия кабел назад от уреда.
- Пазете уреда така, че да е недостъпен за деца.
- По време на работа винаги дръжте уреда с двете ръце и обърнете внимание на стабилния стоещ.
- Преди обработката на материала е необходимо да се обърне внимание на това, на уреда да е настроена правилната позиция на прекъсвача за подлежащата на изпълнение обработка. Тъй като в противен случай съществува опасност от телесно нараняване при задвижването на машината.

**Пазете добре указанията за безопасност.**

### 3. Описание на уреда (фигура 1)

1. Защита срещу прах
2. Блокираща втулка
3. Допълнителна ръкохватка
4. Фиксиращ винт за дълбок ограничител
5. Превключвател пробиване/ударно пробиване/обработване с длето
6. Ръкохватка
7. Превключвател десен/ляв ход
8. Фиксиращ бутон

9. Регулатор за оборотите
10. Вкл-/ изключвател
11. Индикация за режима на работа
12. Показание за износването на въгленовите четки
13. Дълбок ограничител
14. Допълнителен бързозатегателен патронник за свредло
15. Приспособление за събиране на прах

### 4. Обем на доставка

Извадете всички части от опаковката и ги проверете за тяхната окомплектованост.

- Пробивен-длето-чук РВН 1100 А1
- Допълнителна ръкохватка
- Дълбок ограничител
- Свредло за камък (6, 8, 10 мм)
- Копиевидно длето – плоско длето
- Допълнителен бързозатегателен патронник за свредло
- Приспособление за събиране на прах
- Упътване за употреба

### 5. Употреба по предназначение

Уредът е предназначен за пробиване с чук в бетон, скали и тухли и за работи с длето при използване на съответното свредло или длето.

Машината трябва да се използва само по нейното предназначение. Всяка друга употреба, различна от тази, не е според предназначението. За възникващи от това щети или наранявания от всякакъв вид отговаря потребителят/обслужващото лице, а не производителят.



Моля, имайте предвид, че нашите уреди според предназначението си не са конструирани за промишлена, занаятчийска или индустриална употреба. Ние не поемаме никаква гаранция, ако уредът се използва в промишлени, занаятчийски или индустриални предприятия, както и при подобни на тях дейности.

## 6. Технически данни

Мрежово напрежение:	230-240 V~ 50 Hz
Необходима мощност:	1050 W
Обороти на празен ход:	0-1100 мин <sup>-1</sup>
Брой удари:	0-5100 мин <sup>-1</sup>
Мощност на пробиване бетон/камък (макс.):	
Ø 26 мм	
Клас защита:	II /
Тегло:	3,6 кг

## Шум и вибрация

Стойностите на шум и вибрация са установени съгласно EN 60745.

Ниво на звуково налягане $L_{pA}$	91,8 децибела(A)
Несигурност $K_{pA}$	3 децибела
Ниво на звукова мощност $L_{WA}$	102,8 децибела(A)
Несигурност $K_{WA}$	3 децибела

Пробивният чук не е предвиден за използване на открито, съобразно член 3 от Директивата 2000/14/ЕС\_2005/88/ЕС.

### Носете защита за слуха.

Въздействието на шума може да предизвика загуба на слуха.

Общи стойности на трептене (векторна сума на три посоки) определени съгласно EN 60745.

### Пробивни чукове в бетон

Емисионна стойност на трептене

$$a_n = 15,81 \text{ м/сек}^2$$

$$\text{Несигурност } K = 1,5 \text{ м/сек}^2$$

### Обработване с длето

Емисионна стойност на трептене

$$a_n = 15,668 \text{ м/сек}^2$$

$$\text{Несигурност } K = 1,5 \text{ м/сек}^2$$

### Предупреждение!

Посочената емисионна стойност на трептене е измерена съгласно нормиран метод на изпитване и в зависимост от вида и начина може да се използва в електроинструмента, да се променя и в особени случаи да е над посочената стойност.

Посочената емисионна стойност на трептене може да се използва за сравнение на един електроинструмент с друг.

Посочената емисионна стойност на трептене може да се използва също така за въвеждателна оценка на възпрепятстването.

### Ограничете появата на шум и вибрация до минимум!

- Използвайте само изрядни уреди.
- Обслужвайте и почиствайте уреда редовно.
- Нагодете начина си на работа спрямо уреда.
- Не претоварвайте уреда.
- При необходимост проверявайте уреда.
- Изключвайте уреда, когато не се използва.
- Носете ръкавици.

## 7. Преди пускане в експлоатация

### ⚠ Внимание!

Преди свързването се убедете, че данните върху фирмената табелка с данни съвпадат с мрежовите данни.

Винаги издърпвайте мрежовия щепсел, преди да извършите настройките по уреда.

Проверявайте мястото на използване за положени скрити електрически проводници, газопроводни и водопроводни тръби с помощта на търсецо проводници/проводи устройство.

### 7.1 Допълнителна дръжка (изобр. 2 – поз. 3)

**По причини, свързани с безопасността използвайте пробивния-длето-чук само с допълнителната дръжка.**

Допълнителната ръкохватка (3) по време на използване на машината Ви предлага допълнителна опора. Затова не използвайте уреда без допълнителната ръкохватка (3). Допълнителната ръкохватка (3) се закрепва за машината посредством закрепване с клеми. Чрез завъртане на допълнителната ръкохватка (3) по посока на часовниковата стрелка се затяга закрепването с клеми. Ако завъртите срещу посоката на часовниковата стрелка, затягането с клеми се разхлабва.

- Приложената допълнителна ръкохватка (3) трябва да бъде монтирана най-напред. За целта посредством завъртане на допълнителната ръкохватка (3) затягането с клеми трябва да се отвори достатъчно широко, за да може допълнителната дръжка (3) да се прибува над машината.
- След избуването на допълнителната ръкохватка (3) я обърнете в най-приятната за Вас работна позиция.
- Сега отново завъртете допълнителната ръкохватка (3) в противоположната посока на въртене, докато допълнителната ръкохватка (3) се

закрепи стабилно.

- Допълнителната ръкохватка (3) е подходяща за десничари, също както и за левичари.

### 7.2 Дълбок ограничител (изобр. 3 – поз. 13)

Дълбокият ограничител (13) с помощта на фиксиращия винт (4) се задържа за допълнителната ръкохватка (3) посредством затягане с клеми.

- Отвийте фиксиращия винт (4) и поставете дълбокия ограничител (13).
- Поставете дълбокия ограничител (13) върху същата равнина спрямо свредлото.
- Издърпайте обратно дълбокия ограничител (13) за желаната дълбочина на пробиване.
- Затегнете отново здраво фиксиращия винт (4).
- Пробийте сега дупката, докато дълбокият ограничител (13) докосва заготовката.
- Дълбокият ограничител (13) е снабден с растер, който при използването възпрепятства изместването на дълбокия ограничител (13).

### 7.3 Поставяне на инструмента (изобр. 4)

- Почистете инструмента преди използването и леко смажете дръжката на инструмента с грес за свредло.
- Издърпайте и задръжте блокиращата втулка (2).
- Поставете безпрашния инструмент чрез въртене в държача на инструмента до ограничителя. Инструментът се блокира автоматично, след като се освободи блокиращата втулка.
- Проверете блокировката посредством издърпване на инструмента.

### 7.4 Изваждане на инструмента (изобр. 5)

Издърпайте блокиращата втулка (2), задръжте и извадете инструмента.

### 7.5 Приспособление за събиране на прах (изобр. 8)

Преди работа с пробивния чук прибутайте отвесно над главата приспособлението за събиране на прах (15) през свредлото.

### 7.6 Поставяне на допълнителния бързозатегателен патронник за свредло (изобр. 4)

- Почистете бързозатегателния патронник за свредло (14) преди поставянето и леко смажете дръжката на бързозатегателния патронник за свредло с грес за свредло.
- Издърпайте и задръжте блокиращата втулка (2).
- Поставете безпрашния бързозатегателен патронник за свредло (14) чрез въртене в държача на инструмента до ограничителя. Бързозатегателният патронник за свредло (14) се блокира автоматично, след като се освободи блокиращата втулка.
- Проверете блокировката посредством издърпване на бързозатегателния патронник за свредло (14).

### 7.7 Изваждане на допълнителния бързозатегателен патронник за свредло (изобр. 5)

Издърпайте блокиращата втулка (2), задръжте и извадете бързозатегателния патронник за свредло.

### 7.8 Поставяне на свредлото в бързозатегателния патронник за свредло (фигура 6-7)

#### ⚠ Внимание!

- Винаги издърпвайте мрежовия щепсел, преди да извършите настройки по уреда.
- Разхлабете дълбокия ограничител (13), както е описано в 7.2 и прибутайте в посока към дръжката на свредлото. По този начин е налице свободен достъп до бързозатегателния патронник за свредло (14).
- Отвинтете бързозатегателния патронник за свредло (14). Отворът на

патронника за свредло трябва да е достатъчно голям, за да поеме свредлото.

- Изберете подходящо свредло. Прибутайте инструмента, доколкото е възможно, в отвора на патронника за свредло.
- Завъртете бързозатегателния патронник за свредло (14). Проверете, дали свредлото стои стабилно е бързозатегателния патронник за свредло (14).
- Проверявайте на редовни разстояния стабилния стоеж на свредлото респ. инструмента (издърпайте мрежовия щепсел!).

## 8. Пускане в експлоатация

#### ⚠ Внимание!

**За да избегнете излагане на опасност, машината трябва да се придържа само за двете ръкохватки (3/6)!** В противен случай при пробиването на проводници е налице заплаха от електрически удар!

### 8.1 Индикация за режима на работа (изобр. 1/поз. 11)

При поставен мрежови щепсел светва индикацията за режима на работа (11).

### 8.2 Вкл-/изключвател (фигура 9/поз. 10)

- Най-напред поставете подходящо свредло в уреда (вижте 7.3).
- Свържете мрежовия щепсел с подходящ контакт.
- Поставете пробивния-длето-чук директно в мястото на пробиване.

#### Включване:

Натиснете вкл-/изключвателя (10).

#### Включване:

Освободете вкл-/изключвателя (10).

**Включване на продължителен режим:**

Обезопасете вкл./изключвателя (10) с фиксиращия бутон (8). Внимание!  
Фиксиране е възможно само при десен ход.

**Изключване на продължителен режим:**

Натиснете за кратко вкл./изключвателя (10).

**8.3 Настройване на обороти (фигура 9/поз. 10)**

- Можете да управлявате оборотите по време на режима на работа безстепенно.
- Посредством повече или по-малко силно натискане на вкл./изключвателя (10) избирате оборотите.
- Избор на правилните обороти: Най-добре подходящите обороти зависят от заготовката, от режима на работа и от използваното свредло.
- По-малък натиск върху вкл./изключвателя (10): по-ниски обороти.
- По-голям натиск върху вкл./изключвателя (10): по-високи обороти.

**Съвет:** Засвредловайте свредловъчни отвори с малки обороти. Увеличете последователно след това оборотите.

**Предимства:**

- Свредлото трябва да се контролира лесно при свредловането и не се хлъзга.
- Избягвате раздробени свредловъчни отвори (напр. при облицоване с кахлени плочи/теракота).

**8.4 Предварително избиране на оборотите (фигура 9/поз. 9)**

- Не извършвайте тази настройка по време на пробиването.
- Регулаторът за обороти (9) Ви улеснява да определите максималните обороти. Вкл./изключвателят (10) може да се натиска само още до зададените максимални обороти.
- Настройте оборотите с регулатора за обороти (9) във вкл./изключвателя (10).

**8.5 Превключвател десен/ляв ход (фигура 9/поз. 7)**

- Превключвайте само при спиране!
- Настройте с превключвателя за десен/ляв ход (7) посоката на въртене на свредлото за ударно пробиване:

**Посока на въртене****Позиция на прекъсвача**

Десен ход (напред и пробиване)      натиснете наляво

Ляв ход (обратен ход)      натиснете надясно

**8.6 Превключвател пробиване/ударно пробиване/обработване с длето (изобр. 10)****Внимание!**

**Ако е монтиран допълнителен бързозатегателен патронник за свредло (14), то не са на разположение функциите ударно пробиване/обработване с длето.**

- За пробиването натиснете главата (E) на превключвателя (5) и завъртете едновременно превключвателя (5) в положение на прекъсвача A.
- За ударно пробиване натиснете главата (E) на превключвателя (5) и завъртете едновременно превключвателя (5) в положение на прекъсвача B.
- За обработване с длето натиснете главата (E) на превключвателя (5) и завъртете едновременно превключвателя (5) в положение на прекъсвача C. В положение C длето не е фиксирано.
- За работи с длето натиснете главата (E) на превключвателя (5) и завъртете едновременно превключвателя (5) в положение на прекъсвача D. В положение D длето е фиксирано.

**⚠ Внимание!**

За ударното пробиване се нуждаете само от малко притискаща сила. Твърде голяма сила на притискане натоварва ненужно двигателя. Редовно проверявайте свредлата. Допълнително шлифовайте или заменете тъпи свредла.

## 9. Подмяна на мрежовия съединителен проводник

Ако мрежовият съединителен проводник на този уред е повреден, то той следва да се замени от производителя или от неговата сервисна служба за обслужване на клиенти или от подобно квалифицирано лице, за да се избегне излагането на опасност.

## 10. Почистване, поддръжка и поръчване на резервни части

**⚠ Внимание!**

Преди всяка работа по почистването издърпайте мрежовия щепсел.

**10.1 Почистване**

- Поддържайте защитните приспособления, въздушните отвори и корпуса на мотора колкото е възможно по-чисти и без прах. Изтъркайте уреда с чиста кърпа или го продухайте със сгъстен въздух при ниско налягане.
- Препоръчваме да почиствате уреда директно след всяко използване.
- Почиствайте уреда редовно с влажна кърпа и малко течен сапун. Не използвайте почистващи препарати или разтворители; те биха могли да причинят разяждане на пластмасовите части на уреда. Внимавайте за това, никаква вода да не проникне във вътрешността на уреда.

**10.2 Въгленови четки**

При прекомерно образуване на искри или светване на индикацията за износването на въгленовите четки (12) носете въгленовите четки за проверка от електроспециалист.

**10.3 Поддръжка**

Във вътрешността на уреда не се намират други, изискващи поддръжка части.

**10.4 Поръчка на резервни части:**

При поръчката на резервни части трябва да се посочат следните данни:

- Вид на уреда
  - Артикулен номер на уреда
  - Идентификационен номер на уреда
- Актуални цени и информация ще намерите на [www.isc-gmbh.info](http://www.isc-gmbh.info)

## 11. Екологосъобразно отстраняване и повторно използване

Уредът се намира в опаковка, за да се предотвратят щети при транспортирането. Тази опаковка представлява суровина и затова може да се използва повторно или да се върне към цикъла за повторна преработка на суровините. Уредът и неговите части са съставени от различни материали, като например метал и пластмаси. Изхвърлете дефектните монтажни части за екологосъобразно отстраняване на отровни отпадъци. Осведомете се в специализиран магазин или в общинската администрация!

**BG**



Само за страни от ЕС

Не изхвърляйте  
електроинструментите при  
битовите отпадъци!!

Съгласно Европейската директива 2002/96/ЕО за електрически и електронни стари уреди и прилагането в националното право употребените електроинструменти трябва да се събират отделно и да се доставят за екологична повторна употреба.

Алтернатива за рециклиране по отношение на призива за връщане:

Собственикът на електроуредта вместо връщане алтернативно с цел съдействие е задължен по отношение на целесъобразното оползотворяване в случай на отказ от собственост. Старият уред за целта също така може да се предостави в пункт за обратно вземане, където се извършва отстраняване по смисъла на националните закони за събирането, извозването, складирането и рециклирането на отпадъци. Това не засяга приложените към старите уреди отделни части от принадлежностите и помощни средства без електрически компоненти.

## 12. Декларация за съответствие

Einhell Germany AG · Wiesenweg 22 · D-94405 Landau/Isar



## Konformitätserklärung


- (C)** erklärt folgende Konformität gemäß EU-Richtlinie und Normen für Artikel
- (EN)** explains the following conformity according to EU directives and norms for the following product
- (F)** déclare la conformité suivante selon la directive CE et les normes concernant l'article
- (I)** dichiara la seguente conformità secondo la direttiva UE e le norme per l'articolo
- (NL)** verklaart de volgende overeenstemming conform EU richtlijn en normen voor het product
- (E)** declara la siguiente conformidad a tenor de la directiva y normas de la UE para el artículo
- (P)** declara a seguinte conformidade, de acordo com a directiva CE e normas para o artigo
- (DK)** atterer følgende overensstemmelse i medfør af EU-direktiv samt standarder for artikel
- (S)** förklarar följande överensstämmelse enl. EU-direktiv och standarder för artikeln
- (FIN)** vakuuttaa, että tuote täyttää EU-direktiivin ja standardien vaatimukset
- (EL)** төэндab тооте vastavust EL дирекtiivile ja standarditele
- (CZ)** vydává následující prohlášení o shodě podle směrnice EU a norem pro výrobek
- (SK)** potvrduje sledočo skladnost s smernico EU in standardi za izdelek
- (HU)** vydáva nasledujúce prehlásenie o zhode podľa smernice EÚ a noriem pre výrobok
- (H)** a cikkekhez az EU-irányvonal és Normák szerint a következő konformitást jelenti ki
- (PL)** deklaruje zgodność wymienionego poniżej artykułu z następującymi normami na podstawie dyrektywy WE.
- (BG)** декларира съответното съответствие съгласно Директива на ЕС и норми за артикул
- (LV)** paskaidro šādu atbilstību ES direktīvai un standartiem
- (LT)** apibūdina šį atitikimą EU reikalavimams ir prekės normoms
- (RO)** declară următoarea conformitate conform directivei UE și normelor pentru articolul
- (GR)** δηλώνει την ακόλουθη συμμόρφωση σύμφωνα με την Οδηγία ΕΚ και τα πρότυπα για το προϊόν
- (HR)** potvrđuje sljedeću usklađenost prema smjernicama EU i normama za artikl  
Izjava o sukladnosti za ovaj proizvod dostupna je na internet stranici www.lidl.hr.
- (SI)** potrjuje sljedeću usklađenost prema smjernicama EU i normama za artikl
- (RS)** potvrđuje sledeću usklađenost prema smernicama EZ i normama za artikal
- (SL)** sledujočim udostoverjaset, čto sledujoče produkte sootvetstvujot direktivam in normam EC
- (UA)** проголошує про зазначену нижче відповідність виробу директивам та стандартам ЄС на виріб
- (HU)** Ürünü ile ilgili AB direktifleri ve normları gereğince aşağıda açıklanan uygunluğu belirtir
- (NO)** erklærer følgende samsvar i henhold til EU-direktivet og standarder for artikkel
- (IS)** Lýsir uppfyllingu EU-reglna og annarra staða vöru

## Bohrhammer PBH 1100 A1 (Parkside)

- 87/404/EC\_2009/105/EC
- 2005/32/EC\_2009/125/EC
- 2006/95/EC
- 2006/28/EC
- 2004/108/EC
- 2004/22/EC
- 1999/5/EC
- 97/23/EC
- 90/396/EC\_2009/142/EC
- 89/686/EC\_96/58/EC
- 2006/42/EC
- Annex IV  
Notified Body:  
Notified Body No.:  
Reg. No.:
- 2000/14/EC\_2005/88/EC
- Annex V
- Annex VI  
Noise: measured  $L_{WA}$  = dB (A); guaranteed  $L_{WA}$  = dB (A)  
P = KW; L/Ø = cm  
Notified Body:
- 2004/26/EC  
Emission No.:

Standard references: EN 60745-1; EN 60745-2-6; EN 55014-1;  
EN 55014-2; EN 61000-3-2; EN 61000-3-3

Landau/Isar, den 07.09.2010

  
Weichselgartner/General Manager

  
Unger/Product-Management

First CE: 08  
Art.-No.: 42.583.72 I.-No.: 11010  
Subject to change without notice

Archive-File/Record: 4258395-42-4155050-08  
Documents registrar: Georg Riedel  
Wiesenweg 22, D-94405 Landau/Isar

# 13. ДОКУМЕНТ ЗА ГАРАНЦИЯ

## Уважаеми клиенти,

нашите продукти подлежат на строг качествен контрол. В случай, че въпреки това в даден момент този уред не работи безупречно, изказваме съжалението си и Ви молим, да се обърнете към нашата сервисна служба на посочения на тази гаранционна карта адрес. С удоволствие сме на Ваше разположение и по телефона на посочения телефонен номер в сервиса. За предявяването на претенциите по отношение на гаранцията е в сила следното:

1. Тези гаранционни условия уреждат допълнителни гаранционни услуги. Вашите законни права при недостатъци на престацията не биват засегнати от тази гаранция. Нашата гаранционна услуга е безплатна за Вас.
2. Гаранционната услуга се разпростира изключително върху дефекти, които се дължат на дефекти в суровината или производствени дефекти и се ограничава до отстраняване на тези дефекти, респ. до подмяна на уреда. Моля, обърнете внимание на това, че нашите уреди съгласно предназначението не са конструирани за промишлена, занаятчийска или индустриална употреба. Гаранционен договор при това не се сключва, когато уредът се използва в промишлени, занаятчийски или индустриални предприятия, както и при равностойни на тях дейности. От нашата гаранция се изключват също така допълнителни услуги за транспортни щети, щети поради не съблюдаване на упътването за монтажа или въз основа на не прецизна инсталация, не съблюдаване на упътването за употреба (като напр. поради свързване към неподходящо електрическо напрежение или вид ток), груби или неподходящи за целта приложения (като напр. претоварване на уреда или използване на не позволени инструменти за употреба или оборудване), не спазване на разпоредбите за поддръжка и безопасност, навлизане на чужди тела в уреда (като напр. пясък, камъни или прах), употреба на сила или чужди намеси (като напр. щети, получени чрез падане) както и поради обичайното изхабяване при употребата. Това важи по-специално за акумулатори, за които въпреки това осигуряваме гаранционен срок от 12 месеца.

Правото за гаранция изтича, когато по уреда вече са били извършени намеси.

3. Гаранционният период е 3 години и започва от датата на покупка на уреда. Гаранционните права трябва да се предявят преди изтичане на гаранционния период в рамките на две седмици, след като сте открили дефекта. Предявяването на гаранционните права след изтичане на гаранционния период е изключено. Поправката или подмяната на уреда не води до удължаване на гаранционния период, както и с тази услуга за уреда или за евентуални монтирани резервни части не започва нов гаранционен период. Това важи също и при използване на сервисни услуги на място.
4. За предявяването на Вашето гаранционно право, моля, изпратете дефектния уред на посочения по-долу адрес без заплащане на пощенска такса. Приложете квитанцията в оригинал или друг удостоверяващ покупката документ с дата. Моля, затова пазете добре касовия бон като доказателство! Моля, опишете ни причината за рекламацията възможно най-точно. Ако дефектът на уреда е включен в нашата гаранционна услуга, веднага ще получите обратно поправен или нов уред.

Разбира се, в замяна на възстановяването на разходите ние с удоволствие отстраняваме също и дефекти по уреда, които не са или вече не са включени в обхвата на гаранцията. За целта, моля, изпратете уреда на нашия адрес в сервиса.

Einhell Bulgaria LTD  
Blvd. "Tzar Osvoboditel" № 331.  
**BG-9000 Varna**  
Tel. 00359 52 739 038



Περιεχόμενα	Σελίδα
1. Εισαγωγή .....	59
2. Υποδείξεις ασφαλείας .....	59-62
3. Περιγραφή της συσκευής .....	62
4. Συμπαράδιδόμενα .....	62
5. Σωστή χρήση.....	63
6. Τεχνικά χαρακτηριστικά .....	63-64
7. Πριν τη θέση σε λειτουργία.....	64-65
8. Θέση σε λειτουργία.....	65-66
9. Αντικατάσταση του αγωγού σύνδεσης με το δίκτυο .....	67
10. Καθαρισμός, συντήρησης, παραγγελία ανταλλακτικών .....	67
11. Διάθεση στα απορρίμματα και ανακύκλωση .....	67-68
12. Δήλωση Συμμόρφωσης.....	69
13. Εγγύηση.....	70

Η ανατύπωση ή άλλη αναπαραγωγή τεκμηριώσεων και συνοδευτικών φυλλαδίων των προϊόντων της εταιρείας, ακόμη και σε αποσπάσματα, επιτρέπεται μόνο μετά από ρητή έγκριση της εταιρείας ISC GmbH.

Ο κατασκευαστής διατηρεί το δικαίωμα τεχνικών αλλαγών

GR/  
CY**Πρόσθετες υποδείξεις**

„Προειδοποίηση – Για τη μείωση του κινδύνου τραυματισμού διαβάστε την Οδηγία χρήσης“

**Να φοράτε ωτοπροστασία.**

Η επίδραση θορύβου μπορεί να προκαλέσει την απώλεια της ακοής.

**Να φοράτε προστασία κατά της σκόνης.**

Κατά την επεξεργασία ξύλου και άλλων υλικών μπορεί να σχηματισθεί σκόνη που βλάπτει την υγεία σας. Δεν επιτρέπεται η επεξεργασία υλικών που περιέχουν αμίαντο!

**Να φοράτε προστατευτικά γυαλιά.**

Κατά τη διάρκεια της εργασίας δημιουργούνται σπινθήρες ή πετιούνται μικρά τεμάχια από τη συσκευή, ροκανίδια και σκόνες. Συνέπεια μπορεί να είναι η απώλεια της όρασής σας.

1



2



Προς αποφυγή βλάβης της συσκευής να γίνεται η αλλαγή μεταξύ των μεμονωμένων λειτουργιών μόνο κατά την ακινητοποίηση.

## 1. Εισαγωγή

### ⚠ Προσοχή!

Κατά τη χρήση των συσκευών πρέπει να λαμβάνονται ορισμένα μέτρα ασφαλείας προς αποφυγή τραυματισμών και ζημιών. Για το λόγο αυτό παρακαλούμε να διαβάσετε προσεκτικά αυτή την Οδηγία χρήσης. Φυλάξτε την καλά για να έχετε τις πληροφορίες στη διάθεσή σας ανά πάσα στιγμή. Εάν δώσατε τη συσκευή σε άλλα άτομα, παρακαλούμε να τους παραδώσετε και αυτή την Οδηγία χρήσης. Δεν αναλαμβάνουμε καμία ευθύνη για ατυχήματα που οφείλονται στη μη τήρηση αυτής της Οδηγίας και των υποδείξεων ασφαλείας.

## 2. Υποδείξεις ασφαλείας

### ⚠ ΠΡΟΣΟΧΗ!

**Διαβάστε όλες τις Υποδείξεις ασφαλείας και τις Οδηγίες.**

Εάν δεν ακολουθήσετε τις Υποδείξεις ασφαλείας και τις Οδηγίες δεν αποκλείονται ηλεκτροπληξία, πυρκαγιά και/ή σοβαροί τραυματισμοί.

**Φυλάξτε προσεκτικά όλες τις Υποδείξεις ασφαλείας και τις Οδηγίες για το μέλλον.**

Ο όρος „Ηλεκτρικό εργαλείο“ που αναφέρεται στις Υποδείξεις ασφαλείας αναφέρεται στα εργαλεία που λειτουργούν με ρεύμα δικτύου (με καλώδιο) και στα εργαλεία που λειτουργούν με μπαταρία (χωρίς καλώδιο).

### 1. Ασφάλεια στην θέση εργασίας

- **Να διατηρείτε τη θέση εργασίας σας καθαρή και καλά φωτισμένη.** Όταν δεν υπάρχει τάξη ή επαρκής φωτισμός δεν μπορούν να αποκλειστούν ατυχήματα.
- **Μην εργάζεστε με τη συσκευή αυτή σε εκρηκτικό περιβάλλον, στο οποίο βρίσκονται εύφλεκτα υγρά, αέρια και σκόνες.**  
Τα ηλεκτρικά εργαλεία δημιουργούν σπινθήρες που μπορούν να αναφλέξουν τη σκόνη ή τους ατμούς.

- **Κατά τη διάρκεια της εργασίας με τα ηλεκτρικά εργαλεία να κρατάτε παιδιά και άλλα άτομα μακριά από το χώρο εργασίας.**  
Σε περίπτωση που δεν είστε καλά συγκεντρωμένος/η μπορείτε να χάσετε τον έλεγχο επί της συσκευής.

### 2. ΗΛΕΚΤΡΙΚΗ ΑΣΦΑΛΕΙΑ

- **Το φως της συσκευής πρέπει να ταιριάζει στη πρίζα. Με κανένα τρόπο δεν επιτρέπεται οποιαδήποτε μεταβολή στο φως.**  
Μη χρησιμοποιείτε φως με αντάπτορες μεζί με γειωμένες συσκευές. Αμετάβλητα φως και πρίζες που ταιριάζουν μειώνουν τον κίνδυνο μίας ηλεκτροπληξίας.
- **Να αποφεύγετε την επαφή του σώματος με γειωμένες επιφάνειες, όπως σωλήνες, θερμάνσεις, εστίες κουζίνας και ψυγεία.**  
Όταν το σώμα σας είναι γειωμένο, αυξάνεται ο κίνδυνος ηλεκτροπληξίας.
- **Μην εκθέτετε τη συσκευή σε βροχή ή υγρασία.**  
Όταν διεισδύσει νερό σε μία ηλεκτρική συσκευή, αυξάνεται ο κίνδυνος ηλεκτροπληξίας.
- **Μην χρησιμοποιείτε το καλώδιο για σκοπό για τον οποίο δεν προορίζεται, δηλαδή για να κρατάτε τη συσκευή από το καλώδιο ή για να τραβήξετε το φως απ' στη πρίζα.**  
Να προφυλάσσετε το καλώδιο από υψηλές θερμοκρασίες, λάδι, αιχμηρές γωνίες ή από κινούμενα τμήματα της συσκευής. Ελαττωματικά ή μπερδεμένα καλώδια αυξάνουν τον κίνδυνο μίας ηλεκτροπληξίας.
- **Εάν εργάζεστε με ηλεκτρική συσκευή στο ύπαιθρο, να χρησιμοποιείτε μόνο μπαλαντέζες που είναι κατάλληλε και για τη χρήση στο ύπαιθρο.**  
Με τη χρήση μπαλαντέζα κατάλληλης για χρήση στο ύπαιθρο μειώνετε τον κίνδυνο ηλεκτροπληξίας.
- **Εάν δεν μπορείτε να αποφύγετε τη λειτουργία ηλεκτρικών συσκευών σε υγρό περιβάλλον, να χρησιμοποιείτε διακόπτη ασφαλείας.**  
Η χρήση ενός διακόπτη ασφαλείας μειώνει

τον κίνδυνο ηλεκτροπληξίας.

### 3. ΑΣΦΑΛΕΙΑ ΠΡΟΣΩΠΩΝ

- **Να είστε προσεκτικοί και να προσέχετε καλά, τι κάνετε. Να χρησιμοποιείτε συνετά την ηλεκτρική σας συσκευή.**  
Μη χρησιμοποιείτε τη συσκευή όταν είστε κουρασμένοι ή υπό την επιρροή ναρκωτικών, αλκοολούχων ποτών ή φαρμάκων. Μόνο μία στιγμιαία απροσεξία κατά τη χρήση της ηλεκτρικής σας συσκευής, μπορεί να έχει σαν συνέπεια σοβαρούς τραυματισμούς.
- **Να φοράτε τον ατομικό σας προστατευτικό εξοπλισμό και πάντα προστατευτικά γυαλιά.**  
Η χρήση προσωπικού προστατευτικού εξοπλισμού όπως μάσκα κατά της σκόνης, αντιολισθητικά υποδήματα ασφαλείας, προστατευτικό κράνος ή ωτοπροστασία μειώνουν, ανάλογα με τη χρήση της ηλεκτρικής σας συσκευής, τον κίνδυνο τραυματισμών.
- **Να αποφεύγετε αθέλητη θέση σε λειτουργία. Σιγουρευτείτε πως το ηλεκτρικό εργαλείο είναι απενεργοποιημένο πριν το συνδέσετε με την παροχή ρεύματος και/ή συνδέσετε το συσσωρευτή, πριν το σηκώσετε και πριν το μεταφέρετε.**  
Σιγουρευθείτε πως ο διακόπτης βρίσκεται στη θέση AUS (σβησμένος), προτού βάλετε το φινις στη πρίζα. Όταν έχετε το δάκτυλό σας στο διακόπτη όταν μεταφέρετε τη συσκευή ή εάν η συσκευή είναι αναμμένη όταν τη συνδέετε με την παροχή του ρεύματος, δεν αποκλείονται τραυματισμοί.
- **Προτού ανάψετε τη συσκευή να απομακρύνετε τα εργαλεία ρύθμισης ή τα κλειδιά.**  
Εργαλεία ρύθμισης ή κλειδιά που βρίσκονται σε ένα περιστρεφόμενο τμήμα της συσκευής, μπορούν να έχουν τραυματισμούς σαν συνέπεια.
- **Να αποφεύγετε τη μη φυσιολογική στάση του σώματος. Φροντίστε να στέκεστε σταθερά και να κρατάτε πάντα την ισορροπία σας.**

Με τον τρόπο αυτό έχετε τη δυνατότητα να ελέγχετε τη συσκευή καλύτερα σε ανεπάντεχες περιστάσεις.

- **Να φοράτε κατάλληλα ρούχα. Μη φοράτε πολύ φαρδιά ρούχα ή κοσμήματα.**  
Τα μαλλιά σας, τα ρούχα σας και τα γάντια να βρίσκονται πάντα μακριά από περιστρεφόμενα τμήματα. Φαρδιά ρούχα, κοσμήματα ή μακριά μαλλιά μπορούν να πιαστούν από κινούμενα τμήματα της συσκευής.
  - **Εάν είναι δυνατόν να συνδεθούν στη συσκευή συστήματα αναρρόφησης σκόνης και περισυλλογής της σκόνης, σιγουρευθείτε, πως είναι σωστά συνδεδεμένα και μπορούν να χρησιμοποιηθούν κατά τον ορθό τρόπο.**  
Η χρήση συστήματος αναρρόφησης της σκόνης μπορεί να μειώσει κινδύνους από σκόνη.
- ### 4. Χρήση και χειρισμός του ηλεκτρικού εργαλείου
- **Μην υπερφορτώνετε τα ηλεκτρικά σας εργαλεία.**  
Να χρησιμοποιείτε για την εργασία σας πάντα τη συσκευή που είναι κατάλληλη. Με την κατάλληλη συσκευή εργάζεστε καλύτερα και ασφαλέστερα στο αναφερόμενο πεδίο ισχύος.
  - **Μη χρησιμοποιείτε ηλεκτρικές συσκευές, ο διακόπτης των οποίων είναι ελαττωματικός.**  
Ένα ηλεκτρικό εργαλείο που δεν μπορείτε να το ανάψετε ή να το σβήσετε είναι επικίνδυνο και πρέπει να επισκευαστεί.
  - **Βγάλτε το βύσμα από την πρίζα και/ή αφαιρέστε το συσσωρευτή προτού κάνετε τις ρυθμίσεις στη συσκευή, πριν αλλάξετε εξαρτήματα ή πριν ακουμπήσετε κάπου τη συσκευή.**  
Με αυτό το μέτρο ασφαλείας αποφεύγετε μία αθέλητη εκκίνηση της συσκευής.
  - **Να φυλάγετε μη χρησιμοποιούμενα εργαλεία μακριά από παιδιά. Μη αφήνετε άλλα πρόσωπα που δεν είναι εξοικειωμένα με τη συσκευή, ή που δεν έχουν διαβάσει τις Οδηγίες, να την χρησιμοποιήσουν.**

Οι ηλεκτρικές συσκευές είναι επικίνδυνες, όταν χρησιμοποιούνται από μη πεπειραμένα άτομα.

- **Να περιποήστε προσεκτικά τα εργαλεία σας. Να ελέγχετε τακτικά εάν κινούνται ελεύθερα τα κινούμενα τμήματα και εάν δεν μπλοκάρουν, εάν έχουν σπάσει εξαρτήματα, εάν παρεμποδίζεται η λειτουργία της συσκευής.**

Πριν τη χρήση να δώσετε τη συσκευή για να επισκευαστούν τα ελαττωματικά εξαρτήματα.

- **Να κρατάτε τα κοπτικά εργαλεία καθαρά και ακονισμένα.**

Προσεκτικά περιποιημένα εργαλεία κοπής με ακονισμένες άκρες κοπής μπλοκάρουν λιγότερο και οδηγούνται πιο εύκολα.

- **Να χρησιμοποιείτε τα ηλεκτρικά εργαλεία, τα εξαρτήματά τους κλπ. μόνο σύμφωνα με αυτές τις οδηγίες. Να λάβετε υπόψη σας τις συνθήκες εργασίας και το είδος της εργασίας σας.**

σύμφωνα με τις Οδηγίες αυτές και ακριβώς έτσι όπως προδιαγράφεται για τον ειδικό τύπο της συσκευής. Να λάβετε υπόψη σας τις συνθήκες εργασίας και την εργασία που πρέπει να εκτελέσετε. Η χρήση ηλεκτρικών εργαλείων για άλλο σκοπό από αυτόν για τον οποίο προορίζονται, μπορεί να έχει σοβαρές συνέπειες.

##### 5. Σέρβις

- **Αφήστε να επισκευαστεί η συσκευή σας μόνο από ειδικευμένο προσωπικό και να σιγουρευθείτε πως θα χρησιμοποιηθούν μόνο γνήσια ανταλλακτικά.**

Με τον τρόπο αυτό εξασφαλίζεται η ασφάλεια του ηλεκτρικού εργαλείου.

##### Υποδείξεις ασφαλείας για σκαπτικά περιστροφικά πιστολέτα

- **Να χρησιμοποιείτε ηχοπροστασία.** Η επίδραση του θορύβου μπορεί να προκαλέσει την απώλεια της ακοής.
- **Να χρησιμοποιείτε τις πρόσθετες χειρολαβές που συμπαράδονται με τη συσκευή.** Η απώλεια του ελέγχου επί

της μηχανής μπορεί να προκαλέσει τραυματισμούς.

- **Να κρατάτε τη συσκευή μόνο στις μονωμένες λαβές όταν εκτελείτε εργασίες στις οποίες το κοπτικό εργαλείο θα μπορούσε να κτυπήσει επάνω σε κρυφά καλώδια ηλεκτρικού ρεύματος ή στο ίδιο το καλώδιο της συσκευής.** Η επαφή με αγωγό ρεύματος μπορεί να θέσει και τα μεταλλικά τμήματα της συσκευής υπό τάση και προκαλεί ηλεκτροπληξία.

##### Ειδικές υποδείξεις ασφαλείας

- Ελέγξτε την στην ετικέτα της συσκευής αναγραφόμενη τάση (βολτ).
- Σε περίπτωση χρήσης συστημάτων τύλιξης καλωδίου, να ξετυλίξετε πλήρως το καλώδιο. Ελάχιστη διατομή σύρματος 1,5mm<sup>2</sup>.
- Προσέξτε σε περίπτωση που χρησιμοποιείτε το τρυπάνι σε σκάλες ή σκαλωσιές να είναι καλά στερεωμένες οι σκάλες και οι σκαλωσιές.
- Σε περίπτωση τοίχων όπου βρίσκονται εντοιχισμένα καλώδια και αγωγοί ρεύματος, νερού και αερίου, να εντοπίζετε πρώτα τα καλώδια αυτά με την σχετική συσκευή εντοπισμού. Να αποφεύγετε την επαφή με τμήματα ή αγωγούς παροχής ρεύματος.
- Για την προστασία της ακοής σας να φοράτε ηχοπροστασία: κίνδυνος βαθμηδόν εισβάλλουσας απώλειας της ακοής!
- Να φοράτε προστατευτικά γιαλιά και σε περίπτωση εργασίας κατά τη διάρκεια της οποίας δημιουργείται σκόνη, και μάσκα αναπνοής.
- Να μη χρησιμοποιείτε τη συσκευή κοντά σε αέρια και εύφλεκτα υγρά.
- Όταν εκτελείτε εργασίες επισκευής και καθαρισμού να βγάξετε το φως από τη πρίζα.
- Να προστατεύετε το καλώδιο από βλάβες. Λάδι και οξέα είναι δυνατόν να επιφέρουν βλάβες στο καλώδιο.
- Μην υπερφορτώνετε τη μηχανή.
- Προσοχή!

GR/  
CY

Να ακολουθείτε όλες τις εθνικές προδιαγραφές ασφαλείας ως προς την εγκατάσταση, λειτουργία και συντήρηση.

- Δεν αποκλείεται να ξετιναχθούν από το εργαλείο η σμίλη και το τρυπάνι προξενώντας σοβαρά τραύματα:
  - Πριν την έναρξη της εργασίας να ελέγχετε, εάν είναι καλά στερωμένη η σμίλη και το τρυπάνι
  - να ελέγχετε τακτικά το σύστημα στερέωσης των εξαρτημάτων ως προς ενδεχόμενες φθορές και βλάβες.
- Να εκκινείτε μία κρουστική συσκευή μόνο όταν το πιέζετε επί του κατεργαζόμενου αντικειμένου (τοίχος, ταβάνι κλπ.).
- Μετά τη λήξη της εργασίας να βγάζετε το φως της αερόσφυρας από την πρίζα και να απομακρύνετε τη σμίλη ή το τρυπάνι.
- Πριν αλλάξετε τη σμίλη ή το τρυπάνι, να βγάζετε το φως από την πρίζα.
- Να προστατεύετε τα μάτια σας και συνεργάτες από εκσφενδονιζόμενα τεμάχια και αποχωριζόμενα αντικείμενα.
- Να φοράτε προστατευτικό κράνος! Να τοποθετείτε διαχωριστικούς τοίχους!
- Τα προστατευτικά γάντια εργασίας προστατεύουν τα χέρια από εκδορές.
- Οι δονήσεις μπορούν να προξενήσουν βλάβη στο σύστημα βραχίονος-χεριού: οι δονήσεις να διαρκούν όσο λιγότερο γίνεται.
- Το καλώδιο να βρίσκεται πάντα πίσω από τη συσκευή.
- Η συσκευή να φυλάσσεται μακριά από παιδιά.
- Όταν εργάζεστε να κρατάτε τη συσκευή πάντα και με τα δύο χέρια και να προσέχετε να στέκεστε σταθερά.

**Φυλάξτε καλά τις υποδείξεις αυτές.**

### 3. Περιγραφή της συσκευής (εικ. 1)

1. Προστασία από σκόνη
2. Δακτύλιος μανταλώματος
3. Πρόσθετη χειρολαβή
4. Βίδα στερέωσης για οδηγό βάθους
5. Διακόπτης αλλαγής τρυπάνι/κρουστικό τρυπάνι/σμίλευση
6. Χειρολαβή
7. Μετατροπή δεξιόστροφης-αριστερόστροφης λειτουργίας
8. Κουμπί ασφάλισης
9. Ρυθμιστής αριθμού στροφών
10. Διακόπτης ενεργοποίησης/απενεργοποίησης
11. Ένδειξη λειτουργίας
12. Ένδειξη φθοράς ψηκτρών
13. Οδηγός βάθους
14. Πρόσθετη υποδοχή ταχυσύσφιξης
15. Σύστημα υποδοχής συστήματος συλλογής σκόνης

### 4. Συμπαραδιδόμενα

Αφαιρέστε όλα τα τμήματα από τη συσκευασία και ελέγξτε την πληρότητά τους.

- Πιστολέτο πνευματικό PBH 1100 A1
- Πρόσθετη χειρολαβή
- Οδηγός βάθους
- Δράπανο για πέτρα (6, 8, 10 χιλ.)
- Μυτερή σμίλη, πλακέ σμίλη
- πρόσθετη υποδοχή ταχυσύσφιξης
- Σύστημα υποδοχής συστήματος συλλογής σκόνης
- Οδηγία χρήσης


## 5. Σωστή χρήση

Η συσκευή προορίζεται για εργασίες με σφυροτρύπανο σε μπετόν, πέτρα και τούβλα και για εργασίες σμίλευσης με χρήση του ανάλογου τρυπανιού ή της ανάλογης σμίλης.

Η μηχανή επιτρέπεται να χρησιμοποιηθεί μόνο για τον σκοπό για τον οποίο προορίζεται. Κάθε πέραν τούτου χρήση δεν ανταποκρίνεται στο σκοπό για τον οποίο προορίζεται. Για βλάβες που οφείλονται σε παρόμοια χρήση ή για τραυματισμούς παντός είδους ευθύνεται ο χρήστης/χειριστής και όχι ο κατασκευαστής.

Παρακαλούμε να προσέξετε πως οι συσκευές μας δεν προορίζονται και δεν έχουν κατασκευαστεί για επαγγελματική, βιοτεχνική ή βιομηχανική χρήση. Δεν αναλαμβάνουμε εγγύηση σε περίπτωση κατά την οποία η συσκευή χρησιμοποιήθηκε σε συνεργεία, βιοτεχνίες ή στη βιομηχανία ή σε εργασίες παρόμοιες με αυτές.

## 6. Τεχνικά χαρακτηριστικά

Τάση δικτύου:	230-240V~ 50Hz
Απορρόφηση ισχύος:	1050 W
Αριθμός στροφών ραλεντί:	0-1100 min <sup>-1</sup>
Αριθμός κρούσεων:	0-5100 min <sup>-1</sup>
Απόδοση σε μπετόν/πέτρα (μέγ.):	Ø 26 mm
Κλάση προστασίας:	II / 
Βάρος:	3,6 kg

## Θόρυβος και δονήσεις

Οι τιμές θορύβων και δονήσεων διαπιστώθηκαν σύμφωνα με το πρότυπο EN 60745.

Στάθμη ηχητικής πίεσης L <sub>pA</sub>	91,8 dB(A)
Αβεβαιότητα K <sub>pA</sub>	3 dB
Στάθμη ηχητικής ισχύος L <sub>WA</sub>	102,8 dB(A)
Αβεβαιότητα K <sub>WA</sub>	3 dB

Η συσκευή δεν προορίζεται για χρήση στο ύπαιθρο σύμφωνα με το άρθρο 3 της Οδηγίας 2000/14/EC\_2005/88/EC.

### Να χρησιμοποιείτε ηχοπροστασία.

Η επίδραση θορύβου μπορεί να έχει σαν συνέπεια την απώλεια της ακοής. Συνολικές τιμές ταλαντώσεων (σύνολο διανυσμάτων τριών κατευθύνσεων) σύμφωνα με το πρότυπο EN 60745.

### Λειτουργία σφυροτρύπανου σε μπετόν

Συντελεστής εκπομπής ταλαντώσεων  
a<sub>n</sub> = 15,81 m/s<sup>2</sup>  
Αβεβαιότητα K = 1,5 m/s<sup>2</sup>

### Σμίλευση

Συντελεστής εκπομπής ταλαντώσεων  
a<sub>n</sub> = 15,668 m/s<sup>2</sup>  
Αβεβαιότητα K = 1,5 m/s<sup>2</sup>

### Προσοχή!

Η αναφερόμενη τιμή μετάδοσης δόνησης μετρήθηκε βάσει τυποποιημένης μεθόδου ελέγχου και μπορεί να μεταβληθεί ή και σε εξαιρετικές περιπτώσεις να κυμαίνεται άνω της αναφερόμενης τιμής, ανάλογα από τον τρόπο χρήσης του ηλεκτρικού εργαλείου.

Η αναφερόμενη μετάδοση δονήσεων μπορεί να χρησιμοποιηθεί και για σύγκριση με άλλο ηλεκτρικό εργαλείο.

Η αναφερόμενη τιμή μετάδοσης δόνησης μπορεί επίσης να χρησιμοποιηθεί και για αρχική εκτίμηση της έκθεσης.



## Περιορίστε την δημιουργία θορύβου και τις δονήσεις στο ελάχιστο!

- Να χρησιμοποιείτε μόνο συσκευές σε άψογη κατάσταση.
- Να συντηρείτε και να καθαρίζετε τακτικά τη συσκευή.
- Να προσαρμόζετε στη συσκευή τον τρόπο εργασίας σας.
- Προσέξτε να μην υπερφορτώνετε τη συσκευή.
- Αφήστε τη συσκευή νδεχομένως να ελεγχθεί από ειδικό τεχνίτη.
- Να απενεργοποιείτε τη συσκευή όταν δεν την χρησιμοποιείτε.
- Να φοράτε γάντια.

## 7. Πριν τη θέση σε λειτουργία

### ⚠ Προσοχή!

Πριν τη σύνδεση σιγουρευτείτε πως τα στοιχεία στην ετικέτα του συμφωνούν με τα στοιχεία του δικτύου.

Πριν κάνετε ρυθμίσεις στη συσκευή να βγάζετε πάντα το βύσμα από την πρίζα.

Με συσκευή ανίχνευσης αγωγών εξετάστε το σημείο στο οποίο θα εργαστείτε για ενδεχόμενους αγωγούς, σωλήνες αερίου ή νερού που δεν φαίνονται.

### 7.1 Πρόσθετη λαβή (εικ. 2 – αρ. 3)

**Για λόγους ασφαλείας να χρησιμοποιείτε τη συσκευή μόνο με την πρόσθετη χειρολαβή.**

Η πρόσθετη χειρολαβή (3) σας προσφέρει κατά τη διάρκεια λειτουργίας της συσκευής πρόσθετη υποστήριξη. Για το λόγο αυτό μη χρησιμοποιείτε τη συσκευή χωρίς πρόσθετη χειρολαβή (3). Η πρόσθετη χειρολαβή (3) στερεώνεται στη μηχανή με σύσφιξη.

Περιστρέφοντας δεξιόστροφα την πρόσθετη χειρολαβή (3), εκτελείται η σύσφιξη.

Περιστρέφοντας αριστερόστροφα, ανοίγει η σύσφιξη.

- Πρέπει πρώτα να τοποθετηθεί η συμπαραδιδόμενη πρόσθετη χειρολαβή (3). Για το σκοπό αυτό να ανοίξετε το

σύστημα σύσφιξης με περιστροφή της πρόσθετης χειρολαβής (3) αρκετά, ώστε να μπορεί να εισαχθεί η πρόσθετη χειρολαβή (3) μέσω της συσκευής.

- Μετά την εισαγωγή της πρόσθετης χειρολαβής (3), περιστρέψτε την στην για σας πιο άνετη θέση εργασίας.
- Τώρα στρίψτε την πρόσθετη χειρολαβή (3) στην αντίθετη κατεύθυνση, μέχρι να είναι καλά στερεωμένη η πρόσθετη χειρολαβή (3).
- Η πρόσθετη χειρολαβή (3) είναι κατάλληλη τόσο για δεξιόχειρες, όσο και για αριστερόχειρες.

### 7.2 Οδηγός βάθους (εικ. 3 – αρ. 13)

Ο οδηγός βάθους (13) συγκρατείται με τη βίδα στερέωσης (4) από την πρόσθετη χειρολαβή (3) με σύσφιξη.

- Χαλαρώστε τη βίδα στερέωσης (4) και τοποθετήστε τον οδηγό βάθους (13).
- Φέρτε τον οδηγό βάθους (13) στο ίδιο επίπεδο όπως το δράπανο.
- Τραβήξτε τον οδηγό βάθους (13) στο επιθυμούμενο βάθος προς τα πίσω.
- Κατόπιν σφίγγετε πάλι τη βίδα στερέωσης (4).
- Κάντε τώρα την τρύπα, μέχρι να ακουμπήσει ο οδηγός βάθους (13) το κατεργαζόμενο αντικείμενο.
- Ο οδηγός βάθους (13) διαθέτει κλιμάκωση ασφάλισης που εμποδίζει κατά τη χρήση την μετατόπιση του οδηγού βάθους (13).

### 7.3 Τοποθέτηση εργαλείου (εικ. 4)

- Καθαρίστε το εργαλείο πριν τη χρήση και λιπάντε ελφαιρά το στέλεχος του εργαλείου.
- Τραβήξτε προς τα πίσω το δακτύλιο μανδάλωσης (2) και κρατήστε τον.
- Σπρώξτε περιστρέφοντας το καθαρισμένο από σκόνη εργαλείο στην υποδοχή του μέχρι το τέρμα. Το εργαλείο αυτοκλειδώνεται αφού αφεθεί ελεύθερο το κάλυμμα κλειδώματος.
- Ελέγξτε την ασφάλιση με τράβηγμα του εργαλείου.



**7.4 Αφαίρεση εργαλείου (εικ. 5)**

Τραβήξτε προς τα πίσω το δακτύλιο μανδάλωσης (2), κρατήστε τον και αφαιρέστε το εργαλείο.

**7.5 Σύστημα υποδοχής συστήματος συλλογής σκόνης (εικ. 8)**

Πριν από εργασίες σφυροτύπανου πάνω από το κεφάλι σας, περάστε το σύστημα συλλογής σκόνης (15) πάνω από το τρυπάνι.

**7.6 Τοποθέτηση πρόσθετης υποδοχής ταχυσύσφιξης (εικ. 4)**

- Πριν την τοποθέτηση καθαρίστε την υποδοχή ταχυσύσφιξης (14) και λιπάντε ελαφρά το στέλεχος της υποδοχής ταχυσύσφιξης με λιπαντικό τρυπανιού.
- Τραβήξτε προς τα πίσω το δακτύλιο μανδάλωσης (2) και κρατήστε τον.
- Σπρώξτε μέσα στην υποδοχή του κατεργαζόμενου αντικειμένου μέχρι το τέρμα την ελεύθερη από σκόνη υποδοχή ταχυσύσφιξης (14) περιστρέφοντάς την. Η υποδοχή ταχυσύσφιξης (14) αυτοκλειδώνεται αφού αφεθεί ελεύθερο το ν δακτύλιο κλειδώματος.
- Ελέγξτε το σωστό κλείδωμα με τράβηγμα στην υποδοχή ταχυσύσφιξης (14).

**7.7 Αφαίρεση της πρόσθετης υποδοχής ταχυσύσφιξης (εικ. 5)**

Τραβήξτε προς τα πίσω το δακτύλιο μανδάλωσης (2), κρατήστε τον και αφαιρέστε το εργαλείο.

**7.8 Τοποθέτηση του δράπανου στην υποδοχή ταχυσύσφιξης (εικ. 6-7)****⚠ Προσοχή!**

- Πριν κάνετε ρυθμίσεις στη συσκευή να βγάξετε πάντα το βύσμα από την πρίζα.
- Λασκάρετε τον οδηγό βάθους (13) όπως περιγράφεται στο 7.2 και σπρώξτε στην κατεύθυνση της λαβής του τρυπανιού. Έτσι είναι δυνατή η ελεύθερη πρόσβαση στην υποδοχή του τρυπανιού (14).
- Ανοίξτε την υποδοχή (14). Το άνοιγμα της υποδοχής πρέπει να είναι αρκετά μεγάλο για να υποδεχθεί το τρυπάνι.
- Επιλέξτε το κατάλληλο τρυπάνι. Σπρώξτε το εργαλείο όσο πιο βαθιά γίνεται μέσα

στο άνοιγμα της υποδοχής.

- Κλείστε την υποδοχή (14). Ελέγξτε εάν είναι καλά στερεωμένο το τρυπάνι στην υποδοχή (14).
- Να ελέγχετε σε τακτικά διαστήματα τη σωστή στερέωση του τρυπανιού ή του εργαλείου (βγάλτε το βύσμα από την πρίζα!).

**8. Θέση σε λειτουργία****⚠ Προσοχή!**

**Προς αποφυγή κινδύνου να κρατάτε τη μηχανή μόνο από τις δύο χειρολαβές (3/6)! Διαφορετικά υφίσταται κίνδυνος ηλεκτροπληξίας σε περίπτωση που τρυπήσετε αγωγούς!**

**8.1 Ένδειξη λειτουργίας (εικ. 1/αρ. 11)**

Όταν το βύσμα συνδέεται με το ρεύμα είναι αναμμένη η ένδειξη λειτουργίας (11).

**8.2 Διακόπτης ενεργοποίησης /απενεργοποίησης (εικ. 9/αρ. 10)**

- Βάλτε πρώτα το κατάλληλο τρυπάνι στη συσκευή (βλέπε 7.3).
- Συνδέστε πρώτα το βύσμα με κατάλληλη πρίζα.
- Ακουμπήστε το κρουστικό δράπανα ακριβώς στο σημείο που θέλετε να κάνετε τρύπα.

**Ενεργοποίηση:**

Πιέστε το διακόπτη ενεργοποίησης/απενεργοποίησης (10)

**Απενεργοποίηση:**

Αφήστε ελεύθερο τον διακόπτη ενεργοποίησης/απενεργοποίησης (10)

**Ενεργοποίηση της συνεχούς λειτουργίας:**

Με το κουμπί ακινητοποίησης (8) ασφαλίστε το διακόπτη ενεργοποίησης/απενεργοποίησης (10).

**Προσοχή!** Η ασφάλιση είναι δυνατή μόνο με δεξιόστροφη λειτουργία.

**Απενεργοποίηση της συνεχούς λειτουργίας:**

Πιέστε σύντομα το διακόπτη ενεργοποίησης/απενεργοποίησης (10).

**8.3 Ρύθμιση του αριθμού στροφών (εικ. 9/αρ. 10)**

- Μπορείτε να ρυθμίσετε τον αριθμό στροφών αδιαβάθμητα κατά τη διάρκεια της λειτουργίας.
- Με περισσότερη ή λιγότερη πίεση του διακόπτη ενεργοποίησης/απενεργοποίησης (10) επιλέγετε τον αριθμό στροφών.
- Επιλογή του σωστού αριθμού στροφών: Ο ιδανικός αριθμός στροφών εξαρτάται από το είδος του κατεργαζόμενου αντικείμενου, από το είδος λειτουργίας και το χρησιμοποιούμενο τρυπάνι.
- Χαμηλή πίεση στον διακόπτη ενεργοποίησης/απενεργοποίησης (10) σημαίνει χαμηλό αριθμό στροφών
- Μεγαλύτερη πίεση στον διακόπτη ενεργοποίησης/απενεργοποίησης (10) σημαίνει μεγαλύτερο αριθμό στροφών

**Συμβουλή:** Αρχίστε το τρύπημα με χαμηλό αριθμό στροφών. Αυξήστε βαθμηδόν τον αριθμό στροφών.

**Τα πλεονεκτήματα:**

- Το δράπανο ελέγχεται στην αρχή πιο εύκολα και δεν γλιστράει.
- Έτσι αποφεύγετε τρύπες με ξεφλουδισμένα χείλη (π.χ. σε πλακάκια τούχου).

**8.4 Προεπιλογή του αριθμού στροφών (εικ. 9/αρ. 9)**

- Μην κάνετε τη ρύθμιση αυτή κατά τη διάρκεια της λειτουργίας της συσκευής.
- Ο ρυθμιστής αριθμού στροφών (9) σας επιτρέπει να προσδιορίσετε τον μέγιστο αριθμό στροφών. Ο διακόπτης ενεργοποίησης/απενεργοποίησης (10) μπορεί να πιεσθεί μόνο μέχρι τον προεπιλεγμένο αριθμό στροφών.
- Ρυθμίστε τον αριθμό στροφών με τον δακτύλιο ρύθμισης (9) στον διακόπτη

ενεργοποίησης/απενεργοποίησης (10).

**8.5 Αλλαγή λειτουργίας δεξιόστροφα/αριστερόστροφα (εικ. 9/αρ. 7)**

- **Αλλαγή κατεύθυνσης λειτουργίας μόνο όταν η συσκευή είναι ακινητοποιημένη!**
- Με το διακόπτη αλλαγής δεξιόστροφης/αριστερόστροφης λειτουργίας (7) ρυθμίζετε την κατεύθυνση κίνησης του κρουστικού δράπανου.

**Κατεύθυνση κίνησης**      **Θέση διακόπτη**  
Δεξιόστροφη κίνηση      Πίεση αριστερά  
(προς τα εμπρός και τρύπημα)

Αριστερόστροφη κίνηση      Πίεση δεξιά  
(κίνηση προς τα πίσω)

**8.6 Διακόπτης αλλαγής τρυπάνι/κρουστικό τρυπάνι/σμίλευση (εικ. 10)**

- Για τη λειτουργία τρυπανιού πιέστε το κουμπί (E) στον διακόπτη μεταγωγής (5) και συγχρόνως στρίψτε τον διακόπτη μεταγωγής (5) στη θέση A.
- Για τη λειτουργία κρουστικού τρυπανιού πιέστε το κουμπί (E) στον διακόπτη μεταγωγής (5) και συγχρόνως στρίψτε τον διακόπτη μεταγωγής (5) στη θέση B.
- Για τη λειτουργία κρουστικού τρυπανιού πιέστε το κουμπί (E) στον διακόπτη μεταγωγής (5) και συγχρόνως στρίψτε τον διακόπτη μεταγωγής (5) στη θέση C. Στη θέση C η σμίλη δεν είναι ασφαλισμένη.
- Για τη λειτουργία σμίλης πιέστε το κουμπί (E) στον διακόπτη μεταγωγής (5) και συγχρόνως στρίψτε τον διακόπτη μεταγωγής (5) στη θέση D. Στη θέση D η σμίλη είναι ασφαλισμένη.

**Προσοχή!**

Για την εργασία κρουστικού τρυπανιού απαιτείται μόνο ελαφριά δύναμη πίεσης. Με πολύ δυνατή πίεση επιβαρύνετε άσκοπα τον κινητήρα. Να ελέγχετε τακτικά το τρυπάνι. Όταν το τρυπάνι δεν είναι ακονισμένο, να το ακονίζετε ή να αντικαθίσταται.

## 9. Αντικατάσταση του αγωγού σύνδεσης με το δίκτυο

Εάν πάθει βλάβη το καλώδιο σύνδεση της συσκευής με το δίκτυο, πρέπει προς αποφυγή κινδύνου, να αντικατασταθεί από τον κατασκευαστή ή το τμήμα του εξυπηρέτησης πελατών ή από παρόμοια εξειδικευμένο πρόσωπο.

## 10. Καθαρισμός, συντήρησης, παραγγελία ανταλλακτικών

### ⚠ Προσοχή!

Πριν από όλες τις εργασίες καθαρισμού να βγάξετε το φις από τη πρίζα.

### 10.1 Καθαρισμός

- Να τηρείτε τα συστήματα ασφαλείας, τις σχισμές αερισμού και το περιβλήμα του κινητήρα όσο πιο καθαρά από σκόνη γίνεται. Σκουπίστε τη συσκευή με καθαρό πανί ή φυσήξτε τη με πεπιεσμένο αέρα σε χαμηλή πίεση.
- Σας συνιστούμε να καθαρίζετε τη συσκευή μετά από κάθε χρήση.
- Να καθαρίζετε τη συσκευή μτακτικά με ένα υγρό πανί και λίγο μαλακό σαπούνι. Μη χρησιμοποιείτε καθαριστικά ή διαλύτες, διότι έτσι δεν αποκλείεται η διάβρωση της συσκευής. Να προσέχετε να μην εισέλθει νερό στο εσωτερικό της συσκευής.

### 10.2 Ψήκτρεις

Σε περίπτωση υπερβολικού σχηματισμού σπινθήρων ή φωτισμού της ένδειξης για φθορά στις ψήκτρεις (12) φροντίστε για έλεγχο των ψηκτρών από εξειδικευμένο ηλεκτρολόγο.

### 10.3 Συντήρηση

Στο εσωτερικό της συσκευής δεν βρίσκονται άλλα εξαρτήματα για τα οποία απαιτείται συντήρηση.

## 10.4 Παραγγελία ανταλλακτικών

Όταν παραγγέλλετε ανταλλακτικά να μη ξεχάσετε να αναφέρετε τα εξής στοιχεία:

- Τύπος συσκευής
- Αριθμός είδους της συσκευής
- Χαρακτηριστικός αριθμός (Ident Nr.) της συσκευής

Για ισχύουσες τιμές και πληροφορίες [www.isc-gmbh.info](http://www.isc-gmbh.info)

## 11. Διάθεση στα απορρίμματα και ανακύκλωση

Προς αποφυγή ζημιών κατά τη μεταφορά η συσκευή βρίσκεται σε μία συσκευασία. Η συσκευασία αυτή είναι πρώτη ύλη, μπορεί δηλαδή να επαναμεταχειριστεί ή να ανακυκλωθεί.

Ο συμπιεστής και τα εξαρτήματά του αποτελούνται από διαφορετικά υλικά, όπως π.χ. από μέταλλα και πλαστικά. Παρακαλούμε να διαθέτετε τα ελαττωματικά εξαρτήματα στα ειδικά και προβληματικά απορρίμματα. Εάν έχετε απορίες, ρωτήστε στο ειδικό σας κατάστημα ή στη διοίκηση του Δήμου σας.



Μόνο για χώρες της ΕΕ

Μη πετάτε ηλεκτρικές συσκευές στα οικιακά απορρίμματα.

Σύμφωνα με την Οδηγία 2002/96/EK για μεταχειρισμένες ηλεκτρικές και ηλεκτρονικές συσκευές και για την μετατροπή σε Εθνικό Δίκαιο πρέπει να συγκεντρώνονται χωριστά τα ηλεκτρικά εργαλεία και να ανακυκλώνονται.

GR/  
CY

Εναλλακτική λύση ανακύκλωσης αντί επιστροφής

Ο ιδιοκτήτης της ηλεκτρικής συσκευής υποχρεούται εναλλακτικά, αντί να επιστρέψει τη συσκευή, να συμβάλει στην σωστή διάθεση σε περίπτωση που δεν χρειάζεται πλέον τη συσκευή. Η μεταχειρισμένη συσκευή μπορεί να παραχωρηθεί σε Υπηρεσία απόσυρσης η οποία θα εκτελέσει την διάθεση του προϊόντος σύμφωνα με τις εθνικές προδιαγραφές ανακύκλωσης και απορριμμάτων. Δεν συμπεριλαμβάνονται τα εξαρτήματα ή βοηθητικά εξαρτήματα των μεταχειρισμένων συσκευών χωρίς ηλεκτρικά τμήματα.

## 12. Δήλωση Συμμόρφωσης

Einhell Germany AG · Wiesenweg 22 · D-94405 Landau/Isar



## Konformitätserklärung

- erklärt folgende Konformität gemäß EU-Richtlinie und Normen für Artikel  
 explains the following conformity according to EU directives and norms for the following product  
 déclare la conformité suivante selon la directive CE et les normes concernant l'article  
 dichiara la seguente conformità secondo la direttiva UE e le norme per l'articolo  
 verklaart de volgende overeenstemming conform EU richtlijn en normen voor het product  
 declara la siguiente conformidad a tenor de la directiva y normas de la UE para el artículo  
 declara a seguinte conformidade, de acordo com a directiva CE e normas para o artigo  
 atterer følgende overensstemmelse i medfør af EU-direktiv samt standarder for artikel  
 förklarar följande överensstämmelse enl. EU-direktiv och standarder för artikeln  
 vakuuttaa, että tuote täyttää EU-direktiivin ja standardien vaatimukset  
 tõendab toote vastavust EL direktiivile ja standarditele  
 vydává následující prohlášení o shodě podle směrnice EU a norem pro výrobek  
 potrjuje sledečo skladnost s smernico EU in standardi za izdelek  
 vydáva nasledujúce prehlásenie o zhode podľa smernice EÚ a noriem pre výrobok  
 a cikkekhez az EU-irányvonal és Normák szerint a következő konformitást jelenti ki  
 deklaruje zgodność wymienionego poniżej artykułu z następującymi normami na podstawie dyrektywy WE.  
 декларира съответното съответствие съгласно Директива на ЕС и норми за артикул  
 paskaidro šādu atbilstību ES direktīvai un standartiem  
 apibūdina šj atitikimą EU reikalavimams ir prekės normoms  
 declară următoarea conformitate conform directivei UE și normelor pentru articolul  
 δηλώνει την ακόλουθη συμμόρφωση σύμφωνα με την Οδηγία ΕΚ και τα πρότυπα για το προϊόν  
 potvrđuje sljedeću usklađenost prema smjernicama EU i normama za artikl  
 Izjava o sukladnosti za ovaj proizvod dostupna je na internet stranici www.lidl.hr.  
 potvrđuje sljedeću usklađenost prema smjernicama EU i normama za artikl  
 potvrđuje sledeću usklađenost prema smernicama EZ i normama za artikal  
 следующим удостоверяется, что следующие продукты соответствуют директивам и нормам ЕС  
 проголошує про зазначену нижче відповідність виробу директивам та стандартам ЄС на виріб  
 Ürünü ile ilgili AB direktifleri ve normları gereğince aşağıda açıklanan uygunluğu belirtir  
 erklærer følgende samsvar i henhold til EU-direktivet og standarder for artikkel  
 Lýsir uppfyllingu EU-reglna og annarra staða vöru

## Bohrhammer PBH 1100 A1 (Parkside)

- 87/404/EC\_2009/105/EC  
 2005/32/EC\_2009/125/EC  
 2006/95/EC  
 2006/28/EC  
 2004/108/EC  
 2004/22/EC  
 1999/5/EC  
 97/23/EC  
 90/396/EC\_2009/142/EC  
 89/686/EC\_96/58/EC  
 2006/42/EC  
 Annex IV  
 Notified Body:  
 Notified Body No.:  
 Reg. No.:  
 2000/14/EC\_2005/88/EC  
 Annex V  
 Annex VI  
 Noise: measured  $L_{WA}$  = dB (A); guaranteed  $L_{WA}$  = dB (A)  
 P = KW; L/Ø = cm  
 Notified Body:  
 2004/26/EC  
 Emission No.:

Standard references: EN 60745-1; EN 60745-2-6; EN 55014-1;  
EN 55014-2; EN 61000-3-2; EN 61000-3-3

Landau/Isar, den 07.09.2010

  
Weichselgartner/General Manager


  
Unger/Product-Management

First CE: 08  
 Art.-No.: 42.583.72 I.-No.: 11010  
 Subject to change without notice

Archive-File/Record: 4258395-42-4155050-08  
 Documents registrar: Georg Riedel  
 Wiesenweg 22, D-94405 Landau/Isar

# 13. ΕΓΓΥΗΣΗ

## Αξιότιμη πελάτισσα, αξιότιμε πελάτη,

Τα προϊόντα μας υπόκεινται σε αυστηρούς ελέγχους ποιότητας. Εάν παρ'όλα αυτά κάποτε δεν λειτουργήσουν άψογα, λυπούμαστε πολύ και σας παρακαλούμε να αποτανθείτε προς το τμήμαμας Εξυπηρέτησης Πελατών, στη διεύθυνση που αναφέρετε σε αυτή την εγγύηση. Ευχαρίστως σας βοηθήσουμε και τηλεφωνικώς στον αριθμό που αναφέρετε πιο κάτω. Για την κατίσχυση των αξιώσεων εγγύησης ισχύουν τα εξής:

1. Αυτοί οι όροι εγγύησης ρυθμίζουν πρόσθετες παροχές εγγύησης. Από την εγγύηση αυτή δεν θίγονται οι νόμιμες αξιώσεις σας για εγγύηση. Η παροχή της εγγύησής μας είναι για σας δωρεάν.
  2. Η εγγύηση καλύπτει αποκλειστικά και μόνο βλάβες που οφείλονται σε ελαττώματα υλικών ή παραγωγής και περιορίζονται στην αποκατάσταση αυτών των ελαττωμάτων ή την αντικατάσταση της συσκευής. Παρακαλούμε να προσέξετε πως οι συσκευές μας δεν προορίζονται για τη βιομηχανία, τη βιοτεχνία και την επαγγελματική χρήση. Για το λόγο αυτό δεν υφίσταται σύμβαση εγγύησης σε περίπτωση χρήσης της συσκευής στη βιομηχανία, βιοτεχνία, για επαγγελματικό ή άλλο παρόμοιο σκοπό. Από την εγγύησή μας αποκλείονται πέραν τούτου αποζημιώσεις για βλάβες μεταφοράς, βλάβες οφειλόμενες σε μη τήρηση της Οδηγίας συναρμολόγησης, ή σε εσφαλμένη εγκατάσταση, μη τήρηση της Οδηγίας χρήσης (π.χ. σύνδεση σε λάθος τάση δικτύου ή είδος ρεύματος), καταχρηστική ή όχι ορθή χρήση (π.χ. υπερφόρτωση ή χρήση μη εγκεκριμένων ανταλλακτικών εργαλείων ή εξαρτημάτων), μη τήρηση των Υποδείξεων συντήρησης και ασφαλείας, είσοδος ξένων αντικειμένων στη συσκευή (όπως π.χ. άμμος ή σκόνη), χρήση βίας ή εξωτερική επίδραση (όπως π.χ. βλάβες από πτώση) καθώς και βλάβες που οφείλονται σε κοινή φθορά.
- Η αξίωση εγγύησης εκπίπτει σε περίπτωση που έγιναν ήδη ξένες επεμβάσεις στη συσκευή.
3. Η διάρκεια της εγγύησης ανέρχεται σε 3 έτη και αρχίζει από την ημερομηνία αγοράς της συσκευής. Οι αξιώσεις εγγύησης πρέπει να κατισχυθούν πριν την πάροδο της προθεσμίας της εγγύησης εντός δύο εβδομάδων από την διαπίστωση του ελαττώματος. Αποκλείεται η κατίσχυση αξιώσεων εγγύησης μετά την πάροδο της προθεσμίας της εγγύησης. Η επισκευή ή η αντικατάσταση της συσκευής δεν συνεπάγεται ούτε την επέκταση της διάρκειας της εγγύησης ούτε την έναρξη νέας προθεσμίας εγγύησης για τη συσκευή ή τα ενδεχομένως τοποθετηθέντα εξαρτήματα. Το ίδιο ισχύει και σε περίπτωση σέρβις επί τόπου.
  4. Για την κατίσχυση της αξίωσης της εγγύησης σας παρακαλούμε να μας αποστείλετε τη συσκευή, χωρίς επιβάρυνσή μας με ταχυδρομικά τέλη, στην πιο κάτω αναφερόμενη διεύθυνση. Μη ξεχάσετε να επισυνάψετε το πρωτότυπο της απόδειξης αγοράς ή άλλο ισχύον αποδεικτικό αγοράς. Για το λόγο αυτό σας παρακαλούμε να φυλάξετε καλά την απόδειξη του ταμείου! Παρακαλούμε επίσης να μας περιγράψετε την αιτία για την διαμαρτυρία σας όσο πιο αναλυτικά γίνεται. Εάν το ελάττωμα της συσκευής σας καλύπτεται από την εγγύησή μας, είτε θα σας επιστραφεί ταχύτατα η επισκευασμένη συσκευή σας, είτε θα λάβετε μία νέα συσκευή.

Φυσικά επισκευάζουμε ευχαρίστως έναντι αμοιβής και ελαττώματα στη συσκευή σας που δεν καλύπτονται ή δεν καλύπτονται πλέον από την εγγύηση. Για το σκοπό αυτό σας παρακαλούμε να αποστείλετε τη συσκευή σας στη διεύθυνση του τμήματος μας για Εξυπηρέτηση Πελατών.

### EINHELL Hellas A. E.

Lasithiou Str. 4

14342 Nea Philadelphia

Tel. 0210 2776871 · Fax 0210 2776871

<b>Inhaltsverzeichnis</b>	<b>Seite</b>
1. Einleitung .....	73
2. Sicherheitshinweise .....	73-76
3. Gerätebeschreibung .....	76
4. Lieferumfang .....	76
5. Bestimmungsgemäße Verwendung .....	76-77
6. Technische Daten .....	77
7. Vor Inbetriebnahme .....	78-79
8. Inbetriebnahme .....	79-80
9. Austausch der Netzanschlussleitung .....	80
10. Reinigung, Wartung und Ersatzteilbestellung .....	81
11. Entsorgung und Wiederverwertung .....	81
12. Konformitätserklärung .....	82
13. Garantieurkunde .....	83

Der Nachdruck oder sonstige Vervielfältigung von Dokumentation und Begleitpapieren der Produkte, auch auszugsweise ist nur mit ausdrücklicher Zustimmung der ISC GmbH zulässig.

Technische Änderungen vorbehalten

DE/AT/  
CH

## Zusätzliche Sicherheitshinweise



“WARNUNG - Zur Verringerung des Verletzungsrisikos Bedienungsanleitung lesen”



**Tragen Sie einen Gehörschutz.**

Die Einwirkung von Lärm kann Hörverlust bewirken.



**Tragen Sie eine Staubschutzmaske.**

Beim Bearbeiten von Holz und anderer Materialien kann gesundheitsschädlicher Staub entstehen. Asbesthaltiges Material darf nicht bearbeitet werden!



**Tragen Sie eine Schutzbrille.**

Während der Arbeit entstehende Funken oder aus dem Gerät heraustretende Splitter, Späne und Stäube können Sichtverlust bewirken.

1



2



Um eine Beschädigung des Gerätes zu vermeiden, soll die Umschaltung zwischen den einzelnen Funktionen nur im Stillstand erfolgen.



## 1. Einleitung

### ⚠ Achtung!

Beim Benutzen von Geräten müssen einige Sicherheitsvorkehrungen eingehalten werden, um Verletzungen und Schäden zu verhindern. Lesen Sie diese Bedienungsanleitung / Sicherheitshinweise deshalb sorgfältig durch. Bewahren Sie diese gut auf, damit Ihnen die Informationen jederzeit zur Verfügung stehen. Falls Sie das Gerät an andere Personen übergeben sollten, händigen Sie diese Bedienungsanleitung / Sicherheitshinweise bitte mit aus. Wir übernehmen keine Haftung für Unfälle oder Schäden, die durch Nichtbeachten dieser Anleitung und den Sicherheitshinweisen entstehen.

## 2. Sicherheitshinweise

### ⚠ WARNUNG

**Lesen Sie alle Sicherheitshinweise und Anweisungen.** Versäumnisse bei der Einhaltung der Sicherheitshinweise und Anweisungen können elektrischen Schlag, Brand und/oder schwere Verletzungen verursachen. **Bewahren Sie alle Sicherheitshinweise und Anweisungen für die Zukunft auf.**

Der in den Sicherheitshinweisen verwendete Begriff „Elektrowerkzeug“ bezieht sich auf netzbetriebene Elektrowerkzeuge (mit Netzkabel) und auf akkubetriebene Elektrowerkzeuge (ohne Netzkabel).

### 1. Arbeitsplatzsicherheit

- **Halten Sie Ihren Arbeitsbereich sauber und gut beleuchtet.** Unordnung oder unbeleuchtete Arbeitsbereiche können zu Unfällen führen.
- **Arbeiten Sie mit dem Elektrowerkzeug nicht in explosionsgefährdeter Umgebung, in der sich brennbare Flüssigkeiten, Gase oder Stäube befinden.**  
Elektrowerkzeuge erzeugen Funken, die den Staub oder die Dämpfe entzünden

können.

- **Halten Sie Kinder und andere Personen während der Benutzung des Elektrowerkzeuges fern.**  
Bei Ablenkung können Sie die Kontrolle über das Gerät verlieren.

### 2. Elektrische Sicherheit

- **Der Anschlussstecker des Elektrowerkzeuges muss in die Steckdose passen. Der Stecker darf in keiner Weise verändert werden. Verwenden Sie keine Adapterstecker gemeinsam mit geschützten Elektrowerkzeugen.**  
Unveränderte Stecker und passende Steckdosen verringern das Risiko eines elektrischen Schlages.
- **Vermeiden Sie Körperkontakt mit geerdeten Oberflächen, wie von Rohren, Heizungen, Herden und Kühlschränken.**  
Es besteht ein erhöhtes Risiko durch elektrischen Schlag, wenn Ihr Körper geerdet ist.
- **Halten Sie Elektrowerkzeuge von Regen oder Nässe fern.**  
Das Eindringen von Wasser in ein Elektrogerät erhöht das Risiko eines elektrischen Schlages.
- **Zweckentfremden Sie das Kabel nicht, um das Elektrowerkzeug zu tragen, aufzuhängen oder um den Stecker aus der Steckdose zu ziehen. Halten Sie das Kabel fern von Hitze, Öl, scharfen Kanten oder sich bewegenden Geräteteilen.**  
Beschädigte oder verwickelte Kabel erhöhen das Risiko eines elektrischen Schlages.
- **Wenn Sie mit einem Elektrowerkzeug im Freien arbeiten, verwenden Sie nur Verlängerungskabel, die auch für den Außenbereich geeignet sind.**  
Die Anwendung eines für den Außenbereich geeigneten Verlängerungskabels verringert das Risiko eines elektrischen Schlages.
- **Wenn der Betrieb des Elektrowerkzeuges in feuchter Umgebung nicht vermeidbar ist, verwenden Sie einen**

**Fehlerstromschutzschalter.**

Der Einsatz eines Fehlerstromschutzschalters vermindert das Risiko eines elektrischen Schlages.

**3. Sicherheit von Personen**

- **Seien Sie aufmerksam, achten Sie darauf, was Sie tun, und gehen Sie mit Vernunft an die Arbeit mit einem Elektrowerkzeug. Benutzen Sie kein Elektrowerkzeug, wenn Sie müde sind oder unter Einfluss von Drogen, Alkohol oder Medikamenten stehen.**

Ein Moment der Unachtsamkeit beim Gebrauch des Elektrowerkzeuges kann zu ernsthaften Verletzungen führen.

- **Tragen Sie persönliche Schutzausrüstung und immer eine Schutzbrille.**  
Das Tragen persönlicher Schutzausrüstung, wie Staubmaske, rutschfeste Sicherheitsschuhe, Schutzhelm oder Gehörschutz, je nach Art und Einsatz des Elektrowerkzeuges, verringert das Risiko von Verletzungen.
- **Vermeiden Sie eine unbeabsichtigte Inbetriebnahme. Vergewissern Sie sich, dass das Elektrowerkzeug ausgeschaltet ist, bevor Sie es an die Stromversorgung und/oder den Akku anschließen, es aufnehmen oder tragen.**  
Wenn Sie beim Tragen des Elektrowerkzeuges den Finger am Schalter haben oder das Gerät eingeschaltet an die Stromversorgung anschließen, kann dies zu Unfällen führen.
- **Entfernen Sie Einstellwerkzeuge oder Schraubenschlüssel, bevor Sie das Elektrowerkzeug einschalten.**  
Ein Werkzeug oder Schlüssel, der sich in einem drehenden Geräteteil befindet, kann zu Verletzungen führen.
- **Vermeiden Sie eine abnormale Körperhaltung. Sorgen Sie für einen sicheren Stand und halten Sie jederzeit das Gleichgewicht.**  
Dadurch können Sie das Elektrowerkzeug in unerwarteten Situationen besser kontrollieren.
- **Tragen Sie geeignete Kleidung. Tragen Sie keine weite Kleidung oder Schmuck.**

**Halten Sie Haare, Kleidung und Handschuhe fern von sich bewegenden Teilen.**

Lockere Kleidung, Schmuck oder lange Haare können von sich bewegenden Teilen erfasst werden.

- **Wenn Staubabsaugerinnenrichtungen und Staubauffängerinnenrichtungen montiert werden können, vergewissern Sie sich, dass diese angeschlossen sind und richtig verwendet werden.**  
Verwendung einer Staubabsaugung kann Gefährdungen durch Staub verringern.
- 4. Verwendung und Behandlung des Elektrowerkzeuges**
- **Überlasten Sie das Gerät nicht. Verwenden Sie für Ihre Arbeit das dafür bestimmte Elektrowerkzeug.**  
Mit dem passenden Elektrowerkzeug arbeiten Sie besser und sicherer im angegebenen Leistungsbereich.
  - **Benutzen Sie kein Elektrowerkzeug, dessen Schalter defekt ist.**  
Ein Elektrowerkzeug, das sich nicht mehr ein- oder ausschalten lässt, ist gefährlich und muss repariert werden.
  - **Ziehen Sie den Stecker aus der Steckdose und/oder entfernen Sie den Akku, bevor Sie Geräteeinstellungen vornehmen, Zubehörteile wechseln oder das Gerät weglegen.**  
Diese Vorsichtsmaßnahme verhindert den unbeabsichtigten Start des Elektrowerkzeuges.
  - **Bewahren Sie unbenutzte Elektrowerkzeuge außerhalb der Reichweite von Kindern auf. Lassen Sie Personen das Gerät nicht benutzen, die mit diesem Gerät nicht vertraut sind oder diese Anweisungen nicht gelesen haben.**  
Elektrowerkzeuge sind gefährlich, wenn sie von unerfahrenen Personen benutzt werden.
  - **Pflegen Sie Elektrowerkzeuge mit Sorgfalt. Kontrollieren Sie, ob bewegliche Teile einwandfrei funktionieren und nicht klemmen, ob Teile gebrochen oder so beschädigt sind, dass die Funktion des**

**Elektrowerkzeuges beeinträchtigt ist. Lassen Sie beschädigte Teile vor dem Einsatz des Gerätes reparieren.**

Viele Unfälle haben ihre Ursache in schlecht gewarteten Elektrowerkzeugen.

- **Halten Sie Ihre Schneidwerkzeuge scharf und sauber.**  
Sorgfältig gepflegte Schneidwerkzeuge mit scharfen Schneidkanten verklemmen sich weniger und sind leichter zu führen.
- **Verwenden Sie Elektrowerkzeug, Zubehör, Einsatzwerkzeuge usw. entsprechend diesen Anweisungen. Berücksichtigen Sie dabei die Arbeitsbedingungen und die auszuführende Tätigkeit.**  
Der Gebrauch von Elektrowerkzeugen für andere als die vorgesehenen Anwendungen kann zu gefährlichen Situationen führen.

### 5. Service

- **Lassen Sie Ihr Elektrowerkzeug nur von qualifiziertem Fachpersonal und nur mit Original-Ersatzteilen reparieren.**  
Damit wird sichergestellt, dass die Sicherheit des Elektrowerkzeuges erhalten bleibt.

### Sicherheitshinweise für Hämmer

- **Tragen Sie Gehörschutz.** Die Einwirkung von Lärm kann Hörverlust bewirken.
- **Benutzen Sie die mit dem Gerät gelieferten Zusatzhandgriffe.** Der Verlust der Kontrolle kann zu Verletzungen führen.
- **Halten Sie das Gerät an den isolierten Griffflächen, wenn Sie Arbeiten ausführen, bei denen das Einsatzwerkzeug verborgene Stromleitungen oder das eigene Netzkabel treffen kann.** Der Kontakt mit einer spannungsführenden Leitung kann auch metallene Geräteteile unter Spannung setzen und zu einem elektrischen Schlag führen.

### spezielle Sicherheitshinweise für Bohr- und Meißelhammer

- Prüfen Sie die auf dem Typenschild angegebene Spannung (Volt).
- Bei Verwendung von Leitungsrollern, Leitung vollständig abrollen.  
Drahtquerschnitt mind. 1,5 mm<sup>2</sup>.
- Achten Sie auf einen sicheren Stand auf Leitern oder Gerüsten bei freihändigem Bohren.
- In Wänden, wo Strom-, Wasser- oder Gasleitungen unsichtbar verlegt sind, zuerst die Leitungen mit einem Leitungssuchgerät lokalisieren. Berührung mit stromführenden Teilen oder Leitern vermeiden.
- Tragen Sie zum Schutze Ihrer Ohren einen Gehörschutz: schleichender Hörverlust!
- Tragen Sie eine Schutzbrille und verwenden Sie eine Staubmaske bei stauberzeugenden Arbeiten.
- Nicht im Bereich von Dämpfen oder brennbaren Flüssigkeiten verwenden.
- Ziehen Sie bei allen Umbau- und Reinigungsarbeiten den Stecker aus der Steckdose.
- Schützen Sie die Netzleitung vor Beschädigungen. Öl und Säure können die Leitung beschädigen.
- Maschine nicht überlasten.
- Wichtig!  
Alle nationalen Sicherheitsvorschriften bezüglich Installation, Betrieb und Wartung sind zu befolgen.
- Meißel und Bohrer können versehentlich aus dem Werkzeug geschleudert werden und schwere Verletzungen verursachen:
  - Vor dem Arbeitseinsatz immer nachprüfen, dass Meißel oder Bohrer im Werkzeughalter arretiert sind.
  - Werkzeughalter regelmäßig auf Abnutzung oder Beschädigung kontrollieren.
- Ein schlagendes Werkzeug nur starten, wenn es gegen ein Werkstück (Wand, Decke usw.) gedrückt wird.
- Nach beendeter Arbeit den Bohr-Meißelhammer vom Stromnetz trennen und Meißel oder Bohrer aus dem Werkzeug nehmen.
- Vor dem Wechsel von Meißel oder Bohrer

DE/AT/  
CH

den Bohr-Meißelhammer immer vom Netz trennen.

- Schützen Sie Augen und Mitarbeiter vor Teilchenflug und absplitternde Fremdkörper. Schutzhelm tragen! Trennwände aufstellen!
- Arbeitshandschuhe schützen vor Hautabschürfungen.
- Vibrationen können für das Hand-Arm-System schädlich sein: die Einwirkzeit von Vibrationen ist so gering wie möglich zu halten.
- Netzkabel immer nach hinten vom Gerät wegführen.
- Bewahren Sie das Gerät so auf, dass es für Kinder unzugänglich ist.
- Beim Arbeiten Gerät immer mit beiden Händen halten und auf einen sicheren Stand achten.
- Vor der Materialbearbeitung ist darauf zu achten, dass am Gerät die richtige Schalterposition, für die durchzuführende Bearbeitung eingestellt ist. Da ansonsten eine Körperverletzungsgefahr beim Anlaufen der Maschine droht.

**Bewahren Sie die Sicherheitshinweise gut auf.**

### 3. Gerätebeschreibung (Bild 1)

1. Staubschutz
2. Verriegelungshülse
3. Zusatzhandgriff
4. Feststellschraube für Tiefenanschlag
5. Umschalter Bohren/Schlagbohren/Meißeln
6. Handgriff
7. Rechts-/Linkslauf-Umschalter
8. Feststellknopf
9. Drehzahl-Regler
10. Ein-/ Ausschalter
11. Betriebsanzeige
12. Anzeige für Kohlebürstenverschleiß
13. Tiefenanschlag
14. Zusätzliches Schnellspannbohrfutter
15. Staubaufnahme-Vorrichtung

### 4. Lieferumfang

Nehmen Sie alle Teile aus der Verpackung und überprüfen Sie diese auf Vollständigkeit.

- Bohr-Meißelhammer PBH 1100 A1
- Zusatzhandgriff
- Tiefenanschlag
- Bohrer für Stein (6, 8, 10 mm)
- Spitzmeißel - Flachmeißel
- zusätzliches Schnellspannbohrfutter
- Staubaufnahme-Vorrichtung
- Bedienungsanleitung


### 5. Bestimmungsgemäße Verwendung

Das Gerät ist bestimmt zum Hammerbohren in Beton, Gestein und Ziegel und für Meißelarbeiten unter Verwendung des entsprechenden Bohrers oder Meißels.

Die Maschine darf nur nach ihrer Bestimmung verwendet werden. Jede weitere darüber hinausgehende Verwendung ist nicht bestimmungsgemäß. Für daraus hervorgerufene Schäden oder Verletzungen aller Art haftet der Benutzer/Bediener und nicht der Hersteller.

Bitte beachten Sie, dass unsere Geräte bestimmungsgemäß nicht für den gewerblichen, handwerklichen oder industriellen Einsatz konstruiert wurden. Wir übernehmen keine Gewährleistung, wenn das Gerät in Gewerbe-, Handwerks- oder Industriebetrieben sowie bei gleichzusetzenden Tätigkeiten eingesetzt wird.

## 6. Technische Daten

Netzspannung:	230-240 V~ 50 Hz
Leistungsaufnahme:	1050 W
Leerlauf-Drehzahl:	0-1100 min <sup>-1</sup>
Schlagzahl:	0-5100 min <sup>-1</sup>
Bohrleistung Beton/Stein (max.):	Ø 26 mm
Schutzklasse:	II / 
Gewicht:	3,6 kg

## Geräusch und Vibration

Die Geräusch- und Vibrationswerte wurden entsprechend EN 60745 ermittelt.

Schalldruckpegel $L_{pA}$	91,8 dB(A)
Unsicherheit $K_{pA}$	3 dB
Schallleistungspegel $L_{WA}$	102,8 dB(A)
Unsicherheit $K_{WA}$	3 dB

Der Bohrhämmer ist nicht für die Verwendung im Freien, entsprechend Artikel 3 der Richtlinie 2000/14/EC\_2005/88/EC vorgesehen.

### Tragen Sie einen Gehörschutz.

Die Einwirkung von Lärm kann Hörverlust bewirken.

Schwingungsgesamtwerte (Vektorsumme dreier Richtungen) ermittelt entsprechend EN 60745.

### Bohrhämmer in Beton

Schwingungsemissionswert  $a_n = 15,81 \text{ m/s}^2$

Unsicherheit  $K = 1,5 \text{ m/s}^2$

### Meißeln

Schwingungsemissionswert  $a_n = 15,668 \text{ m/s}^2$

Unsicherheit  $K = 1,5 \text{ m/s}^2$

### Warnung!

Der angegebene Schwingungsemissionswert ist nach einem genormten Prüfverfahren gemessen worden und kann sich, abhängig von der Art und Weise, in der das Elektrowerkzeug verwendet wird, ändern und in Ausnahmefällen über dem angegebenen Wert liegen.

Der angegebene Schwingungsemissionswert kann zum Vergleich eines Elektrowerkzeuges mit einem anderen verwendet werden.

Der angegebene Schwingungsemissionswert kann auch zu einer einleitenden Einschätzung der Beeinträchtigung verwendet werden.

### Beschränken Sie die Geräuschentwicklung und Vibration auf ein Minimum!

- Verwenden Sie nur einwandfreie Geräte.
- Warten und reinigen Sie das Gerät regelmäßig.
- Passen Sie Ihre Arbeitsweise dem Gerät an.
- Überlasten Sie das Gerät nicht.
- Lassen Sie das Gerät gegebenenfalls überprüfen.
- Schalten Sie das Gerät aus, wenn es nicht benutzt wird.
- Tragen Sie Handschuhe.

## 7. Vor Inbetriebnahme

### ⚠ Achtung!

Überzeugen Sie sich vor dem Anschließen, dass die Daten auf dem Typenschild mit den Netzdaten übereinstimmen.

Ziehen Sie immer den Netzstecker, bevor Sie Einstellungen am Gerät vornehmen.

Einsatzstelle nach verdeckt liegenden elektrischen Leitungen, Gas- und Wasserrohren mit einem Leitungssuchgerät untersuchen.

### 7.1 Zusatzgriff (Abb. 2 – Pos. 3) Bohr-Meisselhammer aus Sicherheitsgründen nur mit dem Zusatzgriff verwenden.

Der Zusatzhandgriff (3) bietet Ihnen während der Benutzung der Maschine zusätzlichen Halt. Benutzen Sie das Gerät daher nicht ohne den Zusatzhandgriff (3). Befestigt wird der Zusatzhandgriff (3) an der Maschine durch Klemmung. Durch Drehen des Zusatzhandgriffes (3) im Uhrzeigersinn wird die Klemmung angezogen. Drehen gegen den Uhrzeigersinn löst die Klemmung.

- Der beiliegende Zusatzhandgriff (3) muss zunächst montiert werden. Hierzu ist durch Drehen des Zusatzhandgriffes (3) die Klemmung weit genug zu öffnen, damit der Zusatzhandgriff (3) über die Maschine geschoben werden kann.
- Nach dem Aufschieben des Zusatzhandgriffes (3) schwenken Sie diesen in die für Sie angenehmste Arbeitsposition.
- Jetzt den Zusatzhandgriff (3) in entgegengesetzter Drehrichtung wieder zudrehen, bis der Zusatzhandgriff (3) fest sitzt.
- Der Zusatzhandgriff (3) ist für Rechtshänder ebenso wie für Linkshänder geeignet.

### 7.2 Tiefenanschlag (Abb. 3 – Pos. 13)

Der Tiefenanschlag (13) wird mit der Feststellschraube (4) am Zusatzhandgriff (3) durch Klemmung gehalten.

- Lösen Sie die Feststellschraube (4) und setzen Sie den Tiefenanschlag (13) ein.
- Bringen Sie den Tiefenanschlag (13) auf gleiche Ebene zum Bohrer.
- Ziehen Sie den Tiefenanschlag (13) um die gewünschte Bohrtiefe zurück.
- Ziehen Sie die Feststellschraube (4) wieder fest.
- Bohren Sie nun das Loch, bis der Tiefenanschlag (13) das Werkstück berührt.
- Der Tiefenanschlag (13) ist mit einer Rasterung ausgestattet, die im Einsatz ein Verschieben des Tiefenanschlages (13) verhindert.

### 7.3 Werkzeug einsetzen (Abb. 4)

- Werkzeug vor dem Einsetzen reinigen und Werkzeug-Schaft mit Bohrerfett leicht fetten.
- Verriegelungshülse (2) zurückziehen und festhalten.
- Staubfreies Werkzeug drehend in die Werkzeugaufnahme bis zum Anschlag einschieben. Das Werkzeug verriegelt sich selbst, nachdem die Verriegelungshülse losgelassen wird.
- Verriegelung durch Ziehen am Werkzeug prüfen.

### 7.4 Werkzeug entnehmen (Abb. 5)

Verriegelungshülse (2) zurückziehen, festhalten und Werkzeug entnehmen.

### 7.5 Staubaufnahme-Vorrichtung (Abb. 8)

Vor Bohrhammerarbeiten senkrecht über dem Kopf, Staubaufnahme-Vorrichtung (15) über den Bohrer schieben.



### 7.6 Zusätzliches Schnellspannbohrfutter einsetzen (Abb. 4)

- Schnellspannbohrfutter (14) vor dem Einsetzen reinigen und Schnellspannbohrfutter-Schaft mit Bohrerfett leicht fetten.
- Verriegelungshülse (2) zurückziehen und festhalten.
- Staubfreies Schnellspannbohrfutter (14) drehend in die Werkzeugaufnahme bis zum Anschlag einschieben. Das Schnellspannbohrfutter (14) verriegelt sich selbst, nachdem die Verriegelungshülse losgelassen wird.
- Verriegelung durch Ziehen am Schnellspannbohrfutter (14) prüfen.

### 7.7 Zusätzliches Schnellspannbohrfutter entnehmen (Abb. 5)

Verriegelungshülse (2) zurückziehen, festhalten und Schnellspannbohrfutter entnehmen.

### 7.8 Einsetzen des Bohrers in das Schnellspannbohrfutter (Bild 6-7)

#### ⚠ Achtung!

- Ziehen Sie immer den Netzstecker, bevor Sie Einstellungen am Gerät vornehmen.
- Tiefenanschlag (13) wie in 7.2 beschrieben lösen und in Richtung Bohrergriff schieben. Somit hat man freien Zugang zum Schnellspannbohrfutter (14).
- Drehen Sie das Schnellspannbohrfutter (14) auf. Die Bohrfutteröffnung muss groß genug sein, um den Bohrer aufzunehmen.
- Wählen Sie einen geeigneten Bohrer aus. Schieben Sie das Werkzeug soweit wie möglich in die Bohrfutteröffnung hinein.
- Drehen Sie das Schnellspannbohrfutter (14) zu. Prüfen Sie, ob der Bohrer fest im Schnellspannbohrfutter (14) sitzt.
- Überprüfen Sie in regelmäßigen Abständen den festen Sitz des Bohrers bzw. Werkzeuges (Netzstecker ziehen!).

## 8. Inbetriebnahme

#### ⚠ Achtung!

**Um eine Gefährdung zu vermeiden, darf die Maschine nur an den beiden Handgriffen (3/6) gehalten werden!** Andernfalls kann beim Anbohren von Leitungen elektrischer Schlag drohen!

#### 8.1 Betriebsanzeige (Abb.1/Pos. 11)

Bei eingestecktem Netzstecker leuchtet die Betriebsanzeige (11).

#### 8.2 Ein-/Ausschalter (Bild 9/Pos. 10)

- Setzen Sie zuerst einen geeigneten Bohrer in das Gerät ein (siehe 7.3).
- Verbinden Sie den Netzstecker mit einer geeigneten Steckdose.
- Setzen Sie den Bohr-Meißelhammer direkt an der Bohrstelle an.

#### Einschalten:

Ein-/Ausschalter (10) drücken.

#### Ausschalten:

Ein-/Ausschalter (10) loslassen.

#### Dauerbetrieb einschalten:

Ein-/Ausschalter (10) mit Feststellknopf (8) sichern. Achtung! Eine Arretierung ist nur im Rechtslauf möglich.

#### Dauerbetrieb ausschalten:

Ein-/Ausschalter (10) kurz eindrücken.

#### 8.3 Drehzahl einstellen (Bild 9/Pos. 10)

- Sie können die Drehzahl während des Betriebes stufenlos steuern.
- Durch mehr oder wenig starkes Drücken des Ein-/Ausschalters (10) wählen Sie die Drehzahl.
- Wahl der richtigen Drehzahl: Die am besten geeignete Drehzahl ist abhängig vom Werkstück, von der Betriebsart und vom eingesetzten Bohrer.
- Geringer Druck auf Ein-/Ausschalter (10): niedrigere Drehzahl
- Größerer Druck auf Ein-/Ausschalter (10): höhere Drehzahl

DE/AT/  
CH

**Tipp:** Bohren Sie Bohrlöcher mit geringer Drehzahl an. Erhöhen Sie die Drehzahl danach schrittweise.

#### Vorteile:

- Der Bohrer ist beim Anbohren leichter zu kontrollieren und rutscht nicht ab.
- Sie vermeiden zersplitterte Bohrlöcher (z.B. bei Kacheln).

#### 8.4 Vorwählen der Drehzahl (Bild 9/Pos. 9)

- Nehmen Sie diese Einstellung nicht während des Bohrens vor.
- Der Drehzahl-Regler (9) ermöglicht es Ihnen, die maximale Drehzahl zu definieren. Der Ein-/Ausschalter (10) kann nur noch bis zur vorgegebenen Maximaldrehzahl eingedrückt werden.
- Stellen Sie die Drehzahl mit dem Drehzahl-Regler (9) im Ein-/Ausschalter (10) ein.

#### 8.5 Rechts-/Linkslauf-Umschalter (Bild 9/Pos. 7)

- **Nur im Stillstand umschalten!**
- Stellen Sie mit dem Rechts-/Linkslauf-Umschalter (7) die Laufrichtung des Schlagbohrers ein:

<b>Laufrichtung</b>	<b>Schalterposition</b>
Rechtslauf (Vorwärts und Bohren)	nach links eindrücken
Linkslauf (Rücklauf)	nach rechts eindrücken

#### 8.6 Umschalter

##### Bohren/Schlagbohren/Meißeln (Abb. 10)

#### Achtung!

**Ist das zusätzliche Schnellspannbohrfutter (14) montiert, sind die Funktionen Schlagbohren/Meißeln nicht verfügbar.**

- Zum Bohren den Knopf (E) am Umschalter (5) drücken und gleichzeitig den Umschalter (5) in die Schalterstellung A drehen.
- Zum Schlagbohren den Knopf (E) am Umschalter (5) drücken und gleichzeitig den Umschalter (5) in die Schalterstellung B drehen.
- Für Meißelarbeiten den Knopf (E) am

Umschalter (5) drücken und gleichzeitig den Umschalter (5) in die Schalterstellung C drehen.  
In der Stellung C ist der Meißel nicht arretiert.

- Für Meißelarbeiten den Knopf (E) am Umschalter (5) drücken und gleichzeitig den Umschalter (5) in die Schalterstellung D drehen.  
In der Stellung D ist der Meißel arretiert.

#### ⚠ Achtung!

Zum Schlagbohren benötigen Sie nur eine geringe Anpresskraft. Ein zu hoher Anpressdruck belastet unnötig den Motor. Bohrer regelmäßig prüfen. Stumpfen Bohrer nachschleifen oder ersetzen.

## 9. Austausch der Netzan-schlussleitung

Wenn die Netzanschlussleitung dieses Gerätes beschädigt wird, muss sie durch den Hersteller oder seinen Kundendienst oder eine ähnlich qualifizierte Person ersetzt werden, um Gefährdungen zu vermeiden.



## 10. Reinigung, Wartung und Ersatzteilbestellung

### ⚠ Achtung!

Ziehen Sie vor allen Reinigungsarbeiten den Netzstecker.

### 10.1 Reinigung

- Halten Sie Schutzvorrichtungen, Luftschlitze und Motorenhäuser so staub- und schmutzfrei wie möglich. Reiben Sie das Gerät mit einem sauberen Tuch ab oder blasen Sie es mit Druckluft bei niedrigem Druck aus.
- Wir empfehlen, dass Sie das Gerät direkt nach jeder Benutzung reinigen.
- Reinigen Sie das Gerät regelmäßig mit einem feuchten Tuch und etwas Schmierseife. Verwenden Sie keine Reinigungs- oder Lösungsmittel; diese könnten die Kunststoffteile des Gerätes angreifen. Achten Sie darauf, dass kein Wasser in das Geräteinnere gelangen kann.

### 10.2 Kohlebürsten

Bei übermäßiger Funkenbildung oder Aufleuchten der Anzeige für den Kohlebürstenverschleiß (12) lassen Sie die Kohlebürsten durch eine Elektrofachkraft überprüfen.

### 10.3 Wartung

Im Geräteinneren befinden sich keine weiteren zu wartenden Teile.

### 10.4 Ersatzteilbestellung:

Bei der Ersatzteilbestellung sollten folgende Angaben gemacht werden:

- Typ des Gerätes
- Artikelnummer des Gerätes
- Ident-Nummer des Gerätes

Aktuelle Preise und Infos finden Sie unter [www.isc-gmbh.info](http://www.isc-gmbh.info)

## 11. Entsorgung und Wiederverwertung

Das Gerät befindet sich in einer Verpackung um Transportschäden zu verhindern. Diese Verpackung ist Rohstoff und ist somit wieder verwendbar oder kann dem Rohstoffkreislauf zurückgeführt werden. Das Gerät und dessen Zubehör bestehen aus verschiedenen Materialien, wie z.B. Metall und Kunststoffe. Führen Sie defekte Bauteile der Sondermüllentsorgung zu. Fragen Sie im Fachgeschäft oder in der Gemeindeverwaltung nach!



Nur für EU-Länder

Werfen Sie Elektrowerkzeuge nicht in den Hausmüll!

Gemäß europäischer Richtlinie 2002/96/EG über Elektro- und Elektronik-Altgeräte und Umsetzung in nationales Recht müssen verbrauchte Elektrowerkzeuge getrennt gesammelt werden und einer umweltgerechten Wiederverwertung zugeführt werden.

Recycling-Alternative zur Rücksendeauforderung:

Der Eigentümer des Elektrogerätes ist alternativ anstelle Rücksendung zur Mitwirkung bei der sachgerechten Verwertung im Falle der Eigentumsaufgabe verpflichtet. Das Altgerät kann hierfür auch einer Rücknahmestelle überlassen werden, die eine Beseitigung im Sinne der nationalen Kreislaufwirtschafts- und Abfallgesetze durchführt. Nicht betroffen sind den Altgeräten beigelegte Zubehörteile und Hilfsmittel ohne Elektrobestandteile.

DE/AT/  
CH

## 12. Konformitätserklärung

Einhell Germany AG · Wiesenweg 22 · D-94405 Landau/Isar



## Konformitätserklärung

- erklärt folgende Konformität gemäß EU-Richtlinie und Normen für Artikel  
 explains the following conformity according to EU directives and norms for the following product  
 déclare la conformité suivante selon la directive CE et les normes concernant l'article  
 dichiara la seguente conformità secondo la direttiva UE e le norme per l'articolo  
 verklaart de volgende overeenstemming conform EU richtlijn en normen voor het product  
 declara la siguiente conformidad a tenor de la directiva y normas de la UE para el artículo  
 declara a seguinte conformidade, de acordo com a directiva CE e normas para o artigo  
 atterer følgende overensstemmelse i medfør af EU-direktiv samt standarder for artikel  
 förklarar följande överensstämmelse enl. EU-direktiv och standarder för artikeln  
 vakuuttaa, että tuote täyttää EU-direktiivin ja standardien vaatimukset  
 tõendab toote vastavust EL direktiivile ja standarditele  
 vydává následující prohlášení o shodě podle směrnice EU a norem pro výrobek  
 potrjuje sledečo skladnost s smernico EU in standardi za izdelek  
 vydáva nasledujúce prehlásenie o zhode podľa smernice EÚ a noriem pre výrobok  
 a cikkekhez az EU-irányvonal és Normák szerint a következő konformitást jelenti ki  
 deklaruje zgodność wymienionego poniżej artykułu z następującymi normami na podstawie dyrektywy WE.  
 декларира съответното съответствие съгласно Директива на ЕС и норми за артикул  
 paskaidro šādu atbilstību ES direktīvai un standartiem  
 arībūdina šj atitikimā EU reikalavimams ir prekės normoms  
 declară următoarea conformitate conform directivei UE și normelor pentru articolul  
 δηλώνει την ακόλουθη συμμόρφωση σύμφωνα με την Οδηγία ΕΚ και τα πρότυπα για το προϊόν  
 potvrđuje sljedeću usklađenost prema smjernicama EU i normama za artikl  
 Izjava o sukladnosti za ovaj proizvod dostupna je na internet stranici www.lidl.hr.  
 potvrđuje sljedeću usklađenost prema smjernicama EU i normama za artikl  
 potvrđuje sledeću usklađenost prema smernicama EZ i normama za artikl  
 следующим удостоверяется, что следующие продукты соответствуют директивам и нормам ЕС  
 проголошує про зазначену нижче відповідність виробу директивам та стандартам ЄС на виріб  
 Ürünü ile ilgili AB direktifleri ve normları gereğince aşağıda açıklanan uygunluğu belirtir  
 erklærer følgende samsvar i henhold til EU-direktivet og standarder for artikkel  
 Lýsir uppfyllingu EU-reglna og annarra staða vöru

## Bohrhammer PBH 1100 A1 (Parkside)

- 87/404/EC\_2009/105/EC  
 2005/32/EC\_2009/125/EC  
 2006/95/EC  
 2006/28/EC  
 2004/108/EC  
 2004/22/EC  
 1999/5/EC  
 97/23/EC  
 90/396/EC\_2009/142/EC  
 89/686/EC\_96/58/EC  
 2006/42/EC  
 Annex IV  
 Notified Body:  
 Notified Body No.:  
 Reg. No.:  
 2000/14/EC\_2005/88/EC  
 Annex V  
 Annex VI  
 Noise: measured  $L_{WA}$  = dB (A); guaranteed  $L_{WA}$  = dB (A)  
 P = KW; L/Ø = cm  
 Notified Body:  
 2004/26/EC  
 Emission No.:

Standard references: EN 60745-1; EN 60745-2-6; EN 55014-1;  
EN 55014-2; EN 61000-3-2; EN 61000-3-3

Landau/Isar, den 07.09.2010

  
Weichselgartner/General Manager


  
Unger/Product-Management

First CE: 08  
 Art.-No.: 42.583.72 I.-No.: 11020  
 Subject to change without notice

Archive-File/Record: 4258395-42-4155050-08  
 Documents registrar: Georg Riedel  
 Wiesenweg 22, D-94405 Landau/Isar

# 13. GARANTIEURKUNDE

**Sehr geehrte Kundin, sehr geehrter Kunde,**

unsere Produkte unterliegen einer strengen Qualitätskontrolle. Sollte dieses Gerät dennoch einmal nicht einwandfrei funktionieren, bedauern wir dies sehr und bitten Sie, sich an unseren Servicedienst unter der auf dieser Garantiekarte angegebenen Adresse zu wenden. Gern stehen wir Ihnen auch telefonisch über die unten angegebene Servicrufnummer zur Verfügung. Für die Geltendmachung von Garantieansprüchen gilt Folgendes:

1. Diese Garantiebedingungen regeln zusätzliche Garantieleistungen. Ihre gesetzlichen Gewährleistungsansprüche werden von dieser Garantie nicht berührt. Unsere Garantieleistung ist für Sie kostenlos.
2. Die Garantieleistung erstreckt sich ausschließlich auf Mängel, die auf Material- oder Herstellungsfehler zurückzuführen sind und ist auf die Behebung dieser Mängel bzw. den Austausch des Gerätes beschränkt. Bitte beachten Sie, dass unsere Geräte bestimmungsgemäß nicht für den gewerblichen, handwerklichen oder industriellen Einsatz konstruiert wurden. Ein Garantievertrag kommt daher nicht zustande, wenn das Gerät in Gewerbe-, Handwerks- oder Industriebetrieben sowie bei gleichzusetzenden Tätigkeiten eingesetzt wird.  
Von unserer Garantie sind ferner Ersatzleistungen für Transportschäden, Schäden durch Nichtbeachtung der Montageanleitung oder aufgrund nicht fachgerechter Installation, Nichtbeachtung der Gebrauchsanleitung (wie durch z.B. Anschluss an eine falsche Netzspannung oder Stromart), missbräuchliche oder unsachgemäße Anwendungen (wie z.B. Überlastung des Gerätes oder Verwendung von nicht zugelassenen Einsatzwerkzeugen oder Zubehör), Nichtbeachtung der Wartungs- und Sicherheitsbestimmungen, Eindringen von Fremdkörpern in das Gerät (wie z.B. Sand, Steine oder Staub), Gewaltanwendung oder Fremdeinwirkungen (wie z. B. Schäden durch Herunterfallen) sowie durch verwendungsgemäßen, üblichen Verschleiß ausgeschlossen. Dies gilt insbesondere für Akkus, auf die wir dennoch eine Garantiezeit von 12 Monaten gewähren  
Der Garantieanspruch erlischt, wenn an dem Gerät bereits Eingriffe vorgenommen wurden.
3. Die Garantiezeit beträgt 3 Jahre und beginnt mit dem Kaufdatum des Gerätes. Garantieansprüche sind vor Ablauf der Garantiezeit innerhalb von zwei Wochen, nachdem Sie den Defekt erkannt haben, geltend zu machen. Die Geltendmachung von Garantieansprüchen nach Ablauf der Garantiezeit ist ausgeschlossen. Die Reparatur oder der Austausch des Gerätes führt weder zu einer Verlängerung der Garantiezeit noch wird eine neue Garantiezeit durch diese Leistung für das Gerät oder für etwaige eingebaute Ersatzteile in Gang gesetzt. Dies gilt auch bei Einsatz eines Vor-Ort-Services.
4. Für die Geltendmachung Ihres Garantieanspruches übersenden Sie bitte das defekte Gerät portofrei an die unten angegebene Adresse. Fügen Sie den Verkaufsbeleg im Original oder einen sonstigen datierten Kaufnachweis bei. Bitte bewahren Sie deshalb den Kassenbon als Nachweis gut auf! Beschreiben Sie uns bitte den Reklamationsgrund möglichst genau. Ist der Defekt des Gerätes von unserer Garantieleistung erfasst, erhalten Sie umgehend ein repariertes oder neues Gerät zurück.

Selbstverständlich beheben wir gegen Erstattung der Kosten auch gerne Defekte am Gerät, die vom Garantiefumfang nicht oder nicht mehr erfasst sind. Dazu senden Sie das Gerät bitte an unsere Serviceadresse.



IAN: 61368 PBH 1100 A1

**Einhell Germany AG**

Wiesenweg 22

D-94405 Landau/Isar

Last Information Update · Stanje informacija · Versiune informații  
Състояние на информацията · Έκδοση των πληροφοριών  
Stand der Informationen: 10/2010 Ident.-No.: 42.583.72 102010 - 7

