

Einhell®

ⓓ

**Original operating instructions
Hot Air Pistol**

ⓖⓑ

ⓔ

**Manual de instrucciones original
Pistola de aire caliente**

ⓗⓗ ⓑⓗ

**Originalne upute za rad
Pištolj za vrući zrak**

ⓇⓈ

**Originalna uputstva za upotrebu
Pištolj za vrući vazduh**

Ⓟ

**Oryginalna instrukcja obsługi
Opalarka**

7

CE

Art.-Nr.: 45.201.91

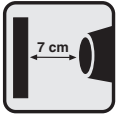
I.-Nr.: 11010

RT-HA 2000 E

1. Key to symbols



“CAUTION - Read the operating instructions to reduce the risk of injury”



The nozzle outlet must be kept a minimum distance of 7 cm from the workpiece you are working on or the accumulating air may cause damage to the appliance.

Indicators on the display



Arrows flash; Temperature is set



Arrows are constantly lit up; Temperature is reached.



Air flow (Settings 1-5)



Switch the hot air pistol off.



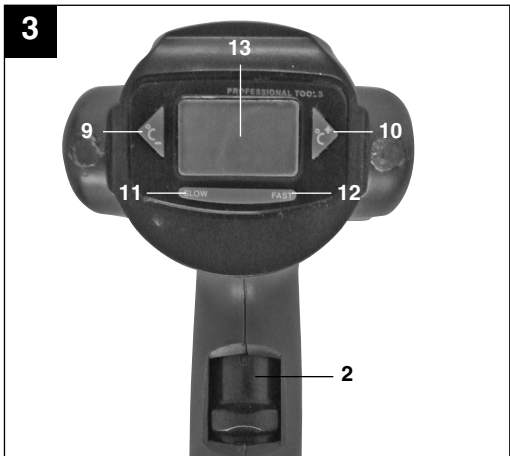
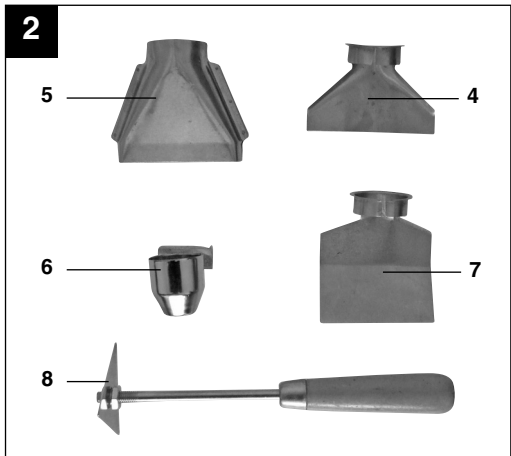
Hot air pistol is overloaded.



Overheated hot air pistol (Fault)



Error for faults which are not observed (e.g. overheated hot air pistol)



GB

Table of contents

1. Key to symbols
2. Safety regulations
3. Layout and items supplied
4. Intended use
5. Technical data
6. Before starting
7. Starting up
8. Replacing the power cable
9. Cleaning, maintenance and ordering of spare parts
10. Disposal and recycling

GB**⚠ Caution:**

When using the appliance, a few safety precautions must be observed to avoid injuries and damage. Please read the complete operating instructions and safety regulations with due care. Keep this manual in a safe place, so that the information is available at all times. If you give the appliance to any other person, hand over these operating instructions and safety regulations as well. We cannot accept any liability for damage or accidents which arise due to a failure to follow these instructions and the safety instructions.

2. Safety regulations

Please refer to the booklet included in delivery for the safety instructions!

⚠ CAUTION

Read all safety regulations and instructions. Any errors made in following the safety regulations and instructions may result in an electric shock, fire and/or serious injury.

Keep all safety regulations and instructions in a safe place for future use.

Additional safety instructions

- Ensure that the ON/OFF switch is set to "0" (OFF) before you insert the plug into the socket.
- **The nozzle can reach temperatures of up to 630°. Caution Risk of burns! Wear gloves and protective goggles. During operation the nozzle should not be touched.**
- Let the hot air pistol cool off completely before clearing up.
- Never leave the appliance in the rain or in damp places. Store the appliance in a dry place.
- Never leave the appliance unsupervised. Keep the appliance away from children.
- **Never aim the air flow at people or animals. The appliance may not be used to dry clothes or hair. The hot air blower may not be used as a hair dryer.**
- The appliance must not be used near highly inflammable or explosive substances and gases.
- Never restrict the hot air flow by blocking or covering the air outlet.
- Only use original accessories and spare parts from the manufacturer.
- Never wear loose clothing or jewellery. Wear non-slip shoes and a hairnet if you have long hair. Ensure that you maintain a steady foothold.
- Never use the appliance in a wet environment or in areas where relative humidity is high

(bathroom, sauna, etc.)

- Check your working area for highly inflammable substances before using the hot air pistol.
- Never carry the hot air pistol by its Power cable.
- Only use extension cables with a minimum cross-section of 1.5mm²
- Repairs (e.g. exchange of power cable) may only be carried out by a qualified electrician.
- Do not use chemical removers and solvents at the same time as the hot air pistol.
- Clean the nozzle if it gets dirty.
- Make sure the openings for the air inlet and outlet are always clean and free of dirt.
- When removing colour or working with plastics, vapours which could be damaging to health/poisonous may be produced. Make sure of adequate air supply when working in a house.
- Never aim the hot air directly at a window or other glass surfaces.
- This appliance is not designed to be used by people (including children) with limited physical, sensory or mental capacities or those with no experience and /or knowledge unless they are supervised by a person who is responsible for their safety or they have received instructions from such a person in how to use the appliance safely. Children must always be supervised in order to ensure that they do not play with the appliance.
- Fires can be caused if the appliance is not handled carefully and correctly.
- Take care when using the appliance near inflammable substances. Do not aim the pistol at the same point for a long time.
- Do not use in explosive atmospheres.
- Warmth may be carried to inflammable materials which are concealed.
- After use, let the appliance cool on the stand before it is put away.
- Do not leave the appliance unsupervised when it is in operation.

3. Layout and items supplied (Fig. 1/2)

1. Nozzle
2. 4-setting ON/OFF switch
3. Handle
4. Heat nozzle
5. Wide nozzle
6. Reducer nozzle
7. Reflector nozzle
8. Paint scraper
9. Temperature -
10. Temperature +
11. Air flow -

12. Air flow +
13. Display

4. Intended use

The hot air blower is designed for heating shrink-fit hoses, for removing paint and for welding and shaping plastics.

The appliance is to be used only for its prescribed purpose. Any other use is deemed to be a case of misuse. The user/operator - not the manufacturer - will be liable for any damage or injuries caused as a result thereof.

Please note that our appliance has not been designed for use in commercial, trade or industrial applications. Our warranty will be voided if the appliance is used in commercial, trade or industrial businesses or for equivalent purposes.

5. Technical data

Mains voltage:	230 V ~ 50 Hz
Power input:	max. 2000 W
Temperature:	50°C / Setting I 50 - 630°C / Setting II 50 - 630°C / Setting III
Air volume:	120 l/min ⁻¹ / Setting 1 240 l/min ⁻¹ / Setting 2 360 l/min ⁻¹ / Setting 3 480 l/min ⁻¹ / Setting 4 550 l/min ⁻¹ / Setting 5
Protection class:	II/□
Weight:	0.9 kg

6. Before starting the appliance

Before you connect the appliance to the mains supply make sure that the data on the rating plate are identical to the mains data.

7. Starting up

7.1 4-setting ON/OFF switch (Fig. 3)

Select the required operating temperature and air volume with the ON/OFF switch (2).

Within a very short space of time the hot air pistol will reach operating temperature.

Switch position I:

I. Setting 50°C / 120 - 550 l/min⁻¹

Switch position II:

II. Setting 50 - 630°C / 120 - 550 l/min⁻¹

Switch position III:

III. Setting 50 - 630°C / 550 l/min⁻¹

7.1.1 Indicators on the display:

- If the temperature is adjusted to Setting II or III (Temperature adjustment is possible at intervals of 10°C) the arrows flash until the set temperature is reached. After this the arrows are constantly lit up.
- If the symbol (switch off hot air pistol) appears on the display, the appliance should first be stopped before using again.
- If the hot air pistol is overloaded at Setting II or III, the temperature can be changed from above, however the hot air pistol carries on running at constant temperature.

7.2 Possible uses of the hot air pistol:

- Removal of colour and paint.
Important: When removing colours and paints, vapours which could be damaging to health/poisonous may be produced. Make sure of adequate ventilation.
- Removal of labels and decoration.
- Loosening of rusty or over-tightened nuts and metal screws.
- Thawing frozen pipes, door locks, etc. Do not thaw plastic or synthetic pipes.
- Removal of natural grains on wood surfaces before staining or painting.
- Shrinking of PVC packaging and insulating hoses.
- Waxing of skis.

Important: Intense exposure to heat raises the risk of fire and explosion!

Make sure the workplace is well-aired. The remaining gases and vapours could be damaging to health/or poisonous.

GB**7.3 Selecting the right nozzle**

- Heat nozzle (4) protects materials (e.g. glass panes) from the hot air by redirection. For removing paint.
- The wide nozzle (5) provides uniform air distribution on small surfaces.
- The reducer nozzle (6) provides a targeted jet of heat for corners and for soldering work.
- The reflector nozzle (7) is designed for soldering and shaping tubes, for defrosting water pipes and for shrinking insulating hoses.

8. Replacing the power cable

If the power cable for this appliance is damaged, it must be replaced by the manufacturer or its after-sales service or similarly trained personnel to avoid danger.

9. Cleaning, maintenance and ordering of spare parts

Always pull out the mains power plug before starting any cleaning work.

9.1 Cleaning

- Keep all safety devices, air vents and the motor housing free of dirt and dust as far as possible. Wipe the appliance with a clean cloth or blast it with compressed air at low pressure.
- We recommend cleaning the appliance immediately after every use.
- Clean the appliance regularly with a damp cloth and some soft soap. Do not use cleaning agents or solvents; these may be aggressive to the plastic parts in the appliance. Ensure that no water can get into the interior of the appliance.

9.2 Maintenance

There are no parts inside the appliance which require additional maintenance.

9.3 Ordering replacement parts:

Please provide the following information on all orders for spare parts;

- Model/type of the appliance
- Article number of the appliance
- ID number of the appliance
- Spare part number of the required spare part

For our latest prices and information please go to www.isc-gmbh.info

10. Disposal and recycling

The appliance is supplied in packaging to prevent it from being damaged in transit. This packaging is raw material and can therefore be reused or can be returned to the raw material system. The appliance and its accessories are made of various types of material, such as metal and plastic. Defective components must be disposed of as special waste. Ask your dealer or your local council.



GB GUARANTEE CERTIFICATE

Dear Customer,

All of our products undergo strict quality checks to ensure that they reach you in perfect condition. In the unlikely event that your device develops a fault, please contact our service department at the address shown on this guarantee card. Of course, if you would prefer to call us then we are also happy to offer our assistance under the service number printed below. Please note the following terms under which guarantee claims can be made:

1. These guarantee terms cover additional guarantee rights and do not affect your statutory warranty rights. We do not charge you for this guarantee.
2. Our guarantee only covers problems caused by material or manufacturing defects, and it is restricted to the rectification of these defects or replacement of the device. Please note that our devices have not been designed for use in commercial, trade or industrial applications. Consequently, the guarantee is invalidated if the equipment is used in commercial, trade or industrial applications or for other equivalent activities. The following are also excluded from our guarantee: compensation for transport damage, damage caused by failure to comply with the installation/assembly instructions or damage caused by unprofessional installation, failure to comply with the operating instructions (e.g. connection to the wrong mains voltage or current type), misuse or inappropriate use (such as overloading of the device or use of non-approved tools or accessories), failure to comply with the maintenance and safety regulations, ingress of foreign bodies into the device (e.g. sand, stones or dust), effects of force or external influences (e.g. damage caused by the device being dropped) and normal wear resulting from proper operation of the device.

The guarantee is rendered null and void if any attempt is made to tamper with the device.

3. The guarantee is valid for a period of 2 years starting from the purchase date of the device. Guarantee claims should be submitted before the end of the guarantee period within two weeks of the defect being noticed. No guarantee claims will be accepted after the end of the guarantee period. The original guarantee period remains applicable to the device even if repairs are carried out or parts are replaced. In such cases, the work performed or parts fitted will not result in an extension of the guarantee period, and no new guarantee will become active for the work performed or parts fitted. This also applies when an on-site service is used.
4. In order to assert your guarantee claim, please send your defective device postage-free to the address shown below. Please enclose either the original or a copy of your sales receipt or another dated proof of purchase. Please keep your sales receipt in a safe place, as it is your proof of purchase. It would help us if you could describe the nature of the problem in as much detail as possible. If the defect is covered by our guarantee then your device will either be repaired immediately and returned to you, or we will send you a new device.

Of course, we are also happy offer a chargeable repair service for any defects which are not covered by the scope of this guarantee or for units which are no longer covered. To take advantage of this service, please send the device to our service address.

EINHELL AUSTRALIA PTY LTD
6/166 Wellington Street
Collingwood VIC 3066
Australia
Phone: 1300 922 271