

GARDENLINE®

36v Cordless Grass Trimmer

User Guide



After Sales Support

Now you have purchased a Gardenline® product you can rest assured in the knowledge that as well as your 3 year parts and labour guarantee you have the added peace of mind of dedicated helplines and web support.



GARDENLINE[®]

Cordless Grass Trimmer

Warranty Details

The product is guaranteed to be free from defects in workmanship and parts for a period of 36 months from the date of purchase. Defects that occur within this warranty period, under normal use and care, will be repaired, replaced or refunded at our discretion. There will be no returns accepted with products containing fuel. The benefits conferred by this warranty are in addition to all rights and remedies in respect of the product that the consumer has under the Competition and Consumer Act and similar state and territory laws.

Our goods come with guarantees that cannot be excluded under the Australian Consumer Law. You are entitled to a replacement or refund for a major failure and for compensation for any other reasonably foreseeable loss or damage. You are also entitled to have the goods repaired or replaced if the goods fail to be acceptable quality and the failure does not amount to a major failure.

After Sales Support

Telephone: 1300 922 271

Email: service.australia@isc-gmbh.info



AFTER SALES SUPPORT



1300 922 271



service.australia@isc-gmbh.info

Contents

6	Safety Information
9	Layout
9	Items Supplied
9	Intended Use
10	Technical Data
10	Before Starting The Equipment
11	Operations
12	Cleaning, Maintenance and Ordering Spare Parts
12	Storage and Transport
13	Disposal and Recycling
14	Troubleshooting

What your 3 year warranty means

Congratulations on choosing to buy a Gardenline® product. By doing so you now have the assurance and peace of mind that comes with purchasing a product made by one of Australia's leading suppliers.

All products brought to you by Gardenline® are manufactured to the highest standards of performance and safety, and, as part of our philosophy of customer service and satisfaction, are backed by our comprehensive 3 Year Guarantee.

We hope you will enjoy using your purchase for many years to come.

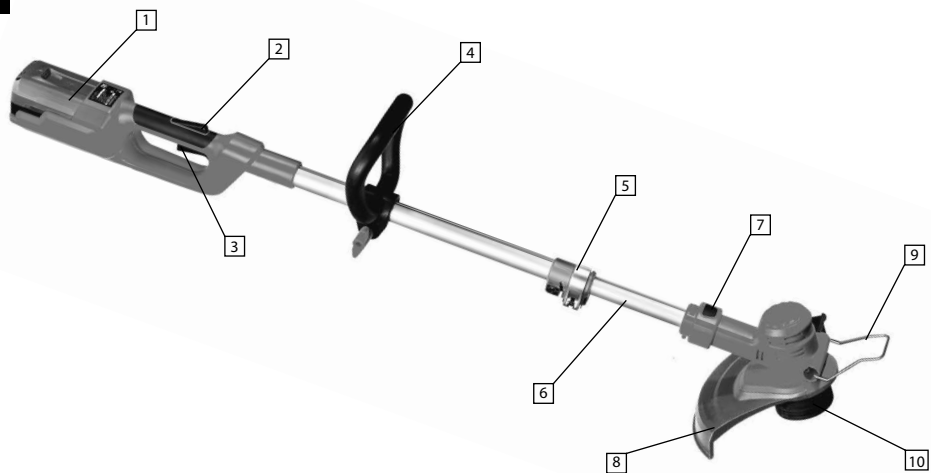
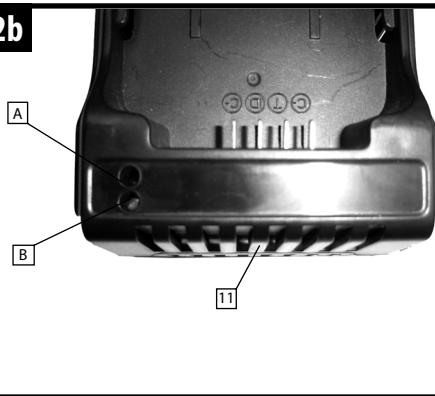
AFTER SALES SUPPORT



1300 922 271



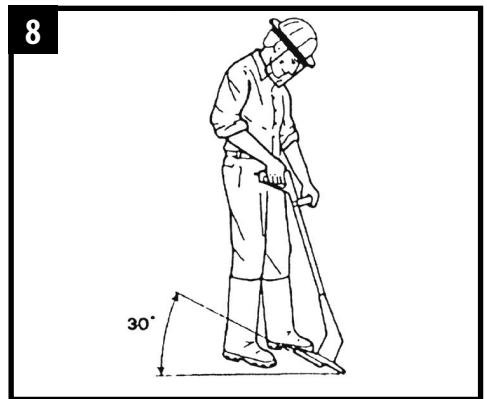
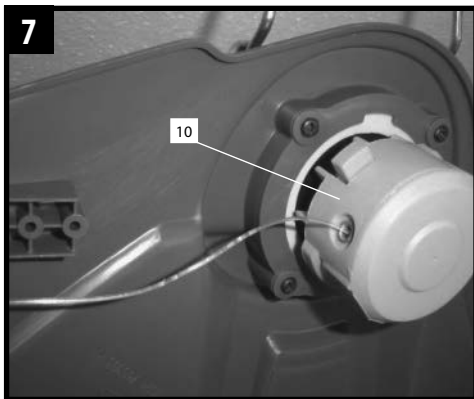
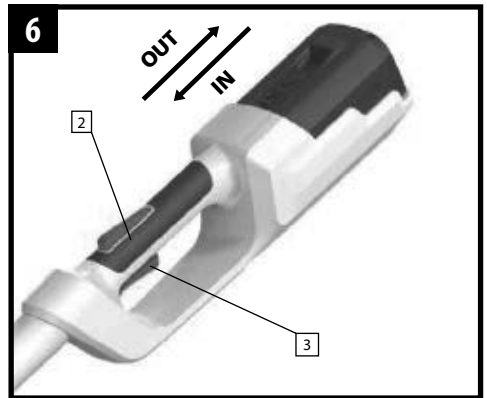
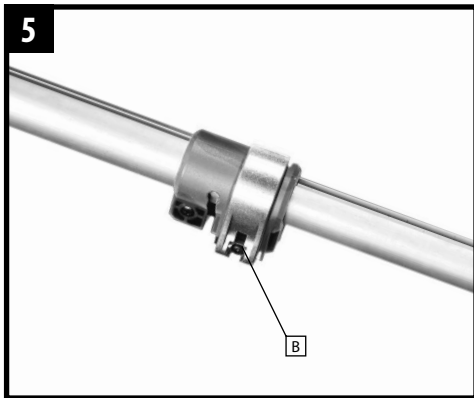
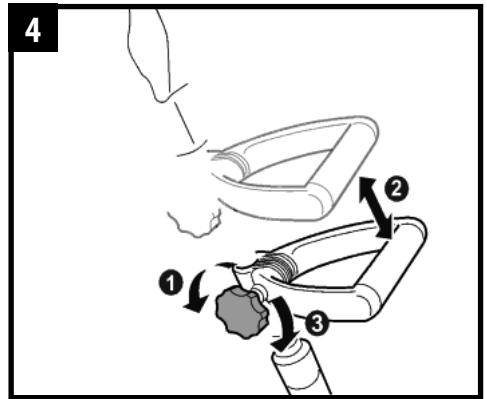
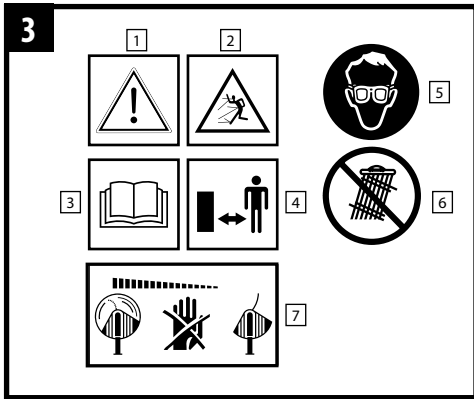
service.australia@isc-gmbh.info

1**2a****2b****AFTER SALES SUPPORT**

1300 922 271



service.australia@isc-gmbh.info



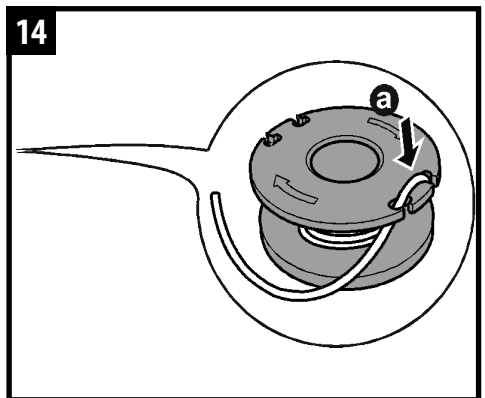
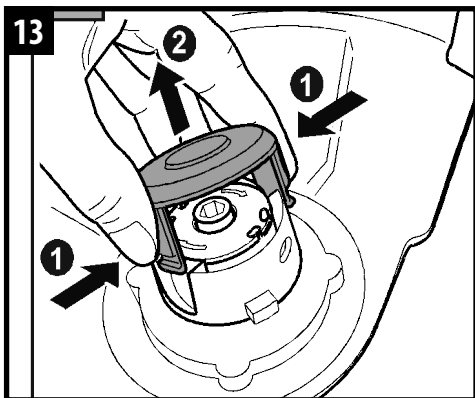
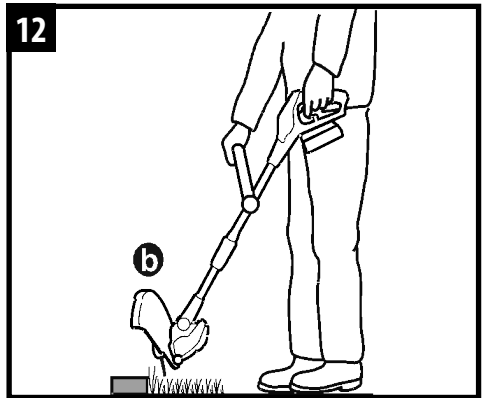
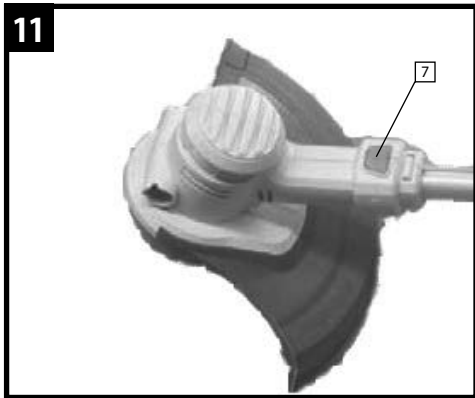
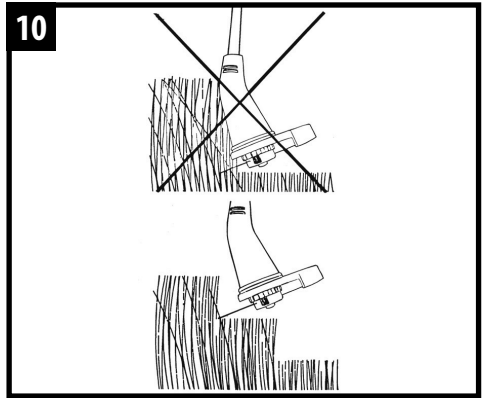
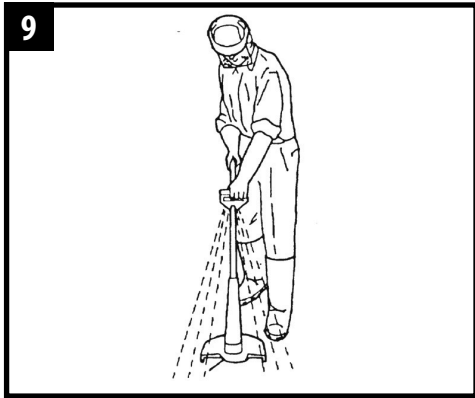
AFTER SALES SUPPORT



1300 922 271



service.australia@isc-gmbh.info



AFTER SALES SUPPORT

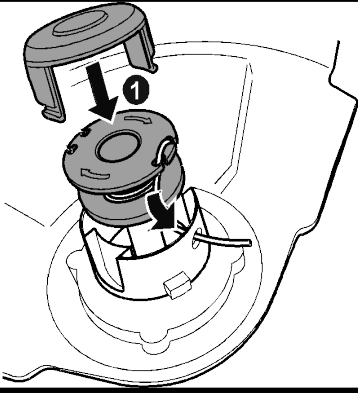


1300 922 271



service.australia@isc-gmbh.info

15



AFTER SALES SUPPORT



1300 922 271



service.australia@isc-gmbh.info

Important!

When using equipment, a few safety precautions must be observed to avoid injuries and damage. Please read the complete operating manual with due care. Keep this manual in a safe place, so that the information is available at all times. If you give the equipment to any other person, give them these operating instructions as well. We accept no liability for damage or accidents which arise due to non-observance of these instructions and the safety information.

Safety Information

1

CAUTION!

Read all safety regulations and instructions. Any errors made in following the safety regulations and instructions may result in an electric shock, fire and/or serious injury.
Keep all safety regulations and instructions in a safe place for future use.

Explanation of the warning signs on the machine (Figure 3)

1. Caution!
2. Keep third parties away from the danger zone!
3. Read the directions for use before putting into operation for the first time!
4. Keep a safe distance from the tool.
5. Wear safety goggles!
6. Protect from the damp!
7. The tool runs on after being switched off!

General safety regulations for this cordless tool

- This equipment is not designed to be used by people (including children) with limited physical, sensory or mental capacities or those with no experience and/or knowledge unless they are supervised by a person who is responsible for their safety or they have received instructions from such a person in how to use the equipment safely.
- Children must always be supervised in order to ensure that they do not play with the equipment.

Additional safety instructions

- Before you begin your work, examine the material you want to cut. Remove any foreign bodies. Continue to watch out for foreign bodies while you are working. If you come across any foreign bodies while cutting, turn off the machine and remove the items in question.

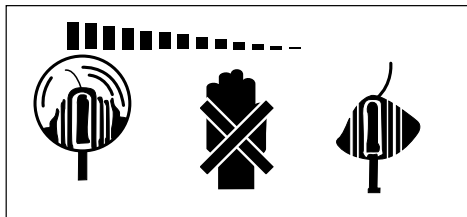
- Work only when visibility is adequate.
- Make sure you stand squarely at all times while working. Be careful when walking backwards. Tripping hazard!
- Never leave the equipment unsupervised in the work area. If you stop work for a while, leave the equipment in a safe place.
- If you stop your work in order to go to another area to work, you must make sure that the equipment is switched off while you are going there.
- Never use the equipment while it is raining or in damp or wet surroundings.
- Protect your equipment against moisture and rain.
- Before you switch on the equipment, check that the cutting unit will not touch any stones or other objects.
- Always wear suitable working clothes to prevent injuries to the head, hands and feet. For this purpose wear a helmet, safety goggles (or visor), high boots (or strong shoes and long trousers made of tough fabric) and work gloves.
- When the equipment is in operation, you must always hold it away from your body!
- Do not switch on the equipment when it is turned around or when it is not in working position.
- Switch off the motor when the equipment is not being used, when you leave it unsupervised, when checking the equipment, when removing or replacing the spool, or when transporting the equipment from one place to another.
- Keep the equipment away from other people, especially children, and from pets. There may be stones and other objects in the grass that is cut and thrown up.
- When you are working, keep a distance of at least 5m from other persons and pets.
- Do not cut against hard objects. This will help you to prevent causing injury to yourself and damage to the equipment.
- Use the edge of the safety guard to keep the equipment away from walls, different surfaces and fragile objects.
- Never use the equipment without the safety guard.

IMPORTANT! The safety guard is there to ensure your safety and the safety of others. It is also essential for the equipment to work correctly. Failure to comply with this instruction will invalidate your warranty as well as create a potential source of danger.



- Never use your hands to try to stop the cutting unit. Always wait for it to stop by itself.
- Use only genuine cutting units.
- Make sure that the air vents are free of dirt.
- Do not try to use the equipment to cut grass which is not growing on the ground; for example, do not try to cut grass growing on walls or stones, etc.
- The person operating the grass trimmer is liable for any damages sustained by third parties within the equipment's working radius as a result of its use.
- Do not cross roads or gravel paths with the equipment switched on.
- When you are not using the equipment, keep it in a dry place out of the reach of children.
- Use the equipment only in the way described in these operating instructions and always hold it perpendicular to the ground. Every other position is dangerous.
- Check at regular intervals that the screws are properly tightened.
- The area to be cut must always be kept cleared of cables and other objects.
- If the equipment has to be lifted for transporting, be sure to switch off the motor first and wait for the cutter to come to a standstill. Each time you leave the equipment, switch off the motor.
- Under no circumstances are you to cut against hard objects during use. This is imperative to prevent injury to yourself and damage to the equipment.
- Use only original replacement parts for repairs.
- Before starting up the equipment, and after any collision, check the equipment for signs of wear or damage and have any necessary repairs carried out.
- Always keep your hands and feet away from the cutting unit, especially when switching the motor on.
- Unplug the rechargeable battery before checking, cleaning or doing any work on the equipment and when it is not being used.

Important: The cutting unit continues to run for a few seconds after the motor is switched off. The cutter continues to rotate!



CAREFUL HANDLING AND USE OF CORDLESS EQUIPMENT

- Ensure that the equipment is switched off before you insert the battery.
- Inserting a battery into an cordless tool that is switched on can cause accidents.
- Only charge the batteries in chargers that are recommended by the manufacturer. A charger that is designed for a certain type of batteries may pose a fire risk if it is used with other types of batteries.
- Use only the correct batteries in the cordless tools. The use of other batteries may result in injuries and a fire risk.
- Keep unused batteries away from paper clips, coins, keys, nails, screws and other metallic objects that could cause a short circuit between the contacts. A short circuit between the battery contacts may cause burns or a fire.
- In case of incorrect use, fluid may escape from the battery. Avoid contact with it. If you touch it by mistake, rinse the affected area with water. If you get the fluid in your eyes, also seek medical advice. Leaking battery fluid can cause skin irritation or burns.

Additional safety instructions

We pay a great deal of attention to the design of every battery pack to ensure that we supply you with batteries which feature maximum power density, durability and safety. The battery cells have a wide range of safety devices. Each individual cell is initially formatted and its electrical characteristic curves are recorded. These data are then used exclusively to be able to assemble the best possible battery packs.

Despite all the safety precautions, caution must always be exercised when handling batteries.

The following points must be obeyed at all times to ensure safe use. Safe use can only be guaranteed if undamaged cells are used. Incorrect handling can cause cell damage.

Important: Analyses confirm that incorrect use and poor care are the main causes of the damage caused by high performance batteries.

AFTER SALES SUPPORT



1300 922 271



service.australia@isc-gmbh.info

Information about the battery

1. The battery pack supplied with your cordless tool is not charged. The battery pack has to be charged before you use the tool for the first time.
2. For optimum battery performance avoid low discharge cycles. Charge the battery pack frequently.
3. Store the battery pack in a cool place, ideally at 15°C and charged to at least 40%.
4. Lithium-ion batteries are subject to a natural ageing process. The battery pack must be replaced at the latest when its capacity falls to just 80% of its capacity when new. Weakened cells in an aged battery pack are no longer capable of meeting the high power requirements and therefore pose a safety risk.
5. Do not throw battery packs into an open fire. There is a risk of explosion!
6. Do not ignite the battery pack or expose it to fire.
7. **Do not exhaustively discharge batteries.** Exhaustive discharge will damage the battery cells. The most common cause of exhaustive discharge is lengthy storage or non-use of partly discharged batteries. Stop working as soon as the performance of the battery falls noticeably or the electronic protection system triggers. Place the battery pack in storage only after it has been fully charged.
8. **Protect batteries and the tool from overloads.** Overloads will quickly result in overheating and cell damage inside the battery housing without this overheating actually being apparent externally.
9. **Avoid damage and shocks.** Replace batteries which have been dropped from a height of more than one metre or which have been exposed to violent shocks without delay, even if the housing of the battery pack appears to be undamaged. The battery cells inside the battery may have suffered serious damage. In this respect, please also read the waste disposal information.
10. If the battery pack suffers overloading and overheating, the integrated protective cut-off will switch off the equipment for safety reasons.
Important. Do not press the ON/OFF switch any more if the protective cut-off has actuated. This may damage the battery pack.
11. Use only original battery packs. The use of other batteries may result in injuries, explosion and a fire risk.

Information on chargers and the charging process

1. Please check the data marked on the rating plate of the battery charger. Be sure to connect the battery charger to a power supply with the voltage marked on the rating plate. Never connect it to a different mains voltage.
2. Protect the battery charger and its cable from damage and sharp edges. Have damaged cables repaired without delay by a qualified electrician.
3. Keep the battery charger, batteries and the cordless tool out of children's reach.
4. Do not use damaged battery chargers.
5. Do not use the supplied battery charger to charge other cordless tools.
6. In heavy use the battery pack will become warm. Allow the battery pack to cool to room temperature before commencing with the charging.
7. Do not over-charge batteries.

Do not exceed the maximum charging times.

- These charging times only apply to discharged batteries. Frequent insertion of a charged or partly charged battery pack will result in over-charging and cell damage. Do not leave batteries in the charger for days on end.
8. Never use or charge batteries if you suspect that the last time they were charged was more than 12 months previously. There is a high probability that the battery pack has already suffered dangerous damage (exhaustive discharge).
 9. Charging batteries at a temperature below 10°C will cause chemical damage to the cell and may cause a fire.
 10. Do not use batteries which have heated during the charging process, as the battery cells may have suffered dangerous damage.
 11. Do not use batteries which have suffered curvature or deformation during the charging process or which show other non-typical symptoms (gassing, hissing, cracking, etc).
 12. **Never fully discharge the battery pack** (recommended depth of discharge max. 80%) A complete discharge of the battery pack will lead to premature ageing of the battery cells.
 13. Never charge the batteries unsupervised.



Protection from environmental influences

1. Wear suitable work clothes. Wear safety goggles.
2. Protect your cordless tool and the battery charger from moisture and rain. Moisture and rain can cause dangerous cell damage.
3. Do not use the cordless tool or the battery charger near vapors and inflammable liquids.
4. Use the battery charger and cordless tools only in dry conditions and an ambient temperature of 10-40°C.
5. Do not keep the battery charger in places where the temperature is likely to reach over 40°C. In particular, do not leave the battery charger in a car that is parked in the sunshine.
6. Protect batteries from overheating. Overloads, over-charging and exposure to direct sunlight will result in overheating and cell damage. Never charge or work with batteries which have been overheated – replace them immediately if possible.
7. Storage of batteries, battery chargers and cordless tools. Store the charger and your cordless tool only in dry places with an ambient temperature of 10-40°C. Store your lithium-ion battery pack in a cool, dry place at a temperature of 10-20°C. Protect them from humidity and direct sunlight. Only place fully charged batteries in storage (charged at least 40%).
8. Prevent the lithium-ion battery pack from freezing. Battery packs which were stored below 0°C for more than 60 minutes must be disposed of.
9. When handling batteries beware of electrostatic charge: Electrostatic discharges cause damage of the electronic protection system and the battery cells. Avoid electrostatic charging and never touch the battery poles.



Batteries contain substances harmful to the environment. Never place batteries in your household refuse, in fire or in water. Batteries should be collected, recycled or disposed of in an environmentally friendly way. Seek advice on correct disposal from local waste authorities.

Do not lose this safety information.

Layout (Fig. 1/2)

2

1. Battery
2. Safety lock-off
3. On/Off switch
4. Additional handle
5. Height adjustment
6. Shaft
7. Button for angle adjustment
8. Safety hood
9. Flower guard
10. Line spool
11. Charger
12. Pushbutton for battery indicator
13. Battery indicator

Items Supplied

3

- Open the packaging and take out the equipment with care.
- Remove the packaging material and any packaging and/or transportation braces (if available).
- Check to see if all items are supplied.
- Inspect the equipment and accessories for transport damage.
- If possible, please keep the packaging until the end of the guarantee period.

AFTER SALES SUPPORT



1300 922 271



service.australia@isc-gmbh.info

Important!

The equipment and packaging material are not toys. Do not let children play with plastic bags, foils or small parts.

There is a danger of swallowing or suffocating!

- Cordless Grass Trimmer
- 36V; 2.6Ah Battery
- Charger
- Safety guard
- Flower guard
- Line spool
- Instruction Guide
- Quick Start Guide
- Warranty Certificate
- Warranty Sticker

Intended Use

4

The equipment is designed for cutting the edges of lawns and small areas of grass in private and hobby gardens.

Tools for private and hobby gardens are not suitable for use in public facilities, parks and sport centres, along roadways, on farms or in the forestry sector.

For the tool to be used properly it is imperative to follow the instructions set out in the manufacturer's directions for use.

Important! It is prohibited to use the tool to chop material for composting because of the potential danger to persons and property.

The machine is to be used only for its prescribed purpose. Any other use is deemed to be a case of misuse. The user / operator and not the manufacturer will be liable for any damage or injuries of any kind caused as a result of this.

Please note that our equipment has not been designed for use in commercial, trade or industrial applications. Our warranty will be voided if the machine is used in commercial, trade or industrial businesses or for equivalent purposes.

Residual risks

Even when the equipment is used properly, a certain residual hazard cannot be ruled out. The following potential dangers may arise in connection with the equipment's design and construction:

- Reaching into the cutting tool while it is rotating (injuries through cutting)
- Catapulting of parts of the material being cut
- Damage to hearing if the compulsory hearing protection is not used
- Inhaling of particles of the material being cut.

Technical Data

5

Battery Voltage	36V DC
Capacity	2.6 Ah
Charger output voltage	42V DC
Charger current voltage	2 A
No load speed	7500rpm
Cutting width	300 mm
Line diameter	1.6 mm
Weight	4.0 kg
Charging time	100 min

Sound and Vibration

Sound pressure level LpA	81 dB(A)
Uncertainty KpA	3 dB
Sound power level LWA	96 dB(A)
Uncertainty KWA	3 dB

Wear ear-protectors.

The impact of noise can cause damage to hearing.

Functions

Vibration emission value ah: <2.5 m/s²

K uncertainty = 1.5 m/s²

Reduce noise generation and vibration to a minimum!

- Use only equipment that is in perfect condition.
- Maintain and clean the equipment regularly.
- Adopt your way of working to the equipment.
- Do not overload the equipment.
- Have the equipment checked if necessary.
- Switch off the equipment when not in use.
- Wear gloves.

Before starting the equipment

6

6.1 Installing the safety guard and flower guard

- Place the safety guard on the trimmer (Fig. 1/ Item 8) and secure to the trimmer using the securing screw
- Clip the flower guard (Fig.1/ Item 9) into position on the motor head of the trimmer

AFTER SALES SUPPORT



1300 922 271



service.australia@isc-gmbh.info

6.2 Installing the additional handle (Fig. 4)

Undo the securing screw from the handle and then place the handle on the main handle (Fig. 4) and secure it with the screw.

6.3 Adjusting the line (Fig. 7)

Important! Remove the battery from the tool before doing any work.

To adjust the length of the line, push the button as shown in Fig. 7 and pull the line slowly. Repeat pushing the button till the line has the required length.

6.4 Height adjustment (Fig. 5)

Undo the lever (Fig. 5/Item b) until the grass trimmer handle can be moved in and out freely. Now set the required working height and secure in this position by tightening the lever (b) again.

6.5 Battery (Fig. 2a/ Item 11)

The equipment is fitted with a lithium-ion battery. The battery pack is completely closed and maintenance free.

6.5.1 Battery charge level indicator (Fig. 2a)

The battery pack is equipped with a pushbutton for checking the charge level. Simply press the pushbutton (Figure 2a/Item 13) to read off the battery level from the LEDs of the battery indicator (Fig. 2b/ Item 14):

- All 3 level monitoring LEDs are lit: Battery charge level is high.
- 2 level monitoring LEDs are lit: Battery charge level is decreasing. Stop work as soon as possible.
- 1 level monitoring LED is lit: Battery is flat. Stop work IMMEDIATELY and charge the battery. Otherwise the battery's service life will be greatly shortened.

6.5.2 Charging the battery

- Pull the pushlock button (Fig. 6/ Item c) and pull the battery pack (11) out of the equipment as shown in Fig. 6.
- Check that your mains voltage is the same as that marked on the rating plate of the battery charger. Insert the power plug of the charger into the mains socket outlet. The LED A (Fig. 2b) will then illuminate in green.
- Push the battery onto the charger as shown in Fig. 2a. The LED B will illuminate in red while LED A is still green (Fig. 2b).
- The battery is fully charged when LED A and B (Fig. 2b) are illuminated in green.
- Pull the pushlock button (Fig. 2a/ Item c) and pull the battery pack (11) out of the charger.
- Place the recharged battery into the equipment as shown in Fig. 6

If the rechargeable battery pack fails to charge, check whether there is voltage at the socket outlet.

If you still fail to charge the battery pack, please call our customer service center on 1300 922 271.

Timely recharging of the battery will help it serve you well for a long time. You must recharge the battery pack when you notice that the power of the equipment drops.

Never allow the battery pack to become fully discharged. This will cause it to develop a defect.

Operations

7

Your grass trimmer will work at its best if you observe the following instructions:

- Never use the grass trimmer without its safety devices.
- Do not cut grass when it is wet. The best results are had on dry grass.
- To switch on your grass trimmer, press the safety lock-off (Fig. 1/ Item 2) and the ON/OFF switch (Fig.1/ Item 3).
- To switch off your grass trimmer, let go of the ON/OFF switch (Fig. 1/ Item 3).
- Do not move the grass trimmer against the grass until the switch is pressed, i.e. wait until the trimmer is running.
- For the correct cutting action, swing the grass trimmer to the side as you walk forward, holding it at an angle of approx. 30° as you do so (see Figure 8-9).
- Make several passes to cut long grass shorter step by step from the top (see Figure 10).
- Use the safety guard to prevent unnecessary wear.
- To avoid unnecessary wear, keep the grass trimmer away from hard objects.

Using the grass trimmer as an edge trimmer

- The grass trimmer can be adjusted as follows to trim the edge of lawns and beds.
- Remove the battery.
- Press the setting button (Fig. 11 / Item 7) and turn the top handle through 180° until it locks.
- The grass trimmer can thus be adjusted for use as an edge trimmer for making vertical cuts on on the grass (Fig. 12).



Cleaning, Maintenance and Ordering Spare Parts

8

Disposal and Recycling

10

Turn off and remove the rechargeable battery from the grass trimmer, before putting down or cleaning.

8.1 Cleaning

- Keep all safety devices, air vents and the motor housing free of dirt and dust as far as possible.
- Wipe the equipment with a clean cloth or blow it with compressed air at low pressure.
- We recommend that you clean the device immediately each time you have finished using it.
- Clean the equipment regularly with a moist cloth and some soft soap. Do not use cleaning agents or solvents; these could attack the plastic parts of the equipment. Ensure that no water can seep into the device.
- Remove deposits from the guard hood with a brush

8.2 Replacing the spool (Fig. 13, 14a & 14b)

IMPORTANT! Make sure that you remove the battery pack before replacing the spool

- To remove the spool, push the buttons on the side inwards and remove the cover by pulling it up as shown in Figure 13.
- Place the spool onto the trimmer as shown in Fig. 14a & 14b and put the cover back on.

8.3 Maintenance

- There are no parts inside the equipment which require additional maintenance.

8.4 Ordering replacement parts

Please call our customer service center on 1300 922 271 and provide the following information on all orders for spare parts:

- Model/type of the equipment
- Article number of the equipment
- ID number of the equipment
- Spare part number of the required spare part

Storage and Transport

9

Store the equipment and accessories out of children's reach in a dark and dry place at above freezing temperature. The ideal storage temperature is between 0-40°C for the cordless tool and charger and between 10 and 20°C for the Li-Ion battery. Store the electric tool in its original packaging.

AFTER SALES SUPPORT



1300 922 271



service.australia@isc-gmbh.info

AFTER SALES SUPPORT



1300 922 271



service.australia@isc-gmbh.info

GARDENLINE® is a registered trademark of ALDI Stores.

ALDI Guarantee

Specially made for ALDI Stores to our stringent quality specifications. If you are not entirely satisfied with this product, please return it to your nearest ALDI Store, within 60 days from the date of purchase, for a full refund or replacement, or take advantage of our after sales support by calling the Customer Service Hotline.

ALDI STORES
1 SARGENTS ROAD
MINCHINBURY NSW 2770
www.aldi.com.au

02/2014
Art.Nr: 34.106.70-11013

AFTER SALES SUPPORT



1300 922 271



service.australia@isc-gmbh.info