

# *challenge* **xtreme**

## **Original Operating Instruction Petrol Grass Trimmer CX-PT 2538**

**WARNING! PLEASE READ THESE INSTRUCTIONS  
BEFORE OPERATING THIS UNIT**

**KEEP THIS MANUAL FOR FUTURE REFERENCE**

**CE**

**Art.-Nr.:34.018.51**

**I.-Nr.:11010**

**CX-PT 2538**

# *challenge* **xtreme**

## **Petrol Grass Trimmer CX-PT 2538**

**WARNING! PLEASE READ THESE INSTRUCTIONS  
BEFORE OPERATING THIS UNIT**

**KEEP THIS MANUAL FOR FUTURE REFERENCE**



**EH-Art.-No.:34.018.51**

**I.-Nr.:11010**

**CX-PT 2538**

### **Safety information:**

1. Read the directions with due care. Familiarize yourself with the settings and proper operation of the machine.
2. Never allow children or other persons who are not familiar with the operating instructions to use the petrol power scythe.
3. Never mow in the direct vicinity of persons - especially children - or animals. Warning: Maintain a safety distance of 15m. If approached, switch off the appliance immediately. Always keep in mind that the machine operator or user is responsible for accidents involving other persons and/or their property.

### **Preliminary measures**

1. Always wear sturdy, non-slip footwear and long trousers when mowing. Never operate whilst barefoot or in sandals.
2. Check the grounds on which the machine will be used and remove all objects that could be caught up and violently flung out.
3. Warning: Petrol is highly flammable! Therefore: - Only store petrol in containers designed to hold petroleum-based liquids.
  - Only refuel out in the open and do not smoke during the refueling process.
  - Always refuel before starting the engine. Do not open the fuel tank cap and do not refuel when the engine is running or when the grass trimmer is hot.

- If petrol has overflowed, do not under any circumstances attempt to start the engine. Instead, remove the machine from the affected area. Avoid starting the engine until the petrol fumes have completely evaporated.
  - For safety reasons, the petrol tank and other tank closures must be replaced if they are damaged.
4. Replace defective exhausts.
  5. Before using the grass trimmer visually, inspect it to ensure that the blade, mounting bolts and the entire cutting apparatus are in good working order (i.e. not worn out or damaged). To prevent any imbalance, replace worn out or damaged blades and mounting bolts as a set only (if applicable).

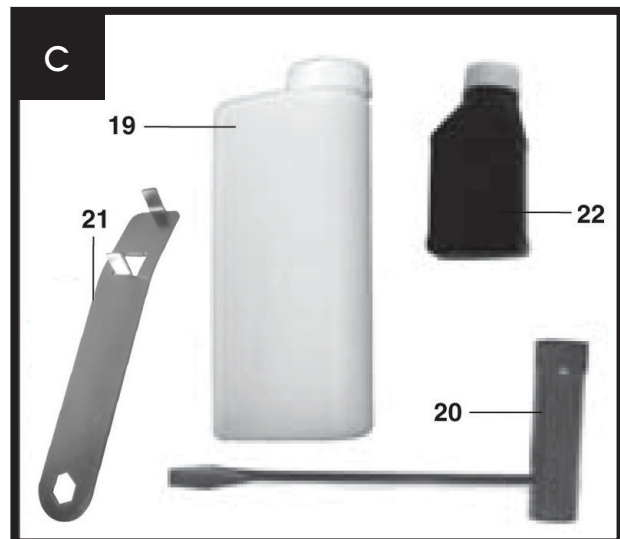
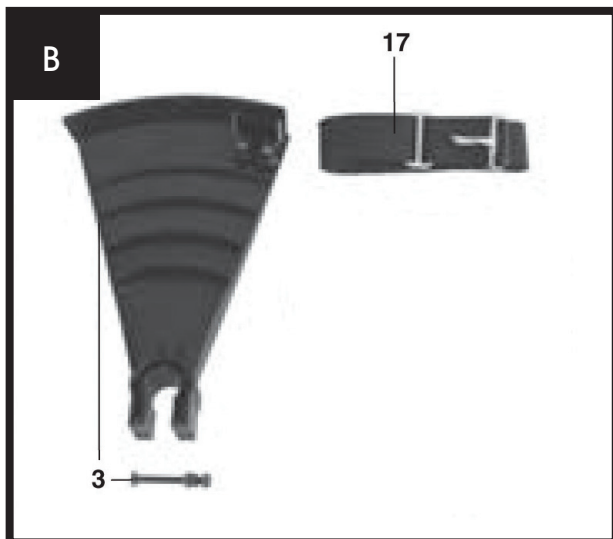
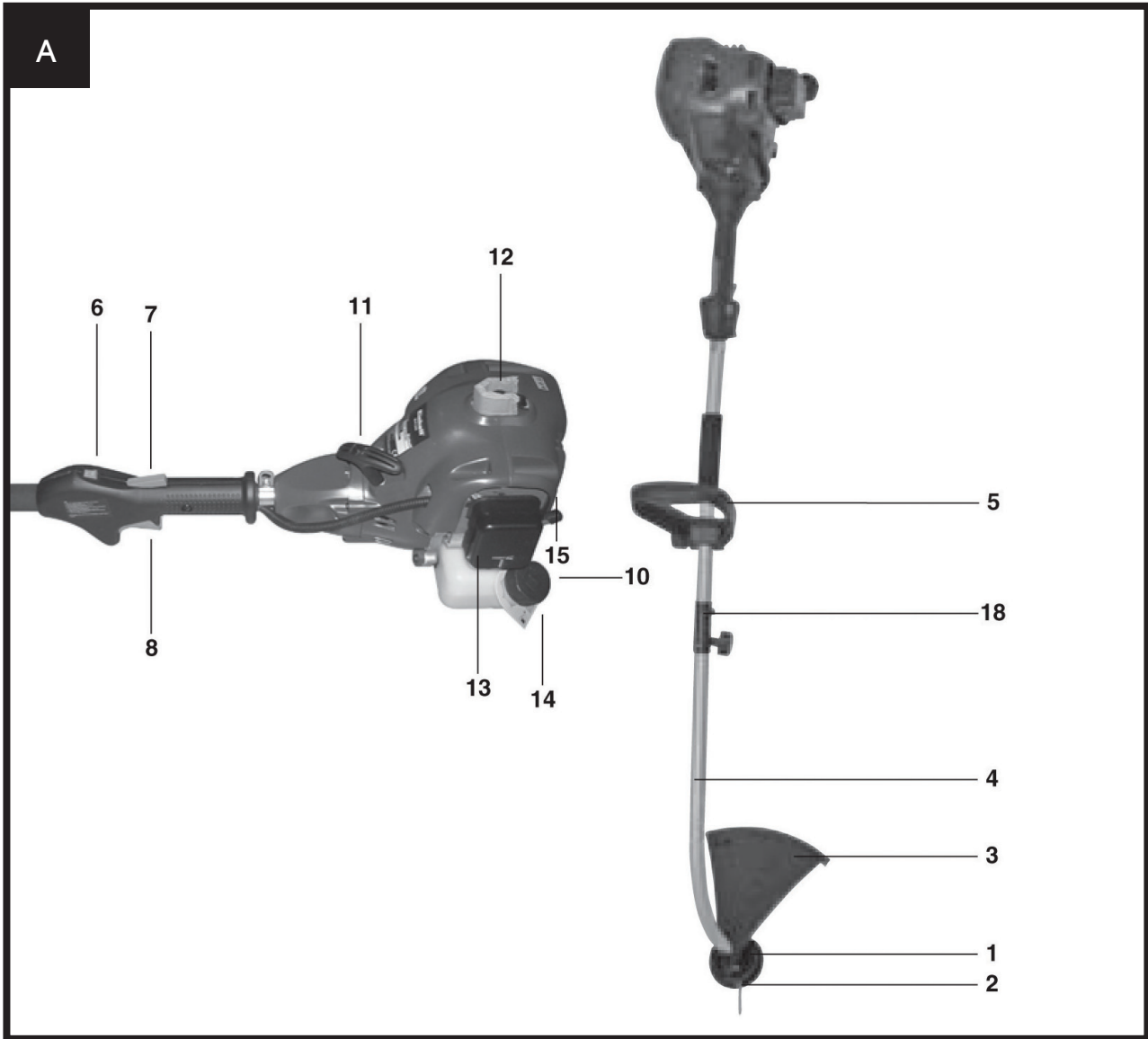
### **Handling**

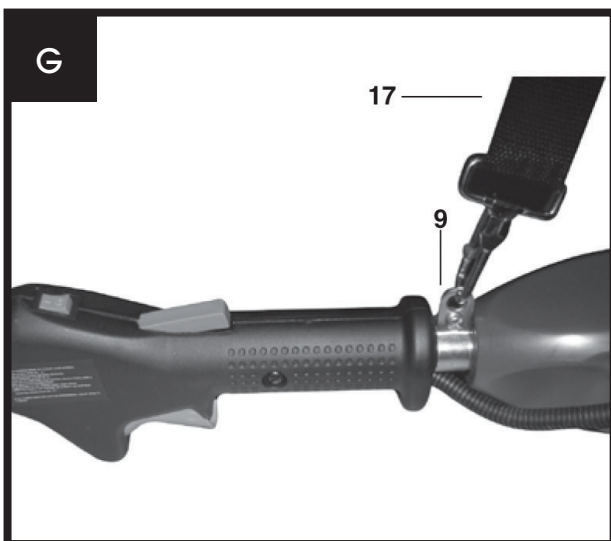
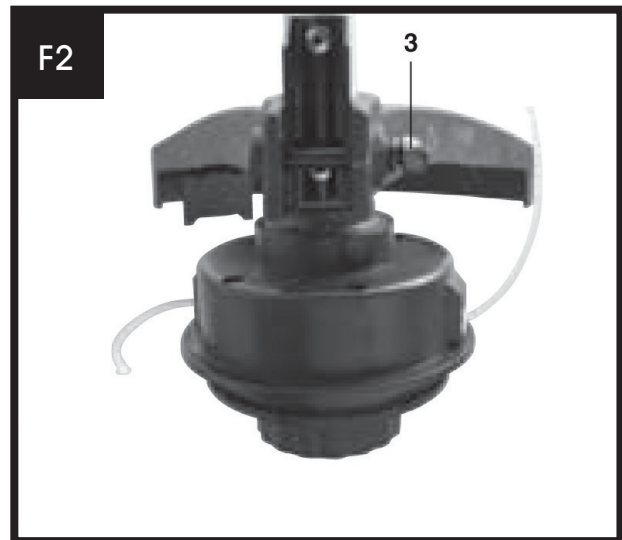
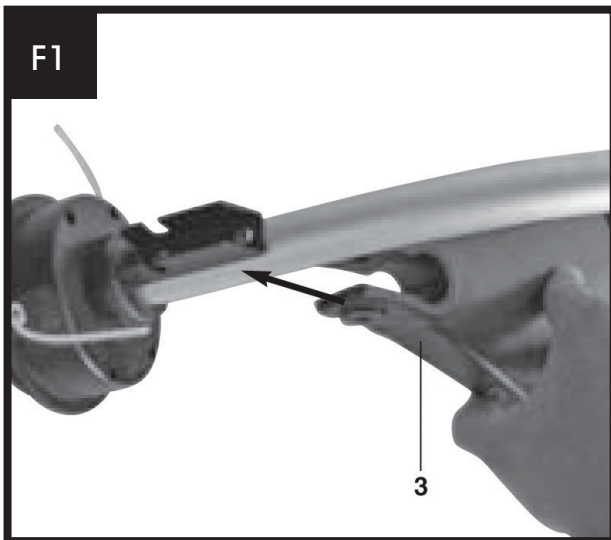
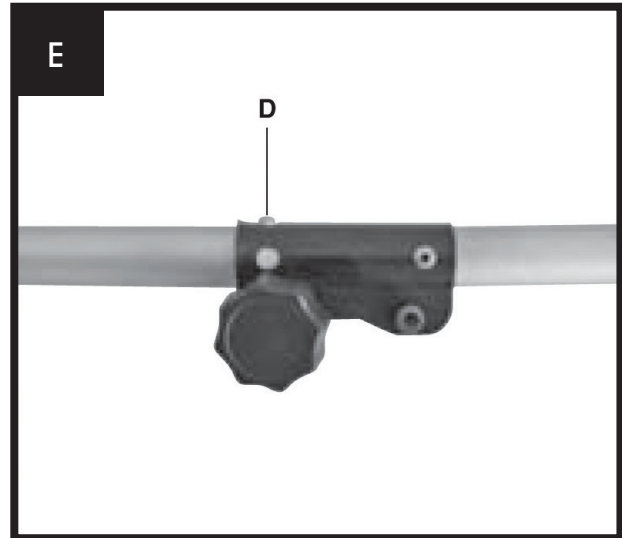
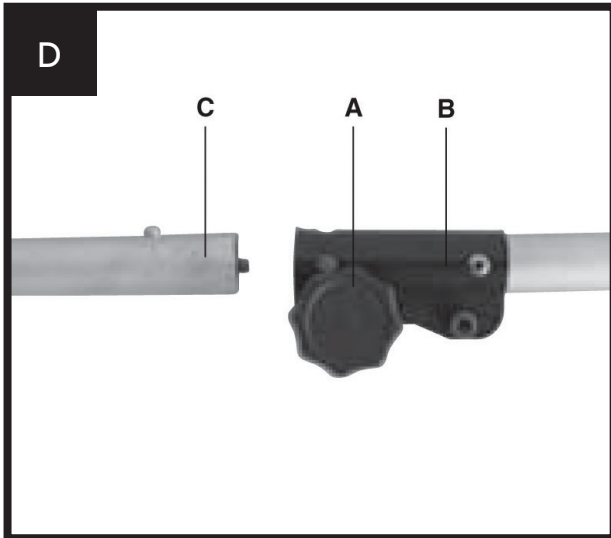
1. Wear close fitting, tough work clothing that will provide protection, such as long slacks or trousers, safety work shoes, heavy duty work gloves, hard hat, a safety face shield, or safety glasses for eye protection and a good grade of ear plugs or ear defenders for hearing protection.
2. Store in a safe place. Open fuel cap slowly to release any pressure which may have formed in fuel tank. To prevent a fire hazard, move at least 10 feet (3 meters) from fueling area before starting.
3. Turn unit off before setting it down.
4. Always hold unit firmly with both hands, the thumb and fingers encircling the handles.

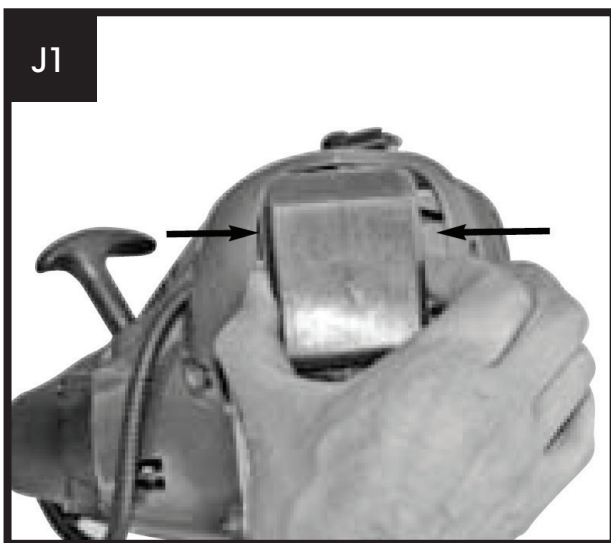
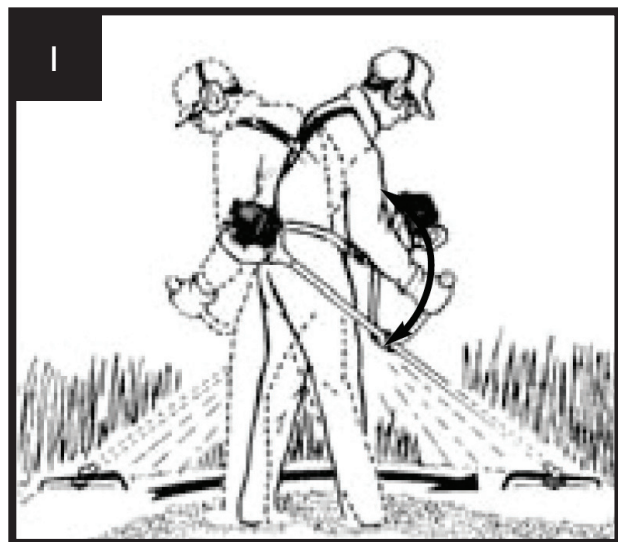
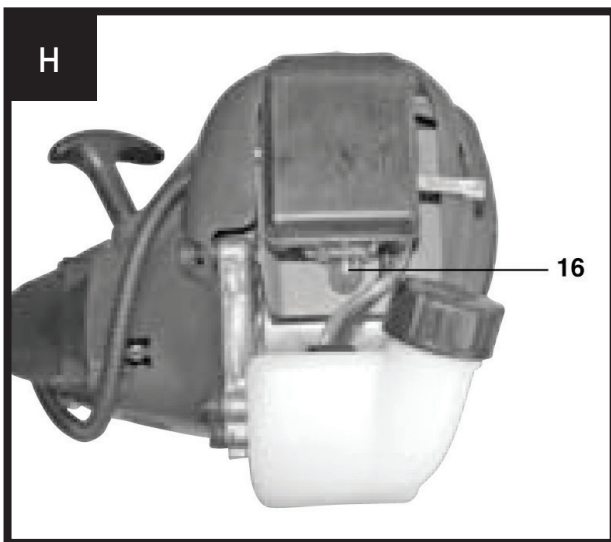
5. Keep all screws and fasteners tight. Never operate your equipment when it is improperly adjusted or not completely and securely assembled.
6. Keep handles dry, clean and free of fuel mixture.
7. Keep the line spool as close to ground as practical. Avoid hitting small objects with the line spool. When cutting on a slope, stand below the line spool. NEVER cut or trim on a hill or slope, etc. if there is the slightest chance of slipping, sliding or losing firm footing.
8. Check area you will be trimming for debris that may be struck or thrown during operation.
9. Keep all parts of your body and clothing away from the line spool when starting or running engine. Before starting engine, make sure the line spool will not come in contact with any obstacle.
10. Stop engine before examining cutting line.
11. Store equipment away from possible flammable materials, such as gas-powered water heaters, clothes dryers, or oil-fired furnaces, portable heaters, etc.
12. Always keep the debris shield, the line spool, and engine free of debris build-up.
13. Operation of equipment should always be restricted to mature and properly instructed individuals.
14. If unfamiliar with trimming techniques, practice the procedures with engine in "OFF" position.
15. Always clear work area of debris such as cans, bottles, rocks, etc. Striking objects can cause serious injury to the operator or bystanders and also damage equipment. If an object is accidentally hit, immediately turn engine off and examine equipment. Never operate unit with damaged or defective equipment.
16. Always trim or cut at high engine speeds. Do not run engine slowly at start or during trimming operations.
17. Do not use equipment for purposes other than trimming or mowing weeds.
18. Never raise the line spool above knee height during operation.
19. Do not operate unit with other people or animals in the immediate vicinity. Allow a minimum of 50 feet (15 meters) between operator and other people and animals when trimming or mowing. Allow a distance of 100 feet (30 meters) between operator and other people and animals when scalping with the line spool cutter.
20. If operating unit on a slope, stand below the cutting attachment. Do not operate on a slope or hilly incline if there is the slightest chance of slipping or losing your footing.

## **Additional safety instructions**

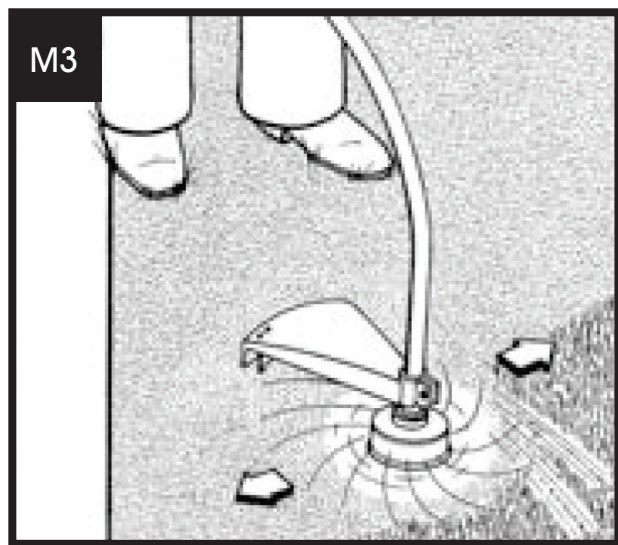
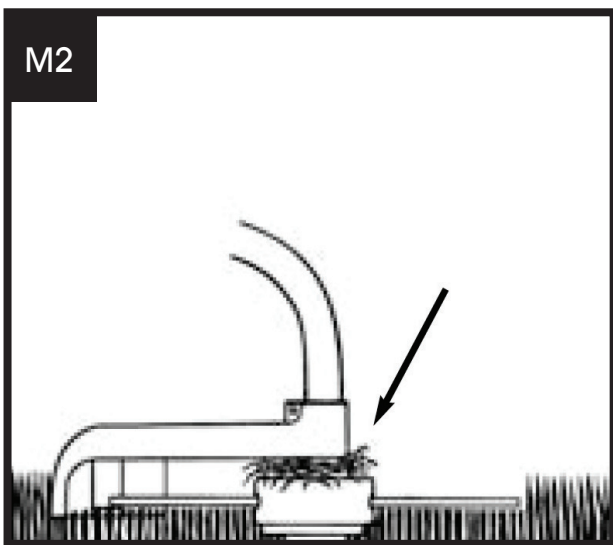
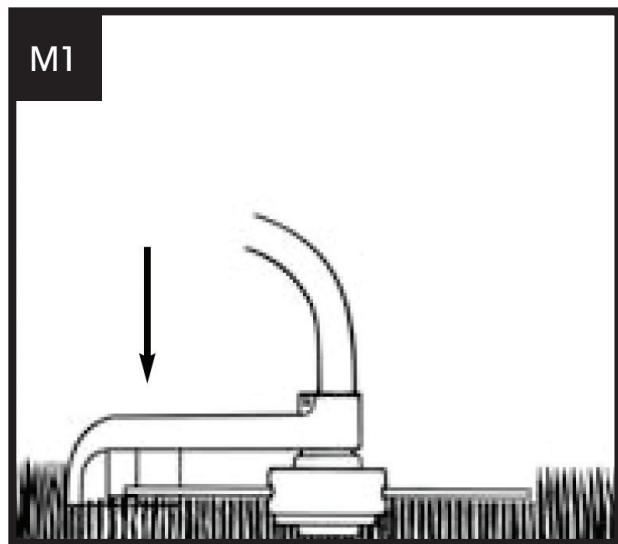
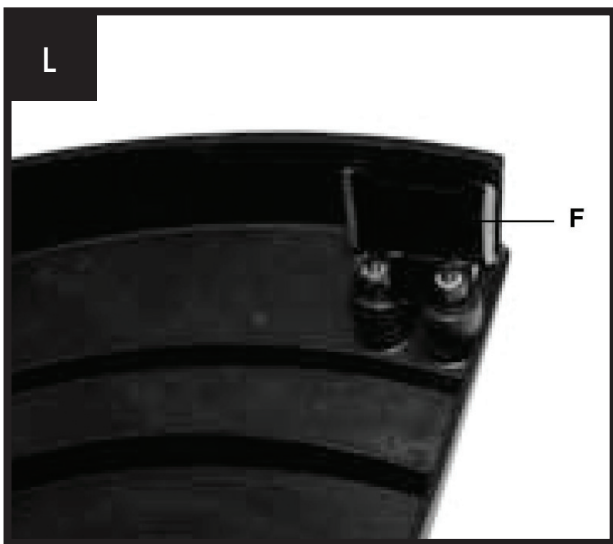
1. DO NOT USE ANY OTHER FUEL than that recommended in your manual. Always follow instructions in the Fuel and Lubrication section of this manual. Never use petrol unless it is properly mixed with 2 stroke engine lubricant. Permanent damage to engine will result, voiding manufacturer's warranty.
2. DO NOT SMOKE while refueling or operating equipment.
3. DO NOT OPERATE UNIT WITHOUT AN EXHAUST and properly installed exhaust shield.
4. DO NOT TOUCH or let your hands or body come in contact with the exhaust. Hold unit with thumbs and fingers encircling the handles.
5. DO NOT OPERATE UNIT IN AWKWARD POSITIONS, off balance, outstretched arms, or one-handed. Always use two hands when operating unit with thumbs and fingers encircling the handles.
6. DO NOT RAISE THE LINE SPOOL above ground level while unit is operating. Injury to operator could result.
7. DO NOT USE UNIT FOR ANY PURPOSES OTHER than trimming lawn or garden areas.
8. DO NOT OPERATE UNIT FOR PROLONGED PERIODS. Rest periodically.
9. DO NOT OPERATE UNIT WHILE UNDER THE INFLUENCE OF ALCOHOL OR DRUGS.
10. DO NOT OPERATE UNIT UNLESS DEBRIS SHIELD AND/OR GUARD IS INSTALLED AND IN GOOD CONDITION.
11. DO NOT ADD, REMOVE OR ALTER ANY COMPONENTS OF THIS PRODUCT. Doing so could cause personal injury and/or damage the unit voiding the manufacturer's warranty.
12. DO NOT operate your unit near or around flammable liquids or gases whether in or out of doors. An explosion and/or fire may result.
13. DO NOT USE ANY OTHER CUTTING TOOLS. For your own safety only use the accessories and additional equipment specified in the operating manual or recommended or specified by the manufacturer. The use of tools or accessories other than those recommended in the operating manual or catalog may place you in danger of personal injury.

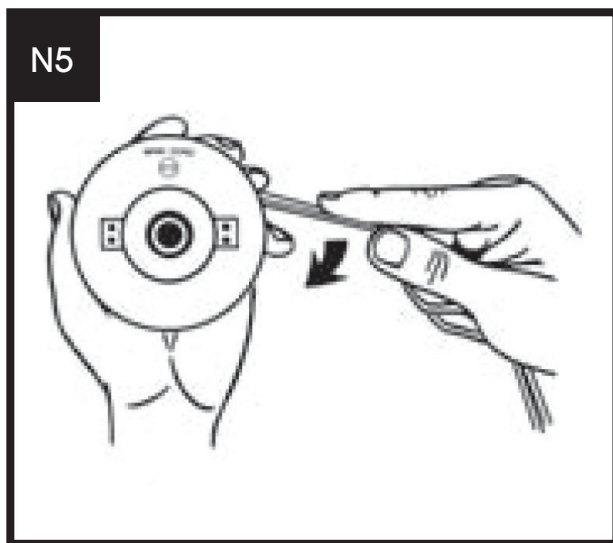
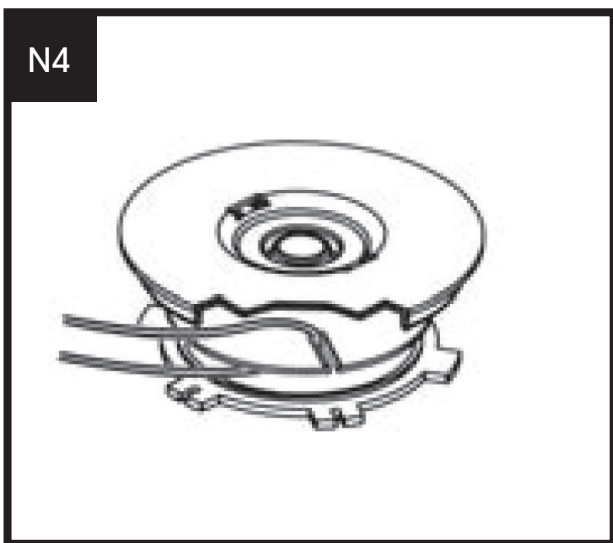
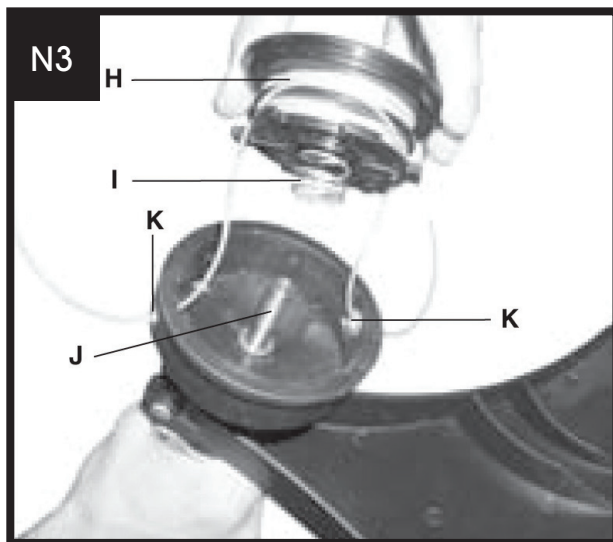
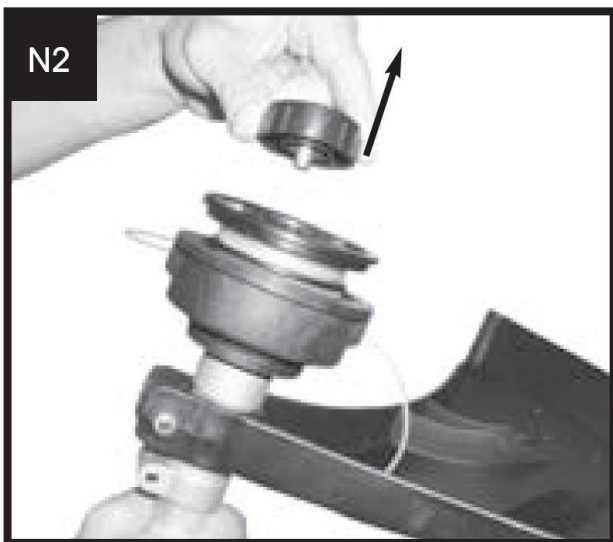
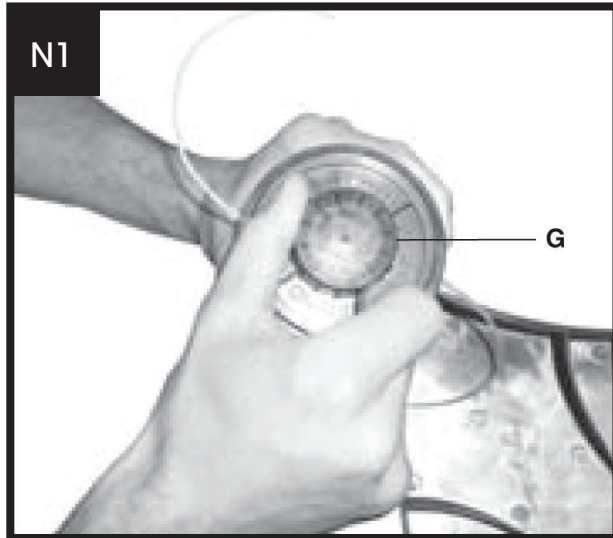
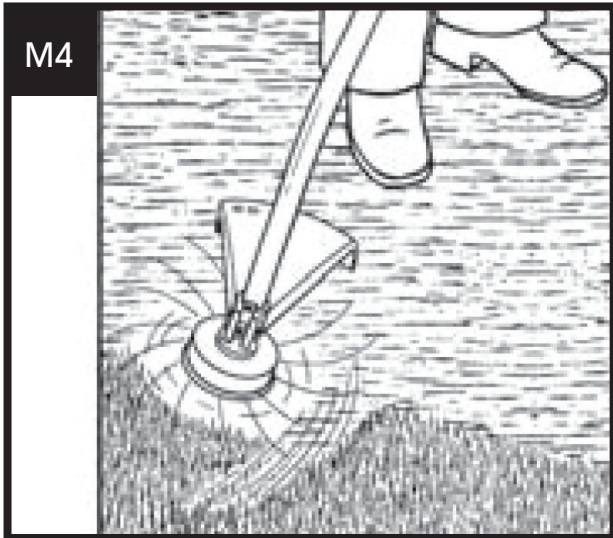




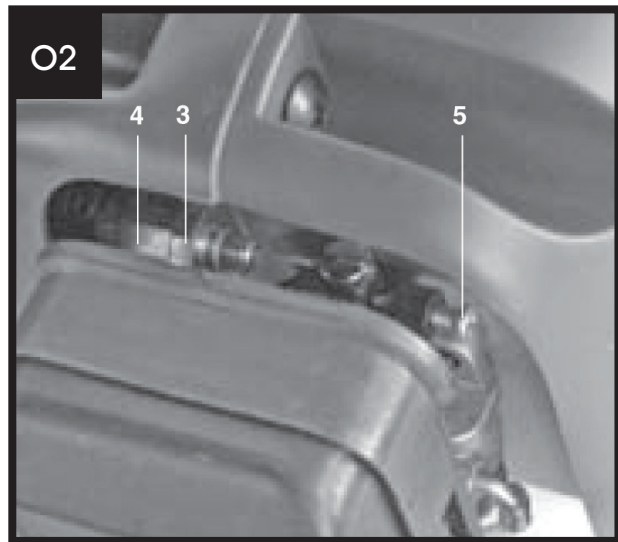
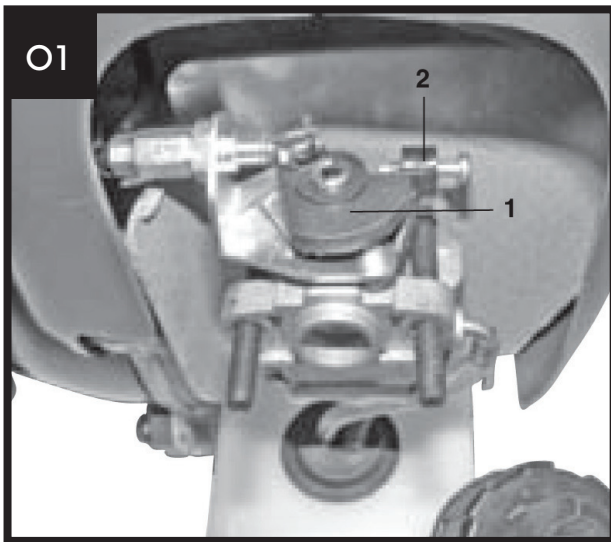
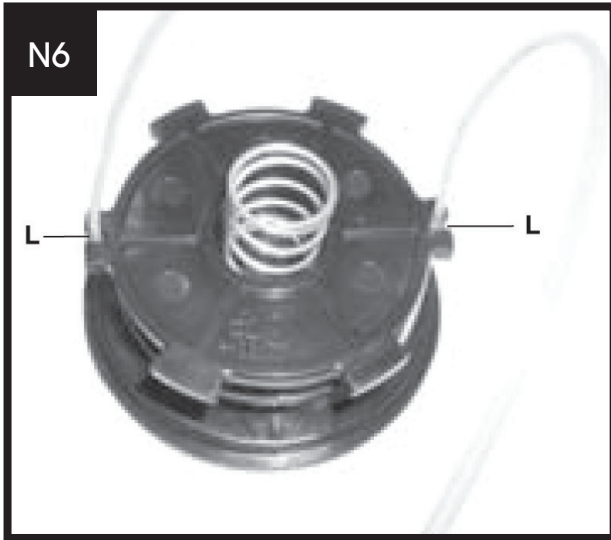












## **Table of contents**

1. Safety Regulations
2. Layout and items supplied
3. Intended use
4. Technical data
5. Before starting the equipment
6. Operation
7. Cleaning, maintenance, storage, transport and ordering of spare parts
8. Disposal and recycling
9. Troubleshooting

### **⚠ Important!**

**Please read and follow the operating information before using for the first time. When using the equipment, a few safety precautions must be observed to avoid injuries and damage.**

Please read the complete operating instructions and safety regulations with due care. Keep this manual in a safe place, so that the information is available at all times. If you give the equipment to any other person, hand over these operating instructions and safety regulations as well. We cannot accept any liability for damage or accidents which arise due to a failure to follow these instructions and the safety instructions.

## **1. Safety regulations**

The corresponding safety information can be found in the enclosed booklet.

### **⚠ CAUTION!**

**Read all safety regulations and instructions.**

Any errors made in following the safety regulations and instructions may result in an electric shock, fire and/or serious injury.

**Keep all safety regulations and instructions in a safe place for future use.**

### **Safety devices**

When working with the equipment, the appropriate plastic Safety Guard for cutting blade mode or cutting line mode must be fitted to prevent objects being thrown out by the equipment.

The integrated blade in the cutting line Safety Guard automatically cuts the line to the optimum length.

## **2. Machine description and items supplied (Fig. A – C)**

1. Cutting head
2. Cutting line
3. Safety Guard
4. Long handle with drive shaft
5. Additional handle
6. Engine switch "ON/OFF"
7. Throttle lever "release"
8. Throttle lever
9. Fastening eyelet
10. Choke lever
11. Starter cable
12. Spark plug boot
13. Air filter housing cover
14. Petrol tank
15. Housing for engine cooler and starter
16. Fuel pump "primer"
17. Carrying strap

18. Connecting piece for long handle
19. Combined oil/petrol cylinder
20. Spark plug wrench
21. Key/spanner for changing the spool
22. 2-stroke oil

## **3. Proper use**

The machine is designed for cutting lawns and grassed areas.

**Important.** Due to the high risk of bodily injury to the user, the petrol power grass trimmer must not be used to carry out the following work: to clean (suck up) dirt and debris off walkways, or to chop up tree or hedge clippings. Moreover, the petrol power grass trimmer may not be used to level out high areas such as molehills. For safety reasons, the petrol power grass trimmer may not be used as a drive unit for other work tools or toolkits of any kind.

The machine is to be used only for its prescribed purpose. Any other use is deemed to be a case of misuse. The user/operator and not the manufacturer will be liable for any damage or injuries of any kind caused as a result of this.

Please note that our equipment has not been designed for use in commercial, trade or industrial applications. Our warranty will be voided if the machine is used in commercial, trade or industrial businesses or for equivalent purposes.

## **4. Technical data**

Engine type	2-stroke engine, air-cooled, chrome cylinder
Engine power (max.)	0.75 kW/1.0 hp
Displacement	25 cc
Idle speed of engine	3000 rpm
Max. engine speed	10,500 rpm
Max. twin line speed	8,000 rpm
Ignition	Electronic
Drive	Centrifugal clutch
Weight (with empty tank)	5.5 kg
Long handle length	126 cm
Cutting circle diameter of line	Ø 38 cm
Cutting line length	4.0 m
Cutting line diameter:	2.0 mm
Tank capacity	0.45 l
Spark plug	Torch L8RTC or L7RTC
Vibration $a_{nv}$ front handle	7.38 m/s <sup>2</sup>
Vibration $a_{nv}$ rear handle	5.68 m/s <sup>2</sup>
$L_{pA}$ sound pressure level	101,6 dB (A)
$L_{WA}$ sound power level	112 dB (A)

Sound and vibration values were measured in accordance with EN ISO 11806.

## 5. Before starting the equipment

### 5.1 Assembly

#### 5.1.1 Assembly of the long handle (Fig. D - E)

Remove the transport guard cap from the lower long handle. Slacken the star grip knob (Fig. D/Item A) on the connecting piece on the upper long handle (Fig. D/Item B). Carefully slide the lower long handle (Fig. D/Item C) into the connecting piece on the upper long handle. When doing so, take care to ensure that the drive shafts on the insides of the long handles slide into each other (turn the spool head gently, if required) until the lock on the lower long handle (Fig. E/Item D) latches securely in the connecting piece. Now retighten the star grip knob (Fig. D/Item A). To dismantle, proceed in reverse order.

#### 5.1.2 Fitting the Safety Guard (Fig. F1 – F2)

Attach the Safety Guard to the lower long handle (Fig. F1). Clamp the Safety Guard tightly in position with the screw, spring washer and nut (Fig. F2).

#### 5.1.3 Fitting the carrying strap (Fig. G)

The carrying strap is intended to help you work safely and ergonomically with the power trimmer. Hook the carrying strap into the fastening eyelet (Fig. G/ Item 9).

Check that all moving parts move smoothly before you start using the machine. Check that all screws are securely fastened and also check all the safety devices.

#### 5.1.4 Fitting the additional handle (Fig. G1 – G3)

Slacken the star grip knob on the fastening screw on the handle (Fig. G1/Item 1). Remove the nut and the fastening screw (Fig. G1/Item 3) from the handle and clip the additional handle over the long shaft (Fig. G2). Insert the fastening screw through the additional handle and then clamp tightly by fitting the star grip knob.(Fig. G3).

### 5.2 Setting the cutting height

- Slip the shoulder strap (Fig. B/17) over the left shoulder.
- Set the length of the shoulder strap in such a way that the cutting head runs parallel to the ground. In order to establish the optimum length of the shoulder strap, you should then make a few swinging movements without starting the engine (Fig. I).

**Please note:** Always use the shoulder strap when using the appliance. Attach the strap as soon as you have started the engine and the engine is running in idle mode. Switch off the engine before you take off the shoulder strap.

Check the machine for the following each time before use:

- That there are no leaks in the fuel system
- That the cutting unit and all safety devices are in perfect condition
- That all screws are securely fastened

### 5.3 Fuel and oil

Recommended fuels

Use only a mixture of normal unleaded petrol and 2-stroke engine oil. Mix the fuel mixture as indicated on the fuel mixing table.

**Please note:** Do not use a fuel mixture which has been kept for longer than 90 days.

**Please note:** Do not use 2-stroke oil with a recommended mixing ratio of 100:1. **If inadequate lubrication causes engine damage, the manufacturer's engine warranty will be voided.**

**Please note:** Only use containers designed and approved for the purpose to transport and store fuel.

Pour the correct quantities of petrol and 2-stroke oil into the mixing bottle (see scale printed on the bottle). Then shake the bottle well.

### 5.4 Fuel mixture table

Mixing procedure: 40 parts petrol to 1 part oil

Petrol	2-stroke oil
1 Litres	25 ml
5 Litres	125 ml

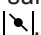

## 6. Operation

Please note that the statutory regulations governing noise abatement may differ from town to town.

Important. A blade (Fig. L/ Item F) on the underside of the Safety Guard automatically cuts the cutting line to the optimum length. This is covered by a guard. Remove the guard before you start working and replace it when you have finished working.

### 6.1 Starting the engine when cold

Fill the tank with the required amount of oil/petrol mix. See "Fuel and oil".

1. Set the machine down on a hard, level surface.
  2. Set the choke lever (Fig. A/Item 10) to .
  3. Press the fuel pump (primer) (Fig. H) 10 times.
  4. Switch the ON/OFF switch (Fig. A/Item 6) to "I".
  5. With one hand, press the throttle lock (Fig. A/Item 7) and also the throttle lever (Fig. A/Item 8), whilst also holding the machine firmly.
  6. With the other hand pull out the starter cable (Fig. A/Item 11) until you feel it starts to resist. Then tug sharply on the starter cable 10 times.
- Important:** Never allow the starter cable to snap back. This may damage the machine.
- Important:** The cutting tool starts to operate when the engine is started.
7. After the engine has started, let it run for approx. 30 seconds to warm up and then move the choke lever to Run .

If the engine does not start up, repeat steps 1-7 above.

**Please note:** If the engine does not start up even after several attempts, read the section "Engine Troubleshooting".

**Please note:** Always pull the starter cable out in a straight line. If it is pulled out at an angle, then friction will occur on the eyelet. As a result of this friction, the cable will become frayed and will wear away faster. Always hold the starter handle when the cable retracts.

Never allow the cable to snap back when it has been pulled out. This may also cause damage to the cable or the starter.

### **6.2 Starting the engine when warm (if the equipment has not been switched off for more than 15 – 20 minutes)**

1. Set the equipment down on a hard, level surface.
2. Switch the ON/OFF switch (Fig. A/Item 6) to “I”.
3. Fully depress the throttle lock (Fig. A/Item 7) and the throttle lever (Fig. A/Item 8) with one hand.
4. Hold the equipment firmly and pull out the starter cable until you feel it start to resist. Then tug sharply on the starter cable. The equipment should start after 1-2 tugs. If the equipment does not start after 6 pulls, repeat steps 1 – 7 of the procedure for starting the engine from cold.

### **6.3 Switching off the engine**

Emergency Stop procedure:

If it becomes necessary to stop the machine immediately, set the ON/OFF switch to “STOP” or “0”

Normal procedure:

Let go of the throttle lever and wait until the engine has changed to idling speed. Then set the ON/OFF switch to “STOP” or “0”.

### **6.4 Practical tips**

Practice all operating techniques with the engine switched off before you start to use the machine.

#### **EXTENDING THE CUTTING LINE**

**⚠ WARNING:** Do not use any kind of metal wire or metal wire encased in plastic in the cutting head. This may cause serious injuries to the user.

To extend the cutting line run the motor at full speed and tap (“BUMP”) the cutting head on the ground. This will automatically extend the line. The blade on the safety guard will cut the line to the appropriate length (Fig. M1).

**⚠ Caution:** Remove all grass and weed remains at regular intervals to prevent the shaft tube overheating. Grass and weed remains become trapped under the safety guard (Fig. M2) and they prevent the shaft tube receiving adequate ventilation. Ensure that the engine is stopped, and then remove the remains carefully using a screwdriver of the like.

#### **DIFFERENT CUTTING METHODS**

If the machine is correctly assembled with the safety guard and cutting head it will cut weeds and long grass in places with difficult access, for example along fences, walls and foundations and also around trees. It can also be used for mowing work to remove vegetation to allow the better preparation of a garden or to clear a certain area down to the soil.

**PLEASE NOTE:** Even if it is used carefully, cutting around foundations, stone or concrete walls, etc. will result in the line suffering more than normal wear.

#### **TRIMMING / MOWING**

Swing the trimmer from side to side in a scything motion. Always keep the cutting head parallel to the ground. Check the site and decide what cutting height you require. Guide and hold the cutting head at the required height to ensure that you cut evenly (Fig. M3).

#### **LOWER TRIMMING**

Hold the trimmer right in front of you at a slight angle so that the underside of the cutter head is above the ground and the line strikes the correct target. Always cut away from yourself. Never draw the trimmer towards yourself.

#### **CUTTING ALONG FENCES / FOUNDATIONS**

When cutting approach wire mesh fences, lath fences, natural stone walls and foundations slowly so that you can cut close to them without striking the obstacle with the line. If, for example, the line strikes stones, stone walls or foundations, it will wear or fray. If the line strikes wire fencing it will break.

#### **TRIMMING AROUND TREES**

When trimming around tree trunks, approach slowly so that the line does not strike the bark. Walk around the tree, cutting from left to right. Approach grass or weeds with the tip of the line and tilt the cutting head forwards slightly.

**⚠ WARNING:** Take extreme care during mowing work. When doing such work keep a distance of 30 meters between yourself and other people or animals.

#### **MOWING**

For mowing you want to cut all the vegetation down to the ground. To do this, set the cutting head at an angle of 30° to the right. Place the handle in the required position. Remember the increased risk of injury to the user, watchers and animals and the danger of damaging other items due to objects (for example stones) being thrown out (Fig. M4).

**WARNING:** Do not remove any objects from footpaths, etc. using the trimmer. The trimmer is a powerful tool and can throw small stones and other objects a distance of 15 meters or more, causing injuries and damage to cars, houses and windows.



## 7. Cleaning, maintenance, storage, transport and ordering of spare parts

### 7.1 Cleaning

- Keep all safety devices, air vents and the motor housing free of dirt and dust as far as possible. Wipe the equipment with a clean cloth or using compressed air at low pressure. (Ensure to blow it in a safe direction).
- We recommend that you clean the device immediately each time you have finished using it.
- Clean the equipment regularly with a moist cloth and some soft soap. Do not use cleaning agents or solvents; these could attack the plastic parts of the equipment. Ensure that no water can seep into the device.

### 7.2. Maintenance

Always switch off the machine and pull out the spark boot plug before carrying out any maintenance work.

#### 7.2.1 Replacing the line spool / cutting line

1. Unscrew the retainer screw knob (Fig. N1/Item G) in a counter-clockwise direction and remove (Fig. N1/N2). If you fail to do this by hand, use the key (Fig. C/Item 21).
2. Remove the spool (Fig. N3/Item H) and the spring (Fig. N3/Item I) from the spindle (Fig. N3/Item J).

The following steps only have to be carried out if only the line and not the entire spindle requires replacing:

- Remove the remaining cutting line from the spool.
- Hold the two halves of a new cutting line together in the middle and place the loop in one of the slots on the spool divider (Fig. N4).
- Wind the line with tension in a clockwise direction as shown in the illustration (Fig. N5), with the two halves being separated by the spool divider. Wind up all of the line down to the last 15cm of each end.

3. Fasten each of the ends of the line in a slot (Fig. N6/Item L) on the opposite side of the spool.
4. Fit the spring (Fig. N3/Item I) on the inside of the spool and thread each of the ends of the line through one of the eyelets in the spool holder (Fig. N3/Item K).
5. Insert the spool in the spool holder. Make sure that the spring slides over the spindle and does not get stuck.
6. Press the spool into the spool holder with your hand and use your other hand to fasten the retainer screw knob tightly (Fig. N7).
7. Give each end of the line a strong tug to pull the line out of the slots.
8. Cut off all excess line to reduce it to approx. 13 cm. This will reduce the load on the engine when starting up and warming up.

#### 7.2.2 Maintenance of the air filter (Fig. J1-J2)

Soiled air filters reduce the engine output by preventing the air reaching the carburettor.

Regular checks are therefore essential. The air filter should be checked after every 25 hours of use and cleaned if necessary. If the air contains a lot of dust, the air filter should be checked more frequently.

1. Remove the air filter cover (Fig. J1-J2)
2. Remove the filter element.
3. Clean the filter element by tapping it or blowing it.
4. Assemble in reverse order.

**Please note:** Never clean the air filter with petrol or inflammable solvents. Clean the air filter with compressed air or by tapping it.

#### 7.2.3 Maintenance of the spark plug (Fig. K1-K2)

Spark plug gap = 0,6 mm. Tighten the spark plug with a torque of 12-15 Nm.

Check the spark plug for dirt and grime after 50 hours of operation and if necessary clean it with a copper wire brush. Thereafter service the spark plug after every 50 hours of operation.

1. Pull off the spark plug boot (Fig. K1) by twisting.
2. Remove the spark plug (Fig. K2) with the supplied spark plug wrench.
3. Assemble in reverse order.

#### 7.2.4 Grinding the safety guard blade

The Safety Guard blade (Fig. L/Item F) can become blunt over time. When you notice this, undo the two screws holding the Safety Guard blade to the safety Guard. Clamp the blade in a vise. Sharpen the blade with a flat file and make sure that the angle of the cutting edge is not altered in the process. File in one direction only.

#### 7.2.5 Carburettor settings

**Important.** Settings on the carburettor may only be made by authorized by an authorised petrol repair agent. The air filter cover must be removed before any work on the carburettor, as shown in Figures J-J2.

##### Setting the throttle cable:

If the maximum speed of the machine falls over time and you have ruled out all the other causes listed in section 9 Troubleshooting, it may be necessary to adjust the throttle cable.

First of all check whether the carburettor opens fully when the throttle lever is pressed fully. This is the case if the carburettor slide (Fig. O1/Item 1) rests against the stop (Fig. O1/Item 2) when the throttle is fully open. Figure 16 shows the correct setting. If the carburettor slide does not touch the stop, it must be adjusted.

The following work is required to adjust the throttle cable:

- Undo the lock nut (Fig. O2/Item 3) a few turns.
- Undo the adjusting screw (Fig. O2/Item 4) until the carburettor slide rests against the stop when the throttle is fully open, as shown in Figure O1.
- Retighten the lock nut.

##### Setting the idling speed:

**Important.** Set the idling speed when the machine is warm.

If the engine stalls when the throttle is not pressed and you have ruled out all the other causes listed in section 9 Troubleshooting, the idling speed must be adjusted. To do this turn the idling speed screw (Fig. O2/Item 5) clockwise until the machine runs smoothly at idling speed.

If the idling speed is so fast that the cutting tool turns as well, it has to be reduced by turning the idling speed screw counter-clockwise (Fig. O2/Item 5) for as long as is required for the cutting tool to stop turning as well.

### 7.3 Storage

Please note: If you fail to follow these instructions correctly, deposits may form on the interior of the carburettor which may result in the engine being more difficult to start or the machine suffering permanent damage.

1. Carry out all of the maintenance work.
2. Drain the fuel out of the tank (You can use a plastic petrol pump for this purpose, which can be bought via our HELPLINE 0151 649 1500).
3. When the fuel has been drained, start the engine.
4. Allow the engine to run at idling speed until it stops. This will clean the remainder of the fuel out of the carburettor.
5. Leave the machine to cool (approx. 5 minutes).
6. Remove the spark plug (see point 7.2.3).
7. Place a teaspoon full of 2-stroke engine oil into the combustion chamber. Pull the starter cable several times carefully to wet the internal components with the oil. Fit the spark plug again.
8. Clean the exterior housing of the machine.
9. Store the machine in a cold, dry place where it is out of the reach of ignition sources and inflammable substances.

Fertilizers and other chemical garden products often contain substances that accelerate the rate of corrosion of metals. Do not store the machine on or near fertilizers or other chemicals.

### Restarting

1. Remove the spark plug.
2. Pull the starter cable several times to clean the oil residue out of the combustion chamber.
3. Clean the spark plug contacts or fit a new spark plug.
4. Fill the tank. See the section entitled Fuel and oil.
5. Complete steps 1-7 described under the point entitled "Starting the engine from cold".

### 7.4 Transport

To transport the machine, first empty the petrol tank as described in section 2 in the section entitled "Storage". Clean coarse dirt off the machine with a brush or hand brush. Dismantle the long handle as described 5.1.1

### 7.5 Ordering replacement parts

Please quote the following data when ordering replacement parts:

- Type of machine (CX-PT2538)
- Article number of the machine (34.018.51)
- Identification number of the machine (11010)
- Replacement part number of the part required

For our latest prices and information please go to [www.einhell-uk.co.uk](http://www.einhell-uk.co.uk), or contact our HELPLINE on 0151 6491500.

## 8. Disposal and recycling

The unit is supplied in packaging to prevent its being damaged in transit. This packaging is raw material and can therefore be reused or can be returned to the raw material system.

The unit and its accessories are made of various types of material, such as metal and plastic. Defective components must be disposed of as special waste. Ask your dealer or your local council.

Please adhere to the following maintenance periods in order to ensure a failure-free operation.

Important! Fill in engine oil and fuel before starting up the engine for the first time.

2-Stroke	Before each use	After an operating period of 20 hours	After an operating period of 50 hours	After an operating period of 100 hours	After an operating period of 300 hours
Check the air filter	X				Change the filter element if necessary
Clean the air filter			X		
Clean the petrol filter				X	
Visual inspection of the unit	X				
Clean the spark plug			Distance: 0.6mm, Replace if necessary		
Check and readjust the carburettor throttle valve					X*
Clean the cylinder head					X*
Set the valve clearance					X*

Important: The positions marked with "X\*" should only be carried out by an authorized repair agent.

Ⓒ Technical specification subject to change.



**DECLARATION OF CONFORMITY**

- DE** erklärt folgende Konformität gemäß EU-Richtlinie und Normen für Artikel
- GB** explains the following conformity according to EU directives and norms for the following product
- F** déclare la conformité suivante selon la directive CE et les normes concernant l'article
- I** dichiara la seguente conformità secondo la direttiva UE e le norme per l'articolo
- NL** verklaart de volgende overeenstemming conform EU richtlijn en normen voor het product
- E** declara la siguiente conformidad a tenor de la directiva y normas de la UE para el artículo
- P** declara a seguinte conformidade, de acordo com a directiva CE e normas para o artigo
- DK** attesterer følgende overensstemmelse i medfør af EU-direktiv samt standarder for artikel
- S** förklarar följande överensstämmelse enl. EU-direktiv och standarder för artikeln
- FIN** vakuuttaa, että tuote täyttää EU-direktiivin ja standardien vaatimukset
- EE** tõendab toote vastavust EL direktiivile ja standarditele
- CZ** vydává následující prohlášení o shodě podle směrnice EU a norem pro výrobek
- SK** potvrdzuje sledečo skladnosť s smernico EU in standardi za izdelek
- SV** vydáva nasledujúce prehlásenie o zhode podľa smernice EÚ a noriem pre výrobok
- H** a cikkekhez az EU-irányvonal és Normák szerint a következő konformitást jelenti ki
- PL** deklaruje zgodność wymienionego poniżej artykułu z następującymi normami na podstawie dyrektywy WE.
- BG** декларира съответното съответствие съгласно Директива на ЕС и норми за артикул
- LV** paskaidro šādu atbilstību ES direktīvai un standartiem
- LT** apibūdina šį atitikimą EU reikalavimams ir prekės normoms
- RO** declară următoarea conformitate conform directivei UE și normelor pentru articolul
- GR** δηλώνει την ακόλουθη συμμόρφωση σύμφωνα με την Οδηγία ΕΚ και τα πρότυπα για το προϊόν
- HR** potvrđuje sljedeću usklađenost prema smjernicama EU i normama za artikl
- SI** potrjuje sljedeću usklađenost prema smjernicama EU i normama za artikl
- RS** potvrđuje sledeću usklađenost prema smernicama EZ i normama za artikal
- RU** следующим удостоверяется, что следующие продукты соответствуют директивам и нормам ЕС
- UKR** проголошує про зазначену нижче відповідність виробу директивам та стандартам ЄС на виріб
- MK** ја изјавува следната сообразност согласно ЕУ-директивата и нормите за артикли
- TR** Ürünü ile ilgili AB direktifleri ve normları gereğince aşağıda açıklanan uygunluğu belirtir
- N** erklærer følgende samsvar i henhold til EU-direktivet og standarder for artikkel
- IS** Lýsir uppfyllingu EU-reglna og annarra staðla vöru

**Petrol Lawn Trimmer CX-PT 2538 (Challenge Xtreme)**

- |   |   |
|---|---|
| <input type="checkbox"/> 2009/105/EC            | <input checked="" type="checkbox"/> 2006/42/EC  |
| <input type="checkbox"/> 2006/95/EC             | <input type="checkbox"/> Annex IV<br>Notified Body:<br>Notified Body No.:<br>Reg. No.:  |
| <input type="checkbox"/> 2006/28/EC             |   |
| <input type="checkbox"/> 2005/32/EC             |   |
| <input checked="" type="checkbox"/> 2004/108/EC | <input checked="" type="checkbox"/> 2000/14/EC_2005/88/EC   |
| <input type="checkbox"/> 2004/22/EC             | <input type="checkbox"/> Annex V  |
| <input type="checkbox"/> 1999/5/EC              | <input checked="" type="checkbox"/> Annex VI<br>Noise: measured L <sub>WA</sub> = 108 dB (A); guaranteed L <sub>WA</sub> = 112 dB (A)<br>P = 0,75 kW; L/Ø = 38 cm |
| <input type="checkbox"/> 97/23/EC               | Notified Body: TÜV Rheinland Product Safety GmbH, Am Grauen Stein,<br>D-51105 Köln (NB 0197)  |
| <input type="checkbox"/> 90/396/EC              | <input checked="" type="checkbox"/> 2004/26/EC  |
| <input type="checkbox"/> 89/686/EC_96/58/EC     | Emission No.: e11*97/68SA*2004/26*0852*01   |

**Standard references: EN ISO 11806; EN 14982**

Landau/Isar, den 30.06.2010

  
Weichselgartner/General Manager

  
Frank/Product-Management

**First CE: 10**  
**Art.-No.:** 34.018.51 **I.-No.:** 11010  
**Subject to change without notice**

**Archive-File/Record:** 3401850-40-4155050-08  
**Documents registrar:** Mayn Robert  
Wiesenweg 22, D-94405 Landau/Isar



# *challenge* **xtreme**

## **GUARANTEE CERTIFICATE**

Dear Customer,

In the unlikely event that your device develops a fault, please contact our Customer service department on the telephone number shown below.

1. These guarantee terms cover additional guarantee rights and do not affect your statutory warranty rights. Claims must be accompanied by Proof of Purchase. This must be in the form of a Sales receipt or Bank statement and must show that the product has been purchased within 2 years prior to the claim from the retailer that it was originally sold to.

2. Our guarantee covers problems caused by material or manufacturing defects, and will result in the repair of these defects or replacement of the device with a like for like or similar article. Please note that our devices have not been designed for use in commercial, trade or industrial applications. Consequently, the guarantee is invalidated if the equipment is used in commercial, trade or industrial applications or for other equivalent activities.

3. The following are also excluded from our guarantee:

- A) Faults due to accidents, customer misuse, or unauthorized repairs
- B) Consumable Parts such as Blades/Chains/Trimmer lines/Spools/Vacuum bags/Spark plugs or Filters
- C) Failure due to lack of routine maintenance
- D) Failure as a result of not using the equipment in accordance with the manual and safety instructions
- E) The adjustment or lubrication cables, drive belts, or recoil starters

4. The guarantee is valid for a period of 2 years starting from the purchase date of the device. Guarantee claims should be submitted before the end of the guarantee period within two weeks of the defect being noticed. No guarantee claims will be accepted after the end of the guarantee period. The original guarantee period remains applicable to the device even if repairs are carried out or parts are replaced. In such cases, the work performed or parts fitted will not result in an extension of the guarantee period, and no new guarantee will become active for the work performed or parts fitted. This also applies when an on-site Service is used.

5. Please keep your sales receipt in a safe place. If the defect is covered by our guarantee your device will either be repaired under the terms of guarantee or we will send you a replacement device. This device may be re-conditioned or Like for like replacement.

**EINHELL UK LTD HELPLINE: + 44 151 649 1500**

**REP. IRELAND HELPLINE: 1890 946244**

**HOME RETAIL GROUP**

**489-499 AVEBURY BOULEVARD, SAXON GATE WEST, CENTRAL MILTON KEYNES, MK9 2NW**

