

**Einhell®**

**GE-CH 1846 Li**

- 
- EN** Original operating instructions  
CORDLESS HEDGE TRIMMER
- SP** Manual de instrucciones original  
BORDEADORA DE ARBUSTOS  
INALÁMBRICA
- FR** Traduction du mode d'emploi  
d'origine  
TAILLE-HAIE SANS CORDON

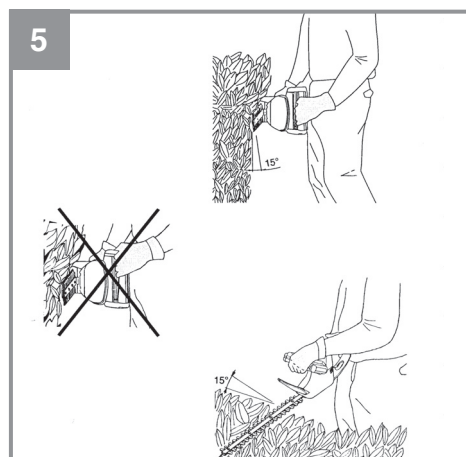
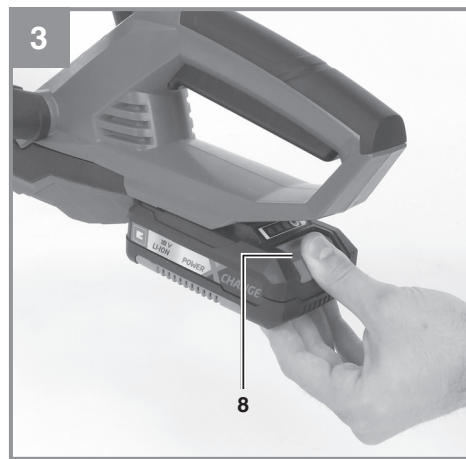
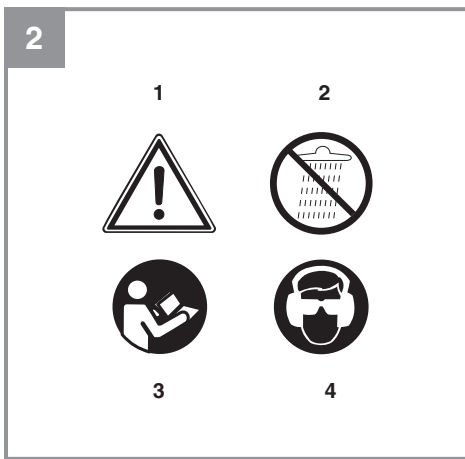
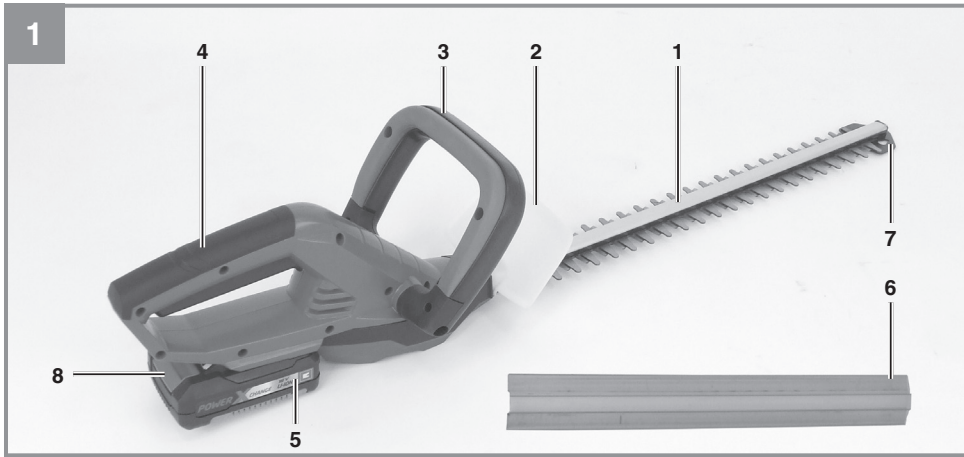


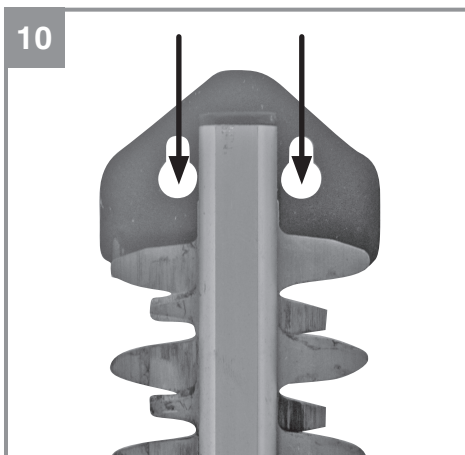
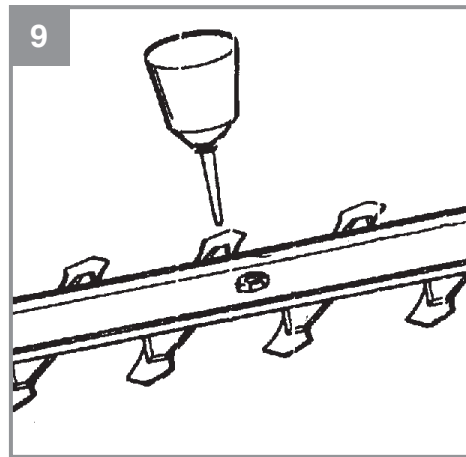
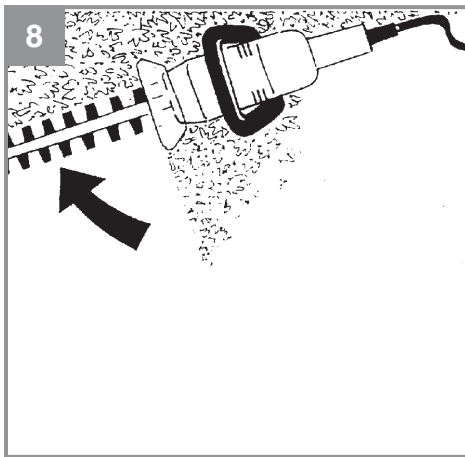
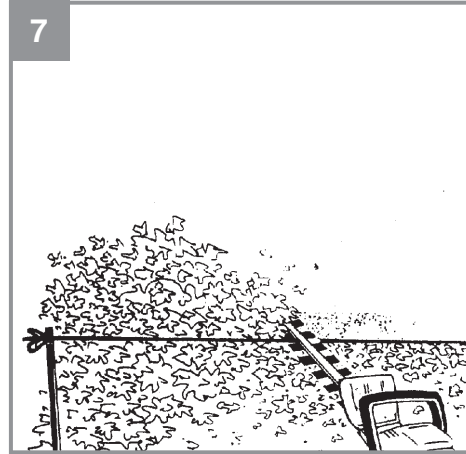
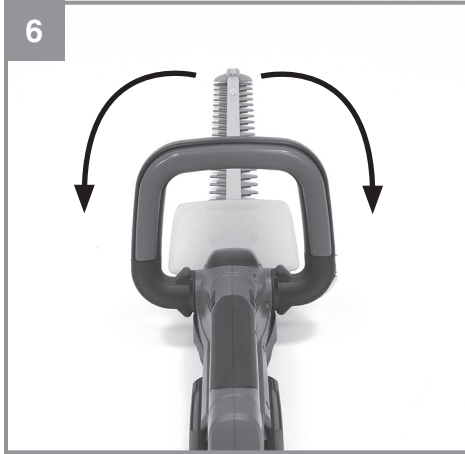
---

**Art.-Nr.: 3410689**

**I.-Nr.: 11019**







## **Table of contents**

1. Safety information
2. Layout and items supplied
3. Intended use
4. Technical data
5. Before starting the equipment
6. Operation
7. Cleaning, maintenance and ordering spare parts
8. Disposal and recycling
9. Faults
10. Storage

**DANGER!**

When using the equipment, a number of safety precautions must be observed to avoid injuries and damage. Please read the complete operating instructions and safety information with due care. Keep these operating instructions in a safe place so that the information is available at all times. If you give the equipment to any other person, hand over these operating instructions and the safety information as well. We cannot accept any liability for damage or accidents which arise due to failure to follow these instructions and the safety information.

**1. Safety information****DANGER!**

**Read all the safety information and instructions.** Failure to adhere to the safety information and instructions set out below may result in electric shock, fire and/or serious injury. **Keep all the safety information and instructions in a safe place for future use.**

**General safety information for power tools**

The term „power tool“ used in the safety regulations refers to power tools operated from the mains power supply (with a power cable) and to battery operated power tools (without a power cable).

**1) Work area safety**

- a) **Keep work area clean and well lit.**  
*Cluttered and dark areas invite accidents.*
- b) **Do not operate power tools in explosive atmospheres, such as in the presence of flammable liquids, gases or dust.** *Power tools create sparks which may ignite the dust or fumes.*
- c) **Keep children and bystanders away while operating a power tool.** *Distractions can cause you to lose control.*

**2) Electrical safety**

- a) **Power tool plugs must match the outlet. Never modify the plug in any way. Do not use any adapter plugs with earthed (grounded) power tools.** *Unmodified plugs and matching outlets will reduce risk of electric shock.*
- b) **Avoid body contact with earthed or grounded surfaces such as pipes, radiators, ranges and refrigerators.** *There*

*is an increased risk of electric shock if your body is earthed or grounded.*

- c) **Do not expose power tools to rain or wet conditions.** *Water entering a power tool will increase the risk of electric shock.*
- d) **Do not abuse the cord. Never use the cord for carrying, pulling or unplugging the power tool. Keep cord away from heat, oil, sharp edges or moving parts.** *Damaged or entangled cords increase the risk of electric shock.*
- e) **When operating a power tool outdoors, use an extension cord suitable for outdoor use.** *Use of a cord suitable for outdoor use reduces the risk of electric shock.*
- f) **If operating a power tools in a damp location is unavoidable, use a residual current device (RCD) protected supply.** *Use of an RCD reduces the risk of electric shock. NOTE The term “residual current device (RCD)” may be replaced by the term “ground fault circuit interrupter (GFCI)” or “earth leakage circuit breaker (ELCB)”.*

**3) Personal safety**

- a) **Stay alert, watch what you are doing and use common sense when operating a power tool. Do not use a power tool while you are tired or under the influence of drugs, alcohol or medication.** *A moment of inattention while operating power tools may result in serious personal injury.*
- b) **Use personal protective equipment. Always wear eye protection.** *Protective equipment such as dust mask, non-skid safety shoes, hard hat, or hearing protection used for appropriate conditions will reduce personal injuries.*
- c) **Prevent unintentional starting. Ensure the switch is in the off-position before connecting to power source and/or BATTERY pack, picking up or carrying the tool.** *Carrying power tools with your finger on the switch or energising power tools that have the switch on invites accidents.*
- d) **Remove any adjusting key or wrench before turning the power tool on.** *A wrench or a key left attached to a rotating part of the power tool may result in personal injury.*
- e) **Do not overreach. Keep proper footing and balance at all times.** *This enables better control of the power tool in unexpected situations.*

- f) **Dress properly. Do not wear loose clothing or jewellery. Keep your hair, clothing and gloves away from moving parts.** *Loose clothes, jewellery or long hair can be caught in moving parts.*
- g) **If devices are provided for the connection of dust extraction and collection facilities, ensure these are connected and properly used.** *Use of these devices can reduce dust related hazards.*
- 4) **Power tool use and care**
- a) **Do not force the power tool. Use the correct power tool for your application.** *The correct power tool will do the job better and safer at the rate for which it was designed.*
- b) **Do not use the power tool if the switch does not turn it on and off.** *Any power tool that cannot be controlled with the switch is dangerous and must be repaired.*
- c) **Disconnect the plug from the power source and/or remove the battery pack, if detachable, from the power tool before making any adjustments, changing accessories, or storing power tools.** *Such preventive safety measures reduce the risk of starting the power tool accidentally.*
- d) **Store idle power tools out of the reach of children and do not allow persons unfamiliar with the power tool or these instructions to operate the power tool.** *Power tools are dangerous in the hands of untrained users.*
- e) **Maintain power tools and accessories. Check for misalignment or binding of moving parts, breakage of parts and any other condition that may affect the power tool's operation. If damaged, have the power tool repaired before use.** *Many accidents are caused by poorly maintained power tools.*
- f) **Keep cutting tools sharp and clean.** *Properly maintained cutting tools with sharp cutting edges are less likely to bind and are easier to control.*
- g) **Use the power tool, accessories and tool bits etc., in accordance with these instructions and in the manner intended for the particular type of power tool, taking into account the working conditions and the work to be performed.** *Use of the power tool for operations different from intended could result in a hazardous situation.*
- 5) **Battery tool use and care**
- a) **Recharge only with the charger specified by the manufacturer.** *A charger that is suitable for one type of battery pack may create a risk of fire when used with another battery pack.*
- b) **Use power tools only with specifically designated battery packs.** *Use of any other battery packs may create a risk of injury and fire.*
- c) **When battery pack is not in use, keep it away from other metal objects, like paper clips, coins, keys, nails, screws or other small metal objects that can make a connection from one terminal to another.** *Shorting the battery terminals together may cause burns or a fire.*
- d) **Under abusive conditions, liquid may be ejected from the battery; avoid contact. If contact accidentally occurs, flush with water. If liquid contacts eyes, additionally seek medical help.** *Liquid ejected from the battery may cause irritation or burns.*
- 6) **Service**
- a) **Have your power tool serviced by a qualified repair person using only identical replacement parts.** *This will ensure that the safety of the power tool is maintained.*
- GENERAL SAFETY WARNINGS FOR THE BATTERY PACK**
- Use only the following type and size battery:
    - 18V 1.5Ah P-X-C lithium-ion battery
    - 18V 2.0Ah P-X-C lithium-ion battery
    - 18V 2.6Ah P-X-C Plus lithium-ion battery
    - 18V 3.0Ah P-X-C lithium-ion battery
    - 18V 4.0Ah P-X-C lithium-ion battery
    - 18V 5.2Ah P-X-C Plus lithium-ion battery
  - Do not dispose of the battery in a fire. The cell may explode. Check with local codes for possible special disposal instructions.
  - Do not open or mutilate the battery. Released electrolyte is corrosive and may cause damage to the eyes or skin. It may be toxic if swallowed.
  - Exercise care in handling the battery in order not to short it with conducting materials such as rings, bracelets, and keys. The battery or conductor may overheat and cause burns.
  - Dispose of used battery promptly and properly. When disposing of secondary cells or batteries, keep cells or batteries of different electrochemical systems separate from each

- other.
- Keep battery out of reach of children and in original package until ready to use.
- Never put batteries in one's mouth. If swallowed, contact local poison control centre immediately.
- CAUTION – The battery used in this device may present a risk of fire or chemical burn if mishandled. Replace battery with Einhell/ lawn master brand only. Use of another battery may present a risk of fire or explosion.
- WARNING: Do not use a visibly damaged battery pack or appliance.
- WARNING: Do not modify or attempt to repair the appliance or the battery pack.
- **BATTERIES MUST BE RECYCLED.**
- Do not short-circuit a cell or battery. Do not store cells or batteries haphazardly in a box or drawer where they may shortcircuit each other or be short-circuited by conductive materials.
- Do not subject cells or batteries to mechanical shocks.
- Keep cells and batteries clean and dry. Wipe the cell or battery terminals with a clean dry cloth if they become dirty.
- Do not maintain secondary cells and batteries on charge when not in use.
- Retain the original cell and battery. Do not use any charger other than that specifically provided for use with the equipment. Secondary cells and batteries need to be charged before use. Always use the correct charger and refer to the manufacturer's instructions or equipment manual for proper charging instructions.
- When possible, remove the battery from the equipment when not in use.
- Prevent unintentional starting. Ensure the switch is in the off-position before connecting to the battery pack, picking up or carrying the appliance. Carrying the appliance with your finger on the switch or energizing appliances that have the switch on invites accidents.
- Disconnect the battery pack from the appliance before making any adjustments, changing accessories, or storing appliance. Such preventive safety measures reduce the risk of starting the appliance accidentally.
- Under abusive conditions, liquid may be ejected from the battery; avoid contact. If contact accidentally occurs, flush with water. If liquid contacts eyes, additionally seek medical help. Liquid ejected from the battery may cause irritation or burns.

- Have servicing performed by a qualified repair person using only identical replacement parts. This will ensure that the safety of the product is maintained.

#### **IMPORTANT SAFETY INSTRUCTIONS FOR CHARGER**

**WARNING:** This product may contain lead, phthalate or other chemicals known to the State of California to cause cancer, birth defects and other reproductive harm. Please wash your hands after use.

#### **Safety instructions for hedge trimmers**

##### **Hedge trimmer safety warnings:**

- **Keep all parts of the body away from the cutter blade. Do not remove cut material or hold material to be cut when blades are moving. Make sure the switch is off when clearing jammed material. Blades coast after turn off.** A moment of inattention while operating the hedge trimmer may result in serious personal injury.
- **Carry the hedge trimmer by the handle with the cutter blade stopped. When transporting or storing the hedge trimmer always fit the cutting device cover.** Proper handling of the hedge trimmer will reduce possible personal injury from the cutter blades.
- **Hold the power tool by insulated gripping surfaces only, because the cutter blade may contact hidden wiring or its own cord.** Cutter blades contacting a live wire may make exposed metal parts of the power tool live and could give the operator an electric shock
- **Keep hands away from blade.** Contact with blade will result in serious personal injury.
- **Always use head protection when operating the hedge trimmer overhead.** Falling debris can result in serious personal injury.

**WARNING – Only use with handle and guard properly assembled to hedge trimmer. The use of the hedge trimmer without the proper guard or handle provided may result in serious personal injury.**



**Additional safety information**

- **Before you start trimming hedges, check the hedge for hidden objects, such as wire fences.**
- **Hold the hedge trimmer correctly with both hands.**
- **Always ensure that all handles and guards are fitted before using the power tool .**
- **Do not attempt to use an incomplete machine or one that is provided with an unauthorized change.**
- **Before cleaning the hedge trimmer, turn off the tool and remove battery pack.**
- **Check blades whether damage regularly, if damaged, repaired immediately.**
- **Never allow children to use the power tool.**
- **Insert the blade to the blade cover, make sure that the blade is not exposed after use.**
- **Do not use the tool at bad weather conditions, especially not use at thunderstorms.**

**Explanation of the warning signs on the equipment (see Fig. 2)**

- 1: Warning!
- 2: Protect from moisture!
- 3: Read the instruction manual before starting!
- 4: Wear eye protection and ear plugs.

**2. Layout and items supplied****2.1 Layout (Fig. 1/2)**

1. Bar
2. Hand guard
3. Steady grip with button switch
4. Handle with button switch
5. Rechargeable battery
6. Cutter guard
7. Impact guard
8. Pushlock button
9. Battery capacity indicator
10. Battery capacity indicator button

**2.2 Items supplied**

Please check that the article is complete as specified in the scope of delivery. If parts are missing, please contact our service center or the store where you made your purchase at the latest within 5 work days after purchasing the article and upon presentation of a valid bill of purchase.

- Open the packaging and take out the equipment with care.
- Remove the packaging material and any packaging and/or transportation braces (if present).
- Check to see if all the items are supplied.
- Inspect the equipment and accessories for transport damage.
- If possible, keep the packaging until the end of the guarantee period.

**Danger!**

**The equipment and packaging material are not toys. Do not let children play with plastic bags, plastic sheets and small parts. There is a risk of choking and suffocating!**

- Hedge trimmer
- Cutter guard
- Original operating instructions
- Safety information

**Separately available accessories**

- 18V 1.5Ah P-X-C lithium-ion battery
- 18V 2.0Ah P-X-C lithium-ion battery
- 18V 2.6Ah P-X-C Plus lithium-ion battery
- 18V 3.0Ah P-X-C lithium-ion battery
- 18V 4.0Ah P-X-C lithium-ion battery
- 18V 5.2Ah P-X-C Plus lithium-ion battery
- 18V P-X-C charger

Explore battery + charger options at [einhellUSA.com](http://einhellUSA.com)


**3. Intended use**

This hedge trimmer is suitable for cutting hedges, bushes and shrubs.

The equipment is allowed to be used only for its prescribed purpose. Any other use is deemed to be a case of misuse. The user/operator and not the manufacturer will be liable for any damage or injuries of any kind resulting from such misuse.

Please note that our equipment has not been designed for use in commercial, trade or industrial applications. Our warranty will be voided if the equipment is used in commercial, trade or industrial businesses or for equivalent purposes.

## 4. Technical data

Motor power supply: ..... 18 V   
 No load speed:..... 1100 rpm (min<sup>-1</sup>)  
 Blade length:.....20.5 in. (52 cm)  
 Cutting length:..... 18.1 in. (46 cm)  
 Cutting diameter max.:.....0.43 in. (11 mm)  
 Weight:..... 4.4 lbs (2 kg)

### Wear ear-muffs.

The impact of noise can cause damage to hearing.

### Reduce noise generation and vibration to a minimum!

- Use only equipment that is in perfect condition.
- Maintain and clean the equipment regularly.
- Adapt your way of working to the equipment.
- Do not overload the equipment.
- Have the equipment checked if necessary.
- Switch off the equipment when not in use.
- Wear gloves.

## 5. Before starting the equipment

### 5.1. Installing the battery (Fig. 3)

Press the pushlock button of the battery pack as shown in Fig. 3/Item 8 and push the battery pack into the mount provided. When the battery is positioned as in Fig. 1, make sure that the pushlock button (8) latches in place! To remove the battery pack, proceed in reverse order.

## 6. Operation

### Switching ON/OFF.

The hedge trimmer is equipped with a two-handed safety switch. It works only when the switch on the steady grip (Fig. 1/Item 3) is pressed with one hand and the switch on the handle (Fig. 1/Item 4) is pressed with the other hand. If either switch is released, the cutters will stop moving. Please watch out for the cutters as they slow down to a standstill.

### Work practice

- A hedge trimmer can be used to cut shrubs and bushes as well as hedges.
- To obtain the best cutting results, hold the hedge trimmer so that the cutter teeth are at an angle of approx. 15° in relation to the hedge (see Figure 5).
- The twin-bladed cutters rotate in opposite directions, thus enabling cutting in both directions (see Figure 6).
- It is recommended to tie a guide line of string or the like along the hedge so that you cut the hedge to a level height. Cut off all branches which protrude beyond the guide line (see Figure 7).
- Cut the sides of the hedge with curve-shaped movements from the bottom up (see Figure 8).

### 6.1 Charging the Li battery pack

The corresponding instructions can be found in the original operating instructions for your charger.

### 6.2 Battery capacity indicator (Fig. 4 / item 9)

Press the battery capacity indicator switch (10). The battery capacity indicator (9) shows the charge status of the battery using 3 LEDs.

#### All 3 LEDs lit:

The battery is fully charged.

#### 2 or 1 LED(s) lit:

The battery has an adequate remaining charge.

#### 1 LED flashing:

The battery is empty, recharge the battery.

#### All LEDs flashing:

The battery pack has been deep-discharged and is defective. Do not re-use or charge a defective battery pack.

## 7. Cleaning, maintenance and ordering spare parts

### HAZARD!

Before putting away or cleaning, switch off the hedge trimmer and remove the battery pack.

### 7.1 Cleaning

- Keep all safety devices, air vents and the motor housing free of dirt and dust as far as possible. Wipe the equipment with a clean cloth or blow it down with compressed air at low pressure.
- We recommend cleaning the equipment immediately each time after use.
- Clean the equipment regularly with a damp cloth and some soft soap. Do not use cleaning agents or solvents; these may be aggressive to the plastic parts in the equipment. Ensure that no water can get into the interior of the equipment. The ingress of water into an electric power tool increases the risk of an electric shock.
- Use a brush to remove deposits from the safety guard.

### 7.2 Maintenance

- The cutters should be cleaned and lubricated at regular intervals in order to ensure best performance at all times. Remove deposits with a brush and apply a thin film of oil (Figure 9).
- There are no other parts inside the equipment which require maintenance.
- The hedge trimmer with the cutter guard fitted can be hung on a nail, screw or the like for storage using the hole in the impact guard (Fig. 10).

### 7.3 Ordering replacement parts:

#### Service

1. **If your power tool requires service, contact an authorized Einhell USA dealer or call the Einhell USA customer service center at 1-866-EINHELL (1-866-346-4355).** Only identical replacement parts should be utilized for repairs. This will ensure that the safety of the power tool is maintained.
2. **If the battery charger cable is damaged, it must be immediately replaced to avoid a hazard.** Contact the Einhell USA® customer service center at 1-866-EINHELL (1-866-346-4355) for assistance.

## 8. Disposal and recycling

The equipment is supplied in packaging to prevent it from being damaged in transit. The raw materials in this packaging can be reused or recycled. The equipment and its accessories are made of various types of material, such as metal and plastic. Never place defective equipment in your household refuse. The equipment should be taken to a suitable collection center for proper disposal. If you do not know the whereabouts of such a collection point, you should ask in your local council offices.

## 9. Faults

### The equipment does not work:

Check that the battery is charged and whether the charging unit is working. If the equipment will not work in spite of the voltage supply being OK, please send it to the customer service address below.

## 10. Storage

Store the equipment and its accessories out of children's reach in a dark and dry place at above freezing temperature. The ideal storage temperature is between 41°F and 86°F (5°C and 30°C). Keep the electric tool in its original packaging.

The reprinting or reproduction by any other means, in whole or in part, of documentation and papers accompanying the products is strictly subject to the express consent of iSC GmbH.

Subject to technical changes

# Einhell

## EINHELL CUSTOMER PROMISE

**QUALITY COMES FIRST.** The Einhell name is synonymous with high-performance tools and high-quality European craftsmanship. From cordless screwdrivers to electric lawn mowers, Einhell USA designs and develops state-of-the-art handheld power and garden tools for DIY enthusiasts, hobby gardeners, and handymen.

Einhell USA's quality assurance and engineering teams ensure products are subjected to stringent quality and performance tests. We know that sometimes tough tools go through tough times. In the event that you should experience any issue with your product, you have our commitment that we'll do everything we can to get you back a tool that's ready to work as hard as you do.

### PRODUCT REGISTRATION:

Einhell strongly encourages you to register your purchase. You can register online at **EinhellUSA.com**. Failure to register your product purchase will not diminish your warranty rights. However, registering your purchase will allow Einhell to better serve you with any of your customer service needs.

### WHAT IS COVERED?

Einhell warrants to the owner that if this Machine fails within 2 years from the date of purchase due to a defect in material or workmanship or as a result of normal wear and tear from ordinary household use, Einhell will send a replacement part or product, as needed, free of charge and with free shipping to the original purchaser. If, in Einhell's sole discretion, the failed Machine cannot be repaired with a part, Einhell will elect to either (A) send a new Machine at no charge and with free shipping or (B) refund the full purchase price to the owner.

### WHO CAN SEEK WARRANTY COVERAGE?

This Warranty is extended by Einhell to the owner of this Machine (a "Machine" consists of a product powered by a motor) for residential and personal household use only. This warranty is limited to thirty (30) days from the start of original purchase of any EINHELL brand product that is used for commercial purposes, or any other income-producing purpose. Should ownership of this machine change during the coverage period, please update the Machine's owner information at **EinhellUSA.com**

### WHAT IS NOT COVERED?

This warranty does not cover any product that has been subject to misuse, neglect, negligence, or accident, or that has been operated in any way contrary to the operating instructions as specified in the operator's manual. This Warranty does not cover cosmetic changes that do not affect performance.

This Warranty is only valid if the Machine is used and maintained in accordance with the instructions, warnings and safeguards contained in the owner's manual. Einhell will not be responsible for the cost of any unauthorized warranty repairs. This warranty does not cover any cost or expense incurred by the purchaser in providing substitute equipment or service during reasonable periods of malfunction or non-use of this product while waiting for a replacement part or unit under this warranty.

Wearing parts like belts, augers, chains and tines are not covered under this warranty, and can be purchased at **EinhellUSA.com** or by calling **1-866-EINHELL (1-866-346-4355)**. Batteries are covered in full for 90-days from the date of purchase.

Repair, replacement or refund of the purchase price are the exclusive remedies of purchaser and the sole liability of Einhell under this warranty. No employee or representative of Einhell is authorized to make any additional warranty or any modification to this warranty which may be binding upon Einhell. Accordingly, purchaser should not rely upon any additional statements made by any employee or representative of Einhell. In no event, whether based on contract, indemnity, warranty, tort (including negligence), strict liability or otherwise, shall Einhell be liable for any special, indirect, incidental, or consequential damages, including, without limitation, loss of profit or revenue.

Some states do not allow limits on warranties. In such states, the above limitations may not apply to you.

Outside the USA and Canada, other warranties may apply.

## Índice de contenidos

1. Instrucciones de seguridad
2. Descripción del aparato y volumen de entrega
3. Uso adecuado
4. Características técnicas
5. Antes de la puesta en marcha
6. Manejo
7. Mantenimiento, limpieza y pedido de piezas de repuesto
8. Eliminación y reciclaje
9. Averías
10. Almacenamiento

**Peligro!**

Al usar aparatos es preciso tener en cuenta una serie de medidas de seguridad para evitar lesiones o daños. Por este motivo, es preciso leer atentamente este manual de instrucciones/advertencias de seguridad. Guardar esta información cuidadosamente para poder consultarla en cualquier momento. En caso de entregar el aparato a terceras personas, será preciso entregarles, asimismo, el manual de instrucciones/advertencias de seguridad. No nos hacemos responsables de accidentes o daños provocados por no tener en cuenta este manual y las instrucciones de seguridad.

**1. Instrucciones de seguridad****Peligro!**

**Lea todas las instrucciones de seguridad e indicaciones.** El incumplimiento de dichas instrucciones e indicaciones puede provocar descargas, incendios y/o daños graves. **Guarde todas las instrucciones de seguridad e indicaciones para posibles consultas posteriores.**

**Instrucciones generales de seguridad para herramientas eléctricas**

El término de "herramienta eléctrica" que se usa en las instrucciones de seguridad se refiere a las herramientas que funcionan en red (con cable de conexión) y con batería (sin cable de conexión).

**1. Seguridad en el lugar de trabajo**

- a) **Mantener limpia y bien iluminada la zona de trabajo.** *Las zonas de trabajo desordenadas o sin luz pueden conllevar accidentes.*
- b) **No trabajar con este aparato eléctrico en un entorno explosivo en el que se hallen líquidos, gases o polvos inflamables.** *Las herramientas eléctricas generan chispas que pueden inflamar el polvo o los vapores.*
- c) **Mantener alejados a niños y a otras personas fuera del alcance de la herramienta eléctrica.** *Las distracciones pueden hacer perder el control sobre el aparato.*

**2. Seguridad eléctrica**

- a) **El enchufe del aparato eléctrico debe ser el adecuado para la toma de corriente. El enchufe no debe ser modificado de ningún modo. No emplear adaptadores de enchufe con aparatos eléctricos puestos a tierra.** *Los enchufes sin modificar y las*

*tomas de corriente adecuadas reducen el riesgo de una descarga eléctrica.*

- b) **Evitar el contacto corporal con superficies con toma de tierra como tubos, calefacciones, fogones y frigoríficos.** *Existe un gran riesgo de descarga eléctrica si su cuerpo se halla puesto a tierra.*
  - c) **Mantener los aparatos eléctricos alejados de la lluvia o la humedad.** *Si entra agua en el aparato eléctrico existirá mayor riesgo de una descarga eléctrica.*
  - d) **No utilizar el cable de forma inadecuada, no utilizarlo para transportar el aparato, colgarlo o retirarlo de la toma de corriente. Mantener el cable alejado del calor, aceites, cantos afilados o partes del aparato en movimiento.** *Los cables dañados o mal enrollados aumentan el riesgo de descarga eléctrica.*
  - e) **Si se trabaja con una herramienta eléctrica al aire libre, emplear sólo alargaderas que también sean adecuadas para el exterior.** *El empleo de una alargadera apropiada para trabajos en el exterior reduce el riesgo de descarga eléctrica.*
  - f) **Si no se puede evitar tener que utilizar la herramienta eléctrica en un entorno húmedo, utilizar un dispositivo de protección diferencial.** *El uso de un dispositivo de protección diferencial reduce el riesgo de sufrir una descarga eléctrica. OBSERVACIÓN: el término "interruptor diferencial (RCD)" puede ser reemplazado por el término "interruptor de circuito por falla de tierra (GFCI)" o "interruptor de corriente por defecto (ELCB)".*
- 3. Seguridad de personas**
    - a) **Prestar atención al trabajo, comprobar lo que se está haciendo y proceder de forma razonable durante el trabajo de una herramienta eléctrica. No emplear la herramienta eléctrica si se está cansado o bajo la influencia de drogas, alcohol o medicamentos.** *Una mínima falta de atención durante el uso de la herramienta eléctrica puede causar lesiones graves.*
    - b) **Llevar equipo de protección personal. Llevar siempre gafas protectoras.** *El equipo de protección (como mascarilla antipolvo, calzado de seguridad antideslizante, casco o protección auditiva) usado en las condiciones adecuadas sirve para reducir las lesiones personales.*

- c) **Prevenir un arranque no intencionado. Asegurarse de que el interruptor se encuentre en la posición OFF antes de conectar la herramienta a la fuente eléctrica y/o BATERÍA, alzarla o transportarla.** *El transporte de herramientas eléctricas con el dedo en el interruptor o la activación de herramientas eléctricas con el interruptor en ON puede provocar accidentes.*
- d) **Retirar las herramientas de ajuste o la llave antes de conectar la herramienta eléctrica.** *Una herramienta o llave que se haya olvidado en partes giratorias del aparato puede producir lesiones.*
- e) **Evitar trabajar en una posición corporal inadecuada. Adoptar una posición segura y mantener en todo momento el equilibrio.** *Ello permite controlar mejor la herramienta eléctrica en situaciones inesperadas.*
- f) **Llevar ropa de trabajo adecuada. No llevar ropa holgada ni joyas durante el trabajo. Mantener el cabello, la ropa y los guantes alejados de las piezas en movimiento.** *La ropa holgada, las joyas o los cabellos largos pueden ser atrapados por las piezas en movimiento.*
- g) **Si el aparato permite instalar dispositivos de aspiración y recogida del polvo, es preciso asegurarse de que estén conectados y se empleen de forma correcta.** *La utilización de un aspirador de polvo puede reducir los peligros provocados por el mismo.*
- 4. Empleo y tratamiento de la herramienta eléctrica**
- a) **No sobrecargar el aparato. Usar la herramienta eléctrica específica para cada trabajo.** *Con la herramienta eléctrica adecuada se trabaja mejor y con más seguridad permaneciendo dentro de la potencia indicada.*
- b) **No usar ninguna herramienta eléctrica cuyo interruptor esté defectuoso.** *Una herramienta eléctrica que ya no pueda conectarse o desconectarse conlleva peligros y debe repararse.*
- c) **Desconectar el enchufe de la toma de corriente y/o retirar la batería, si es desmontable, de la herramienta eléctrica antes de realizar cualquier ajuste, cambiar accesorios o almacenarla.** *Este tipo de medidas de seguridad preventivas sirve para reducir el riesgo de poner en marcha la herramienta eléctrica de manera involuntaria.*
- d) **Guardar las herramientas eléctricas que no se usen fuera del alcance de los niños.**
- No permitir el uso del aparato a personas que no estén familiarizadas con él o no hayan leído estas instrucciones.** *Las herramientas eléctricas son peligrosas si las usan personas sin experiencia.*
- e) **Realizar el mantenimiento de las herramientas eléctricas y los accesorios. Comprobar que las piezas móviles no estén desajustadas ni atascadas, que las piezas no presenten rotura ni otras condiciones que puedan afectar al funcionamiento de la herramienta eléctrica.** *En caso de que la herramienta eléctrica esté dañada, es preciso que sea reparada antes de utilizarla de nuevo. Muchos accidentes se provocan a causa de un mantenimiento deficiente de la herramienta eléctrica.*
- f) **Mantener limpias y afiladas las herramientas de corte.** *Las herramientas de corte bien cuidadas con cantos afilados se bloquean con menor frecuencia y pueden manejarse de forma más sencilla.*
- g) **Respetar estas instrucciones cuando se desee utilizar la herramienta eléctrica, los accesorios, piezas de recambio, etc. Para ello, tener en cuenta las condiciones de trabajo y la tarea a ejecutar.** *El uso de herramientas eléctricas para otros fines diferentes a los previstos puede originar situaciones peligrosas.*
- 5. Empleo y tratamiento de la herramienta eléctrica**
- a) **Cargar la batería sólo en cargadores recomendados por el fabricante.** *Existe el peligro de incendio si se utiliza un cargador, indicado sólo para un tipo concreto de baterías, para otro tipo de baterías.*
- b) **Utilizar sólo las baterías indicadas para la herramienta eléctrica en cuestión.** *El uso de otras baterías puede provocar daños y conllevar peligro de incendio.*
- c) **Mantener cualquier batería que no se esté utilizando alejada de grapas, monedas, llaves, clavos, tornillos u otros objetos metálicos pequeños que podrían provocar un puenteo de los contactos.** *Un cortocircuito entre los contactos de la batería puede tener como consecuencia quemaduras o provocar fuego.*
- d) **Si se utiliza incorrectamente podría salir líquido de la batería. Evitar el contacto con el líquido. En caso de tocar accidentalmente el líquido, lavar la zona afectada con agua. Si el líquido penetra en los**



**ojos, acudir a un médico.** *El líquido de la batería puede provocar irritaciones en la piel o quemaduras.*

## 6. Servicio

- a) **Sólo especialistas cualificados deben reparar la herramienta eléctrica, empleando para ello únicamente piezas de repuesto originales.** *Esta forma de proceder garantiza la seguridad de la herramienta eléctrica.*

### ADVERTENCIAS GENERALES DE SEGURIDAD PARA LA BATERÍA

- Usar solo el siguiente tipo y tamaño de batería:
  - 18V 1.5Ah P-X-C batería Li-Ion
  - 18V 2.0Ah P-X-C batería Li-Ion
  - 18V 2.6Ah P-X-C Plus batería Li-Ion
  - 18V 3.0Ah P-X-C batería Li-Ion
  - 18V 4.0Ah P-X-C batería Li-Ion
  - 18V 5.2Ah P-X-C Plus batería Li-Ion
- No tirar la batería al fuego. La célula puede explotar. Consultar la legislación local en materia de eliminación de residuos.
- No abrir ni cortar la batería. El electrolito que sale de la misma es corrosivo y puede lesionar los ojos o la piel. Puede ser tóxico si se ingiere.
- Tener cuidado al manipular la batería para no cortocircuitarla con materiales conductivos como anillos, pulseras o llaves. La batería o el conductor se puede sobrecalentar y provocar quemaduras.
- Desechar la batería usada a tiempo y de manera adecuada. A la hora de desechar células o baterías secundarias, mantener separadas las células o baterías de distintos sistemas electromecánicos.
- Mantener la batería fuera del alcance de los niños y en el embalaje original hasta que estén listas para su uso.
- No meterse nunca la batería en la boca. De ingerirse, ponerse de inmediato en contacto con el centro de toxicología local.
- CUIDADO: la batería que se utiliza en este dispositivo puede conllevar riesgo de incendio o quemadura química si se abusa de ella. Sustituir la batería exclusivamente por otra de la marca Einhell o la marca recomendada. El uso de cualquier otra batería puede conllevar riesgo de incendio o explosión.
- ADVERTENCIA: no utilizar una batería o aparato que esté visiblemente dañado.
- ADVERTENCIA: no modificar ni intentar reparar el aparato ni la batería.
- **LAS BATERÍAS SE TIENEN QUE RECICLAR.**
- No cortocircuitar la célula ni la batería. No guardar las células ni baterías de manera descuidada en una caja o en un cajón donde se puedan cortocircuitar entre sí o por materiales conductivos.
- No someter las células o baterías a choques mecánicos.
- Mantener las células y baterías limpias y secas. Si se ensucian, frotarlas con un paño limpio y seco.
- No mantener las células o baterías secundarias en carga si no se usan.
- Mantener las células y baterías originales. No utilizar un cargador que no se haya facilitado específicamente para usar con el equipo. Las células y baterías secundarias se tienen que cargar antes de su uso. Utilizar siempre el cargador correcto y consultar las instrucciones del fabricante o el manual del equipo para saber cómo cargar correctamente.
- Siempre que sea posible, quitar la batería del equipo cuando no se use.
- Evitar un arranque inesperado. Asegurarse de que el interruptor se encuentre en la posición OFF antes de conectar la batería, alzarla o transportarla. El transporte de aparatos con el dedo en el interruptor o la activación de aparatos energéticos con el interruptor en ON puede provocar accidentes.
- Desconectar la batería del aparato antes de realizar ajustes, cambiar accesorios o almacenar el aparato. Este tipo de medidas de seguridad preventivas sirve para reducir el riesgo de poner en marcha el aparato de manera involuntaria.
- En caso de uso excesivo, es posible que algo de líquido gotee de la batería. Evitar el contacto. En caso de contacto accidental, lavar con agua. Si el líquido entra en contacto con los ojos, buscar atención médica. El líquido que sale de la batería puede causar irritación o quemaduras.
- Encargar el servicio exclusivamente a una persona cualificada que use solo piezas de repuesto idénticas. Solo así se podrá mantener la seguridad del producto.



## INSTRUCCIONES DE SEGURIDAD IMPORTANTES PARA EL CARGADOR

**ADVERTENCIA:** Este producto puede contener plomo, ftalato u otros productos químicos que según el Estado de California pueden provocar cáncer, malformaciones en el feto u otros daños reproductivos. Lavarse las manos después de utilizarlo.

### Instrucciones de seguridad para cortasetos Advertencias de seguridad del cortasetos:

- **Mantener todas las partes del cuerpo alejadas de la cuchilla de corte. No retirar el material cortado ni sostener material para cortarlo mientras las cuchillas estén en movimiento. Asegurarse de que el interruptor esté apagado antes de retirar material atascado. Las cuchillas siguen marchando por inercia después de apagar la herramienta.** Cualquier descuido mientras se opera el cortasetos puede tener como consecuencia graves lesiones personales.
- **Transportar el cortasetos por la empuñadura con la cuchilla de corte detenida. Siempre que se desee transportar o almacenar el cortasetos, asegurarse de poner la cubierta de protección.** El manejo adecuado del cortasetos reducirá la posibilidad de sufrir lesiones personales provocadas por las cuchillas de corte.
- **Sujetar la herramienta eléctrica solo por las empuñaduras aisladas puesto que la cuchilla de corte puede toparse con cableado oculto o su propio cable.** Las cuchillas de corte que entren en contacto con cables con corriente pueden hacer que las partes metálicas al descubierto de la herramienta eléctrica le provoquen una descarga eléctrica al usuario
- **Mantener las manos alejadas de la cuchilla.** El contacto con la cuchilla puede provocar lesiones personales graves.
- **Llevar siempre casco cuando se utilice el cortasetos por encima de la cabeza.** Los escombros que van cayendo pueden provocar lesiones personales graves.

**ADVERTENCIA:** usar solo con la empuñadura y la protección montadas adecuadamente en el cortasetos. El uso del cortasetos sin haberse montado adecuadamente la protección ni la empuñadura suministradas puede resultar en lesiones personales graves.

### Información adicional de seguridad

- **Antes de empezar a cortar setos, comprobar que no presente objetos ocultos, como por ejemplo vallas metálicas.**
- **Sujetar el cortasetos correctamente con las dos manos.**
- **Asegurarse siempre de que las empuñaduras y los dispositivos de protección estén montados antes de utilizar la herramienta eléctrica.**
- **No intentar usar una máquina incompleta o una máquina que haya sido sometida a un cambio no autorizado.**
- **Antes de limpiar el cortasetos, apagar la herramienta y retirar la batería.**
- **Comprobar regularmente que las cuchillas no presenten daños. De ser este el caso, es preciso repararlas de inmediato.**
- **No permitir nunca que los niños utilicen la herramienta eléctrica.**
- **Insertar la cuchilla en la cubierta, asegurarse de que la cuchilla no esté expuesta después de su uso.**
- **No utilizar la herramienta cuando haga mal tiempo, especialmente si hay tormenta.**

### Explicación de la placa de advertencia del aparato (véase fig. 2)

- 1: Aviso:
- 2: Proteger el aparato de la humedad.
- 3: Es preciso observar atentamente estas instrucciones de uso antes de la puesta en marcha.
- 4: Ponerse protección para los oídos y para la vista.

## 2. Descripción del aparato y volumen de entrega

### 2.1 Descripción del aparato (fig. 1/2)

1. Cuchilla
2. Protector de manos
3. Empuñadura guía con interruptor
4. Empuñadura con interruptor
5. Pilas
6. Cubierta protectora
7. Protección antigolpes
8. Dispositivo de retención
9. Indicador de capacidad de batería
10. Pulsador para indicar la capacidad de batería

### 2.2 Volumen de entrega

Sirviéndose de la descripción del volumen de entrega, comprobar que el artículo esté completo. Si faltase alguna pieza, dirigirse a nuestro Service Center o a la tienda especializada más cercana en un plazo máximo de 5 días laborales tras la compra del artículo presentando un recibo de compra válido.

- Abrir el embalaje y extraer cuidadosamente el aparato.
- Retirar el material de embalaje, así como los dispositivos de seguridad del embalaje y para el transporte (si existen).
- Comprobar que el volumen de entrega esté completo.
- Comprobar que el aparato y los accesorios no presenten daños ocasionados durante el transporte.
- Si es posible, almacenar el embalaje hasta que transcurra el periodo de garantía.

### Peligro!

**¡El aparato y el material de embalaje no son un juguete! ¡No permitir que los niños jueguen con bolsas de plástico, láminas y piezas pequeñas! ¡Riesgo de ingestión y asfixia!**

- Bordeadora de arbustos
- Cubierta protectora
- Manual de instrucciones original
- Instrucciones de seguridad

### Accesorios disponibles por separado

- 18V 1.5Ah P-X-C batería Li-Ion
- 18V 2.0Ah P-X-C batería Li-Ion
- 18V 2.6Ah P-X-C Plus batería Li-Ion
- 18V 3.0Ah P-X-C batería Li-Ion
- 18V 4.0Ah P-X-C batería Li-Ion
- 18V 5.2Ah P-X-C Plus batería Li-Ion
- 18V P-X-C charger

Explorar las opciones de batería y cargador en [einhellUSA.com](http://einhellUSA.com)


## 3. Uso adecuado

La bordeadora de arbustos ha sido diseñada para podar arbustos, setos y matorrales.

Utilizar la máquina sólo en los casos que se indican explícitamente como de uso adecuado. Cualquier otro uso no será adecuado. En caso de uso inadecuado, el fabricante no se hace responsable de daños o lesiones de cualquier tipo; el responsable es el usuario u operario de la máquina.

Tener en consideración que nuestro aparato no está indicado para un uso comercial, industrial o en taller. No asumiremos ningún tipo de garantía cuando se utilice el aparato en zonas industriales, comerciales o talleres, así como actividades similares.

## 4. Características técnicas

Alimentación de tensión de motor: ..... 18 V   
 Velocidad sin carga:..... 1100 rpm (min<sup>-1</sup>)  
 Longitud de juego de cuchillas:...20.5 plg (52 cm)  
 Longitud de corte máx.: ..... 18.1 plg (46 cm)  
 Diámetro de corte máximo:..... 0.43 plg (11 mm)  
 Peso: ..... 4.4 lb (2 kg)

### Usar protección para los oídos.

La exposición al ruido puede ser perjudicial para el oído.

### ¡Reducir la emisión de ruido y las vibraciones al mínimo!

- Emplear sólo aparatos en perfecto estado.
- Realizar el mantenimiento del aparato y limpiarlo con regularidad.
- Adaptar el modo de trabajo al aparato.
- No sobrecargar el aparato.

- En caso necesario dejar que se compruebe el aparato.
- Apagar el aparato cuando no se esté utilizando.
- Llevar guantes.

## 5. Antes de la puesta en marcha

### 5.1. Montaje de la batería (fig. 3)

Presionar, según se ve en la fig. 3/pos. 8, el dispositivo de retención de la batería y desplazar la batería en el alojamiento previsto para ello. En cuanto la batería se encuentre en la posición que muestra la figura 1, asegurarse de que el dispositivo de retención (8) se enclave. Para desmontar la batería, realizar los mismos pasos en orden inverso.

## 6. Manejo

### Interruptor ON/OFF.

La bordeadora de arbustos está provista de un interruptor de seguridad bimanual. Sólo funciona si se aprieta con una mano el interruptor en la empuñadura delantera (fig. 1/pos. 3) y al mismo tiempo, con la otra, el interruptor en la empuñadura trasera (fig. 1/pos. 4). Si se suelta uno de los elementos de conexión, las cuchillas de corte se detienen. Tener en cuenta la marcha en inercia de la cuchilla.

### Instrucciones relativas al trabajo

- Además de para arbustos, también se puede emplear para recortar matorrales y setos.
- Para alcanzar una óptima potencia de corte, la bordeadora de arbustos se ha de utilizar de forma que los dientes de la cuchilla se mantengan a un ángulo aprox. de 15° respecto al arbusto (véase fig. 5).
- Las cuchillas contrapuestas de corte bilateral permiten cortar en ambas direcciones (véase fig. 6).
- Para alcanzar una altura uniforme del arbusto, se recomienda tensar un hilo que sirva de referencia a lo largo del borde del mismo. Se cortarán las ramas que sobresalgan (véase fig. 7).
- Los laterales de un arbusto se recortarán con movimientos en forma de arco desde abajo hacia arriba (véase fig. 8).

### 6.1 Cómo cargar la batería de litio

Las instrucciones correspondientes se encuentran en el manual de instrucciones original del cargador.

### 6.2 Indicador de capacidad de batería (fig. 4/pos. 9)

Pulsar el interruptor para acceder al indicador de capacidad de la batería (10). El indicador de capacidad de batería (9) le indica el estado de carga de la batería sirviéndose de 3 LEDs.

#### Los 3 LED están iluminados:

La batería está completamente cargada.

#### 2 o 1 LED están iluminados

La batería dispone de suficiente carga residual.

#### 1 LED parpadea:

La batería está vacía, es preciso cargarla.

#### Todos los LED parpadean

La batería está muy descargada y defectuosa. Está prohibido emplear y cargar una batería defectuosa.

## 7. Mantenimiento, limpieza y pedido de piezas de repuesto

### Peligro!

Antes de dejar de utilizar y limpiar la bordeadora de arbustos, apagarla y extraer la batería.

### 7.1 Limpieza

- Reducir al máximo posible la suciedad y el polvo en los dispositivos de seguridad, las rendijas de ventilación y la carcasa del motor. Frotar el aparato con un paño limpio o soplarlo con aire comprimido manteniendo la presión baja.
- Se recomienda limpiar el aparato tras cada uso.
- Limpiar el aparato con regularidad con un paño húmedo y un poco de jabón blando. No utilizar productos de limpieza o disolventes ya que se podrían deteriorar las piezas de plástico del aparato. Es preciso tener en cuenta que no entre agua en el interior del aparato. Si entra agua en el aparato eléctrico existirá mayor riesgo de una descarga eléctrica.

## 7.2 Mantenimiento

- Para obtener en todo momento un óptimo rendimiento, limpiar y lubricar las cuchillas con regularidad. Eliminar con un cepillo los restos acumulados y aplicar una fina película de aceite (fig. 9).
- No es preciso realizar el mantenimiento de otras piezas en el interior del aparato.
- Para guardar la bordeadora de arbustos, se pueden colgar en la perforación de la protección antigolpes (fig. 10) con la cubierta protectora puesta en un clavo, tornillo o similar.

## 7.3 Pedido de piezas de repuesto: Servicio

1. **Si su herramienta eléctrica necesita servicio, póngase en contacto con un distribuidor autorizado de Einhell USA o llame al centro de atención al cliente de Einhell USA 1-866-EINHELL (1-866-346-4355).** Utilice exclusivamente piezas de repuesto idénticas para las reparaciones. Solo así se podrá mantener la seguridad de la herramienta eléctrica.
2. **Si el cable del cargador está dañado, cámbielo de inmediato para evitar peligros.** Si necesita asistencia, llame al centro de atención al cliente de Einhell USA® al 1-866-EINHELL (1-866-346-4355).

## 8. Eliminación y reciclaje

El aparato está protegido por un embalaje para evitar daños producidos por el transporte. Este embalaje es materia prima y, por eso, se puede volver a utilizar o llevar a un punto de reciclaje. El aparato y sus accesorios están compuestos de diversos materiales, como, p. ej., metal y plástico. Los aparatos defectuosos no deben tirarse a la basura doméstica. Para su eliminación adecuada, el aparato debe entregarse a una entidad recolectora prevista para ello. En caso de no conocer ninguna, será preciso informarse en el organismo responsable del municipio.

## 9. Averías

### El aparato no funciona:

Comprobar que la batería esté cargada y que el cargador funcione. En caso de que el aparato no funcione a pesar de haber tensión, enviarlo a la dirección indicada del servicio de asistencia técnica.

## 10. Almacenamiento

Guardar el aparato y sus accesorios en un lugar oscuro, seco, protegido de las heladas e inaccesible para los niños. La temperatura de almacenamiento óptima se encuentra entre los 41 °F y 86 °F (5 y 30 °C). Guardar la herramienta eléctrica en su embalaje original.

Sólo está permitido copiar la documentación y documentos anexos del producto, o extractos de los mismos, con autorización expresa de iSC GmbH.

Nos reservamos el derecho a realizar modificaciones técnicas

# Einhell

## LA PROMESA DE EINHELL AL CLIENTE

**LO PRIMERO ES LA CALIDAD.** El nombre de Einhell es sinónimo de herramientas de alto rendimiento y manufactura europea de alta calidad. Desde destornilladores inalámbricos hasta cortacéspedes eléctricos, Einhell USA diseña y desarrolla innovadoras herramientas para jardinería y eléctricas de mano para amantes del DIY, jardineros aficionados y manitas.

Los equipos de aseguramiento de la calidad y de ingenieros de Einhell USA garantizan que los productos se sometan a las pruebas más exigentes en materia de calidad y rendimiento. Sabemos que incluso las herramientas más resistentes pueden sufrir complicaciones. Si nota alguna anomalía en su producto, le aseguramos que haremos todo lo posible para devolverle una herramienta capaz de trabajar satisfaciendo sus exigencias.

### REGISTRO DEL PRODUCTO:

Einhell le recomienda encarecidamente que registre su compra. Puede registrarla online en **EinhellUSA.com**. En caso de no hacerlo, el producto comprado no perderá los derechos de garantía. No obstante, registrando su compra permite que Einhell le preste un mejor servicio de atención al cliente cuando lo necesite.

### ¿QUÉ CUBRE?

Einhell garantiza al propietario que, si esta máquina falla en un plazo de 2 años a partir de la fecha de compra debido a un defecto en el material, en la manufactura o como resultado de un desgaste normal del uso doméstico ordinario, Einhell le enviará una pieza o un producto de repuesto, según se necesite, de manera gratuita y sin gastos de envío al comprador original. Si, a criterio exclusivo de Einhell, la máquina averiada no se puede reparar con una pieza, Einhell decidirá si a) envía una nueva máquina de manera gratuita y sin gastos de envío, o b) reembolsa al propietario el importe completo de la compra.

### ¿QUIÉN PUEDE OBTENER COBERTURA DE GARANTÍA?

Einhell hace entrega de la presente garantía al propietario de esta máquina (una "máquina" consiste en un producto alimentado por un motor) para un uso exclusivamente doméstico y privado. Esta garantía está limitada a treinta (30) días a partir de la fecha de compra original de cualquier producto de la marca EINHELL que se use para fines comerciales o cualquier otro fin que produzca beneficios. Si la máquina cambia de propietario durante el periodo de cobertura, actualice la información del propietario de la máquina en **EinhellUSA.com**

### ¿QUÉ NO CUBRE?

Esta garantía no cubre ningún producto que haya sufrido un uso indebido, negligencia, o accidente, o que haya sido operado de forma contraria a las instrucciones de uso especificadas en el manual de servicio. La presente

garantía no cubre cambios estéticos que no afecten al funcionamiento.

Esta garantía solo será válida si la máquina se usa y mantiene conforme a las instrucciones, advertencias e instrucciones de seguridad indicadas en el manual de servicio. Einhell no se hará responsable del coste de ninguna reparación de garantía no autorizada. Esta garantía no cubre ningún costo o gasto incurrido por el comprador al proporcionar equipos sustitutos o servicio durante períodos razonables de avería o no utilización de este producto, mientras se espera por una pieza de repuesto o nuevo producto conforme a esta garantía.

La garantía no cubre piezas de desgaste como correas, brocas, cadenas ni dientes, que se pueden comprar en **EinhellUSA.com** o llamando al **1-866-EINHELL (1-866-346-4355)**. Las baterías están completamente cubiertas durante 90 días a partir de la fecha de compra.

La reparación, sustitución o el reembolso del precio de compra constituyen compensaciones exclusivas del comprador y única responsabilidad de Einhell conforme a esta garantía. Ningún empleado ni representante de Einhell está autorizado a realizar ninguna garantía adicional ni modificación alguna a la presente garantía que pueda ser vinculante para Einhell. Por consiguiente, el comprador no deberá ampararse en ninguna declaración adicional hecha por ningún empleado o representante de Einhell. Einhell no se hace responsable en ningún caso, ya se base en el contrato, indemnización, garantía, agravio (incluyendo negligencia), responsabilidad absoluta o de otro tipo, de ningún daño especial, indirecto, accidental o consecuentes incluyendo, sin limitaciones, la pérdida de beneficios o ingresos.

Algunos estados no permiten límites en las garantías. En dichos estados, no se aplicarán las limitaciones expuestas anteriormente.

Fuera de EE. UU. y Canadá se aplicarán otras garantías.

## Sommaire

1. Consignes de sécurité
2. Description de l'appareil et contenu de l'emballage
3. Utilisation conforme
4. Caractéristiques techniques
5. Avant la mise en service
6. Fonctionnement
7. Nettoyage, entretien et commande de pièces de rechange
8. Élimination et revalorisation
9. Défaillances
10. Conservation

**Danger !**

Certaines mesures de sécurité doivent être respectées pendant l'utilisation des appareils pour empêcher les blessures et les dommages. Par conséquent, lisez attentivement le présent mode d'emploi / les consignes de sécurité. Conservez-les bien pour avoir les informations toujours à la portée de la main. Si vous devez passer l'appareil à d'autres personnes, veuillez leur remettre également le présent mode d'emploi / les consignes de sécurité. Nous ne sommes pas tenus des accidents ou dommages survenus à cause de non-respect du présent mode d'emploi et des consignes de sécurité.

**1. Consignes de sécurité****Danger !**

**Lisez toutes les consignes de sécurité et instructions.** Le non-respect des consignes de sécurité et des instructions peut causer une électrocution, un incendie et / ou de graves blessures. **Conservez toutes les consignes de sécurité et instructions pour l'avenir.**

**Consignes générales de sécurité pour les outils électriques**

Le terme « outil électrique » utilisé dans les consignes de sécurité se réfère à des outils électriques alimentés par le secteur (avec câble d'alimentation) et à des outils électriques alimentés par la batterie (sans câble d'alimentation).

**1. Sécurité du lieu de travail**

- a) **Maintenez votre espace de travail propre et bien éclairé.** *Le désordre ou les espaces de travail non éclairés peuvent provoquer des accidents.*
- b) **Ne travaillez pas avec l'outil électrique dans une atmosphère explosible contenant des liquides, des gaz ou des poussières combustibles.** *Les appareils électriques génèrent des étincelles pouvant enflammer la poussière ou les vapeurs.*
- c) **Tenez à distance les enfants et autres personnes lors de l'utilisation de l'appareil électrique.** *En cas de distraction, vous pouvez perdre le contrôle de l'appareil.*

**2. Sécurité électrique**

- a) **La fiche de raccordement de l'appareil électrique doit être adaptée à la prise. La fiche ne doit être modifiée en aucune façon. N'utilisez pas de fiche d'adaptateur avec les outils électriques mis à la terre.** *Les fiches non modifiées et les prises adaptées diminuent le risque d'une électrocution.*
  - b) **Évitez le contact physique avec les surfaces mises à la terre, comme celles de conduits, des chauffages, des cuisinières et des réfrigérateurs.** *Il existe un risque élevé d'électrocution lorsque votre corps est mis à la terre.*
  - c) **Gardez les appareils électriques à l'abri de la pluie ou de l'humidité.** *La pénétration de l'eau dans un appareil électrique augmente le risque d'une électrocution.*
  - d) **Ne détournez pas le câble de sa fonction pour porter ou pour accrocher l'appareil électrique ou pour retirer la fiche de la prise. Gardez le câble à l'abri de la chaleur, de l'huile, des bords coupants ou des éléments mobiles de l'appareil.** *Les câbles endommagés ou enchevêtrés augmentent le risque d'une électrocution.*
  - e) **Si vous travaillez avec un appareil électrique dehors, utilisez uniquement une rallonge adaptée à l'usage à l'extérieur.** *L'utilisation d'une rallonge adaptée à l'usage à l'extérieur diminue le risque d'une électrocution.*
  - f) **Si l'appareil électrique doit être utilisé dans un environnement humide, utilisez un disjoncteur de protection à courant de défaut.** *L'utilisation d'un disjoncteur de protection à courant de défaut diminue le risque d'une électrocution. NOTE Le terme « dispositif à courant résiduel (DCR) » peut être remplacé par le terme « disjoncteur différentiel de fuite à la terre (DDFT) » ou « disjoncteur différentiel (ELCB) ».*
- 3. Sécurité des personnes**
- a) **Soyez attentif, prenez garde à ce que vous faites et soyez raisonnable en travaillant avec un outil électrique. N'utilisez pas un appareil électrique si vous êtes fatigué ou si vous vous trouvez sous l'effet de drogues, d'alcool ou de médicaments.** *Un instant d'inattention lors de l'utilisation de l'appareil électrique peut entraîner de graves blessures.*
  - b) **Utiliser l'équipement de protection individuelle. Porter toujours une protection des**

**yeux.** L'équipement de protection, tel que le masque anti-poussière, les chaussures de sécurité antidérapantes, le casque protecteur ou la protection auditive utilisés dans des conditions appropriées, permet de réduire les dommages corporels.

- c) **Évitez tout démarrage non intentionnel. S'assurer que le bouton marche-arrêt est en position OFF avant de connecter la source de courant et/ou la BATTERIE, de prendre et de transporter l'outil.** Transporter des outils électriques avec votre doigt sur le bouton marche-arrêt ou mettre sous tension des outils électriques dont le bouton marche-arrêt est position ON peut causer des accidents.
  - d) **Avant d'allumer l'outil électrique, retirez les outils de réglage ou les clés.** Un outil ou une clé se trouvant dans un élément tournant de la machine peut entraîner des blessures.
  - e) **Évitez une posture anormale. Ayez un appui stable et gardez l'équilibre en permanence.** Vous pouvez ainsi mieux contrôler l'outil électrique dans des situations imprévues.
  - f) **Portez des vêtements appropriés. Ne portez pas de vêtements amples ni de bijoux. Gardez les cheveux, les vêtements et les gants à distance des éléments mobiles.** Des vêtements amples, bijoux ou longs cheveux peuvent être happés par les éléments mobiles.
  - g) **Si des dispositifs d'aspiration ou de récupération des poussières peuvent être montés, assurez-vous qu'ils sont connectés et peuvent être utilisés correctement.** L'utilisation d'une aspiration des poussières peut diminuer les risques causés par la poussière.
  - h) **La familiarité acquise par l'utilisation fréquente des outils ne doit pas laisser place à la complaisance et à l'ignorance des principes de sécurité de l'outil.** Une action imprudente peut causer de graves blessures en une fraction de seconde.
- 4. Utilisation et traitement de l'outil électrique**
- a) **Ne surchargez pas l'appareil. Utilisez pour votre travail l'outil électrique adéquat.** Vous travaillez mieux et de manière plus sûre avec un outil électrique approprié dans la plage de puissance indiquée.
  - b) **N'utilisez pas un outil électrique avec un interrupteur défectueux.** Un outil électrique qui ne peut plus être allumé ou éteint est dangereux et doit être réparé.
  - c) **Débrancher la fiche de la source électrique et / ou retirer le bloc de piles de l'outil électrique, s'il est amovible, avant de procéder à des ajustements, remplacer des accessoires ou ranger les outils électriques.** De telles mesures préventives réduisent le risque de démarrage intempestif de l'outil électrique.
  - d) **Conservez les outils électriques non utilisés hors la portée des enfants. Ne permettez pas aux personnes qui ne sont pas familiarisées avec cet appareil ou qui n'ont pas lu ces instructions de l'utiliser.** Les outils électriques sont dangereux lorsqu'ils sont utilisés par des personnes inexpérimentées.
  - e) **Entretenez les outils électriques et les accessoires. Vérifier la dérive d'alignement ou l'attache des pièces mobiles, la rupture des pièces et s'assurer qu'aucun autre problème peut affecter le bon fonctionnement de l'outil électrique. Faire réparer l'outil endommagé avant l'utilisation.** De nombreux accidents sont dus au mauvais entretien des outils électriques.
  - f) **Maintenez vos outils de coupe aiguisés et propres. Les outils de coupe aux bords tranchants bien soignés se coincent moins et sont plus aisés à guider.**
  - g) **Utilisez l'outil électrique, les accessoires, les outils utilisés, etc. conformément au présent mode d'emploi. Tenez compte des conditions de travail et de l'activité à réaliser.** L'utilisation des outils électriques pour des usages autres que prévus peut entraîner des situations dangereuses.
  - h) **Garder les poignées et les surfaces de prise sèches, propres et exemptes d'huile et de graisse.** Les poignées et surfaces de prise glissantes ne permettent pas d'effectuer une manipulation et un contrôle de l'outil en toute sécurité dans des situations imprévues.
- 5. Utilisation et traitement de l'outil sans fil**
- a) **Chargez les batteries uniquement dans les chargeurs recommandés par le fabricant.** L'utilisation d'un chargeur pour des batteries non appropriées présente un risque d'incendie.



- b) **Utilisez dans les outils électriques uniquement les batteries prévues à cet effet.** *L'utilisation d'autres batteries peut entraîner des blessures et le risque d'incendie.*
- c) **Conservez la batterie non utilisée à distance des trombones, pièces de monnaie, clés, clous, vis ou autres menus objets en métal susceptibles de provoquer un pontage des contacts.** *Un court-circuit entre les contacts de la batterie peut entraîner des brûlures ou le feu.*
- d) **En cas d'utilisation incorrecte, un liquide peut s'échapper de la batterie. Ne le touchez pas. Rincer à l'eau en cas de contact fortuit. Si le liquide entre en contact avec les yeux, consultez également le médecin.** *Le liquide s'échappant de la batterie peut causer des irritations cutanées ou des brûlures.*
- e) **Ne pas utiliser une BATTERIE ou un outil endommagé(e) ou modifié(e).** *Les batteries endommagées ou modifiées peuvent agir de manière imprévisible et donner lieu à un incendie, une EXPLOSION ou un risque de blessure.*
- f) **Ne pas exposer une BATTERIE ou un outil au feu ou à une température excessive.** *Une exposition au feu ou à une température supérieure à 266°F (130°C) peut causer une explosion.*
- g) **Suivre toutes les instructions de charge et ne pas charger la BATTERIE ou l'outil en dehors de la plage de température spécifiée dans les instructions.** *Un mauvais chargement ou un chargement à des températures en dehors de la plage spécifiée peut endommager la BATTERIE et augmenter les risques d'incendie.*
- 6. Service**
- a) **Faites réparer votre outil électrique uniquement par des spécialistes qualifiés et uniquement avec des pièces de rechange d'origine.** *Cela garantit le maintien de la sécurité de l'outil électrique.*
- AVERTISSEMENTS DE SÉCURITÉ GÉNÉRAUX POUR LE BLOC DE BATTERIE**
- Utilisez uniquement la batterie de type et de taille suivants :
    - 18V 1,5Ah P-X-C batterie Li-ion
    - 18V 2,0Ah P-X-C batterie Li-ion
    - 18V 2,6Ah P-X-C Plus batterie Li-ion
    - 18V 3,0Ah P-X-C batterie Li-ion
    - 18V 4,0Ah P-X-C batterie Li-ion
  - 18V 5,2Ah P-X-C Plus batterie Li-ion
  - Ne jetez pas la batterie dans le feu. La cellule peut exploser. Consultez les règlements locaux pour connaître les instructions d'élimination spécifiques possibles.
  - N'ouvrez ni n'abîmez la batterie. L'électrolyte libéré est corrosif et peut être dangereux pour les yeux ou la peau. Il peut être toxique s'il est avalé.
  - Manipulez la batterie avec précaution afin de ne pas la court-circuiter avec des matériaux conducteurs, tels que les bagues, les bracelets et les clés. La batterie ou le conducteur peuvent surchauffer et causer des brûlures.
  - Éliminez la batterie usée vite et promptement. Lors de l'élimination des piles secondaires ou des batteries, gardez les piles ou les batteries de différents systèmes électrochimiques séparément les unes des autres.
  - Gardez la batterie hors de portée des enfants dans l'emballage d'origine jusqu'à son utilisation.
  - Ne mettez jamais les batteries dans la bouche. Si elles sont avalées, contactez immédiatement le centre antipoison local.
  - PRUDENCE – La batterie utilisée dans cet appareil peut présenter un risque d'incendie ou de brûlure chimique en cas de mauvaise manipulation. Remplacez uniquement la batterie de marque principale Einhell / gazon. L'utilisation d'une autre batterie peut présenter un risque d'incendie ou d'explosion.
  - AVERTISSEMENT : N'utilisez pas un bloc de batterie ou un appareil visiblement endommagé.
  - AVERTISSEMENT : Ne modifiez ni n'essayez de réparer l'appareil ou le bloc de batterie.
  - **LES BATTERIES DOIVENT ÊTRE RECYCLÉES.**
  - Ne court-circuitez une cellule ou une batterie. Ne conservez pas les piles ou les batteries au hasard dans une boîte ou un tiroir ou elles peuvent court-circuiter entre elles ou être court-circuitées par les matériaux conducteurs.
  - N'exposez pas les piles ou les batteries aux chocs mécaniques.
  - Gardez les piles et les batteries dans un endroit propre et sec. Essuyez les bornes des piles ou des batteries avec un linge propre et sec si elles deviennent sales.
  - Ne gardez pas les piles et les batteries chargées si vous ne les utilisez pas.
  - Conservez la pile et la batterie d'origine. N'utilisez pas d'autres chargeurs que ceux

qui sont spécifiquement fournies pour être utilisés avec l'équipement. Les piles et les batteries secondaires doivent être cherchées avant l'utilisation. Utilisez toujours le chargeur correct et référez-vous aux instructions du fabricant ou au mode d'emploi de l'équipement pour consulter les instructions de chargement correctes.

- Si possible, retirez la batterie de l'équipement lorsque vous ne l'utilisez pas.
- Empêchez tout démarrage non intentionnel. Assurez-vous que le bouton marche-arrêt est en position OFF avant de connecter le bloc de batterie, de prendre et de transporter l'outil. Le transport de l'appareil avec le doigt sur le bouton marche-arrêt ou la mise sous tension des appareils électriques dont le bouton marche-arrêt est en position ON peuvent causer des accidents.
- Déconnectez le bloc de batterie de l'appareil avant de procéder aux ajustements, de remplacer les accessoires ou de ranger l'appareil. De telles mesures préventives réduisent le risque de démarrage intempestif de l'appareil
- Dans des conditions abusives, un liquide peut sortir de la batterie, évitez le contact. En cas de contact accidentel, rincez avec de l'eau. En cas de contact du liquide avec les yeux, consultez un médecin. Le liquide sorti de la batterie peut causer des irritations ou des brûlures.
- Confiez le service à un réparateur qualifié qui utilise uniquement les pièces de rechange identiques. Cela permettra de maintenir la sécurité du produit.

#### CONSIGNES DE SÉCURITÉ IMPORTANTES POUR LE CHARGEUR

**AVERTISSEMENT** : Ce produit peut contenir du plomb, du phtalate ou autres produits chimiques reconnus par l'État de Californie comme cause de cancer, d'anomalies congénitales et de lésions de l'appareil reproducteur. Veuillez laver vos mains après l'utilisation.

#### Consignes de sécurité pour taille-haies

##### Avertissements de taille-haies :

- **Garder toutes les parties du corps à l'écart de la lame de coupe. Ne pas retirer le matériel coupé ou tenir le matériel à couper lorsque les lames sont en mouvement. S'assurer que le commutateur est en position off lors du retrait d'un matériel coincé. Les lames décélèrent après l'arrêt.** Un moment d'inattention pendant l'uti-

lisation du taille-haie peut causer de graves blessures corporelles.

- **Tenir le taille-haie par la poignée avec la lame de coupe arrêtée. Lors du transport ou de l'entreposage du taille-haie, fixer toujours le couvercle du dispositif de coupe.** Une manipulation appropriée du taille-haie diminue le risque de blessures corporelles causées par les lames de coupe.
- **Tenir l'outil électrique seulement par les surfaces de prises isolées, parce que la lame de coupe pourrait toucher des fils électriques cachés ou son propre cordon d'alimentation.** Les lames de coupe en contact avec un fil sous tension peuvent entraîner l'électrification des parties métalliques exposées et pourraient provoquer un choc électrique
- **Tenir ses mains à l'écart de la lame.** Le contact avec la lame entrainera de graves blessures.
- **Portez toujours un casque pendant l'utilisation du taille-haies au-dessus de la tête.** La chute de débris peut causer de graves blessures.

**AVERTISSEMENT – utiliser uniquement avec la poignée et la protection correctement montées sur le taille-haies. L'utilisation du taille-haies sans protection correcte ou la poignée fournies peut entraîner une grave blessure.**

#### Consignes de sécurité supplémentaires

- **Avant de commencer la taille de haies, vérifiez s'il y a des objets dissimulés, tels que clôtures barbelées.**
- **Tenez le taille-haies correctement avec les deux mains.**
- **Assurez-vous toujours que toutes les poignées et protections sont fixées avant d'utiliser l'outil électrique.**
- **N'utilisez pas une machine incomplète ou ayant subi une modification non autorisée.**
- **Avant le nettoyage du taille-haies, mettez à l'arrêt l'outil et retirez le bloc de batterie.**
- **Vérifiez régulièrement si les lames sont endommagées, si c'est le cas, réparez-les immédiatement.**
- **Ne permettez jamais aux enfants d'utiliser l'outil électrique.**
- **Insérez la lame dans le couvre-lame, assurez-vous que la lame est bien protégée après l'utilisation.**

- **N'utilisez pas l'outil par du mauvais temps, en particulier pendant les orages.**

#### Explication de la plaque signalétique sur l'appareil (voir la fig. 2)

- 1: Avertissement !
- 2: Protégez contre l'humidité !
- 3: Lisez le mode d'emploi avant l'utilisation !
- 4: Portez la protection visuelle et acoustique !

## 2. Description de l'appareil et contenu de l'emballage

### 2.1 Description de l'appareil (fig. 1/2)

1. Guide
2. Protection des mains
3. Poignée de guidage avec la touche de commande
4. Poignée avec touche de commande
5. Batterie
6. Protège-guide
7. Protection anti-chocs
8. Touche d'enclenchement
9. Témoin de charge de la batterie
10. Bouton de témoin de charge de la batterie

### 2.2 Contenu d'emballage

Veillez contrôler l'intégralité de l'article au moyen du contenu d'emballage décrit. En cas de pièces manquantes, veuillez contacter notre centre de service à la clientèle ou le point de vente où vous avez acheté l'appareil au plus tard dans les 5 jours ou-vrables à compter de l'achat de l'article en présentant un ticket de caisse valable.

- Ouvrez l'emballage et retirez-en prudemment l'appareil.
- Enlevez le matériau d'emballage ainsi que les sécurités d'emballage et de transport (le cas échéant).
- Contrôlez l'intégralité du contenu d'emballage.
- Vérifiez si l'appareil et les accessoires présentent des dommages dus au transport.
- Si possible, conservez l'emballage jusqu'à l'expiration de la durée de garantie.

#### **Danger !**

**L'appareil et le matériau d'emballage ne sont pas un jouet ! Les enfants ne doivent pas jouer avec des sachets en plastique, des films ou de petites pièces ! Il existe le risque d'ingestion et de suffocation !**

- Taille-haies
- Protège-guide
- Mode d'emploi d'origine
- Consignes de sécurité

#### Accessoires disponibles séparément

- 18V 1,5Ah P-X-C batterie Li-ion
- 18V 2,0Ah P-X-C batterie Li-ion
- 18V 2,6Ah P-X-C Plus batterie Li-ion
- 18V 3,0Ah P-X-C batterie Li-ion
- 18V 4,0Ah P-X-C batterie Li-ion
- 18V 5,2Ah P-X-C Plus batterie Li-ion
- 18V P-X-C chargeur

Explorez les options de batterie + chargeur sur [einhellUSA.com](http://einhellUSA.com)


## 3. Utilisation conforme

Ce taille-haies convient pour tailler les haies, buissons et arbustes.

La machine ne doit être utilisée que conformément à sa destination. Toute autre utilisation dépassant ce cadre n'est pas conforme. C'est l'utilisateur / l'opérateur qui est responsable de tous les dommages ou blessures de toute nature en résultant et non pas le fabricant.

Veillez noter que nos appareils n'ont pas été conçus pour une utilisation commerciale, artisanale ou industrielle. Nous n'accordons aucune garantie si l'appareil est utilisé dans des entreprises commerciales, artisanales ou industrielles ou pour des activités équivalentes.

## 4. Caractéristiques techniques

Alimentation électrique du moteur: ..... 18 V   
 Régime à vide: ..... 1100 tr/min (rpm)  
 Longueur de lame: ..... 52 cm (20,5 po.)  
 Longueur de coupe max.: ..... 46 cm (18,1 po.)  
 Diamètre de coupe max.: ..... 11 mm (0,43 po.)  
 Poids: ..... 2 kg (4,4 lb)

#### **Portez une protection auditive.**

Le bruit peut provoquer une perte d'acuité auditive.

### Limitez à un minimum l'émission de bruit et les vibrations !

- Utilisez uniquement des appareils irréprochables.
- Entretenez et nettoyez l'appareil régulièrement.
- Adaptez votre méthode de travail à l'appareil.
- Ne surchargez pas l'appareil.
- Faites examiner l'appareil le cas échéant.
- Éteignez l'appareil lorsqu'il n'est plus utilisé.
- Portez des gants.

## 5. Avant la mise en service

### 5.1. Montage de la batterie (fig. 3)

Appuyez sur la touche de verrouillage de la batterie comme dans la fig. 3 / pos. 8 et poussez la batterie dans le compartiment prévu à cette fin. Dès que la batterie est en position montrée à la figure 1, prendre garde à l'enclenchement de la touche de verrouillage (8) ! Le démontage de la batterie s'effectue dans l'ordre inverse !

## 6. Fonctionnement

### Mettre en marche / à l'arrêt.

Le taille-haies est équipé d'une commande de sécurité bimanuelle. Il ne fonctionne que si la touche de commande sur la poignée de guidage (fig. 1 / pos. 3) est actionnée avec une main et avec l'autre main, le commutateur sur la poignée (fig. 1 / pos. 4). Si un des éléments de commande est relâché, les lames de coupe s'arrêtent. Faites attention à la sortie des lames de coupe.

### Instruction d'utilisation

- En dehors des haies, le taille-haies peut également être utilisé pour tailler les arbustes et les buissons.
- Vous obtiendrez la meilleure performance de coupe en dirigeant le taille-haies de manière à orienter les dents de la lame à un angle d'env. 15° par rapport à la haie (voir fig. 5).
- Les lames contrebalancées à deux tranchants permettent de tailler dans les deux sens (voir fig. 6).
- Pour obtenir une hauteur de haie homogène, il est recommandé de tendre un fil en guise de cordeau le long de la bordure de haie. Les branches qui dépassent doivent être coupées (voir fig. 7).

- Les surfaces latérales d'une haie doivent être taillées par des mouvements circulaires de bas en haut (voir fig. 8).

### 6.1 Chargement de la batterie LI

Vous trouverez les instructions correspondantes dans le mode d'emploi d'origine de votre chargeur.

### 6.2 Affichage de la capacité de la batterie (image 4/Pos. 9)

Appuyez sur l'interrupteur de l'affichage de la capacité de la batterie (10). L'affichage de la capacité de la batterie (9) signale l'état de charge de la batterie au moyen de 3 LEDs.

#### Les 3 LEDs s'allument:

La batterie est complètement chargée.

#### 2 ou 1 LED(s) s'allume(nt):

La batterie a une charge résiduelle suffisante.

#### 1 LED clignote:

La batterie est déchargée, chargez la batterie.

#### Toutes les LEDs clignent:

La batterie a été profondément déchargée et est défectueuse. Une batterie défectueuse ne peut plus être utilisée et chargée!

## 7. Nettoyage, entretien et commande de pièces de rechange

### Danger !

Avant le rangement et le nettoyage du taille-haies, le désactiver et retirer la batterie.

### 7.1 Nettoyage

- Maintenez les dispositifs de protection, les fentes d'aération et les carters de moteur aussi exempt de poussières et de saletés que possible. Frottez l'appareil avec un linge propre et nettoyez-le à l'air comprimé à basse pression.
- Nous recommandons de nettoyer l'appareil directement après chaque utilisation.
- Nettoyez l'appareil régulièrement avec un linge humide et un peu de savon noir. N'utilisez pas de détergeant ni de solvants ; ils peuvent détériorer les éléments en plastique de l'appareil. Veillez à ce que l'eau ne puisse pas pénétrer à l'intérieur de l'appareil. La pé-

nétration de l'eau dans un appareil électrique augmente le risque d'une électrocution.

- Enlevez les dépôts sur le capot de protection à l'aide d'une brosse

### 7.2 Entretien

- Pour avoir en permanence les meilleures performances, les lames devraient être régulièrement nettoyées et lubrifiées. Enlevez les dépôts à l'aide d'une brosse et appliquez une légère pellicule d'huile (fig. 9).
- Aucune autre pièce à l'intérieur de l'appareil n'exige la maintenance.
- Pour l'entreposage, le taille-haies avec le guide monté peut être suspendu à un clou, une vis, etc. par l'álásage dans la protection anti-chocs (fig. 10).

### 7.3 Commande des pièces de rechange :

#### Service

1. **Si votre outil électrique doit être réparé, veuillez contacter un distributeur autorisé d'Einhell USA ou appeler le centre de service à la clientèle d'Einhell USA au numéro 1-866-EINHELL (1-866-346-4355).** Seules les pièces de rechange identiques doivent être utilisées pour les réparations. Cela permet de garantir la sécurité de l'outil électrique.
2. **Si le câble du chargeur est endommagé, il doit être immédiatement remplacé pour empêcher un accident.** Pour obtenir de l'assistance, veuillez contacter le centre de service à la clientèle d'Einhell USA® au numéro 1-866-EINHELL (1-866-346-4355).

## 8. Élimination et revalorisation

L'appareil se trouve dans un emballage pour empêcher les dommages dus au transport. Cet emballage constitue une matière première et peut par conséquent être réutilisé ou peut être recyclé. L'appareil et ses accessoires sont fabriqués à partir de différents produits, comme p. ex. le métal et les matières plastiques. Ne jetez pas les appareils défectueux dans les déchets ménagers. Pour être éliminé de façon appropriée, l'appareil devrait être déposé à un lieu de collecte approprié. Si vous ne connaissez aucun lieu de collecte, informez-vous auprès de l'administration municipale.

## 9. Défaillances

### L'appareil ne marche pas :

Vérifiez si la batterie est chargée et si le chargeur fonctionne. Si l'appareil ne fonctionne pas étant sous tension, veuillez l'envoyer à l'adresse du service à la clientèle indiqué.

## 10. Conservation

Conservez l'appareil et ses accessoires dans un endroit sombre, sec et exempt de gel ainsi que hors la portée des enfants. La température de conservation optimale se situe entre 41 °F et 86 °F (5 °C et 30 °C). Conservez l'outil électrique dans l'emballage d'origine.

Une réimpression ou toute autre reproduction de la documentation et des documents accompagnant les produits, même par extraits, ne sont autorisées qu'avec accord exprès d'iSC GmbH.

Sous réserve des modifications techniques.

# Einhell

## PROMESSE D'EINHELL À SES CLIENTS

**LA QUALITÉ PRIME.** Le nom d'Einhell est synonyme des outils performants et de la fabrication européenne de haute qualité. Des perceuses sans fil aux tondeuses à gazon électriques, Einhell USA conçoit et développe des outils électriques et de jardinage à main de pointe pour les bricoleurs, jardiniers amateurs et réparateurs.

Les équipes d'assurance de la qualité et d'ingénieurs d'Einhell USA garantissent que les produits subissent de sévères tests de qualité et de performance. Nous savons que parfois les outils solides traversent les époques dures. Si jamais vous avez un problème avec votre produit, soyez sûr que nous ferons tout notre possible pour vous rendre un outil prêt à travailler aussi dur que vous.

### ENREGISTREMENT DU PRODUIT :

Einhell vous encourage vivement d'enregistrer votre achat. Vous pouvez enregistrer en ligne sur **EinhellUSA.com**. Si vous n'enregistrez pas le produit que vous avez acheté, cela n'affectera pas vos droits de garantie. Toutefois, si vous enregistrez votre achat, Einhell pourra mieux vous servir pour tous vos besoins de client.

### QU'EST-CE QUI EST COUVERT ?

Einhell garantit au propriétaire que si cet appareil a un problème pendant une période de 2 ans à partir de la date d'achat à cause d'un défaut de matériau ou de fabrication ou en raison de l'usure normale au cours d'un usage domestique normal, Einhell enverra une pièce ou un produit de rechange, au besoin, gratuitement et sans frais de port à l'acheteur initial. Si, à la seule discrétion d'Einhell, l'appareil défectueux ne peut pas être réparé avec une pièce, Einhell soit (A) enverra gratuitement et sans frais de port un nouvel appareil, soit (B) remboursera au propriétaire la totalité du prix d'achat.

### QUI PEUT SOLLICITER LA COUVERTURE DE GARANTIE ?

Cette garantie est consentie par Einhell au propriétaire de cet appareil (un « appareil » consiste en un produit alimenté par un moteur) pour un usage domestique personnel exclusivement. Cette garantie est limitée aux trente (30) jours à compter de l'achat initial de tout produit de marque EINHELL utilisé à des fins commerciales ou à d'autres fins lucratives. Si la propriété de cet appareil change pendant la période couverte, veuillez mettre à jour l'information relative au propriétaire de l'appareil sur **EinhellUSA.com**

### QU'EST-CE QUI N'EST PAS COUVERT ?

Cette garantie ne couvre pas les produits ayant fait l'objet d'un usage abusif ou négligent, d'un manque d'entretien, ayant été impliqués dans un accident ou employés d'une façon contraire au mode d'emploi, comme c'est spécifié dans le guide d'utilisation. Cette

garantie ne couvre pas les modifications superficielles n'affectant pas la performance.

Cette garantie n'est valable que si l'appareil est utilisé et entretenu conformément aux instructions, avertissements et mises en garde figurant dans le manuel du propriétaire. Einhell ne sera pas responsable du coût des réparations de garantie non autorisées. Cette garantie ne couvre pas les coûts et dépenses engagés par l'acheteur pour se procurer un équipement ou un service de substitution pendant les périodes raisonnables de dysfonctionnement ou de non-utilisation de ce produit dans l'attente d'une pièce ou d'une unité de rechange en vertu de cette garantie.

Les pièces d'usure, comme les courroies, les vis sans fin, les chaînes et les dents, ne sont pas couvertes par cette garantie et peuvent être achetées sur **EinhellUSA.com** ou en appelant au numéro **1-866-EINHELL (1-866-346-4355)**. Les batteries sont entièrement couvertes pendant 90 jours à partir de la date d'achat.

La réparation, le remplacement et le remboursement du prix d'achat sont les seuls moyens de l'acheteur et la seule responsabilité d'Einhell au titre de cette garantie. Les employés et les représentants d'Einhell ne sont pas autorisés à concéder une garantie supplémentaire ni à apporter une modification de cette garantie susceptible d'engager Einhell. Par conséquent, l'acheteur ne devrait pas se fier aux déclarations supplémentaires faites par un employé ou un représentant d'Einhell. En aucun cas, sur la base d'un contrat, d'une indemnisation, d'une garantie, d'un tort (y compris la négligence), d'une responsabilité sans faute, etc., Einhell ne sera responsable des dommages spécifiques, indirects, accessoires ou consécutifs, y compris mais sans s'y limiter la perte de bénéfices ou de revenus.

Certains États n'autorisent pas de limitations aux garanties. Dans tels États, les limitations ci-dessus pourraient ne pas s'appliquer à vous.

D'autres garanties peuvent s'appliquer en dehors des États-Unis et le Canada.



A series of horizontal lines for writing, starting from the top right and extending down to the bottom of the page.



A series of horizontal lines for writing, starting from the top right of the page and extending downwards. The first line is partially obscured by the pencil illustration.





A series of 20 horizontal lines for writing, starting from the line where the pencil is positioned and extending down the page.

**Einhell**

[www.EinhellUSA.com](http://www.EinhellUSA.com)

EH 07/2019 (01)