

1200W Rake and Scarifier

Quick Set-Up Guide

Safety Precautions

IMPORTANT!

To stop the scarifier unit, release the ON/OFF switch lever.

- Always switch off and disconnect from the mains, and wait until the motor has stopped before altering any settings, carrying out any maintenance, inspection or cleaning of the unit.
- Before use, always inspect the unit for signs of wear or damage. Never use the unit in wet conditions; or if there are inflammable or explosive fluids, liquids or gases nearby; or if the mains cable has been snagged or appears damaged. Disconnect the plug immediately from the mains supply if the unit suffers from unusual vibrations.
- Always keep other people, children and pets at least 10 m away from the unit while it is working.
- Always work in good light, wear strong anti slip footwear and trousers. Ensure your feet are a good distance from the end of the tube / wheels.
- Never allow children or others who are not familiar with the operating instructions to use this Electric Rake and Scarifier.
- When using any electrical equipment outdoors it is recommended that you connect it to the mains supply via an RCD (Residual Current Device) to help in protecting against the risk of electric shock. The operating current of the RCD must not exceed 30mA.

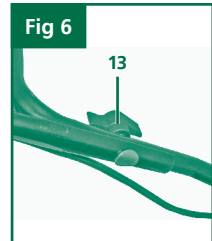
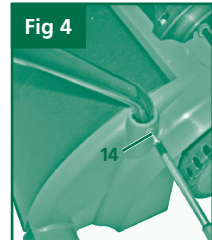
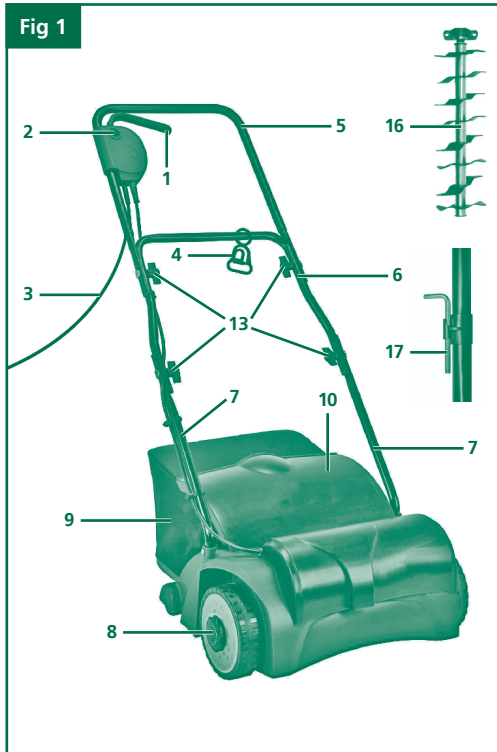
IMPORTANT!

Please read all the warnings contained in the instruction booklet.

1200W Rake and Scarifier

Quick Set-Up Guide

Using the Electric Rake and Scarifier



First insert the push bar brackets (Fig. 3/Item 7) into the provided openings (Fig. 4) & fasten the brackets with the retaining screws (Fig. 4/Item 14).

Slide the stress-relief clip (Fig. 5/Item 4) onto the lower push bar tube before fitting the lower push bar (Fig. 5/Item 6) over the push bar brackets. Then connect the tubes together, using the screws & knobs supplied (Fig. 6/Item 13).

Position the upper push bar (Fig. 1/Item 5) such that its holes line up with the holes of the lower bar, and connect the tubes together, using the screws & knobs supplied (Fig. 1/Item 13).

Using the cable clips supplied (Fig. 7), attach the power cable to the tubes of the push bars so that it is possible to open and shut the ejector flap (Fig. 8/Item 12).

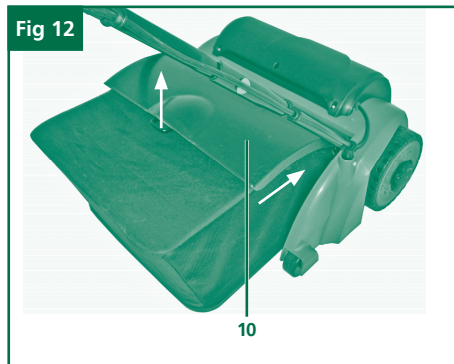
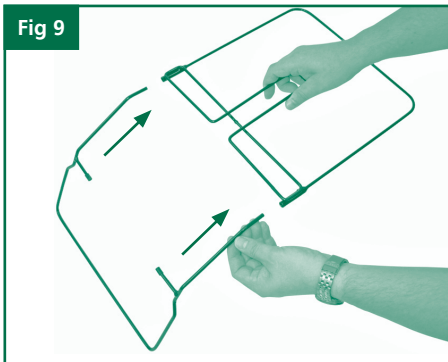
IMPORTANT!

Please ensure that the ejector flap (Fig. 1/Item 10) can be opened and closed easily!

1200W Rake and Scarifier

Quick Set-Up Guide

Using the Electric Rake and Scarifier



Assemble the grass basket frame parts together (Fig. 9), then pull the material bag over the assembled metal frame (Fig. 10), and finally fit the rubber clips over the metal frame (Fig. 11).

To hang the grass basket on the scarifier you must lift the ejector flap (Fig. 12/Item 10) with one hand and with the other hand take hold of the grass bag by the handle and hook it onto the scarifier from above (Fig. 12).

IMPORTANT!

Before you hook the grass basket to the scarifier you must ensure that the motor is switched off and the cutting unit is not rotating.

1200W Rake and Scarifier

Quick Set-Up Guide

Using the Electric Rake and Scarifier



The scarifier depth is adjusted at both front wheels via the adjustment mechanism (Fig. 13). For this, pull out the adjusting screw and turn the wheel to the left or right into one of the available positions (0/I/II/III). Align the numbers to the 12:00 o'clock position. See the User Guide for information on the available height settings.

IMPORTANT!

The scarifier depth must always be identically set on both sides!

To switch ON, press and hold in, the safety lock-off button (Fig. 16 / Item 2) and then pull the lever switch (Fig. 16/Item 3), towards the handle push-bar (Fig. 16/Item 1).

IMPORTANT!

To stop the scarifier unit, release the ON/OFF switch lever.

IMPORTANT!

Check the User Guide for instructions how to change from the scarifying roller to the rake roller.

