



# Einhell

**BLUE**

## BT-SB 200 Band Saw

Art.-No. 43.080.22

The band saw BT-SB 200 offers many possibilities for sawing along and mitre cuts. The band saw is suitable for sawing of wood, plastics or similar materials. The spike guidance makes an optimal leading of the band saw blade possible. Furthermore the BT-SB 200 is equipped with an appliance for a dust extractor.

### Features

- Parallel guide (1)
- Saw table can be pivoted continuously from 0° to 45° (2)
- Push stick

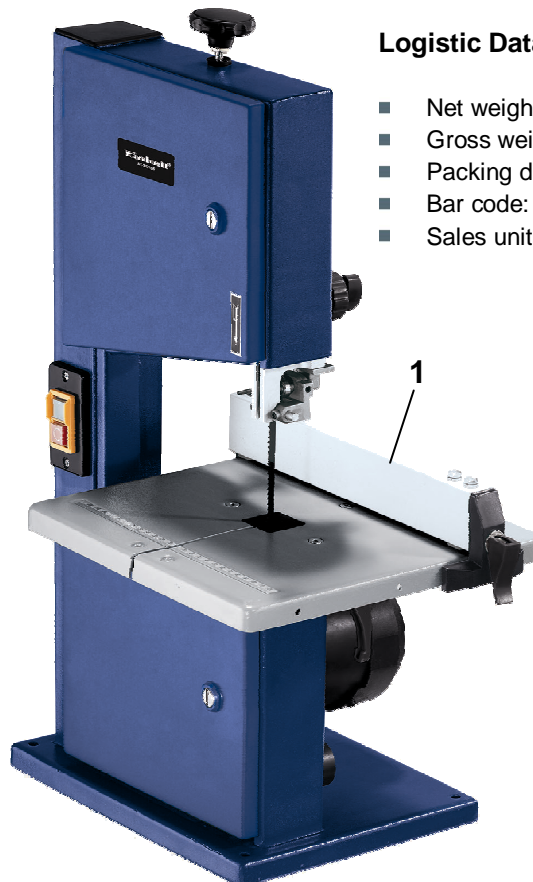


### Technical data

- Mains: 230 V ~ 50 Hz
- Power: 250 W S 2 15 min
- Idle speed: 1,400 rpm
- Saw blade speed: 900 m/min
- Saw blade length: 1,400 mm
- Cutting height: 80 mm at 90°  
45 mm at 45°
- Throat depth: 200 mm
- Table size: 300 x 300 mm
- Table tiltable: 0° to 45°
- Dust adaptor: Ø 36 mm
- Product weight: 13.2 kg

### Logistic Data

- Net weight: 15.4 kg
- Gross weight: 17.6 kg
- Packing dimensions: 350 x 270 x 720 mm
- Bar code: 4006825 540215
- Sales unit: 1 pc



As special accessory available:

**Saw band 6 teeth / 25 mm** Art.-No.: 45.061.56  
Bar code: 4006825 508116