

© Operating Instructions
Stone Cutting Machine

Einhell®

7

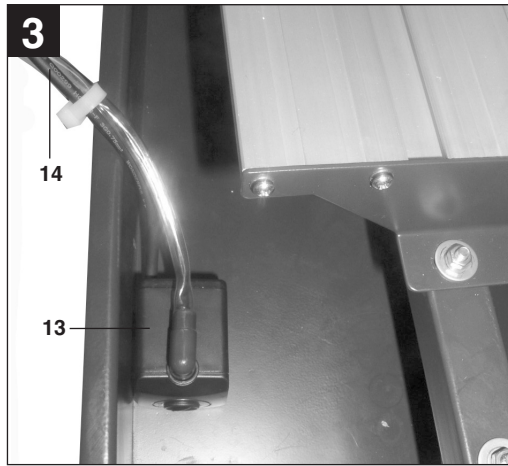
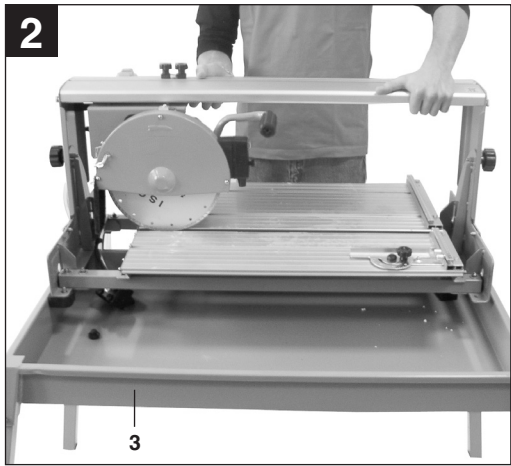
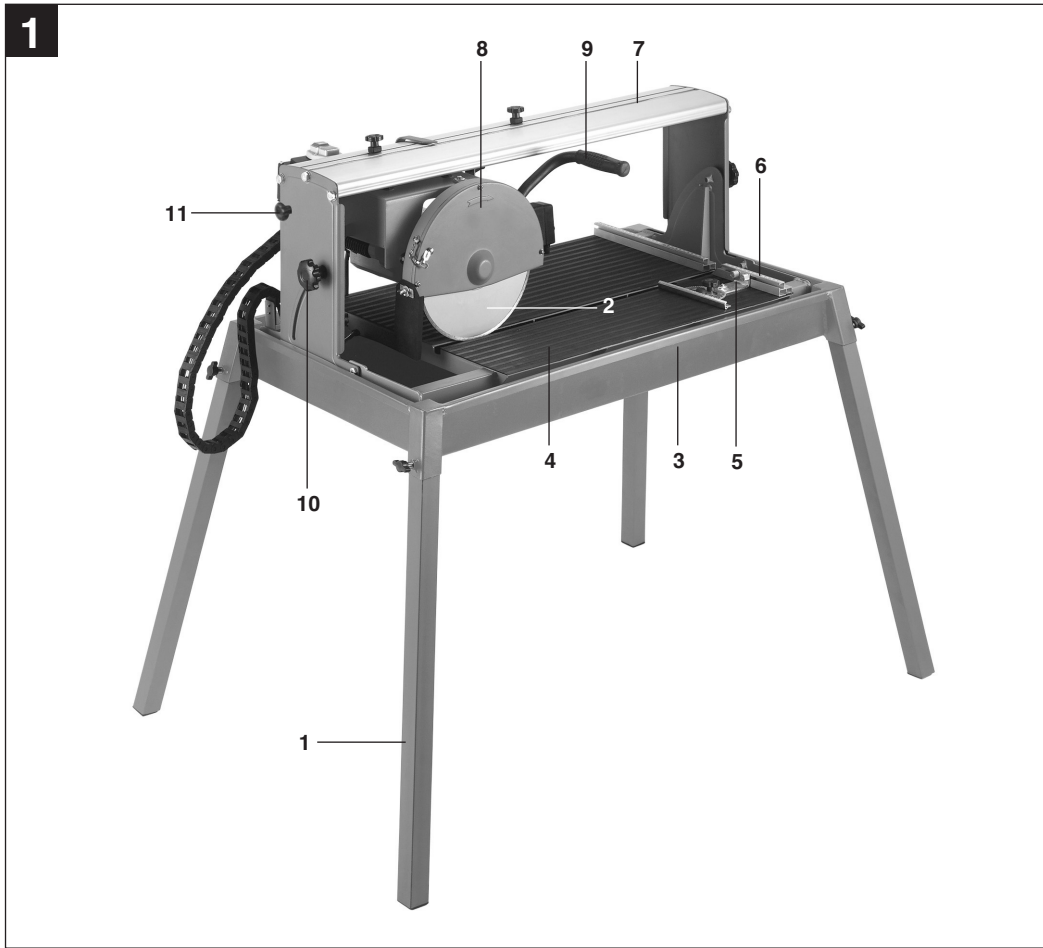
Art.-Nr.: 43.014.45

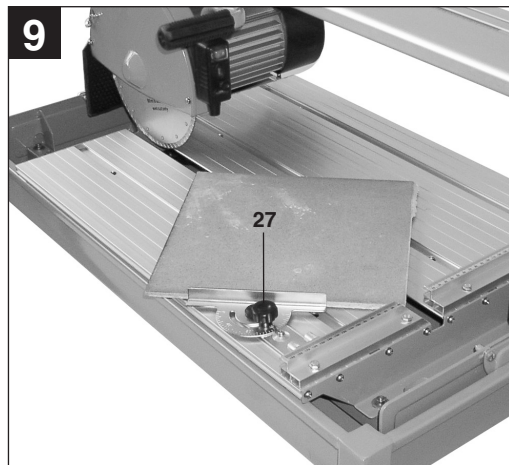
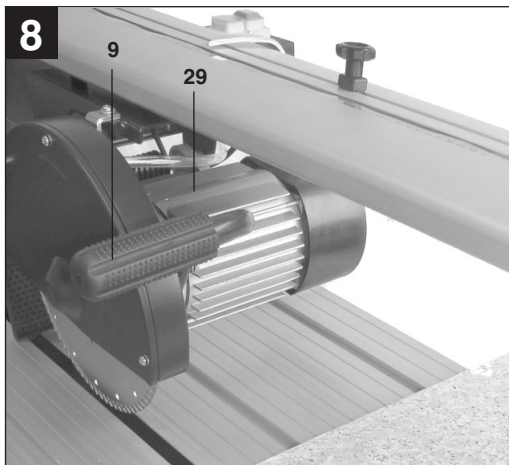
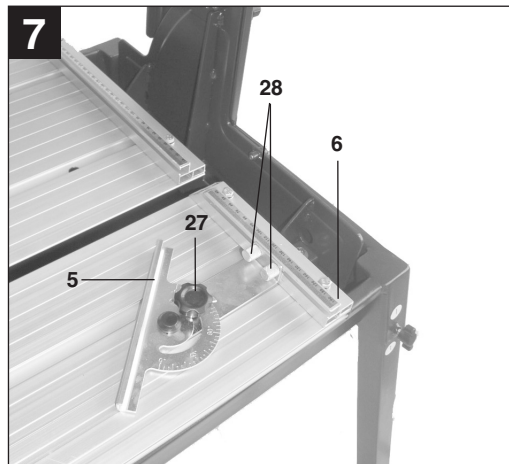
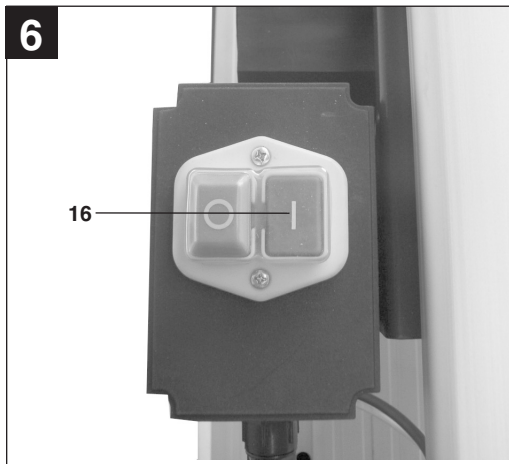
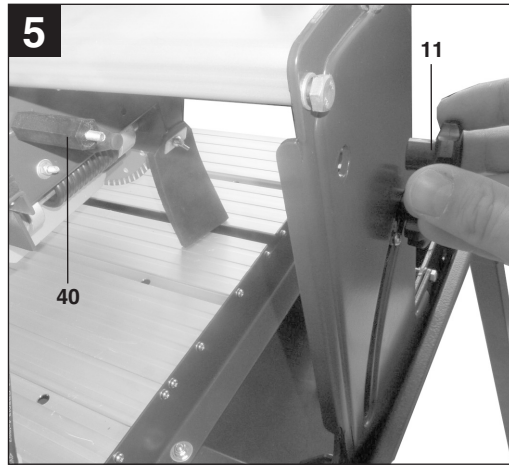
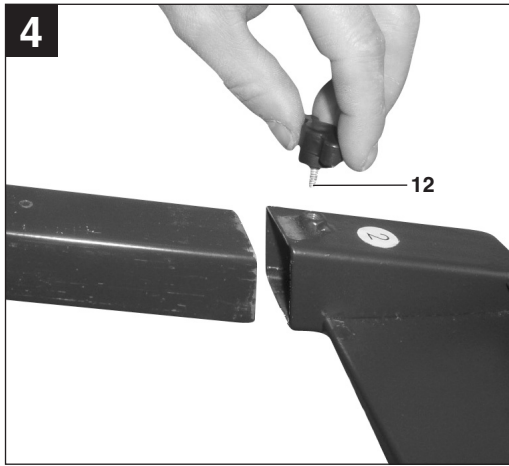
I.-Nr.: 01018

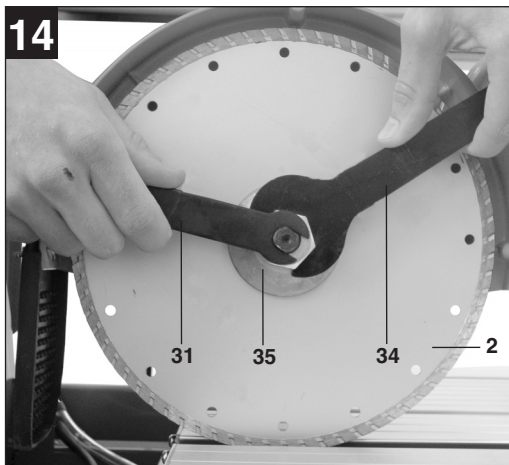
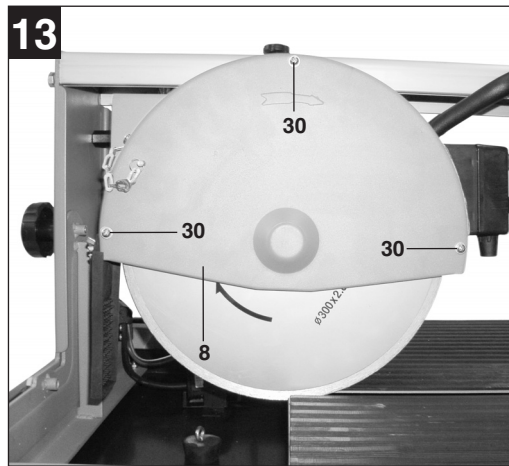
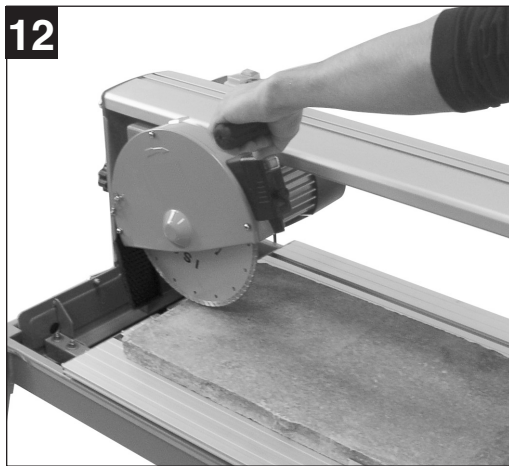
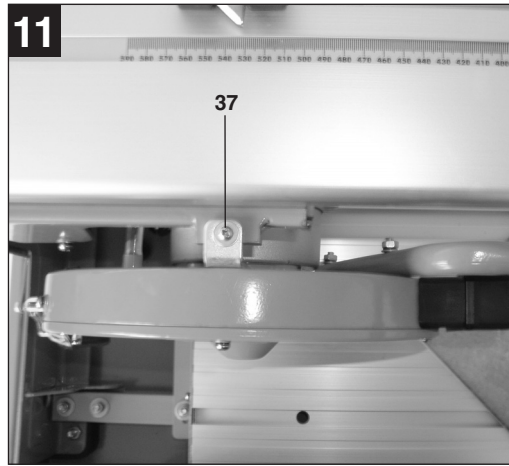
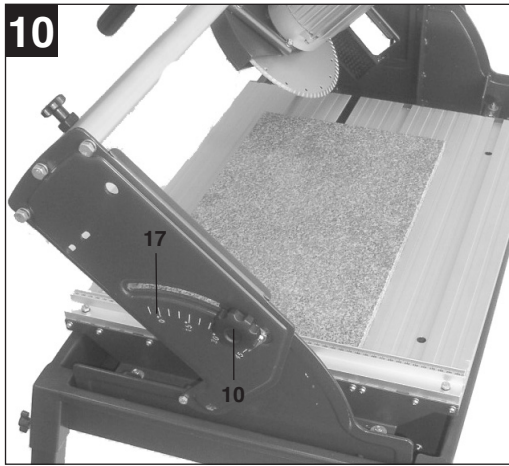
RT-SC **570 L**

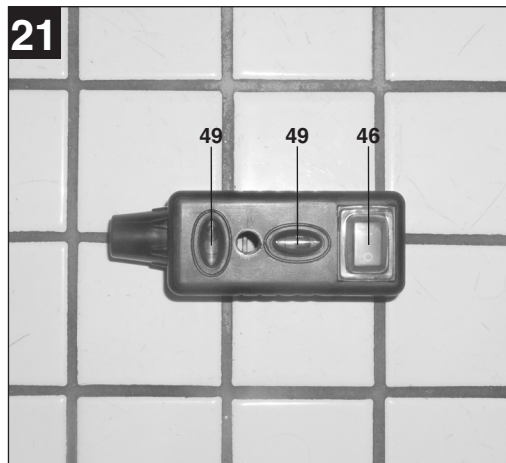
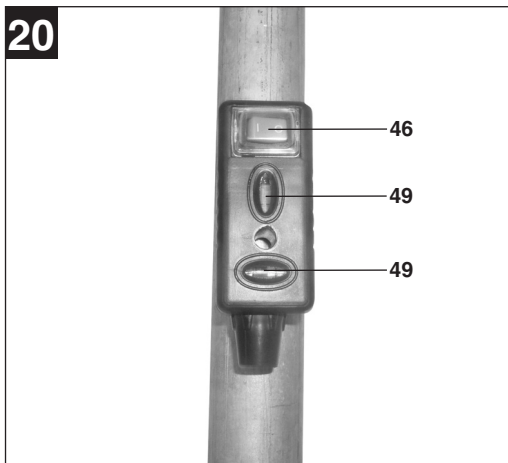
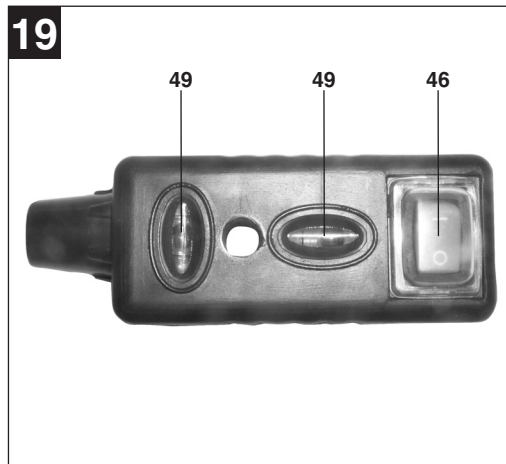
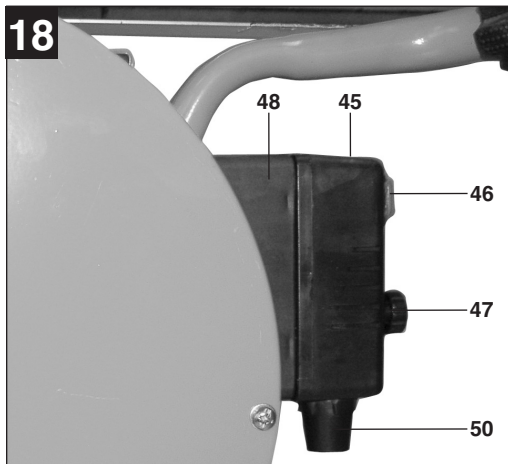
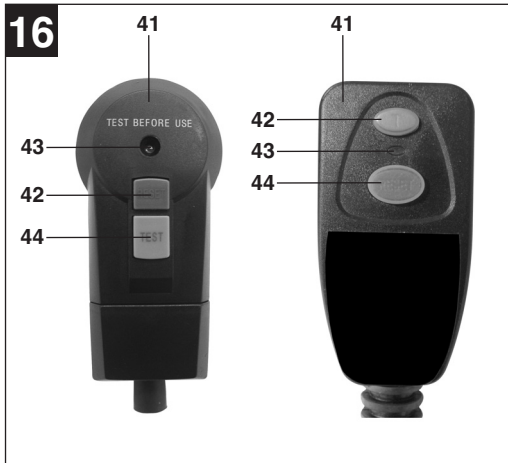


Ⓢ Read and follow the operating instructions and safety information before using for the first time.

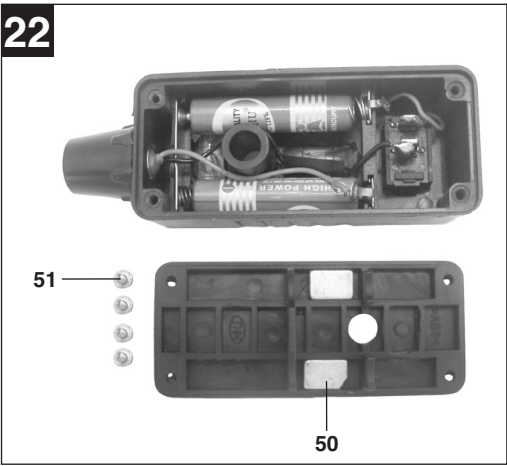








22



GB**⚠ Important!**

When using the equipment, a few safety precautions must be observed to avoid injuries and damage. Please read the complete operating instructions and safety regulations with due care. Keep this manual in a safe place, so that the information is available at all times. If you give the equipment to any other person, hand over these operating instructions and safety regulations as well. We cannot accept any liability for damage or accidents which arise due to a failure to follow these instructions and the safety instructions.



Caution:
Laser radiation.
Do not look into the beam!
Laser class 2

**Achtung
 Laserstrahlung
 Nicht in den Strahl blicken!**

Laserspezifikation
 nach EN 60825-1: 2001 1894S-8X17
 Laser Klasse 2
 λ: 650 nm P: < 1 mW

Protect yourself and your environment from accidents by taking the appropriate precautionary measures.

- Do not look directly into the laser beam with the naked eye.
- Never look directly into the laser path.
- Never direct the laser beam at reflecting surfaces, persons or animals. Even a low output laser beam can inflict injury on the eye.
- Caution: It is vital to follow the work procedures described in these instructions. Using the tool in any other way may result in hazardous exposure to laser radiation.
- Never open laser module.
- When the tool is not going to be used for an extended period of time, the batteries should be removed.

1. Layout (Fig. 1/2)

1. Feet
2. Diamond wheel
3. Trough
4. Work table
5. Angle stop
6. Rail fence
7. Chain bar
8. Safety hood for the cutting wheel
9. Handle
10. Star grip screw for setting the angle
11. Star grip screw for securing during transportation
12. Thumb screws
13. Cooling water pump
14. Hose
15. Motor
16. ON/OFF switch
17. Angle scale

2. Items supplied

- Stone cutting machine
- Trough (3)
- Cooling water pump (13)
- Angle stop (5)
- Feet (1)

3. Proper use

The stone cutting machine can be used for normal cutting work on concrete slabs, cobblestones, marble and granite slabs, bricks, tiles, etc. as long as the machine is large enough to take them. It is designed for DIY applications and craft businesses. It should never be used for cutting wood or metal. **The machine should be used exclusively for its intended purpose.** No other use is permitted and the manufacturer will not accept liability for any damages or injury resulting from any such use; responsibility rests with the user/operator in any such case. Only use cutting wheels which are suitable for the machine. Saw blades should never be used. Compliance with the safety instructions, the assembly instructions, and advice and instructions on operation contained in the operating instructions also falls under the terms of intended use. All persons operating or carrying out maintenance work on the machine must be acquainted with the above and be aware of all potential dangers. In addition, strict compliance with the accident prevention regulations in force in your area, as well as all other general rules of health and safety at

work, is imperative. The manufacturer's liability shall be deemed void if the machine is modified in any way and the manufacturer shall therefore accept no liability for any damages arising as a result of modifications. Even if the machine is used as intended, certain residual risk factors cannot be completely eliminated. For reasons of design and the construction of the machine, the following eventualities are possible:

- Contact with the diamond cutting wheel where it is not covered.
- Contact with the diamond cutting wheel while it is turning.
- Defective diamond tips flying off the cutting wheel.
- Workpieces or parts of workpieces kicking back.
- Damage to hearing if the ear-muffs specified are not used.

Please note that our equipment has not been designed for use in commercial, trade or industrial applications. Our warranty will be voided if the machine is used in commercial, trade or industrial businesses or for equivalent purposes.

4. Important instructions

4.1. General

Please read this manual carefully and pay particular attention to the instructions contained within it. Use this information to get to know the machine, its correct operation and safety regulations (see supplementary sheet) before using for the first time.

4.2. Additional safety instructions

- Set up the machine on a level, non-slip floor. Make sure that the machine does not wobble.
- Check that the voltage on the rating plate is the same as your supply voltage. Only then are you to insert the power plug in the socket-outlet.
- Wear safety goggles.
- Wear ear-muffs.
- Wear safety gloves.
- Never use cracked diamond cutting wheels. Replace immediately.
- Never use segmented cutting wheels.
- **Caution!** The cutting wheel runs on after the machine is switched off!
- Never apply side pressure to the diamond cutting wheel in order to bring it to a halt.
- **Caution!** The diamond cutting wheel must be cooled with water at all times.
- Always pull out the power plug before changing the cutting wheel.
- Use only suitable diamond cutting wheels.

- Never leave the machine unattended in rooms with children.
- Always pull out the power plug before examining the electric motor compartment system

⚠ CAUTION!

Read all safety regulations and instructions.

Any errors made in following the safety regulations and instructions may result in an electric shock, fire and/or serious injury.

Keep all safety regulations and instructions in a safe place for future use.

5. Technical data

| | |
|------------------------------|------------------|
| Motor rating | 1550 W S2 20 min |
| Motor speed | 3000 rpm |
| AC motor | 220 V ~ 60 Hz |
| Insulation material class | Class B |
| Protection type | IP54 |
| Table size | 630 x 450 mm |
| Cut length | 570 mm |
| Jolly length | 570 mm |
| Max. workpiece thickness 90° | 65 mm |
| Max. workpiece thickness 45° | 48 mm |
| Diamond wheel | Ø 250 x Ø 25.4 |
| Weight | 54 kg |
| Laser class | 2 |
| Laser wavelength | 650 nm |
| Laser output | < 1 mW |
| Laser power supply | 2 x 1.5 V (AAA) |

Load factor:

A load factor of S2 20 min (intermittent periodic duty) means that you may operate the motor continuously at its nominal power level (1500 W) for no longer than the time stipulated on the specifications label (20 minutes ON period).

If you fail to observe this time limit the motor will overheat. During the OFF period the motor will cool again to its starting temperature.

Noise emission levels

The noise emitted by this saw is measured in accordance with EN ISO 3744; EN ISO 11201. The noise at the workplace may exceed 85 dB (A). The user will require noise protection measures if this is the case. (Wear ear-muffs!)

GB

No-Load operation

| | |
|-------------------------------|----------|
| Sound pressure level L_{pA} | 94,5 dB |
| Sound power level L_{WA} | 107,5 dB |

6. Before using for the first time

- The machine must be set up so that it stands firmly, i.e. it must be securely screwed to a work bench, the base frame supplied in delivery, or similar.
- All covers and safety devices must be correctly attached before the machine is used for the first time.
- The cutting wheel must rotate smoothly.
- Check that the voltage on the rating plate is the same as your supply voltage before you connect the machine to the power supply.

7. RCD plug (Fig. 16)

Connect the RCD plug (41) to the power supply. Press the reset button (42) and the control lamp (43) will begin to shine. Press the test button (44) to check the function of the RCD plug. If everything is working properly the control lamp (43) will go out and the contact to the power supply will be interrupted. The RCD plug triggers at a fault current of 30 mA. Defective RCD plugs must be replaced by a qualified electrician.

Press the reset key (42) again in order to be able to start up the machine.

8. Assembly and operation (Fig. 3/4/5)**8.1 Fitting the hose and cable guide (Fig. 17)****8.2 Assembly of the sub-frame and cooling water pump (Fig. 2-4)**

- Secure the feet (1) to the water trough using the thumb screws (12).
- Place the complete tile cutter into the trough (3).
- Place the cooling water pump (13) in a suitable position in the water trough and secure it to the base of the trough with the suction cups. The pump, cable and cooling water hose (14) must not be able to get into the cutting area.
- Fill with water until the pump (13) is completely immersed in water.
- Remove the star handle screw (11) and spacer (40).

Important: Before you lift the machine out of the trough or transport it, the cutting unit must be secured again with the star handle screw (11) and spacer (40).

8.3 ON/OFF switch (Fig. 6)

- To switch on, press the "1" on the ON/OFF switch (16).
- Before you begin cutting, wait until the cutting wheel has reached maximum speed and the cooling water pump (13) has started supplying the cutting wheel with water.
- To switch off, press the "0" on the switch (16).

8.4 90° Cutting (Fig. 7/8)

- Loosen the star grip screw (27).
- Set the angle stop (5) to 90° and retighten the star grip screw (27).
- Retighten the screws (28) to fasten the angle stop (5).
- Move the machine head (29) to the far end with the handle (9).
- Position the tile against the rail fence (6) on the angle stop (5).
- Switch on the tile cutting machine.
- **Caution:** Always wait until the cooling water has reached the cutting wheel (2) first.
- Move the machine head (29) slowly and smoothly forward through the tile with the handle (9).
- Switch off the tile cutting machine after completion of cutting.

8.5 45° Diagonal cut (Fig. 9)

- Set the angle stop (5) to 45°.
- Cut as described in 8.4

8.6 45° Lengthwise cut, "jolly cut" (Fig.10)

- Loosen the star grip screw (10).
- Tilt the guide rail (7) to the left to 45° on the angle scale (17).
- Retighten the star grip screw (10).
- Cut as described in 8.4.

8.7 Machining large workpieces (Fig. 11/12)

To enable you to machine large workpieces, the cutting unit can be pivoted upwards. In this position you can machine workpieces with a length of up to 570 mm (up to a max. workpiece thickness of 38 mm).

- Remove the screw (37) on the top for this purpose.
- The cutting unit will pivot upwards automatically.
- You can now complete the required cuts as described in sections 8.4 to 8.6. All that is required is slight additional pressure downwards on the handle.

8.8 Changing the diamond cutting wheel (Fig. 13/14)

- Pull out the power plug.
 - Unscrew the 3 screws (30) and remove the safety hood (8) for the blade.
 - Place the wrench (31) on the motor shaft and hold.
 - Using the wrench (34), loosen the flange nut in the direction of rotation of the cutting wheel (2). (Caution: Left-hand screw-thread.)
 - Remove the outer flange (35) and cutting wheel (2).
 - Clean the mounting flange thoroughly before fitting the new cutting wheel.
 - Fit the new cutting wheel by following the above procedures in reverse and then tighten.
- Caution:** Pay attention to the direction of rotation of the cutting wheel!
- Mount the safety hood (8) for the blade again.

9. Operating the laser (Fig. 18-22)**9.1 Stationary operation (Fig. 18/19)**

To switch on: Move the ON/OFF switch (46) to the "I" position.

To switch off: Move the ON/OFF switch (46) to the "0" position.

Switch on the laser (45). A laser line is projected onto the material you wish to process, providing an exact guide for the cut. You can additionally adjust the laser with the screw (47). To do so, undo the screw (47) by a few turns. The laser (45) can now be moved and adjusted vertically and horizontally on the adapter (48). Tighten screw (47) again when you are satisfied with the adjustment.

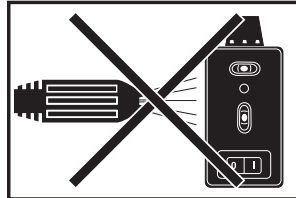
9.2 Use as a laser level unit (Fig. 18-21)

Remove the screw (47). The laser (45) can now be taken off the adapter (48) and used as an external laser level unit. The laser (45) is equipped with two spirit levels (49) and can therefore be adjusted both horizontally and vertically. The base plate (50) of the laser is magnetic, enabling it to be secured on suitable surfaces.

See Figures 20 and 21 for two examples of use.

9.3 Replacing the battery

Unscrew the 4 screws (51) and remove the base plate (50). Take out the old batteries and replace with new ones. Then screw the base plate (50) back on.



Dismantle the laser before you clean the machine with water.

10. Maintenance

- Clean off all dust and soiling from the machine at regular intervals, preferably with a cloth or a brush.
- Lubricate all moving parts at regular intervals.
- Do not use any aggressive cleaning agents to clean plastic parts.
- Clean off any soiling on the trough (3) and cooling agent pump (13) at regular intervals, otherwise the diamond cutting wheel (2) may not be cooled as required. To empty the trough, remove the rubber stopper (36) and drain the water into a suitable vessel (Fig. 15).

11. Ordering replacement parts

Please quote the following data when ordering replacement parts:

- Type of machine
- Article number of the machine
- Identification number of the machine
- Replacement part number of the part required

For our latest prices and information please go to www.isc-gmbh.info

GB

12. Disposal and recycling

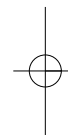
The unit is supplied in packaging to prevent its being damaged in transit. This packaging is raw material and can therefore be reused or can be returned to the raw material system.

The unit and its accessories are made of various types of material, such as metal and plastic. Defective components must be disposed of as special waste. Ask your dealer or your local council.

13. Battery disposal

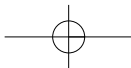
Batteries contain materials that are potentially harmful to the environment. Never place batteries in your household refuse, in fire or in water. Batteries should be collected, recycled or disposed of by environment-friendly means. Send your old batteries to ISC GmbH, Eschenstrasse 6 in D-94405 Landau. You can then be sure that the equipment will be correctly disposed of by the manufacturer.





Ⓒ

- The product meets the requirements of EN 61000-3-11 and is subject to special connection conditions. This means that use of the product at any freely selectable connection point is not allowed.
- Given unfavorable conditions in the power supply the product can cause the voltage to fluctuate temporarily.
- The product is intended solely for use at connection points that
 - a) do not exceed a maximum permitted supply impedance "Z", or
 - b) have a continuous current-carrying capacity of the mains of at least 100 A per phase.
- As the user, you are required to ensure, in consultation with your electric power company if necessary, that the connection point at which you wish to operate the product meets one of the two requirements, a) or b), named above.



DISTRIBUTOR & A/S CENTER in Korea :

Kubo-Tech, Inc.
D Block Room No. 35-310, Guro Machinery & Tools Shopping Center
604-1, Guro-dong, Guro-gu, Seoul 152-050 Korea
Tel : 02-2675-0942/0943 Fax : 02-2675-0944
e-Mail : smakorea@yahoo.co.kr

©

The reprinting or reproduction by any other means, in whole or in part, of documentation and papers accompanying products is permitted only with the express consent of ISC GmbH.

14

© Technical changes subject to change

GUARANTEE CERTIFICATE

Dear Customer,

All of our products undergo strict quality checks to ensure that they reach you in perfect condition. In the unlikely event that your device develops a fault, please contact our service department at the address shown on this guarantee card. Of course, if you would prefer to call us then we are also happy to offer our assistance under the service number printed below. Please note the following terms under which guarantee claims can be made:

1. These guarantee terms cover additional guarantee rights and do not affect your statutory warranty rights. We do not charge you for this guarantee.
2. Our guarantee only covers problems caused by material or manufacturing defects, and it is restricted to the rectification of these defects or replacement of the device. Please note that our devices have not been designed for use in commercial, trade or industrial applications. Consequently, the guarantee is invalidated if the equipment is used in commercial, trade or industrial applications or for other equivalent activities. The following are also excluded from our guarantee: compensation for transport damage, damage caused by failure to comply with the installation/assembly instructions or damage caused by unprofessional installation, failure to comply with the operating instructions (e.g. connection to the wrong mains voltage or current type), misuse or inappropriate use (such as overloading of the device or use of non-approved tools or accessories), failure to comply with the maintenance and safety regulations, ingress of foreign bodies into the device (e.g. sand, stones or dust), effects of force or external influences (e.g. damage caused by the device being dropped) and normal wear resulting from proper operation of the device.

The guarantee is rendered null and void if any attempt is made to tamper with the device.

3. The guarantee is valid for a period of 2 years starting from the purchase date of the device. Guarantee claims should be submitted before the end of the guarantee period within two weeks of the defect being noticed. No guarantee claims will be accepted after the end of the guarantee period. The original guarantee period remains applicable to the device even if repairs are carried out or parts are replaced. In such cases, the work performed or parts fitted will not result in an extension of the guarantee period, and no new guarantee will become active for the work performed or parts fitted. This also applies when an on-site service is used.
4. In order to assert your guarantee claim, please send your defective device postage-free to the address shown below. Please enclose either the original or a copy of your sales receipt or another dated proof of purchase. Please keep your sales receipt in a safe place, as it is your proof of purchase. It would help us if you could describe the nature of the problem in as much detail as possible. If the defect is covered by our guarantee then your device will either be repaired immediately and returned to you, or we will send you a new device.

Of course, we are also happy offer a chargeable repair service for any defects which are not covered by the scope of this guarantee or for units which are no longer covered. To take advantage of this service, please send the device to our service address.