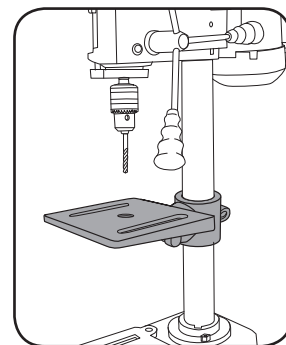
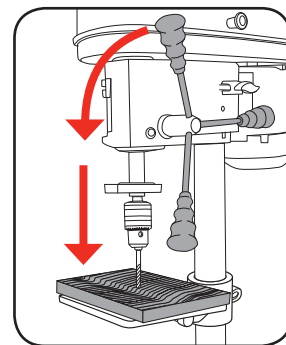


OPERATION (cont.)

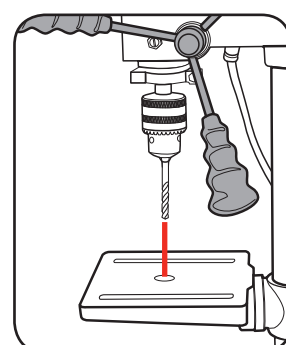
- Adjust the table to your desired position.



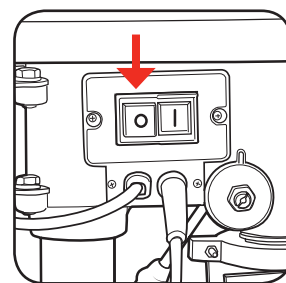
- Slowly rotate the feed wheel handles to bring the drill bit down towards the table and into your workpiece. After drilling a hole, release the feed wheel handles slowly to return the 13mm keyed chuck to its original position.



Note: Ensure the hole in the centre of the table is aligned with the drill bit. If not aligned, use the 4mm Hex key provided to loosen the head assembly on the column support and re-align the head assembly. Re-tighten the 2 head lock screws.



- Continue the operation until the task is completed. When completed, switch the drill press off by pressing the red (O) button on the switch.



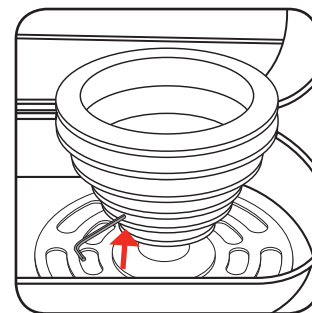
MAINTENANCE

5. GENERAL MAINTENANCE

WARNING! ENSURE THE DRILL PRESS IS DISCONNECTED FROM THE POWER SUPPLY BEFORE PERFORMING ANY MAINTENANCE.

- Ball bearings are packed with grease at the factory. No further lubrication of bearings is required.
- Lubricate all moving parts periodically. Wipe the column, table and base with an oily cloth to minimise corrosion.
- Keep air vents clean of dust and dirt.
- Remove dust and dirt from the drill press regularly with a soft cloth, brush or compressed air.
- If the power cord is damaged, have it replaced by an electrician or a power tool repairer.
- Regularly check that all bolts, screws and nuts are securely fixed as these could work loose during normal operation.
- If the drive belt will not align with the pulleys. The pulleys may be worn and need to be replaced. To remove the pulleys, use the 3mm hex key provided. Loosen in an anti-clockwise direction.

Note: Ozito Industries will not be responsible for any damage or injuries caused by the repair of the drill press by an unauthorised person or by mishandling of the drill press.



TROUBLESHOOTING

WARNING! FAILURE TO UNPLUG YOUR DRILL PRESS COULD RESULT IN ACCIDENTAL STARTING CAUSING POSSIBLE SERIOUS PERSONAL INJURY.

Problem	Cause	Remedy
Drill press will not start	Power cord not connected to the mains power supply	Ensure that the power cord is connected to the mains power
	Power fault	Check the mains power supply
	Power cord damage	Use an authorised service centre to repair or replace
Noisy operation	Faulty switch or motor	Use an authorised service centre to repair or replace
	Pulley cover not secured	Check the pulley cover is closed and lowered correctly in position
	Incorrect belt tension	Adjust tension as required
Drill bit burns	Incorrect speed	Adjust speed as described in the "Changing the speed" section
Excessive drill bit wobble	Bent or damaged drill bit	Use a new drill bit
	Drill bit is not securely placed in the 13mm keyed chuck	Remove the drill bit and reinsert correctly, ensure the chuck jaws are fully tightened
	The 13mm keyed chuck is not installed correctly	Ensure you install the 13mm keyed chuck correctly
Drill bit binds in workpiece	Belt tension is set incorrectly	Re-adjust the belt tension

DESCRIPTION OF SYMBOLS

V	Volts	Hz	Hertz
~	Alternating current	W	Watts
/min	Revolutions or reciprocation per minute	n _o	No load speed
		Hp	Horse power
⚠	Warning	👁	Use eye protection

SPARE PARTS

Spare parts can be ordered from the Special Orders Desk at your local Bunnings Warehouse or Homebase store.

For further information, or any parts visit www.ozito-diy.co.uk or contact Ozito Customer Service: Great Britain: 0151 294 4488 Ireland: 1850 882711 E-mail: info@ozito-diy.co.uk

ELECTRICAL SAFETY

WARNING! When using mains-powered tools, basic safety precautions, including the following, should always be followed to reduce risk of fire, electric shock, personal injury and material damage.

Read and understand the manual prior to operating this tool. Save these instructions and other documents supplied with this tool for future reference.

Before you connect the appliance to the mains supply make sure that the data on the rating plate are identical to the mains data. If the supply cord is damaged, it must be replaced by a qualified electrician or a power tool repairer in order to avoid a hazard.

The power supply for this products charger should be protected by a residual current device (rated at 30mA or less). A residual current device reduces the risk of electric shock.

Using an Extension Lead

Always use an approved extension lead suitable for the power input of this tool. Before use, inspect the extension lead for signs of damage, wear and ageing. Replace the extension lead if damaged or defective.

When using an extension lead on a reel, always unwind the lead completely. Use of an extension lead not suitable for the power input of the tool or which is damaged or defective may result in a risk of fire and electric shock.

GENERAL POWER TOOL SAFETY WARNINGS

WARNING! Read all safety warnings and all instructions. Failure to follow the warnings and instructions may result in electric shock, fire and/or serious injury. Save all warnings and instructions for future reference. The term "power tool" in the warnings refers to your mains-operated (corded) power tool or battery-operated (cordless) power tool.

- Work area safety**
 - Keep work area clean and well lit. Cluttered or dark areas invite accidents.
 - Do not operate power tools in explosive atmospheres, such as in the presence of flammable liquids, gases or dust. Power tools create sparks which may ignite the dust or fumes.
 - Keep children and bystanders away while operating a power tool. Distractions can cause you to lose control.
- Electrical safety**
 - Power tool plugs must match the outlet. Never modify the plug in any way. Do not use any adapter plugs with earthed (grounded) power tools. Unmodified plugs and matching outlets will reduce risk of electric shock.
 - Avoid body contact with earthed or grounded surfaces, such as pipes, radiators, ranges and refrigerators. There is an increased risk of electric shock if your body is earthed or grounded.
 - Do not expose power tools to rain or wet conditions. Water entering a power tool will increase the risk of electric shock.
 - Do not abuse the cord. Never use the cord for carrying, pulling or unplugging the power tool. Keep cord away from heat, oil, sharp edges or moving parts. Damaged or entangled cords increase the risk of electric shock.
 - When operating a power tool outdoors, use an extension cord suitable for outdoor use. Use of a cord suitable for outdoor use reduces the risk of electric shock.
 - If operating a power tool in a damp location is unavoidable, use a residual current device (RCD) protected supply. Use of an RCD reduces the risk of electric shock.
- Personal safety**
 - Stay alert, watch what you are doing and use common sense when operating a power tool. Do not use a power tool while you are tired or under the influence of drugs, alcohol or medication. A moment of inattention while operating power tools may result in serious personal injury.
 - Use personal protective equipment. Always wear eye protection. Protective equipment such as dust mask, non-skid safety shoes, hard hat, or hearing protection used for appropriate conditions will reduce personal injuries.
 - Prevent unintentional starting. Ensure the switch is in the off-position before connecting
- to power source and/or battery pack, picking up or carrying the tool.** Carrying power tools with your finger on the switch or engaging power tools that have the switch on invites accidents.
- Remove any adjusting key or wrench before turning the power tool on.** A wrench or a key left attached to a rotating part of the power tool may result in personal injury.
- Do not overreach. Keep proper footing and balance at all times.** This enables better control of the power tool in unexpected situations.
- Dress properly. Do not wear loose clothing or jewellery. Keep your hair, clothing and gloves away from moving parts.** Loose clothes, jewellery or long hair can be caught in moving parts.
- If devices are provided for the connection of dust extraction and collection facilities, ensure these are connected and properly used.** Use of dust collection can reduce dust-related hazards.
- Power tool use and care**
 - Do not force the power tool. Use the correct power tool for your application. The correct power tool will do the job better and safer at the rate for which it was designed.
 - Do not use the power tool if the switch does not turn it on and off. Any power tool that cannot be controlled with the switch is dangerous and must be repaired.
 - Disconnect the plug from the power source and/or the battery pack from the power tool before making any adjustments, changing accessories, or storing power tools. Such preventive safety measures reduce the risk of starting the power tool accidentally.
 - Store idle power tools out of the reach of children and do not allow persons unfamiliar with the power tool or these instructions to operate the power tool. Power tools are dangerous in the hands of untrained users.
 - Maintain power tools. Check for misalignment or binding of moving parts, breakage of parts and any other condition that may affect the power tool's operation. If damaged, have the power tool repaired before use. Many accidents are caused by poorly maintained power tools.
 - Keep cutting tools sharp and clean. Properly maintained cutting tools with sharp cutting edges are less likely to bind and are easier to control.
 - Use the power tool, accessories and tool bits etc. in accordance with these instructions, taking into account the working conditions and the work to be performed. Use of the power tool for operations different from those intended could result in a hazardous situation.
- Service**
 - Have your power tool serviced by a qualified repair person using only identical replacement parts. This will ensure that the safety of the power tool is maintained.
 - If the supply cord is damaged, it must be replaced by the manufacturer, its service agent or similarly qualified persons in order to avoid a hazard.

DRILL PRESS SAFETY WARNINGS

WARNING! For your own safety, do not try to use your drill press or plug it in until it is completely assembled and installed according to the instructions and until you have read and understood the following:

- Your drill press must be bolted securely to a workbench. In addition, if there is any tendency for your drill press to move during certain operations, bolt the workbench to the floor.
- This drill press is intended for use in dry conditions and indoor use only.
- Always wear safety goggles which comply to a recognised standard. Use a face or dust mask along with safety goggles if the drilling operation is dusty. Use ear protectors, especially during extended periods of operation.
- Do not try to drill material too small to be securely held. Do not drill material that does not have a flat surface unless it is clamped securely.
- Always keep hands out of the path of the drill bit. Avoid awkward hand positions where a sudden slip could cause your hand to move into the drill bit.
- Do not install or use any drill bit that exceeds 175mm (7 inches) in length or extends more than 150mm (6 inches) below the chuck jaws. They can suddenly bend outwards or break.
- Do not use wire wheels, router bits, shaper cutters, circle (fly) cutters or rotary planers on this drill press.
- When drilling a large piece of material make sure it is fully supported at the table height.
- Do not perform any operation freehand. Always hold the workpiece firmly against the table so it will not rock or twist. Use clamps or a vice for unstable workpieces.
- Make sure there are no nails or foreign objects in the part of the workpiece to be drilled.
- Whenever possible, position the workpiece to contact the left side of the column; if it is too short or the table is tilted, clamp solidly to the table.
- If the workpiece overhangs the table such that it will fall or tip if not held, clamp it to the table or provide auxiliary support.
- Set the drill press to a speed appropriate to the job.
- Do not start the drill press while the drill bit is touching the workpiece.
- When using a drill press vice, always fasten it to the table.
- Make sure all clamps and locks are firmly tightened before drilling.
- Securely lock the head and table support to the column, and the table to the table support before operating your drill press.
- Never turn your drill press on before clearing the table of all objects (tools, scraps of wood etc.)
- Before starting the operation, jog the motor switch to make sure the drill bit does not wobble or vibrate.
- Let the spindle reach full speed before starting to drill. If your drill press makes an unfamiliar noise or if it vibrated excessively, stop immediately, turn the drill press off and unplug it. Do not restart until the problem is corrected.
- Do not perform layout assembly or setup work on the table while the drill press is in operation.
- Do not exceed the rpm stated on the bit or accessory. See the instructions that come with the accessory.
- When drilling large diameter holes, clamp the workpiece firmly to the table. Otherwise, the bit may grab and spin the workpiece at high speed. Do not use fly cutters or multiple-part cutters, as they can come apart or become unbalanced in use.
- Make sure the spindle has come to a complete stop before touching the workpiece.
- To avoid injury from accidental starting, always turn the switch off and unplug the drill press before installing or removing any accessory attachment or making any adjustment.
- This appliance is not intended for use by persons (including children) with reduced physical, sensory or mental capabilities, or lack of experience and knowledge, unless they have been given supervision or instruction concerning use of the appliance by a person responsible for their safety.
- Children should be supervised to ensure that they do not play with the appliance.
- If the supply cord is damaged, it must be replaced by the manufacturer, its service agent or similarly qualified persons in order to avoid a hazard.

CAUTION: Do not expose to rain or use in damp locations.
WARNING! For your own safety read instruction manual before operating drill press. Wear eye protection, do not wear gloves, necktie or loose clothing, clamp workpiece or brace against column to prevent rotation, use recommended speed for drill accessory and workpiece material.

ozito

DRILL PRESS

350W 5 Speed

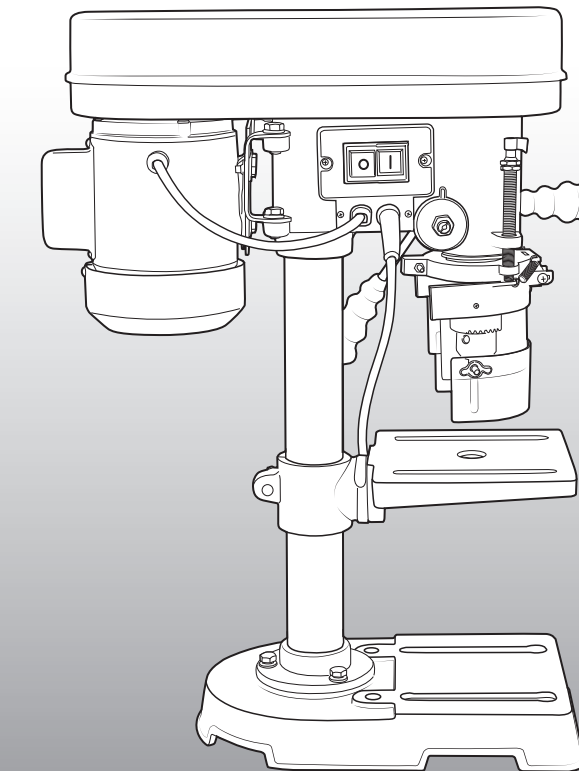
ORIGINAL INSTRUCTIONS

SPECIFICATIONS

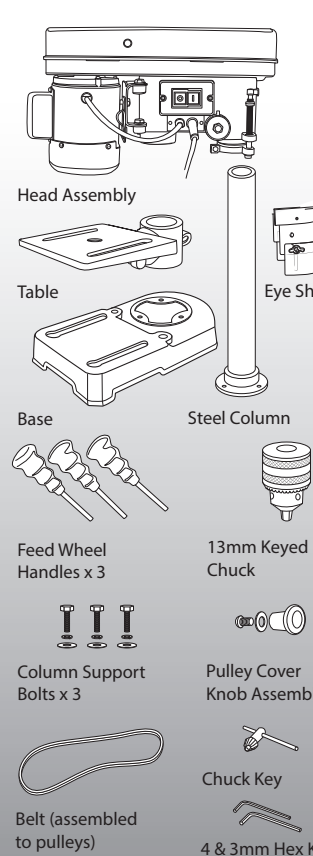
Motor:	350W
Input:	230 - 240V - 50Hz
No Load Speed:	580, 850, 1220, 1650, 2650/min
Chuck Capacity:	1.5 - 13mm keyed 50mm
Spindle Travel:	50mm
Spindle Shaft to Column Distance:	104mm
Column Height:	395mm
Table Size:	160x160mm
Weight:	16.4kg

ozito-diy.co.uk

3 YEAR REPLACEMENT WARRANTY



WHAT'S IN THE BOX



WARRANTY

All of our products undergo strict quality checks to ensure that they reach you in perfect condition. In the unlikely event that your device develops a fault, please contact our service department at the address shown on this guarantee card. You can also contact us by telephone using the customer service number shown. Please note the following terms under which guarantee claims can be made:

- These warranty terms regulate additional warranty services, which the manufacturer mentioned below promises to buyers of its new products in addition to their statutory guarantee claims are not affected by this guarantee. Our guarantee is free of charge to you.

- The warranty services only covers defects due to material or manufacturing faults on a product which you have bought from the manufacturer mentioned below are limited to either the rectification of said defects on the product or the replacement of the product, whichever you prefer.

Please note that our devices are not designed for use in commercial, trade or professional applications. A guarantee contract will not be created if the device has been used by commercial, trade or industrial business or has been exposed to similar stresses during the guarantee period.

- The following are not covered by our guarantee:

- Damage to the device caused by a failure to follow the assembly instructions or due to incorrect installation, a failure to follow the operating instructions (for example connecting it to an incorrect mains voltage or current type) or a failure to follow the maintenance and safety instructions or by exposing the device to abnormal environmental conditions or by lack of care and maintenance.
- Damage to the device caused by abuse or incorrect use (for example overloading the device or the use of unapproved tools or accessories), ingress of foreign bodies into the device (such as sand, stones or dust, transport damage), the use of force or damage caused by external forces (for example by dropping it).
- Damage to the device or parts of the device caused by normal or natural wear or tear or by normal use of the device.

4. Your Product is guaranteed for a period of 36 months from the original date of purchase and is intended for DIY (Do It Yourself) use only. Warranty excludes consumable parts. Guarantee claims should be submitted before the end of the guarantee period within two weeks of the defect being noticed. No guarantee claims will be accepted after the end of the guarantee period. The original guarantee period remains applicable to the device even if repairs are carried out or parts are replaced. In such cases, the work performed or parts fitted will not result in an extension of the guarantee period, and no new guarantee will become active for the work performed or parts fitted. This also applies if an on-site service is used.

IN ORDER TO MAKE A CLAIM UNDER THIS WARRANTY YOU MUST RETURN THE PRODUCT TO THE PLACE OF PURCHASE WITH YOUR REGISTER RECEIPT.

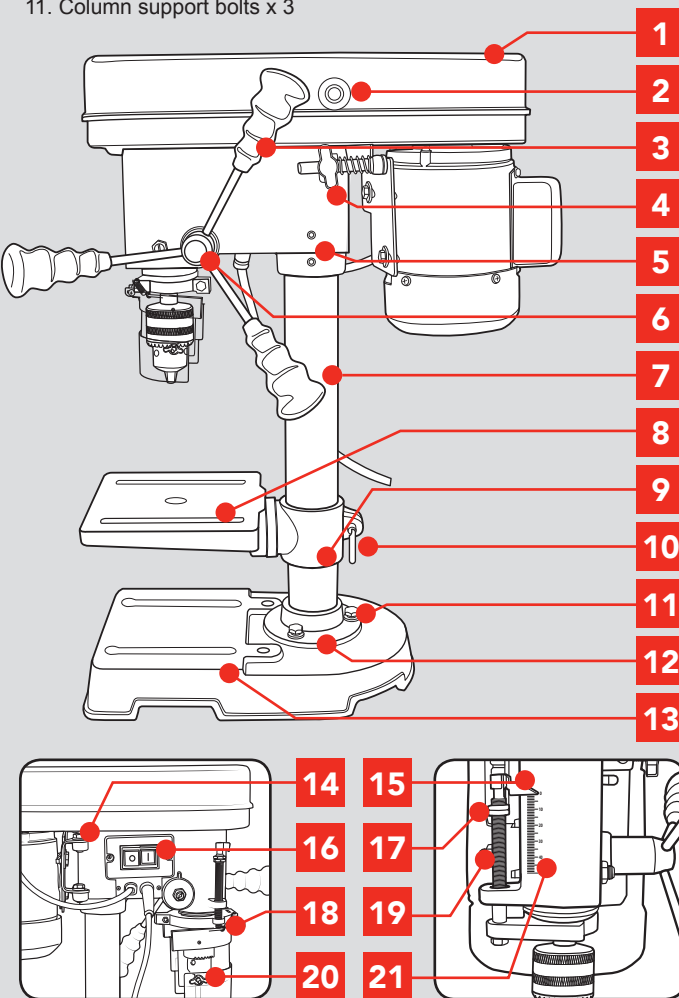
Please refer to the restrictions of this warranty concerning wearing parts, consumables and missing parts as set out in the service information in these operating instructions.

CUSTOMER SERVICE HELPLINE
GB: 0151 294 4488
IRE: 1850 882711
Ozito-diy.co.uk

KNOW YOUR PRODUCT

DRILL PRESS

- Pulley cover
- Feed wheel knob
- Belt tension knob
- Head lock screw
- Head lock screws
- Feed wheel hub
- Column
- Table
- Table support
- Table support lock
- Column support bolts x 3
- Column support
- Base
- Head assembly
- Depth indicator
- ON/OFF Switch
- Depth indicator lock nuts
- Depth rod support
- Depth rod
- 13mm Keyed chuck
- Depth scale



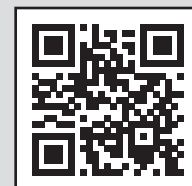
ACCESSORIES

- Chuck key
- 3mm Hex key
- 4mm Hex key



ONLINE MANUAL

Scan this QR Code with your mobile device to take you to the online manual.



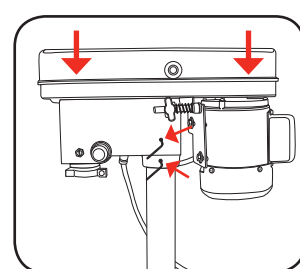
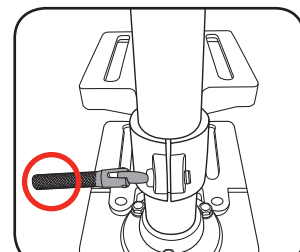
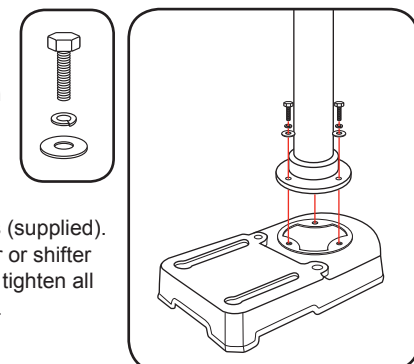
SETUP & PREPARATION

1. ASSEMBLY

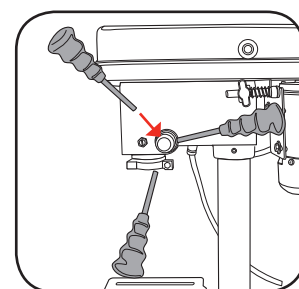
WARNING! DURING ASSEMBLY ENSURE THE DRILL PRESS IS DISCONNECTED FROM THE POWER SUPPLY.

Assembling the drill press

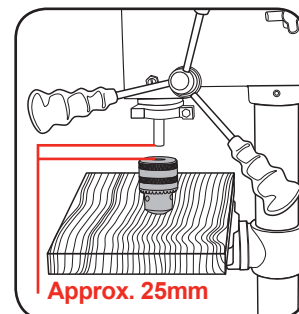
- Carefully remove contents from the packaging.
- Select a firm, level surface on which to assemble the drill press.
- Select the base and align the column over the large hole. Align the holes in the column support with those in the base and secure in place using the 3 column support bolts, spring and flat washers (supplied). Using a 12mm spanner or shifter (not supplied) securely tighten all 3 column support bolts.
- Slide the table support over the column. Using the table support lock, secure the table into the desired position.
- Lift the head assembly and slide it down onto the column as far as it will go. To secure in position install the two head lock screw. Tighten using the 4mm Hex key, rotating in a clockwise direction.



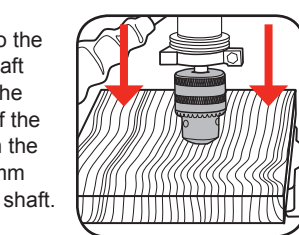
- To fit the feed wheel handles, screw them into the feed wheel hub.



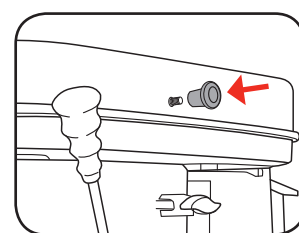
- To fit the 13mm keyed chuck, first place a piece of timber on the table and position the 13mm keyed chuck with the jaws retracted under the drive shaft. Raise the table toward the drive shaft until the 13mm keyed chuck is approximately 25mm from the drive shaft.



- To secure the 13mm keyed chuck to the drive shaft gently lower the drive shaft using the feed wheel handles until the drive shaft is pushed into the rear of the 13mm keyed chuck. A gentle tap on the timber is required to secure the 13mm keyed chuck onto the tapered drive shaft.

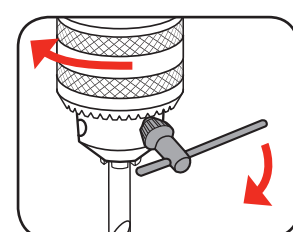
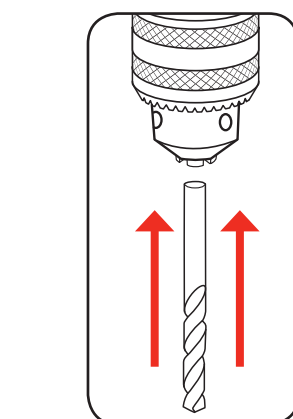
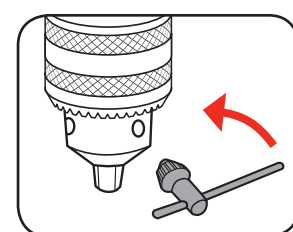


- Fit the pulley cover knob to the pulley cover by using the pulley cover knob assembly (supplied).



Installing and removing drill bits

- Using the chuck key, loosen the jaws of the chuck by rotating in an anti-clockwise direction.
- Insert the drill bit fully into the 13mm keyed chuck.
- Whilst holding the drill bit in one hand, rotate the top collar of the 13mm keyed chuck in a clockwise direction. Ensure that you tighten all 3 holes in the 13mm keyed chuck using the chuck key to securely tighten the jaws and hold the drill bit in position.



ADJUSTMENTS

2. HEIGHT & ANGLE ADJUSTMENTS

WARNING! BEFORE MAKING ANY ADJUSTMENTS, ENSURE THE DRILL PRESS IS DISCONNECTED FROM THE MAINS POWER.

Adjusting the table height

- Loosen the table support lock.
- Set the desired table height and tighten the table support lock to secure the table in position.

Adjusting the table angle

The table can be adjusted up to 45° to the left or right.

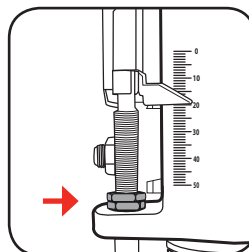
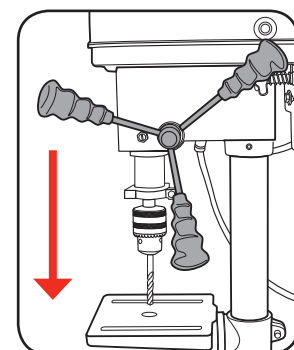
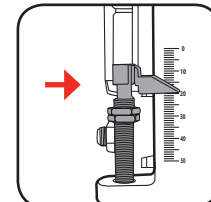
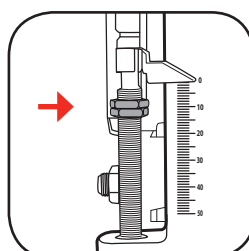
- Loosen the table support angle bolt (located below the table) by rotating anti-clockwise using an 18mm spanner or shifter (not supplied).
- Align and set the desired angle. Tighten the table support angle bolt by rotating in a clockwise direction to secure the table in position.

CAUTION! WHEN THE TABLE IS ANGLED/TILTED, ENSURE THE WORKPIECE IS CLAMPED TO THE TABLE.

3. DEPTH ADJUSTMENTS

Pre-setting the drilling depth

- Loosen the depth indicator lock nuts by turning in an anti-clockwise direction.
- Ensure the drill bit is secure in the 13mm keyed chuck and tightened correctly. Lower the feed wheel handles to the desired depth using the depth scale.
- Whilst holding the feed wheel handles, tighten the depth indicator lock nuts until they touch the metal stop.
- Lift the feed wheel handles up and then proceed to operate the drill press.
- To disable the depth lock loosen the depth indicator lock nuts and reset to the desired position. Having these in the highest position on the depth rod will provide maximum drilling capacity.

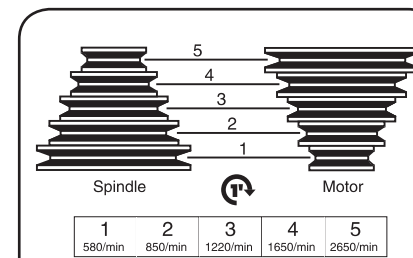


4. SPEED ADJUSTMENTS

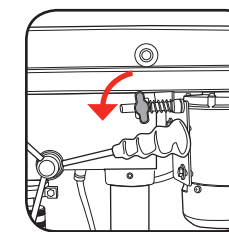
Changing the speed

The speed of the drill press can be changed by adjusting the belt on the pulley system.

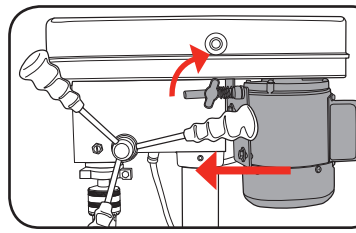
Using a smaller pulley on the spindle/chuck increases the drill speed. Using a larger pulley on the spindle/chuck decreases the drill speed.



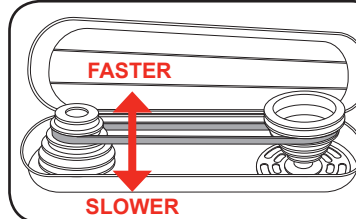
- Loosen the belt tension knob



- Push the motor towards the head assembly and tighten the belt tension knob.



- To adjust the belt speed, move the belt to the correct pulley step for the speed required.

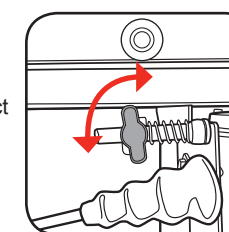


To select a faster drill speed, move the belt up to a smaller step on the spindle/chuck pulley.

To select a slower drill speed move the belt down to a larger step on the spindle/chuck pulley.

When moving the belt, it is easier to place the belt onto the small pulley first and then turn it onto the larger pulley.

- To apply tension to the belt once it has been fitted to a new speed setting, loosen the belt tension knob. The belt tension will automatically tension the belt to the correct tension, then re-tighten the belt tension knob.

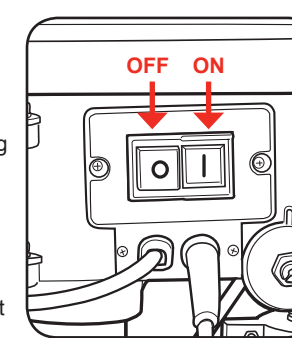


OPERATION

Turning On and Off

WARNING! THE POWER SUPPLY FOR THIS PRODUCT SHOULD BE PROTECTED BY A RESIDUAL CURRENT DEVICE (RATED AT 30MA OR LESS). A RESIDUAL CURRENT DEVICE REDUCES THE RISK OF ELECTRIC SHOCK.

- Switch the drill press on by pressing the green (I) button on the switch.
- Switch the drill press off by pressing the red (O) button on the switch.
- Secure your workpiece to the table if possible, use a vice or clamps (not supplied).



Operating the drill press

- Ensure the drill press is switched off and disconnected from the power supply.
- Loosen the jaws of the 13mm keyed chuck with the chuck key by turning in an anti-clockwise direction and insert the selected drill bit into the 13mm keyed chuck as far as it will go.
- Ensure that the drill bit is centred in the 13mm keyed chuck and tighten the chuck jaws with the chuck key in a clockwise direction. Tighten all three holes to ensure the drill bit is secured evenly by each jaw.
- Select your drilling depth and secure the depth indicator lock nuts in position.

