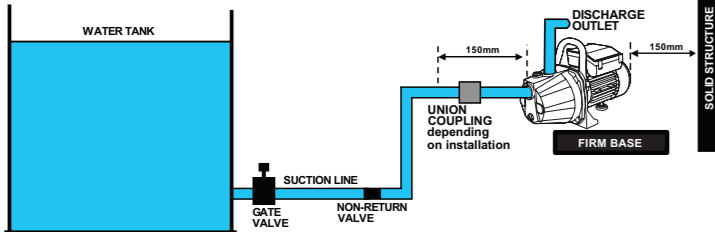
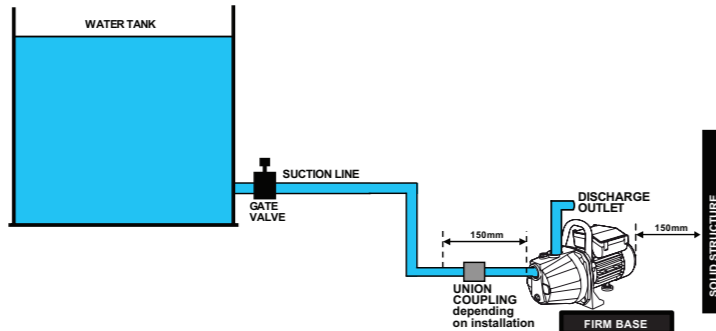


INSTALLATION

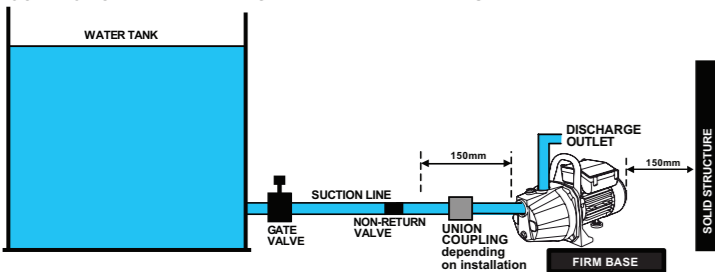
RECOMMENDED SET-UP CONNECTION WITH TANK BASE BELOW WATER PUMP



RECOMMENDED SET-UP CONNECTION WITH TANK BASE ABOVE THE WATER PUMP



RECOMMENDED SET-UP CONNECTION WITH TANK BASE LEVEL WITH WATER PUMP



WARNING! The input hose or pipe should be low enough in the water to ensure that if the water level falls, the pump will not run dry. Ensure that this is checked when in operation.

NOTE: A leaking hose or pipe will draw in air and therefore not draw in any water.

Positioning the Hose or Pipe

Position the input hose or pipe so that it rises from the water drawing source to the pump. Avoid positioning the input hose or pipe higher than the pump, as this would delay the escape of air bubbles from the input hose or pipe and impede the priming process (see section 'starting the pump' for description on priming the pump)

TROUBLESHOOTING

Problem	Possible Cause	Solution
The pump does not start, or pump water	Pump is not connected to the power supply Pump is blocked Pump is not connected to the water supply	Check that the pump is connected to the mains power supply Disconnect the pump from the mains power. Inspect the discharge outlet and filter Ensure the pump is connected to the water supply
The pump does not supply water when the motor is running	The pump has not been primed Suction line is leaking The pump is sucking air Pump is blocked Pump is not producing enough pressure Water source does not have enough water The suction height is too high The hose diameter is too small	Fill the pump with water, ensure the suction line and pump are filled with water Check the suction line for leaks and replace hose or pipe if it is damaged or worn Ensure all connections and fittings are secured tightly Disconnect the mains power and check the discharge outlet and filter for any foreign matter Check all parts of the pump and clean Wait until the water source increases so the pump can operate Ensure the suction height is no higher than 8m Ensure the hose diameter is at least 25mm (suction line) and 19mm (discharge line)
Tube or piping does not stay on the male thread when water is travelling through	The hose or tubing may be worn or vary slightly with the dimensions	Add a hose clamp to prevent leaks and secure the hose or pipe
The pump operates intermittently	There is a water leak in the household plumbing The voltage is out of range Air flow is not allowing the motor to cool The motor is faulty or damaged	Inspect and fix any leaks Supply the pump in accordance with the rating label requirements (230-240V) Ensure the pump is in a well ventilated area Contact Ozito customer service
Poor Performance low pressure flow	Faulty suction line	Check all the suction lines for leaks or any damage. Replace if they are faulty and check that you are using a reinforced hose to prevent the hose from collapsing

ELECTRICAL SAFETY

WARNING! When using mains-powered tools, basic safety precautions, including the following, should always be followed to reduce risk of fire, electric shock, personal injury and material damage.

Read and understand the manual prior to operating this pump.

Save these instructions and other documents supplied with this pump for future reference. The electric motor has been designed for 230V and 240V only. Always check that the power supply corresponds to the voltage on the rating plate.

Note: The supply of 230V and 240V on Ozito pumps are interchangeable for Australia and New Zealand. This pump is earthed in accordance with AS/NZS 60335-2-41.

Note: The power outlet used for the water pump is recommended to be protected by a 30mA residual current

device or earth leakage circuit breaker. If the power outlet is external, ensure that it is weather proof. If the supply cord is damaged, it must be replaced by an electrician or a power tool repairer to avoid a hazard. The water pump has a built-in thermal protection overload switch. The water pump stops if an overload occurs. The motor restarts automatically after it has cooled down.

Using an Extension Lead

Always use an approved extension lead suitable for the power input of this product. Before use, inspect the extension lead for signs of damage, wear and ageing. Replace the extension lead if damaged or defective. Then using an extension lead on a reel, always unwind the lead completely. Use of an extension lead not suitable for the power input of this product or which is damaged or defective may result in a risk of fire and electric shock.

GENERAL SAFETY WARNINGS

WARNING! Read all safety warnings and all instructions. Failure to follow the warnings and instructions may result in electric shock, fire and/or serious injury.

Save these instructions

- Work area safety**
 - Keep work area clean and well lit. Cluttered or dark areas invite accidents.
 - Do not operate pumps in explosive atmospheres, such as in the presence of flammable liquids, gases or dust. Pumps create sparks which may ignite the dust or fumes.
 - Keep children and bystanders away while operating a pump. Distractions can cause you to lose control.
- Electrical safety**
 - Pump plugs must match the outlet. Never modify the plug in any way. Do not use any adapter plugs with earthed (grounded) pumps. Unmodified plugs and matching outlets will reduce risk of electric shock.
 - Avoid body contact with earthed or grounded surfaces, such as pipes, radiators, ranges and refrigerators. There is an increased risk of electric shock if your body is earthed or grounded.
 - Do not abuse the cord. Never use the cord for carrying, pulling or unplugging the pump. Keep cord away from heat, oil, sharp edges or moving parts. Damaged or entangled cords increase the risk of electric shock.
 - When operating a pump, use an extension cord suitable for wet conditions. Use of a cord suitable for wet use reduces the risk of electric shock.
 - If operating a pump, use a residual current device (RCD) protected supply. Use of an RCD reduces the risk of electric shock.
- Personal safety**
 - Stay alert, watch what you are doing and use common sense when operating a pump. Do not use a pump while you are tired or under the influence of drugs, alcohol or medication. A moment of inattention while operating a pump may result in serious personal injury.
 - Avoid accidental starting. Ensure the switch is in the off position before plugging in. Carrying pump with your finger on the switch or plugging in pumps that have the switch on invites accidents.
 - Avoid body contact with earthed or grounded surfaces such as pipes, radiators, ranges and refrigerators. There is an increased risk of electric shock if your body is earthed or grounded.

- When operating a pump outdoors, use an extension cord suitable for outdoor use. Use of a cord suitable for outdoor use reduces the risk of electric shock.

- Pump use and care**
 - Disconnect the plug from the power source before making any adjustments, changing accessories, or storing pumps. Such preventive safety measures reduce the risk of starting the pump accidentally.
 - Maintain pumps. Check for misalignment or binding of moving parts, breakage of parts and any other condition that may affect the pumps operation. If damaged, have the pump repaired before use. Many accidents are caused by poorly maintained pumps.
 - Use the pump, and accessories etc., in accordance with these instructions and in the manner intended for the particular type of pump, taking into account the working conditions and the work to be performed. Use of the pump for operations different from intended could result in a hazardous situation.
- Service**
 - Have your pump serviced by a qualified repair person using only identical replacement parts. This will ensure that the safety of the pump is maintained.
 - If the supply cord is damaged, it must be replaced by the manufacturer, its service agent or similarly qualified persons in order to avoid a hazard.

ADDITIONAL SAFETY INSTRUCTIONS FOR PUMPS

WARNING! This product is intended for pumping water in a Home Domestic application. Do not use it for corrosive, abrasive, explosive or dangerous liquids. Fluids other than water will damage the water pump and/or create a fire hazard. Failure to follow all instructions listed below may result in electric shock, fire and/or serious injury.

WARNING! This product is not suitable for use with drinking (potable) water.

This appliance is not intended for use by person (including children) with reduced physical, sensory or mental capabilities, or lack of experience and knowledge, unless they have been given supervision or instruction concerning use of the appliance by a person responsible for their safety.

- Children should be supervised to ensure that they do not play with the appliance.
- Ensure the water pump is disconnected from mains power when installing.
 - Do not install or operate the water pump in an explosive environment or near flammable material.
 - Do not operate the water pump without liquid.
 - Do not run the water pump dry.

WARNING! The water pump together with associated pipework operate under pressure. Do not disconnect water pump or pipework until internal pressure has been released. Failure to do this could result in personal injury and damage to property.

- Avoid inserting hands into the inlets/outlets of the water pump while it is connected to power.
 - Before using the water pump, always inspect it visually. Do not use the pump if it is cracked and/or damaged.
 - If the water pump is damaged, contact Ozito customer service.
 - The water pump has a built-in thermal protection overload switch. The water pump stops if an overload occurs. The motor restarts automatically after it has cooled down.
 - The pump must not be used when people are in the water.
 - Never work or perform maintenance on the pump without first making sure it has been disconnected from the mains power.
 - Pollution of the liquid could occur due to leakage of lubricants important: Avoid inserting hands into the mouth of the pump if it is connected to the mains.
- The electrical connection must always be made in a dry area. Make sure that electrical connections are protected from inundations.
- Protect the plug and the power cable from heat, oil or sharp edges.
- If damaged, The power cable must be replaced by a qualified electrician.

SPARE PARTS

Spare parts can be ordered from the Special Orders Desk at your local Bunnings Warehouse.

For further information, or any parts not listed here, visit www.ozito.com.au or contact Ozito Customer Service: Australia 1800 069 486 New Zealand 0508 069 486 E-mail: enquires@ozito.com.au

CARING FOR THE ENVIRONMENT

Power tools that are no longer usable should not be disposed of with household waste but in an environmentally friendly way. Please recycle where facilities exist. Check with your local council authority for recycling advice.

Recycling packaging reduces the need for landfill and raw materials. Reuse of recycled material decreases pollution in the environment. Please recycle packaging where facilities exist. Check with your local council authority for recycling advice.

ozito

TRANSFER WATER PUMP

600W
INSTRUCTION MANUAL

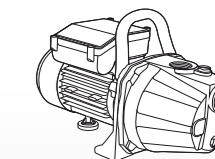
SPECIFICATIONS

Motor: 600W
Max. Flow Rate: 3,600/h
Max. Lift: 8m
Max. Head: 40m
Outlet & Inlet: 25mm (1")Female
Max. Delivery Pressure: 4.0 bar
Water Temp.: 1°C - 35°C
Hmin=: 2m
Weight: 10kg

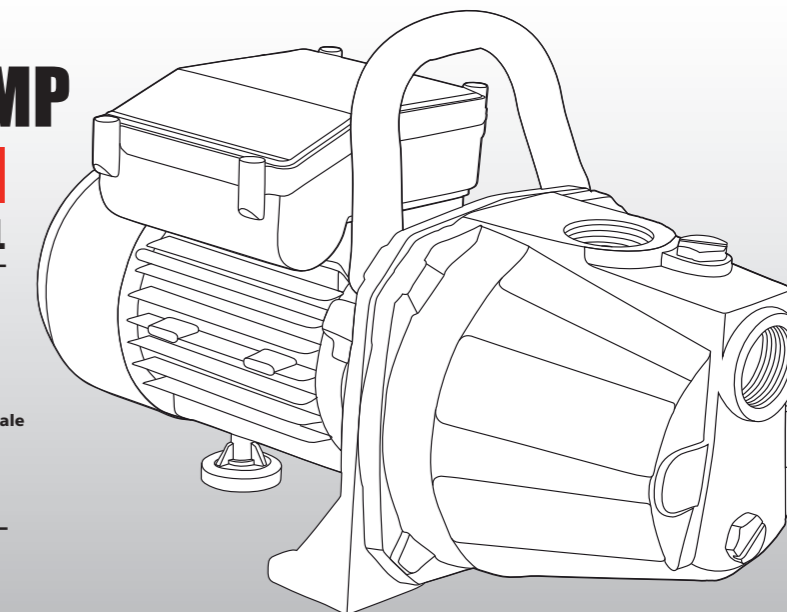
ozito.com.au

3 YEAR REPLACEMENT WARRANTY

WHAT'S IN THE BOX



Transfer Water Pump



TRP-650

WARRANTY

IN ORDER TO MAKE A CLAIM UNDER THIS WARRANTY YOU MUST RETURN THE PRODUCT TO YOUR NEAREST BUNNINGS WAREHOUSE WITH YOUR BUNNINGS REGISTER RECEIPT. PRIOR TO RETURNING YOUR PRODUCT FOR WARRANTY PLEASE TELEPHONE OUR CUSTOMER SERVICE HELPLINE:

Australia 1800 069 486
New Zealand 0508 069 486

TO ENSURE A SPEEDY RESPONSE PLEASE HAVE THE MODEL NUMBER AND DATE OF PURCHASE AVAILABLE. A CUSTOMER SERVICE REPRESENTATIVE WILL TAKE YOUR CALL AND ANSWER ANY QUESTIONS YOU MAY HAVE RELATING TO THE WARRANTY POLICY OR PROCEDURE.

The benefits provided under this warranty are in addition to other rights and remedies which are available to you at law. Our goods come with guarantees that cannot be excluded at law. You are entitled to a replacement or refund for a major failure and for compensation for any other reasonably foreseeable loss or damage. You are also entitled to have the goods repaired or replaced if the goods fail to be of acceptable quality and the failure does not amount to a major failure.

Generally you will be responsible for all costs associated with a claim under this warranty, however, where you have suffered any additional direct loss as a result of a defective product you may be able to claim such expenses by contacting our customer service helpline above.

3 YEAR REPLACEMENT WARRANTY

Your product is guaranteed for a period of **36 months from the original date of purchase** and is intended for DIY (Do It Yourself) use only. If a product is defective it will be replaced in accordance with the terms of this warranty. Warranty excludes consumable parts, for example: O-rings, bearing, seals gaskets.

WARNING

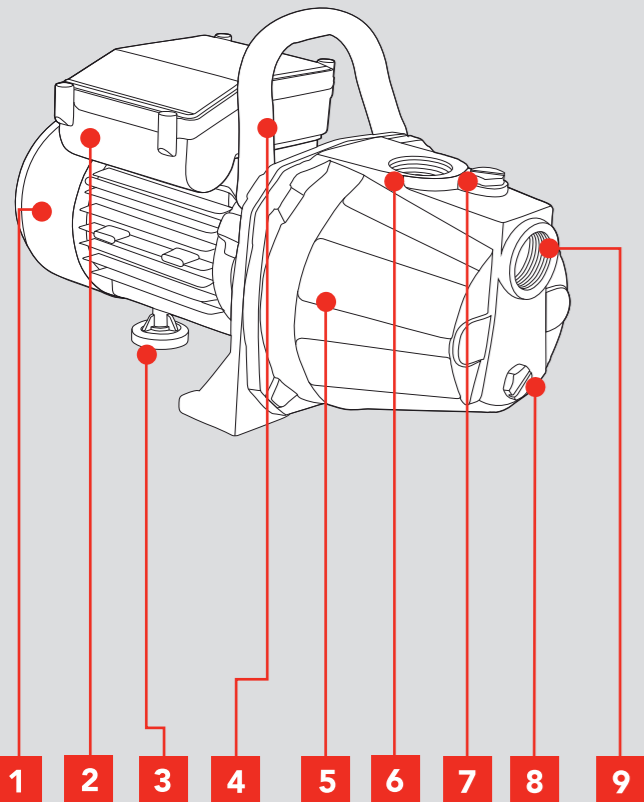
The following actions will result in the warranty being void.

- If the tool has been operated on a supply voltage other than that specified on the tool.
- If the tool shows signs of damage or defects caused by or resulting from abuse, accidents or alterations.
- Failure to perform maintenance as set out within the instruction manual.
- If the tool is disassembled or tampered with in any way.

KNOW YOUR PRODUCT

TRANSFER PUMP

- | | |
|--------------------|--------------------|
| 1. Induction Motor | 6 Discharge Outlet |
| 2. Electrical Box | 7 Priming Screw |
| 3 Adjustable Foot | 8 Drain Plug |
| 4 Carry Handle | 9 Suction Inlet |
| 5 Pumping Housing | |



ONLINE MANUAL

Scan this QR Code with your mobile device to take you to the online manual.



3 YEAR REPLACEMENT WARRANTY

SETUP & PREPARATION

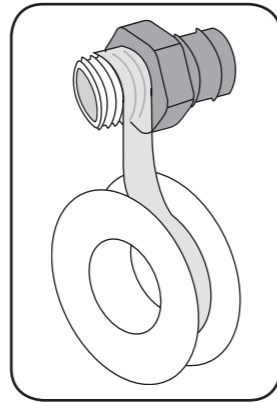
1. SUCTION INLET

Ensure the pump is disconnected from the power supply before performing any of the following operations.

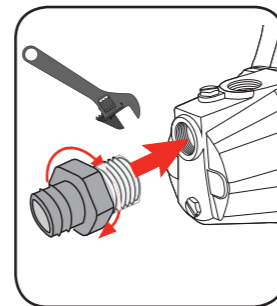
Preparing the Pump: Your pump requires no assembly before use other than the connection of a suitable inlet/outlet hose and hose connections (not included).

Connecting Hose or Pipe to the Suction Inlet

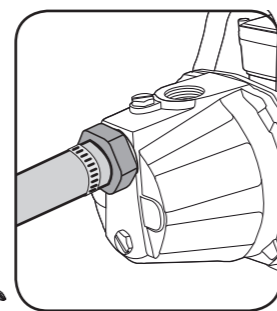
1. Teflon tape (not included) is required on threads to ensure a water tight seal and prevent any leakage. Wind Teflon clockwise on fittings



2. Remove the plastic protection cover from the suction inlet and insert a 1" male threaded hose adaptor (not included). Tighten firmly with a spanner (not included).



3. Securely attach the input hose or pipe to the other end of the adaptor. Ensure you have the correct diameter hose or pipe that is compatible with your water drawing source.



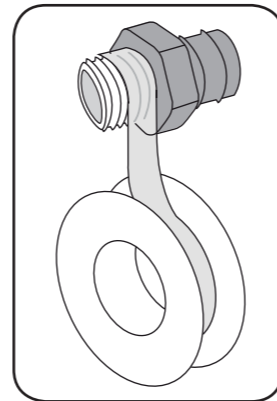
NOTE: The input hose or pipe you are using must have a minimum diameter of 25.4mm (1").

NOTE: Ensure the input hose or pipe is not restricted in any way.

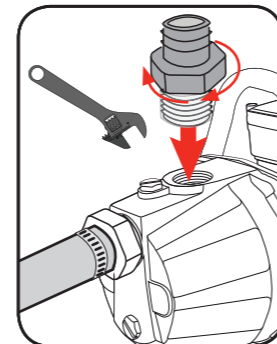
2. DISCHARGE OUTLET

Connecting Hose or Pipe to the Discharge Outlet

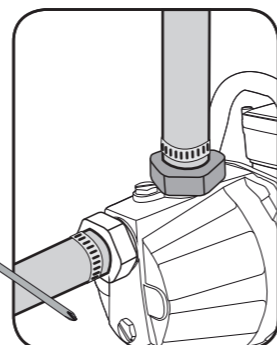
1. Teflon tape (not included) is required on threads to ensure a water tight seal and prevent any leakage. Wind Teflon clockwise on fittings



2. Remove the plastic protection cover from the discharge outlet and insert a 1" male threaded hose adaptor (not included)..



3. Securely attach the output hose or pipe to the other end of the adaptor. Ensure you have the correct diameter hose or pipe that is compatible with your water discharge application.



NOTE: The discharge hose or pipe you are using must have a minimum diameter of 19mm (3/4").

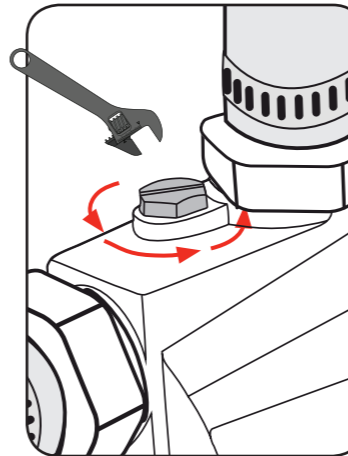
NOTE: Ensure the discharge hose or pipe is not restricted in any way and no pressure is obstructing the hose or pipe when the pump is in operation.

3. PRIMING THE PUMP

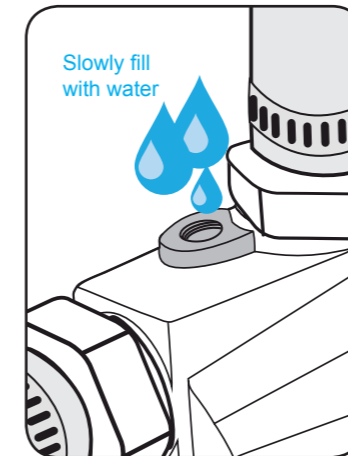
Priming the pump is required to purge air from the hose. Don't operate the pump without being primed.

1. Ensure the pump's on/off switch is in the off (0) position and off at the mains power.

2. Using a spanner or screwdriver remove the priming screw from the top of the pump housing by turning the screw counter clockwise.



3. Using a hose, fill the pump completely with water. Ensure the pump and inlet pipe or hose are full. Replace the priming screw.



WARNING! THIS PRODUCT IS INTENDED FOR PUMPING WATER IN A HOME DOMESTIC APPLICATION. DO NOT USE IT FOR CORROSIVE, ABRASIVE, EXPLOSIVE OR DANGEROUS LIQUIDS.

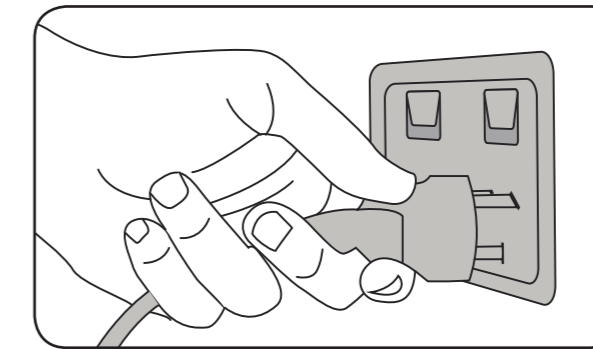
OPERATION

4. OPERATING THE PUMP

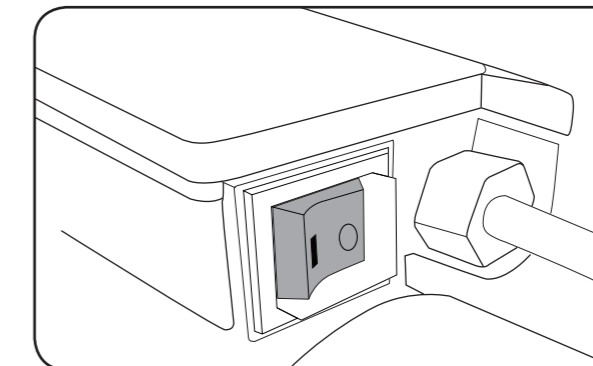
NOTE: When the pump is fully primed and air is flushed out, the pump is ready to operate. The pump may take several minutes to fully prime air from inside the pump and inlet pipe or hose.

The pump is recommended for use with a residual current device with a rated residual current of 30mA or less.

1. Turn the pump on at the mains power.



2. Depress the ON/OFF switch to the ON (1) position



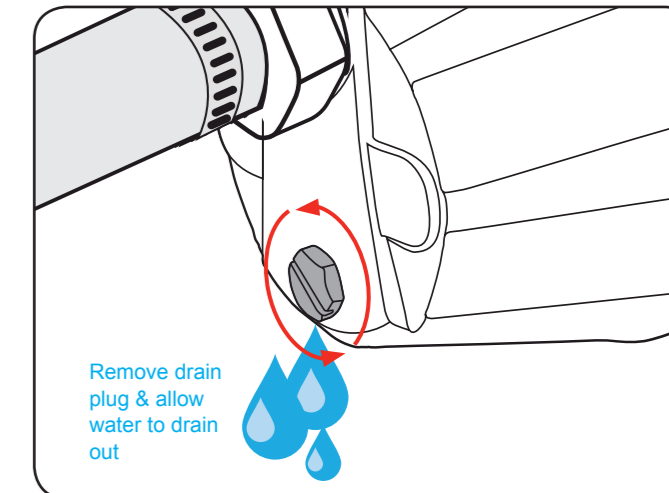
3. To turn the pump off, depress the ON/OFF switch to the OFF (0) position.

5. MAINTENANCE & STORAGE

Make sure the pump is disconnected from electric power supply before performing maintenance procedures.

1. Use a moist cloth to wipe down the pump housing. Allow to dry thoroughly before storing in a dry location that is protected from bad weather conditions.

2. Before storing the pump. It is recommended to drain the pump. Turn the drain plug anti-clockwise and remove from the pump. This will drain any excess water. Replace the drain plug by turning clockwise



NOTE: Ensure the gate valve on your water tank is not left open as this will allow water to drain from the water tank.